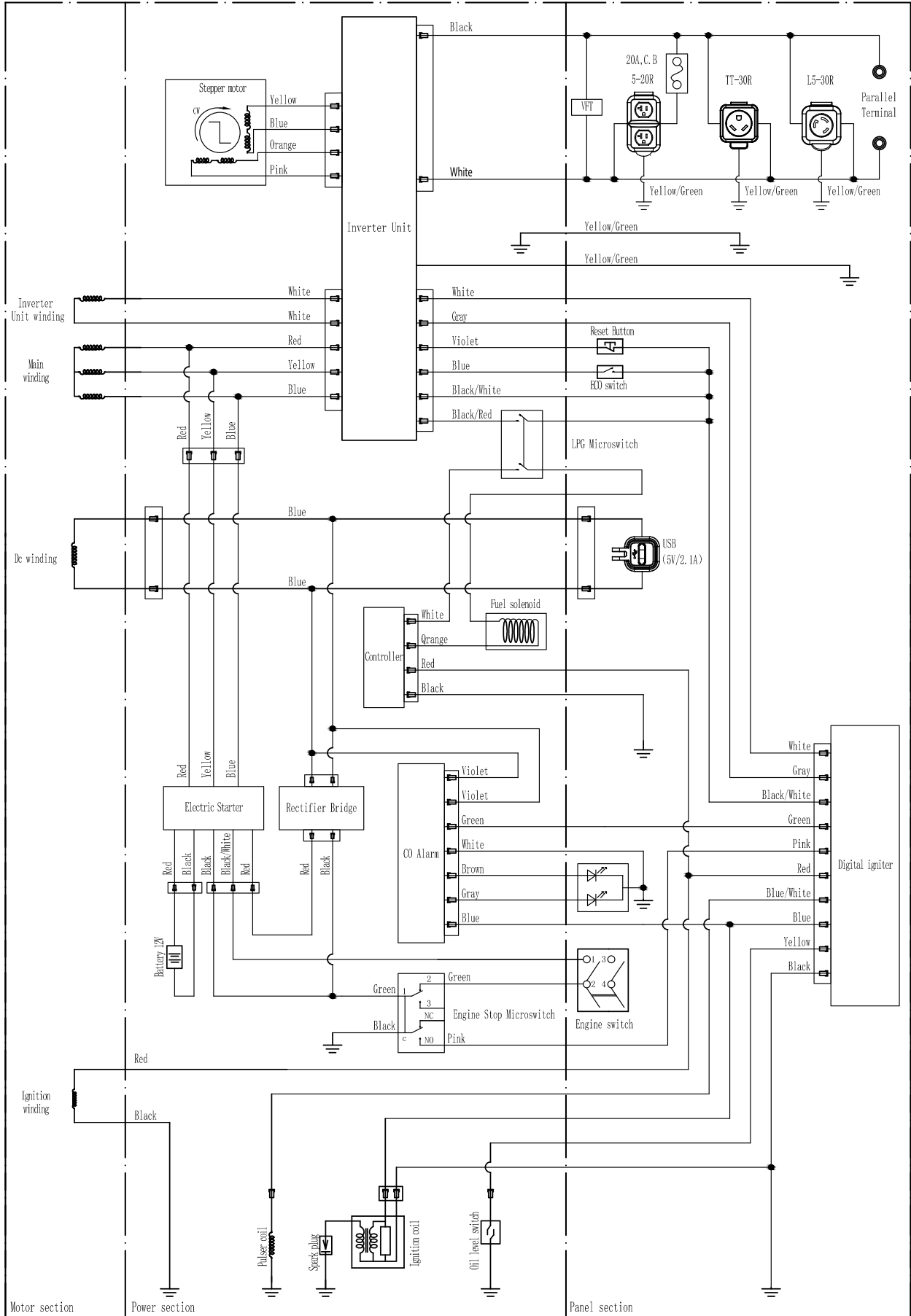


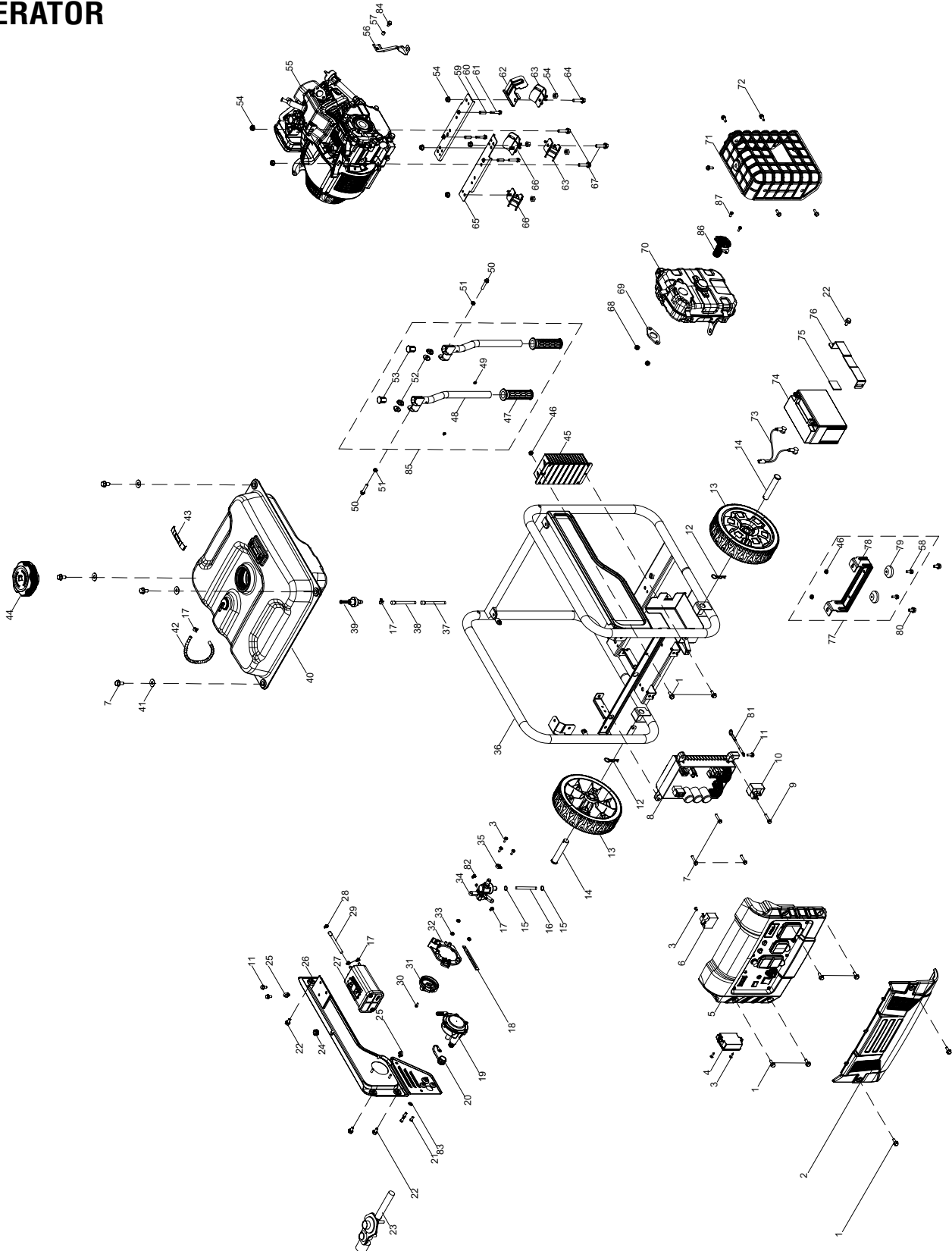
WIRING DIAGRAM



EXPLODED VIEW & PARTS LIST

NOTE: Replacement parts can be purchased from wenproducts.com, or by calling our customer service at **1-(800) 232-1195**, M-F 8-5 CST. Parts and accessories that wear down over the course of normal use are not covered by the three-year warranty. Not all parts may be available for purchase.

GENERATOR



EXPLODED VIEW & PARTS LIST

GENERATOR

NO.	PART NO.	DESCRIPTION	QTY.
1	DG4500iX-001	Bolt, M6x15	7
2	DG4500iX-002	Inverter Cover	1
3	DF430X-065	Screw, ST4.2x16	6
4	DG4500iX-004	CO Sensor Module	1
5	DG4500iX-005	Control Panel Assembly	1
6	DG4500iX-006	CO Sensor Engine Control Module	1
7	56500-017	Bolt, M6x25	7
8	DG4500iX-008	Inverter	1
9	DG4500iX-009	Bolt, M6x30	1
10	DG4500iX-010	Battery Charger	1
11	DG4500iX-011	Bolt, M6x10	3
12	56500-007	Circlip	2
13	56500-008	Wheel	2
14	DF430X-010	Pin, Ø16x85	2
15	DF430X-072	Clamp	2
16	DG4500iX-016	LPG Tube (9x17x92)	1
17	56500-052	Hose Clamp, 8mm	5
18	DG4500iX-018	Clip	1
19	DG4500iX-019	Secondary LPG Regulator	1
20	DF430X-074	LPG Inlet Cover	1
21	DF430X-075	Screw, M6x10	3
22	56500-1047	Bolt, M6x12	4
23	DF430X-044	Primary LPG Regulator	1
24	56500-010	Damping Pad	1
25	DF430X-073	Clip	2
26	DG4500iX-026	Left Panel	1
27	56500-049	Carbon Tank	1
28	DG4500iX-028	Clamp	1
29	DG4500iX-029	Carbon Tank Hose	1
30	DG4500iX-030	Screw, M4x10	1
31	DG4500iX-031	Fuel Selector Switch Knob	1
32	DG4500iX-032	Switch Seat	1
33	DG4500iX-033	Nut, M5	3

NO.	PART NO.	DESCRIPTION	QTY.
34	DG4500iX-034	Fuel Selector Switch	1
35	DG4500iX-035	Fuel Line Clamp, 16mm	1
36	DG4500iX-036	Frame Assembly	1
37	DG4500iX-037	Fuel Line Sleeve	1
38	DG4500iX-038	Fuel Line (4x8x310)	1
39	DG4500iX-039	Fuel Tank Outlet	1
40	DG4500iX-040	Fuel Tank Assembly	1
N.P.	DG4500iX-040.1	Fuel Gauge	1
41	56500-016	Washer, Ø6.5x2xØ25	4
42	DG4500iX-042	Breather Hose	1
43	56500-019	Fuel Gauge Clip	1
44	DG4500iX-044	Fuel Tank Cap	1
45	DG4500iX-045	Electric Start Module	1
46	56500-044	Nut, M6	3
47	56500-001	Handle Sleeve	2
48	DG4500iX-048	Handle	2
49	DG4500iX-049	Handle Pad	2
50	GN6000-005	Bolt, M8x40	2
51	GN6000-003	Nut, M8	2
52	DF430X-063	Washer	4
53	56500-001	Handle Plug	2
54	56500-036	Nut, M8	10
55	DG4500iX-055	Engine Assembly	1
56	DG4500iX-056	Air Filter Bracket	1
57	DG4500iX-057	Bushing, Ø12xØ6x8	1
58	DF430X-060	Bolt, M6x18	2
59	DG4500iX-059	Rear Engine Mounting Beam	1
60	DG4500iX-060	Bushing, Ø6.5xØ10x24	3
61	DG4500iX-061	Bolt, M6x35	3
62	DG4500iX-062	Heat Shield	1
63	DG4500iX-063	Right Engine Mount	2
64	DG4500iX-064	Bolt, M8x43	1
65	DG4500iX-065	Front Engine Mounting Beam	1
66	DG4500iX-066	Left Engine Mount	2

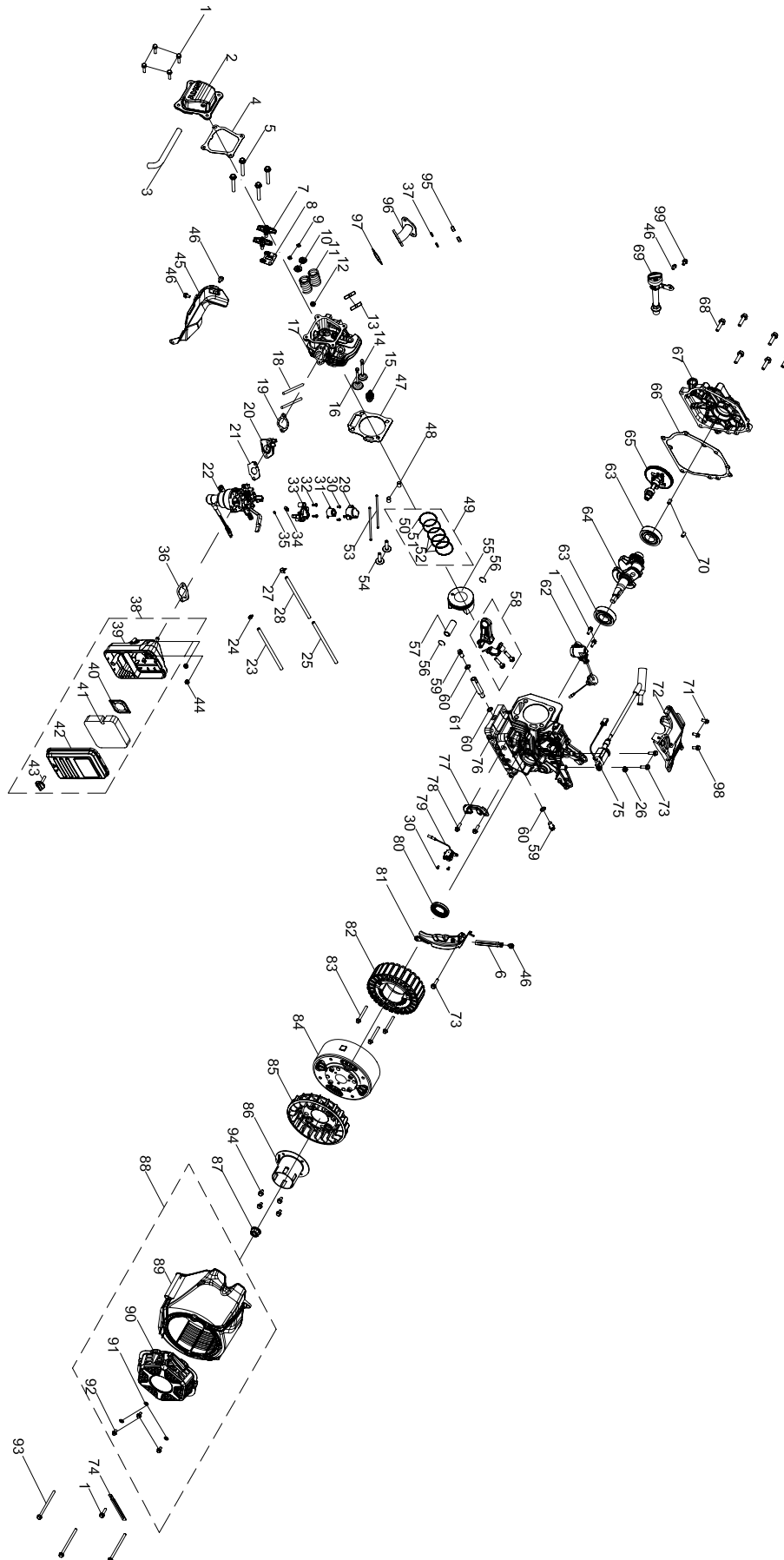
EXPLODED VIEW & PARTS LIST

GENERATOR

NO.	PART NO.	DESCRIPTION	QTY.	NO.	PART NO.	DESCRIPTION	QTY.
67	DG4500iX-067	Bolt, M8x35	3	80	56500-060	Bolt, M8x16	2
68	56500-025	Nut, M8	2	81	DG4500iX-081	Grounding Wire	1
69	DG4500iX-069	Muffler Gasket	1	82	56500-011	Clamp, 7.5mm	1
70	DG4500iX-070	Muffler Assembly	1	83	GN9500-062	Carburetor Drain Bolt Gasket	1
71	DG4500iX-071	Muffler Guard	1	84	DG4500iX-084	Bolt, M6x18	1
72	DG4500iX-072	Bolt, M6x10	5	85	DG4500iX-085	Handle Assembly	1
73	DG4500iX-073	Battery Wiring Harness	1	86	DG4500iX-086	Spark Arrester	1
74	DG4500iX-074	Battery	1	87	DG4500iX-087	Bolt, M5x12	2
75	DG4500iX-075	Rubber Pad	1	N.P.	DG4500iX-HA36	High-Altitude Kit, 3000 - 6000 ft	0
76	DG4500iX-076	Battery Bracket	1	N.P.	DG4500iX-HA69	High-Altitude Kit, 6000 - 9800 ft	0
77	DF430X-057	Support Base Assembly	1	N.P.	DG4500iX-418	Hex Wrench, 5mm	1
78	DF430X-058	Support Base	1	N.P.	DG4500iX-HW	Hardware Bag	1
79	DF430X-059	Foot	2				

EXPLODED VIEW & PARTS LIST

ENGINE



EXPLODED VIEW & PARTS LIST

ENGINE

NO.	PART NO.	DESCRIPTION	QTY.
1	GN9500-101	Bolt, M6x16	7
2	DG4500iX-102	Cylinder Head Cover	1
3	DG4500iX-103	Breather Hose	1
4	DF430X-076	Cylinder Head Cover Gasket	1
5	DG4500iX-105	Bolt, M8x60	4
6	DF430X-141	Clip	1
7	DG4500iX-107	Rocker Arm Assembly	2
8	DF430X-080	Rocker Arm Base	1
9	DF430X-082	Valve Locker	4
10	56500-114	Valve Spring Seat	2
11	DF430X-083	Valve Spring	2
12	56500-116	Intake Valve Seal	1
13	DG4500iX-113	Stud, M8x34	2
14	DF430X-100	Exhaust Valve	1
15	56310i-0104	Spark Plug, Torch F6RTC (NGK BPR6ES)	1
16	DF430X-101	Intake Valve	1
17	DG4500iX-117	Cylinder Head Assembly	1
18	DG4500iX-118	Stud, M6x98	2
19	DF430X-088	Carburetor Insulator Gasket	1
20	DG4500iX-120	Insulator	1
21	DF430X-090	Carburetor Gasket	1
22	DG4500iX-122	Carburetor	1
23	DG4500iX-123	LPG Hose, 9x17x420	1
24	DF430X-139	LPG Hose Clamp, 16mm	1
25	DG4500iX-125	Fuel Line Sleeve	1
26	DG4500iX-126	Clamp, 25mm	1
27	DG4500iX-127	Clamp, 8mm	1
28	DG4500iX-128	Fuel Line, 4x8x325	1
29	DG4500iX-129	Stepper Motor Cover	1
30	DG4500iX-130	Screw, M4x6	4
31	DG4500iX-131	Stepper Motor	1

NO.	PART NO.	DESCRIPTION	QTY.
32	DG4500iX-132	Screw, M4x12	2
33	DG4500iX-133	Stepper Motor Base	1
34	DG4500iX-134	Guide Clamp	1
35	DG4500iX-135	Spring	1
36	DF430X-093	Air Filter Gasket	1
37	DG4500iX-137	Washer, Ø8	2
38	DG4500iX-138	Air Filter Assembly	1
39	DG4500iX-139	Air Filter Base Assembly	1
40	56500-133	Air Filter Baffle	1
41	56500-134	Air Filter Element	1
42	DF430X-096	Air Filter Cover	1
43	56500-136	Knob	1
44	DG4500iX-144	Nut, M6	2
45	DF430X-081	Shroud	1
46	GN9500-184	Bolt, M6x10	4
47	DG4500iX-147	Cylinder Head Gasket	1
48	DF430X-098	Pin, Ø10x16	2
49	DG4500iX-149	Piston Ring Set	1
50	DG4500iX-150	Piston Ring 1	1
51	DG4500iX-151	Piston Ring 2	1
52	DG4500iX-152	Oil Ring	1
53	DG4500iX-153	Push Rod	2
54	DG4500iX-154	Valve Tappet	2
55	DG4500iX-155	Piston	1
56	56500-147	Circlip	2
57	DG4500iX-157	Piston Pin	1
58	DF430X-105	Connecting Rod Assembly	1
59	56500-179	Grounding Bolt, M10-1.25x15	2
60	56500-180	Washer, Ø10x1.5xØ16	3
61	DG4500iX-161	Oil Drain Tube	1
62	DG4500iX-162	Oil Sensor	1
63	DF430X-109	Bearing, TM6205	2
64	DG4500iX-164	Crankshaft Assembly	1

EXPLODED VIEW & PARTS LIST

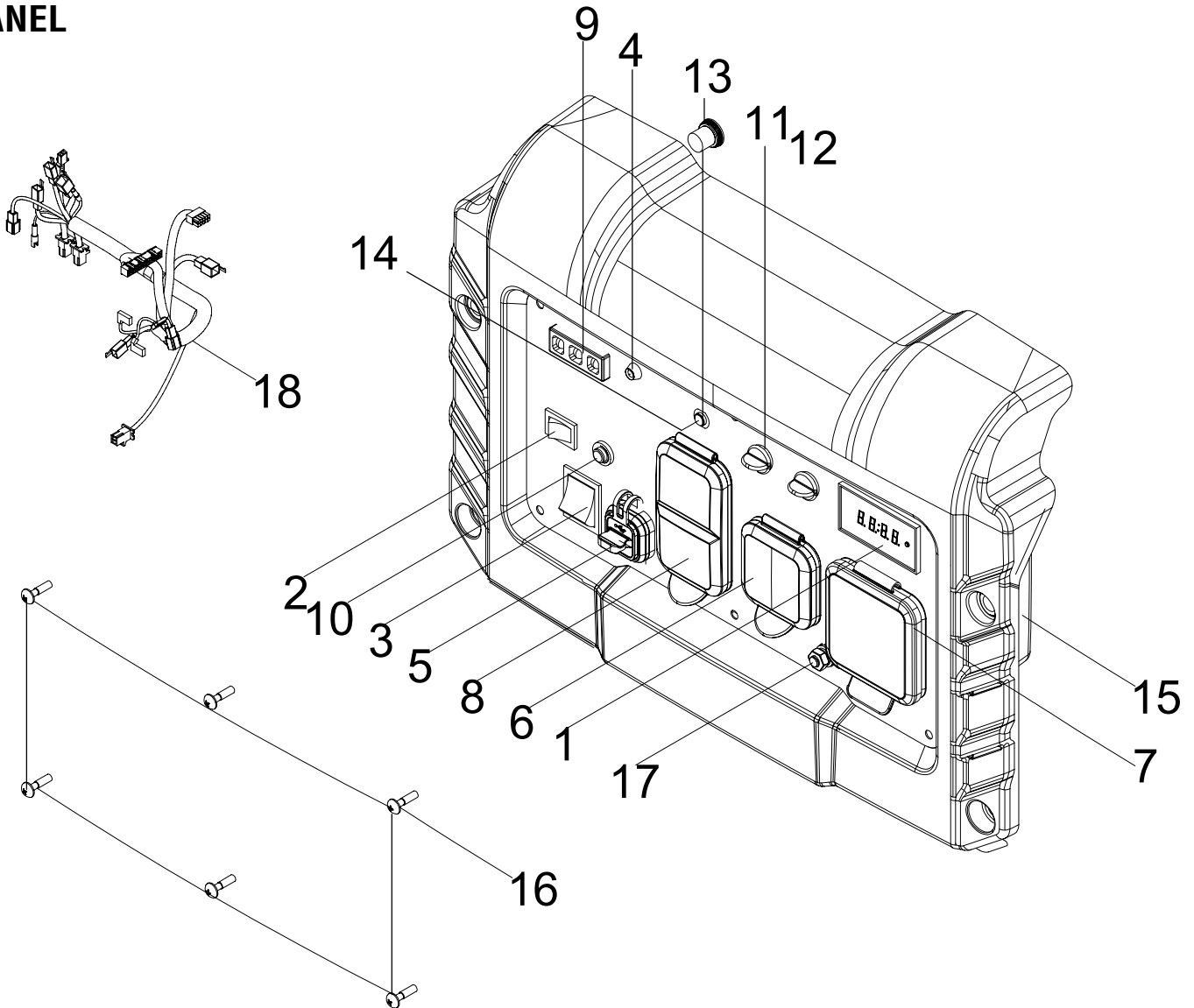
ENGINE

NO.	PART NO.	DESCRIPTION	QTY.
65	DG4500iX-165	Camshaft Assembly	1
66	DG4500iX-166	Crankcase Gasket	1
67	DG4500iX-167	Crankcase Cover	1
68	DF430X-106	Bolt, M8x32	6
69	DG4500iX-169	Dipstick	1
70	56500-156	Pin, Ø8x14	2
71	DF430X-115	Bolt, M6x12	2
72	DG4500iX-172	Top Cover	1
73	DF430X-125	Bolt, M6x20	3
74	56500-178	Clip	1
75	DG4500iX-175	Ignition Coil	1
76	DG4500iX-176	Crankcase	1
77	DG4500iX-177	Trigger Support	1
78	DG4500iX-178	Bolt, M6x12	2
79	DG4500iX-179	Trigger	1
80	DF430X-126	Oil Seal, Ø25xØ41.25x6	1
81	DG4500iX-181	Lower Shield	1
82	DG4500iX-182	Stator Assembly	1

NO.	PART NO.	DESCRIPTION	QTY.
83	DG4500iX-183	Bolt, M6x50	3
84	DG4500iX-184	Rotor Assembly	1
85	DG4500iX-185	Cooling Fan	1
86	DG4500iX-186	Starter Cup	1
87	56500-188	Nut, M14-1.5	1
88	DG4500iX-188	Recoil Starter Assembly	1
89	DG4500iX-189	Recoil Starter Housing	1
90	DG4500iX-190	Recoil Starter	1
91	DG4500iX-191	Washer, Ø6	3
92	DG4500iX-192	Bolt, M6x10	3
93	DG4500iX-193	Bolt, M6x100	3
94	DG4500iX-194	Bolt, M6x14	4
95	DG4500iX-195	Nut, M8	2
96	DG4500iX-196	Exhaust Pipe	1
97	DG4500iX-197	Muffler Gasket	1
98	DG4500iX-198	Bolt, M6x20	1
99	DG4500iX-199	Bolt, M6x15	1

EXPLODED VIEW & PARTS LIST

PANEL



NO.	PART NO.	DESCRIPTION	QTY.
1	DG4500iX-201	Data Meter	1
2	56203i-005.4	Eco-mode Switch	1
3	DF623X-301	Engine Start Switch	1
4	DG4500iX-204	CO Sensor LED	1
5	DG4500iX-205	USB	1
6	DG4500iX-206	NEMA L5-30R 120V 30A AC Outlet	1
7	DG4500iX-207	NEMA TT-30R 120V 30A AC Outlet	1
8	DG4500iX-208	NEMA 5-20R 120V 20A AC Duplex Outlet	1
9	DG4500iX-209	Ignitor	1

NO.	PART NO.	DESCRIPTION	QTY.
10	56203i-005.5	Reset Button	1
11	56203i-005.14R	Parallel Outlet (Red)	1
12	56203i-005.14B	Parallel Outlet (Black)	1
13	DG4500iX-213	Waterproof Cap	1
14	56500-208	Breaker, AC 20A	1
15	DG4500iX-215	Control Panel Rear Cover	1
16	DG4500iX-216	Bolt, M4x10	6
17	DG4500iX-217	Grounding lug	1
18	DG4500iX-218	Engine Stop Microswitch and Wiring Harness	1

WARRANTY STATEMENT

WEN Products is committed to building tools that are dependable for years. Our warranties are consistent with this commitment and our dedication to quality.

LIMITED WARRANTY OF WEN PRODUCTS FOR HOME USE

GREAT LAKES TECHNOLOGIES, LLC (“Seller”) warrants to the original purchaser only, that this WEN consumer product will be free from defects in material or workmanship during personal use for a period of three (3) years from date of purchase or 500 hours of use; whichever comes first. Ninety days for all WEN products if the tool is used for professional or commercial use. Purchaser has 30 days from the date of purchase to report missing or damaged parts. Parts and labor are covered for one (1) year under this limited warranty; parts only are covered for three (3) years under this limited warranty.

SELLER’S SOLE OBLIGATION AND YOUR EXCLUSIVE REMEDY under this Limited Warranty and, to the extent permitted by law, any warranty or condition implied by law, shall be the replacement of parts, without charge, which are defective in material or workmanship and which have not been subjected to misuse, alteration, careless handling, misrepair, abuse, neglect, normal wear and tear, improper maintenance, improper storage, incorrect lubricants / fuels, or other conditions adversely affecting the Product or the component of the Product, whether by accident or intentionally, by persons other than Seller. To make a claim under this Limited Warranty, you must make sure to keep a copy of your proof of purchase that clearly defines the Date of Purchase (month and year) and the Place of Purchase. Place of Purchase must be a direct vendor of Great Lakes Technologies, LLC. Purchasing through third party vendors, including but not limited to garage sales, pawn shops, resale shops, or any other secondhand merchant, voids the warranty included with this product. Contact techsupport@wenproducts.com or 1-800-232-1195 with the following information to make arrangements: your shipping address, phone number, serial number, required part numbers, and proof of purchase. Damaged or defective parts and products may need to be sent to WEN before the replacements can be shipped out.

Upon the confirmation of a WEN representative, your product may qualify for repairs and service work. When returning a product for warranty service, the shipping charges must be prepaid by the purchaser. The product must be shipped in its original container (or an equivalent), properly packed to withstand the hazards of shipment. The product must be fully insured with a copy of the proof of purchase enclosed. There must also be a description of the problem in order to help our repairs department diagnose and fix the issue. Repairs will be made and the product will be returned and shipped back to the purchaser at no charge for addresses within the contiguous United States.

HIS LIMITED WARRANTY DOES NOT APPLY TO ITEMS THAT WEAR OUT FROM REGULAR USAGE OVER TIME, INCLUDING FILTERS, SPARK PLUGS, VOLTAGE REGULATORS, BRUSHES, GASKETS, O-RINGS, WHEEL KITS, BATTERIES, RECOIL STARTERS, HIGH PRESSURE HOSES, SPRAY GUNS, ETC. ANY IMPLIED WARRANTIES SHALL BE LIMITED IN DURATION TO THREE (3) YEARS FROM DATE OF PURCHASE. SOME STATES IN THE U.S. AND SOME CANADIAN PROVINCES DO NOT ALLOW LIMITATIONS ON HOW LONG AN IMPLIED WARRANTY LASTS, SO THE ABOVE LIMITATION MAY NOT APPLY TO YOU.

IN NO EVENT SHALL SELLER BE LIABLE FOR ANY INCIDENTAL OR CONSEQUENTIAL DAMAGES (INCLUDING BUT NOT LIMITED TO LIABILITY FOR LOSS OF PROFITS) ARISING FROM THE SALE OR USE OF THIS PRODUCT. SOME STATES IN THE U.S. AND SOME CANADIAN PROVINCES DO NOT ALLOW THE EXCLUSION OR LIMITATION OF INCIDENTAL OR CONSEQUENTIAL DAMAGES, SO THE ABOVE LIMITATION OR EXCLUSION MAY NOT APPLY TO YOU.

THIS LIMITED WARRANTY GIVES YOU SPECIFIC LEGAL RIGHTS, AND YOU MAY ALSO HAVE OTHER RIGHTS WHICH VARY FROM STATE TO STATE IN THE U.S., PROVINCE TO PROVINCE IN CANADA AND FROM COUNTRY TO COUNTRY.

THIS LIMITED WARRANTY APPLIES ONLY TO ITEMS SOLD WITHIN THE UNITED STATES OF AMERICA, CANADA AND THE COMMONWEALTH OF PUERTO RICO. FOR WARRANTY COVERAGE WITHIN OTHER COUNTRIES, CONTACT THE WEN CUSTOMER SUPPORT LINE. FOR WARRANTY PARTS OR PRODUCTS REPAIRED UNDER WARRANTY SHIPPING TO ADDRESSES OUTSIDE OF THE CONTIGUOUS UNITED STATES, ADDITIONAL SHIPPING CHARGES MAY APPLY.

**THANKS FOR
REMEMBERING**  [®]