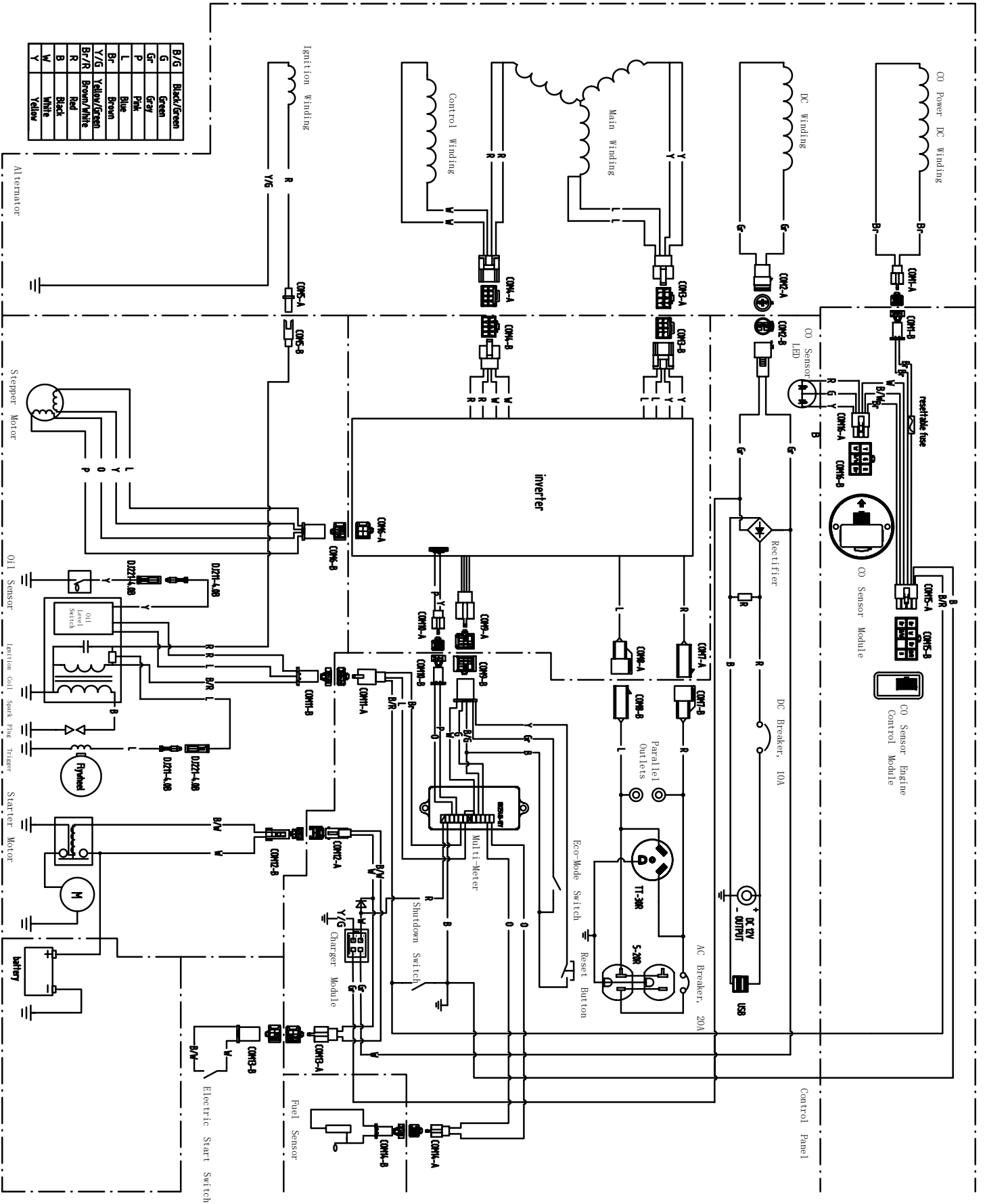


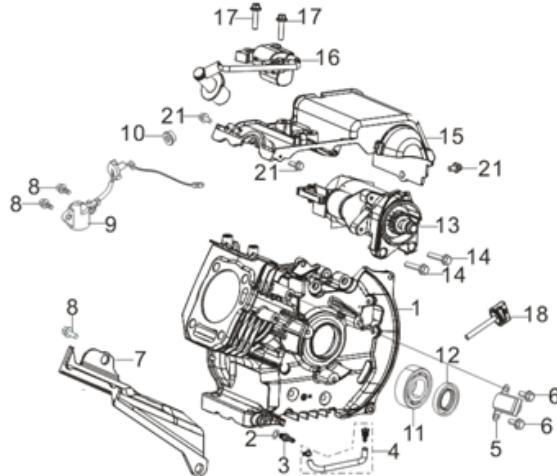
WIRING DIAGRAM



EXPLODED VIEW & PARTS LIST

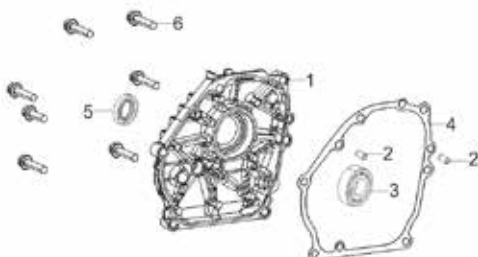
NOTE: Replacement parts can be purchased from wenproducts.com, or by calling our customer service at **1-(800) 232-1195**, M-F 8-5 CST. Parts and accessories that wear down over the course of normal use are not covered by the three-year warranty. Not all parts may be available for purchase.

FIG. 1 - CRANKCASE ASSEMBLY



No.	Part No.	Description	Qty.	No.	Part No.	Description	Qty.
1-1	56380i-0101	Crankcase Subassembly	1	1-11	56380i-0111	Bearing, 6305P53	1
1-2	56380i-0102	Flat Washer, 10mm	1	1-12	56380i-0112	Oil Seal	1
1-3	56380i-0103	Connector, Oil Drain Hose	1	1-13	56380i-0113	Starter Motor	1
1-4	56380i-0104	Oil Drain Hose	1	1-14	56380i-0114	Bolt, M6x28	2
1-5	56380i-0105	Trigger	1	1-15	56380i-0115	Protective Cover	1
1-6	56310i-1106	Bolt, M5x16	2	1-16	56380i-0116	Ignition Coil	1
1-7	56380i-0107	Crankcase Side Shield	1	1-17	56380i-0114	Bolt, M6x28	2
1-8	56310i-1201	Bolt, M6x16	3	1-18	56380i-0118	Oil Dipstick	1
1-9	56310i-0211	Engine Oil Sensor	1	1-19	56310i-1201	Bolt, M6x16	3
1-10	56310i-0210	Flanged Hex Nut, M10	1				

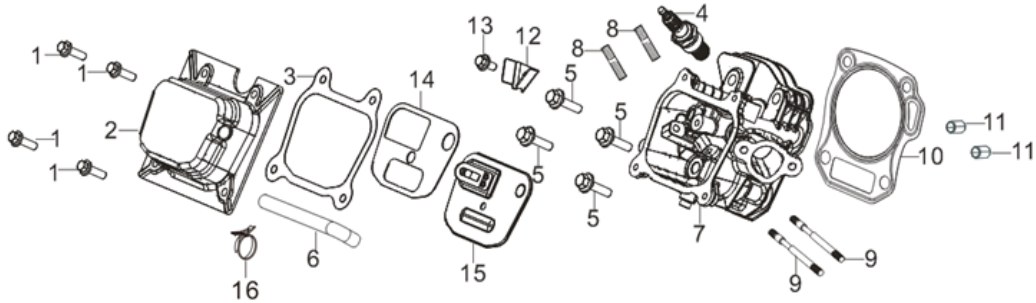
FIG. 2. CRANKCASE COVER ASSEMBLY



No.	Part No.	Description	Qty.
2-1	56380i-0201	Cover, Crankcase	1
2-2	56200-0803	Pin	2
2-3	56380i-0203	Ball Bearing, 6205	1
2-4	56380i-0204	Gasket, Crankcase	1
2-5	56310i-0306	Oil Seal	1
2-6	56310i-0307	Bolt, M8x32	6

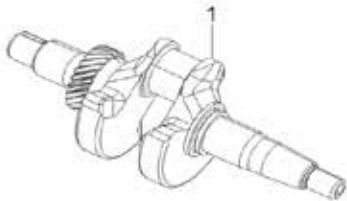
EXPLODED VIEW & PARTS LIST

FIG. 3. CYLINDER HEAD ASSEMBLY



No.	Part No.	Description	Qty.	No.	Part No.	Description	Qty.
3-1	56310i-1701	Bolt, M6x20	4	3-8	56310i-0109	Bolt, M8x34	2
3-2	56380i-0302	Cylinder Head Cover Subassembly	1	3-9	56380i-0309	Stud Bolt, M6x105	2
3-3	56380i-0303	Cylinder Head Cover Gasket	1	3-10	56380i-0310	Cylinder Head Gasket	1
3-4	56310i-0104	Spark Plug (Torch F6RTC, NGK BPR6ES)	1	3-11	56380i-0311	Pin	2
3-5	56310i-0106	Cylinder Head Bolt, M8x60	4	3-12	56380i-0312	Limiter	1
3-6	56380i-0306	Breather Tube	1	3-13	56200-1202	Bolt, M6x12	1
3-7	56380i-0307	Cylinder Head Sub-assembly	1	3-14	56380i-0314	Breather Gasket	1
				3-15	56380i-0315	Breather Plate	1
				3-16	56400iX-0316	Hose Clamp	1

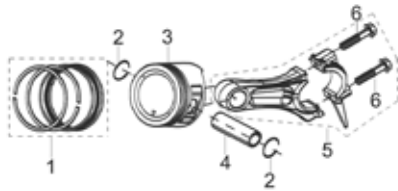
FIG. 4. CRANKSHAFT ASSEMBLY



No.	Part No.	Description	Qty.
4-1	56380i-0401	Crankshaft Assembly	1

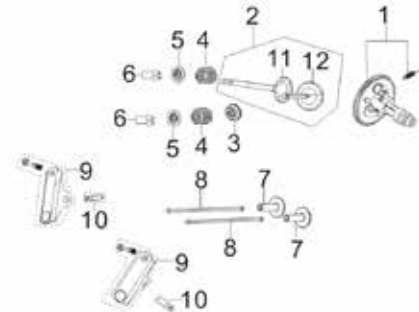
EXPLODED VIEW & PARTS LIST

FIG. 5. PISTON RING SET & CONNECTING ROD



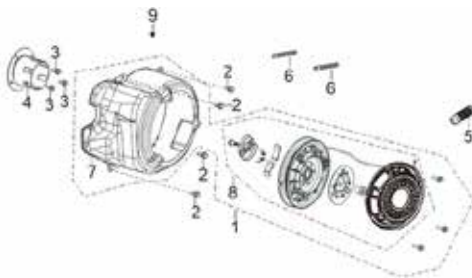
No.	Part No.	Description	Qty.
5-1	56310i-0501	Piston Ring Assembly	1
5-2	56310i-0505	Piston Pin Clip	2
5-3	56380i-0503	Piston	1
5-4	56310i-0504	Piston Pin	1
5-5	56380i-0505	Connecting Rod	1

FIG. 6. VALVE TRAIN & CAMSHAFT SUBASSEMBLY



No.	Part No.	Description	Qty.
6-1	56380i-0601B	Camshaft Assembly	1
6-2	56380i-0602	Valve Set	1
6-3	56310i-0603	Seal Guide	1
6-4	56310i-0604	Valve Spring	2
6-5	56380i-0605	Valve Spring Seat	2
6-6	56310i-0606	Valve Lock Clamp	4
6-7	56310i-0607	Valve Tappet	2
6-8	56380i-0608	Valve Lifter Subassembly	2
6-9	56380i-0609	Valve Rocker Arm	2
6-10	56380i-0610	Rocker Shaft	2

FIG. 7. RECOIL STARTER



No.	Part No.	Description	Qty.
7-1	56380i-0701	Recoil Starter And Shroud Assembly	1
7-2	56380i-0313	Bolt	4
7-3	56380i-0313	Bolt	4
7-4	56400iX-0704	Starter Pulley	1
7-5	56200-0420	Recoil Starter Handle	1
7-6	56400iX-0702	Clamp	2
7-7	56380i-0707	Shroud	1
7-8	56380i-0708	Recoil Starter Assembly	1

EXPLODED VIEW & PARTS LIST

FIG. 8. CARBURETOR ASSEMBLY

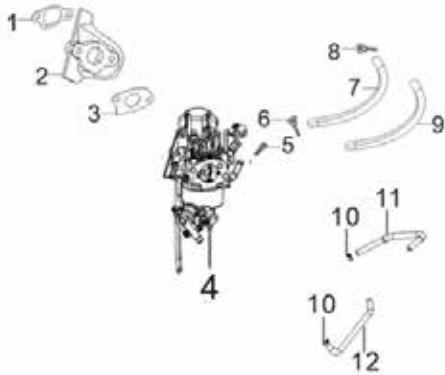
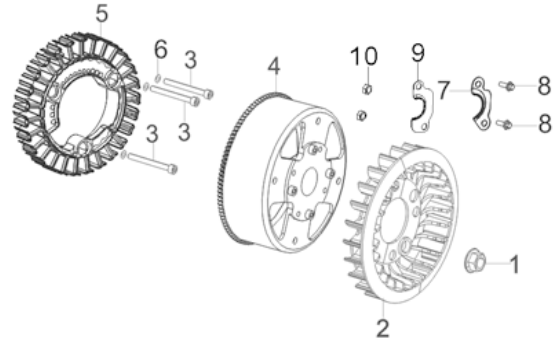


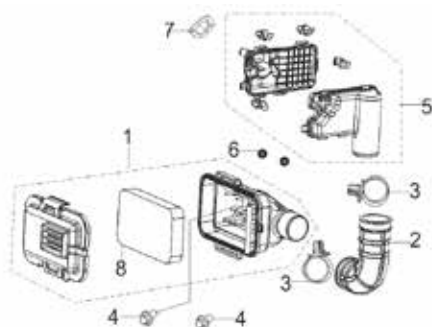
FIG. 9. FLYWHEEL, IMPELLER, STARTER PULLEY, IGNITION COIL



No.	Part No.	Description	Qty.
8-1	56380i-0801	Carburetor Insulator Gasket	1
8-2	56380i-0802	Carburetor Insulator Plate	1
8-3	56380i-0803	Carburetor Gasket	1
8-4	DF400i-0804	Carburetor Assembly	1
8-5	56200-1305	Fuel Strainer	1
8-6	56380i-0805	Clamp	1
8-7	56380i-0806	Fuel Tube	1
8-8	56380i-0805	Clamp	1
8-9	56400iX-0809	Rubber Jacket	1
8-10	DF400i-0806	Clamp	2
8-11	DF400i-0807	Pressure Hose 1	1
8-12	DF400i-0808	Pressure Hose 2	1

No.	Part No.	Description	Qty.
9-1	56310i-1101	Flywheel Nut	1
9-2	56380i-0902	Impeller	1
9-3	56310i-1103	Bolt, M6x60	3
9-4	56380i-0904	Rotor	1
9-5	56400iX-0905	Stator	1
9-6	56380i-0906	Flat Washer, 6mm	3
9-7	56380i-0907	Wiring Clamp	1
9-8	56310i-0207	Bolt, M5x20	2
9-9	56400iX-0909	Tension Disc	1
9-10	56400iX-0910	Flanged Hex Nut, M5	2

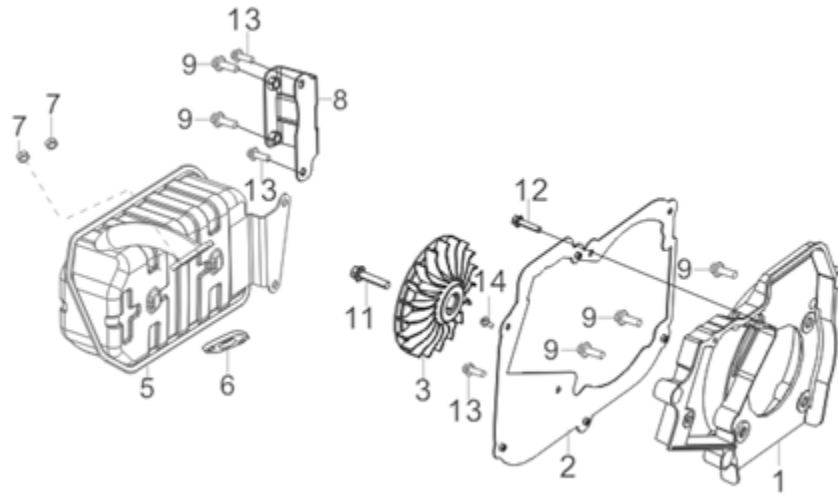
FIG. 10. AIR FILTER



No.	Part No.	Description	Qty.
10-1	56380i-1001B	Air Filter Assembly	1
10-2	56380i-1002	Intake Tube	1
10-3	56380i-1003	Intake Tube Clamp	2
10-4	56310i-1420	Bolt, M6x25	2
10-5	56400iX-1005	Secondary Air Filter	1
10-6	56200-0506	Nut, M6	2
10-7	56310i-0901	Air Filter Gasket	1

EXPLODED VIEW & PARTS LIST

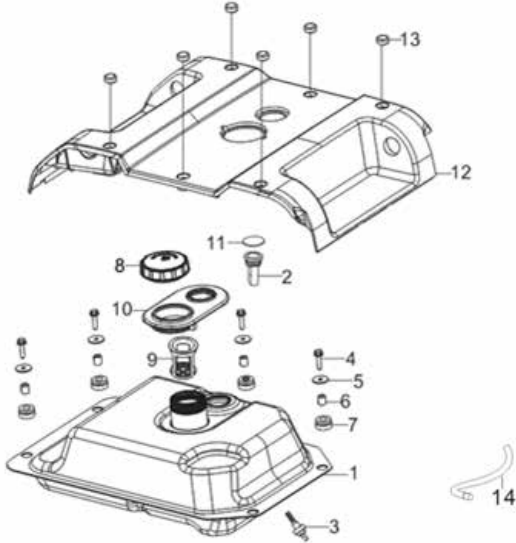
FIG. 11. MUFFLER ASSEMBLY



No.	Part No.	Description	Qty.
11-1	56380i-1101	Shroud	1
11-2	56380i-1102B	Muffler Cover Support	1
11-3	56380i-1103	Impeller	1
11-5	56380i-1105	Muffler Assembly	1
11-6	56380i-1106	Muffler Gasket	1
11-7	56310i-1010	Nut, M8	2
11-8	56380i-1108	Muffler Bracket	1
11-9	56310i-1009	Bolt, M8x16	5
11-11	56310i-1004	Bolt, M8x20	1
11-12	56380i-1112	Bolt, M6x35	1
11-13	56200-0508	Bolt, M6x12	3
11-14	56380i-1114	Bolt, PT4x13	1

EXPLODED VIEW & PARTS LIST

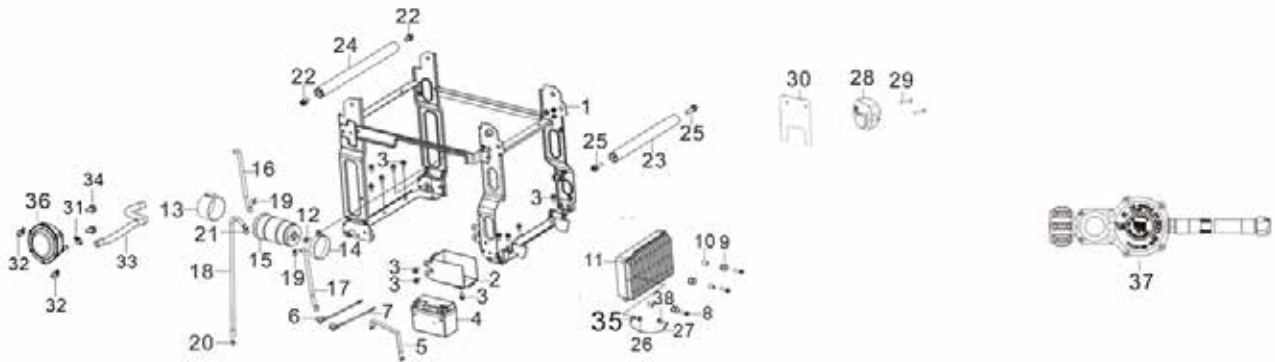
FIG. 12. FUEL TANK ASSEMBLY



No.	Part No.	Description	Qty.
12-1	56380i-1201	Fuel Tank Assembly	1
12-2	56380i-1202	Fuel Gauge	1
12-3	56380i-1203	Fuel Tank Outlet	1
12-4	56200-1202	Bolt, M6x20	4
12-5	56380i-1205	Flat Washer, 6mm	4
12-6	56380i-1206	Bushing	4
12-7	56380i-1207	Fuel Tank Damper	4
12-8	56380i-1208	Fuel Tank Cap	1
12-9	56380i-1209	Fuel Strainer	1
12-10	56380i-1210	Fuel Tank Sleeve	1
12-11	56200-0413	Fuel Level Sight Glass	1
12-12	56380i-1212	Upper Cover	1
12-13	56380i-1213	Cover Plug	1
12-14	56400iX-1214	Rubber Jacket	1

EXPLODED VIEW & PARTS LIST

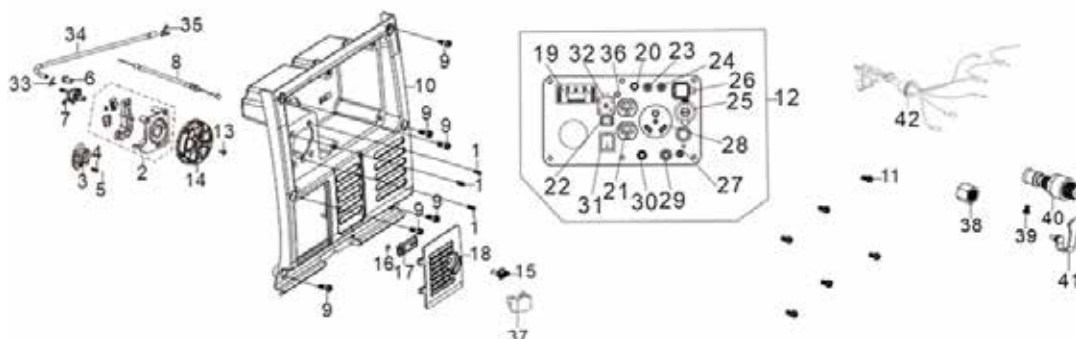
FIG. 13. FRAME



No.	Part No.	Description	Qty.	No.	Part No.	Description	Qty.
13-1	56400iX-1301	Engine Frame Assembly	1	13-19	56380i-1319	Clamp	2
13-2	56380i-1302	Battery Case	1	13-20	56380i-1320	Clamp	1
13-3	56380i-0313	Bolt, M6x12	3	13-21	56380i-1320	Clamp	1
13-4	56380i-1304	Battery, 12V, 1.6Ah, Li-ion	1	13-22	56310i-1009	Bolt, M8x30	2
13-5	56380i-1305	Battery Bracket	1	13-23	56380i-1323	Front Handle	1
13-6	56380i-1306B	Anode Wire (Negative)	1	13-24	56380i-1324	Handle	1
13-7	56380i-1307	Cathode Wire (Positive)	1	13-25	56310i-1009	Bolt, M8x30	2
13-8	56310i-1420	Bolt, M6x25	3	13-26	56310i-1415	Screw, M4x8	1
13-9	56310i-1421	Rubber Jacket	3	13-27	56380i-1327	Grounding Wire	1
13-10	56310i-1419	Bushing	3	13-28	GN625iX-1430	CO Sensor Module	1
13-11	56380i-1311	Inverter	1	13-29	56400iX-1329	Security Socket Head Cap Screw, M4x25	2
13-12	56310i-1201	Bolt, M6x16	1	13-30	56400iX-1330	Mounting Bracket	1
13-13	56380i-1313	Rubber Sleeve	1	13-31	DF400i-1329	Hose Clamp	1
13-14	56380i-1314	Carbon Tank Mounting Bracket	1	13-32	DF400i-0806	Clamp	2
13-15	56380i-1315	Carbon Tank	1	13-33	DF400i-1330	LPG Hose	1
13-16	56380i-1316	Carbon Tank Hose, Primary	1	13-34	56380i-0313	Bolt, M6x12	2
13-17	56380i-1317B	Air Filter Hose	1	13-35	56400iX-1332	Flat Washer, 5mm	1
13-18	56380i-1318	Carbon Tank Hose, Secondary	1	13-36	DF400i-1328	LPG Regulator	1
				13-37	DF400i-1332	Primary LPG Regulator Hose Assembly	1
				13-38	56400iX-1331	Bolt, M6x10	1

EXPLODED VIEW & PARTS LIST

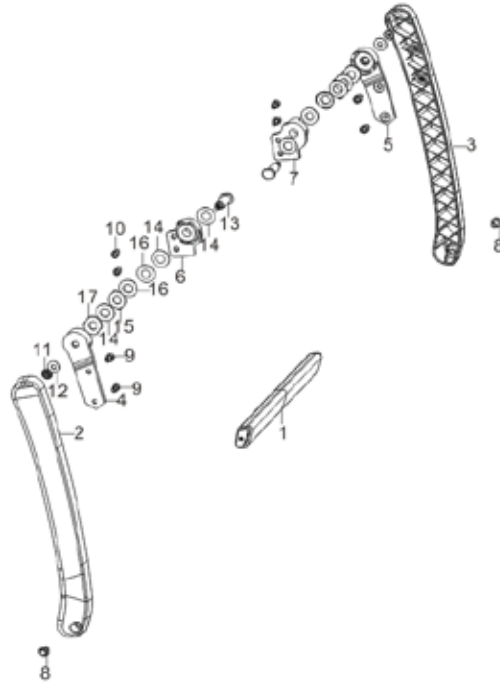
FIG. 14. CONTROL PANEL



No.	Part No.	Description	Qty.	No.	Part No.	Description	Qty.
14-1	56200-0615	Self-Tapping Screw, ST4.2x16	3	14-23	56380i-1424	Parallel Port, Positive	1
14-2	56380i-1402	Switch Subassembly	1	14-24	56380i-1423	Parallel Port, Negative	1
14-3	56200-0621B	Cover Plate	1	14-25	56380i-1426	USB Outlet	1
14-4	56200-0624B	Adjustment Spring	1	14-26	56380i-1425	12V DC Outlet	1
14-5	56200-0623	Steel Ball	1	14-27	56380i-1427	Grounding Nut	1
14-6	56200-0502	Bolt, M6x14	1	14-28	56380i-1428	NEMA TT-30R Outlet	1
14-7	56200-0628	Fuel Cock Assembly	1	14-29	56380i-1429	DC Breaker, 10A	1
14-8	56310i-1628B	Choke Handle Subassembly	1	14-30	56380i-1430	AC Breaker, 20A	1
14-9	56380i-1409	Bolt, M5x16	6	14-31	DF400i-1414	Engine Switch	1
14-10	DF400i-1425	Panel Seat	1	14-32	56380i-1432	Rectifier Bridge	1
14-11	56200-0302	Screw, M5x12	6	14-33	56380i-0805	Clamp	1
14-12	DF400iX-1412	Control Panel Subassembly	1	14-34	56380i-1434	Fuel Tube	1
14-13	56200-0514	Screw, M4x16	1	14-35	56380i-1435	Clamp	1
14-14	56380i-1414	Knob	1	14-36	56400iX-1436	CO Sensor LED Indicator	1
14-15	56200-0425C	Bolt, M5x16	1	14-37	GN625iX-1528	CO Sensor Engine Control Module	1
14-16	56200-0427B	Nylon Nut, M5	1	14-38	DF400i-1439	Nut, M14-1.5	1
14-17	56380i-1417	Blocker	1	14-39	56310i-1415	Screw, M4x8	1
14-18	56380i-1418	Battery Cover	1	14-40	DF400i-1436	LPG Inlet	1
14-19	56380i-1419	Multimeter	1	14-41	DF400i-1437	LPG Inlet Plug	1
14-20	56380i-1420	Reset Button	1	14-42	56400iX-1438	Control Panel Wiring Harness	1
14-21	56380i-1421	NEMA 5-20R Duplex Outlet	1				
14-22	56380i-1422	Switch Subassembly	1				

EXPLODED VIEW & PARTS LIST

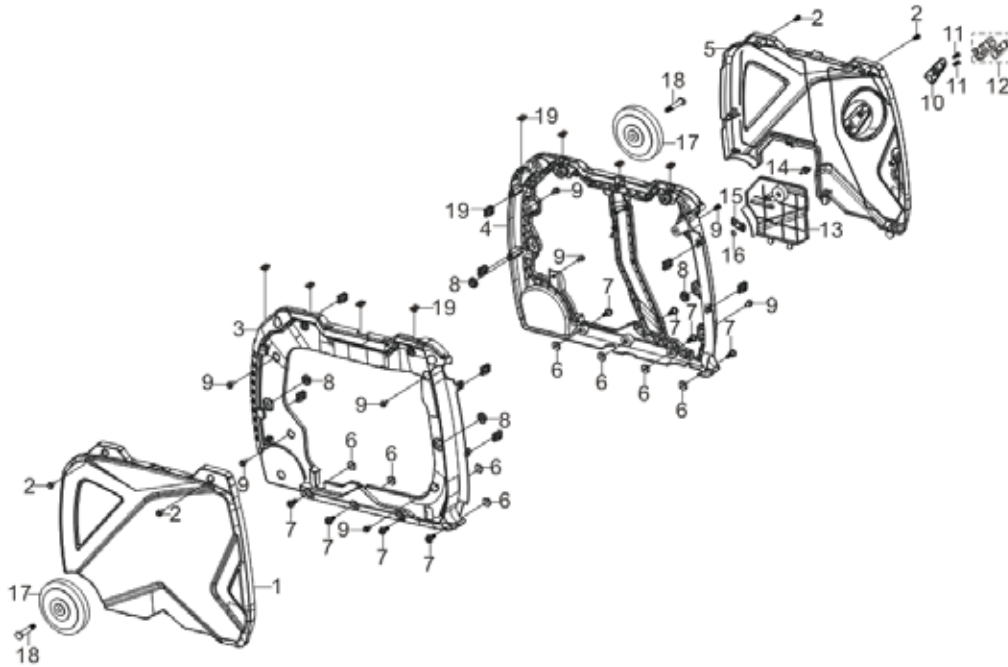
FIG. 15. WHEEL ASSEMBLY



No.	Part No.	Description	Qty.	No.	Part No.	Description	Qty.
15-1	56380i-1501	Handle Tube	1	15-8	56200-0517	Bolt, M6x12	2
15-2	56380i-1502	Left Rotation Arm	1	15-9	56380i-1509	Bolt, M6x10	4
15-3	56380i-1503	Right Rotation Arm	1	15-10	56310i-1201	Bolt, M6x16	4
15-4	56380i-1504	Left Handle Connector	1	15-11	56310i-1807	Nylon Nut, M6	2
15-5	56380i-1505	Right Handle Connector	1	15-12	56380i-1512	Flat Washer, 6mm	2
15-6	56380i-1506B	Left Handle Connector Seat	1	15-13	56380i-1513	Connector Fastener	2
15-7	56380i-1507B	Right Handle Connector Seat	1	15-14	56380i-1514	Flat Washer, 13mm	6
				15-15	56380i-1515	Positioning Block	2
				15-16	56380i-1516	Washer, 12mm	4
				15-17	56380i-1517	Flat Washer, 12mm	2

EXPLODED VIEW & PARTS LIST

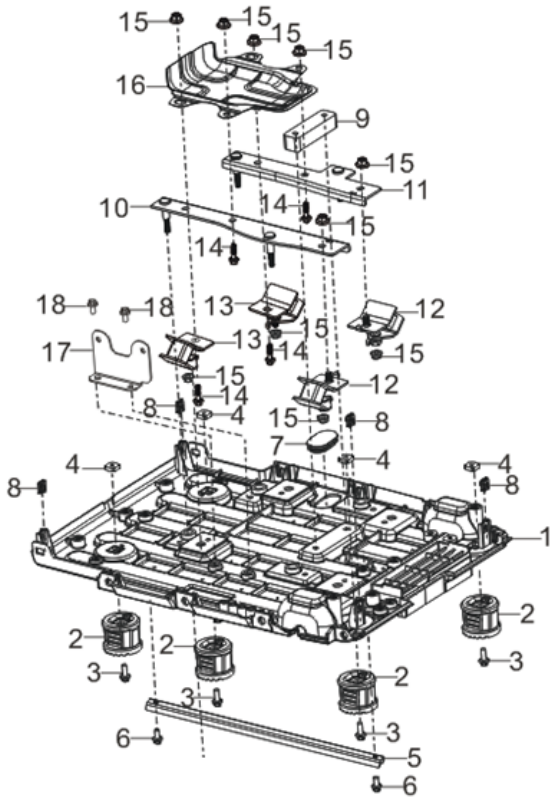
FIG. 16. SHELL, OUTER COVERS



No.	Part No.	Description	Qty.	No.	Part No.	Description	Qty.
16-1	56380i-1601	Left Cover	1	16-11	56200-0612	Screw And Washer	2
16-2	56200-0406	Bolt, M5x12	4	16-12	56200-0420	Recoil Starter Handle	1
16-3	56380i-1603	Left Shell	1	16-13	56380i-1613	Right Maintenance Door	1
16-4	56380i-1604	Right Shell	1	16-14	56400iX-1614	Access Door Knob	1
16-5	56380i-1605	Right Cover	1	16-15	56380i-1417	Blocker	1
16-6	56200-0408	Nut, M6	8	16-16	56400iX-1616	Spring Clamp	1
16-7	56380i-1607	Bolt, M6x20	8	16-17	56380i-1617	Wheel	2
16-8	56200-0515	Fuel Tank Rubber Sleeve	4	16-18	56380i-1618	Wheel Axle	2
16-9	56380i-0313	Bolt, M6x12	8	16-19	56380i-1619	Nut, M5	16
16-10	56380i-1610	Recoil Starter Guide Subassembly	1				

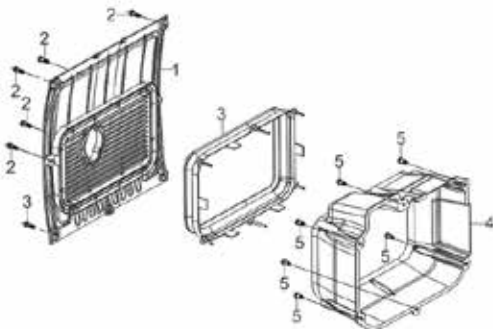
EXPLODED VIEW & PARTS LIST

FIG. 17. BASE PLATE



No.	Part No.	Description	Qty.
17-1	56380i-1701	Baseplate	1
17-2	56380i-1702	Engine Frame Damper Seat	4
17-3	56310i-1201	Bolt, M6x16	4
17-4	56200-0408	Nut, M6	4
17-5	56380i-1705	Reinforcement Plate	1
17-6	56380i-0313	Bolt, M6x12	2
17-7	56310i-1407	Cover Plug	1
17-8	56380i-1619	Nut, M5	4
17-9	56380i-1709	Cushion	1
17-10	56380i-1710	Left Support	1
17-11	56380i-1711	Right Support	1
17-12	56310i-1409	Left Engine Frame Damper	2
17-13	56310i-1411	Right Engine Frame Damper	2
17-14	56310i-1412	Bolt, M8x40	4
17-15	56310i-1404	Nut, M8	10
17-16	56380i-1716	Crankcase Airflow Manifold	1
17-17	56380i-1717	Air Filter Support	1
17-18	56380i-0313	Bolt, M6x12	2

FIG. 18. MUFFLER COVER



No.	Part No.	Description	Qty.
18-1	56380i-1801	Outer Muffler Cover	1
18-2	56200-0406	Bolt, M5x16	6
18-3	56380i-1803	Heat Insulator	1
18-4	56380i-1804	Inner Muffler Cover	1
18-5	56200-0406	Bolt, M5x12	6

NOTE: Replacement parts can be purchased from wenproducts.com, or by calling our customer service at **1-(800) 232-1195**, M-F 8-5 CST. Parts and accessories that wear down over the course of normal use are not covered by the three-year warranty. Not all parts may be available for purchase.