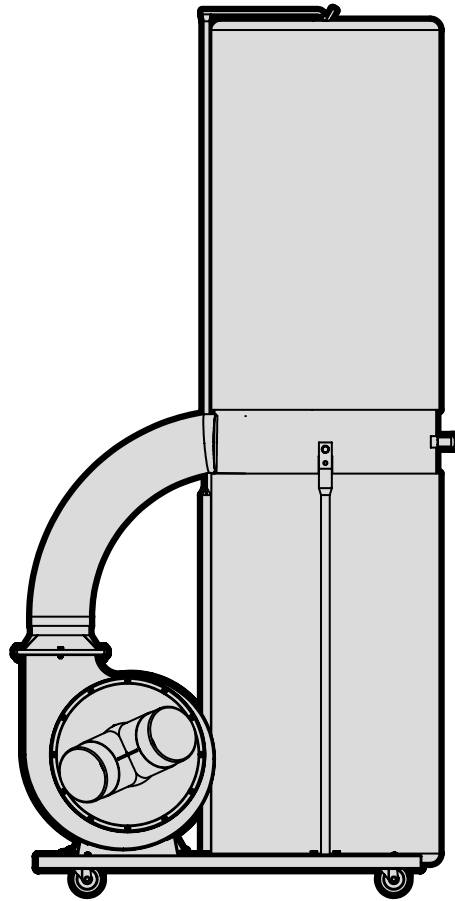




MODEL DC1300

WOODWORKING DUST COLLECTOR

Instruction Manual



NEED HELP? CONTACT US!

Have product questions? Need technical support? Please feel free to contact us:



1-800-232-1195 (M-F 8AM-5PM CST)



TECHSUPPORT@WENPRODUCTS.COM

IMPORTANT: Your new tool has been engineered and manufactured to WEN's highest standards for dependability, ease of operation, and operator safety. When properly cared for, this product will supply you years of rugged, trouble-free performance. Pay close attention to the rules for safe operation, warnings, and cautions. If you use your tool properly and for its intended purpose, you will enjoy years of safe, reliable service.

For replacement parts and the most up-to-date instruction manuals, visit ***WENPRODUCTS.COM***

CONTENTS


| | |
|--------------------------------------|-----------|
| WELCOME | 3 |
| Introduction | 3 |
| Specifications..... | 3 |
| | |
| SAFETY | 4 |
| General Safety Rules | 4 |
| Dust Collector Safety Warnings | 6 |
| Electrical Information | 7 |
| | |
| BEFORE OPERATING | 8 |
| Unpacking & Packing List | 8 |
| Assembly & Adjustments..... | 9 |
| | |
| OPERATION & MAINTENANCE | 12 |
| Operation | 12 |
| Maintenance..... | 13 |
| Exploded View & Parts List..... | 14 |
| Warranty Statement | 16 |

To purchase accessories for your tool, visit ***WENPRODUCTS.COM***

Replacement Collection Bag (Part No. 3403-036)

INTRODUCTION

Thanks for purchasing the WEN Dust Collector. We know you are excited to put your tool to work, but first, please take a moment to read through the manual. Safe operation of this tool requires that you read and understand this operator's manual and all the labels affixed to the tool. This manual provides information regarding potential safety concerns, as well as helpful assembly and operating instructions for your tool.

 Indicates danger, warning, or caution. The safety symbols and the explanations with them deserve your careful attention and understanding. Always follow the safety precautions to reduce the risk of fire, electric shock or personal injury. However, please note that these instructions and warnings are not substitutes for proper accident prevention measures.

NOTE: The following safety information is not meant to cover all possible conditions and situations that may occur. WEN reserves the right to change this product and specifications at any time without prior notice.

At WEN, we are continuously improving our products. If you find that your tool does not exactly match this manual, please visit wenproducts.com for the most up-to-date manual or contact our customer service at **1-800-232-1195**.

Keep this manual available to all users during the entire life of the tool and review it frequently to maximize safety for both yourself and others.

SPECIFICATIONS

| | |
|-------------------------------|------------------------------|
| Model number | DC1300 |
| Motor | 120V, 60 Hz, 14A |
| Motor Speed | 3450 RPM |
| Impeller Diameter | 10 Inches (254mm) |
| Inlet Hole Diameter | 5 Inches |
| Inlet Y-Adapter Hole Diameter | 4 Inches |
| Air Suction Capacity | 1,300 CFM |
| Collection Bag Capacity | 50 Gallons |
| Filter Bag Rating | 5 Microns |
| Assembled Dimensions | 33.5 in. x 22 in. x 73.2 in. |
| Product Net Weight | 86 Pounds |

GENERAL SAFETY RULES

 **WARNING!** Read all safety warnings and all instructions. Failure to follow the warnings and instructions may result in electric shock, fire and/or serious injury.

Safety is a combination of common sense, staying alert and knowing how your item works. The term “power tool” in the warnings refers to your mains-operated (corded) power tool or battery-operated (cordless) power tool.

SAVE THESE SAFETY INSTRUCTIONS.

WORK AREA SAFETY

- 1. Keep work area clean and well lit.** Cluttered or dark areas invite accidents.
- 2. Do not operate power tools in explosive atmospheres, such as in the presence of flammable liquids, gases or dust.** Power tools create sparks which may ignite the dust or fumes.
- 3. Keep children and bystanders away while operating a power tool.** Distractions can cause you to lose control.

ELECTRICAL SAFETY

- 1. Power tool plugs must match the outlet. Never modify the plug in any way. Do not use any adapter plugs with earthed (grounded) power tools.** Unmodified plugs and matching outlets will reduce risk of electric shock.
- 2. Avoid body contact with earthed or grounded surfaces such as pipes, radiators, ranges and refrigerators.** There is an increased risk of electric shock if your body is earthed or grounded.
- 3. Do not expose power tools to rain or wet conditions.** Water entering a power tool will increase the risk of electric shock.
- 4. Do not abuse the cord. Never use the cord for carrying, pulling or unplugging the power tool. Keep cord away from heat, oil, sharp edges or moving parts.** Damaged or entangled cords increase the risk of electric shock.
- 5. When operating a power tool outdoors, use an extension cord suitable for outdoor use.** Use of a cord suitable for outdoor use reduces the risk of electric shock.

6. If operating a power tool in a damp location is unavoidable, use a ground fault circuit interrupter (GFCI) protected supply. Use of a GFCI reduces the risk of electric shock.

PERSONAL SAFETY

- 1. Stay alert, watch what you are doing and use common sense when operating a power tool. Do not use a power tool while you are tired or under the influence of drugs, alcohol or medication.** A moment of inattention while operating power tools may result in serious personal injury.
- 2. Use personal protective equipment. Always wear eye protection.** Protective equipment such as a respiratory mask, non-skid safety shoes and hearing protection used for appropriate conditions will reduce the risk of personal injury.
- 3. Prevent unintentional starting. Ensure the switch is in the off-position before connecting to power source and/or battery pack, picking up or carrying the tool.** Carrying power tools with your finger on the switch or energizing power tools that have the switch on invites accidents.
- 4. Remove any adjusting key or wrench before turning the power tool on.** A wrench or a key left attached to a rotating part of the power tool may result in personal injury.
- 5. Do not overreach. Keep proper footing and balance at all times.** This enables better control of the power tool in unexpected situations.
- 6. Dress properly. Do not wear loose clothing or jewelry. Keep your hair and clothing away from moving parts.** Loose clothes, jewelry or long hair can be caught in moving parts.

GENERAL SAFETY RULES

 **WARNING!** Read all safety warnings and all instructions. Failure to follow the warnings and instructions may result in electric shock, fire and/or serious injury.

Safety is a combination of common sense, staying alert and knowing how your item works. The term “power tool” in the warnings refers to your mains-operated (corded) power tool or battery-operated (cordless) power tool.

SAVE THESE SAFETY INSTRUCTIONS.

7. If devices are provided for the connection of dust extraction and collection facilities, ensure these are connected and properly used. Use of dust collection can reduce dust-related hazards.

POWER TOOL USE AND CARE

1. Do not force the power tool. Use the correct power tool for your application. The correct power tool will do the job better and safer at the rate for which it was designed.

2. Do not use the power tool if the switch does not turn it on and off. Any power tool that cannot be controlled with the switch is dangerous and must be repaired.

3. Disconnect the plug from the power source and/or the battery pack from the power tool before making any adjustments, changing accessories, or storing power tools. Such preventive safety measures reduce the risk of starting the power tool accidentally.

4. Store idle power tools out of the reach of children and do not allow persons unfamiliar with the power tool or these instructions to operate the power tool. Power tools are dangerous in the hands of untrained users.

5. Maintain power tools. Check for misalignment or binding of moving parts, breakage of parts and any other condition that may affect the power tool's operation. If damaged, have the power tool repaired before use. Many accidents are caused by poorly maintained power tools.

6. Keep cutting tools sharp and clean. Properly maintained cutting tools with sharp cutting edges are less likely to bind and are easier to control.

7. Use the power tool, accessories and tool bits, etc. in accordance with these instructions, taking into account the working conditions and the work to be performed. Use of the power tool for operations different from those intended could result in a hazardous situation.

8. Use clamps to secure your workpiece to a stable surface. Holding a workpiece by hand or using your body to support it may lead to loss of control.

9. KEEP GUARDS IN PLACE and in working order.

SERVICE

1. Have your power tool serviced by a qualified repair person using only identical replacement parts. This will ensure that the safety of the power tool is maintained.


CALIFORNIA PROPOSITION 65 WARNING

Some dust created by power sanding, sawing, grinding, drilling, and other construction activities may contain chemicals, including lead, known to the State of California to cause cancer, birth defects, or other reproductive harm. Wash hands after handling. Some examples of these chemicals are:

- Lead from lead-based paints.
- Crystalline silica from bricks, cement, and other masonry products.
- Arsenic and chromium from chemically treated lumber.

Your risk from these exposures varies depending on how often you do this type of work. To reduce your exposure to these chemicals, work in a well-ventilated area with approved safety equipment such as dust masks specially designed to filter out microscopic particles.

DUST COLLECTOR SAFETY WARNINGS

 **WARNING!** Do not let comfort or familiarity with the product replace strict adherence to product safety rules. Failure to follow the safety instructions may result in serious personal injury.

DUST COLLECTOR SAFETY

1. This dust collector is intended only for collecting wood dust and chips from woodworking machines. Do not use dust collector for anything except wood dust. Material such as liquids, aerosols, metal dust, screws, glass, plastic or rock can cause sparks when coming into contact with any part of the collection system.
2. Never allow steel to come into contact with impeller. Impact with any hard material may result in sparks which may cause fire. Be mindful of any situation that results in a risk of fire.
3. Dust created while using machinery may cause cancer, birth defects, or long-term respiratory damage. Be aware of dust hazards associated with each workpiece material and always wear a NIOSH-approved respirator.
4. Do not place your hands, lumber or tools near the inlet opening while machine is plugged in or during operation. Keep animals and children away from open dust collection inlets.
5. Regularly check and empty the collection bag to avoid the buildup of fine dust that can increase the risk of fire. Regularly clean the surrounding area of the machine. Excessive dust buildup on heat sources such as overhead lights and electrical panels will increase the risk of fire.
6. Always wear a respirator and safety glasses when removing, emptying or replacing the collection bag. Empty dust away from ignition sources and into a suitable container.

These safety instructions can't possibly warn of every scenario that may arise with this tool, always make sure to stay alert and use common sense during operation.

ELECTRICAL INFORMATION

GROUNDING INSTRUCTIONS

In the event of a malfunction or breakdown, grounding provides the path of least resistance for an electric current and reduces the risk of electric shock. This tool is equipped with an electric cord that has an equipment grounding conductor and a grounding plug. The plug **MUST** be plugged into a matching outlet that is properly installed and grounded in accordance with ALL local codes and ordinances.

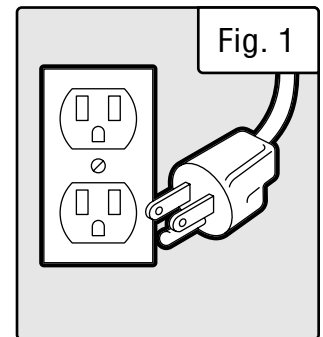
1. Do not modify the plug provided. If it will not fit the outlet, have the proper outlet installed by a licensed electrician.

2. Improper connection of the equipment grounding conductor can result in electric shock. The conductor with the green insulation (with or without yellow stripes) is the equipment grounding conductor. If repair or replacement of the electric cord or plug is necessary, **DO NOT** connect the equipment grounding conductor to a live terminal.

3. Check with a licensed electrician or service personnel if you do not completely understand the grounding instructions or whether the tool is properly grounded.

4. Use only three-wire extension cords that have three-pronged plugs and outlets that accept the tool's plug. Repair or replace a damaged or worn cord immediately.

CAUTION! In all cases, make certain the outlet in question is properly grounded. If you are not sure, have a licensed electrician check the outlet.



GUIDELINES AND RECOMMENDATIONS FOR EXTENSION CORDS

When using an extension cord, be sure to use one heavy enough to carry the current your product will draw. An undersized cord will cause a drop in line voltage resulting in loss of power and overheating. The table below shows the correct size to be used according to cord length and ampere rating. When in doubt, use a heavier cord. The smaller the gauge number, the heavier the cord.

| AMPERAGE | REQUIRED GAUGE FOR EXTENSION CORDS | | | |
|----------|------------------------------------|----------|-----------------|-----------------|
| | 25 ft. | 50 ft. | 100 ft. | 150 ft. |
| 14A | 14 gauge | 12 gauge | Not Recommended | Not Recommended |

1. Examine extension cord before use. Make sure your extension cord is properly wired and in good condition. Always replace a damaged extension cord or have it repaired by a qualified person before using it.

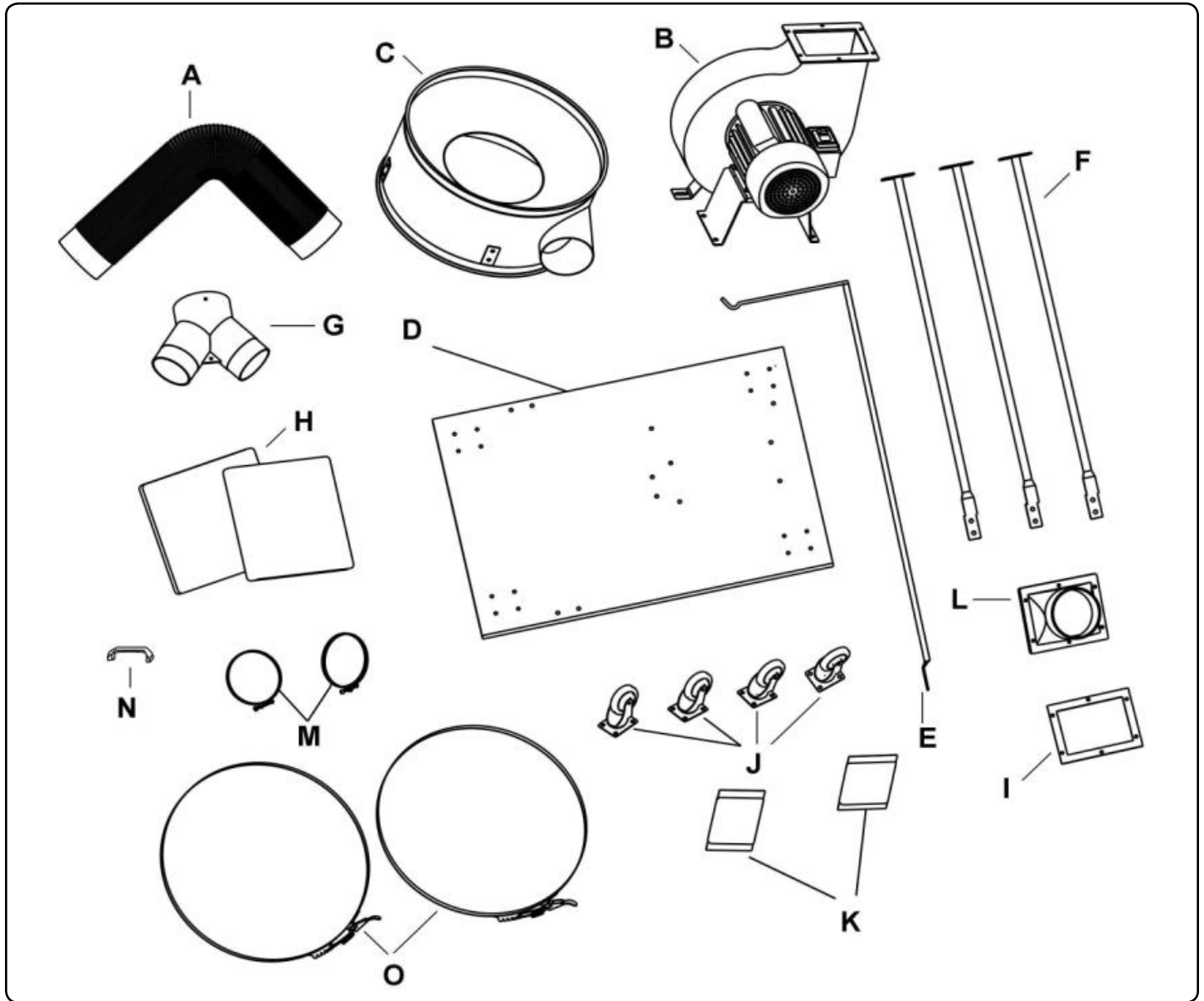
2. Do not abuse extension cord. Do not pull on cord to disconnect from receptacle; always disconnect by pulling on plug. Disconnect the extension cord from the receptacle before disconnecting the product from the extension cord. Protect your extension cords from sharp objects, excessive heat and damp/wet areas.

3. Use a separate electrical circuit for your tool. This circuit must not be less than a 12-gauge wire and should have a 25A fuse or higher. Before connecting the motor to the power line, make sure the switch is in the OFF position and the electric current is rated the same as the current stamped on the motor nameplate. Running at a lower voltage will damage the motor.

UNPACKING & PACKING LIST

UNPACKING

With the help of a friend or trustworthy foe, such as one of your in-laws, carefully remove the dust collector from the packaging and place it on a sturdy, flat surface. Make sure to take out all contents and accessories. Do not discard the packaging until everything is removed. Check the packing list below to make sure you have all of the parts and accessories. If any part is missing or broken, please contact customer service at **1-800-232-1195** (M-F 8-5 CST), or email techsupport@wenproducts.com.

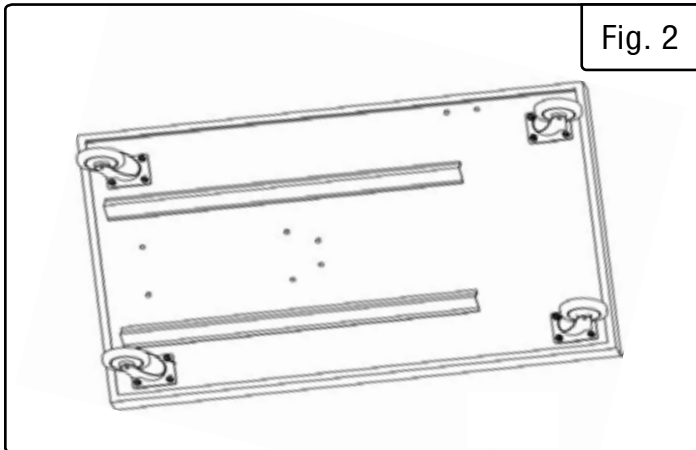


- | | |
|---|-----------------------|
| A. Hose | I. Outlet Gasket |
| B. Motor Assembly | J. Swivel Casters (4) |
| C. Collector | K. Hardware Bag |
| D. Base Plate | L. Outlet |
| E. Upper Support Pole | M. Hose Clamps (2) |
| F. Lower Support Poles (3) | N. Handle |
| G. 4-Inch Inlet Adapter | O. Bag Clamps (2) |
| H. Collection Bag (Clear) & 5-Micron Filter Bag (White) | |

ASSEMBLY & ADJUSTMENTS

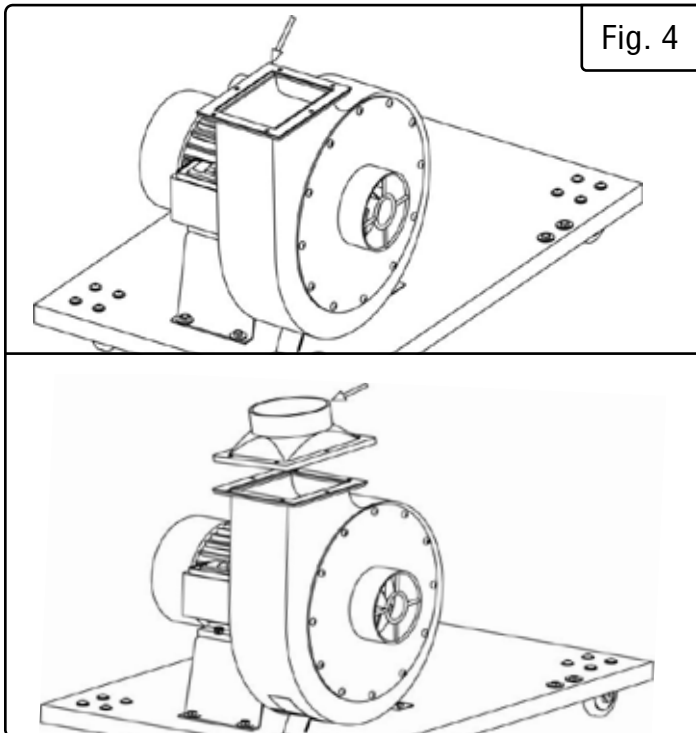
⚠ WARNING! Do not attempt to plug in or operate your tool until the entire operator's manual has been read and understood. Failure to do so could result in personal injury and damage to the tool.

1. ASSEMBLING THE CASTERS



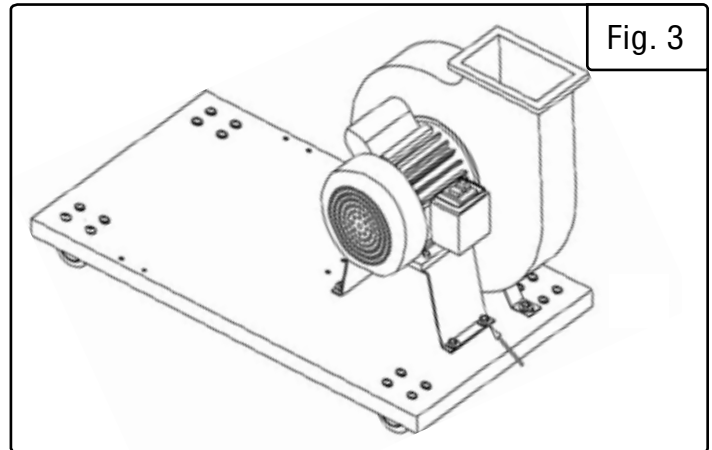
Place the base plate (D) upside down on a flat surface. Install the 4 casters in the following configuration: M6x10 Phillips screw, M6 washer, base plate, caster (J) and M6 nut. Tighten the nuts and make sure all casters are properly installed and can swivel freely.

3. INSTALLING THE OUTLET



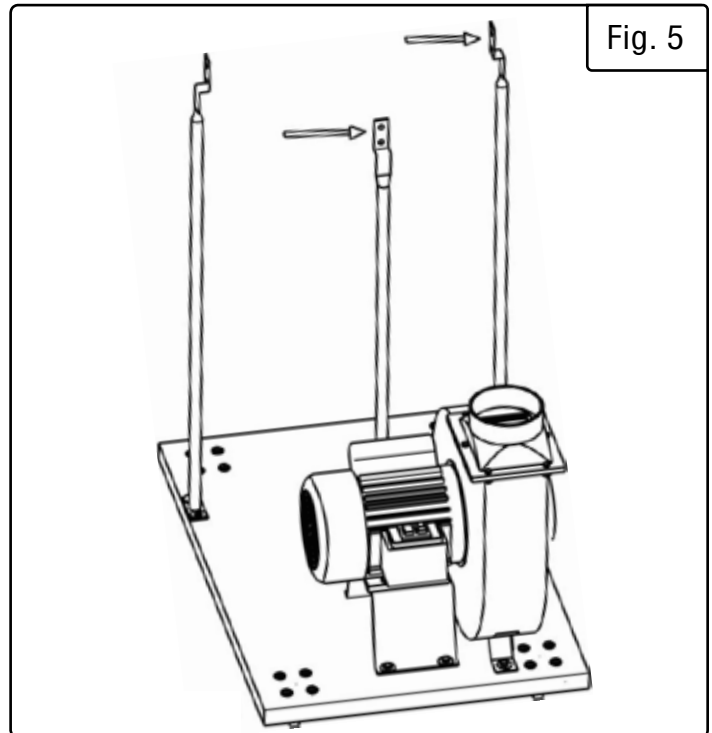
Position the outlet gasket (I) on top of the motor assembly and align the holes as shown. Place the outlet (L) over the gasket and secure it with M6x20 hex screws, M6 washers and M6 Nuts.

2. ATTACHING THE MOTOR ASSEMBLY



Turn the base (D) over and align the motor assembly (B) with the holes on the base as shown. Secure the motor assembly using M8x16 hex screws, M8 washers and M8 nuts.

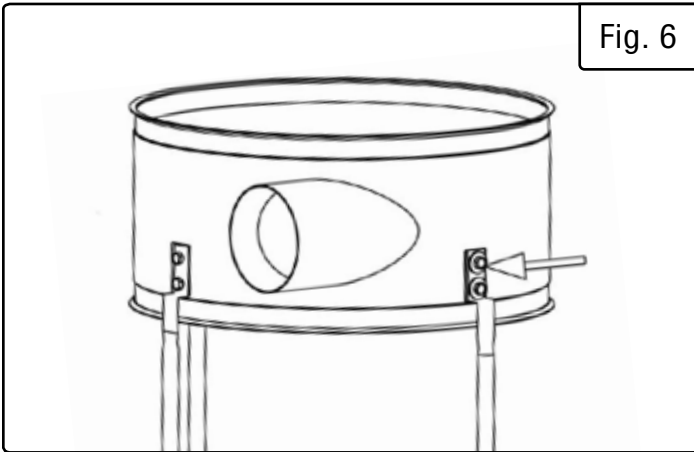
4. INSTALLING THE SUPPORT POLES



Mount the three lower bag support poles (F) to the base in the configuration as shown. Secure the poles with M8x16 hex screws and M8 washers.

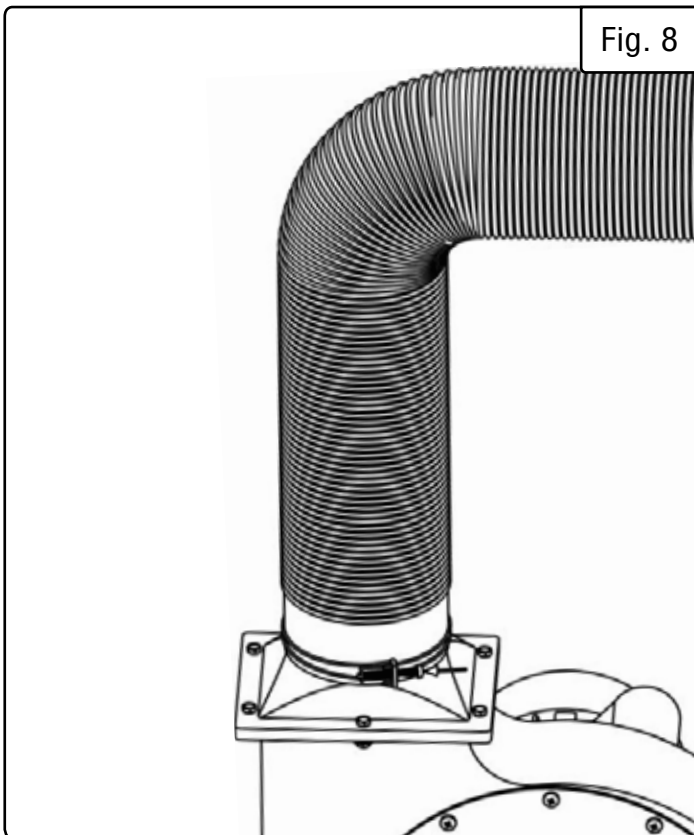
ASSEMBLY & ADJUSTMENTS

5. ASSEMBLING THE COLLECTOR



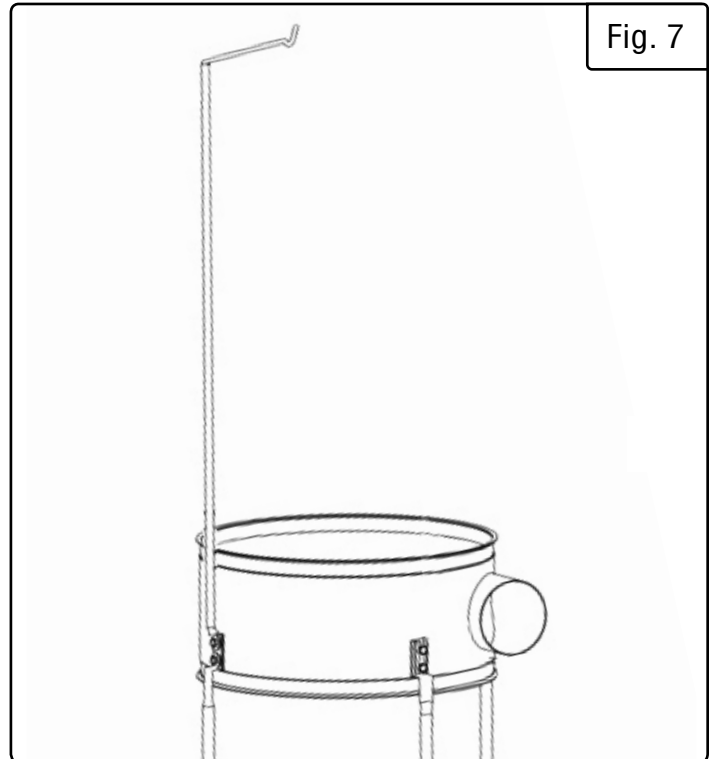
Mount the collector (C) onto the two poles in the front as shown. Make sure that the side port of the collector is facing the motor assembly to prepare it for hose connection in Step 7. Secure them with M8x16 hex screws and M8 washers.

7. CONNECTING THE HOSE



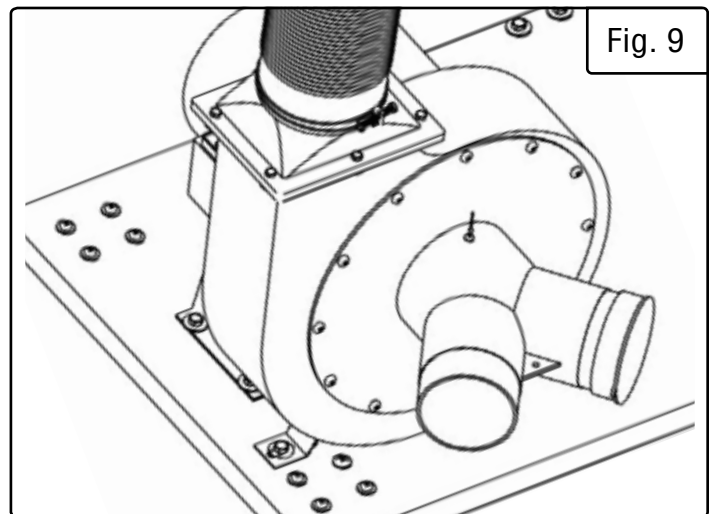
Attach one end of the hose (A) to the motor assembly outlet and attach the other end to the collector outlet. Secure the two ends of the hose with the hose clamps (M) as shown.

6. INSTALL THE UPPER SUPPORT POLE



The upper bag support pole (E) will be installed in the position overlapping the third bottom pole as shown. Secure both poles onto the collector using M8x16 hex screws and M8 washers.

8. INSTALLING THE INLET CONNECTOR



Attach the inlet connector (G) onto the inlet port of the motor assembly. Align the hole on the connector with the hole on the top of the inlet port and secure using a cap screw.

ASSEMBLY & ADJUSTMENTS

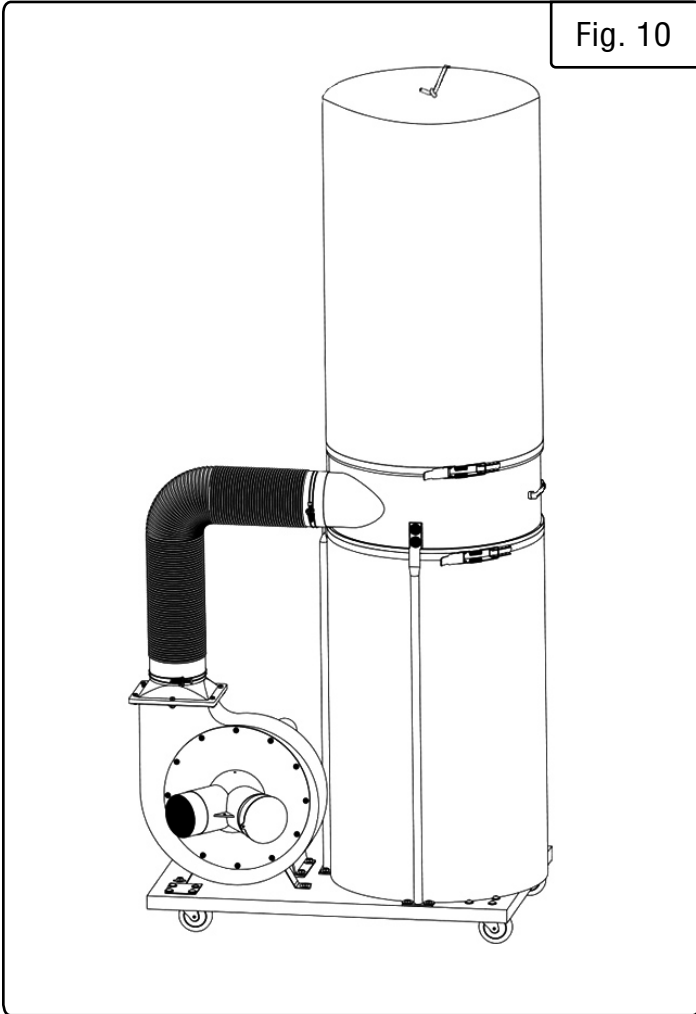


Fig. 10

9. INSTALLING THE FILTER BAG

Hang the filter bag (white) onto the hook of the upper bag support pole. Attach the bag over the top opening of the collector. Secure it with a bag clamp (O).

10. INSTALLING THE COLLECTION BAG

Attach the plastic collection bag over the bottom opening of the collector around the rubber strip. Bag clips are located around the collector to assist in holding up the collection bag. The clips are placed slightly above the legs so that the bag can be held at the suitable height. Simply lift the metal plate of the clips and tuck in the bag. Then, use the second bag clamp (O) to secure the bag all the way around the collector.


11. INSTALLING THE HANDLE


Install the handle (N) onto the back of the collector using M8x20 hex screws as shown.

NOTE: When transporting the dust collector, only pull on the handle. Do not use the support poles for transportation purposes as they are not designed for pulling and might come loose.

Your dust collector is now ready to be placed into service. Before connecting to a power source, be sure the power source is properly grounded and is of proper voltage and amperage (See page 7, Electrical Information).

OPERATION


 **WARNING!** To prevent serious injury, make sure all the warnings and instructions have been read and understood before operating this tool.

 **WARNING!** Wear appropriate respirator or dust mask and safety glasses when operating the dust collector. Small dust particles can escape from the filter bag, causing them to become airborne and easily inhaled. This microscopic airborne dust is extremely unhealthy to breathe and can cause health problems.

1. Connect the dust collector to your woodworking machine using a 4-inch dust collection hose (not included). Adaptors may be needed depending the dust port size of your machine.
2. When starting the dust collector, the amperage may spike up to 80 amps for a short moment and this can risk tripping the electrical circuit. Be sure to both inlet ports are covered before starting your dust collector. The least amount of power will be drawn when there is no air flow.
3. Making sure the dust collector switch is in the OFF position, insert the power plug into a matching receptacle. Then, switch ON the dust collector and start operating your woodworking machine.


REPLACING THE COLLECTION BAG

Empty the collection bag on a regular basis. This will allow the dust collector to operate at its maximum efficiency. Replacement collection bags can be purchased from **wenproducts.com** by searching the part number **3403-036**.

 **WARNING!** Always wear the appropriate respirator or dust mask and safety glasses when emptying the collection bags. Small dust particles can escape, causing them to become airborne and easily inhaled. This microscopic airborne dust is extremely unhealthy to breathe and can cause health problems.

1. Disconnect the dust collector from the power outlet. Make sure you are wearing a respirator or dust mask, and safety glasses.
2. Release the belt clamp securing the collection bag, then remove the bag from the collector.
3. Securely close the top of the bag and safely dispose of it according to local and federal standards.
4. Install a new collection bag.

MAINTENANCE

 **WARNING!** Always ensure that the tool is switched off and the plug is removed from the outlet before making any cleaning, adjustments or maintenance procedures. Servicing of the tool must be performed by a qualified technician.

1. Before each use, inspect the general condition of the tool.

Check for:

- Loose hardware,
- Misalignment or binding of moving parts,
- Damaged cord/electrical wiring,
- Cracked or broken parts, and
- Any other condition that may affect its safe operation.

1. Regularly clean dust, chips and other particles from the dust collector. If operation is excessively dusty or dirty, frequent inspection of motor is required. Vacuum any particles that may have entered the motor.

2. Inspect the dust collector for any damaged or worn parts. Replace any damaged parts immediately for safe and efficient operation. Frequently check that all nuts, bolts, screws have not loosened due to vibration.

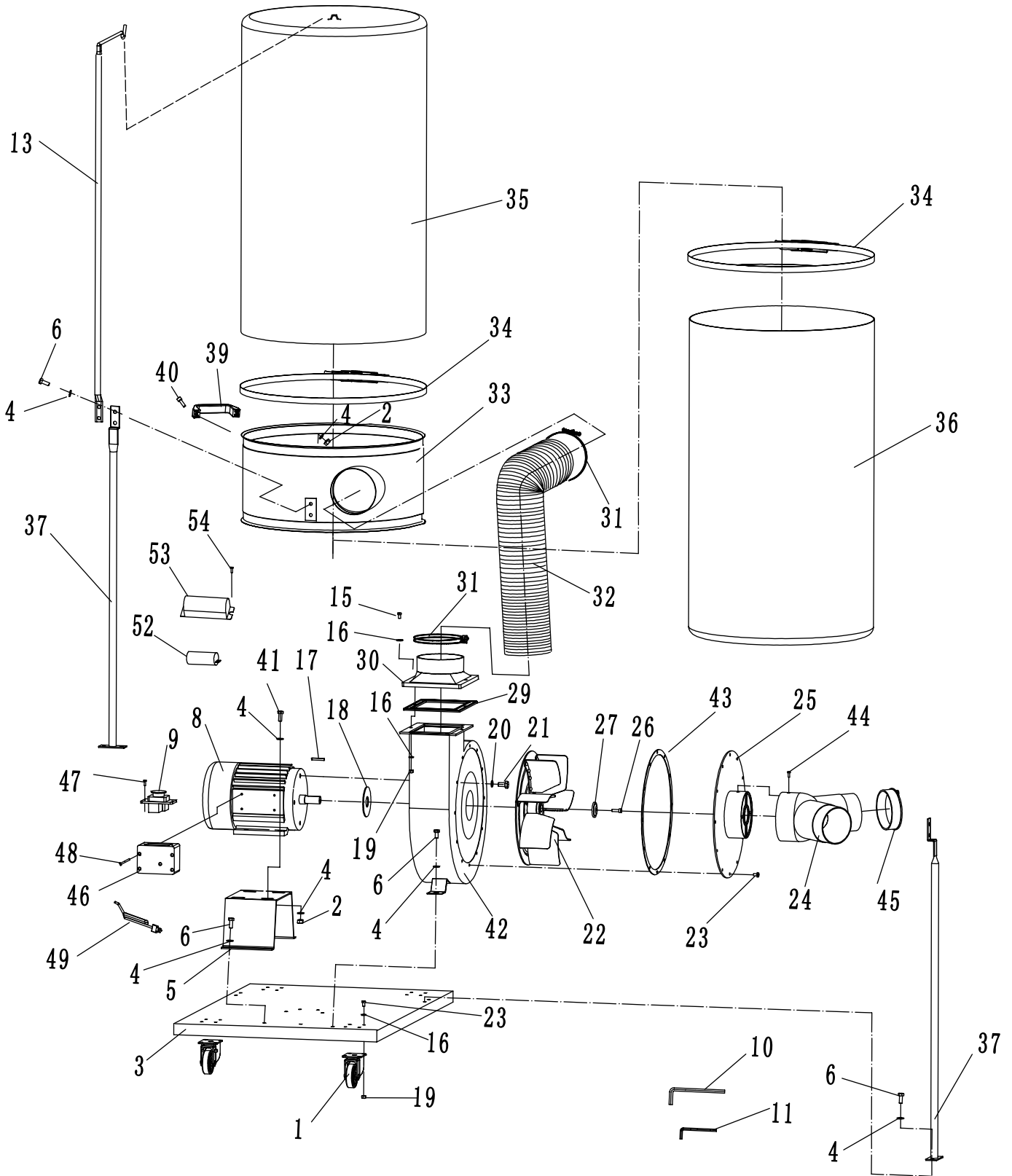
3. Regularly check and empty the collection bag. Always wear respirator and safety glasses when removing, emptying or replacing collection bags. Empty dust away from ignition sources and into an approved container.

4. Store the tool in a clean and dry place away from the reach of children.

PRODUCT DISPOSAL

Used power tools should not be disposed of together with household waste. This product contains electronic components that should be recycled. Please take this product to your local recycling facility for responsible disposal and to minimize its environmental impact.

EXPLODED VIEW & PARTS LIST



NOTE: Not all parts may be available for purchase. Parts and accessories that wear down over the course of normal use are not covered under the warranty.

EXPLODED VIEW & PARTS LIST

| No. | Parts No. | Description | Qty. |
|-----|------------|-------------------------------|------|
| 1 | DC1300-001 | Caster | 4 |
| 2 | 3403-002 | Nut M8 | 6 |
| 3 | 3403-003 | Base Plate | 1 |
| 4 | 3403-004 | Washer ø8 | 28 |
| 5 | 3403-005 | Motor Base | 1 |
| 6 | 3403-006 | Hex Screw M8x16 | 18 |
| 8 | DC1300-008 | Motor | 1 |
| 9 | 3403-009 | Switch | 1 |
| 10 | 3403-010 | Hex Wrench M6 (for No. 40) | 1 |
| 11 | 3403-011 | Hex Wrench M5 (for No. 26) | 1 |
| 13 | 3403-013 | Upper Bag Support | 1 |
| 15 | 3403-015 | Hex Screw M6x20 | 6 |
| 16 | 3403-016 | Washer ø6 | 28 |
| 17 | 3403-017 | Key A5x25 | 1 |
| 18 | 3403-018 | Packing | 1 |
| 19 | 3403-019 | Nut M6 | 22 |
| 20 | 3403-020 | Spring Washer ø10 | 4 |
| 21 | 3403-021 | Hex Screw M10x16 | 4 |
| 22 | DC1300-022 | Turbo Fan | 1 |
| 23 | 3403-023 | Screw M6x10 | 28 |
| 24 | 3403-024 | Inlet | 1 |
| 25 | 3403-025 | Inlet Cover | 1 |
| 26 | 3403-026 | Hex Screw M6x20 (left) | 1 |

| No. | Parts No. | Description | Qty. |
|-----|------------|------------------------------------|------|
| 27 | 3403-027 | Washer | 1 |
| 29 | 3403-029 | Outlet Gasket | 1 |
| 30 | 3403-030 | Outlet | 1 |
| 31 | 3403-031 | Hose Clamp | 2 |
| 32 | 3403-032 | Hose ø125x75mm | 1 |
| 33 | 3403-033 | Collector | 1 |
| 34 | DC1300-034 | Bag Clamp | 2 |
| 35 | 3403-035 | Filter Bag | 1 |
| 36 | 3403-036 | Collector Bag | 1 |
| 37 | 3403-037 | Collector Support | 3 |
| 39 | 3403-039 | Handle | 1 |
| 40 | 3403-040 | Hex Screw M8x20 | 2 |
| 41 | 3403-041 | Hex Screw M8x25 | 4 |
| 42 | 3403-042 | Fan Housing | 1 |
| 43 | 3403-043 | Packing | 1 |
| 44 | 3403-044 | Cap Screw | 1 |
| 45 | 3403-045 | Cover | 1 |
| 46 | DC1300-046 | Switch Box | 1 |
| 47 | 3403-047 | Screw ST4.2x13 | 2 |
| 48 | 3403-048 | Screw ST4x60 | 4 |
| 49 | DC1300-049 | Plug and Cord | 1 |
| 52 | 3403-052 | Capacitor 2 (Blue) (400uf/125V) | 1 |
| 53 | 3403-053 | Capacitor Cover | 1 |
| 54 | 3403-054 | Screw | 2 |

NOTE: Not all parts may be available for purchase. Parts and accessories that wear down over the course of normal use are not covered under the warranty.

WARRANTY STATEMENT

WEN Products is committed to building tools that are dependable for years. Our warranties are consistent with this commitment and our dedication to quality.

LIMITED WARRANTY OF WEN PRODUCTS FOR HOME USE

GREAT LAKES TECHNOLOGIES, LLC (“Seller”) warrants to the original purchaser only, that all WEN consumer power tools will be free from defects in material or workmanship during personal use for a period of two (2) years from date of purchase or 500 hours of use; whichever comes first. Ninety days for all WEN products if the tool is used for professional or commercial use. Purchaser has 30 days from the date of purchase to report missing or damaged parts.

SELLER’S SOLE OBLIGATION AND YOUR EXCLUSIVE REMEDY under this Limited Warranty and, to the extent permitted by law, any warranty or condition implied by law, shall be the replacement of parts, without charge, which are defective in material or workmanship and which have not been subjected to misuse, alteration, careless handling, misrepair, abuse, neglect, normal wear and tear, improper maintenance, or other conditions adversely affecting the Product or the component of the Product, whether by accident or intentionally, by persons other than Seller. To make a claim under this Limited Warranty, you must make sure to keep a copy of your proof of purchase that clearly defines the Date of Purchase (month and year) and the Place of Purchase. Place of Purchase must be a direct vendor of Great Lakes Technologies, LLC. Purchasing through third party vendors, including but not limited to garage sales, pawn shops, resale shops, or any other secondhand merchant, voids the warranty included with this product. Contact techsupport@wenproducts.com or 1-800-232-1195 with the following information to make arrangements: your shipping address, phone number, serial number, required part numbers, and proof of purchase. Damaged or defective parts and products may need to be sent to WEN before the replacements can be shipped out.

Upon the confirmation of a WEN representative, your product may qualify for repairs and service work. When returning a product for warranty service, the shipping charges must be prepaid by the purchaser. The product must be shipped in its original container (or an equivalent), properly packed to withstand the hazards of shipment. The product must be fully insured with a copy of the proof of purchase enclosed. There must also be a description of the problem in order to help our repairs department diagnose and fix the issue. Repairs will be made and the product will be returned and shipped back to the purchaser at no charge for addresses within the contiguous United States.

THIS LIMITED WARRANTY DOES NOT APPLY TO ITEMS THAT WEAR OUT FROM REGULAR USAGE OVER TIME, INCLUDING BELTS, BRUSHES, BLADES, BATTERIES, ETC. ANY IMPLIED WARRANTIES SHALL BE LIMITED IN DURATION TO TWO (2) YEARS FROM DATE OF PURCHASE. SOME STATES IN THE U.S. AND SOME CANADIAN PROVINCES DO NOT ALLOW LIMITATIONS ON HOW LONG AN IMPLIED WARRANTY LASTS, SO THE ABOVE LIMITATION MAY NOT APPLY TO YOU.

IN NO EVENT SHALL SELLER BE LIABLE FOR ANY INCIDENTAL OR CONSEQUENTIAL DAMAGES (INCLUDING BUT NOT LIMITED TO LIABILITY FOR LOSS OF PROFITS) ARISING FROM THE SALE OR USE OF THIS PRODUCT. SOME STATES IN THE U.S. AND SOME CANADIAN PROVINCES DO NOT ALLOW THE EXCLUSION OR LIMITATION OF INCIDENTAL OR CONSEQUENTIAL DAMAGES, SO THE ABOVE LIMITATION OR EXCLUSION MAY NOT APPLY TO YOU.

THIS LIMITED WARRANTY GIVES YOU SPECIFIC LEGAL RIGHTS, AND YOU MAY ALSO HAVE OTHER RIGHTS WHICH VARY FROM STATE TO STATE IN THE U.S., PROVINCE TO PROVINCE IN CANADA AND FROM COUNTRY TO COUNTRY.

THIS LIMITED WARRANTY APPLIES ONLY TO ITEMS SOLD WITHIN THE UNITED STATES OF AMERICA, CANADA AND THE COMMONWEALTH OF PUERTO RICO. FOR WARRANTY COVERAGE WITHIN OTHER COUNTRIES, CONTACT THE WEN CUSTOMER SUPPORT LINE. FOR WARRANTY PARTS OR PRODUCTS REPAIRED UNDER WARRANTY SHIPPING TO ADDRESSES OUTSIDE OF THE CONTIGUOUS UNITED STATES, ADDITIONAL SHIPPING CHARGES MAY APPLY.