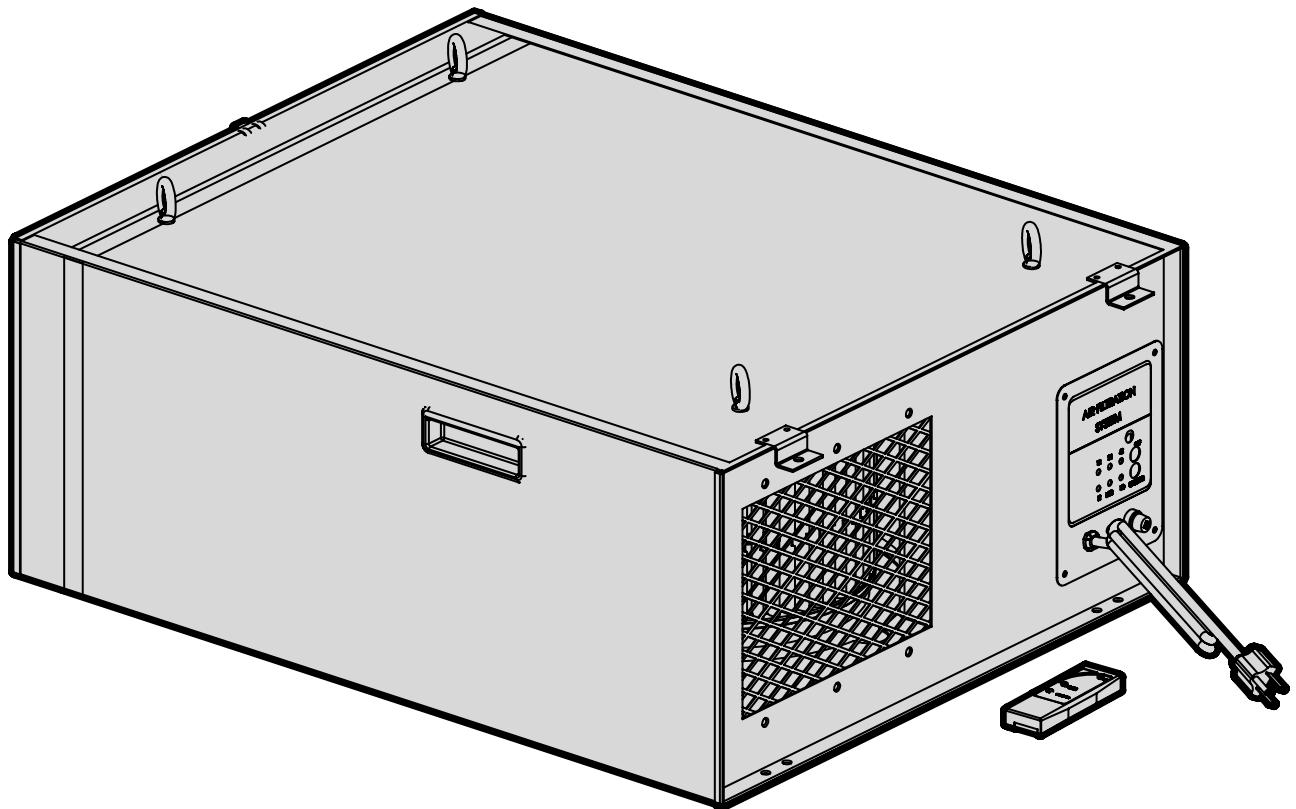




**MODEL AF1270**

# ***INDUSTRIAL-STRENGTH AIR FILTRATION SYSTEM***

**Instruction Manual**



## ***NEED HELP? CONTACT US!***

Have product questions? Need technical support? Please feel free to contact us:



**1-800-232-1195 (M-F 8AM-5PM CST)**



**TECHSUPPORT@WENPRODUCTS.COM**

**IMPORTANT:** Your new tool has been engineered and manufactured to WEN's highest standards for dependability, ease of operation, and operator safety. When properly cared for, this product will supply you years of rugged, trouble-free performance. Pay close attention to the rules for safe operation, warnings, and cautions. If you use your tool properly and for its intended purpose, you will enjoy years of safe, reliable service.

For replacement parts and the most up-to-date instruction manuals, visit ***WENPRODUCTS.COM***

# CONTENTS

<b>WELCOME</b>	<b>3</b>
Introduction .....	3
Specifications.....	3
<b>SAFETY</b>	<b>4</b>
General Safety Rules .....	4
Air Filtration System Safety Warnings.....	6
Electrical Information.....	7
<b>BEFORE OPERATING</b>	<b>8</b>
Unpacking & Packing List .....	8
Know Your Air Filtration System .....	8
Assembly & Adjustments.....	9
<b>OPERATION &amp; MAINTENANCE</b>	<b>11</b>
Operation .....	11
Maintenance.....	12
Troubleshooting Guide.....	13
Exploded View & Parts List.....	14
Warranty Statement .....	16


To purchase accessories and replacement parts for your tool, visit **WENPRODUCTS.COM**

**1-Micron Industrial-Strength Inner Air Filter (Model 3415AF1)**

**5-Micron Industrial-Strength Outer Air Filter (Model 3415AF5)**

## INTRODUCTION

Thanks for purchasing the WEN Air Filtration System. We know you are excited to put your tool to work, but first, please take a moment to read through the manual. Safe operation of this tool requires that you read and understand this operator's manual and all the labels affixed to the tool. This manual provides information regarding potential safety concerns, as well as helpful assembly and operating instructions for your tool.

 Indicates danger, warning, or caution. The safety symbols and the explanations with them deserve your careful attention and understanding. Always follow the safety precautions to reduce the risk of fire, electric shock or personal injury. However, please note that these instructions and warnings are not substitutes for proper accident prevention measures.

**NOTE:** The following safety information is not meant to cover all possible conditions and situations that may occur. WEN reserves the right to change this product and specifications at any time without prior notice.

At WEN, we are continuously improving our products. If you find that your tool does not exactly match this manual, please visit [wenproducts.com](http://wenproducts.com) for the most up-to-date manual or contact our customer service at **1-800-232-1195**.

**Keep this manual available to all users during the entire life of the tool and review it frequently to maximize safety for both yourself and others.**

## SPECIFICATIONS

Model Number	AF1270
Motor	120V, 60 Hz, 4.2A
Max Airflow	1270 CFM (High Speed)
	950 CFM (Medium Speed)
	750 CFM (Low Speed)
Air Filters	Inner Filter: 1 Micron, Model 3415AF1
	Outer Filter: 5 Microns, Model 3415AF5
Noise Rating	63 - 68 dBA
Max Remote Control Distance	26 Feet
Fuse	F8AL250V, 6mm x 30mm
Product Weight	55 Pounds
Product Dimensions	30.3 in. x 24 in. x 12.2 in.

# GENERAL SAFETY RULES

 **WARNING!** Read all safety warnings and all instructions. Failure to follow the warnings and instructions may result in electric shock, fire and/or serious injury.

Safety is a combination of common sense, staying alert and knowing how your item works. The term “power tool” in the warnings refers to your mains-operated (corded) power tool or battery-operated (cordless) power tool.

## SAVE THESE SAFETY INSTRUCTIONS.

### WORK AREA SAFETY

- 1. Keep work area clean and well lit.** Cluttered or dark areas invite accidents.
- 2. Do not operate power tools in explosive atmospheres, such as in the presence of flammable liquids, gases or dust.** Power tools create sparks which may ignite the dust or fumes.
- 3. Keep children and bystanders away while operating a power tool.** Distractions can cause you to lose control.

### ELECTRICAL SAFETY

- 1. Power tool plugs must match the outlet. Never modify the plug in any way. Do not use any adapter plugs with earthed (grounded) power tools.** Unmodified plugs and matching outlets will reduce risk of electric shock.
- 2. Avoid body contact with earthed or grounded surfaces such as pipes, radiators, ranges and refrigerators.** There is an increased risk of electric shock if your body is earthed or grounded.
- 3. Do not expose power tools to rain or wet conditions.** Water entering a power tool will increase the risk of electric shock.
- 4. Do not abuse the cord. Never use the cord for carrying, pulling or unplugging the power tool. Keep cord away from heat, oil, sharp edges or moving parts.** Damaged or entangled cords increase the risk of electric shock.
- 5. When operating a power tool outdoors, use an extension cord suitable for outdoor use.** Use of a cord suitable for outdoor use reduces the risk of electric shock.

- 6. If operating a power tool in a damp location is unavoidable, use a ground fault circuit interrupter (GFCI) protected supply.** Use of a GFCI reduces the risk of electric shock.

### PERSONAL SAFETY

- 1. Stay alert, watch what you are doing and use common sense when operating a power tool. Do not use a power tool while you are tired or under the influence of drugs, alcohol or medication.** A moment of inattention while operating power tools may result in serious personal injury.
- 2. Use personal protective equipment. Always wear eye protection.** Protective equipment such as a respiratory mask, non-skid safety shoes and hearing protection used for appropriate conditions will reduce the risk of personal injury.
- 3. Prevent unintentional starting. Ensure the switch is in the off-position before connecting to power source and/or battery pack, picking up or carrying the tool.** Carrying power tools with your finger on the switch or energizing power tools that have the switch on invites accidents.
- 4. Remove any adjusting key or wrench before turning the power tool on.** A wrench or a key left attached to a rotating part of the power tool may result in personal injury.
- 5. Do not overreach. Keep proper footing and balance at all times.** This enables better control of the power tool in unexpected situations.
- 6. Dress properly. Do not wear loose clothing or jewelry. Keep your hair and clothing away from moving parts.** Loose clothes, jewelry or long hair can be caught in moving parts.

# GENERAL SAFETY RULES

 **WARNING!** Read all safety warnings and all instructions. Failure to follow the warnings and instructions may result in electric shock, fire and/or serious injury.

Safety is a combination of common sense, staying alert and knowing how your item works. The term “power tool” in the warnings refers to your mains-operated (corded) power tool or battery-operated (cordless) power tool.

## SAVE THESE SAFETY INSTRUCTIONS.

**7. If devices are provided for the connection of dust extraction and collection facilities, ensure these are connected and properly used.** Use of dust collection can reduce dust-related hazards.

### POWER TOOL USE AND CARE

**1. Do not force the power tool. Use the correct power tool for your application.** The correct power tool will do the job better and safer at the rate for which it was designed.

**2. Do not use the power tool if the switch does not turn it on and off.** Any power tool that cannot be controlled with the switch is dangerous and must be repaired.

**3. Disconnect the plug from the power source and/or the battery pack from the power tool before making any adjustments, changing accessories, or storing power tools.** Such preventive safety measures reduce the risk of starting the power tool accidentally.

**4. Store idle power tools out of the reach of children and do not allow persons unfamiliar with the power tool or these instructions to operate the power tool.** Power tools are dangerous in the hands of untrained users.

**5. Maintain power tools. Check for misalignment or binding of moving parts, breakage of parts and any other condition that may affect the power tool's operation. If damaged, have the power tool repaired before use.** Many accidents are caused by poorly maintained power tools.

**6. Keep cutting tools sharp and clean.** Properly maintained cutting tools with sharp cutting edges are less likely to bind and are easier to control.

**7. Use the power tool, accessories and tool bits, etc. in accordance with these instructions, taking into account the working conditions and the work to be performed.** Use of the power tool for operations different from those intended could result in a hazardous situation.

**8. Use clamps to secure your workpiece to a stable surface.** Holding a workpiece by hand or using your body to support it may lead to loss of control.

**9. KEEP GUARDS IN PLACE** and in working order.

### SERVICE

**1. Have your power tool serviced by a qualified repair person using only identical replacement parts.** This will ensure that the safety of the power tool is maintained.


### CALIFORNIA PROPOSITION 65 WARNING

Some dust created by power sanding, sawing, grinding, drilling, and other construction activities may contain chemicals, including lead, known to the State of California to cause cancer, birth defects, or other reproductive harm. Wash hands after handling. Some examples of these chemicals are:

- Lead from lead-based paints.
- Crystalline silica from bricks, cement, and other masonry products.
- Arsenic and chromium from chemically treated lumber.

Your risk from these exposures varies depending on how often you do this type of work. To reduce your exposure to these chemicals, work in a well-ventilated area with approved safety equipment such as dust masks specially designed to filter out microscopic particles.

# AIR FILTRATION SYSTEM SAFETY WARNINGS

 **WARNING!** Do not operate the power tool until you have read and understood the following instructions and the warning labels.

## AIR FILTRATION SYSTEM SAFETY

1. To reduce the risk of injury and electric shock hazards, disconnect the air filtration system from the power source before servicing or changing filters.
2. If mounting the air filtration system to the ceiling (recommended for best airflow):
  - Make sure the bottom of the air filtration system is at least 7 feet above the floor level, to avoid hitting your head.
  - Anchor the air filtration system only to building structures capable of holding at least 100 lbs.
  - Do not anchor the filtration system to non-structural components such as drywall, false ceiling panels, etc.
3. Position the air filtration system so that it is at least 3 feet away from any corner or from any heating, cooling, or air circulation vents.
4. This filtration system is only designed to filter dust, small particles, etc. Do not use the air filtration system in environments that have poisonous gases, fumes, noxious smoke, or other chemical risks.
5. Do not expose the air filtration system to water. Do not use in wet or damp environments. Failure to comply with this instruction may cause damage to the unit and electric shock or other injury to the user.
6. Do not connect a power tool that expels waste or dust directly into the air filtration system. Doing so may damage the unit.
7. This filtration system is designed to filter many airborne contaminants that may damage the human respiratory system. However, the use of this system does not mean that other safety measures such as dust masks can be ignored. Seek medical attention immediately if you experience any worrying respiratory symptoms.

# ELECTRICAL INFORMATION

## GROUNDING INSTRUCTIONS

**In the event of a malfunction or breakdown**, grounding provides the path of least resistance for an electric current and reduces the risk of electric shock. This tool is equipped with an electric cord that has an equipment grounding conductor and a grounding plug. The plug **MUST** be plugged into a matching outlet that is properly installed and grounded in accordance with ALL local codes and ordinances.

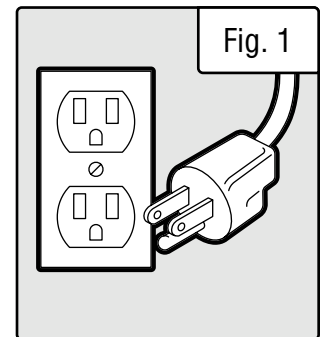
**1. Do not modify the plug provided.** If it will not fit the outlet, have the proper outlet installed by a licensed electrician.

**2. Improper connection** of the equipment grounding conductor can result in electric shock. The conductor with the green insulation (with or without yellow stripes) is the equipment grounding conductor. If repair or replacement of the electric cord or plug is necessary, **DO NOT** connect the equipment grounding conductor to a live terminal.

**3. Check** with a licensed electrician or service personnel if you do not completely understand the grounding instructions or whether the tool is properly grounded.

**4. Use only three-wire extension cords** that have three-pronged plugs and outlets that accept the tool's plug. Repair or replace a damaged or worn cord immediately.

**CAUTION!** In all cases, make certain the outlet in question is properly grounded. If you are not sure, have a licensed electrician check the outlet.



## GUIDELINES AND RECOMMENDATIONS FOR EXTENSION CORDS

When using an extension cord, be sure to use one heavy enough to carry the current your product will draw. An undersized cord will cause a drop in line voltage resulting in loss of power and overheating. The table below shows the correct size to be used according to cord length and ampere rating. When in doubt, use a heavier cord. The smaller the gauge number, the heavier the cord.

AMPERAGE	REQUIRED GAUGE FOR EXTENSION CORDS			
	25 ft.	50 ft.	100 ft.	150 ft.
4.2A	18 gauge	16 gauge	16 gauge	14 gauge

**1. Examine extension cord before use.** Make sure your extension cord is properly wired and in good condition. Always replace a damaged extension cord or have it repaired by a qualified person before using it.

**2. Do not abuse extension cord.** Do not pull on cord to disconnect from receptacle; always disconnect by pulling on plug. Disconnect the extension cord from the receptacle before disconnecting the product from the extension cord. Protect your extension cords from sharp objects, excessive heat and damp/wet areas.

**3. Use a separate electrical circuit for your tool.** This circuit must not be less than a 12-gauge wire and should be protected with a 15A time-delayed fuse. Before connecting the motor to the power line, make sure the switch is in the OFF position and the electric current is rated the same as the current stamped on the motor nameplate. Running at a lower voltage will damage the motor.

# UNPACKING & PACKING LIST

## UNPACKING

With the help of a friend or trustworthy foe, such as one of your in-laws, carefully remove the air filtration system from the packaging and place it on a sturdy, flat surface. Make sure to take out all contents and accessories. Do not discard the packaging until everything is removed. Check the packing list below to make sure you have all of the parts and accessories. If any part is missing or broken, please contact customer service at **1-800-232-1195** (M-F 8-5 CST), or email [techsupport@wenproducts.com](mailto:techsupport@wenproducts.com).

## PACKING LIST

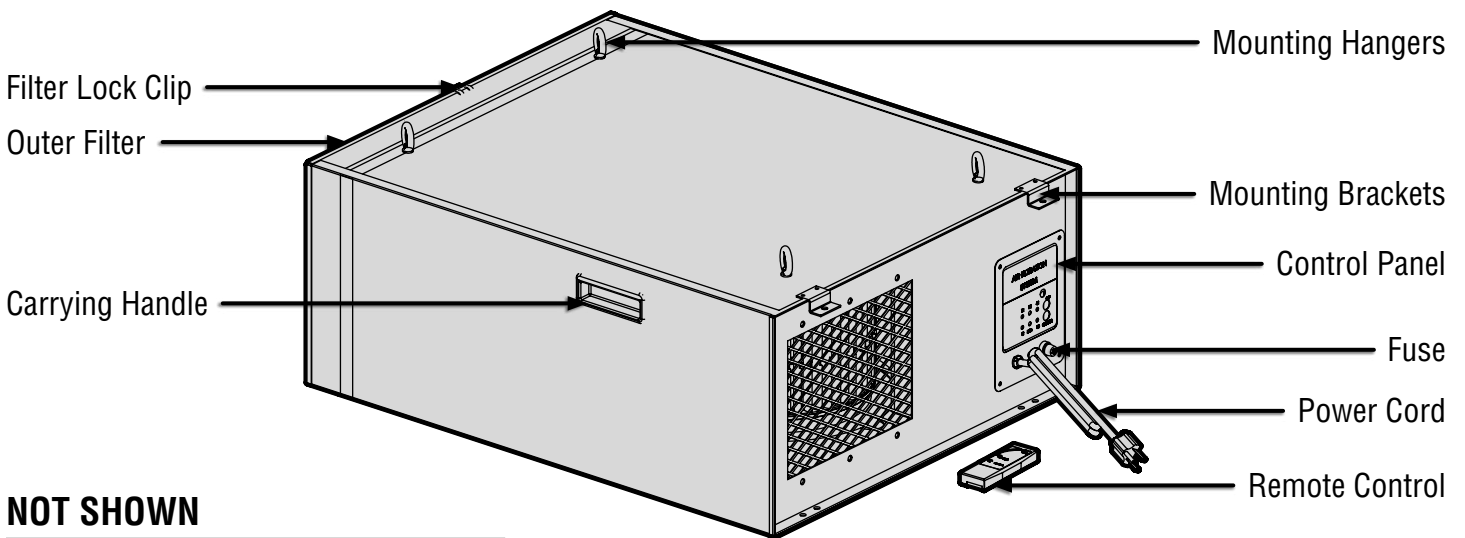
1. Air Filtration System.....	1
<i>(with Inner and Outer Filters Installed)</i>	
2. Mounting Hangers .....	4
3. Mounting Brackets.....	4
4. Hex Wrenches.....	2
5. Rubber Feet.....	4
6. Remote Control.....	1
7. AAA Batteries .....	2
8. Instruction Manual.....	1

## HARDWARE BAG (1)

1. M6 X 4.8 Bolts .....	8
2. M6 Flat Washers .....	8
3. M6 Lock Washers .....	8

**⚠ WARNING!** Foam blocks are installed around the motor inside the cabinet for shipping. The foam must be removed before operation. Take off the outer and inner air filter from the back of the unit and remove the foam blocks around the impeller (See “Remove the Foam Blocks”).

# KNOW YOUR AIR FILTRATION SYSTEM



## NOT SHOWN

Inner Filter  
*(Installed on the inside of the machine)*



# ASSEMBLY & ADJUSTMENTS

**⚠ WARNING!** To prevent serious injury from accidental operation, make sure the power cord is disconnected from the power source and the tool is switch to OFF before assembly or making any adjustments.

The air filtration system is designed to circulate air and filter wood and other non-metallic dust. To achieve the best performance possible, it is important to consider how and where to place the unit. When selecting a site, make sure there is a suitable power source nearby. The use of an extension cord is not recommended.

## REMOVE THE FOAM BLOCKS

**IMPORTANT!** Foam blocks (Fig. 2) are installed around the motor to protect it from shipping damage. They must be removed before operation.

1. Lift up the filter lock clips on the back of the machine to remove the outer filter and inner filter.
2. Remove the inner grating (Fig. 3 - 1) by unscrewing the six Phillips head screws (Fig. 3 - 2).
3. Remove the foam blocks (Fig. 2).
4. Replace the inner grating. Replace the inner and outer filters and close the lock clips.

## ATTACHING THE RUBBER FEET

If desired, attach the four rubber feet to the bottom of the air filtration system (recommended if it will not be ceiling-mounted). Peel the adhesive backing paper off the feet and stick them to the bottom of the system.

## MOUNTING THE UNIT ON THE CEILING

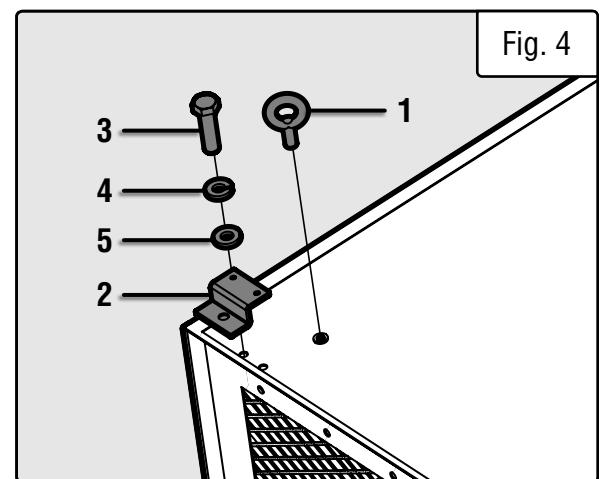
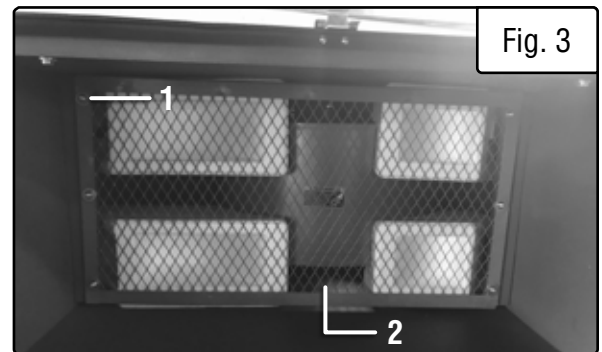
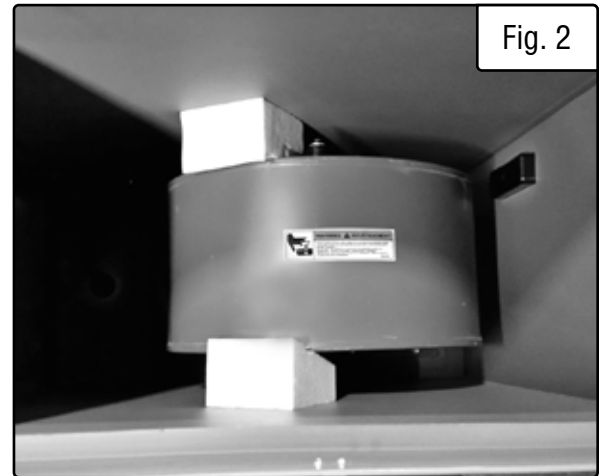
If desired, you can mount the unit to the ceiling using one of two methods: mounting hangers (eyebolts, Fig. 4 - 1) or brackets (Fig. 4 - 2).

### INSTALLING THE HANGERS

Use this option if you would like to hang the unit from the ceiling using wood screws and chains (not included). Thread a mounting hanger (Fig. 4 - 1) into a mounting hole on the top of the air filter housing. Rotate the hanger clockwise to fully tighten it into the hole. Repeat for all four hangers.

### INSTALLING THE BRACKETS

Use this option if you would like to mount the unit directly to the ceiling joists using wood screws (not included). Attach the mounting brackets (Fig. 4 - 2) using two M6 x 4.8 bolts (Fig. 4 - 3), two M6 lock washers (Fig. 4 - 4) and two M6 flat washers (Fig. 4 - 5). Tighten bolts securely using a 10mm socket or wrench (not included). Repeat for all four mounting brackets.



# ASSEMBLY & ADJUSTMENTS

## CEILING MOUNTING

**⚠ WARNING!** Only anchor the air filtration system to building structures capable of holding at least 100 lbs. Do not mount the air filtration system to non-structural surfaces such as drywall or false ceiling grids. The unit must be situated at least 7 feet above the floor (for best airflow performance, as well as to help you avoid hitting your head) and at least 3 feet (1 m) away from any heating, cooling, or air circulation vents.

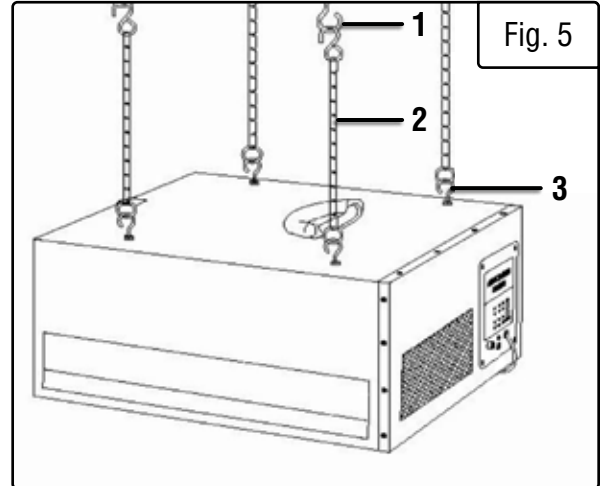
1. Install the wood screw hooks (Fig. 5 - 1) into the building support structure.

**NOTE:** Wood screw hooks and chains used for ceiling mounting are not included. Make sure to use chain and hooks that are properly rated for hanging this unit.

2. Place a chain (Fig. 5 - 2) on each wood screw hook.

3. Attach the chain onto the mounting hangers (Fig. 5 - 3). The four mounting brackets can also be used for mounting the unit onto the ceiling or wall.

4. Make sure the unit is horizontally level, and is at least 7 feet above the floor (this maximizes airflow and helps prevent you from hitting your head). If it is not, remove the unit and adjust the length of the chain as needed. Then remount the unit.



# OPERATION

## TURNING ON/OFF AND SETTING THE SPEED

The air filtration system can be operated using the control panel or with the remote control.

1. Plug the power cord into an appropriate power source.
2. Press the ON/Speed button on the control panel (Fig. 6 - 1) or the remote control (Fig. 7 - 1) to power on the air filtration system.
3. The ON/SPEED button also controls the three different settings of the unit. Press the button to change the speed. The LED lights (Fig. 6 - 2) on the control panel will light up to indicate the selected speed - low speed (LO), medium speed (MID) or high speed (HI).
4. Press the OFF button on the control panel (Fig. 6 - 3) or the remote control (Fig. 7 - 2) to turn off the unit.

## SETTING THE TIMER

The timer function allows you to set the length of time (1, 2 or 4 hours) that the air filtration system will operate before shutting itself off automatically. The timer can only be set using the remote control.

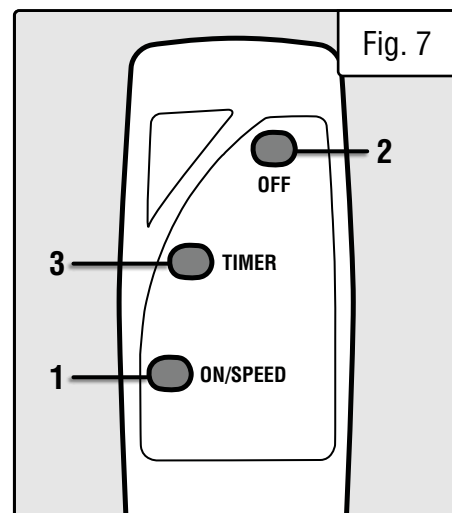
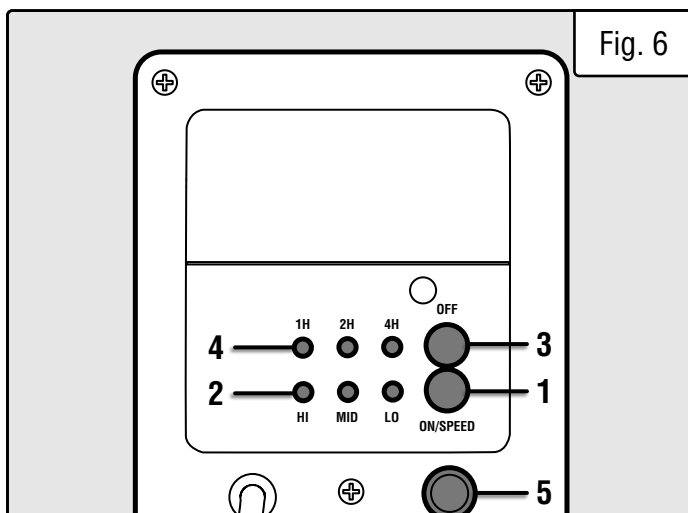
1. Press the TIMER button (Fig. 7 - 3) on the remote control to start the timer. The cycle is 1 hour, 2 hours, 4 hours and clear the timer.
2. The LED lights (Fig. 6 - 4) on the control panel will indicate the amount of time selected. The unit will shut off automatically after the selected time interval elapses. When you clear the timer (no timer lights are showing), the air filtration system will keep running until it is turned off manually by pressing the OFF button.

## FUSE

If the line power circuit or the air filtration system experiences a short, the fuse will blow to protect the system or circuit. To check whether the circuit or unit is at fault, check the filters and clean or replace them if they are dirty. Replace the fuse as instructed below and try the unit on a different circuit. If the unit runs fine, the circuit is faulty and should be checked by a professional electrician. If the fuse blows on a different circuit, there is probably an internal problem with the motor or circuit board. Contact WEN customer service for assistance (**1-800-232-1195**, M-F 8-5 CST).

### To replace the fuse:

1. Turn the fuse cap (Fig. 6 - 5) counterclockwise to loosen and pull the fuse out of the control panel.
2. If the fuse is damaged, insert a new fuse (part no. 3416-057, 8 amps, 6x30mm (F8AL250V)) into the fuse cap and insert it into position. Tighten the fuse cap.



# MAINTENANCE

**⚠ WARNING!** To reduce the risk of injury and electric shock, unplug the air filtration system from the power source before changing the air filters or servicing the unit.

## CHANGING THE FILTERS

Check the inner and outer filters periodically depending on the amount of use and the environment of the shop. Change the filters when needed. Clogged filters will reduce the amount of air circulating through the filter and possibly overload the unit.

Replacement filters for this unit are available in two packs at [wenproducts.com](http://wenproducts.com) and all online retailers where this unit is sold (5-Micron Outer Air Filter - Model 3415AF5, 1-Micron Inner Air Filter - Model 3415AF1).

1. Lift up the upper and lower filter lock clips (Fig. 8 - 1 and Fig. 9 - 1) on the back of the air filter housing. Remove the outer filter (Fig. 8 - 2) from the housing.

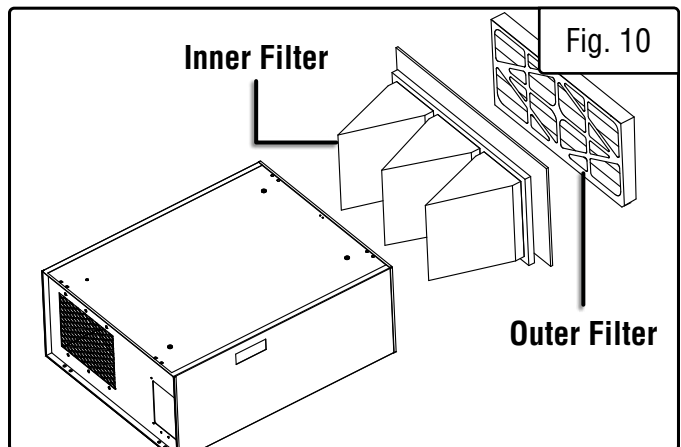
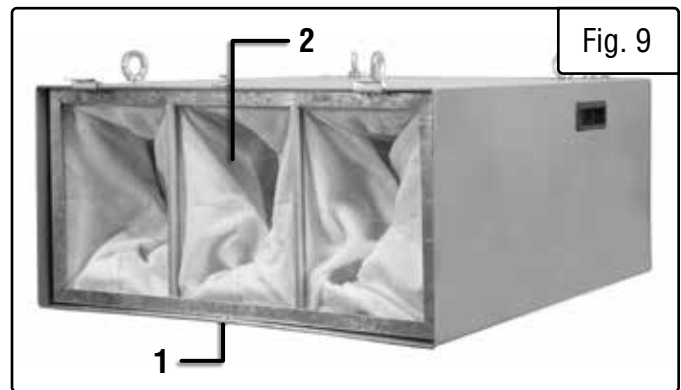
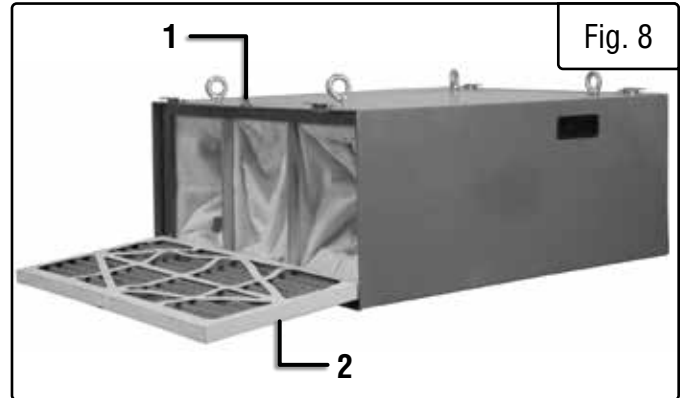
2. Carefully pull the inner filter (Fig. 9 - 2) out of the housing.

3. Install a new inner filter (Model 3415AF1) into the housing and install a new outer filter (Model 3415AF5) on the back of the machine in the configuration as shown in Fig. 10. Ensure that the airflow indicator label on the outer filter points toward the front of the unit.

4. Close the upper and lower lock clips to secure the outer filter in place.

## REPLACING THE REMOTE BATTERIES

1. Open the remote control battery compartment.
2. Replace the used batteries with 2 new AAA batteries.
3. Close the battery compartment.

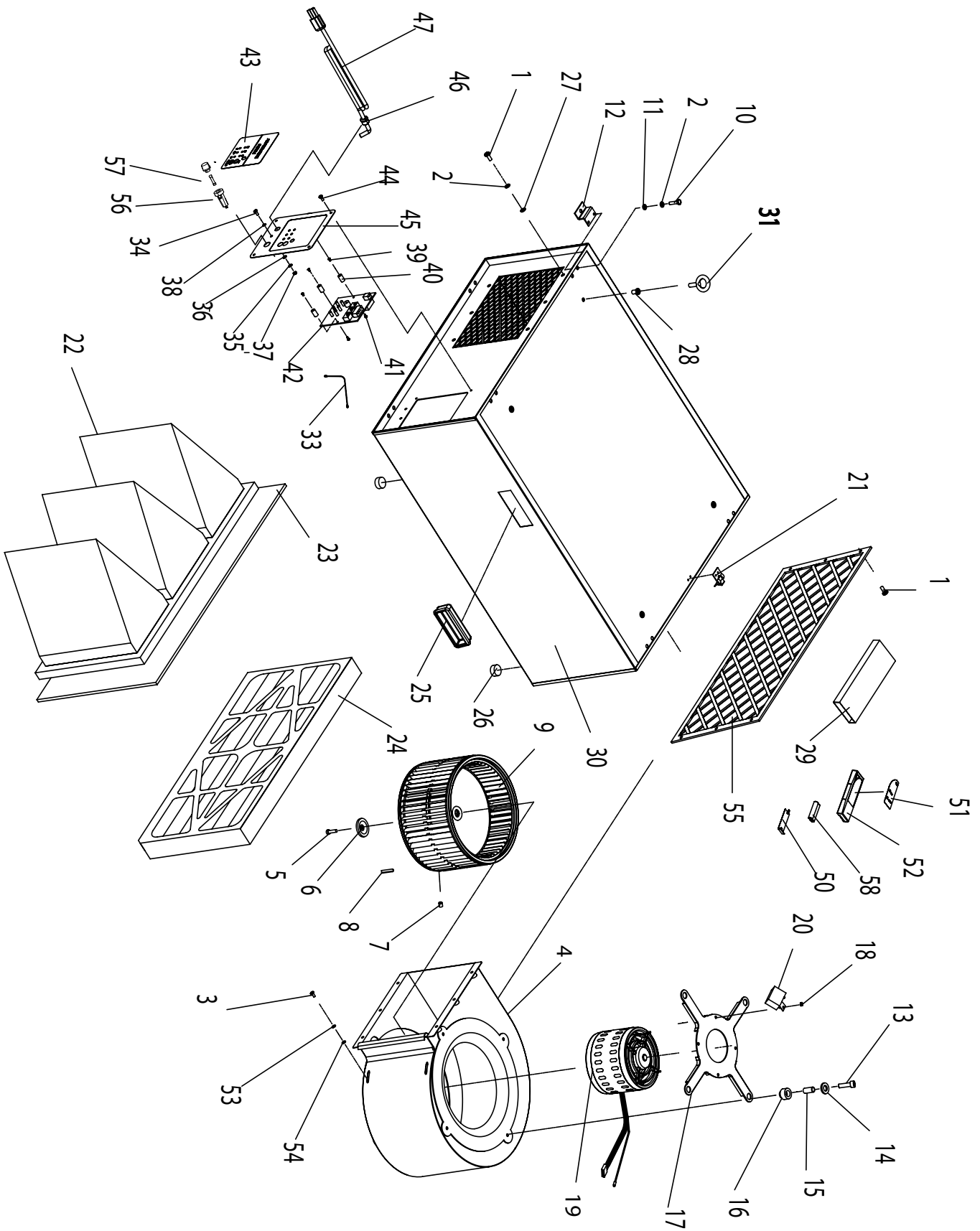


## TROUBLESHOOTING GUIDE

**⚠ WARNING!** Stop using the tool immediately if any of the following problems occur. Repairs and replacements should only be performed by an authorized technician. For any questions, please contact our customer service at **1-(800) 232-1195**, M-F 8-5 CST or email us at **techsupport@wenproducts.com**.

PROBLEM	CAUSE	SOLUTION
Unit will not turn on (using remote).	Unit is not plugged in.	Plug unit in.
	Remote is not pointed at the unit.	Point remote at unit.
	Remote is out of range.	Move closer to unit.
	Remote batteries are dead.	Replace batteries (AAA).
	Fuse has blown.	Replace fuse (part no. 3416-057, 6x30mm, F8AL250V).
	Defective remote, PCB, or motor.	Contact WEN customer service at <b>1-800-232-1195</b> , M-F 8-5 CST.
Unit will not turn on (using control panel).	Unit is not plugged in.	Plug the unit in.
	Fuse has blown.	Replace fuse (part no. 3416-057, 6x30mm, F8AL250V).
	Defective remote, PCB, or motor.	Contact WEN customer service at <b>1-800-232-1195</b> , M-F 8-5 CST.
Unit keeps blowing fuses.	Filters are dirty or clogged.	Clean or replace filters.
	Faulty line power circuit.	Try running the unit on a different circuit.
	Defective remote, PCB, or motor.	Contact WEN customer service at <b>1-800-232-1195</b> , M-F 8-5 CST.
Airflow is insufficient.	Filters are dirty or clogged.	Clean or replace filters.
	Unit is not optimally positioned.	Try re-positioning the unit.
Timer function does not work.	Timer cannot be set using the control panel.	Timer function must be set using the remote.
	Remote is not pointed at the unit.	Point remote at unit.
	Remote is out of range.	Move closer to unit.
	Defective remote or PCB.	Contact WEN customer service at <b>1-800-232-1195</b> , M-F 8-5 CST.
Speed control function does not work.	Remote is not pointed at the unit.	Point remote at unit.
	Remote is out of range.	Move closer to unit.
	Defective remote, PCB, or motor.	Contact WEN customer service at <b>1-800-232-1195</b> , M-F 8-5 CST.

# EXPLODED VIEW & PARTS LIST



**NOTE:** Not all parts may be available for purchase. Parts and accessories that wear down over the course of normal use are not covered under the warranty.

## **EXPLODED VIEW & PARTS LIST**

No.	Part No.	Description	Qty.	No.	Part No.	Description	Qty.
1	3415-001	Phillips Head Screw M6x16	12	29	3415-029	Mount And Bolt Bag	1
2	3415-002	Lock Washer, 6mm	14	30	3415-030	Housing	1
3	3415-003	Phillips Head Screw M4x2	2	31	3415-031	Eye Bolt M10x20	4
4	3415-004	Fan Housing	1	33	3415-033	PCB Wiring Harness	1
5	3415-005	Cap Screw M6x20 (LH)	1	34	3415-034	Phillips Head Screw M4x16	3
6	3415-006	Flange Disk	1	35	3415-035	Lock Washer, 4mm	5
7	3415-007	Hex Bolt, M8x8	1	36	3415-036	Flat Washer, 4mm	5
8	3415-008	Key, 4x4x20	1	37	3415-037	Hex Nut, M4	5
9	AF1270-009	Fan	1	38	3415-038	Toothed Washer, 4mm	5
10	3415-010	Hex Bolt, M6x10	8	39	3415-039	Phillips Head Screw (Special)	3
11	3415-011	Flat Washer, 6mm	8	40	3415-040	Spacer (Special)	1
12	3415-012	Flange Bracket	4	41	3415-041	Phillips Head Screw, M3x6	3
13	3415-013	Hex Bolt, M6x30	4	42	3416-042	PCB	1
14	3415-014	Flat Washer, 6mm	5	43	3416-043	Label (Controls)	1
15	3415-015	Sleeve	4	44	3415-044	Phillips Head Screw M4x10	4
16	3415-016	Spacer	4	45	3415-045	Control Panel	1
17	3415-017	Flange	1	46	3415-046	Strain Relief	1
18	3415-018	Lock Nut M5-0.8	4	47	3415-047	Power Cord	1
19	3416-019	Motor	1	50	3416-050	Remote Control Assembly	1
20	3416-020	Capacitor, 12 mFD	1				
21	3415-021	Filter Retaining Latch	2				
22	3415AF1	Inner Filter, 1-micron	1	52			
23	3415-023	Foam Seal (incl. in Inner Filter)	1	53	3415-053	Flat Washer, 4mm	2
24	3415AF5	Outer Filter, 5-micron	1	54	3415-054	Lock Washer, 4mm	2
25	3415-025	Handle	2	55	3415-055	Motor Grating	1
26	3415-026	Rubber Foot	4	56	3416-056	Fuse Holder	1
27	3415-027	Flat Washer, 6mm	6	57	3416-057	Fuse, F8AL250V, 6x30mm	1
28	3415-028	Rivet Nut M10x21	4	58	3415-058	Remote Battery	2

**NOTE:** Not all parts may be available for purchase. Parts and accessories that wear down over the course of normal use are not covered under the warranty.

# **WARRANTY STATEMENT**

WEN Products is committed to building tools that are dependable for years. Our warranties are consistent with this commitment and our dedication to quality.

## **LIMITED WARRANTY OF WEN PRODUCTS FOR HOME USE**

GREAT LAKES TECHNOLOGIES, LLC (“Seller”) warrants to the original purchaser only, that all WEN consumer power tools will be free from defects in material or workmanship during personal use for a period of two (2) years from date of purchase or 500 hours of use; whichever comes first. Ninety days for all WEN products if the tool is used for professional or commercial use. Purchaser has 30 days from the date of purchase to report missing or damaged parts.

SELLER’S SOLE OBLIGATION AND YOUR EXCLUSIVE REMEDY under this Limited Warranty and, to the extent permitted by law, any warranty or condition implied by law, shall be the replacement of parts, without charge, which are defective in material or workmanship and which have not been subjected to misuse, alteration, careless handling, misrepair, abuse, neglect, normal wear and tear, improper maintenance, or other conditions adversely affecting the Product or the component of the Product, whether by accident or intentionally, by persons other than Seller. To make a claim under this Limited Warranty, you must make sure to keep a copy of your proof of purchase that clearly defines the Date of Purchase (month and year) and the Place of Purchase. Place of Purchase must be a direct vendor of Great Lakes Technologies, LLC. Purchasing through third party vendors, including but not limited to garage sales, pawn shops, resale shops, or any other secondhand merchant, voids the warranty included with this product. Contact [techsupport@wenproducts.com](mailto:techsupport@wenproducts.com) or 1-800-232-1195 with the following information to make arrangements: your shipping address, phone number, serial number, required part numbers, and proof of purchase. Damaged or defective parts and products may need to be sent to WEN before the replacements can be shipped out.

Upon the confirmation of a WEN representative, your product may qualify for repairs and service work. When returning a product for warranty service, the shipping charges must be prepaid by the purchaser. The product must be shipped in its original container (or an equivalent), properly packed to withstand the hazards of shipment. The product must be fully insured with a copy of the proof of purchase enclosed. There must also be a description of the problem in order to help our repairs department diagnose and fix the issue. Repairs will be made and the product will be returned and shipped back to the purchaser at no charge for addresses within the contiguous United States.

THIS LIMITED WARRANTY DOES NOT APPLY TO ITEMS THAT WEAR OUT FROM REGULAR USAGE OVER TIME, INCLUDING BELTS, BRUSHES, BLADES, BATTERIES, ETC. ANY IMPLIED WARRANTIES SHALL BE LIMITED IN DURATION TO TWO (2) YEARS FROM DATE OF PURCHASE. SOME STATES IN THE U.S. AND SOME CANADIAN PROVINCES DO NOT ALLOW LIMITATIONS ON HOW LONG AN IMPLIED WARRANTY LASTS, SO THE ABOVE LIMITATION MAY NOT APPLY TO YOU.

IN NO EVENT SHALL SELLER BE LIABLE FOR ANY INCIDENTAL OR CONSEQUENTIAL DAMAGES (INCLUDING BUT NOT LIMITED TO LIABILITY FOR LOSS OF PROFITS) ARISING FROM THE SALE OR USE OF THIS PRODUCT. SOME STATES IN THE U.S. AND SOME CANADIAN PROVINCES DO NOT ALLOW THE EXCLUSION OR LIMITATION OF INCIDENTAL OR CONSEQUENTIAL DAMAGES, SO THE ABOVE LIMITATION OR EXCLUSION MAY NOT APPLY TO YOU.

THIS LIMITED WARRANTY GIVES YOU SPECIFIC LEGAL RIGHTS, AND YOU MAY ALSO HAVE OTHER RIGHTS WHICH VARY FROM STATE TO STATE IN THE U.S., PROVINCE TO PROVINCE IN CANADA AND FROM COUNTRY TO COUNTRY.

THIS LIMITED WARRANTY APPLIES ONLY TO ITEMS SOLD WITHIN THE UNITED STATES OF AMERICA, CANADA AND THE COMMONWEALTH OF PUERTO RICO. FOR WARRANTY COVERAGE WITHIN OTHER COUNTRIES, CONTACT THE WEN CUSTOMER SUPPORT LINE. FOR WARRANTY PARTS OR PRODUCTS REPAIRED UNDER WARRANTY SHIPPING TO ADDRESSES OUTSIDE OF THE CONTIGUOUS UNITED STATES, ADDITIONAL SHIPPING CHARGES MAY APPLY.