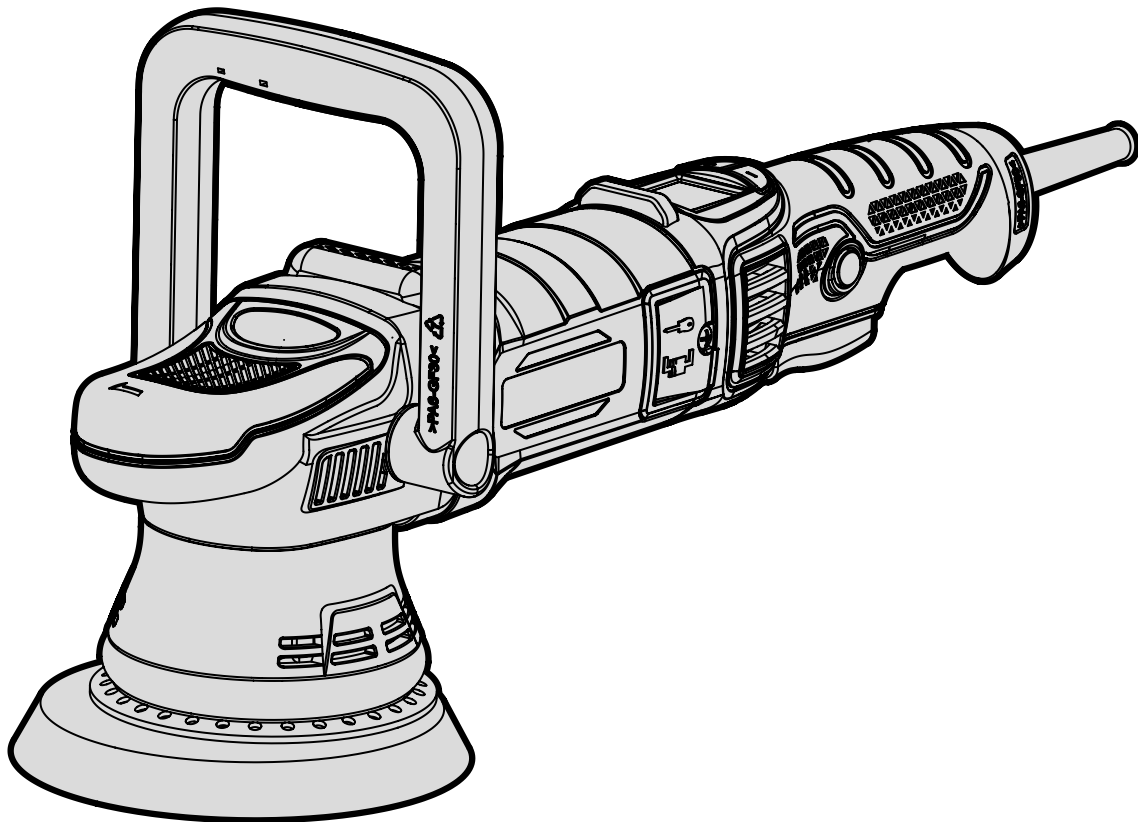




MODEL AA6158

DUAL ACTION 5-INCH POLISHER

Instruction Manual



NEED HELP? CONTACT US!

Have product questions? Need technical support? Please feel free to contact us:



1-847-429-9263 (M-F 8AM-5PM CST)



TECHSUPPORT@WENPRODUCTS.COM

IMPORTANT: Your new tool has been engineered and manufactured to WEN's highest standards for dependability, ease of operation, and operator safety. When properly cared for, this product will supply you years of rugged, trouble-free performance. Pay close attention to the rules for safe operation, warnings, and cautions. If you use your tool properly and for its intended purpose, you will enjoy years of safe, reliable service.

For replacement parts and the most up-to-date instruction manuals, visit ***WENPRODUCTS.COM***

CONTENTS

WELCOME	3
Introduction	3
Specifications.....	3
SAFETY	4
General Safety Rules.....	4
Polisher Safety Warnings.....	6
Electrical Information.....	7
BEFORE OPERATING	8
Unpacking & Packing List.....	8
Know Your Polisher	9
Assembly & Adjustments.....	9
OPERATION & MAINTENANCE	10
Operation	10
Maintenance.....	11
Troubleshooting Guide.....	13
Exploded View & Parts List.....	14
Warranty Statement	16

To purchase accessories and replacement parts for your tool, visit **WENPRODUCTS.COM**


5-Inch Coarse-Grit Hex Foam Polishing Pads (3 Pack) (Model AA1501)

5-Inch Medium-Grit Hex Foam Polishing Pads (3 Pack) (Model AA1502)

5-Inch Fine-Grit Hex Foam Polishing Pads (3 Pack) (Model AA1503)

INTRODUCTION

Thanks for purchasing the WEN Polisher. We know you are excited to put your tool to work, but first, please take a moment to read through the manual. Safe operation of this tool requires that you read and understand this operator's manual and all the labels affixed to the tool. This manual provides information regarding potential safety concerns, as well as helpful assembly and operating instructions for your tool.

 **SAFETY ALERT SYMBOL:** Indicates danger, warning, or caution. The safety symbols and the explanations with them deserve your careful attention and understanding. Always follow the safety precautions to reduce the risk of fire, electric shock or personal injury. However, please note that these instructions and warnings are not substitutes for proper accident prevention measures.

NOTE: The following safety information is not meant to cover all possible conditions and situations that may occur. WEN reserves the right to change this product and specifications at any time without prior notice.

At WEN, we are continuously improving our products. If you find that your tool does not exactly match this manual, please visit wenproducts.com for the most up-to-date manual or contact our customer service at **1-847-429-9263**.

Keep this manual available to all users during the entire life of the tool and review it frequently to maximize safety for both yourself and others.

SPECIFICATIONS

Model Number	AA6158
Motor	120V, 60 Hz, 8A
No-Load Speed	2000 - 5200 RPM
Orbit	0.59 Inch (15mm)
Polishing Pad	5 Inches
Power Cord	16 Feet, UL Plug
Product Dimensions	17.75 in. x 4.75 in. x 5.75 in.
Product Weight	6.7 Pounds

GENERAL SAFETY RULES

 **WARNING!** Read all safety warnings and all instructions. Failure to follow the warnings and instructions may result in electric shock, fire and/or serious injury.

Safety is a combination of common sense, staying alert and knowing how your item works. The term “power tool” in the warnings refers to your mains-operated (corded) power tool or battery-operated (cordless) power tool.

SAVE THESE SAFETY INSTRUCTIONS.

WORK AREA SAFETY

- 1. Keep work area clean and well lit.** Cluttered or dark areas invite accidents.
- 2. Do not operate power tools in explosive atmospheres, such as in the presence of flammable liquids, gases or dust.** Power tools create sparks which may ignite the dust or fumes.
- 3. Keep children and bystanders away while operating a power tool.** Distractions can cause you to lose control.

ELECTRICAL SAFETY

- 1. Power tool plugs must match the outlet. Never modify the plug in any way. Do not use any adapter plugs with earthed (grounded) power tools.** Unmodified plugs and matching outlets will reduce risk of electric shock.
- 2. Avoid body contact with earthed or grounded surfaces such as pipes, radiators, ranges and refrigerators.** There is an increased risk of electric shock if your body is earthed or grounded.
- 3. Do not expose power tools to rain or wet conditions.** Water entering a power tool will increase the risk of electric shock.
- 4. Do not abuse the cord. Never use the cord for carrying, pulling or unplugging the power tool. Keep cord away from heat, oil, sharp edges or moving parts.** Damaged or entangled cords increase the risk of electric shock.
- 5. When operating a power tool outdoors, use an extension cord suitable for outdoor use.** Use of a cord suitable for outdoor use reduces the risk of electric shock.

6. If operating a power tool in a damp location is unavoidable, use a ground fault circuit interrupter (GFCI) protected supply. Use of a GFCI reduces the risk of electric shock.

PERSONAL SAFETY

- 1. Stay alert, watch what you are doing and use common sense when operating a power tool. Do not use a power tool while you are tired or under the influence of drugs, alcohol or medication.** A moment of inattention while operating power tools may result in serious personal injury.
- 2. Use personal protective equipment. Always wear eye protection.** Protective equipment such as a respiratory mask, non-skid safety shoes and hearing protection used for appropriate conditions will reduce the risk of personal injury.
- 3. Prevent unintentional starting. Ensure the switch is in the off-position before connecting to power source and/or battery pack, picking up or carrying the tool.** Carrying power tools with your finger on the switch or energizing power tools that have the switch on invites accidents.
- 4. Remove any adjusting key or wrench before turning the power tool on.** A wrench or a key left attached to a rotating part of the power tool may result in personal injury.
- 5. Do not overreach. Keep proper footing and balance at all times.** This enables better control of the power tool in unexpected situations.
- 6. Dress properly. Do not wear loose clothing or jewelry. Keep your hair and clothing away from moving parts.** Loose clothes, jewelry or long hair can be caught in moving parts.

GENERAL SAFETY RULES

 **WARNING!** Read all safety warnings and all instructions. Failure to follow the warnings and instructions may result in electric shock, fire and/or serious injury.

Safety is a combination of common sense, staying alert and knowing how your item works. The term “power tool” in the warnings refers to your mains-operated (corded) power tool or battery-operated (cordless) power tool.

SAVE THESE SAFETY INSTRUCTIONS.

7. If devices are provided for the connection of dust extraction and collection facilities, ensure these are connected and properly used. Use of dust collection can reduce dust-related hazards.

POWER TOOL USE AND CARE

1. Do not force the power tool. Use the correct power tool for your application. The correct power tool will do the job better and safer at the rate for which it was designed.

2. Do not use the power tool if the switch does not turn it on and off. Any power tool that cannot be controlled with the switch is dangerous and must be repaired.

3. Disconnect the plug from the power source and/or the battery pack from the power tool before making any adjustments, changing accessories, or storing power tools. Such preventive safety measures reduce the risk of starting the power tool accidentally.

4. Store idle power tools out of the reach of children and do not allow persons unfamiliar with the power tool or these instructions to operate the power tool. Power tools are dangerous in the hands of untrained users.

5. Maintain power tools. Check for misalignment or binding of moving parts, breakage of parts and any other condition that may affect the power tool's operation. If damaged, have the power tool repaired before use. Many accidents are caused by poorly maintained power tools.

6. Keep cutting tools sharp and clean. Properly maintained cutting tools with sharp cutting edges are less likely to bind and are easier to control.

7. Use the power tool, accessories and tool bits, etc. in accordance with these instructions, taking into account the working conditions and the work to be performed. Use of the power tool for operations different from those intended could result in a hazardous situation.

8. Use clamps to secure your workpiece to a stable surface. Holding a workpiece by hand or using your body to support it may lead to loss of control.

9. KEEP GUARDS IN PLACE and in working order.

SERVICE

1. Have your power tool serviced by a qualified repair person using only identical replacement parts. This will ensure that the safety of the power tool is maintained.

CALIFORNIA PROPOSITION 65 WARNING

Some dust created by power sanding, sawing, grinding, drilling, and other construction activities may contain chemicals, including lead, known to the State of California to cause cancer, birth defects, or other reproductive harm. Wash hands after handling. Some examples of these chemicals are:

- Lead from lead-based paints.
- Crystalline silica from bricks, cement, and other masonry products.
- Arsenic and chromium from chemically treated lumber.

Your risk from these exposures varies depending on how often you do this type of work. To reduce your exposure to these chemicals, work in a well-ventilated area with approved safety equipment such as dust masks specially designed to filter out microscopic particles.

POLISHER SAFETY WARNINGS

⚠ WARNING! Do not let comfort or familiarity with the product replace strict adherence to product safety rules. Failure to follow the safety instructions may result in serious personal injury.

POLISHER SAFETY

1. This polisher is for personal use only. Using this polisher for professional purposes will reduce the unit's lifespan and may cause the unit to overheat.
2. Only use the polisher for its intended use.
3. Only use accessories that have been specifically designed or recommended by the manufacturer.
4. Only use accessories that have a rated speed equal to or greater than the maximum speed of the polisher.
5. Do not use accessories that do not match the specifications of the polisher.
6. Do not use damaged accessories. Before beginning operation, make sure that all accessories are in full working order.
7. Make sure that the power cord is clear of the spinning accessory.
8. Never set the polisher down before the tool has come to a complete stop.
9. Regularly clean the air vents of dust and debris.
10. Never operate the polisher near flammable materials.
11. Do not use accessories that require liquid coolants. Using water or other liquid coolants may result in risk of electric shock.

VIBRATION SAFETY

This tool vibrates during use. Repeated or long-term exposure to vibration may cause temporary or permanent physical injury, particularly to the hands, arms and shoulders.

To reduce the risk of any vibration-related injury:

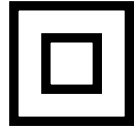
1. First be examined by a doctor and then have regular medical check-ups to ensure medical problems are not being caused or worsened from use. Pregnant women or people who have impaired blood circulation to the hand, past hand injuries, nervous system disorders, diabetes, or Raynaud's Disease should not use this tool. If you feel any symptoms related to vibration (such as tingling, numbness, and white or blue fingers), seek medical advice as soon as possible.
2. Do not smoke during use. Nicotine reduces the blood supply to the hands and fingers, increasing the risk of vibration-related injury.
3. Wear suitable gloves to reduce the vibration effects on the user.
4. Use tools with the lowest vibration when there is a choice.
5. Take vibration-free breaks during each day of work.
6. Grip tool as lightly as possible (while still keeping safe control of it). Let the tool do the work.
7. To reduce vibration, maintain the tool as explained in this manual. If any abnormal vibration occurs, stop use immediately.

These safety instructions can't possibly warn of every scenario that may arise with this tool, so always make sure to stay alert and use common sense during operation.

ELECTRICAL INFORMATION

DOUBLE-INSULATED TOOLS

The tool's electrical system is double-insulated where two systems of insulation are provided. This eliminates the need for the usual three-wire grounded power cord. Double-insulated tools do not need to be grounded, nor should a means for grounding be added to the product. All exposed metal parts are isolated from the internal metal motor components with protecting insulation.



IMPORTANT: Servicing a double-insulated product requires extreme care and knowledge of the system, and should be done only by qualified service personnel using identical replacement parts. Always use original factory replacement parts when servicing.

1. Polarized Plugs. To reduce the risk of electric shock, this equipment has a polarized plug (one blade is wider than the other). This plug will fit in a polarized outlet only one way. If the plug does not fit fully in the outlet, reverse the plug. If it still does not fit, contact a qualified electrician to install a proper outlet. Do not modify the machine plug or the extension cord in any way.

2. Ground fault circuit interrupter protection (GFCI) should be provided on the circuit or outlet used for this power tool to reduce the risk of electric shock.

3. Service and repair. To avoid danger, electrical appliances must only be repaired by a qualified service technician using original replacement parts.

GUIDELINES AND RECOMMENDATIONS FOR EXTENSION CORDS

When using an extension cord, be sure to use one heavy enough to carry the current your product will draw. An undersized cord will cause a drop in line voltage, resulting in loss of power and overheating. The table below shows the correct size to be used according to cord length and ampere rating. When in doubt, use a heavier cord. The smaller the gauge number, the heavier the cord.

AMPERAGE	REQUIRED GAUGE FOR EXTENSION CORDS			
	25 ft.	50 ft.	100 ft.	150 ft.
8A	18 gauge	16 gauge	14 gauge	12 gauge

1. Examine extension cord before use. Make sure your extension cord is properly wired and in good condition. Always replace a damaged extension cord or have it repaired by a qualified person before using it.

2. Do not abuse extension cord. Do not pull on cord to disconnect from receptacle; always disconnect by pulling on plug. Disconnect the extension cord from the receptacle before disconnecting the product from the extension cord. Protect your extension cords from sharp objects, excessive heat and damp/wet areas.

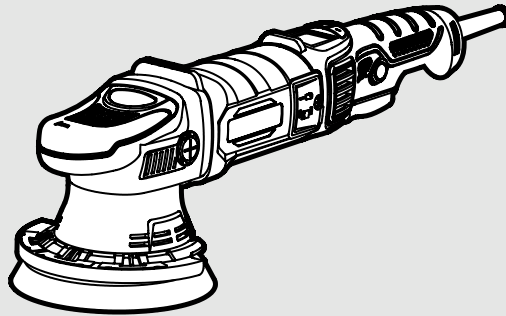
3. Use a separate electrical circuit for your tool. This circuit must not be less than a 12-gauge wire and should be protected with a 15A time-delayed fuse. Before connecting the motor to the power line, make sure the switch is in the OFF position and the electric current is rated the same as the current stamped on the motor nameplate. Running at a lower voltage will damage the motor.

UNPACKING & PACKING LIST

UNPACKING

Carefully remove the polisher from the packaging and place it on a sturdy, flat surface. Make sure to take out all contents and accessories. Do not discard the packaging until everything is removed. Check the packing list below to make sure you have all of the parts and accessories. If any part is missing or broken, please contact customer service at **1-847-429-9263** (M-F 8-5 CST), or email techsupport@wenproducts.com.

Components

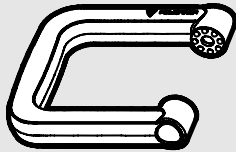


Polisher

Accessories



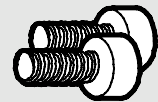
Hex Wrench (1)



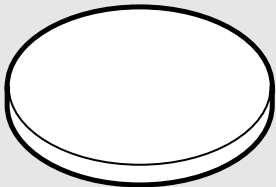
Handle (1)



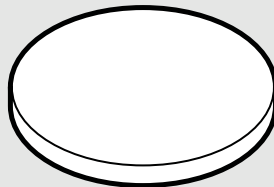
Pair of Carbon Brushes (1)



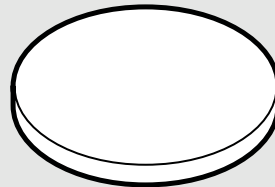
Hex Screws (2)



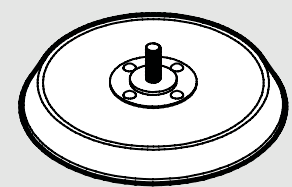
Coarse-Grit Diamond
Hex Foam Pad (1)



Medium-Grit Diamond
Hex Foam Pad (1)



Fine-Grit Diamond
Hex Foam Pad (1)



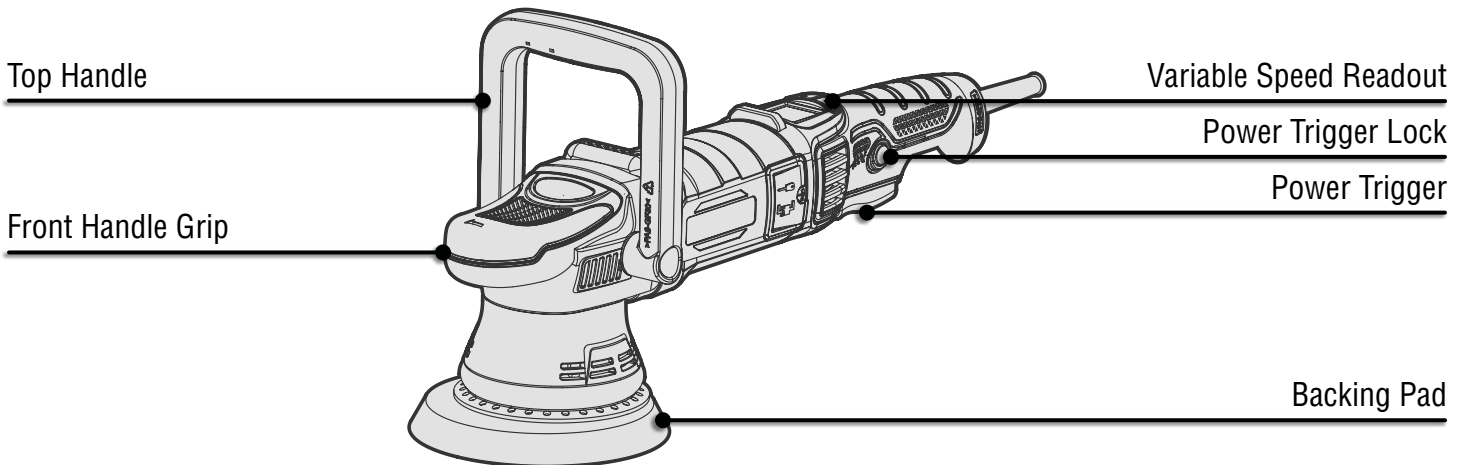
5-Inch Backing Pad (1)
(Pre-Installed)

NOTE: WEN polishing pads feature a unique diamond-hex design that reduces heat build-up and evenly spreads polishing compounds for a superior finish. Purchase replacement polishing pads from wenproducts.com by searching model numbers AA1501, AA1502, and AA1503.

KNOW YOUR POLISHER

TOOL PURPOSE

Give your car the love it deserves with your WEN Polisher. Refer to the following diagrams to become familiarized with all the parts and controls of your polisher. The components will be referred to later in the manual for assembly and operation instructions.



ASSEMBLY & ADJUSTMENT

REMOVING AND REINSTALLING THE BACKING PAD

Before installing or removing the backing pad from the polisher, make sure that the tool is OFF and the power cord is removed from the power source.

1. Place the polisher on a sturdy, flat surface with the backing pad spindle facing up.
2. Insert the included 5mm Hex Wrench to loosen the backing pad hex screw. Hold the backing pad with one hand while turning the hex wrench counter-clockwise to loosen the screw.
3. Remove the screw, the backing plate washer, and the backing plate. **NOTE:** To avoid scraping your hand along the edge of the backing pad or the hook and loop surface, you may want to use a protective glove when spinning the backing pad.
4. To re-install the backing pad, align the pad with the oscillating spindle and install the hex screw and washer. Turn the hex screw clockwise to tighten.

INSTALLING & REMOVING FOAM PADS

Before installing or removing the foam pads from the polisher, make sure that the tool is OFF and the power cord is removed from the power source.

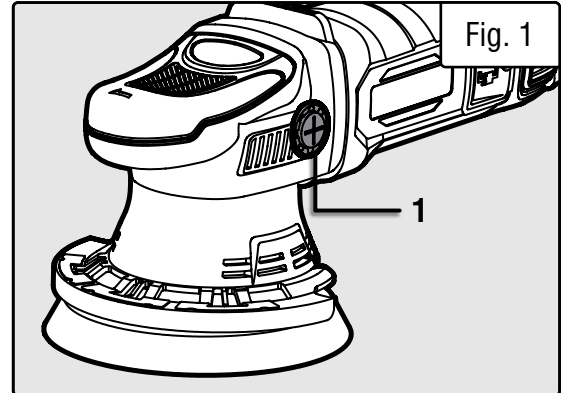
1. Place the polisher on a sturdy, flat surface with the backing pad facing up.
2. Clean any dirt or dust from the backing pad before installing a foam pad.
3. Position the new foam pad onto the backing pad and press together firmly so that the hook-and-loop backings secure to each other.
4. Position the abrasive side of the foam pad against a scrap piece of material. Start the polisher and let it run momentarily to ensure that the foam pad is firmly seated on the backing pad.
5. To remove the foam pad, peel it away from the backing pad. **NOTE:** Check pads for polishing compound or material build-up and for damage / left over glue before installation and use. Dirty or defective pads can cause scratches in your work surface.

ASSEMBLY & ADJUSTMENT

INSTALLING THE D-HANDLE

Before installing or adjusting the handle on the polisher, make sure that the tool is OFF and the power cord is removed from the power source.

1. Locate the two pre-installed plastic plug screws (Fig. 1 - 1) on either side of the polisher. Remove the screws using a flat-head screwdriver (not included).
2. Fit each end of the D handle over the mounting holes and secure in place using the two included hex screws. Adjust the angle position of the handle as desired. The handle can be positioned at regular angle intervals depending on personal ergonomics and the application.



OPERATION

POWER SWITCH

Before pressing the power trigger ON, make sure that the polisher is not in contact with the workpiece or any other surfaces.

1. To start the polisher, press the power trigger.
2. To stop the polisher, release the power trigger.
3. For continuous power, press the power trigger and push the power trigger lock inward.
4. To release the power trigger lock, press the power trigger inward.

VARIABLE SPEED

Your polisher has a variable speed of 2000 - 5200 RPM.

1. To increase the speed of your polisher, press the “+” button on the variable speed readout.
2. To decrease the speed of your polisher, press the “-” button on the variable speed readout.

OPERATING THE POLISHER

1. Select and install the desired pad for your application. Typically, coarser-grit pads are used for the beginning application of a polishing job and finer-grit pads are used for intermediate polishing and finishing.
2. Plug the power cord into the power source. Keep clear of the power trigger before you are ready to begin operation to avoid accidental startups.
3. Press the power trigger to turn the polisher ON. Make sure that the polisher is not in contact with the workpiece or any other surfaces before startup. For continuous power, press the power trigger lock inward.
4. Use the variable speed readout buttons to change the speed of the polisher based on your desired operation.
5. Hold one of the operating handles, either the D-handle or the front operating handle, with one hand and the body of the tool with the other. Keep both hands on the polisher at all times.
6. Once you have completed your operation, release the power trigger. To stop continuous power, press the power trigger inward. Wait for the polisher to come to a complete stop before setting it down.
7. Unplug the power cord from the power source and store the tool in a dry environment, out of the reach of children.

NOTE: Immediately after each use, make sure to rinse out any remaining polishing compounds from the pads. If uncleaned, polishing compounds may harden and build-up on the pad, which can cause scratching and paint damage upon the next use of the pad.

OPERATION

A FEW TIPS ON WAXING AND POLISHING A CAR

Before applying any wax or compounding solution, make sure to wash the vehicle with soap and water. Remove all dirt and bug residue from the surface and then dry completely with a clean polishing pad. Use polishing clay after cleaning if you want to give the extra 10 percent. Mask off areas such as handles, mirrors, bumpers, molding and decals to combat possible damage from the polisher. Attach a clean polishing bonnet to your WEN Polisher.

For all car care products, apply a thin layer of compounding solution (probably a few drops depending on the product) to a clean polishing pad and place the bonnet onto the surface of the car. Smear the solution around a little on the pad using the surface of the car to prevent splattering. Apply all solutions to a two by two foot area before moving on to the next two by two foot area of the car. It is recommended to not compound and wax in direct sunlight; use a shaded area or a garage if possible.


NOTE: Always read and follow the instructions on your bottles of wax, polishing compound, etc. for best results.

Apply compounding solutions first. Compounds fight oxidation and scratches in the clear coat of the car. Keep in mind that any scratches that can be felt with your fingernails are probably past repair by a compound, as they go deeper than the top clear coat. Using moderate pressure, spread the compound over the surface of the car. While the compound is still wet, remove with a clean, dry microfiber towel.

Next, repeat using a polishing solution to get the car really shining. After that, repeat with a car wax for surface protection and additional gloss. If done correctly, water droplets will form tiny beads on the surface of the car's finish. Feel free to try out different things and figure out a personal style that works best for you and your vehicle.

MAINTENANCE

 **WARNING!** To avoid accidents, turn OFF and unplug the tool from the electrical outlet before cleaning, adjusting, or performing any maintenance work.

 **WARNING!** Any attempt to repair or replace electrical parts on this tool may be hazardous. Servicing of the tool must be performed by a qualified technician. When servicing, use only identical WEN replacement parts. Use of other parts may be hazardous or induce product failure.

ROUTINE INSPECTION

Before each use, inspect the general condition of the tool. If any of these following conditions exist, do not use until parts are replaced or the tool is properly repaired.

Check for:

- Loose hardware,
- Misalignment or binding of moving parts,
- Damaged cord/electrical wiring,
- Cracked or broken parts, and
- Any other condition that may affect its safe operation.

Maintenance instructions continue on the next page.

MAINTENANCE

CLEANING & STORAGE

1. Keep the ventilation openings free from dust and debris to prevent the motor from overheating.
2. Use a vacuum or low-pressure compressed air to remove dust and debris from the tool surfaces, motor housing and work area.
3. Wipe the tool surfaces clean with a soft cloth or brush. Make sure water or polishing compounds do not get into the tool.

CAUTION! Most plastics are susceptible to damage from various types of commercial solvents. Do not use any solvents or cleaning products that could damage the plastic parts. Some of these include but are not limited to: gasoline, carbon tetrachloride, chlorinated cleaning solvents, and household detergents that contain ammonia.

4. Store the tool in a clean and dry place away from the reach of children. Store in temperatures between 41° to 86°F.
5. Cover the tool in order to protect it from dust and moisture. It is preferable to store it in its original packaging with the instruction manual and all accessories.

REPLACING THE CARBON BRUSHES

The wear on the carbon brushes depends on how frequently and how heavily the tool is used. To maintain maximum efficiency of the motor, we recommend inspecting the two carbon brushes every 60 hours of operation or when the tool stops working.

NOTE: Replacement carbon brushes (**Part No. AA6158-044**) can be ordered at wenproducts.com. Only genuine WEN replacement brushes designed specifically for your tool should be used. Carbon brushes are not covered under the two-year warranty.

1. Place the polisher on its side on a sturdy, flat surface.
2. Use a Philips head screwdriver to remove the carbon brush cover screws and remove the carbon brush covers on either side of the polisher.
3. To remove the carbon brushes, use a small flat-head screwdriver or a pair of needle-nosed pliers to pull the flat coil spring off of the carbon brush. Remove the carbon brush from the sleeve and firmly but gently pull the carbon brush wire connector from the bracket terminal.
4. Attach the wire connector of the new carbon brush to the bracket terminal and insert the brush into the brush sleeve. Re-tension the coil spring on the brush and re-install the carbon brush cover.

PRODUCT DISPOSAL

Used power tools should not be disposed of together with household waste. This product contains electronic components that should be recycled. Please take this product to your local recycling facility for responsible disposal and to minimize its environmental impact.

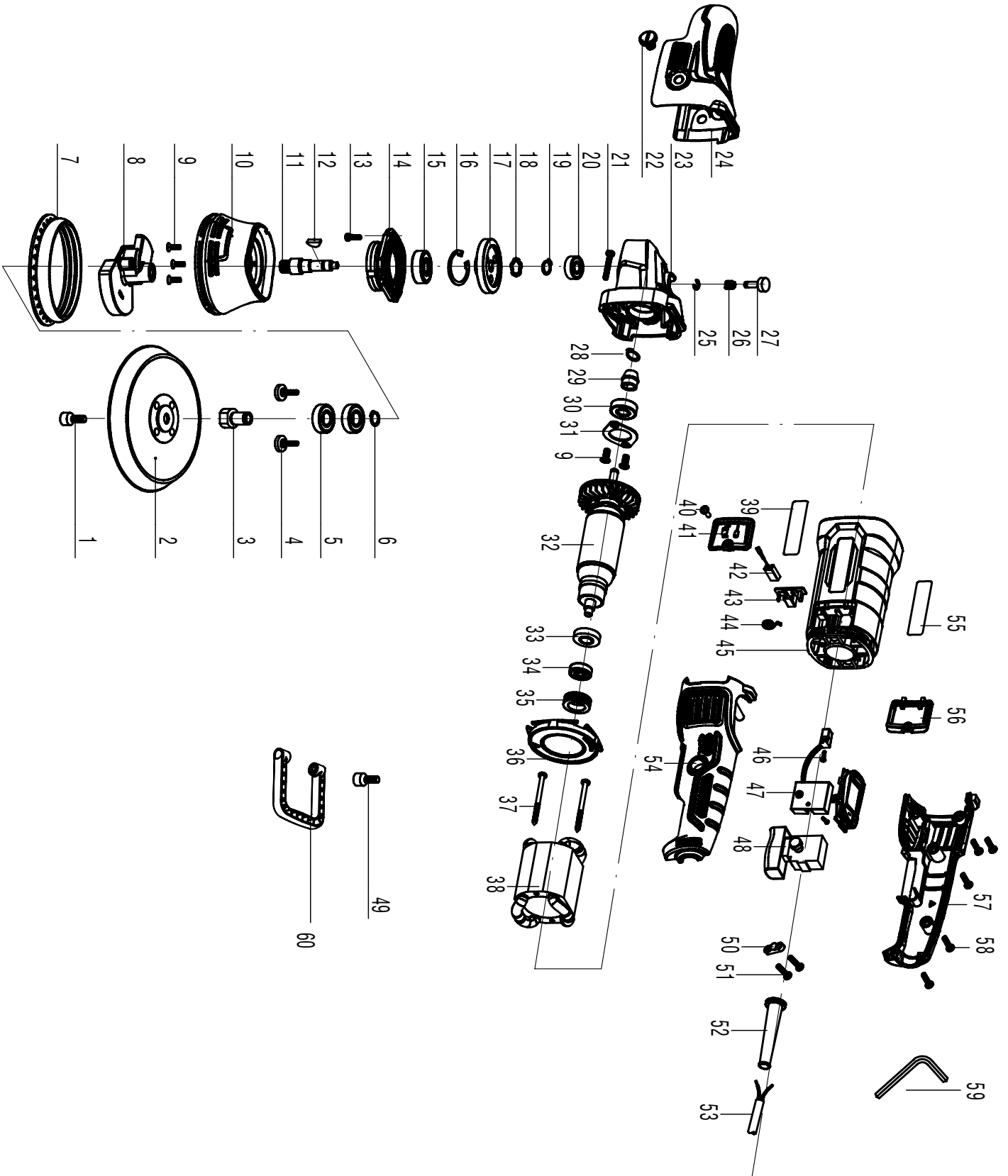


Please recycle the packaging and electronic components where facilities exist.

TROUBLESHOOTING GUIDE

Problem	Cause	Solution
The tool will not power on.	<ol style="list-style-type: none"> 1. Carbon brushes are worn or damaged. 2. Tool is not receiving power. 	<ol style="list-style-type: none"> 1. Check the carbon brushes for damage or wear and replace as necessary. If the polisher still does not power on, contact WEN Customer Service. 2. Check the outlet and circuit to confirm the polisher is receiving power.
Scratches or damages to paint or workpiece.	<ol style="list-style-type: none"> 1. Buildup or debris on the surface of the foam polishing pad. 2. Too much pressure is being used on the workpiece. 3. The wrong speed is being used for your desired operation. 4. The wrong grit is being used for your desired operation. 	<ol style="list-style-type: none"> 1. Replace pad as necessary. 2. If pressing downward on the surface with a large amount of pressure, reduce the amount of pressure for better results. 3. If operating at a high speed, lower the speed for better results. 4. If using a coarse-grit pad, decrease the grit of the pad for better results.
The motor is getting very hot.	<ol style="list-style-type: none"> 1. Dust and debris are blocking the air vents. Check the air vents for dust or debris and clean as necessary. 2. Too much pressure is being used on the workpiece. 	<ol style="list-style-type: none"> 1. Clean air vents of all dust and debris after every operation. 2. If pressing downward on the tool with significant force under use, lessen the force to reduce strain on the motor.

EXPLODED VIEW & PARTS LIST



EXPLODED VIEW & PARTS LIST

No.	Part No.	Description	Qty.
1	AA6158B-001	Socket Head Cap Screw, M8x16	1
2	AA6158-001	Backing Pad	1
3	AA6158-003	Output Shaft	1
4	AA6158-004	Phillips Head Screw, M4x8	2
5	AA6158-005	Bearing, 6001-2RS	2
6	AA6158-006	Shaft Circlip	1
7	AA6158B-007	Rubber Ring	1
8	AA6158-007	Counterweight	1
9	AA6158-008	Cross pan head screw, M4x10	5
10	AA6158B-010	Oscillating Cover	1
11	AA6158-011	Output Shaft	1
12	AA6158-010	Woodruff Key, 3x10	1
13	AA6158-012	Phillips Head Screw, M4x14	4
14	AA6158-013	Front Cover	1
15	AA6158-014	Bearing, 6201-2RS	1
16	AA6158-015	Output Shaft Circlip	1
17	AA6158-016	Output Gear	1
18	AA6158-017	Wavy Washer	1
19	AA6158-018	Output Gear Circlip	2
20	AA6158-019	Bearing, 686	1
21	AA6158-020	Self-tapping Screw, BT3.9x29	4
22	AA6158-022	Plastic Screw, M8x10	2
23	AA6158-027	Motor Head Housing	1
24	AA6158-021	Front Handle Housing	1
25	AA6158-026	Split Washer	1
26	AA6158-025	Lock Pin Spring	1
27	AA6158-024	Lock Pin	1
28	AA6158-028	Transmission Shaft Circlip	1
29	AA6158-029	Transmission Gear	1
30	AA6158-030	Bearing, 6000-2RS	1
31	AA6158-031	Bearing Plate	1

No.	Part No.	Description	Qty.
32	AA6158-032	Rotor	1
33	AA6158-033	Magnetic Ring	1
34	AA6158-034	Bearing, 608-2RS	1
35	AA6158-035	Bearing Holder	1
36	AA6158-036	Air Baffle Housing	1
37	AA6158-037	Self-tapping Screw, BT3.9x70	2
38	AA6158-038	Stator	1
39	AA6158B-039	Left Label	1
40	AA6158-046	Self-tapping Screw, BT3.9x14	2
41	AA6158-045	Left Carbon Brush Cover	1
42	AA6158-044	Carbon Brush	2
43	AA6158-043	Brush Holder	2
44	AA6158-042	Coil Spring	2
45	AA6158-039	Motor Housing	1
46	AA6158B-046	Self-tapping Screw, ST2.9x10	1
47	AA6158-054	Motor PCB	1
48	AA6158-052	Switch	1
49	AA6158-063	D-handle Mounting Screw, M8x14	2
50	AA6158-050	Power Cord Clamp Plate	1
51	AA6158-046	Self-tapping Screw, ST3.9x14	2
52	AA6158-048	Power Cord Strain Relief	1
53	AA6158-049	Power Cord	1
54	AA6158-047	Left Handle Housing	1
55	AA6158-040	Right label	1
56	AA6158-041	Right Brush Cover	1
57	AA6158-059	Right Handle Housing	1
58	AA6158-060	Self-tapping Screw, BT3.9x14	5
59	AA6158-061	Hex Wrench, 5mm	1
60	AA6158-062	D-handle	1

NOTE: Not all parts may be available for purchase. Parts and accessories that wear down over the course of normal use are not covered under the warranty.

WARRANTY STATEMENT

WEN Products is committed to building tools that are dependable for years. Our warranties are consistent with this commitment and our dedication to quality.

LIMITED WARRANTY OF WEN PRODUCTS FOR HOME USE

GREAT LAKES TECHNOLOGIES, LLC (“Seller”) warrants to the original purchaser only, that all WEN consumer power tools will be free from defects in material or workmanship during personal use for a period of two (2) years from date of purchase or 500 hours of use; whichever comes first. Ninety days for all WEN products if the tool is used for professional or commercial use. Purchaser has 30 days from the date of purchase to report missing or damaged parts.

SELLER’S SOLE OBLIGATION AND YOUR EXCLUSIVE REMEDY under this Limited Warranty and, to the extent permitted by law, any warranty or condition implied by law, shall be the replacement of parts, without charge, which are defective in material or workmanship and which have not been subjected to misuse, alteration, careless handling, misrepair, abuse, neglect, normal wear and tear, improper maintenance, or other conditions adversely affecting the Product or the component of the Product, whether by accident or intentionally, by persons other than Seller. To make a claim under this Limited Warranty, you must make sure to keep a copy of your proof of purchase that clearly defines the Date of Purchase (month and year) and the Place of Purchase. Place of Purchase must be a direct vendor of Great Lakes Technologies, LLC. Purchasing through third party vendors, including but not limited to garage sales, pawn shops, resale shops, or any other secondhand merchant, voids the warranty included with this product. Contact techsupport@wenproducts.com or 1-847-429-9263 with the following information to make arrangements: your shipping address, phone number, serial number, required part numbers, and proof of purchase. Damaged or defective parts and products may need to be sent to WEN before the replacements can be shipped out.

Upon the confirmation of a WEN representative, your product may qualify for repairs and service work. When returning a product for warranty service, the shipping charges must be prepaid by the purchaser. The product must be shipped in its original container (or an equivalent), properly packed to withstand the hazards of shipment. The product must be fully insured with a copy of the proof of purchase enclosed. There must also be a description of the problem in order to help our repairs department diagnose and fix the issue. Repairs will be made and the product will be returned and shipped back to the purchaser at no charge for addresses within the contiguous United States.

THIS LIMITED WARRANTY DOES NOT APPLY TO ITEMS THAT WEAR OUT FROM REGULAR USAGE OVER TIME, INCLUDING BELTS, BRUSHES, BLADES, BATTERIES, ETC. ANY IMPLIED WARRANTIES SHALL BE LIMITED IN DURATION TO TWO (2) YEARS FROM DATE OF PURCHASE. SOME STATES IN THE U.S. AND SOME CANADIAN PROVINCES DO NOT ALLOW LIMITATIONS ON HOW LONG AN IMPLIED WARRANTY LASTS, SO THE ABOVE LIMITATION MAY NOT APPLY TO YOU.

IN NO EVENT SHALL SELLER BE LIABLE FOR ANY INCIDENTAL OR CONSEQUENTIAL DAMAGES (INCLUDING BUT NOT LIMITED TO LIABILITY FOR LOSS OF PROFITS) ARISING FROM THE SALE OR USE OF THIS PRODUCT. SOME STATES IN THE U.S. AND SOME CANADIAN PROVINCES DO NOT ALLOW THE EXCLUSION OR LIMITATION OF INCIDENTAL OR CONSEQUENTIAL DAMAGES, SO THE ABOVE LIMITATION OR EXCLUSION MAY NOT APPLY TO YOU.

THIS LIMITED WARRANTY GIVES YOU SPECIFIC LEGAL RIGHTS, AND YOU MAY ALSO HAVE OTHER RIGHTS WHICH VARY FROM STATE TO STATE IN THE U.S., PROVINCE TO PROVINCE IN CANADA AND FROM COUNTRY TO COUNTRY.

THIS LIMITED WARRANTY APPLIES ONLY TO ITEMS SOLD WITHIN THE UNITED STATES OF AMERICA, CANADA AND THE COMMONWEALTH OF PUERTO RICO. FOR WARRANTY COVERAGE WITHIN OTHER COUNTRIES, CONTACT THE WEN CUSTOMER SUPPORT LINE. FOR WARRANTY PARTS OR PRODUCTS REPAIRED UNDER WARRANTY SHIPPING TO ADDRESSES OUTSIDE OF THE CONTIGUOUS UNITED STATES, ADDITIONAL SHIPPING CHARGES MAY APPLY.