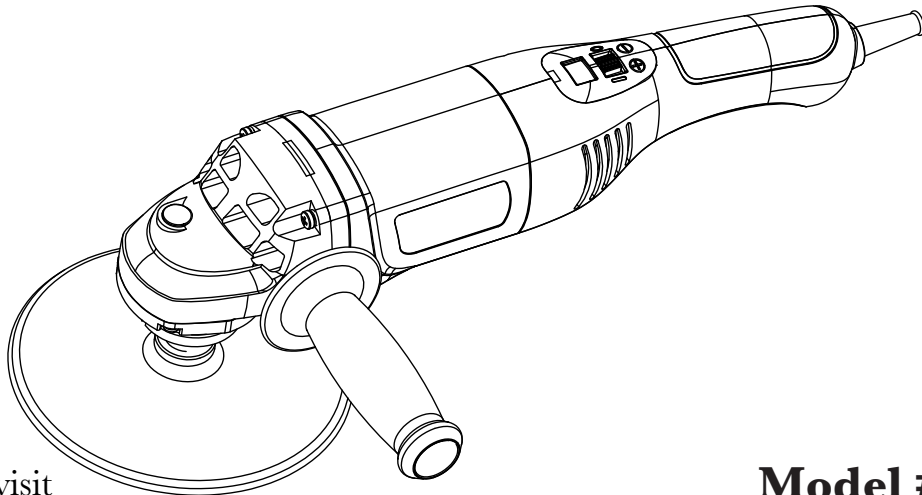




# 7" ELECTRIC POLISHER



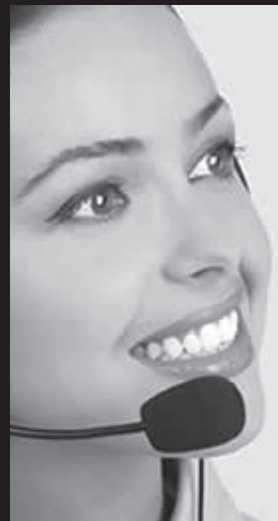
CSA®  
C US  
266554

For replacement parts visit  
**WENPRODUCTS.COM**

**Model # 94810**  
bit.ly/wenvideo


## IMPORTANT:

Your new tool has been engineered and manufactured to WEN's highest standards for dependability, ease of operation, and operator safety. When properly cared for, this product will supply you years of rugged, trouble-free performance. Pay close attention to the rules for safe operation, warnings, and cautions. If you use your tool properly and for its intended purpose, you will enjoy years of safe, reliable service.



## NEED HELP? CONTACT US!

Have product questions? Need technical support?  
Please feel free to contact us at:

 **800-232-1195** (M-F 8AM-5PM CST)

 **techsupport@wenproducts.com**

 **WENPRODUCTS.COM**

**NOTICE: Please refer to [wenproducts.com](http://wenproducts.com) for the most up-to-date instruction manual.**

## TABLE OF CONTENTS

---

Product Specifications .....	2
Safety Introduction .....	3
General Safety Rules .....	4
Safety Rules for the Polisher .....	6
Electrical Information .....	8
Know Your Polisher .....	8
Assembly & Adjustments .....	10
Operation .....	11
Maintenance .....	12
Troubleshooting .....	13
Exploded View & Parts List .....	14
Warranty Statement .....	16

## PRODUCT SPECIFICATIONS

---

Model Number:	94810
Motor:	AC 120V, 60 Hz, 10A
No-Load Speed:	1000 to 3500 RPM
Mounting Disc Type:	7-inch Hook & Loop
Arbor Size:	5/8" - 11 TPI (Threads Per Inch)
Product Dimensions:	18.1 x 7.1 x 5.5 in.
Product Net Weight:	6.7 lbs

## SAFETY INTRODUCTION

Thanks for purchasing the WEN Polisher. We know you are excited to put your tool to work, but first, please take a moment to read through the manual. This manual provides information regarding potential safety concerns, as well as helpful assembly and operating instructions. Safe operation of this tool requires that you read and understand this operator's manual and all labels affixed to the tool.



**SAFETY ALERT SYMBOL:** Indicates danger, warning, or caution. The safety symbols and the explanations with them deserve your careful attention and understanding. Always follow the safety precautions to reduce the risk of fire, electric shock and personal injury. However, please note that these instructions and warnings are not substitutes for proper accident prevention measures.

**NOTE:** The following safety information is not meant to cover all possible conditions and situations that may occur. WEN reserves the right to change this product and specifications at any time without prior notice.

**Keep this manual available to all users during the entire life of the tool and review it frequently to maximize safety for both yourself and others.**

# GENERAL SAFETY RULES

---

**WARNING!** Read all safety warnings and all instructions. Failure to follow the warnings and instructions may result in electric shock, fire and serious injury. **Save all warnings and instructions for future reference.** The term “power tool” in the warnings refers to your mains-operated (corded) power tool.

## WORK AREA SAFETY

- a) Keep work area clean and well lit. Cluttered or dark areas invite accidents.
- b) Do not operate power tools in explosive atmospheres, such as in the presence of flammable liquids, gases or dust. Power tools create sparks which may ignite the dust or fumes.
- c) Keep children and bystanders away while operating a power tool. Distractions can cause you to lose control.

## ELECTRICAL SAFETY

- a) Power tool plugs must match the outlet. Never modify the plug in any way. Do not use any adapter plugs with earthed (grounded) power tools. Unmodified plugs and matching outlets will reduce risk of electric shock.
- b) Avoid body contact with earthed or grounded surfaces such as pipes, radiators, ranges and refrigerators. There is an increased risk of electric shock if your body is earthed or grounded.
- c) Do not expose power tools to rain or wet conditions. Water entering a power tool will increase the risk of electric shock.
- d) Do not abuse the cord. Never use the cord for carrying, pulling or unplugging the power tool. Keep cord away from heat, oil, sharp edges or moving parts. Damaged or entangled cords increase the risk of electric shock.
- e) When operating a power tool outdoors, use an extension cord suitable for outdoor use. Use of a cord suitable for outdoor use reduces the risk of electric shock.
- f) If operating a power tool in a damp location is unavoidable, use a ground fault circuit interrupter (GFCI) protected supply. Use of a GFCI reduces the risk of electric shock.

## PERSONAL SAFETY

- a) Stay alert, watch what you are doing and use common sense when operating a power tool. Do not use a power tool while you are tired or under the influence of drugs, alcohol or medication. A moment of inattention while operating power tools may result in serious personal injury.
- b) Use personal protective equipment. Always wear eye protection. Protective equipment such as dust mask, non-skid safety shoes, hard hat, or hearing protection used for appropriate conditions will reduce personal injuries.
- c) Prevent unintentional starting. Ensure the switch is in the off-position before connecting to power source and/or battery pack, picking up or carrying the tool. Carrying power tools with your finger on the switch or energising power tools that have the switch on invites accidents.
- d) Remove any adjusting key or wrench before turning the power tool on. A wrench or a key left attached to a rotating part of the power tool may result in personal injury.
- e) Do not overreach. Keep proper footing and balance at all times. This enables better control of the power tool in unexpected situations.

## GENERAL SAFETY RULES

---

- f) Dress properly. Do not wear loose clothing or jewelry. Keep your hair, clothing and gloves away from moving parts. Loose clothes, jewelry or long hair can be caught in moving parts.
- g) If devices are provided for the connection of dust extraction and collection facilities, ensure these are connected and properly used. Use of dust collection can reduce dust-related hazards.
- h) Always wear eye protection.

### POWER TOOL USE AND CARE

- a) Do not force the power tool. Use the correct power tool for your application. The correct power tool will do the job better and safer at the rate for which it was designed.
- b) Do not use the power tool if the switch does not turn it on and off. Any power tool that cannot be controlled with the switch is dangerous and must be repaired.
- c) Disconnect the plug from the power source and/or the battery pack from the power tool before making any adjustments, changing accessories, or storing power tools. Such preventive safety measures reduce the risk of starting the power tool accidentally.
- d) Store idle power tools out of the reach of children and do not allow persons unfamiliar with the power tool or these instructions to operate the power tool. Power tools are dangerous in the hands of untrained users.
- e) Maintain power tools. Check for misalignment or binding of moving parts, breakage of parts and any other condition that may affect the power tool's operation. If damaged, have the power tool repaired before use. Many accidents are caused by poorly maintained power tools.
- f) Keep cutting tools sharp and clean. Properly maintained cutting tools with sharp cutting edges are less likely to bind and are easier to control.
- g) Use the power tool, accessories and tool bits etc. in accordance with these instructions, taking into account the working conditions and the work to be performed. Use of the power tool for operations different from those intended could result in a hazardous situation.

### SERVICE

- a) Have your power tool serviced by a qualified repair person using only identical replacement parts. This will ensure that the safety of the power tool is maintained.

### CALIFORNIA PROPOSITION 65 WARNING

This product and some dust created by power sanding, sawing, grinding, drilling, and other construction activities may contain chemicals, including lead, known to the State of California to cause cancer, birth defects, or other reproductive harm. Wash hands after handling. Some examples of these chemicals are:

- Lead from lead-based paints.
- Crystalline silica from bricks, cement, and other masonry products.
- Arsenic and chromium from chemically treated lumber.

Your risk from these exposures varies depending on how often you do this type of work. To reduce your exposure to these chemicals, work in a well-ventilated area with approved safety equipment such as dust masks specially designed to filter out microscopic particles.

## SAFETY RULES FOR THE POLISHER

---



**WARNING:** Do not let comfort or familiarity with the product replace strict adherence to product safety rules. Failure to follow the safety instructions may result in serious personal injury.

1. **TOOL PURPOSE.** This power tool is intended to function as a polisher or sander. Operations such as grinding, wire brushing, or cutting-off are not recommended to be performed with this power tool. Using the tool for operations for which the it was not designed may create a hazard and cause personal injury.
2. **WORK ENVIRONMENT.** Do not operate the tool in wet or damp conditions; doing so significantly increases the risk of electrical shock. Do not operate the tool in the presence of flammable liquids or gases.
3. **PERSONAL SAFETY.** Always wear ANSI Z87.1-approved glasses, hearing protection and a dust mask when using the polisher. Tie back long hair. Do not wear loose clothing or jewelry as they might get drawn in by the tool.
4. **TOOL INSPECTION.** Before operation, check the tool for any damage or missing parts. Check for alignment, binding or breakage of moving parts or any other conditions that may affect its operation. Do not use the tool if any part is missing or damaged. Make sure all adjustments are correct and all connections are tight.
5. **PREVENTING ELECTRIC SHOCK.** Hold your power tool by the insulated gripping surfaces, especially when performing an operation where the polishing accessory could contact hidden wiring or its own cord. Contact with a “live” wire will make exposed metal parts of the tool “live” and shock the operator. Always be aware of power cord location to avoid accidentally contacting the power cord.
6. **USE THE RIGHT ACCESSORY PADS.**
  - Accessories must be rated for at least the speed recommended on the tool warning label. Wheels and other accessories running over rated speed can fly apart and cause injury. The rated speed of the accessory must be higher than the maximum speed (3500 RPM) of the polisher. Accessories running faster than their rated speed could break or fly apart.
  - Use 7-inch accessory pads. Do not use oversized accessories, as incorrectly sized accessories cannot be adequately guarded or controlled.
7. **SECURING THE WORKPIECE.** Secure any loose workpieces using vises or clamps to prevent wobble, damage to the workpiece, and personal injury.
8. **STARTING THE TOOL.** Start and stop the tool only while it is held firmly against the surface of the workpiece. Failure to do so may result in the pad flying off.
9. **DURING OPERATION.** To prevent personal injury, maintain a firm grip on the tool with both hands. Keep hands, hair and other beloved body parts away from the rotating components of the tool.
10. **TURNING OFF THE TOOL.** Turn off the tool, and unplug it from its electrical outlet before leaving. Do not lay the tool down until it has come to a complete stop. Do not touch the pad or the workpiece immediately after operation. They may be extremely hot and could burn your skin.
11. **MAKING ADJUSTMENTS.** Always turn off and unplug the polisher before making adjustments or changing attachments. Accidental start-ups may occur if the polisher is plugged in during an accessory change or adjustment.

## SPECIFIC RULES FOR THE POLISHER

---

### **REDUCING KICKBACK**

Kickback is a sudden reaction to a pinched or snagged rotating wheel, backing pad, brush or any other accessory. Pinching or snagging causes rapid stalling of the rotating accessory which in turn causes the uncontrolled power tool to be jump toward or away from the operator, depending on direction of the wheel's movement at the point of pinching. Take proper safety prevention methods to reduce the risk of kickback:

1. Maintain a firm grip on the power tool and position your body and arm to allow you to resist kickback forces. Always use the auxiliary handle for maximum control over kickback or torque reaction during start-up. The operator can control torque reactions or kickback forces, if proper precautions are taken.
2. Never place your hand near the rotating accessory. Accessories may kick back over your hand.
3. Do not position your body in the area where power tool will move if kickback occurs. Kickback will propel the tool in direction opposite to the wheel's movement at the point of snagging.
4. Use special care when working corners, sharp edges etc. Avoid bouncing and snagging the accessory. Corners, sharp edges or bouncing have a tendency to snag the rotating accessory and cause loss of control or kickback.

### **VIBRATION SAFETY**

This tool vibrates during use. Repeated or long-term exposure to vibration may cause temporary or permanent physical injury, particularly to the hands, arms and shoulders. To reduce the risk of any vibration-related injury:

1. First be examined by a doctor and then have regular medical check-ups to ensure medical problems are not being caused or worsened from use. Pregnant women or people who have impaired blood circulation to the hand, past hand injuries, nervous system disorders, diabetes, or Raynaud's disease should not use this tool. If you feel any symptoms related to vibration (such as tingling, numbness, and white or blue fingers), seek medical advice as soon as possible.
2. Do not smoke during use. Nicotine reduces the blood supply to the hands and fingers, increasing the risk of vibration-related injury.
3. Wear suitable gloves to reduce the vibration effects on the user.
4. Use tools with the lowest vibration when there is a choice.
5. Take vibration-free breaks during each day of work.
6. Grip tool as lightly as possible (while still keeping safe control of it). Let the tool do the work.
7. To reduce vibration, maintain the tool as explained in this manual. If any abnormal vibration occurs, stop using the tool immediately.

**USE COMMON SENSE.** These safety instructions can't possibly warn of every scenario that may arise with this tool, so always make sure to stay alert and use common sense during operation.

# ELECTRICAL INFORMATION

## DOUBLE-INSULATED TOOLS

The tool's electrical system is double insulated where two systems of insulation are provided. This eliminates the need for the usual three-wire grounded power cord. Double insulated tools do not need to be grounded, nor should a means for grounding be added to the product. All exposed metal parts are isolated from the internal metal motor components with protecting insulation.



**IMPORTANT:** Servicing a double-insulated product requires extreme care and knowledge of the system, and should be done only by a qualified service personnel using identical replacement parts. Always use original factory replacement parts when servicing.

1. **POLARIZED PLUGS.** To reduce the risk of electric shock, this equipment has a polarized plug (one blade is wider than the other). This plug will fit in a polarized outlet only one way. If the plug does not fit fully in the outlet, reverse the plug. If it still does not fit, contact a qualified electrician to install a proper outlet. **DO NOT** modify the machine plug or the extension cord in any way.
2. **GROUND FAULT CIRCUIT INTERRUPTER PROTECTION (GFCI)** should be provided on the circuit or outlet used for this power tool to reduce the risk of electric shock.
3. **SERVICE AND REPAIR.** To avoid danger, electrical appliances must only be repaired by qualified service technician using original replacement parts.

## GUIDELINES AND RECOMMENDATIONS FOR EXTENSION CORDS

When using an extension cord, be sure to use one heavy enough to carry the current your product will draw. An undersized cord will cause a drop in line voltage resulting in loss of power and overheating. The table below shows the correct size to be used according to cord length and nameplate ampere rating. When in doubt, use a heavier cord. The smaller the gauge number, the heavier the cord.

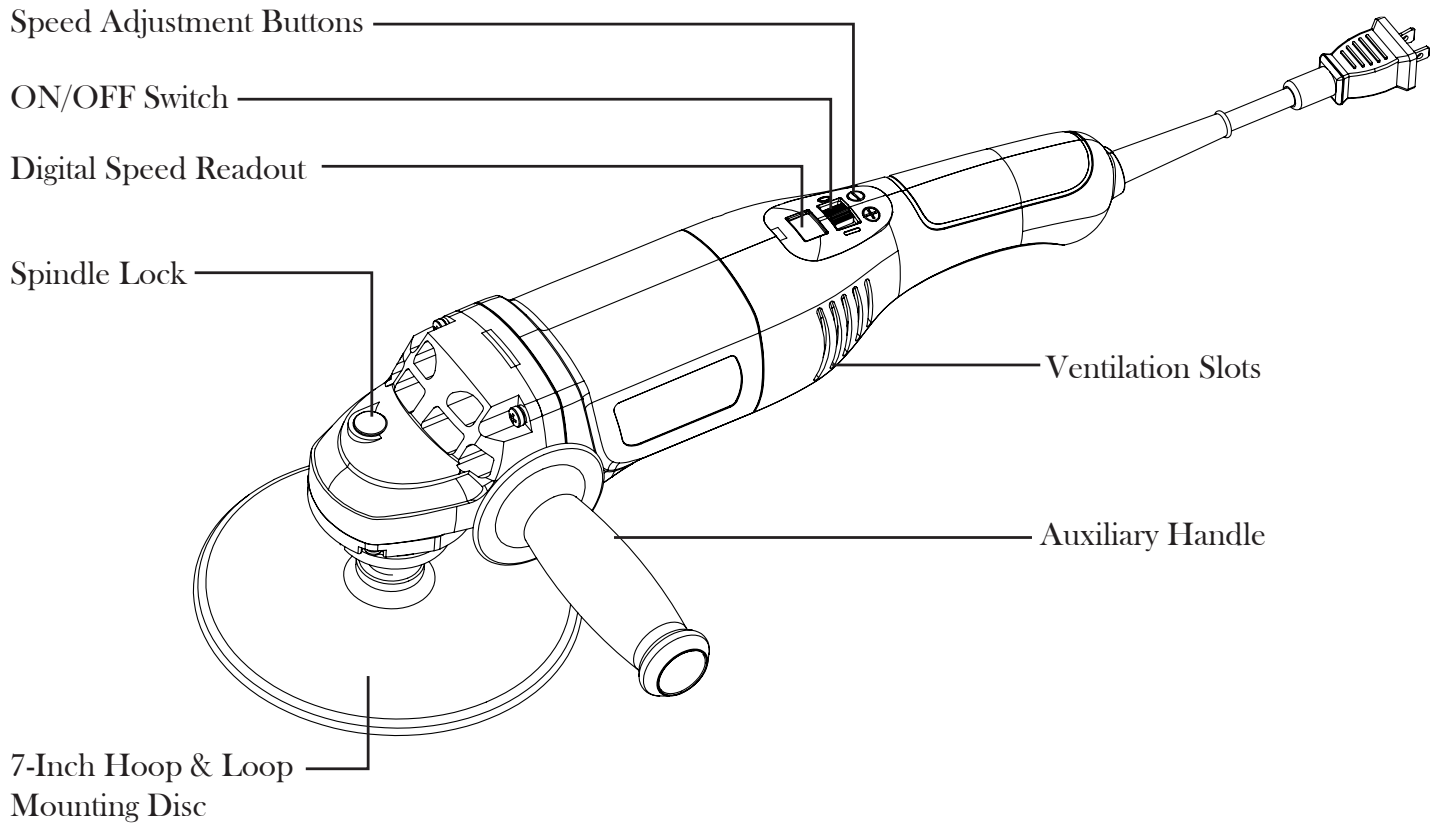
AMPERAGE	REQUIRED GAUGE FOR EXTENSION CORDS			
	25 ft.	50 ft.	100 ft.	150 ft.
10A	16 gauge	16 gauge	14 gauge	12 gauge

1. Examine extension cord before use. Make sure your extension cord is properly wired and in good condition. Always replace a damaged extension cord or have it repaired by a qualified person before using it.
2. Do not abuse extension cord. Do not pull on cord to disconnect from receptacle; always disconnect by pulling on plug. Disconnect the extension cord from the receptacle before disconnecting the product from the extension cord. Protect your extension cords from sharp objects, excessive heat and damp/wet areas.
3. Use a separate electrical circuit for your tool. This circuit must not be less than a 12-gauge wire and should be protected with a 15A time-delayed fuse. Before connecting the motor to the power line, make sure the switch is in the OFF position and the electric current is rated the same as the current stamped on the motor nameplate. Running at a lower voltage will damage the motor.



## KNOW YOUR POLISHER

Carefully unpack the tool from the packaging. Check all components and compare against the diagram below. If any part is damaged or missing, please contact our customer service at (800) 232-1195, M-F 8-5 CST or email us at [techsupport@wenproducts.com](mailto:techsupport@wenproducts.com).



### ACCESSORIES

- Hook & Loop Polishing Pad
- Hook & Loop Sanding Pad
- Hook & Loop Foam Pad
- Adjustment Wrench
- Polishing Towel

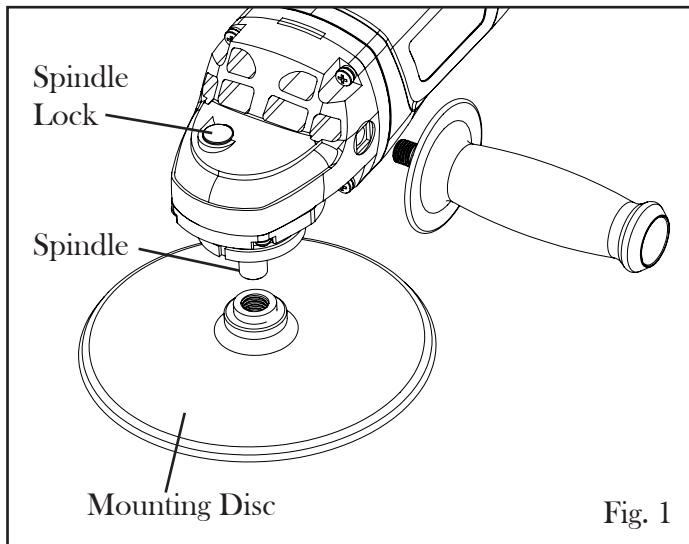
## ASSEMBLY & ADJUSTMENTS



**WARNING:** To prevent injury from accidental operation, turn OFF and unplug the tool from the power source before assembling or making any adjustments to the tool.

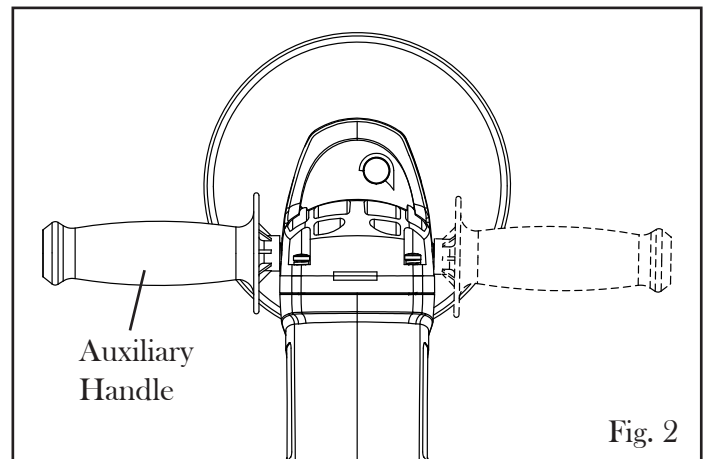
### ATTACHING THE MOUNTING DISC

Press and hold down the spindle lock head of the polisher to prevent the spindle from rotating. Screw the mounting disc onto the spindle and tighten the hex nut using the included wrench. Release the spindle lock.



### ATTACHING THE AUXILIARY HANDLE

The auxiliary handle can be installed on either side of the polisher (Fig. 2). Thread the handle firmly into the mounting hole located on either side of the polisher head. Make sure the other mounting hole is covered with the rubber insert to prevent dust and wax from entering the tool.



### ATTACHING THE ACCESSORY PAD

Choose the accessory pad depending on the work at hand. Your polisher comes with three accessory pads: a foam pad, a polishing pad and a sanding pad. Use the foam pad for wax application, the polishing pad for polishing operations and the sanding pad for sanding operations.

The face of the mounting disc and the backs of the accessory pads have a Hook & Loop design to allow easy installation and removal. Simply press the back of the accessory pad firmly onto the mounting disc.

**NOTE:** Make sure the accessory is placed evenly on the mounting disc and is secure before turning on the tool.

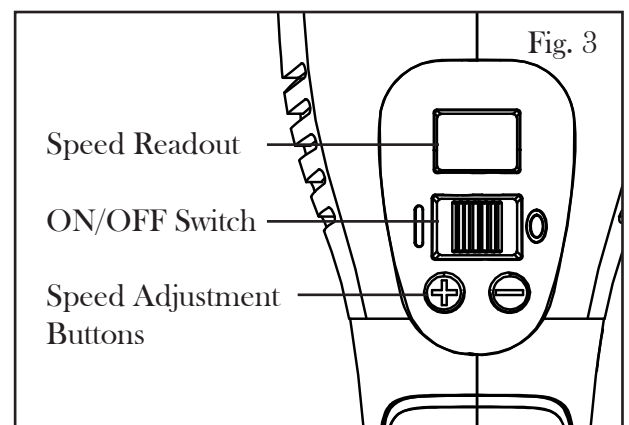
### TURNING ON & OFF

Push the ON/OFF switch left to the “I” position to start the polisher. Push the switch right to the “O” position to stop the polisher.

### VARIABLE SPEED

Your polisher has variable speeds ranging from 1000 to 3500 RPM, with increments of 100 RPM.

The polisher will have a speed of 0 when turned ON. Press the plus (+) button to increase the speed and the minus (-) button to decrease the speed.



Use slower speeds for waxing, buffing and polishing work. Use faster speeds for heavy correction work.

## OPERATION



**WARNING:** To prevent serious injury, make sure all the warnings and instructions have been read and understood before operating this tool.

### WAXING AND POLISHING A CAR

1. Route the power cord to reach the work area without creating a tripping hazard or exposing the power cord to possible damage. The power cord should reach the work area with enough extra length to allow free movement while working. Wear ANSI-approved eye protection and hearing protection, as well as heavy-duty work gloves.

2. Before applying any wax or compounding solution, wash the vehicle with soap and water. Remove all dust, dirt, oil, bugs and any other foreign matter which could damage the accessory pad. Dry the surface completely with a clean microfiber towel. Mask off areas such as mirrors and decals that you would not want to be polished.

3. Attach a clean, dry foam pad to the mounting disc of your polisher.

4. Apply about two tablespoons of wax (not included) evenly on the foam pad. Too much wax will saturate the foam pad, making polishing difficult and reduce the life of the pad. Add additional wax later as needed. If the foam pad continually comes off the mounting disc during operation, too much wax may have been applied.

**NOTE:** It is recommended to not compound and wax in direct sunlight; use a shaded area or a garage if possible. Read and follow the instructions on your bottles of wax and compound.

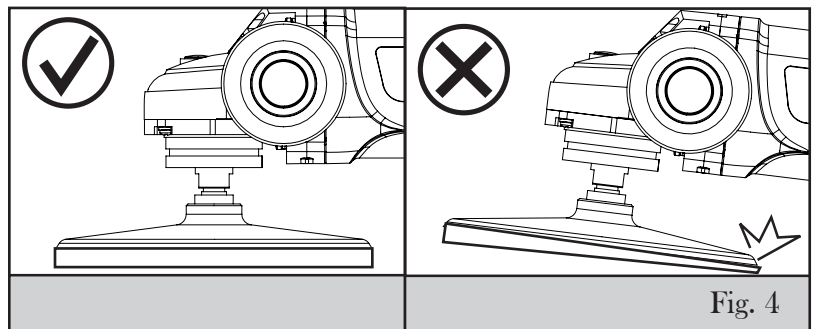
5. To start, position the polisher on the area to be polished, grip the tool firmly with both hands and turn ON the tool. Only use slower speeds for waxing and polishing. Otherwise, damage may occur to the paint being polished.



**WARNING:** To prevent serious injury, grip the tool firmly in **BOTH HANDS**. Start and stop the tool only while it is held firmly against the surface of the vehicle. Failure to do so may result in the pad flying off.

6. To prevent damage to the pad and vehicle finish, the pad should be flat on the polishing surface, only contacting the surface lightly. Do not force the tool. Avoid holding the polisher in one location - keep the pad moving.

Be mindful when waxing/polishing around or over sharp corners or contours of an object, using less pressure than you would elsewhere.



7. After the wax has been evenly applied onto the surface, allow sufficient time for the wax to dry before polishing.

8. Turn OFF and unplug the tool. Remove the foam pad and attach the polishing pad for polishing work.

9. Start the tool and begin polishing off the dried wax. If done correctly, water droplets will form tiny beads on the surface of the car's finish. Feel free to try out different things and figure out a personal style that works best for you and your vehicle.

10. After the work is complete, turn OFF and unplug the tool. Allow the tool to come to a complete stop before setting it down.

## MAINTENANCE

---



**WARNING:** To avoid accidents, always disconnect the tool from the power supply before cleaning or performing any maintenance. Servicing of the tool must be performed by a qualified technician.

1. Before each use, inspect the general condition of the tool. Check for:
  - loose hardware,
  - misalignment or binding of moving parts,
  - damaged cord/electrical wiring,
  - cracked or broken parts, and
  - any other condition that may affect its safe operation.
2. After every use, wipe the tool with a soft cloth or low-pressure compressed air. Do not let water enter the tool.
3. Keep the ventilation openings free from dust and debris to prevent the motor from overheating.
4. Most plastics are susceptible to damage from various types of commercial solvents. Do not use any solvents or cleaning products that could damage the plastic parts. Some of these include but are not limited to: gasoline, carbon tetrachloride, chlorinated cleaning solvents, ammonia and household detergents that contain ammonia.
5. Store the tool in a clean and dry place away from the reach of children.

### **CARBON BRUSH REPLACEMENT**

The wear on the carbon brushes depends on how frequently and how heavily the tool is used. The general life-time of the brushes is about 55 to 65 hours. If you see excessive sparks during operation or if the tool stops working, it may be time for the carbon brushes to be replaced. Have your carbon brushes inspected and replaced by a qualified service technician.

Replacement carbon brushes (Part No. 94810-039) can be ordered at [wenproducts.com](http://wenproducts.com). Only genuine WEN replacement brushes designed specifically for your tool should be used.

### **PRODUCT DISPOSAL**

Used power tools should not be disposed of together with household waste. This product contains electronic components that should be recycled. Please take this product to your local recycling facility for responsible disposal and to minimize its environmental impact.

## TROUBLESHOOTING

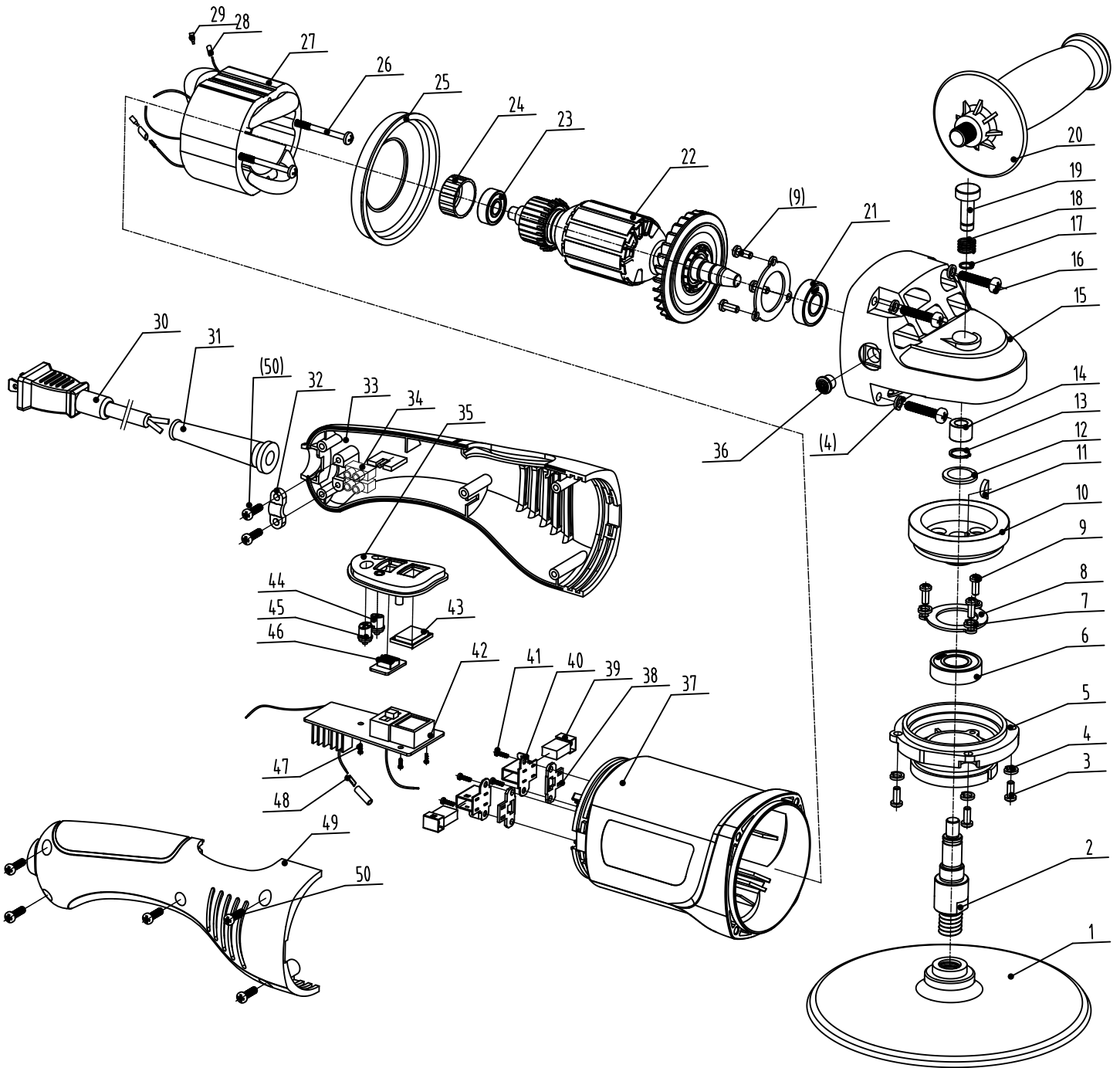


**WARNING:** Stop using the tool immediately if any of the following problems occur. Repairs and replacements should only be performed by authorized personnel. If you have any questions, please contact our customer service at (800) 232-1195, M-F 8-5 CST or email us at [techsupport@wenproducts.com](mailto:techsupport@wenproducts.com).

Problem	Possible Cause	Solution
Motor does not start	Power cord damaged or not properly plugged in.	Check the power cord, extension cord, power plug and the power outlet. Do not use the tool if any cord is damaged.
	Defective power switch.	Stop using the tool and contact customer service at (800) 232-1195, M-F 8-5 CST for assistance.
	Insufficient power from power outlet.	Make sure the outlet is functional and is the right capacity for the tool.
	Carbon brushes (Part No. 94810-039) are worn.	Inspect and replace carbon brushes as needed (see page 10) Replacement brushes (94810-039) can be ordered from <a href="http://wenproducts.com">wenproducts.com</a>
	Defective motor or other internal damage.	Stop using the tool and contact customer service at (800) 232-1195, M-F 8-5 CST for assistance.
Excessive noise or vibration	Internal damage or wear.	Contact customer service at (800) 232-1195, M-F 8-5 CST for assistance.
Overheating	Tool forced to work too fast.	Do not force the tool and let it work at its own pace.
	The extension cord is too long or too thin	See page 7 for selecting the proper size of extension cord for your tool.
	Blocked motor housing vents	Remove dust out of the motor housing vents while wearing safety goggles and dust mask.
Ineffective Performance	Loose mounting pad	Secure mounting pad by tightening the hex bolt using the supplied wrench.
	Accessory pad worn or damaged	Check condition and type of accessory pad. Use only proper type of disc accessory in good condition.
	Carbon brushes (Part No. 94810-039) are worn.	Inspect and replace carbon brushes as needed (see page 10). Replacement brushes (94810-039) can be ordered from <a href="http://wenproducts.com">wenproducts.com</a>

**NOTE:** Parts that wear down over the course of normal use (like accessories, carbon brushes, etc.) are not covered by the two-year warranty. Repairs and replacements should only be performed by an authorized technician.

# EXPLODED VIEW & PARTS LIST



## EXPLODED VIEW & PARTS LIST

---

No.	Part No.	Description	Qty.
1	94810-001	Polishing Plate	1
2	94810-002	Output Shaft	1
3	94810-003	Screw M5x14	4
4	94810-004	Washer Ø5	8
5	94810-005	Connecting Plate	1
6	94810-006	Bearing 6002 Ø32xØ15x09	1
7	94810-007	Spring Ring Ø4	3
8	94810-008	Fixing Plate	2
9	94810-009	Screw M4x10	6
10	94810-010	Gear Wheel	1
11	94810-011	Woodruff Key	1
12	94810-012	Ring Ø17xØ12.2x0.3	1
13	94810-013	Axis Spring Ø12	2
14	94810-014	Needle Bearing Ø14xØ8x10	1
15	94810-015	Cover	1
16	94810-016	Self-Tapping Screw ST5x30	4
17	94810-017	Axis Spring Ø8	1
18	94810-018	Spindle Lock Spring	1
19	94810-019	Spindle Lock Button	1
20	94810-020	Side Handle M10	1
21	94810-021	Bearing 6001Z Ø28xØ12x8	1
22	94810-022	Rotor Assembly	1
23	94810-023	Bearing 608 Ø22xØ8x7	1
24	94810-024	Bearing Cap	1
25	94810-025	Motor Cover	1

No.	Part No.	Description	Qty.
26	94810-026	Self-Tapping Screw ST4x55	2
27	94810-027	Stator Assembly	1
28	94810-028	Heat-Shrinkable Tube Ø3	1
29	94810-029	Terminal	2
30	94810-030	Power Cord with Plug	1
31	94810-031	Cord Sheath	1
32	94810-032	Cord Fixing Plate	1
33	94810-033	Left Handle	1
34	94810-034	Terminal Block	2
35	94810-035	Control Panel Cover	1
36	94810-036	Rubber Plug M10	2
37	94810-037	Housing	1
38	94810-038	Subplate	2
39	94810-039	Carbon Brush	2
40	94810-040	Carbon Brush Holder	2
41	94810-041	Self-Tapping Screw ST3x10	4
42	94810-042	PCB	1
43	94810-043	Display Lens	1
44	94810-044	Left Control Button	1
45	94810-045	Right Control Button	1
46	94810-046	Switch Snap	1
47	94810-047	Self-Tapping Screw ST3x8	3
48	94810-048	Copper Strips	6
49	94810-049	Right Handle	1
50	94810-050	Self-Tapping Screw ST4x16	7

## **LIMITED TWO YEAR WARRANTY**

---

WEN Products is committed to build tools that are dependable for years. Our warranties are consistent with this commitment and our dedication to quality.

### **LIMITED WARRANTY OF WEN CONSUMER POWER TOOLS PRODUCTS FOR HOME USE**

GREAT LAKES TECHNOLOGIES, LLC (“Seller”) warrants to the original purchaser only, that all WEN consumer power tools will be free from defects in material or workmanship for a period of two (2) years from date of purchase. Ninety days for all WEN products, if the tool is used for professional use.

**SELLER’S SOLE OBLIGATION AND YOUR EXCLUSIVE REMEDY** under this Limited Warranty and, to the extent permitted by law, any warranty or condition implied by law, shall be the repair or replacement of parts, without charge, which are defective in material or workmanship and which have not been misused, carelessly handled, or misrepaired by persons other than Seller or Authorized Service Center. To make a claim under this Limited Warranty, you must make sure to keep a copy of your proof of purchase that clearly defines the Date of Purchase (month and year) and the Place of Purchase. Place of purchase must be a direct vendor of Great Lakes Technologies, LLC. Third party vendors such as garage sales, pawn shops, resale shops, or any other secondhand merchant void the warranty included with this product. Contact [techsupport@wenproducts.com](mailto:techsupport@wenproducts.com) or 1-800-232-1195 to make arrangements for repairs and transportation.

When returning a product for warranty service, the shipping charges must be prepaid by the purchaser. The product must be shipped in its original container (or an equivalent), properly packed to withstand the hazards of shipment. The product must be fully insured with a copy of the warranty card and/or the proof of purchase enclosed. There must also be a description of the problem in order to help our repairs department diagnose and fix the issue. Repairs will be made and the product will be returned and shipped back to the purchaser at no charge.

**THIS LIMITED WARRANTY DOES NOT APPLY TO ACCESSORY ITEMS THAT WEAR OUT FROM REGULAR USAGE OVER TIME INCLUDING BELTS, BRUSHES, BLADES, ETC.**

**ANY IMPLIED WARRANTIES SHALL BE LIMITED IN DURATION TO TWO (2) YEARS FROM DATE OF PURCHASE. SOME STATES IN THE U.S., SOME CANADIAN PROVINCES DO NOT ALLOW LIMITATIONS ON HOW LONG AN IMPLIED WARRANTY LASTS, SO THE ABOVE LIMITATION MAY NOT APPLY TO YOU.**

**IN NO EVENT SHALL SELLER BE LIABLE FOR ANY INCIDENTAL OR CONSEQUENTIAL DAMAGES (INCLUDING BUT NOT LIMITED TO LIABILITY FOR LOSS OF PROFITS) ARISING FROM THE SALE OR USE OF THIS PRODUCT. SOME STATES IN THE U.S. AND SOME CANADIAN PROVINCES DO NOT ALLOW THE EXCLUSION OR LIMITATION OF INCIDENTAL OR CONSEQUENTIAL DAMAGES, SO THE ABOVE LIMITATION OR EXCLUSION MAY NOT APPLY TO YOU.**

**THIS LIMITED WARRANTY GIVES YOU SPECIFIC LEGAL RIGHTS, AND YOU MAY ALSO HAVE OTHER RIGHTS WHICH VARY FROM STATE TO STATE IN THE U.S., PROVINCE TO PROVINCE IN CANADA AND FROM COUNTRY TO COUNTRY.**

**THIS LIMITED WARRANTY APPLIES ONLY TO PORTABLE ELECTRIC TOOLS, BENCH POWER TOOLS, OUTDOOR POWER EQUIPMENT AND PNEUMATIC TOOLS SOLD WITHIN THE UNITED STATES OF AMERICA, CANADA AND THE COMMONWEALTH OF PUERTO RICO. FOR WARRANTY COVERAGE WITHIN OTHER COUNTRIES, CONTACT THE WEN CUSTOMER SUPPORT LINE.**