

INSTRUCTION MANUAL

SAFETY INFORMATION

⚠ WARNING: Read and understand all warnings, cautions and operating instructions before using this device. Failure to follow all instructions listed below may result in personal injury and device damage.

1. OBSERVE work area conditions. Keep work area well lit.
2. ALWAYS keep your work area clean, uncluttered, and well lit. DO NOT work on floor surfaces that are slippery with sawdust or wax.
3. USE THE RIGHT PRODUCT FOR THE JOB. There are certain applications for which this item was designed. Do not modify it and do not use it for a purpose for which it was not intended.
4. CHECK FOR DAMAGED PARTS. Before using any product, any part that appears damaged should be carefully checked to determine that it will operate properly and perform its intended function. Check for any broken or damaged parts and any other conditions that may affect its operation. Replace or repair damaged or worn parts immediately.
5. WHEN SERVICING use only identical replacement parts and accessories. Using any other parts will void the warranty.
6. DO NOT operate the tool if you are under the influence of drugs, alcohol, or medication that may affect your ability to properly use the tool.
7. DO NOT EXCEED THE PRODUCT'S MAXIMUM LOAD CAPACITY. Always keep weight evenly distributed.
8. ONLY USE ON A FLAT SURFACE capable of supporting the item with its maximum capacity load. It is easy to lose control if attempting to pull a load on a sloping or uneven surface.
9. DO NOT ALLOW CHILDREN TO PLAY ON, stand upon or climb on this item. It is not intended for carrying people or animals.
10. ALWAYS CHECK HARDWARE and assembled parts after assembling. All connections should be tight.

HAVE PRODUCT QUESTIONS? NEED TECHNICAL SUPPORT? Please feel free to contact us:

📞 1-800-232-1195 (M-F 8AM-5PM CST) | 📧 TECHSUPPORT@WENPRODUCTS.COM

This item has a **2-year warranty** - for the full warranty statement, please visit wenproducts.com.

Replacement parts and the most up-to-date instruction manuals can be found on wenproducts.com



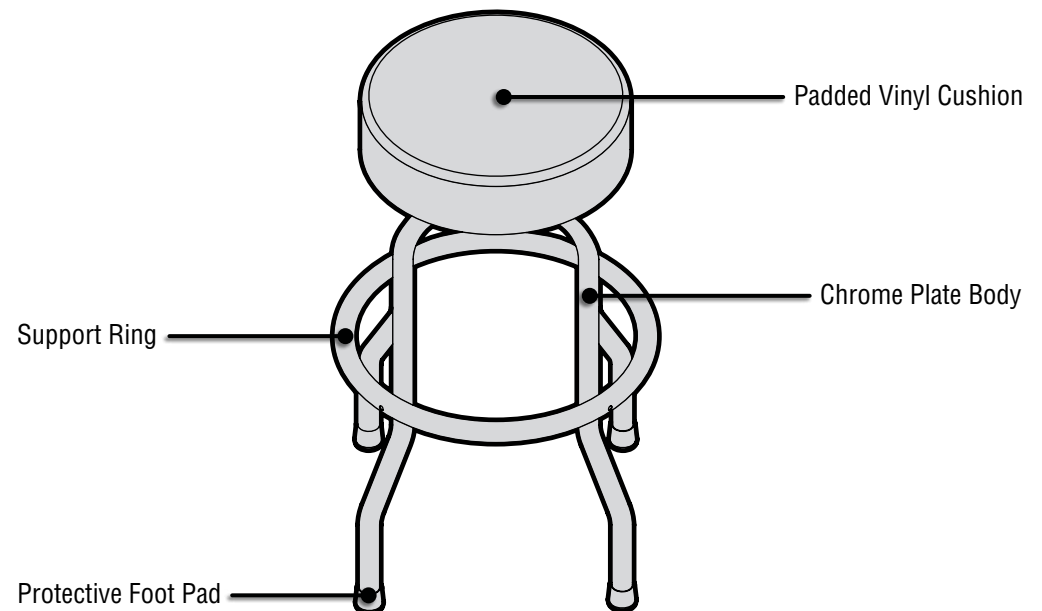
MODEL 73016

300-POUND CAPACITY CHROME PLATED BAR STOOL

SPECIFICATIONS

Model	73016
Maximum Capacity	300 pounds evenly distributed
Seat Height	29 inches
Support Ring Height	13.5 inches
Product Weight	14 pounds
Product Dimensions	14.5 in. x 14.5 in. x 29 in.

KNOW YOUR BAR STOOL



INSTRUCTION MANUAL

ASSEMBLY

ASSEMBLING THE BAR STOOL

1. Place the upper leg (Fig. 1 - 1) over the lower leg (Fig 1 - 2).

2. Slide the support ring (Fig. 1 - 3) over the leg assembly and secure with four M6x50 round head bolts (Fig. 1 - 4), washers (Fig. 1 - 5), and nuts (Fig. 1 - 6).

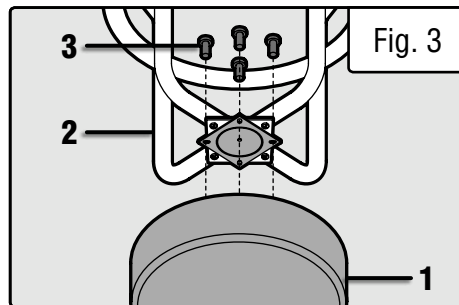
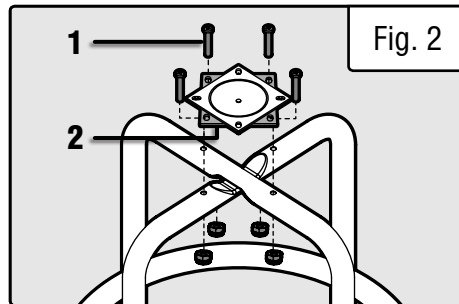
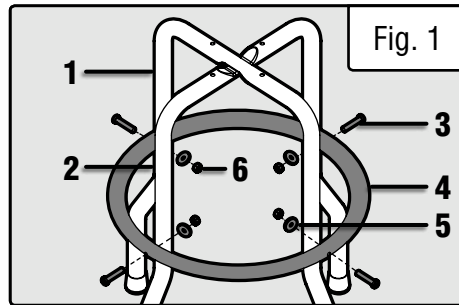
NOTE: The round head bolts should be inserted through the support ring first and then the upper and lower legs.

3. Insert four M6x35 bolts (Fig. 2 - 1) through the swivel plate (Fig. 2 - 2) and into the corresponding holes on the legs. Secure the bolts with four washers and nuts and tighten.

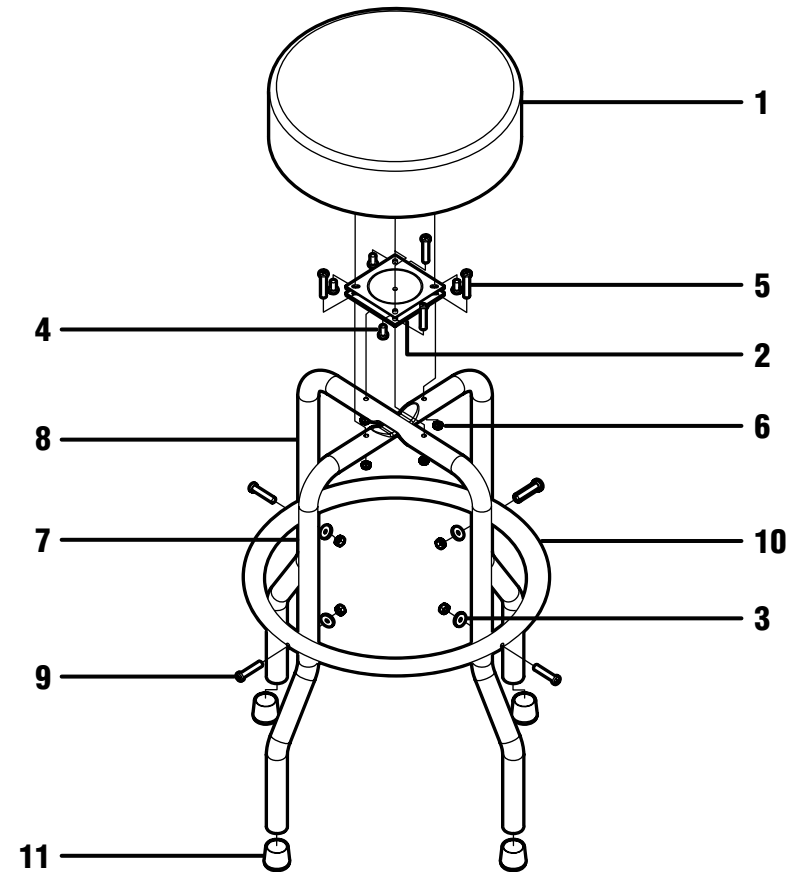
4. Place the seat (Fig. 3 - 1) cushion face down on a flat surface. Place the swivel assembly (Fig. 3 - 2) on the bottom of the seat so that the holes on the swivel line up with the holes on the bottom of the seat.

6. Insert four M6x14 bolts (Fig. 3 - 3) through the swivel plate and into the holes on the bottom of the seat. Loosely secure the bolts to the seat bottom to ensure proper alignment. Once positioned, tighten the bolts completely.

NOTE: Periodically check to make sure that all bolts and nuts remain tightened. Do not use the seat if any components are damaged or loose.



EXPLODED VIEW & PARTS LIST



No.	Part No.	Description	Qty.	No.	Part No.	Description	Qty.
1	73014-01	Seat	1	7	73016-07	Lower Leg	1
2	73014-02	Swivel	1	8	73016-08	Upper Leg	1
3	73014-03	Flat Washer	8	9	73014-10	Round Phillips Head Bolt M6x50	4
4	73014-04	Round Phillips Head Bolt M6x14	4	10	73014-11	Support Ring	1
5	73014-05	Round Phillips Head Bolt M6x35	4	11	73014-12	Foot Pad	4
6	73014-06	Nut M6	8				