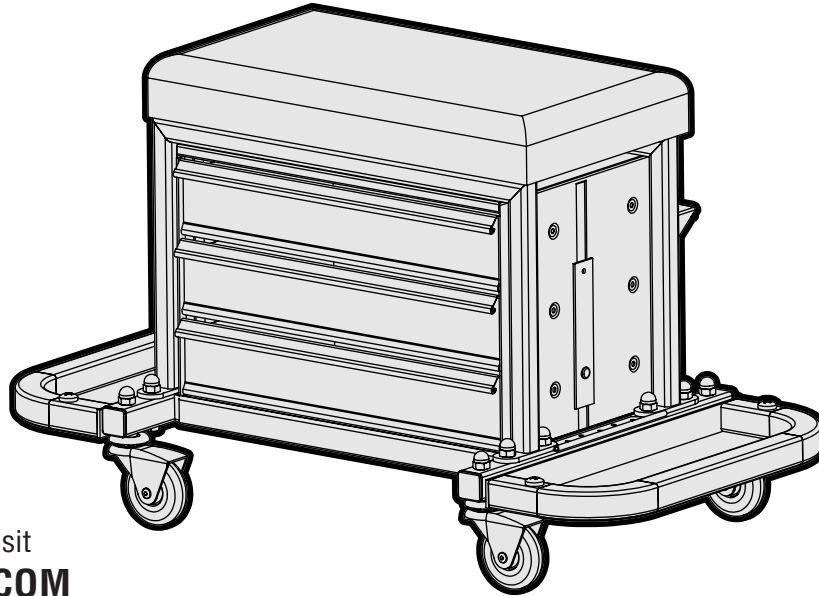




MODEL 73015

GARAGE GLIDER



For replacement parts visit
WENPRODUCTS.COM

IMPORTANT:

Your new tool has been engineered and manufactured to WEN's highest standards for dependability, ease of operation, and operator safety. When properly cared for, this product will supply you years of rugged, trouble-free performance. Pay close attention to the rules for safe operation, warnings, and cautions. If you use your tool properly and for its intended purpose, you will enjoy years of safe, reliable service.



NEED HELP? CONTACT US!

Have product questions? Need technical support?
Please feel free to contact us at:



800-232-1195 (M-F 8am-5pm CST)



techsupport@wenproducts.com



WENPRODUCTS.COM

NOTICE: Please refer to wenproducts.com for the most up-to-date instruction manual.

TABLE OF CONTENTS


| | |
|----------------------------------|----|
| Specifications..... | 2 |
| Introduction | 3 |
| General Safety Rules | 4 |
| Know Your Garage Glider | 6 |
| Assembly | 7 |
| Exploded View & Parts List | 9 |
| Warranty Statement..... | 10 |

SPECIFICATIONS

| | |
|-------------------------|-----------------------------|
| Model Number | 73015 |
| Maximum Capacity | 350 lbs. evenly distributed |
| Drawer Capacity | 22 lbs |
| Side Tool Tray Capacity | 11 lbs |
| Total Dimensions | 16.5 x 27 x 16 inches |
| Weight | 27.2 lbs |

INTRODUCTION

Thanks for purchasing the WEN Garage Glider. We know you are excited to put your item to work, but first, please take a moment to read through the manual. Safe operation of this item requires that you read and understand this operator's manual and all the labels affixed to the tool. This manual provides information regarding potential safety concerns, as well as helpful assembly and operating instructions for your item.


 **SAFETY ALERT SYMBOL:** Indicates danger, warning, or caution. The safety symbols and the explanations with them deserve your careful attention and understanding. Always follow the safety precautions to reduce the risk of fire, electric shock and personal injury. However, please note that these instructions and warnings are not substitutes for proper accident prevention measures.

NOTE: The following safety information is not meant to cover all possible conditions and situations that may occur. WEN reserves the right to change this product and specifications at any time without prior notice.

Keep this manual available to all users during the entire life of the tool and review it frequently to maximize safety for both yourself and others.

GENERAL SAFETY RULES

**Safety is a combination of common sense, staying alert and knowing how your item works.
SAVE THESE SAFETY INSTRUCTIONS.**

 **WARNING:** Read and understand all warnings, cautions and operating instructions before using this item. Failure to follow all instructions listed below may result in personal injury and tool damage. These safety rules cannot address every possible scenario you may encounter, so please use common sense and caution when using the item.

WORK AREA SAFETY


1. Keep work area clean and well lit. Cluttered or dark areas invite accidents. Do not work on floor surfaces that are slippery.
2. Only use on a flat surface capable of supporting the item with its maximum capacity load. It is easy to lose control if attempting to pull a load on a sloping or uneven surface.
3. Do not allow children to play, stand, or climb on this item. It is not intended for carrying people or animals.

PERSONAL SAFETY

1. Read and become familiar with this entire instruction manual. Learn the item's applications, limitations, and possible hazards.
2. Stay alert, watch what you are doing and use common sense when using the item. Do not use the item while you are tired or under the influence of drugs, alcohol or medication. A moment of inattention while operating using the item may result in serious personal injury.
3. Use personal protective equipment. Always wear eye protection. Protective equipment such as a dust mask, non-skid safety shoes and hearing protection used for appropriate conditions will reduce the risk of personal injury.
4. Dress properly. Do not wear loose clothing or jewelry. Keep your hair and clothing away from moving parts. Loose clothes, jewelry or long hair can be caught in moving parts.
5. Do not exceed the product's maximum load capacity. Always keep weight evenly distributed.
6. Do not overreach. Keep proper footing and balance at all times.

GENERAL SAFETY RULES

**Safety is a combination of common sense, staying alert and knowing how your item works.
SAVE THESE SAFETY INSTRUCTIONS.**

 **WARNING:** Read and understand all warnings, cautions and operating instructions before using this item. Failure to follow all instructions listed below may result in personal injury and tool damage. These safety rules cannot address every possible scenario you may encounter, so please use common sense and caution when using the item.

ITEM USE AND CARE

1. Use the right product for the job. There are certain applications for which this item was designed. Do not modify it and do not use it for a purpose for which it was not intended.
2. Check for damaged parts. Before using any product, any part that appears damaged should be carefully checked to determine that it will operate properly and perform its intended function. Check for any broken or damaged parts and any other conditions that may affect its operation. Replace or repair damaged or worn parts immediately.
3. Store idle equipment out of the reach of children and do not allow persons unfamiliar with the item or these instructions to use the item. Store the item in a safe and clean location.
4. Maintain items. Check for misalignment or binding of moving parts, breakage of parts and any other condition that may affect the item's operation. If damaged, have the item repaired before use. Many accidents are caused by poorly maintained items.
5. Always check hardware and assembled parts after assembling. All connections should be tight.

SERVICE

Have your item serviced by a qualified repair person using only identical replacement parts. This will ensure that the safety of the item is maintained. Using any other parts will void the warranty.

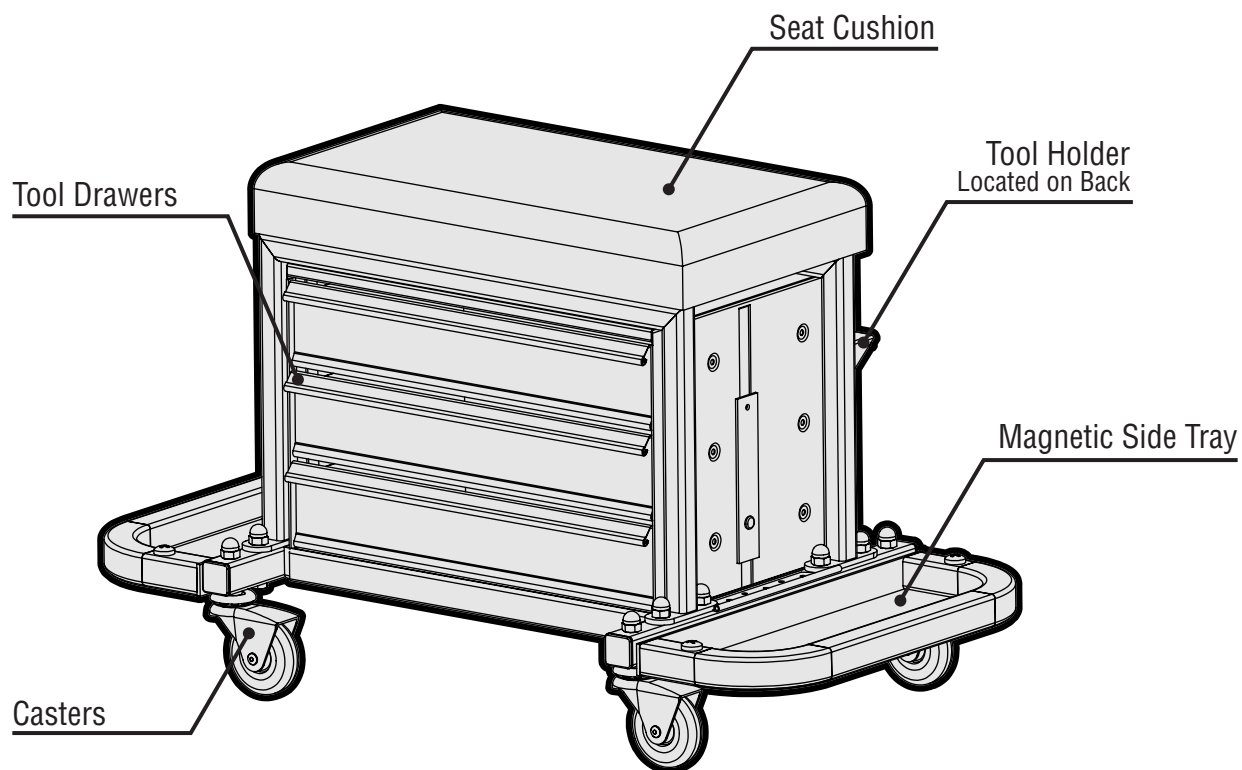
KNOW YOUR GARAGE GLIDER

UNPACKING

With the help of a friend or trustworthy foe, carefully remove the garage glider from the packaging. Do not discard the packaging until all of the parts below are accounted for. If any part is damaged or missing, please contact our customer service at (800) 232-1195, M-F 8-5 CST or email us at techsupport@wenproducts.com.

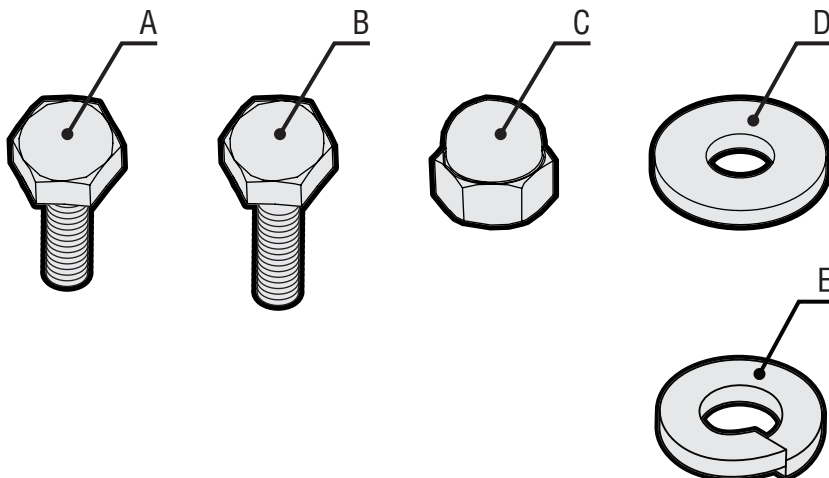
TOOL PURPOSE

Easily move around your shop and store your tools in the garage glider rolling tool chest. Refer to the diagram below to become familiarized with the parts and features of your garage glider.



INCLUDED ACCESSORIES

- A. 35mm M8 Bolt (4)
- B. 40mm M8 Bolt (4)
- C. M8 Round-Head (12)
- D. Washer (12)
- E. Spring Washer (4)

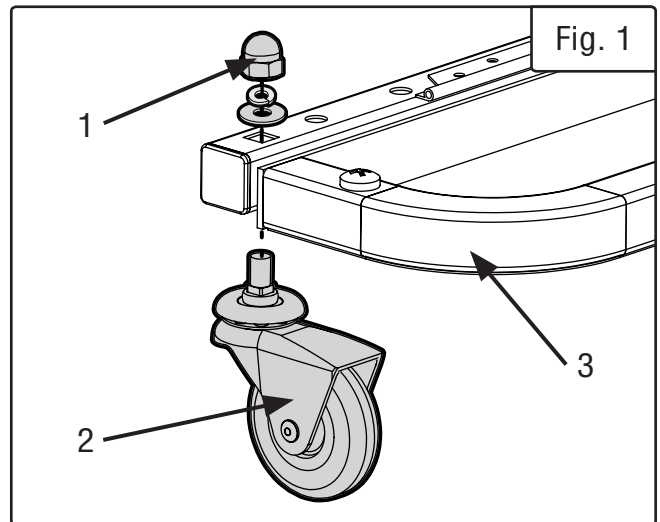


ASSEMBLY

⚠ WARNING: Do not use the item until it is fully assembled according to the instructions. Failure to follow the safety instructions may result in serious personal injury.

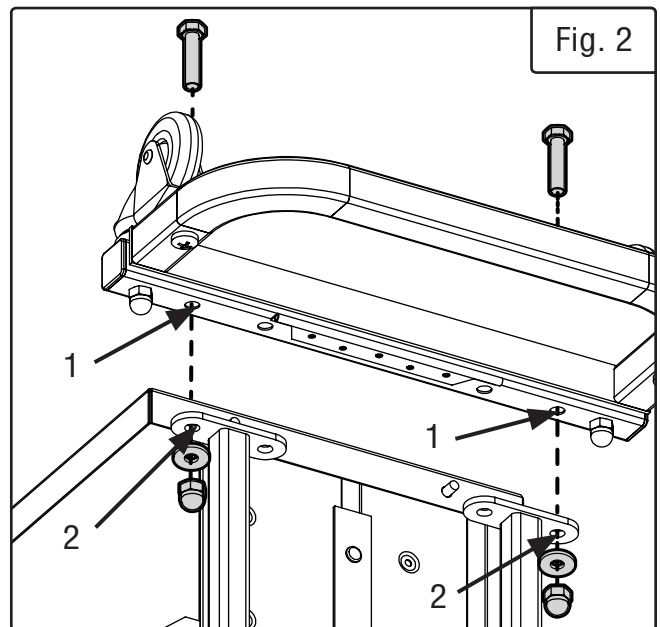
ATTACH THE CASTERS

1. Gather both side trays (Fig. 1 - 3) and all four casters (Fig. 1 - 2).
2. Align the casters with the outermost holes on the side trays.
3. Fasten with a washer, spring washer, and round-head nut (Fig. 1 - 1) using a 14mm wrench (not included) to tighten it. Repeat with all four casters.



ATTACH THE SIDE TRAYS

1. Place the tool chest upside down, so that the seat cushion is on the floor.
2. Align the outer holes on the side tray assembly (Fig. 2 - 1) with the outer holes on the tool chest (Fig. 2 - 2).
3. Fasten the side tray assembly to the tool chest using a 35mm M8 bolt, a washer, and a round-head nut. Repeat on all four outer corners.

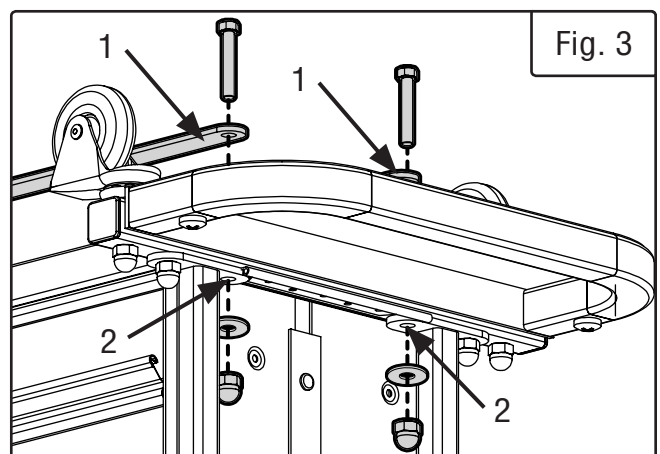


Note: Your garage glider comes with eight M8 bolts, four of them are 35mm long and four of them are 40mm long. Be sure to use the shorter (35mm) bolts for this step.

4. Tighten all four nuts with a 14mm wrench (not included).

ATTACH THE SUPPORT BARS

1. Align the support bars (Fig. 3 - 1) with the inner holes (Fig. 3 - 2) on the tool chest assembly.
2. Fasten the support bars to the tool chest assembly using a 40mm M8 bolt, a washer, and a round-head nut. Repeat on all four inner slots.
3. Tighten all four nuts with a 14mm wrench (not included).



ASSEMBLY

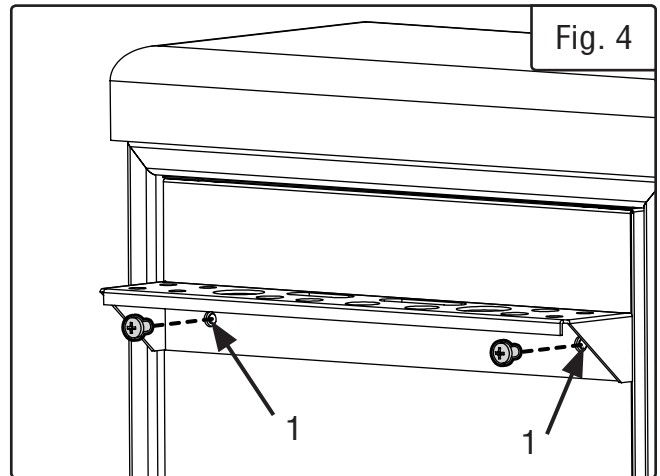
ATTACH THE TOOL HOLDER

1. Flip the garage glider upright, so its sitting on its wheels.

2. Align the holes on the tool holder (Fig. 4 - 1) with the holes on the rear of the tool chest.

Note: The flat part of the tool holder should be on the top.

3. Fasten with two M6 bolts. Use a Phillips-head screwdriver (not included) to tighten.



SIDE TRAY STRAPS

There are two pre-assembled side tray straps (Fig. 5 - 1) located on the short sides of the garage glider. These straps can be used to fold up the side trays when not in use.

To fold up:

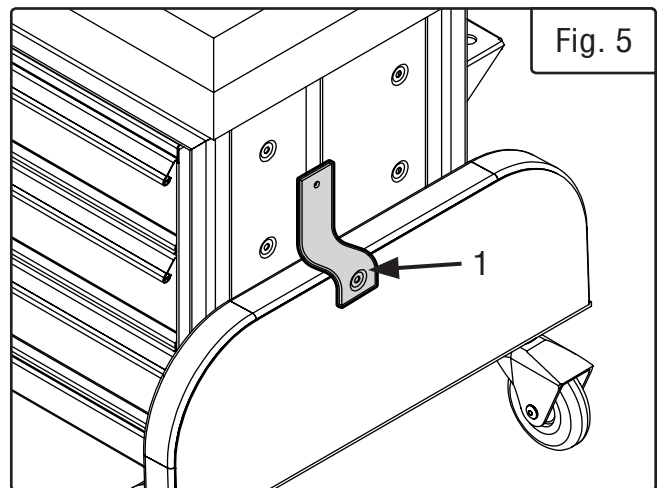
1. Remove all items from the side tray. Fold the side tray up.

2. Snap the side tray strap onto the bottom of the side tray.

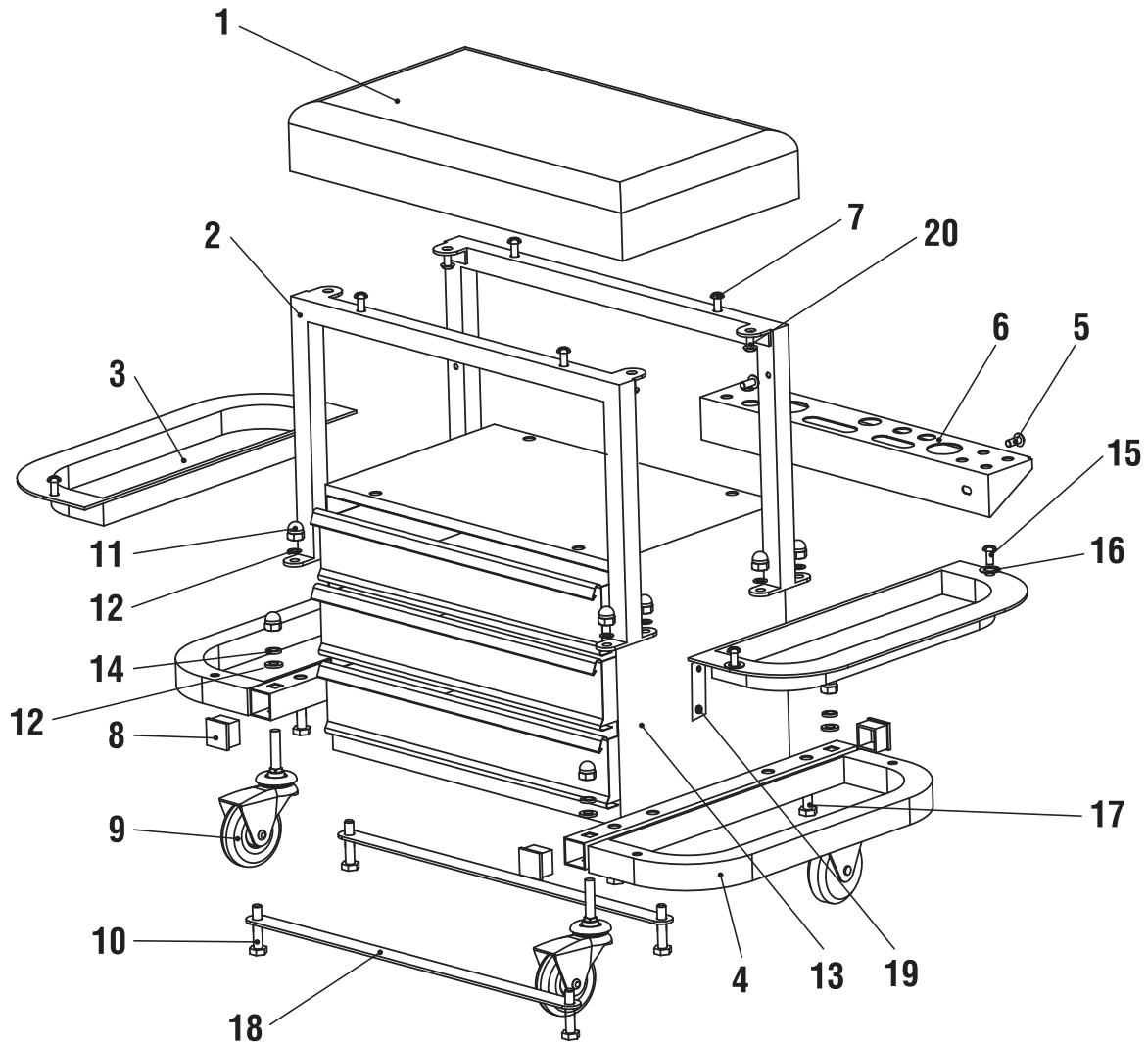
To unfold:

1. Hold the side tray, unsnap the side tray strap. Slowly lower the tray.

2. Place items onto the side tray, do not exceed 11 pounds evenly distributed.



EXPLODED VIEW & PARTS LIST



| No. | Part No. | Description | Qty. |
|-----|-----------|-----------------|------|
| 1 | 73015-001 | Seat Cushion | 1 |
| 2 | 73015-002 | Body Frame | 2 |
| 3 | 73015-003 | Magnetic Tray | 2 |
| 4 | 73015-004 | Tool Tray Frame | 2 |
| 5 | 73015-005 | Bolt M6x10 | 2 |
| 6 | 73015-006 | Tool Holder | 1 |
| 7 | 73015-007 | Bolt M6x30 | 4 |
| 8 | 73015-008 | Plastic Cap | 4 |
| 9 | 73015-009 | 2.5" PVC Caster | 4 |
| 10 | 73015-010 | Bolt M8x40 | 4 |

| No. | Part No. | Description | Qty. |
|-----|-----------|---------------------|------|
| 11 | 73015-011 | Round-Head Nut M8 | 12 |
| 12 | 73015-012 | Washer | 12 |
| 13 | 73015-013 | Body with 3 Drawers | 1 |
| 14 | 73015-014 | Spring Washer | 4 |
| 15 | 73015-015 | Bolt M8x16 | 4 |
| 16 | 73015-016 | Washer | 4 |
| 17 | 73015-017 | Bolt M8x35 | 4 |
| 18 | 73015-018 | Support Bar | 2 |
| 19 | 73015-019 | Strap | 2 |
| 20 | 73015-020 | Screw M6x25 | 4 |

WARRANTY STATEMENT

WEN Products is committed to building tools that are dependable for years. Our warranties are consistent with this commitment and our dedication to quality.

LIMITED WARRANTY OF WEN CONSUMER POWER TOOLS PRODUCTS FOR HOME USE

GREAT LAKES TECHNOLOGIES, LLC (“Seller”) warrants to the original purchaser only, that all WEN consumer power tools will be free from defects in material or workmanship for a period of two (2) years from date of purchase. Ninety days for all WEN products if the tool is used for professional or commercial use.

SELLER’S SOLE OBLIGATION AND YOUR EXCLUSIVE REMEDY under this Limited Warranty and, to the extent permitted by law, any warranty or condition implied by law, shall be the repair or replacement of parts, without charge, which are defective in material or workmanship and which have not been misused, carelessly handled, or misrepaired by persons other than Seller or Authorized Service Center. To make a claim under this Limited Warranty, you must make sure to keep a copy of your proof of purchase that clearly defines the Date of Purchase (month and year) and the Place of Purchase. Place of purchase must be a direct vendor of Great Lakes Technologies, LLC. Third party vendors such as garage sales, pawn shops, resale shops, or any other secondhand merchant void the warranty included with this product. Contact techsupport@wenproducts.com or 1-800-232-1195 to make arrangements for repairs and transportation.

When returning a product for warranty service, the shipping charges must be prepaid by the purchaser. The product must be shipped in its original container (or an equivalent), properly packed to withstand the hazards of shipment. The product must be fully insured with a copy of the warranty card and/or the proof of purchase enclosed. There must also be a description of the problem in order to help our repairs department diagnose and fix the issue. Repairs will be made and the product will be returned and shipped back to the purchaser at no charge.

THIS LIMITED WARRANTY DOES NOT APPLY TO ACCESSORY ITEMS THAT WEAR OUT FROM REGULAR USAGE OVER TIME INCLUDING BELTS, BRUSHES, BLADES, ETC. ANY IMPLIED WARRANTIES SHALL BE LIMITED IN DURATION TO TWO (2) YEARS FROM DATE OF PURCHASE. SOME STATES IN THE U.S., SOME CANADIAN PROVINCES DO NOT ALLOW LIMITATIONS ON HOW LONG AN IMPLIED WARRANTY LASTS, SO THE ABOVE LIMITATION MAY NOT APPLY TO YOU.

IN NO EVENT SHALL SELLER BE LIABLE FOR ANY INCIDENTAL OR CONSEQUENTIAL DAMAGES (INCLUDING BUT NOT LIMITED TO LIABILITY FOR LOSS OF PROFITS) ARISING FROM THE SALE OR USE OF THIS PRODUCT. SOME STATES IN THE U.S. AND SOME CANADIAN PROVINCES DO NOT ALLOW THE EXCLUSION OR LIMITATION OF INCIDENTAL OR CONSEQUENTIAL DAMAGES, SO THE ABOVE LIMITATION OR EXCLUSION MAY NOT APPLY TO YOU.

THIS LIMITED WARRANTY GIVES YOU SPECIFIC LEGAL RIGHTS, AND YOU MAY ALSO HAVE OTHER RIGHTS WHICH VARY FROM STATE TO STATE IN THE U.S., PROVINCE TO PROVINCE IN CANADA AND FROM COUNTRY TO COUNTRY.

THIS LIMITED WARRANTY APPLIES ONLY TO PORTABLE ELECTRIC TOOLS, BENCH POWER TOOLS, OUTDOOR POWER EQUIPMENT AND PNEUMATIC TOOLS SOLD WITHIN THE UNITED STATES OF AMERICA, CANADA AND THE COMMONWEALTH OF PUERTO RICO. FOR WARRANTY COVERAGE WITHIN OTHER COUNTRIES, CONTACT THE WEN CUSTOMER SUPPORT LINE.

**THANKS FOR
REMEMBERING**

