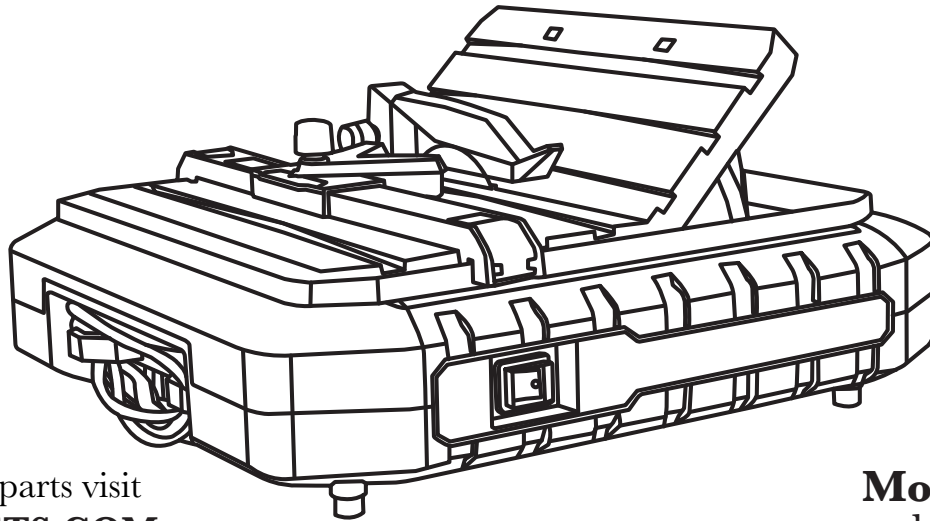




4-1/2 INCH WET TILE SAW



For replacement parts visit
WENPRODUCTS.COM

Model # 71745
bit.ly/wenvideo


IMPORTANT:

Your new tool has been engineered and manufactured to WEN's highest standards for dependability, ease of operation, and operator safety. When properly cared for, this product will supply you years of rugged, trouble-free performance. Pay close attention to the rules for safe operation, warnings, and cautions. If you use your tool properly and for intended purpose, you will enjoy years of safe, reliable service.



NEED HELP? CONTACT US!

Have product questions? Need technical support?
Please feel free to contact us at:

 **800-232-1195** (M-F 8AM-5PM CST)

 techsupport@wenproducts.com

 **WENPRODUCTS.COM**

NOTICE: Please refer to wenproducts.com for the most up-to-date instruction manual.

TABLE OF CONTENTS

Technical Data	2
General Safety Rules	3
Electrical Information	5
Specific Rules For Tile Saws	6
Know Your Tile Saw	7
Assembly and Adjustments	8
Operation	13
Maintenance	16
Troubleshooting Guide	16
Warranty	17
Exploded View & Parts List	18

TECHNICAL DATA

Model Number:	71745
Motor:	120V, 60Hz, 4.1A
No Load Speed:	5000 RPM
Insulation Class:	Class I
Diamond Disc Dimensions:	4-1/2 x 11/128 in. (115 x 2.1 mm)
Diamond Disc Arbor:	5/8 in. (15.9 mm)
Work Table Dimensions:	13 x 14-3/16 in. (330 x 360 mm)
Max. Cutting Depth at 90°:	25/32 in. (20 mm)
Max. Cutting Depth at 45°:	1/2 in. (12.5 mm)
Net Weight:	12 lbs (5.5 kg)
Assembled Product Dimensions:	17-1/2 x 18-1/2 x 7-3/8 in. (472 x 445 x 187 mm)

Replacement diamond discs (Model 71745B) can be ordered at
wenproducts.com

GENERAL SAFETY RULES

Safety is a combination of common sense, staying alert and knowing how your item works.

SAVE THESE SAFETY INSTRUCTIONS.



WARNING! Read all safety warnings and all instructions. Failure to follow the warnings and instructions may result in electric shock, fire and serious injury. To avoid mistakes and serious injury, do not plug in your tool until the following steps have been read and understood.

WORK AREA SAFETY

1. Keep work area clean and well lit. Cluttered or dark areas invite accidents. Do not work on floor surfaces that are slippery with sawdust or wax. Keep the ground clear of tripping hazard.
2. Do not operate power tools in explosive atmospheres, such as in the presence of flammable liquids, gases or dust. Power tools create sparks which may ignite the dust or fumes.
3. Keep bystanders at a safe distance from the work area. Never allow children or pets near the tool.

ELECTRICAL SAFETY

1. Do not expose power tools to rain or wet conditions. Water entering a power tool will increase the risk of electric shock.
2. Power tool plugs must match the outlet. Never modify the plug in any way. Modified plugs with non-matching outlets will increase the risk of electric shock.
3. Check all power supplies periodically. Do not use defective cords. Damaged or entangled cords increase the risk of electric shock.
4. Do not abuse the cord. Never use the cord for carrying, pulling or unplugging the power tool. Keep cord away from heat, oil, sharp edges or moving parts.

PERSONAL SAFETY

1. Stay alert. Watch what you are doing and use common sense when operating a power tool. Do not use a power tool while you are tired or under the influence of drugs, alcohol or medication. A moment of inattention while operating power tools may result in serious personal injury.
2. Do not overreach. Keep proper footing and balance at all times when operating the power tool.
3. Dress appropriately. Do not wear loose clothing, gloves, neckties, or jewelry (rings, watches, etc.) when operating the tool. Inappropriate clothing and items can get caught in moving parts and draw you in. Always wear non-slip footwear and tie back long hair.
4. Use personal protective equipment. Wear safety goggles at all times that comply with ANSI Z87.1. Use ear protection such as plugs or muffs during extended periods of operation. Wear work gloves to protect your hands. Wear a face mask or dust mask to fight the dust.
5. Dust generated from certain materials can be hazardous to your health. Always operate the tool in a well-ventilated area and provide for proper dust removal. Use dust collection systems whenever possible.

GENERAL SAFETY RULES

POWER TOOL USE AND CARE

1. Avoid accidental start-ups. Make sure the power switch is in the OFF position before connecting the plug to a power source or carrying the tool.
2. Check power tool for damaged parts. Check for misalignment of moving parts, jamming, breakage, improper mounting, or any other conditions that may affect the tool's operation. Do not use the power tool if the switch does not turn ON/OFF. Any part that is damaged should be properly repaired or replaced before use.
3. Do not force the tool to do a job for which it was not designed. Use the correct power tool and accessories and follow the instructions for your application to prevent hazardous situations.
4. Never stand on the tool. Serious injury could occur if the tool is tipped over or if the cutting tool is unintentionally contacted.
5. Remove adjustment tools. Always make sure all adjustment tools or wrenches are removed from the tool before turning on the power tool.
6. Keep guards in place and in working order before operating the tool. All protection and safety devices must be in place after completing repair and maintenance procedures.
7. Never leave a running tool unattended. Do not leave the tool until it has come to a complete stop.

POWER TOOL MAINTENANCE

1. Always disconnect the power cord plug from the electrical outlet when making adjustments, changing parts, or storing power tools. Such preventive safety measures reduce the risk of starting the power tool accidentally.
2. Maintain power tools properly. Safely store power tools out of the reach of children. Always keep tools clean and in good working order. Follow instructions for lubricating and changing accessories.
3. Only have your power tool serviced by a qualified repair person using only identical replacement parts. Use of any other part can cause personal injury and damage to the tool.

CALIFORNIA PROPOSITION 65 WARNING

This product and some dust created by power sanding, sawing, grinding, drilling, and other construction activities may contain chemicals, including lead, known to the State of California to cause cancer, birth defects, or other reproductive harm. Wash hands after handling.

Some examples of these chemicals are:

- Lead from lead-based paints.
- Crystalline silica from bricks, cement, and other masonry products.
- Arsenic and chromium from chemically treated lumber.

Your risk from these exposures varies depending on how often you do this type of work. To reduce your exposure to these chemicals, work in a well-ventilated area with approved safety equipment such as dust masks specially designed to filter out microscopic particles.

ELECTRICAL INFORMATION

GROUNDING INSTRUCTIONS

IN THE EVENT OF A MALFUNCTION OR BREAKDOWN, grounding provides the path of least resistance for an electric current and reduces the risk of electric shock. This tool is equipped with an electric cord that has an equipment grounding conductor and a grounding plug. The plug **MUST** be plugged into a matching outlet that is properly installed and grounded in accordance with ALL local codes and ordinances.

DO NOT MODIFY THE PLUG PROVIDED. If it will not fit the outlet, have the proper outlet installed by a licensed electrician.

IMPROPER CONNECTION of the equipment grounding conductor can result in electric shock. The conductor with the green insulation (with or without yellow stripes) is the equipment grounding conductor. If repair or replacement of the electric cord or plug is necessary, **DO NOT** connect the equipment grounding conductor to a live terminal.

CHECK with a licensed electrician or service personnel if you do not completely understand the grounding instructions or whether the tool is properly grounded.

USE ONLY THREE-WIRE EXTENSION CORDS that have three-pronged plugs and outlets that accept the tool's plug as shown in Fig. A. Repair or replace a damaged or worn cord immediately.

CAUTION: In all cases, make certain the outlet in question is properly grounded. If you are not sure, have a licensed electrician check the outlet.

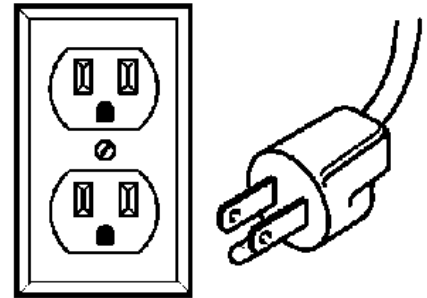


Fig. A

WARNING: This tool is for indoor use only. Do not expose to rain or use in damp locations.

GUIDELINES AND RECOMMENDATIONS FOR EXTENSION CORDS

Make sure your extension cord is in good condition. When using an extension cord, be sure to use one heavy enough to carry the current your product will draw. An undersized cord will cause a drop in line voltage resulting in loss of power and overheating. The table below shows the correct size to be used according to cord length and nameplate ampere rating. When in doubt, use a heavier cord. The smaller the gauge number, the heavier the cord.

Make sure your extension cord is properly wired and in good condition. Always replace a damaged extension cord or have it repaired by a qualified person before using it.

AMPERAGE	REQUIRED GAUGE FOR EXTENSION CORDS			
	25 ft.	50 ft.	100 ft.	150 ft.
4.1 A	18 gauge	16 gauge	16 gauge	14 gauge

Protect your extension cords from sharp objects, excessive heat and damp/wet areas.

Use a separate electrical circuit for your tools. This circuit must not be less than a #12 wire and should be protected with a 15 A time-delayed fuse. Before connecting the motor to the power line, make sure the switch is in the OFF position and the electric current is rated the same as the current stamped on the motor nameplate. Running at a lower voltage will damage the motor.

WARNING: This tool must be grounded while in use to protect the operator from electric shock.

SPECIFIC RULES FOR TILE SAWS

PERSONAL SAFETY

1. Wear proper apparel. Do not wear loose clothing, gloves, neckties, rings, bracelets, or other jewelry which may get caught in moving parts. Nonslip footwear is recommended. Wear protective hair covering to contain long hair.
2. Always use ANSI Z87.1 approved safety glasses. Use face or dust mask if cutting operation is dusty. Everyday glasses cannot be used as safety glasses.
3. Wear hearing protection to prevent hearing damage during operation.

CUTTING DISC SAFETY

1. Use only diamond cutting discs rated above the maximum spindle speed of the tool (5000 RPM) and are appropriate for the material being cut.
2. Only use cutting discs in good working condition. Never use segmented cutting discs. Replace damaged or worn cutting discs immediately. Regularly check to ensure that the cutting disc is correctly fastened to the tool.
3. Use protective gloves when handling cutting discs. A cutting disc can cause injuries, even when it is stationary.

TILE SAW OPERATION AND MAINTENANCE

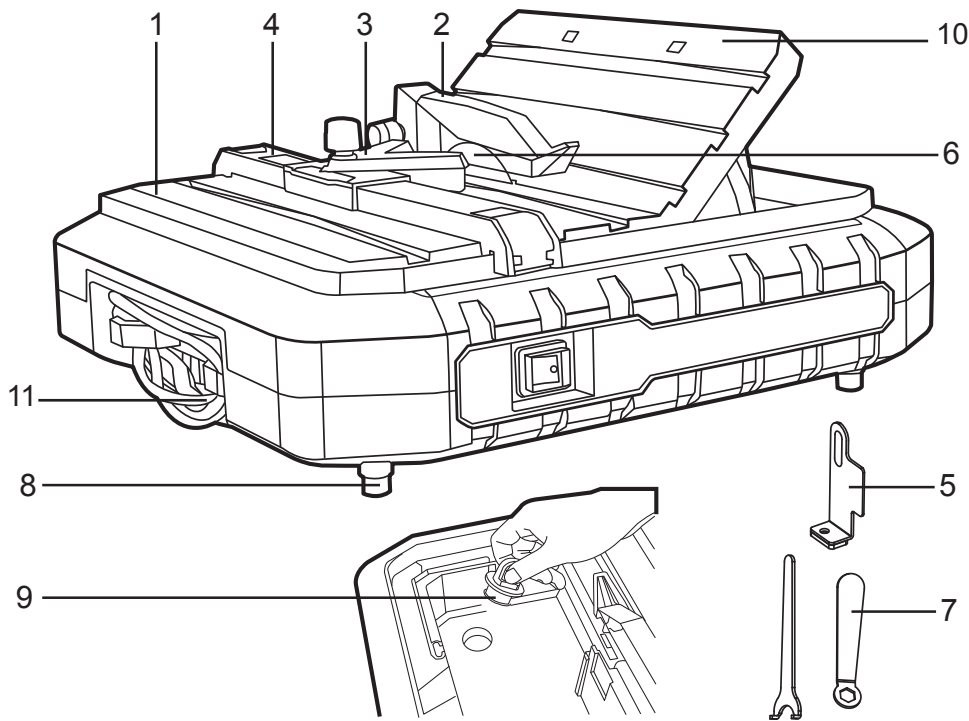
1. Make sure the tile saw is securely positioned or mounted on a level, firm work surface before operating.
2. To reduce the risk of electrocution, keep all connections dry and off the ground. Do not touch plug with wet hands. Refer to “Positioning of the Tile Saw” on page 8 for instructions on arranging a “drip loop” in the power cord to prevent water from entering the power outlet.
3. If any part of this tool is missing, broken, bent, or damaged in any way, shut off the power switch, remove the power plug and have the damaged, missing, or failed parts replaced before operation.
4. Always stand to the side of the cutting disc. Never stand or have any part of your body in line with the path of the disc. Always maintain a sufficient and safe distance from the cutting disc.
5. Never use the machine without the guards in position.
6. Never cut wood or metal with this saw. Do not cut workpieces containing the following materials: ropes, cords, bands, cables, staples, nails, wires and etc.
7. The maximum cutting depth at 90° is 25/32 inch (20 mm). The maximum cutting depth for a 45° bevel cut is 1/2 inch (12.5 mm). Do not exceed the cutting capacity of your saw.
8. Before turning on the tool, make sure the workpiece is not in contact with the cutting disc. Let the cutting disc reach full speed before feeding in the workpiece.
9. Cut only one workpiece at a time. Do not stack workpieces on top of each other. Multiple workpieces can shift during cutting and fly out of control.
10. Keep the water level between the minimum and maximum level markings on the inside of the water tank. Do not operate the tile saw with too little or too much water. Lack of water in the water tank may damage the tile blade.

SPECIFIC RULES FOR TILE SAWS

11. Switch off the tile saw and wait until the cutting disc comes to a complete stop before removing workpieces or residual material from the work area.
12. This tile saw should be used at an ambient temperature between 59°F and 86°F (15°C and 30°C).
13. To avoid accidentally starting the tool, always disconnect the product from its power supply before performing adjustments or maintenance.
14. Use only recommended accessories. The use of improper accessories may cause risk of injury to persons.
15. Always store the product in a dry and frost-free place. Keep the tool and cutting discs away from children.

KNOW YOUR TILE SAW

Carefully unpack the tile saw and all its parts. Do not discard the packaging until the tile saw is completely assembled. Check all parts and compare against the list below. If any part is damaged or missing, please contact our customer service at (800) 232-1195, M-F 8-5 CST or email techsupport@wenproducts.com.



CONTENTS

1. Tile Saw
2. Upper Blade Guard
3. Miter Cutting Guide
4. Parallel Fence
5. Metal Bracket
6. Diamond Disc
7. Wrenches (2)
8. Rubber Feet (4)
9. Water Reservoir Plug
10. 45° Bevel Table
11. Power Cord with Storage Compartment

ASSEMBLY



WARNING: To prevent serious injury from accidental operation, make sure the power cord is disconnected from the power source and the tool is switch to OFF before assembly or making any adjustments.

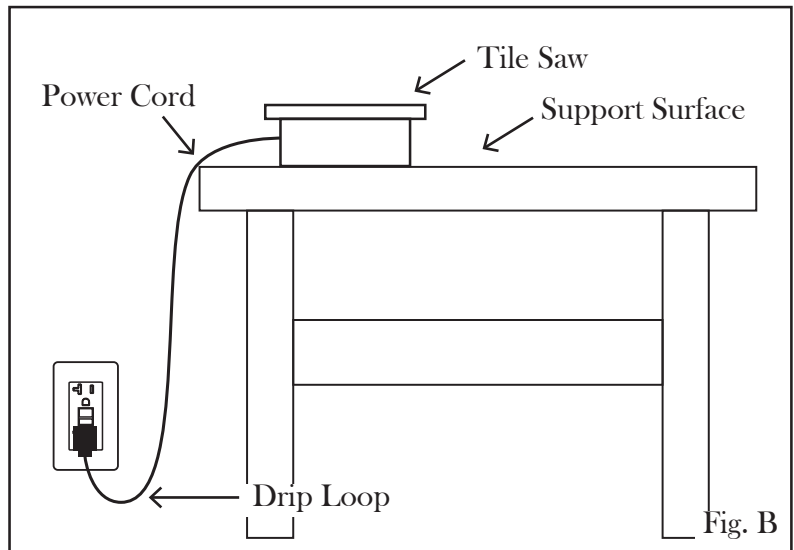
POSITIONING OF THE TILE SAW (Fig. B)

Place the tile saw on a firm, level surface. Allow sufficient area around the tile saw and be prepared that the surrounding area will get wet during operation.

The use of a tile saw requires water in order to cool down the cutting disc. However, water contacting the power source or entering a power tool will increase the risk of electric shock. To avoid the possibility of the power plug or receptacle getting wet, the tile saw should be positioned to one side of a wall mounted receptacle (not directly above it). This prevents water from dripping directly onto the receptacle or power plug.

Create a "drip loop" in the cord connecting the tool to the receptacle (Fig. B). A "drip loop" is the part of the cord that is below the level of the receptacle or the connector (if an extension cord is used). This will prevent the water from traveling down along the cord and coming in contact with the receptacle.

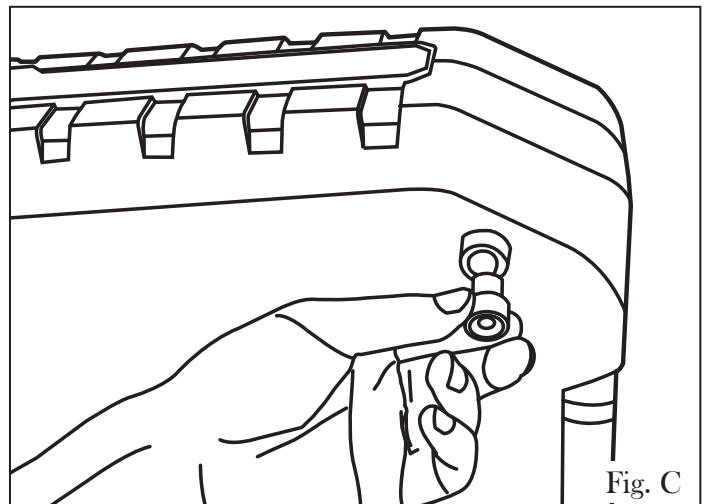
If an extension cord is used, the cord connection must be placed on the elevated surface and the "drip loop" must be arranged before the cord connection to prevent it from getting wet.



WARNING: If the plug or receptacle does get wet, DO NOT unplug the cord. First disconnect the fuse or circuit breaker that supplies power to the tool. Then, unplug the tool and examine for presence of water in the receptacle.

INSTALLING THE RUBBER FEET (Fig. C)

Remove all attachments from the tile saw and slightly lift the base from one side. Insert the rubber feet into the hole on the base as shown (Fig. C). Repeat for all four feet.



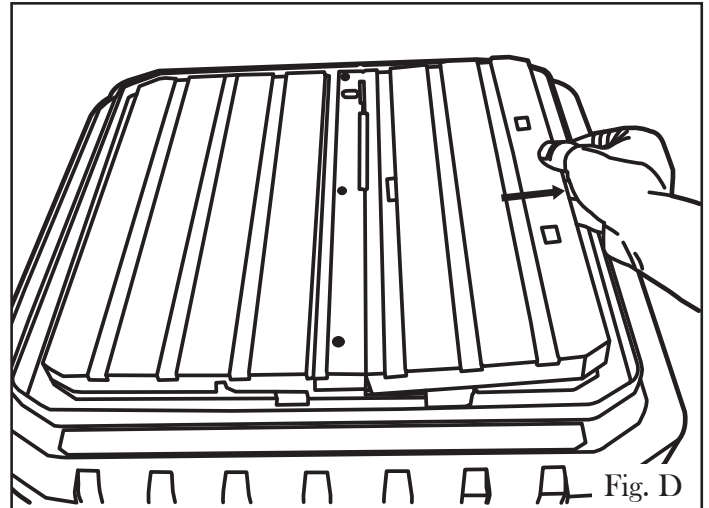
ASSEMBLY



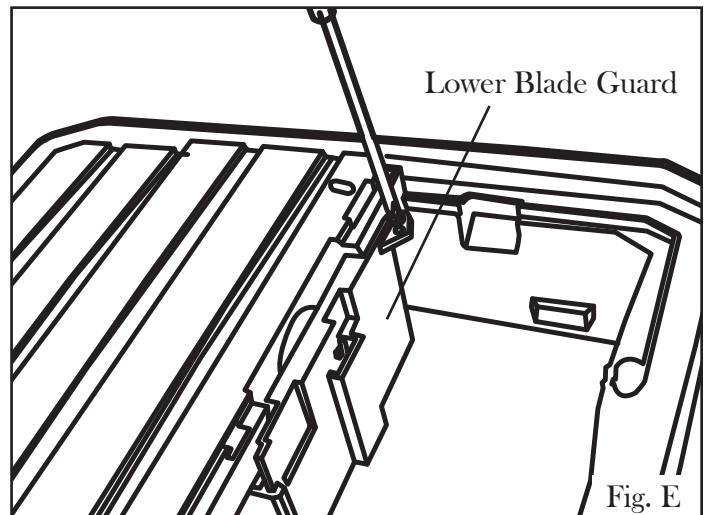
WARNING: To prevent serious injury from accidental operation, make sure the power cord is disconnected from the power source and the tool is switch to OFF before assembly or making any adjustments.

INSTALLING THE DIAMOND DISC AND METAL BRACKET (Fig. D to L)

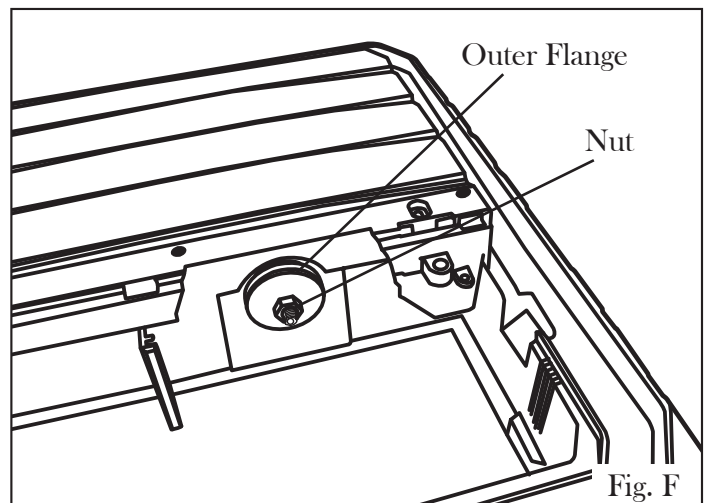
1. Remove the 45° bevel table to access the lower blade guard inside the water tank (Fig. D).



2. Loosen and remove the screw and washer from the lower blade guard (Fig. E). Swing the lower blade guard open and lift it out of the notch.



3. Remove the nut and outer flange from the spindle using the two included wrenches (Fig. F). Do not remove the inner flange.



(Continued on next page)

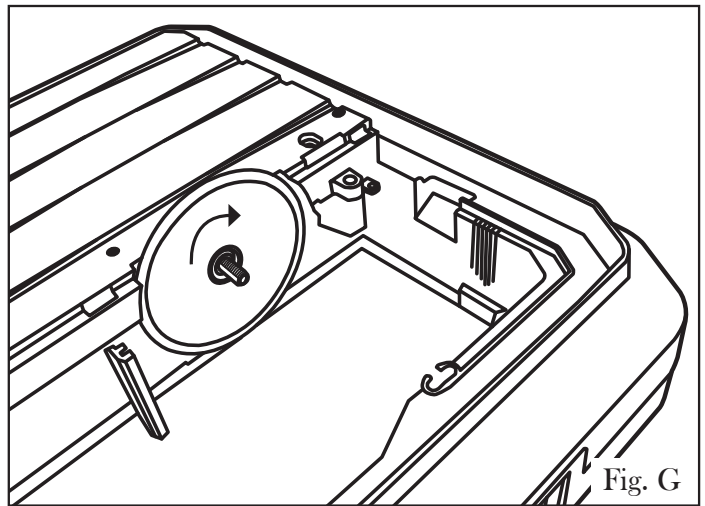
ASSEMBLY & ADJUSTMENTS



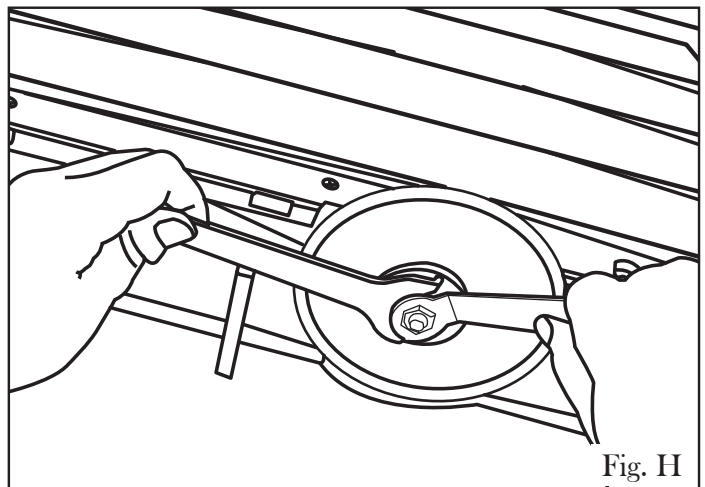
WARNING: To reduce the risk of injury, only use cutting disc that is suitable for you tile saw. Do not use disc with speed rating less than 5000 RPM. Make sure the edge of the blade is smooth and free of openings or grooves.

(Continued)

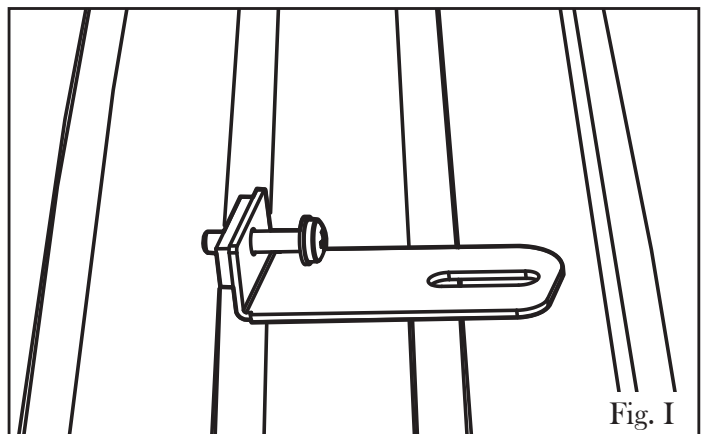
4. Check the rotation arrow indicated on the diamond disc. The arrow on the disc must be indicating the same direction as the arrow marked on the tool housing. Slide the disc onto the spindle. Ensure that the disc is fully mounted and centered (Fig. G).



5. Replace the outer flange and nut and tighten securely with the two wrenches (Fig. H). Check that both the inner and outer flanges are in contact with the cutting disc.



6. Remove the screw and washer from the metal bracket (Fig. I).

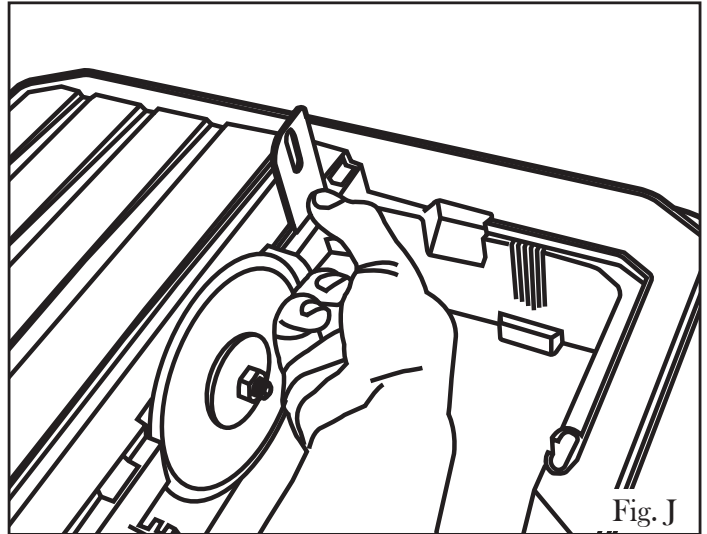


(Continued on next page)

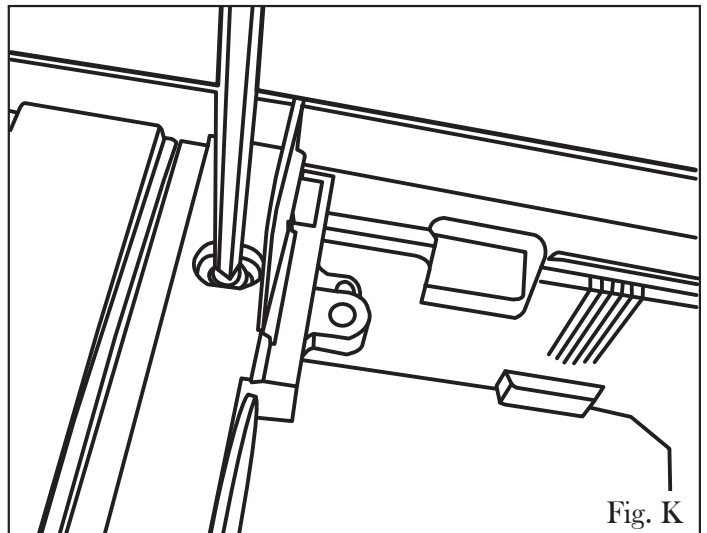
ASSEMBLY & ADJUSTMENTS

(Continued)

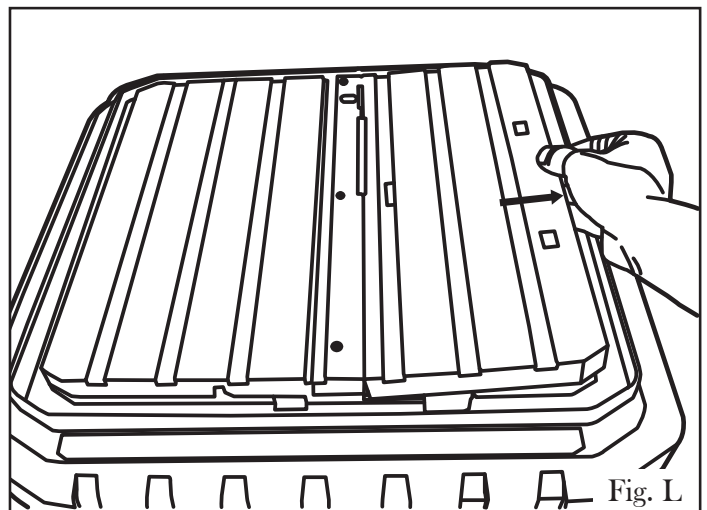
7. Place the metal bracket under the plastic housing then slide it into the slot (Fig. J). Fix the metal bracket into position using the screw and washer previously removed. Ensure that the metal bracket is in line with the diamond disc.



8. Insert the lower blade guard back into the notch and then tighten the screw (Fig. K).



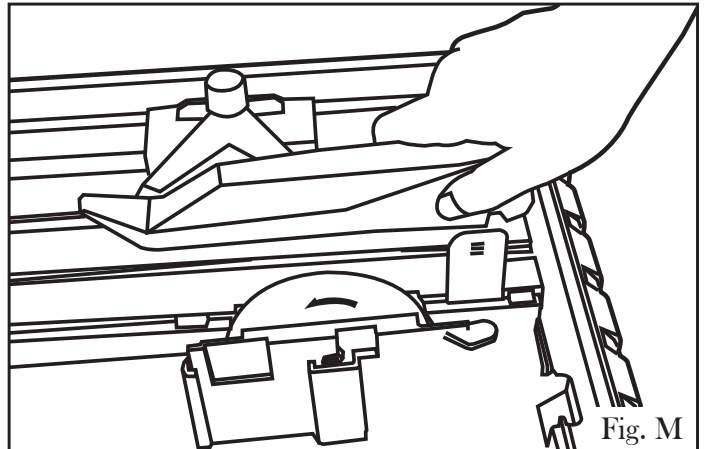
9. Place the 45° bevel table back into position (Fig. L).



ASSEMBLY & ADJUSTMENTS

INSTALLING THE PROTECTIVE GUARD (Fig. M to N)

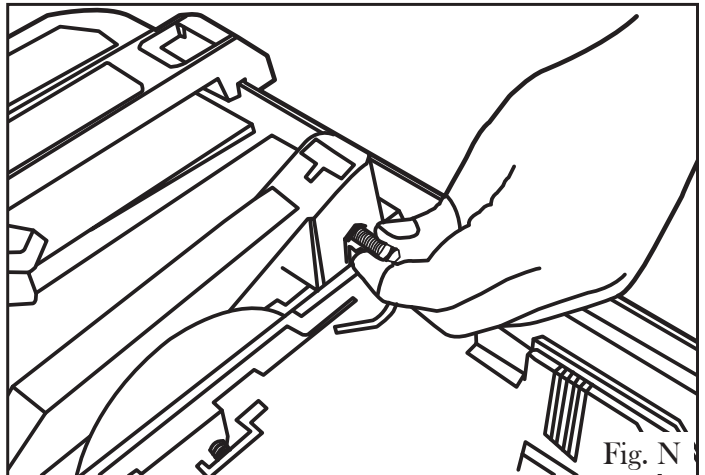
1. Take the upper blade guard and position it onto the metal bracket as shown (Fig. M). Avoid contacting the blade with your hand.



2. Secure it in place using the screw and washer. Push the red cover cap over the nut (Fig. N).

3. Cover the diamond disc with the upper blade guard.

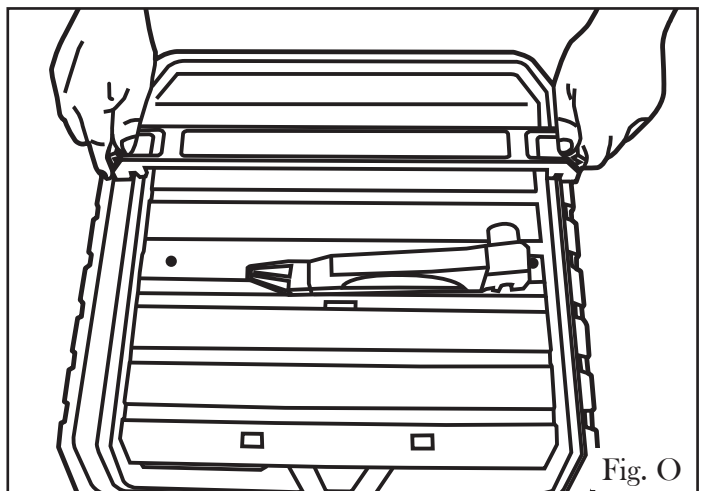
NOTE: Do not over-tighten the protective guard. The guard should rise and fall freely as the workpiece is pushed towards the disc during cutting operation. Ensure the protective guard cannot touch the cutting disc.



INSTALLING THE PARALLEL FENCE (Fig. O)

1. Pull open the two fence lock knobs on the sides of the parallel fence.

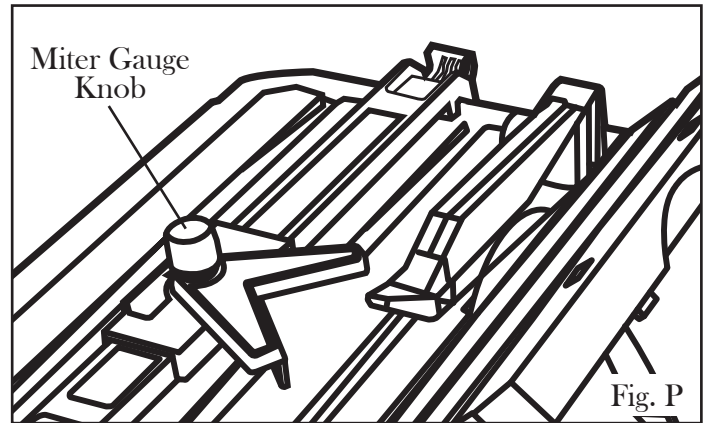
2. Fit the fence onto the rim of the work table. Close the fence lock knobs to lock the parallel fence in place (Fig. O).



ASSEMBLY & ADJUSTMENTS

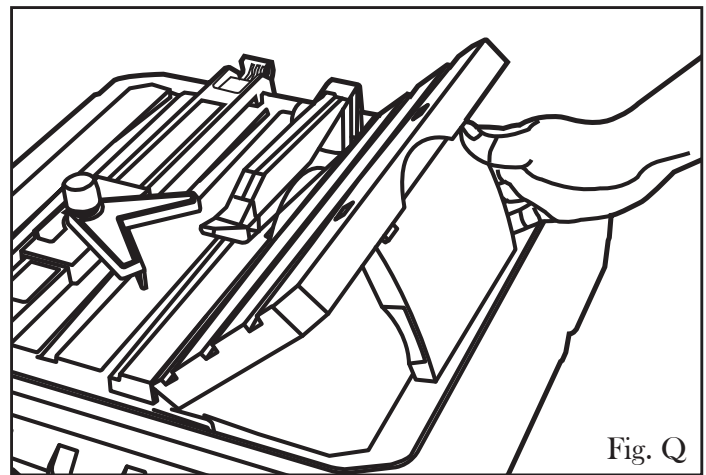
INSTALLING THE MITER GAUGE (Fig. P)

Attach the miter gauge on top of the parallel fence. The miter angle can be adjusted from 0° to 45°. Loosen the miter gauge knob (Fig. P) and rotate the gauge to the desired angle setting. Tighten the miter gauge knob to lock the miter angle.



USING THE 45° BEVEL TABLE (Fig. Q)

Raise the 45° bevel table, bring up the table support and locate the tabs into the corresponding holes in the bottom of the bevel table (Fig. Q). Ensure that the table is fully secured onto the support.



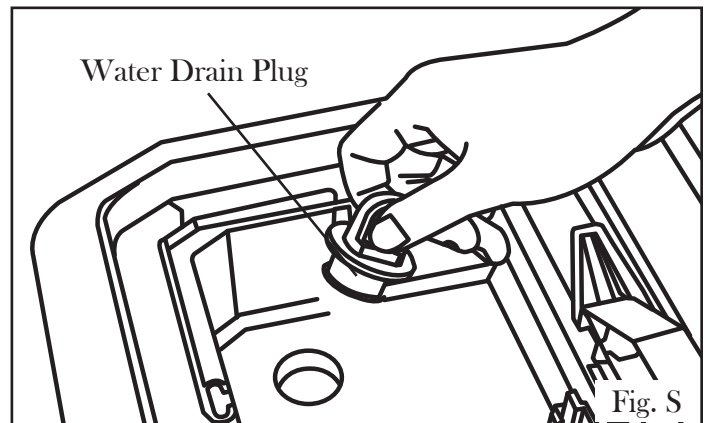
FILLING AND EMPTYING THE WATER TANK (Fig. S)

1. Remove the 45° bevel table to access the water tank.
2. Push down the water drain plug firmly to avoid water from leaking out.
3. Fill the water tank with water up to the maximum fill line marked on the inside of the tank .



WARNING: Do not add chemicals or detergents to the water.

4. After operation, turn off the tool and disconnect the power supply. Place the water tank drain hole over a container large enough to hold the water. Pull out the drain plug and drain the water. Do not allow water to splash onto the ground or around machine. Discard waste water in accordance with local regulations. Clean the water tank after each use to avoid build-up.



OPERATION



WARNING: Before switching the tile saw on, make sure that you have read and understood all of the safety instructions. Make sure the power cord is disconnected from the power source and the tool is switch to OFF before assembly or making any adjustments.

PREPARING FOR OPERATION

1. Make sure that the tile saw is securely placed on a firm, level surface.
2. Check that all parts of the machine are firmly attached and all safety guards are in place.
3. Refer to “Positioning of the Tile Saw” on page 8 to arrange the power cord with enough length to create a “drip loop” to reduce the risk of electric shock (Fig. T).
4. Check that the water is filled up to the maximum water line marked on the inside of the tank.



CAUTION: Do not operate the tile saw with too little or too much water in the water tank. Keep the water level between the minimum and maximum level markings on the inside of the water tank.

OPERATING THE TILE SAW

1. Plug the power cord into the power supply.
2. To turn on the saw, push the power switch to ON (Fig. U). The machine will now start. Always allow the disc to reach full speed before performing any cutting operations. Make sure the workpiece is not contacting the disc during startup.
3. To switch off the machine, push the power switch to OFF. The disc will continue to rotate for a few seconds after the machine has been switched off. Wait for the disc to stop completely before removing the workpiece or making any adjustments.

4. After use, turn off the tool and disconnect the power supply. Place the water tank drain hole over a container large enough to hold the water. Pull out the tank drain plug and drain the water. Clean the water tank.



WARNING: Stop the machine immediately if there is excessive vibration or any other abnormal feedback (vibrations, noises, etc.). Have the machine checked by a qualified technician before operation.

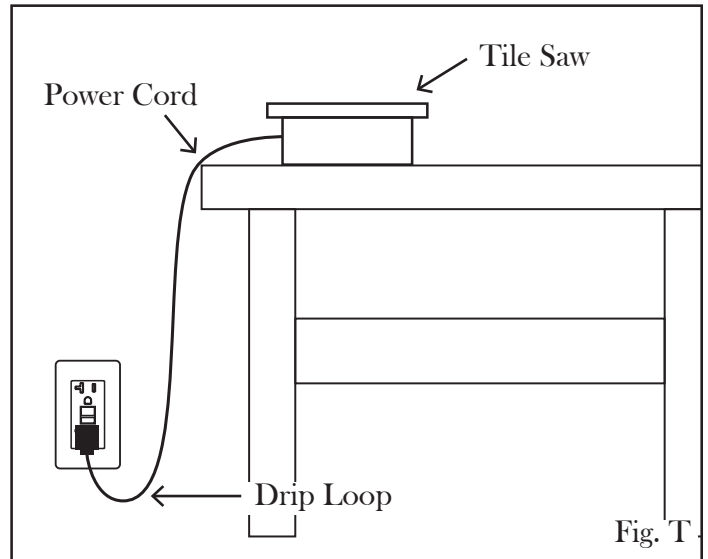


Fig. T

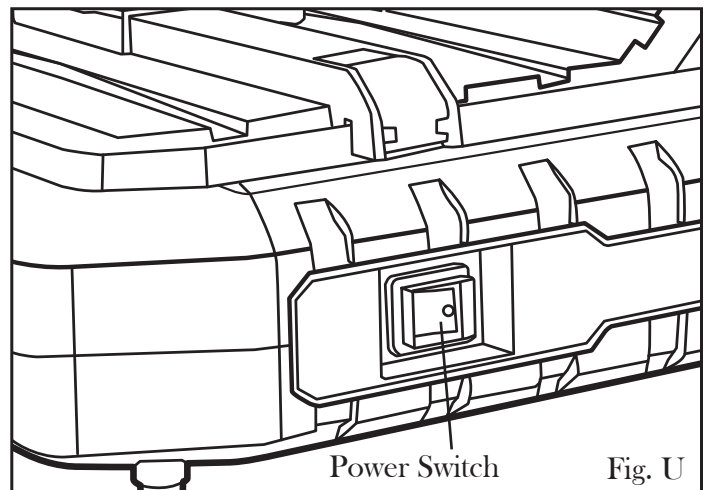


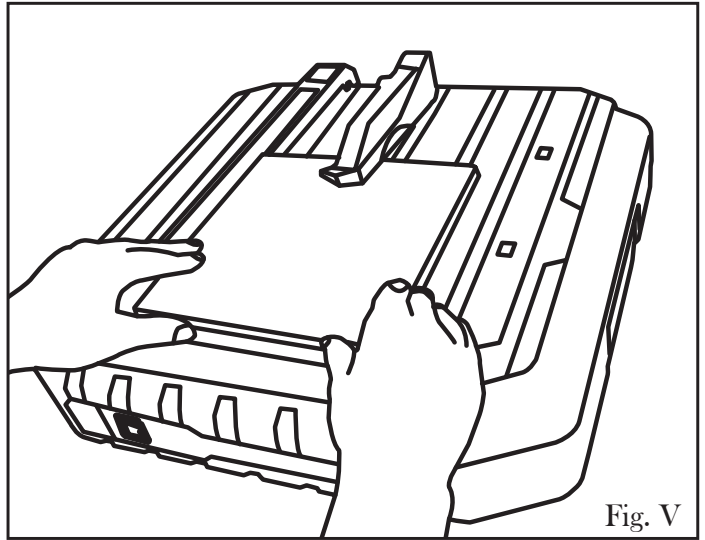
Fig. U

OPERATION

MAKING A STRAIGHT CUT (Fig. V)

Pull open the two fence lock knobs on the sides of the parallel fence. Adjust the parallel fence to the desired distance from the cutting disc. Close the fence lock knobs to tighten the parallel guide against the table.

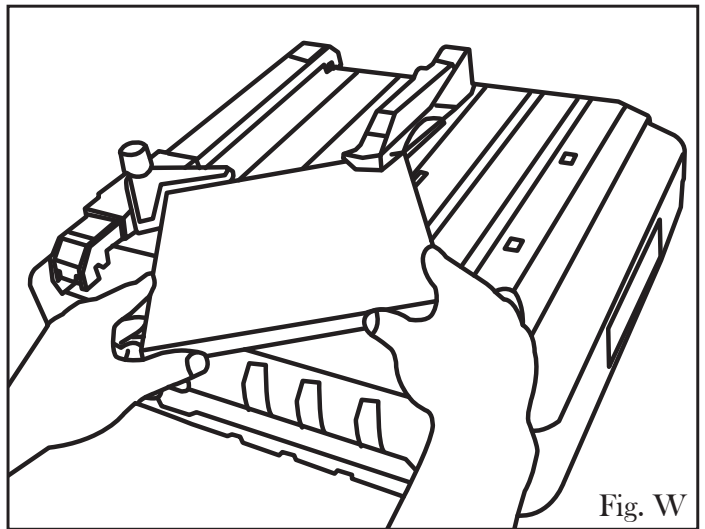
Position the tile firmly against the parallel guide and push the tile through the blade in a smooth action. Hold the edges of the tile and press down firmly to prevent the tile from lifting during the cut.



MAKING A MITER CUT (Fig. W)

Attach the miter gauge on top of the parallel fence. The miter angle can be adjusted from 0° to 45° . Loosen the miter gauge knob to adjust the gauge to the desired angle and tighten the knob.

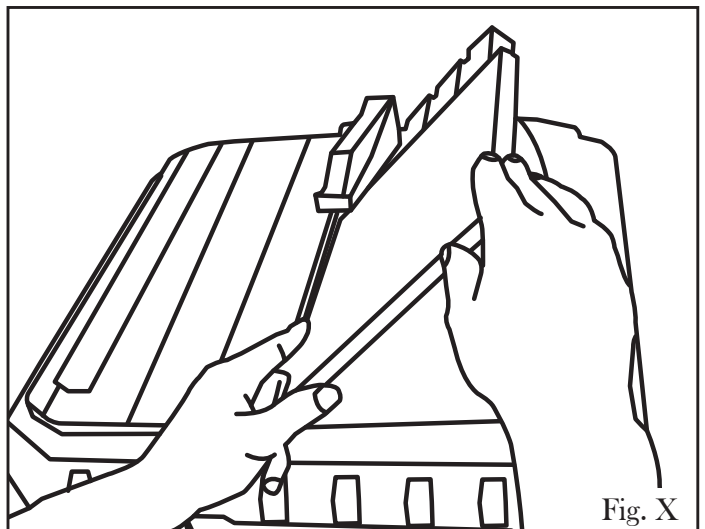
Make sure that the corner of the tile is held firmly in the guide and push the tile through the blade in a smooth action. Hold the edges of the tile and press down firmly to prevent the tile from lifting during the cut.



MAKING A BEVEL CUT (FIG. X)

Use the 45° bevel table to make a bevel cut on the tile's edge. Lift the 45° bevel table, bring up the table support and locate the tabs into the corresponding holes in the bottom of the bevel table. Ensure that the table is fully secured onto the support.

Lay the workpiece firmly on the bevel table and make the bevel cut using the same procedure as creating a straight cut. Internal or external bevel cuts can be made by turning the tile face up or face down.



MAINTENANCE



WARNING: To prevent serious injury from accidental operation, make sure that the saw is turned off and unplugged from power source before installation, cleaning and maintenance operations.

1. After every use, empty the water from the water tank and clean the water tank.
2. Clean the dust off the surfaces of the tool with a clean cloth or soft brush. Do not use alcohol, petrol or other similar cleaning agents. Regularly check the tool and remove accumulated dust. Wear safety goggles to protect your eyes while cleaning.



WARNING: Do not at any time let brake fluids, gasoline, petroleum based products, penetrating oils, etc., come in contact with plastic parts. Chemicals can damage, weaken or destroy plastic parts which could result in serious personal injury.

3. Keep discs in good condition. Worn discs or discs in poor condition should be replaced before operation.
4. Apart from installing and replacing the diamond discs, there are no other user serviceable parts inside this tile saw. Refer to qualified service technician if internal maintenance is required. Any worn, or damaged parts should be replaced immediately by a qualified service technician.

TROUBLESHOOTING GUIDE

Problem	Possible Cause	Solution
Tool will not start	<ol style="list-style-type: none"> 1. No power 2. Internal damage or wear (e.g. carbon brushes or switch) 	<ol style="list-style-type: none"> 1. Check power cord, power plug, power outlet and fuse. Any damage in the power supply should be service only by a qualified technician. 2. Have a qualified technician service the tool.
Motor runs, but cutting disc remains still when subject to load	Blade flange nut is loose	Check that the flange is seated correctly on both sides of the blade and tighten if necessary.
Excessive vibration	<ol style="list-style-type: none"> 1. Cutting disc warped or unbalanced 2. Cutting disc fitted incorrectly 	<ol style="list-style-type: none"> 1. Replace the cutting disc. 2. Fit the cutting disc correctly according to "Installing the Diamond Disc And Metal Bracket" on page 9.
Cutting disc is discolored	<ol style="list-style-type: none"> 1. Insufficient cooling water 2. Lateral friction caused by cut runoff 	<ol style="list-style-type: none"> 1. Fill the water tank with water up to the maximum fill line. 2. Guide the workpiece through the cutting disc more slowly.

LIMITED TWO YEAR WARRANTY

WEN Products is committed to build tools that are dependable for years. Our warranties are consistent with this commitment and our dedication to quality.

LIMITED WARRANTY OF WEN CONSUMER POWER TOOLS PRODUCTS FOR HOME USE
GREAT LAKES TECHNOLOGIES, LLC (“Seller”) warrants to the original purchaser only, that all WEN consumer power tools will be free from defects in material or workmanship for a period of two (2) years from date of purchase. Ninety days for all WEN products, if the tool is used for professional use.

SELLER’S SOLE OBLIGATION AND YOUR EXCLUSIVE REMEDY under this Limited Warranty and, to the extent permitted by law, any warranty or condition implied by law, shall be the repair or replacement of parts, without charge, which are defective in material or workmanship and which have not been misused, carelessly handled, or misrepaired by persons other than Seller or Authorized Service Center. To make a claim under this Limited Warranty, you must make sure to keep a copy of your proof of purchase that clearly defines the Date of Purchase (month and year) and the Place of Purchase. Place of purchase must be a direct vendor of Great Lakes Technologies, LLC. Third party vendors such as garage sales, pawn shops, resale shops, or any other secondhand merchant void the warranty included with this product. Contact techsupport@wenproducts.com or 1-800-232-1195 M-F 8-5 CST to make arrangements for repairs and transportation.

When returning a product for warranty service, the shipping charges must be prepaid by the purchaser. The product must be shipped in its original container (or an equivalent), properly packed to withstand the hazards of shipment. The product must be fully insured with a copy of the warranty card and/or the proof of purchase enclosed. There must also be a description of the problem in order to help our repairs department diagnose and fix the issue. Repairs will be made and the product will be returned and shipped back to the purchaser at no charge.

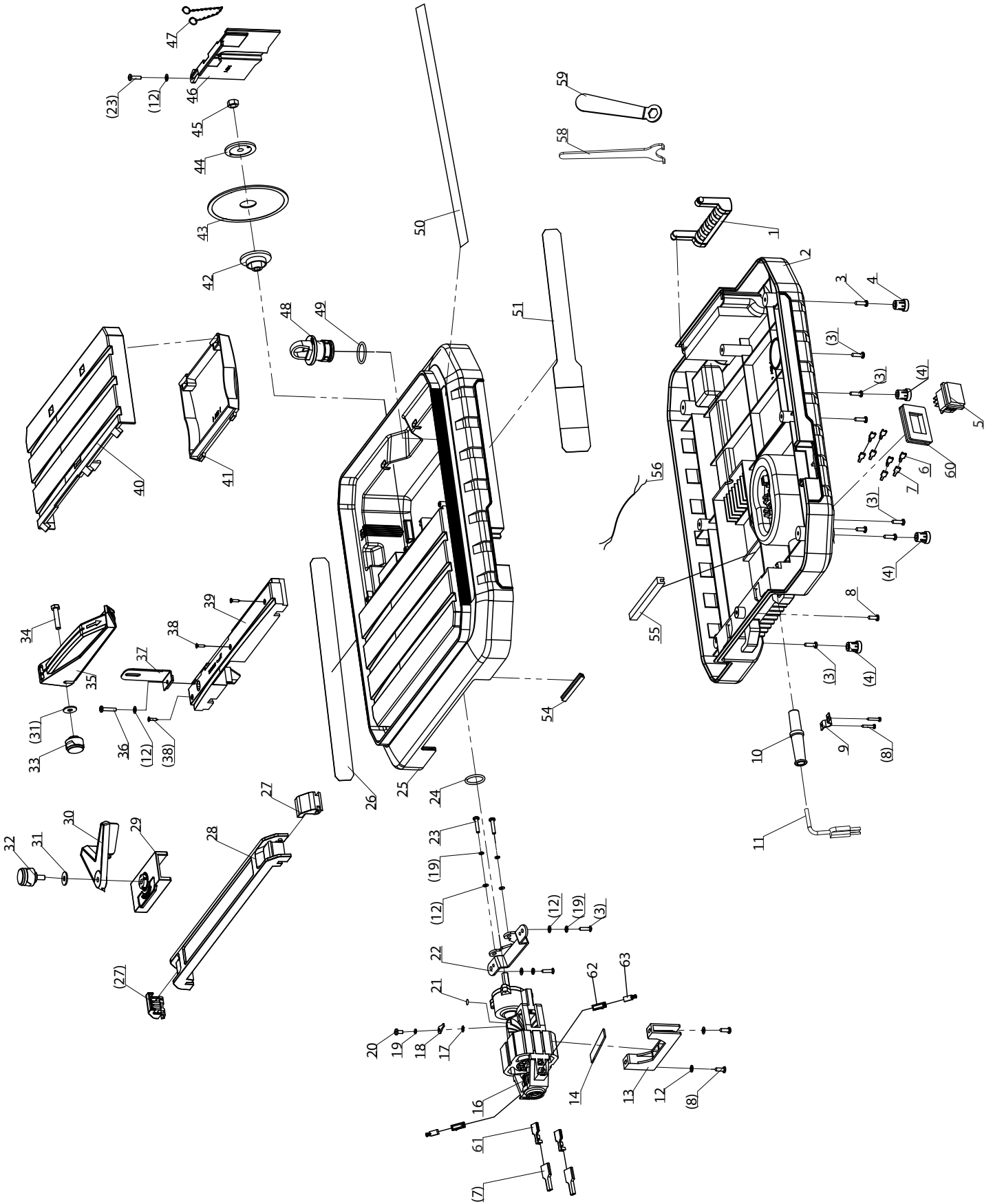
THIS LIMITED WARRANTY DOES NOT APPLY TO ACCESSORY ITEMS THAT WEAR OUT FROM REGULAR USAGE OVER TIME INCLUDING BELTS, BRUSHES, BLADES, ETC.
ANY IMPLIED WARRANTIES SHALL BE LIMITED IN DURATION TO ONE (1) YEAR FROM DATE OF PURCHASE. SOME STATES IN THE U.S., SOME CANADIAN PROVINCES DO NOT ALLOW LIMITATIONS ON HOW LONG AN IMPLIED WARRANTY LASTS, SO THE ABOVE LIMITATION MAY NOT APPLY TO YOU.

IN NO EVENT SHALL SELLER BE LIABLE FOR ANY INCIDENTAL OR CONSEQUENTIAL DAMAGES (INCLUDING BUT NOT LIMITED TO LIABILITY FOR LOSS OF PROFITS) ARISING FROM THE SALE OR USE OF THIS PRODUCT. SOME STATES IN THE U.S. AND SOME CANADIAN PROVINCES DO NOT ALLOW THE EXCLUSION OR LIMITATION OF INCIDENTAL OR CONSEQUENTIAL DAMAGES, SO THE ABOVE LIMITATION OR EXCLUSION MAY NOT APPLY TO YOU.

THIS LIMITED WARRANTY GIVES YOU SPECIFIC LEGAL RIGHTS, AND YOU MAY ALSO HAVE OTHER RIGHTS WHICH VARY FROM STATE TO STATE IN THE U.S., PROVINCE TO PROVINCE IN CANADA AND FROM COUNTRY TO COUNTRY.

THIS LIMITED WARRANTY APPLIES ONLY TO PORTABLE ELECTRIC TOOLS, BENCH POWER TOOLS, OUTDOOR POWER EQUIPMENT AND PNEUMATIC TOOLS SOLD WITHIN THE UNITED STATES OF AMERICA, CANADA AND THE COMMONWEALTH OF PUERTO RICO. FOR WARRANTY COVERAGE WITHIN OTHER COUNTRIES, CONTACT THE WEN CUSTOMER SUPPORT LINE.

EXPLODED VIEW AND PARTS LIST



EXPLODED VIEW AND PARTS LIST

No.	Part No.	Description	Qty.
1	71745-001	Carrying Handle	1
2	71745-002	Base	1
3	71745-003	Cross Head Self-Tapping Screw ST4.2X16	8
4	71745-004	Rubber Foot	4
5	71745-005	Power Switch	1
6	71745-006	Terminal	4
7	71745-007	Terminal Tube	6
8	71745-008	Cross Head Self-Tapping Screw ST4.2X13	5
9	71745-009	Wire Storage	1
10	71745-010	Power Cord Sleeve	1
11	71745-011	Power Cord Three-Prong	1
12	71745-012	Flat Washer D4	8
13	71745-013	Motor Plate	1
14	71745-014	Rubber Insert A	1
16	71745-016	Motor	1
17	71745-017	Star Washer D4	1
18	71745-018	Grounding Pin	1
19	71745-019	Spring Washer D4	5
20	71745-020	Cross Head Screw M4X8	1
21	71745-021	Ground Label	1
22	71745-022	Motor Bracket	1
23	71745-023	Cross Head Screw M4X12	3
24	71745-024	O Ring Ø22.4X2.65	1
25	71745-025	Table Top	1
26	71745-026	Label	1
27	71745-027	Fence Lock Knob	2
28	71745-028	Parallel Fence	1
29	71745-029	Miter Gauge A	1
30	71745-030	Miter Gauge B	1
31	71745-031	Flat Washer D6	2

No.	Part No.	Description	Qty.
32	71745-032	Miter Gauge Knob	1
33	71745-033	Upper Guard Knob	1
34	71745-034	Upper Guard Bolt	1
35	71745-035	Upper Blade Guard	1
36	71745-036	Cross Hand Screw M4X20	1
37	71745-037	Metal Bracket	1
38	71745-038	Cross Head Sunk Screw ST2.9X16	3
39	71745-039	Table Insert	1
40	71745-040	45° Bevel Table	1
41	71745-041	Stop Plate	1
42	71745-042	Inner Flange	1
43	71745B	Diamond Blade (mm) Ø115×Ø15.88×1.2×2.1	1
44	71745-044	Outer Flange	1
45	71745-045	Nut M8	1
46	71745-046	Lower Blade Guard	1
47	71745-047	Chain	1
48	71745-048	Tank Drain Plug	1
49	71745-049	O Ring Ø 23.6×2.65	1
50	71745-050	Scale Label	1
51	71745-051	Main Label	1
54	71745-054	Rubber Insert B	1
55	71745-055	Insert Pad	1
56	71745-056	Flat Wire 2X18AWG	1
58	71745-058	Wrench A	1
59	71745-059	Wrench B	1
60	71745-060	Switch Plate	1
61	71745-061	Terminal	2
62	71745-062	Brush Holder	2
63	71745-063	Carbon Brush	2

**THANKS FOR
REMEMBERING**

