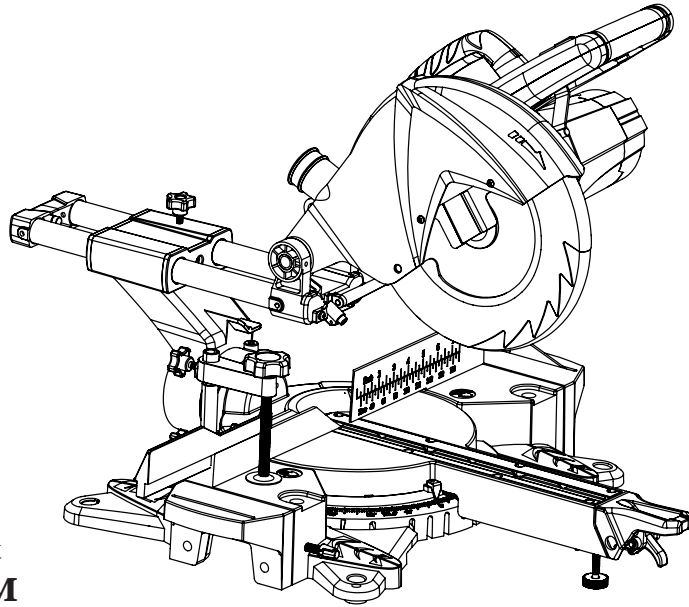




10" DUAL SPEED SLIDING COMPOUND MITER SAW



LISTED
E493385

For replacement parts visit
WENPRODUCTS.COM

Model # 70730
bit.ly/wenvideo


IMPORTANT:

Your new tool has been engineered and manufactured to WEN's highest standards for dependability, ease of operation, and operator safety. When properly cared for, this product will supply you years of rugged, trouble-free performance. Pay close attention to the rules for safe operation, warnings, and cautions. If you use your tool properly and for intended purpose, you will enjoy years of safe, reliable service.



NEED HELP? CONTACT US!

Have product questions? Need technical support?
Please feel free to contact us at:

 **800-232-1195** (M-F 8AM-5PM CST)

 techsupport@wenproducts.com

 **WENPRODUCTS.COM**

TABLE OF CONTENTS

Technical Data	2
Introduction	3
General Safety Rules	4
Specific Rules For the Miter Saw	6
Electrical Information	9
Unpacking and Transporting	10
Know your Miter Saw	10
Assembly and Adjustments	12
Operation	19
Maintenance	22
Exploded View & Parts List	23
Warranty	26

TECHNICAL DATA

Model Number:	70730
Motor:	120 V, 60 Hz, 15A
No-Load Speed:	Speed 1: 2000 RPM Speed 2: 4500 RPM
Blade Model Number:	70730-002
Blade Size:	10" TCT Multi-Purpose Blade
Arbor Size:	5/8 in. Arbor
Number of Teeth:	48 Teeth
Miter Table Angles:	0° to 45° Left & Right
Bevel Cut Angles:	0° to 45° Left Only
Cutting Capacity:	
0° Miter, 0° Bevel:	12 by 3-1/2 in.
45° Miter, 0° Bevel:	8-1/2 by 3-1/2 in.
0° Miter, 45° Bevel:	12 by 1-7/8 in.
45° Miter, 45° Bevel:	8-1/2 by 1-7/8 in.
Weight:	35 lbs
Includes:	10" Multipurpose Carbide-Tipped Blade (Installed) x1 Clamp Assembly x1 Workpiece Support x2 Dust Collection Bag x1 Allen Wrench x1 LR44 Battery x3

INTRODUCTION

Thanks for purchasing the WEN Miter Saw. This is an exciting moment. You have received your new tool, opened the box, and are now about to read through the instruction manual. This manual contains special messages to bring attention to potential safety concerns, as well as helpful assembly and operating information. Please read all the information carefully before the assembly and operation of your miter saw in order to help avoid injury to yourself and damage to the machine. Please keep this manual available to all users during the entire life of the miter saw.



QUESTIONS? PROBLEMS?

In order to answer questions and solve problems in the most efficient and speedy manner, please contact our Customer Service at (800) 232-1195, M-F 8-5 CST.

Read and observe all warnings, cautions, and instructions in this manual before the assembly and operation of this miter saw. Failure to follow instructions and safety information could result in serious injury.

NOTE: The following safety information is not meant to cover all possible conditions and situations that may occur. WEN reserves the right to change this product and specifications at any time without prior notice.

GENERAL SAFETY RULES

Safety is a combination of common sense, staying alert and knowing how your item works.

SAVE THESE SAFETY INSTRUCTIONS.



WARNING! Read all safety warnings and all instructions. Failure to follow the warnings and instructions may result in electric shock, fire and serious injury. To avoid mistakes and serious injury, do not plug in your tool until the following steps have been read and understood.

WORK AREA SAFETY

1. **DON'T USE IN DANGEROUS ENVIRONMENT.** Don't use power tools in damp or wet locations, or expose them to rain. Keep work area well lighted.
2. **KEEP WORK AREA CLEAN.** Cluttered areas and benches invite accidents. Keep the ground clear of tripping hazard. Do not work on floor surfaces that are slippery with sawdust or wax.
3. **DO NOT OPERATE POWER TOOLS IN EXPLOSIVE ATMOSPHERES,** such as in the presence of flammable liquids, gases or dust. Power tools create sparks which may ignite the dust or fumes.
4. **KEEP BYSTANDERS AT A SAFE DISTANCE** from the work area. Never allow children or pets near the tool.
5. **MAKE WORKSHOP KID PROOF** with padlocks, master switches, or by removing starter keys.

ELECTRICAL SAFETY

1. **DO NOT EXPOSE POWER TOOLS TO RAIN OR WET CONDITIONS.** Water entering a power tool will increase the risk of electric shock.
2. **POWER TOOL PLUGS MUST MATCH THE OUTLET.** Never modify the plug in any way. Modified plugs with non-matching outlets will increase the risk of electric shock.
3. **CHECK ALL POWER SUPPLIES PERIODICALLY.** Do not use defective cords. Damaged or entangled cords increase the risk of electric shock.
4. **DO NOT ABUSE THE CORD.** Never use the cord for carrying, pulling or unplugging the power tool. Keep cord away from heat, oil, sharp edges or moving parts.

PERSONAL SAFETY

1. **STAY ALERT.** Watch what you are doing and use common sense when operating a power tool. Do not use a power tool while you are tired or under the influence of drugs, alcohol or medication. A moment of inattention while operating power tools may result in serious personal injury.
2. **WEAR PROPER APPAREL.** Do not wear loose clothing, gloves, neckties, rings, bracelets, or other jewelry which may get caught in moving parts. Always wear non-slip footwear and tie back long hair.
3. **USE PERSONAL PROTECTIVE EQUIPMENT.** Always wear safety goggles at all times that comply with ANSI Z87.1. Use ear protection such as plugs or muffs during extended periods of operation. Wear work gloves to protect your hands. Wear a face mask or dust mask to fight the dust.
4. **DO NOT OVERREACH.** Keep proper footing and balance at all times.

GENERAL SAFETY RULES



WARNING: Dust generated from certain materials can be hazardous to your health. Always operate the tool in a well-ventilated area and wear dust mask. Use dust collection systems when processing wood and plastics. Dust extractors or dust bags must not be connected when processing metals.

POWER TOOL USE AND CARE

1. **REDUCE THE RISK OF UNINTENTIONAL STARTING.** Make sure the power switch is in the OFF position before connecting the plug to a power source or carrying the tool.
2. **CHECK POWER TOOL FOR DAMAGED PARTS.** Before further use of the tool, a guard or other part that is damaged should be carefully checked to determine that it will operate properly and perform its intended function. Check for alignment of moving parts, binding of moving parts, breakage of parts, mounting, and any other conditions that may affect its operation. Do not use the power tool if the switch does not turn ON/OFF. Any part that is damaged should be properly repaired or replaced before use.
3. **USE THE RIGHT TOOL.** Don't force tool or attachment to do a job for which it was not designed. Use the correct power tool and accessories and follow the instructions for your application to prevent hazardous situations.
4. **DO NOT FORCE THE TOOL.** It will do the job better and safer at the rate for which it was designed.
5. **REMOVE ADJUSTING KEYS AND WRENCHES.** Form habit of checking to see that keys and adjusting wrenches are removed from tool before turning it on.
6. **KEEP GUARDS IN PLACE** and in working order before operating the tool.
7. **NEVER LEAVE TOOL RUNNING UNATTENDED. TURN POWER OFF.** Don't leave tool until it comes to a complete stop.
8. **SECURE WORK.** Use clamps or a vise to hold work when practical. It's safer than using your hand and it frees both hands to operate tool.
9. **USE RECOMMENDED ACCESSORIES.** Consult the owner's manual for recommended accessories. The use of improper accessories may cause risk of injury to persons.
10. **NEVER STAND ON TOOL.** Serious injury could occur if the tool is tipped or if the cutting tool is unintentionally contacted.
11. **DIRECTION OF FEED.** Feed work into a blade or cutter against the direction of rotation of the blade or cutter only.

POWER TOOL MAINTENANCE

1. Always disconnect the power cord plug from the electrical outlet when making adjustments, changing parts, or storing power tools. Such preventive safety measures reduce the risk of starting the power tool accidentally.
2. **MAINTAIN TOOLS WITH CARE.** Safely store power tools out of the reach of children. Keep tools sharp and clean for best and safest performance. Follow instructions for lubricating and changing accessories.
3. Only have your power tool serviced by a qualified repair person using only identical replacement parts. Use of any other part can cause personal injury and damage to the tool.

SPECIFIC RULES FOR THE MITER SAW



WARNING: Be sure to read and understand all the specific rules for your miter saw before attempting to assemble or operate your miter saw.

SAW BLADE SAFETY

1. Always wear protective gloves when handling saw blades.
2. Only use a saw blade suitable for both your miter saw and your workpiece.
 - The rated diameter of the saw blade is 10 in. with 5/8 in. arbor.
 - The no-load speed of the miter saw is 2000 RPM at low speed and 4500 RPM at high speed. The maximum permissible speed of your saw blade should always be higher than the no-load rotational speed of the saw.
3. Never use damaged or deformed saw blades. Only use sharp blades.
4. Install the saw blade in the correct direction indicated in the instruction (see “Changing the Saw Blade”).
5. Keep hands out of path of saw blade. Never use your hands to remove sawdust, chips or workpiece near the saw blade or the cutting path of the saw.
6. Never reach around saw blade or reach in back of the saw blade.

PERSONAL SAFETY

1. Operate in a well ventilated area. Keep the floor area around the miter saw level and free of slippery substances or other tripping hazards.
2. Wear ANSI-approved safety goggles to protect your eyes from sparks and saw dust. Use hearing protection to protect yourself from hearing loss.
3. Sawdust is harmful to your health. Use dust masks or other respiratory protection during operation and cleaning.
4. Wear work gloves when handling saw blades and during cutting operations, especially when cutting metal. Sparks and metal chips may be generated.
5. Do not wear loose clothing or jewelry (rings, watches, etc.) when operating the miter saw. Inappropriate clothing and items can get caught in moving parts and draw you in. Always wear non-slip footwear and tie back long hair.
6. Always turn off and unplug the miter saw before making any adjustments or repair tasks. Never adjust the miter saw or the workpiece while the saw the running.

PREPARING THE MITER SAW

1. When transporting the miter saw, carry it by either the carrying handle or the base. Never carry the device by its guards or its accessories. Make sure that the lower part of the saw blade is covered by the blade guard during transportation.
2. Securely bolt the miter saw onto a miter saw stand or a workbench before operating.
3. Examine the miter saw for any damaged or missing parts. Replace or repair damaged parts before operation. Periodically check that all nuts, bolts and other fasteners are properly tightened.

SPECIFIC RULES FOR THE MITER SAW

SECURE YOUR WORKPIECE

1. Always position the workpiece on the miter table and firmly against the fence. Never perform any operation freehand.
2. Use a clamp or other securing methods to support the workpiece whenever possible.
3. When cutting round workpieces, use clamps on both sides of the table to prevent the workpiece from turning. Position the convex (curved) side against the fence.
4. Always support long workpieces properly using stands or roller tables.
5. Never hand hold a workpiece that is too small to be clamped, as it can be launched away and cause injury. Use proper support and guides to secure the small workpiece.

DURING CUTTING OPERATION

1. Make sure the path of the saw blade is clear of obstruction. Before turning on the miter saw, do a dry run and make sure that the saw blade does not touch anything other than the workpiece during its entire line of travel.
2. Always stand to one side when operating the saw. Never have any part of the body in line with the path of the saw. Never cross your arms when using a miter saw.
3. Do not use the miter saw unless all guards are in place.
4. Never perform any operation freehand. Always position the workpiece on the miter table and firmly against the fence.
5. Turn on the miter saw and let it reach full speed, then slowly lower the saw into the workpiece. This will help produce safer and cleaner cuts.
6. During slide cutting, always push the saw blade away from you. Do not pull the saw towards you.
7. Never cut more than one piece at a time. Do not stack workpieces together.
8. Release the switch and allow the saw blade to stop rotating before raising the blade out of the workpiece.
9. Do not slow or stop a blade with a piece of wood. Let the blade come to rest naturally. Do not attempt to free a jammed blade while the machine is still running.

IMPORTANT RULES FOR CUTTING METAL

NOTE: This miter saw is designed for woodworking and occasional metal cutting. For constant metal cutting operations please use a chop saw or a metal band saw. Excessive metal cutting can dull the saw blade very quickly and damage the miter saw. Never operate this saw with a dull blade.

1. Only use saw blades specific for metal cutting or for handling multipurpose operations.

(Continued in next page)

SPECIFIC RULES FOR THE MITER SAW

(Continued)

2. The following metals are recommended for cutting: aluminum, mild steel, bronze alloy and copper alloy. It is not recommended to cut pure copper.

DANGER: Do not cut magnesium or magnesium alloys. Serious accident and even death could occur.

3. **WARNING:** Do not use dust bag or dust collection when cutting metal. Risk of fire and explosion can occur due to hot metal dust or flying sparks.

4. Wear work gloves and safety goggles to protect your eyes and hands from sparks and metal dusts.

5. When cutting metal, the work piece must be clamped firmly. Any movement or vibration of the workpiece during cutting may damage the saw blade.

6. Initial contact of the saw blade with the metal workpiece must be slow and gentle. Apply constant force to feed the blade into the workpiece.

LASER SAFETY

ATTENTION: LASER RADIATION. Class 2 laser. **DO NOT STARE INTO THE BEAM**



1. Do not look directly into the laser beam with unprotected eyes. Never look into the path of the beam.

2. Never point the laser beam towards reflecting surfaces. Never point the laser towards people or animals. Even a laser beam with a low output can cause damage to the eyes.

3. Remove the laser batteries before storing the miter saw for an extended period of time.

4. Never open the laser module as unexpected exposure to the beam can occur. The laser cannot be replaced with a different type of laser.

5. Repairs of the laser may only be carried out by the laser manufacturer or an authorised representative.

BATTERY SAFETY

1. Do not short-circuit batteries. Keep the batteries away from metal objects when not in use.

2. Do not charge non-rechargeable batteries.

3. Do not mix old and new batteries or batteries of different types. Replace an entire set of batteries at the same time.

4. Do not keep batteries near fire, ovens or other sources of heat. Do not use batteries in direct sunlight.

5. Remove batteries from the equipment when it will not be used for an extended period of time.

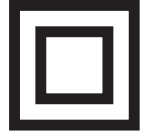
6. Never handle batteries that have leaked without appropriate protection. If the leaked fluid comes into contact with your skin, the skin in this area should be rinsed off under running water immediately. Always prevent the fluid from coming into contact with the eyes and mouth. In the event of contact, please seek immediate medical attention.

7. Do not dismantle batteries. Dispose of used batteries properly at your local collection/recycling facility.

ELECTRICAL INFORMATION

FOR ALL DOUBLE-INSULATED TOOLS

Double insulation is a concept in safety in electric power tools, which eliminates the need for the usual three-wire grounded power cord. All exposed metal parts are isolated from the internal metal motor components with protecting insulation. Double insulated tools do not need to be grounded.



WARNING: The double insulated system is intended to protect the user from electric shock resulting from a break in the tool's internal insulation. Observe all normal safety precautions to avoid electrical shock.

1. REPLACEMENT PARTS

When servicing use only identical replacement parts.

NOTE: Servicing of a product with double insulation requires extreme care and knowledge of the system and should be performed only by a qualified service technician. For service, we suggest bringing the product to you nearest authorized service center for repair. Always use original factory replacement parts when servicing.

2. POLARIZED PLUGS

To reduce the risk of electric shock, this equipment has a polarized plug (one blade is wider than the other). This plug will fit in a polarized outlet only one way. If the plug does not fit fully in the outlet, reverse the plug. If it still does not fit, contact a qualified electrician to install the proper outlet. Do not change the plug in any way.

GUIDELINES FOR USING EXTENSION CORDS

1. Make sure your extension cord is properly wired and in good condition. Always replace a damaged extension cord or have it repaired by a qualified person before using it.

2. Protect your extension cords from sharp objects, excessive heat and damp/wet areas.

3. When using an extension cord, be sure to use one heavy enough to carry the current your product will draw. An undersized cord will cause a drop in line voltage resulting in loss of power and overheating. The table below shows the correct size to be used according to cord length and nameplate ampere rating. When in doubt, use a heavier cord. The smaller the gauge number, the heavier the cord.

AMPERAGE	REQUIRED GAUGE FOR EXTENSION CORDS			
	25 ft.	50 ft.	100 ft.	150 ft.
15 A	14 gauge	12 gauge	Not Recommended by UL	

Use a separate electrical circuit for your tools. This circuit must not be less than a #12 wire and should be protected with a 15 A time-delayed fuse. Before connecting the tool to the power line, make sure the switch is in the OFF position and the electric current is rated the same as the current stamped on the motor nameplate. Running at a lower voltage will damage the motor.

UNPACKING & TRANSPORTING

UNPACKING THE MITER SAW

Open the packaging and take out all loose parts from the box. Using the carrying handle and the slide rail, carefully lift the saw from the packaging and place it on a level work surface. Make sure all the components are accounted for before discarding the packaging. If any part is missing or broken, please contact our customer service at 1-800-232-1195.

INCLUDED ACCESSORIES:

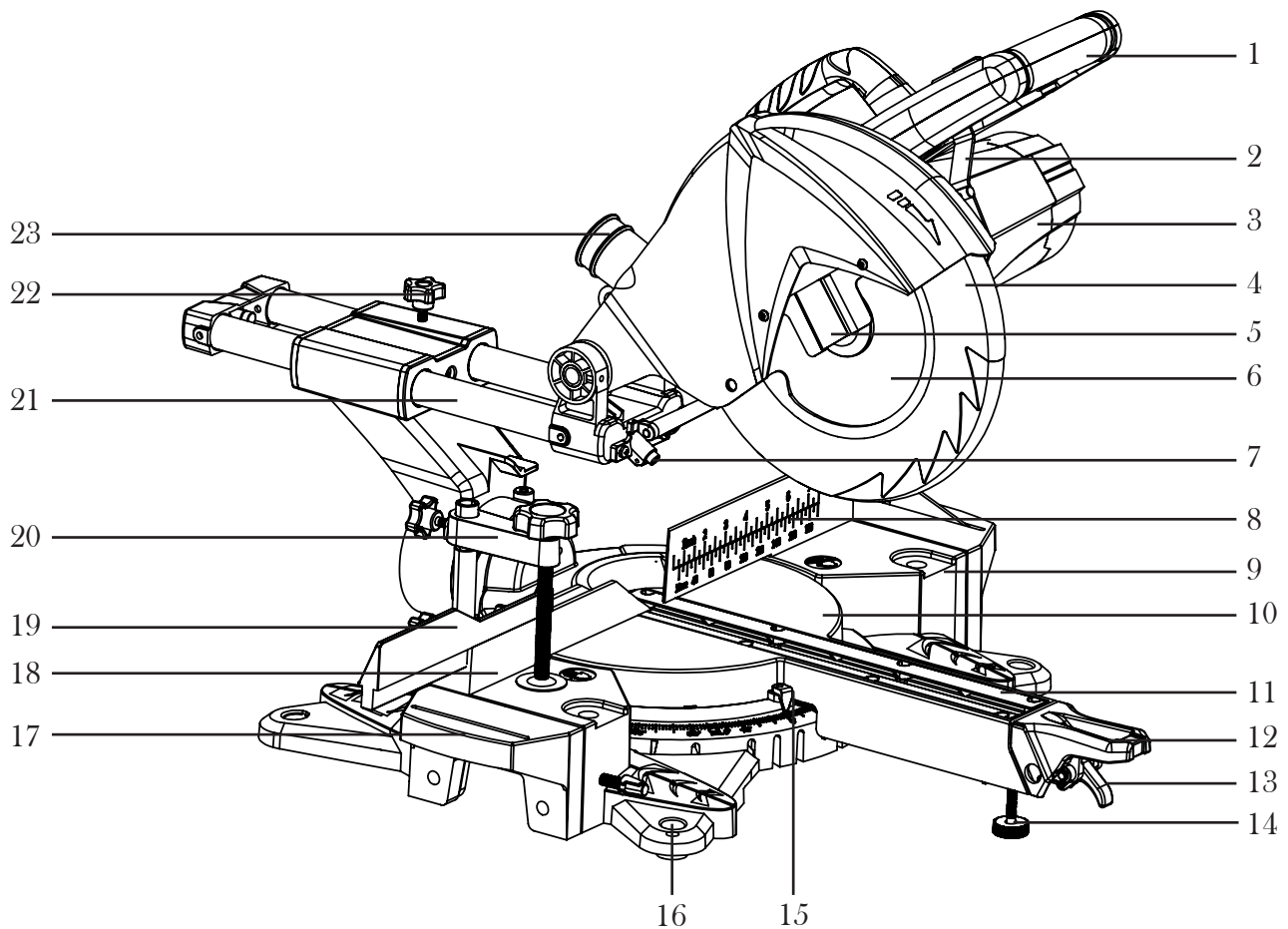
- Clamp Assembly x 1
- Workpiece Support x 2
- Dust Collection Bag x 1
- Allen Wrench x 1
- LR44 Battery x 3
- Instruction Manual x 1

TRANSPORTING THE MITER SAW

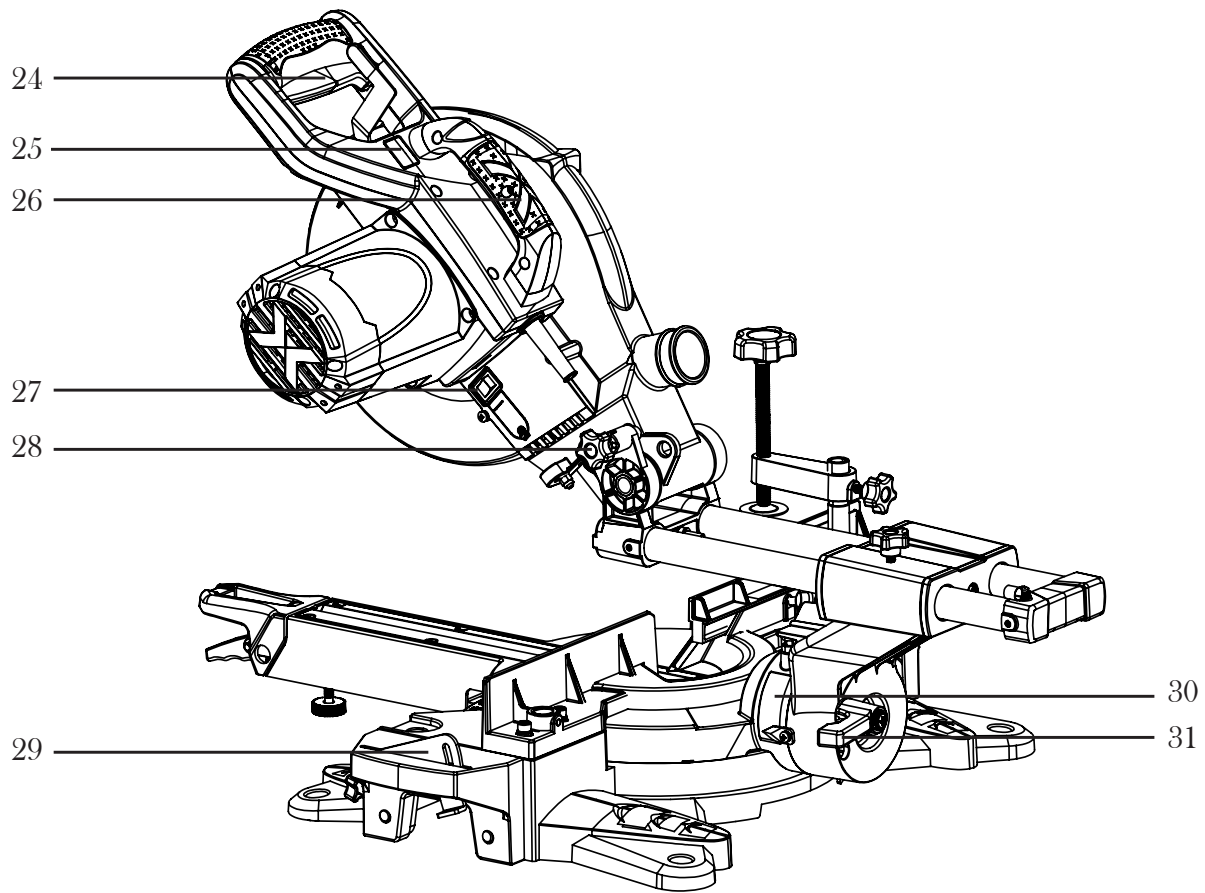
Before transporting your miter saw, make sure saw arm is locked down, the miter table is locked in position and the slide lock knob is tightened. Only lift the saw by the carrying handle located on top of the motor or by the base. Do not lift the saw using the guards or the operating handle.

KNOW YOUR MITER SAW

Please go through the list and diagram to become familiarized with all the components on your miter saw. The components will be referred to later in the manual for assembly and operation instructions.



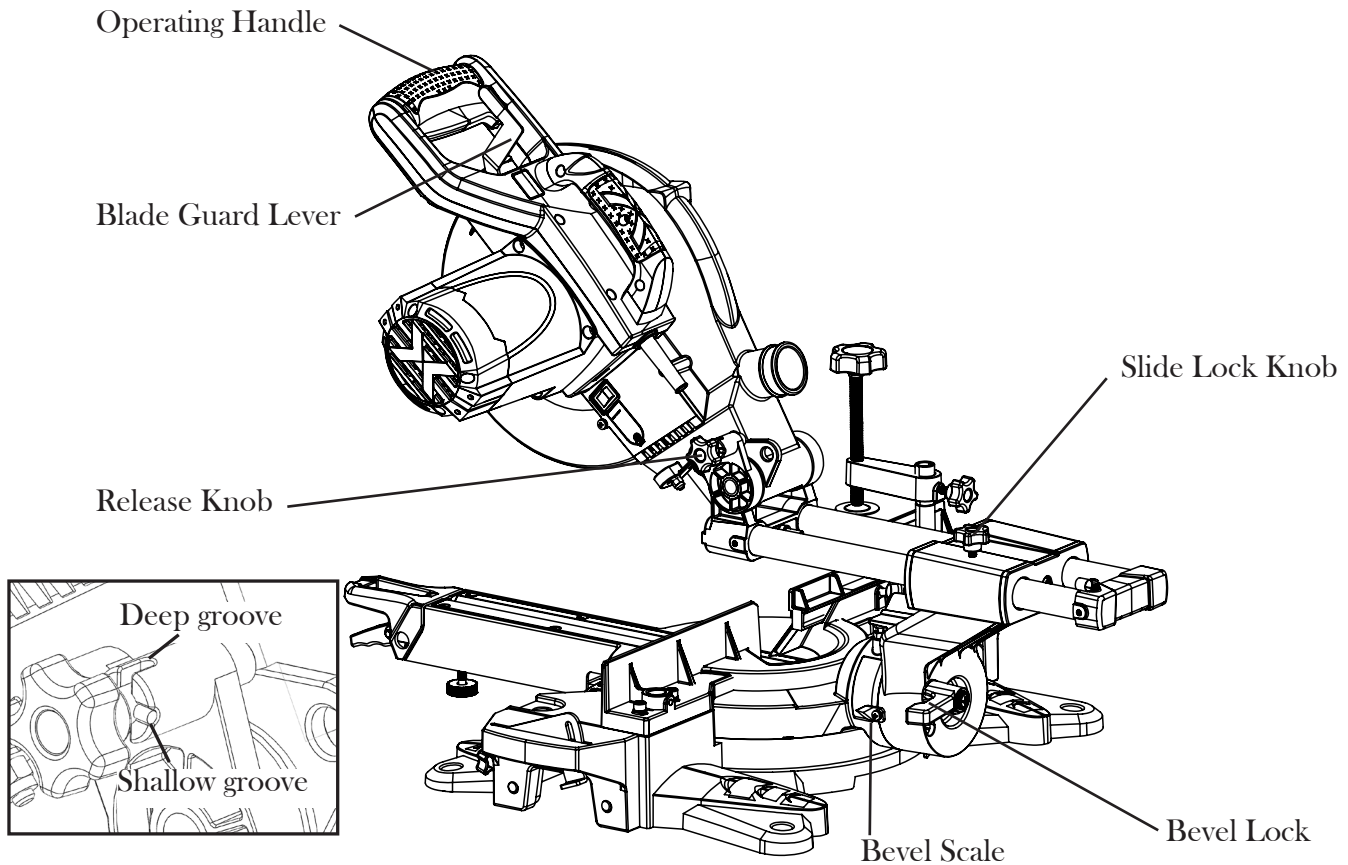
KNOW YOUR MITER SAW



- | | | | |
|----|--------------------|----|-------------------------|
| 1 | Operating Handle | 17 | Workpiece Support Table |
| 2 | Blade Guard Lever | 18 | Fixed Stop Rail |
| 3 | Motor | 19 | Movable Stop Rail |
| 4 | Blade Guard | 20 | Clamp Assembly |
| 5 | Arbor Safety Guard | 21 | Slide Bar |
| 6 | Saw Blade | 22 | Sliding Lock Knob |
| 7 | Laser | 23 | Dust Port |
| 8 | Fence | 24 | On/Off Switch |
| 9 | Stationary Table | 25 | Speed Adjustment Switch |
| 10 | Miter Table | 26 | Carrying Handle |
| 11 | Table Insert | 27 | Laser Switch |
| 12 | Miter Lock | 28 | Workpiece Support Stop |
| 13 | Miter Stop Lever | 29 | Release Knob |
| 14 | Foot | 30 | Bevel Scale |
| 15 | Miter Scale | 31 | Bevel Lock |
| 16 | Mounting Hole | | |

ASSEMBLY AND ADJUSTMENTS

Without plugging in your miter saw, read through and become familiarized with the following procedures of handling and adjusting your miter saw.



1. TO RAISE OR LOWER THE SAW ARM

The saw arm needs to be raised up before operation and locked down for transporting and storing.

To raise saw arm from the lower position:

Holding the operating handle, lightly press down on the saw arm and pull out the release knob. Slowly raise the saw arm to the upper position.

Set the release knob into the deep groove to lock it in the upper position. Set the release knob into the shallow groove to prepare for operation.

To lower saw arm from the upper position:

Holding the operating handle, push the blade guard lever and pull out the release knob.

Slowly lower the saw arm to the lower position and lock the release knob into the deep groove.

2. TO BEVEL THE SAW ARM

The saw arm can bevel from 0° to 45° to the left. Hold the operation handle and unlock the bevel lock by turning it down clockwise.

Tilt the saw arm until the pointer indicates the desired angle on the bevel scale.

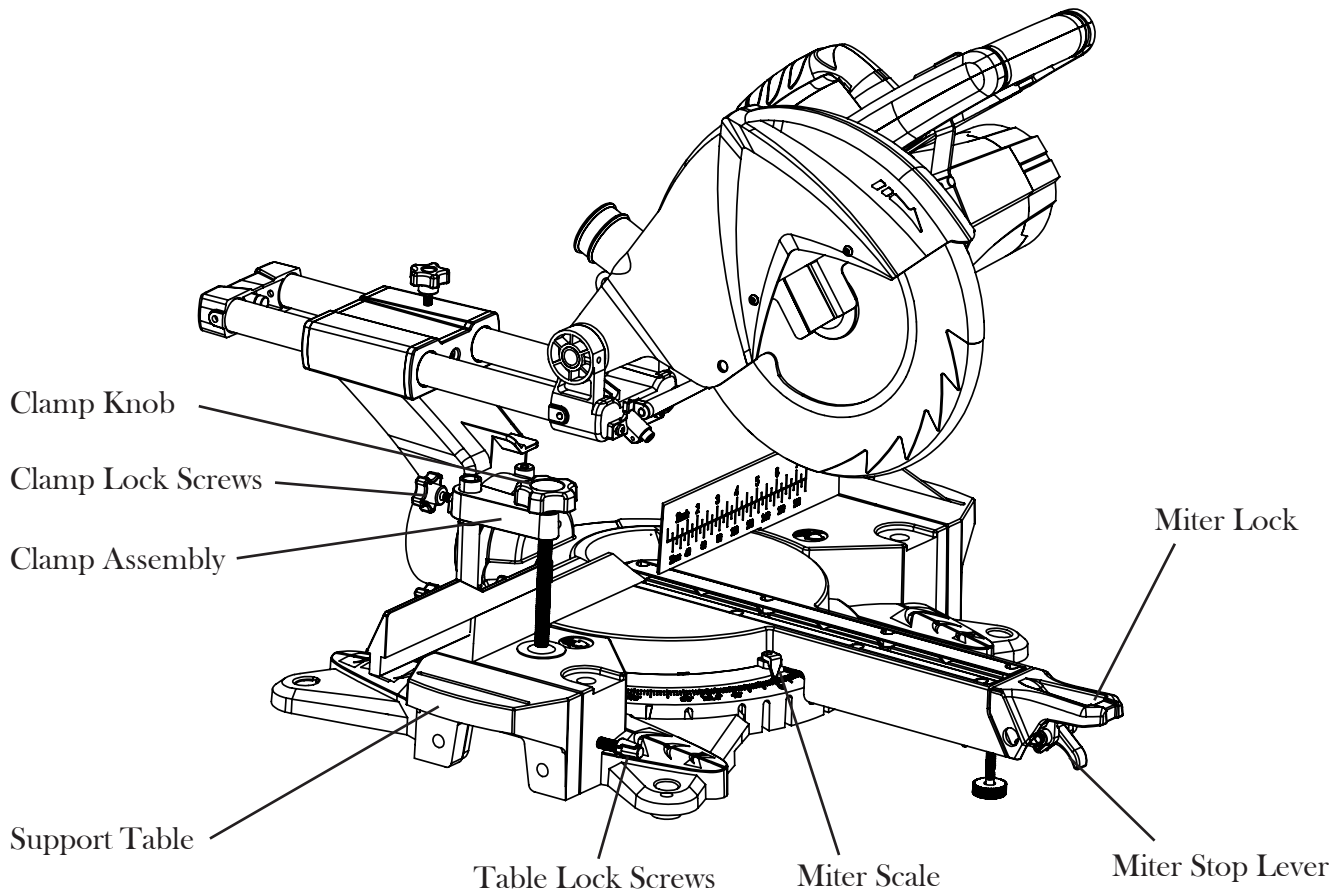
Tighten the bevel lock. Make sure the saw arm is locked in place and does not tilt.

3. TO ENGAGE/LOCK THE SLIDE BAR

The saw arm can be adjusted to extend out to different lengths using the slide bar. Loosen the slide lock knob and slide the saw arm to desired position.

Tighten the slide lock knob before transporting the miter saw and before non-sliding operations.

ASSEMBLY AND ADJUSTMENTS



4. TO ADJUST THE MITER ANGLE

The rotary table can be adjusted from 0° to 45° to both left and right to create miter cuts. To adjust the miter angle, push down the miter lock and lift up the miter stop lever.

Rotate the miter table to the desired angle indicated by the pointer on the miter scale. The rotary table features positive click stops at 0°, 15°, 22.5°, 30°, and 45° in both directions for quick settings.

Push up the miter lock to lock the miter table in place. Release the miter stop lever to lock the table in place, making sure it clicks into one of the stops.

Be sure the miter table is locked in place before making a cut. Failure to do so can cause the table to move during the cut, resulting in serious personal injury.

5. TO INSTALL THE SUPPORT TABLE

Attach the support tables by mounting them into the holes on both sides of the miter saw. Adjust the table to the suitable distance and tighten the table lock screws.

Pull up the work support stop to utilize the stop face to set your cut to the desired length.

6. TO INSTALL THE CLAMP

The clamp assembly can be mounted on the left or right side of the saw depending on the cutting task.

Attach the clamp assembly by inserting it into its respective hole. Check that the clamp won't interfere with the blade travel and secure it in place with the clamp lock screws.

Rotate the clamp knob to move it up or down as needed for securing the workpiece. Check that the workpiece is secure and will not wobble before cutting.

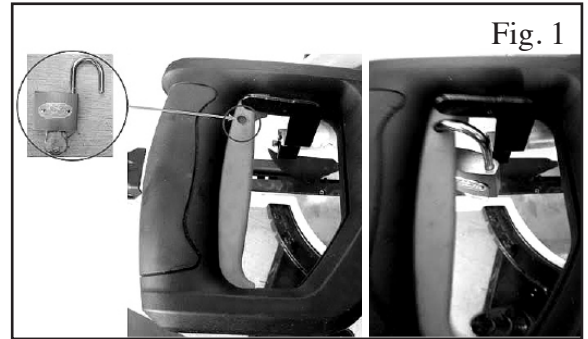
ASSEMBLY AND ADJUSTMENTS



WARNING: Remove the power plug before performing adjustments on the miter saw. Wear work gloves when handling saw blades to protect your hands from possible injuries.

SWITCH LOCK

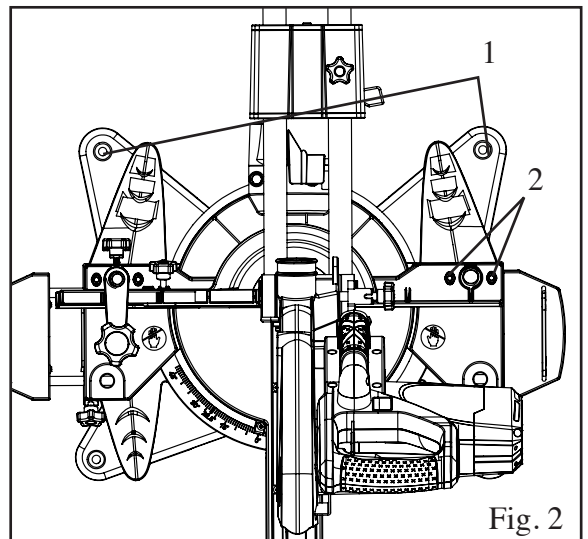
The hole on the trigger (Fig. 1) is a safety feature that enables the switch to be locked off. To lock off the switch, insert a padlock through the hole and lock the padlock. This will prevent the switch from being pressed down and reduce the risk of children accidentally starting the machine.



BENCH MOUNTING

1. The miter saw base has holes in the four corners to facilitate bench mounting (Fig. 2 - 1). Mount and fix the saw to a level, horizontal bench or worktable using four bolts and nuts (not included).

2. If desired, you can mount the saw to a piece of 1/2" or thicker plywood which can then be clamped to your work bench or moved to other job sites and reclamped.



CAUTION: Make sure that the mounting surface is not warped. Uneven surfaces can cause binding and inaccurate sawing.

SETTING THE FENCE SQUARE WITH THE BLADE

Note: The set square is not included.

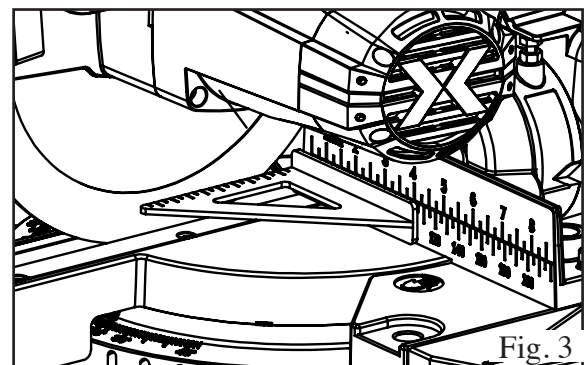
1. Lower the saw arm down to the lower position and lock the release knob.

2. Slide the saw arm to the back and tighten the slide lock knob.

3. Set the miter table to 0° and tighten the miter lock.

4. Loosen the four screws on the back of the fence (Fig. 2 - 2) with an allen wrench.

5. Place a set square against the fence and alongside the saw blade (Fig. 3). Adjust the fence position until it is 90° with the blade.



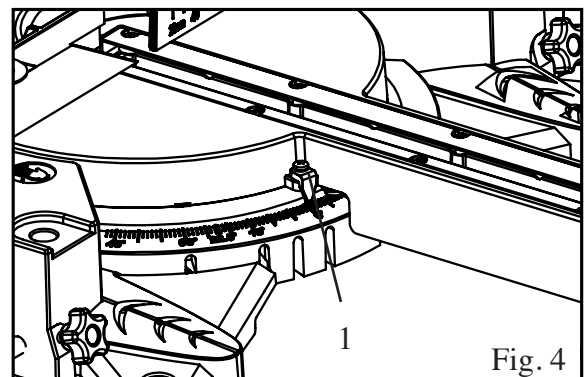
6. Tighten the four screws to secure the fence.

SETTING THE MITER SCALE POINTER

1. Loosen the screw holding the miter scale pointer (Fig. 4 - 1).

2. Adjust the direction of the pointer so that it accurately indicates 0° on the miter scale.

3. Tighten the screw on the pointer.



ASSEMBLY AND ADJUSTMENTS

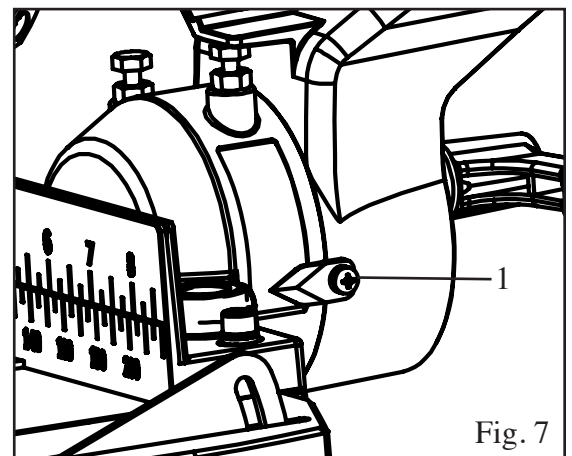
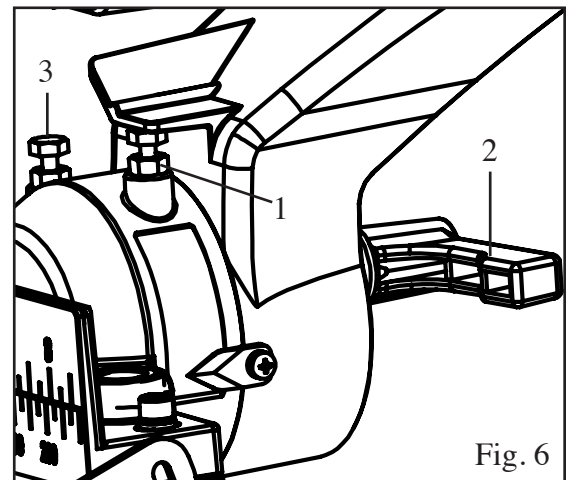
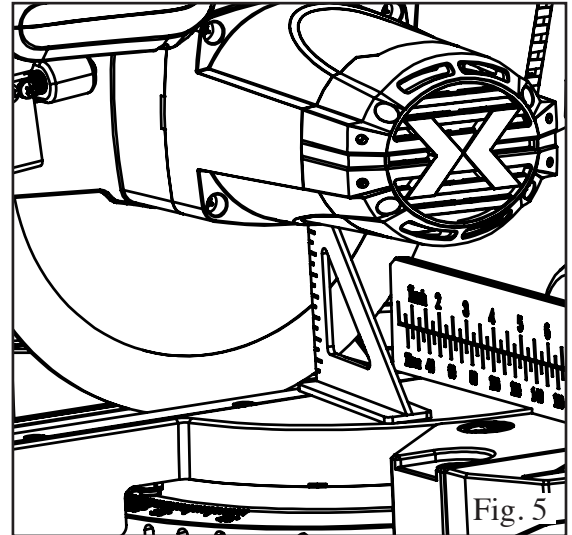
SETTING THE BLADE SQUARE WITH THE TABLE

1. Lower the saw arm to its lower position and lock the release knob.
2. Slide the saw arm to the back and tighten the sliding knob.
3. Set the miter table to 0° and tighten the miter lock.
4. Set the bevel angle to 0° (leaving the blade at 90° to the miter table) and tighten the bevel lock.
5. Place a set square (not included) against the table and the flat part of the saw blade (Fig. 5).
6. Wearing work gloves, rotate the blade by hand and check the blade-to-table alignment at several points.
7. The edge of the set square and the saw blade should be parallel. If the saw blade angles away from the set square, adjust as follows.
8. Use a spanner (not included) to loosen the lock nut securing the 0° bevel adjustment screw (Fig 6 - 1).
9. Holding the operating handle, loosen the bevel lock (Fig 6 - 2).
10. Adjust the 0° bevel adjustment screw to bring the saw blade into alignment with the square.
11. Tighten the bevel adjustment screw and the lock nut. Tighten the bevel lock.

NOTE: The above procedure can also be used to check the angle of the saw blade to the table at the 45° bevel angle. The saw blade can be adjusted at 45° with the 45° bevel adjustment screw (Fig. 6 - 3).

SETTING THE BEVEL SCALE POINTER

1. After setting the saw blade at 90° with the table, loosen the screw holding the bevel scale pointer (Fig. 7 - 1).
2. Adjust the direction of the pointer so that it accurately indicates 0° on the bevel scale.
3. Tighten the screw on the pointer.



ASSEMBLY AND ADJUSTMENTS



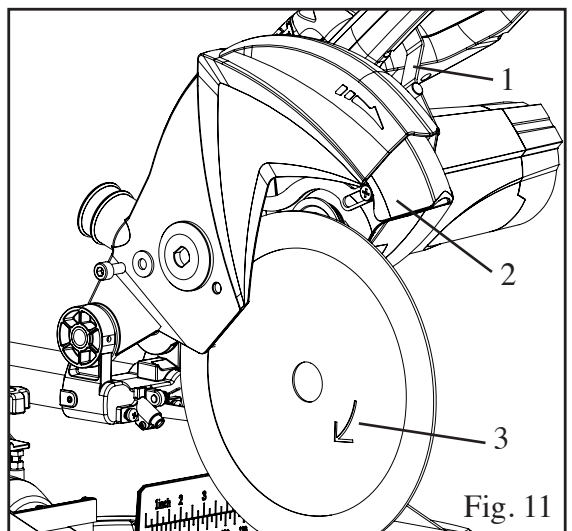
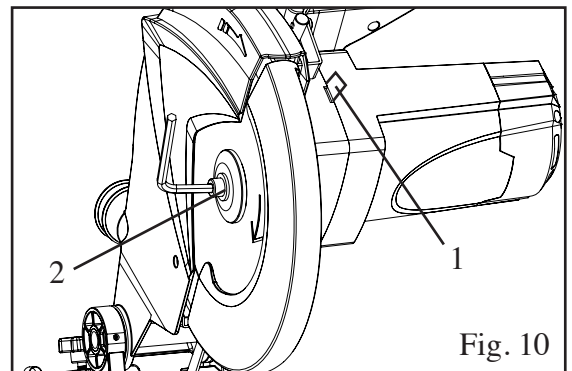
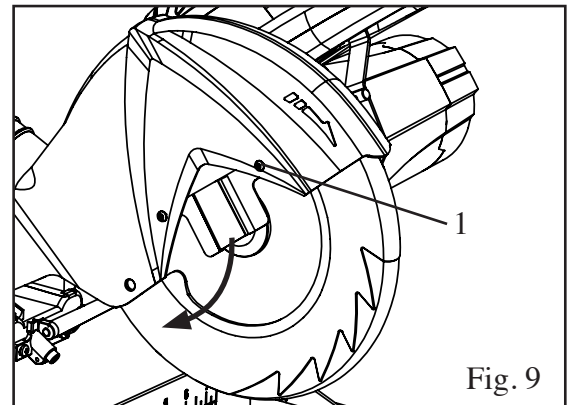
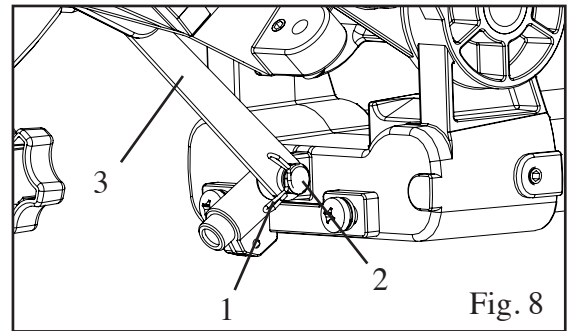
WARNING: Remove the power plug before performing adjustments on the miter saw. Wear work gloves when handling saw blades to protect your hands from possible injuries.

CHANGING THE SAW BLADE

DANGER! Never try to use a blade larger than the stated capacity of the saw. Never use a blade that is too thick. It will prevent the blade screw from properly securing the blade on the spindle. Install the suitable blade for your cutting operation.

1. Place a piece of paper on the miter table to catch the screws.
2. Lift the saw arm to the upper position and lock it in place.
3. Remove the spring (Fig. 8 - 1) from the guide bar screw by pushing together the two ends.
4. Using an allen wrench, unscrew the guide bar screw (Fig. 8 - 2) and release the guide bar (Fig. 8 - 3) from the pin.
5. Loosen the screw on the right of the arbor safety guard (Fig. 9 - 1). Swing the safety guard downwards to expose the flange screw. NOTE: the safety guard does not need to be taken off from the saw.
6. Firmly press down the saw spindle lock (Fig. 10 - 1) to prevent the saw blade from spinning. Using an allen wrench, turn the arbor flange screw (Fig. 10 - 2) clockwise to loosen. Remove the flange screw, washer and the outer flange (Fig 11).
7. Press down the blade guard lever (Fig. 11 - 1) to slide up the saw blade guard (Fig. 11 - 2).
8. Slowly remove the blade by pulling it out in a downwards direction (Fig 11). Clean the flange screw, outer flange and inner flange.
9. Install the new saw blade by inserting the blade arbor into the spindle. Return the blade guard into the original position.

IMPORTANT: An arrow is printed on the left side of the blade to indicate the direction of the blade teeth (Fig. 11 - 3). Install the blade with the blade teeth and the arrow pointing downwards, so that the arrow on the blade is in the same as the direction of the blade's rotation (Fig. 12).



ASSEMBLY AND ADJUSTMENTS

10. Reinstall the outer flange, washer and flange screw. Hold down the spindle lock (Fig. 10 - 1) and tighten the flange screw with the allen wrench.

11. Return the arbor safety guard back in place, and tighten it back onto the screw on the right.

10. Return the guide bar back to position (Fig. 8). Insert the guide bar screw and tighten. Then reattach the spring onto the screw.

IMPORTANT: Rotate the saw blade and make sure that it does not wobble. Lower the saw arm and check if the blade spins freely in the table insert in both perpendicular and 45° angles.

USING THE LASER

A laser line can be projected from the laser (Fig. 13 - 1) onto the workpiece to provide a reference guide for the cut.

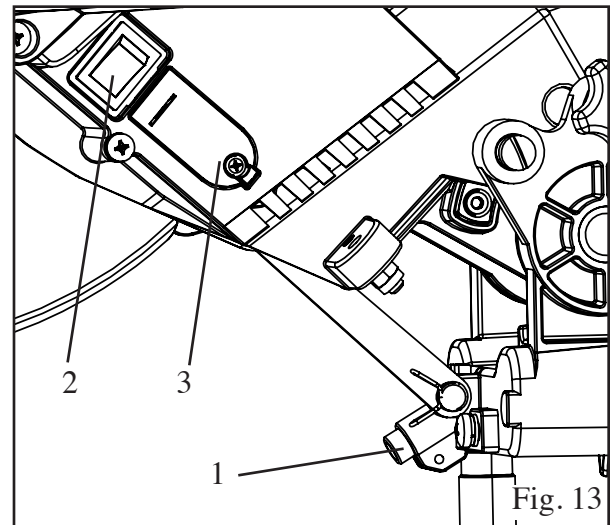
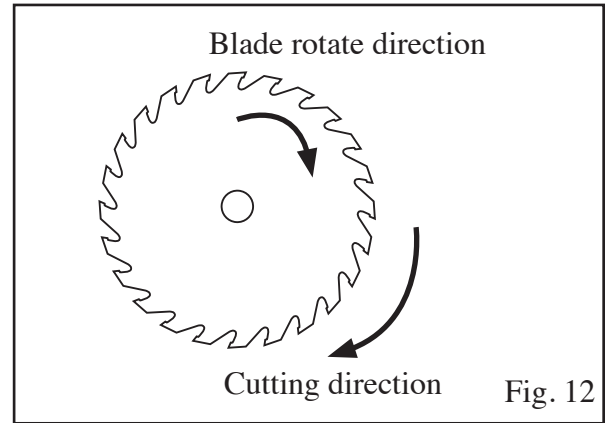


WARNING: Do not start directly into the laser. Do not project the laser onto reflective surfaces.

To switch on the laser, move the ON/OFF switch (Fig. 13 - 2) up to the “I” position. To switch off the laser, move the ON/OFF switch down to the “O” position.

INSTALLING/REPLACING THE BATTERIES:

1. Switch off the laser to “O” position.
2. Unscrew and open the battery compartment cover (Fig. 13 - 3). Remove the used batteries and replace new batteries (3 x LR44 Battery). Check that the battery terminals are positioned correctly when inserting new batteries.
3. Close the battery compartment and tighten the screw.

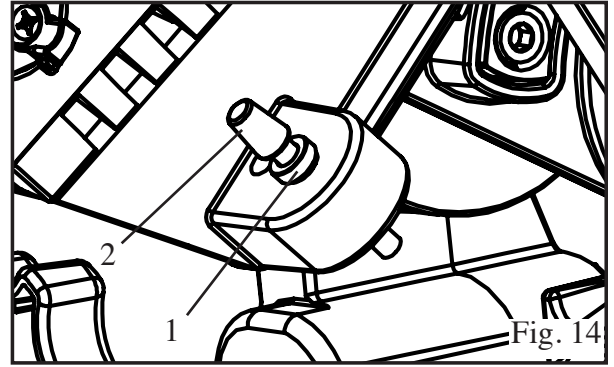


ASSEMBLY AND ADJUSTMENTS

LIMITING THE CUTTING DEPTH

The saw cutting depth can be adjusted using the depth adjustment screw located beside the laser switch.

1. Loosen the nut on the depth adjustment screw (Fig. 14 - 1).
2. Rotate the screw (Fig. 14 - 2) in or out to set the required cutting depth. Tighten the nut to lock the depth adjustment screw in place.
3. Check the cutting depth setting by completing a test cut.



CHANGING THE SAW BLADE SPEED

The miter saw can be operated with two speeds. The speed switch is located at the back of the saw arm. Select the suitable speed for the material being cut. Do not change the blade speed while the miter saw is running.

1. **LOW SPEED:** 2000 RPM, recommended for cutting mild steel.
2. **HIGH SPEED:** 4500 RPM, recommended for cutting wood, plastic, aluminum, bronze alloy and copper alloy.

USING THE DUST COLLECTION BAG



WARNING: Do not use dust bag or dust collection when cutting metal. Risk of fire and explosion can occur due to hot metal dust or flying sparks.

Use the dust collection bag for wood cutting operations. Squeeze together the metal ring on the dust bag and attach it to the dust extraction port on the back of the saw.

Empty the dust bag by opening the zipper on the bottom of the bag. For efficient operation, empty the dust bag when half full to allow for better air flow through the bag.

OPERATION



WARNING: Be sure to read and understand all the specific rules for your miter saw before attempting to assemble or operate your miter saw.

1. RAISE THE SAW ARM

Before operation, raise the saw arm from the lower position. Slightly press down the saw arm to pull out the release knob (Fig. 15 - 1) . Raise the saw arm to its full height and release the release knob into the shallow groove.

2. SET UP A CUT

The miter saw can be set up to create cuts at different angles by adjusting the angle of the miter table and the saw bevel angle.

To set up the miter table angle:

Push down the miter lock (Fig. 15 - 2) with your thumb and lift the miter stop lever (Fig. 15 - 3) with your index finger. Rotate the miter table until the pointer aligns with angle of your choice on the miter scale. The miter table features positive click stops at 0°, 15°, 22.5°, 30°, and 45°. Release the miter stop lever to lock the table at a click stop. Push up the miter lock to secure the miter table in place. Check that the table is secured.

To set up the saw arm bevel angle:

Hold the operation handle with one hand and loosen the bevel lock (Fig 15 - 4) in the back of the machine. Tilt the saw arm to the desired bevel angle (between 0° and 45° to the left). Tighten the bevel lock and make sure the saw arm angle is secured.

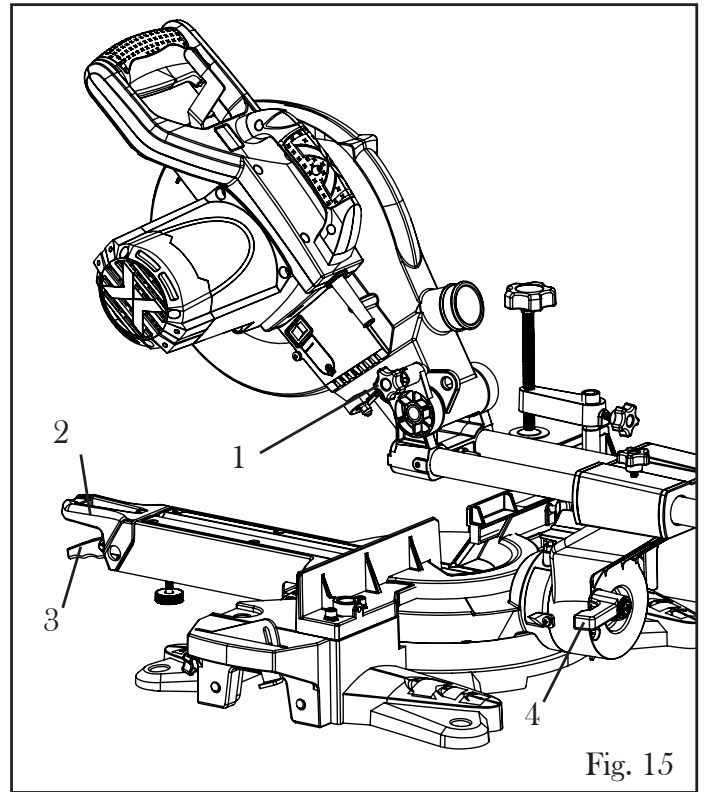
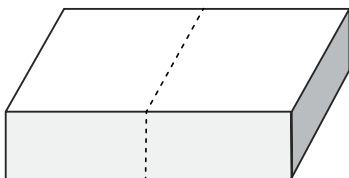


Fig. 15

Refer to the diagram below for setting up your desired cut.

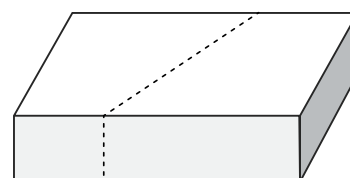
CROSS CUT:

Miter table 0°, Saw arm 0°



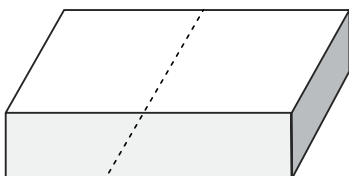
MITER CUT:

Miter table 0 to 45° left or right, Saw arm 0°



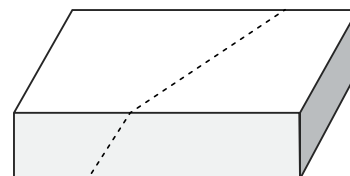
BEVEL CUT:

Miter table 0°, Saw arm 0° to 45°,



COMPOUND CUT:

Miter table 0 to 45° left or right, Saw arm 0° to 45°



OPERATION

3. SLIDING FUNCTION

For materials width <4 inches (100 mm)

When cutting materials with a width less than 4 inches, the sliding mechanism isn't necessary. Loosen the slide lock knob (Fig. 16 - 1) and use the operating handle to push back the saw arm. Tighten the slide lock knob.

For materials width >4 inches (100 mm)

When cutting materials with a width longer than 4 inches, the saw arm will need to slide to cut through the workpiece. Loosen the slide lock knob so the saw arm can slide through the entire workpiece.

4. PLACE WORKPIECE

Place the workpiece flat on the table with one edge securely against the fence. Turn on the laser to see where the cut will land on the material (See Page 17 "Using the Laser").

Warped Boards: If the board is warped, place the convex side against the fence (Fig. 17 - 1). **CAUTION:** The board could break and jam the blade if the concave side is placed against the fence.

Long Boards: When cutting long workpieces, support the opposite end of the material with the support table, a roller stand or a work surface that is level with the saw table.

5. SECURE WORKPIECE

Secure the workpiece with the clamping device on the fixed table whenever possible to prevent the material from moving during the cutting operations. Position the clamp (Fig. 17 - 2) in the position that does not interfere with the travel of the saw. Tighten it in place with the two clamp lock screws. Lower the clamp knob (Fig. 17 - 3) to clamp the workpiece and tighten.

NOTE: When cutting metal, it is very important to clamp down the workpiece as any movement of the metal workpiece will cause damage to the blade.

6. SELECT THE SUITABLE SPEED

Select the suitable speed for the material being cut. Do not change the blade speed while the miter saw is running.

1. **LOW SPEED:** 2000 RPM, recommended for cutting mild steel.
2. **HIGH SPEED:** 4500 RPM, recommended for cutting wood, plastic, aluminum, bronze alloy and copper alloy.

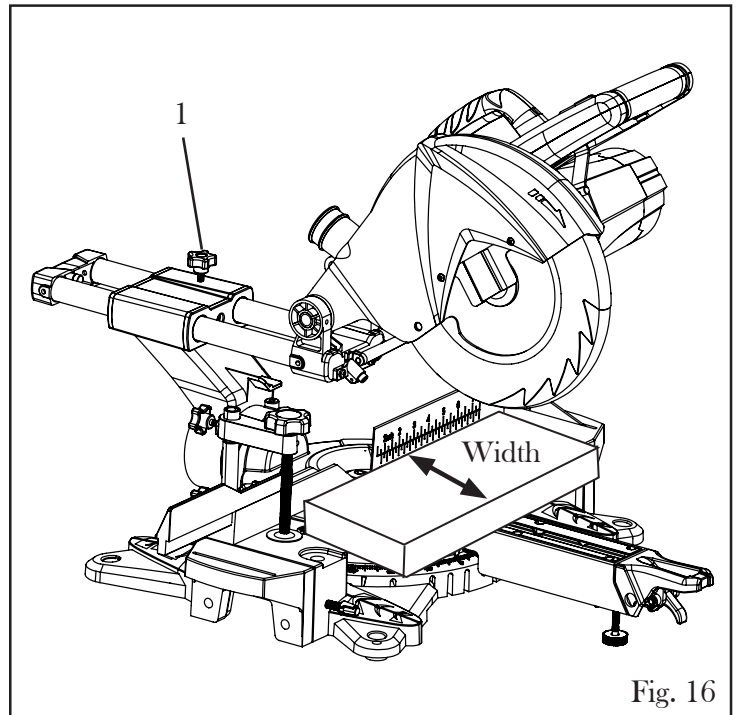


Fig. 16

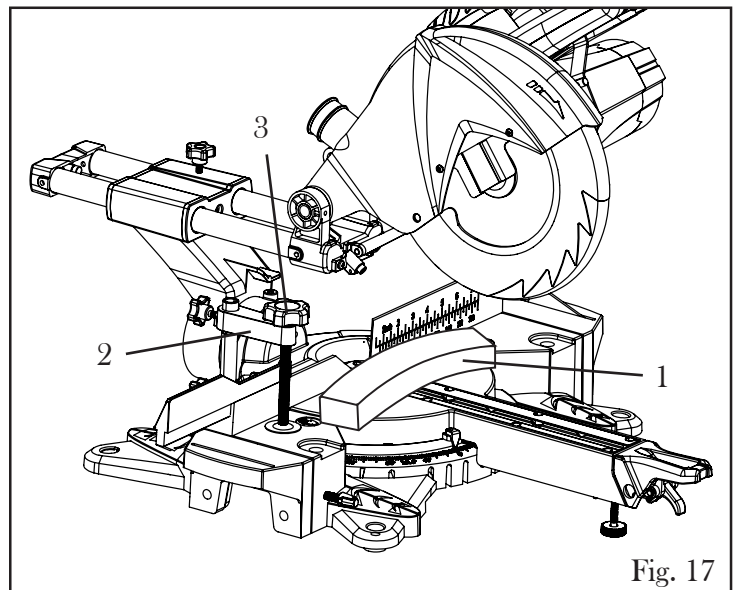


Fig. 17

OPERATION



WARNING: Before operating the miter saw, make sure to equip yourself with dust mask, ear protection, safety glasses and work gloves for protection from possible injuries. Tie back long hair and do not wear loose clothing or jewelry.

7. CHECK BEFORE OPERATION

- Check that the miter table does not rotate and the saw arm does not bevel.
- Check that the workpiece is fully supported, against the fence and securely clamped down.
- Check that you have selected the right blade speed for your material to be cut.
- Without turning on the saw, perform a dry run of the cutting operation to check that nothing is obstructing the path of the saw.



WARNING: Be sure to tighten the miter lock and bevel lock before making a cut. Failure to do so could result in the table moving during the cut and may cause serious personal injuries.

8. PERFORMING THE CUT

1. Hold the operating handle firmly and press the blade guard lever with your index finger. Squeeze the switch trigger to turn on the saw.
2. Allow the blade to reach full speed.
 - **Without sliding:** Slowly lower the blade into and through the workpiece.
 - **With sliding:** Pull the saw arm all the way to the front. Slowly lower the blade into the workpiece while steadily pushing it away from you until the workpiece is cut. **CAUTION:** Never slide the saw arm towards you when cutting. Always push away.
3. Release the switch trigger and allow the saw blade to stop rotating before slowly raising the blade out of the workpiece. Wait until the blade fully stops before removing the workpiece. After cutting all the workpieces, unplug your miter saw before leaving.

SPECIFIC RULES FOR CUTTING METAL

NOTE: This miter saw is designed for woodworking and can only handle occasional metal cutting. Excessive metal cutting can dull the saw blade quickly and cause damage to the miter saw.

• **Recommended:**

- Aluminum, bronze alloy, copper alloy, and mild steel without heat treatment.

• **Not recommended:**

- Steel with heat treatment or surface hardening treatment, as it will damage saw blade very fast.
- Pure copper, as the material is sticky. Use HSS saw blade with fine teeth and cut copper at high speed.

• **Forbidden:**

- Magnesium and magnesium alloys. **WARNING: Do not cut magnesium or magnesium alloys. Serious accident and even death could occur.**

1. Only use saw blades specific for metal cutting or for handling multipurpose operations.
2. Initial contact of the saw blade with the metal workpiece must be slow and gentle. Apply constant force to feed the blade into the workpiece. Avoid movement or vibration of the workpiece during cutting may damage the saw blade.
3. Do not use dust bag or dust collection when cutting metals. Risk of fire and explosion can occur due to hot metal dust or flying sparks!

MAINTENANCE



WARNING: Always ensure that the tool is switched off and the plug is removed from the outlet before making any adjustments or maintenance procedures.

Any damage to this tool should be repaired and carefully inspected by qualified repair personnel before use. Have your power tool serviced by a qualified repair person using only identical replacement parts to maintain the safety of the power tool.

GENERAL MAINTENANCE

1. Keep the tool's air vents unclogged and clean at all times.
2. Remove dust and dirt using a soft brush or a clean cloth after each use. Remember to wear eye protection.
WARNING: Do not at any time let brake fluids, gasoline, petroleum-based products, penetrating oils come in contact with the plastic parts. Avoid using solvents when cleaning plastic parts. Chemicals can damage, weaken or destroy plastic which may result in serious personal injury.
3. Regularly check that all screws are tight. They may vibrate loose over time.
4. Regularly check the power cord for any damage. Power cord maintenance must be carried out by authorized personnel in order to avoid safety hazards.

CARBON BRUSHES

If you see excessive sparks during cutting, it is time to inspect and replace the carbon brushes. Have an experienced person perform the inspection and maintenance. The carbon brushes are located inside the motor housing, which can be accessed by unscrewing and opening the motor housing cover. Replace both carbon brushes when either has less than 1/4 in. length of carbon remaining, or if the spring or wire is damaged or burned. Reinstall the motor housing.

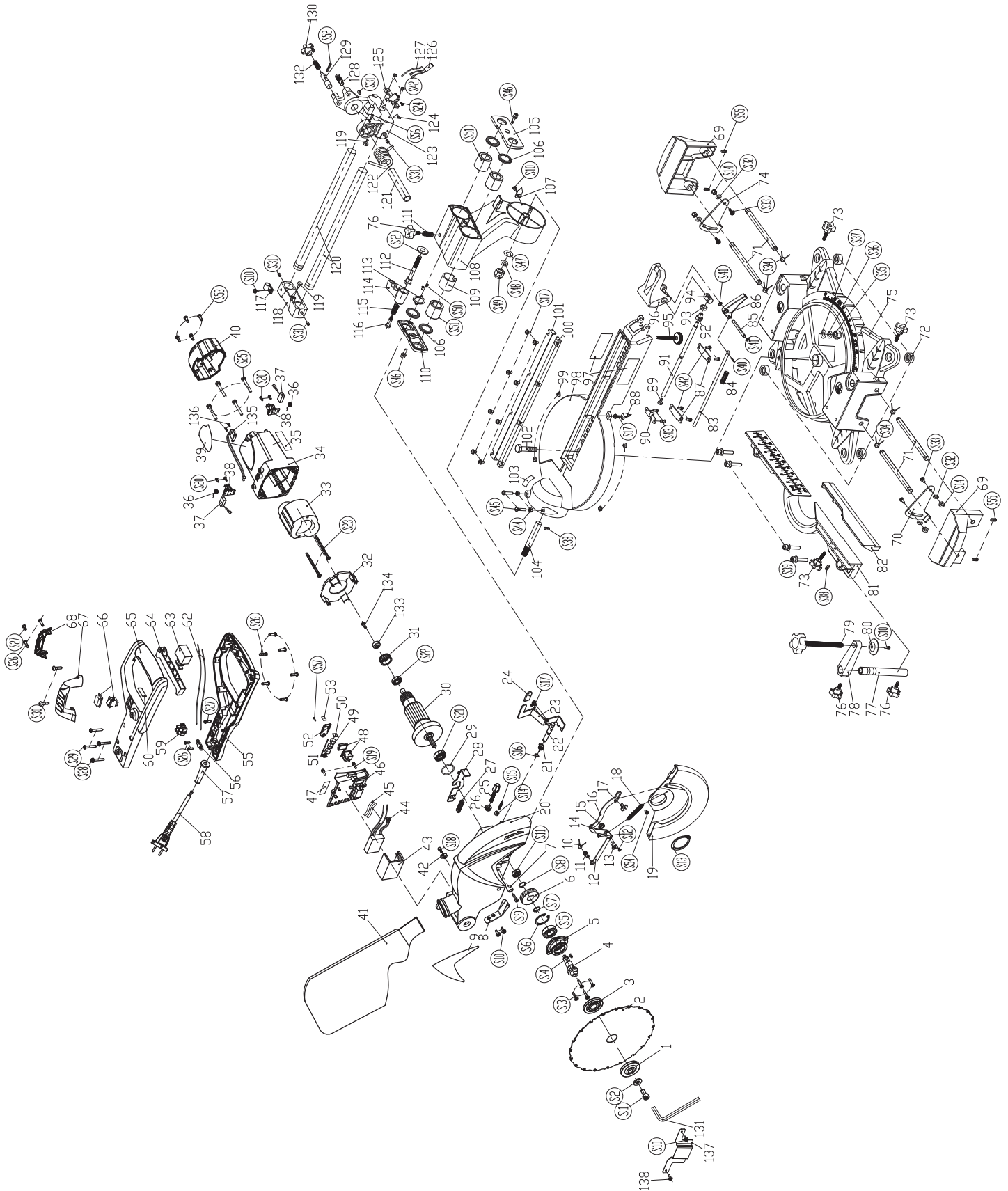
STORAGE

1. Store the miter saw and its accessories in a dark, dry and frost-proof place that is inaccessible to children.
2. The optimum storage temperature is between 41 to 86 °F (5 to 30 °C).
3. Cover the miter saw in order to protect it from dust and moisture. Preferably store it in its original packaging with the instruction manual.
4. Remove the batteries before storing the miter saw for a long period of time. Store the battery at a cool and dry place away from fire and heat.

PRODUCT DISPOSAL

When the product reaches the end of its lifetime, please do not dispose of it with household waste. Electrical and electronic products are hazardous to the environment and human health due to the presence of hazardous substances. Take the product to your local recycling facility for it to be responsibly recycled to minimize impacts on the environment.

EXPLODED VIEW & PARTS LIST



EXPLODED VIEW & PARTS LIST

No.	Part No.	Part Description	Qty.
1	70730-001	Outer Pressure Block	1
2	70730-002	216 Blade	1
3	70730-003	Inner Pressure Block	1
4	70730-004	Spindle	1
5	70730-005	Front Cover	1
6	70730-006	Big Gear	1
7	70730-007	Shield Ring	1
8	70730-008	Splash Guard	1
9	70730-009	Nameplate Label	1
10	70730-010	Clamps	1
11	70730-011	Rod Journal	1
12	70730-012	Connecting Rod	1
13	70730-013	Positioning Bolt (Blade Guard)	1
14	70730-014	Positioning Rod	1
15	70730-015	Rod Sleeve	1
16	70730-016	Movable Connecting Rod	1
17	70730-017	Shield Connection Bolt	1
18	70730-018	Return Tension Spring	1
19	70730-019	Shield	1
20	70730-020	Head Cover	1
21	70730-021	Guard Lock Knob Spring	1
22	70730-022	Locking Shaft	1
23	70730-023	Lock Lever	1
24	70730-024	Gum Cover	1
25	70730-025	Cutting Depth Adjustment Knob	1
26	70730-026	Cutting Depth Adjustment Nut	1
27	70730-027	Locking Spring	1
28	70730-028	Locking Bar	1
29	70730-029	Ø26XØ2 O-Ring	1
30	70730-030	Armature	1
31	70730-031	Bearing Bush	1
32	70730-032	Fan Shroud	1
33	70730-033	Stator	1
34	70730-034	Housing	1
35	70730-035	Protective Tip Labeling	1
36	70730-036	Carbon Brush Coil Spring	2
37	70730-037	Carbon Brush	2
38	70730-038	Brush Holder	2
39	70730-039	Parameters Stickers	1
40	70730-040	Cover	1
41	70730-041	Crumb Bag	1
42	70730-042	Return Stop	1
43	70730-043	Soft Start Box	1
44	70730-044	Controller	1
45	70730-045	Ø8XØ60 Heat Shrink Tubing	2
46	70730-046	Infrared Battery Pack	1
47	70730-047	Infrared Label	1
48	70730-048	Infrared Switch	1
49	70730-049	Button Battery	3
50	70730-050	Positive Insert	1
51	70730-051	Negative Insert	1
52	70730-052	Infrared Battery Cover	1
53	70730-053	Insulating Strip	1

No.	Part No.	Part Description	Qty.
55	70730-055	Handle Seat	1
56	70730-056	Pressure Block	1
57	70730-057	Cable Shield	1
58	70730-058	Cable	1
59	70730-059	Connection Terminal	1
60	70730-060	Variable Speed Switch Indicator	1
62	70730-062	Lead Wire (320mm)	2
63	70730-063	Switch	1
64	70730-064	Switch Knob	1
65	70730-065	Handle Cover	1
66	70730-066	Variable Switch	1
67	70730-067	Lifting Seat	1
68	70730-068	Lifting Cover	1
69	70730-069	Workbench Extension	2
70	70730-070	Positioning Block Slice	1
71	70730-071	Guide Rod	4
72	70730-072	Rubber Feet	4
73	70730-073	Guide Rod Lock Knob	3
74	70730-074	Positioning Block	1
75	70730-075	Base Plate	1
76	70730-076	Lever Lock Knob	3
77	70730-077	Clamping Block Shaft	1
78	70730-078	Aluminum Base	1
79	70730-079	Clamping Block Knob	1
80	70730-080	Clamp	1
81	70730-081	Main on Board	1
82	70730-082	Side on Board	1
83	70730-083	Angle Position Rod	1
84	70730-084	Angle Positioning Lever	1
85	70730-085	Turnplate Handle Shaft	1
86	70730-086	Fast Lock Trigger	1
87	70730-087	Angle Positioning Seat	2
88	70730-088	Turntable Pointer	1
89	70730-089	Clamping Pad	1
90	70730-090	Turntable Lock Rod Clamp	1
91	70730-091	Turnplate Lock Bar	1
92	70730-092	Lock Lever Adjusting Nut	1
93	70730-093	Locating Sleeve Lock	1
94	70730-094	Active Connector	1
95	70730-095	Levelling Lock Button	1
96	70730-096	Turntable Handle	1
97	70730-097	Label	1
98	70730-098	Turntable	1
99	70730-099	Antifriction Mat	4
100	70730-100	Left Kerf Board	1
101	70730-101	Right Kerf Board	1
102	70730-102	Turnplate Bolt	1
103	70730-103	Calibration Label	1
104	70730-104	Inclined Shaft	1
105	70730-105	Front Shroud	1
106	70730-106	Wool Washer (Ø30XØ20X3)	3
107	70730-107	Diagonal Pointer	1
108	70730-108	Oblique Transposition	1

EXPLODED VIEW & PARTS LIST

No.	Part No.	Part Description	Qty.
109	70730-109	Nylon Sleeve	1
110	70730-110	Back Shroud	1
111	70730-111	Rail Locking Knob Spring	1
112	70730-112	Bevel Lock Bolt	1
113	70730-113	Wool Gasket Clamp	1
114	70730-114	Bevel Locking Handle	1
115	70730-115	Turnable Bevel Locking Spring	1
116	70730-116	Turnable Oblique Screw Bolt	1
117	70730-117	Cable Card	1
118	70730-118	Back Seat Guide Bar	1
119	70730-119	Collision Column	2
120	70730-120	Pull Rod	2
121	70730-121	Spring Pin	1
122	70730-122	Large Torsion	1
123	70730-123	Spring Seat	1
124	70730-124	Infrared Indicator	1
125	70730-125	infrared Lamp Holder	1
126	70730-126	Infrared Lamp	1
127	70730-127	Ø4X100 Ash Pipe	1
128	70730-128	Positioning Bolt (Slide Rail)	1
129	70730-129	Bit lock Pin	1
130	70730-130	Bit Lock Button	1
131	70730-131	6mm Allen Wrench	1
132	70730-132	Spring	1
133	70730-133	Magnet Ring	1
134	70730-134	Screw M4X6	1
135	70730-135	Sensor	1
136	70730-136	Screw ST2.9X8	2
137	70730-137	Arbor Safety Guard	1
138	70730-138	Shoulder Screw M4x4	2
S1	70730-201	M8X20 Hexagon Socket Head Cap Screws	1
S2	70730-202	Ø8 Washer	2
S3	70730-203	M4X14 Countersunk Screws	4
S4	70730-204	5X5X10 Flat Key	1
S5	70730-205	6202RS Deep Groove Ball Bearings	1
S6	70730-206	Ø35 Hole Circlip	1
S7	70730-207	Ø15 Shaft Circlip	1
S8	70730-208	Ø14 Shaft Circlip	1
S9	70730-209	M4X14 Hexagon Socket Head Cap Screws	1
S10	70730-210	ØM4X8 Cross Recessed Pan Head Screw Kit	6
S11	70730-211	607 Deep Groove Ball Bearings	1
S12	70730-212	4X6 Flat Head Rivet	2
S13	70730-213	Ø38 Shaft Circlip	1
S14	70730-214	M5 Hexagon Nuts	5
S15	70730-215	5X18 Allen Flat End Set Screws	1
S16	70730-216	Ø8 Opening Ring	1
S17	70730-217	M4X122 Cross Recessed Pan Head Screw Kit	11
S18	70730-218	M4X8 Hexagon Socket Head Cap Screws	1
S19	70730-219	M4X14 Cross Recessed Pan Head Screw Kit	2
S20	70730-220	ST3.5X10 Cross Recessed pan Head Tapping Screws	4

No.	Part No.	Part Description	Qty.
S21	70730-221	6201RS Deep Groove Ball Bearings	1
S22	70730-222	6000RS Deep Groove Ball Bearings	1
S23	70730-223	ST5X65 Cross Recessed Pan Head Tapping Screws	2
S24	70730-224	ST2.9x9 Cross Recessed Pan head Tapping Screws	1
S25	70730-225	M5X30 Cross Recessed pan head Screw Kit	4
S26	70730-226	M4X30 Cross Recessed Pan Head Tapping Screws	10
S27	70730-227	ST4X12 Cross Recessed Pan Head Tapping Screws	2
S28	70730-228	M4X30 Cross Recessed Pan Head Screw Kit	2
S29	70730-229	ST4X25 Cross Recessed pan head Tapping Screws	2
S30	70730-230	ST5X12 Cross-Recessed Pan head Screw Kit	2
S31	70730-231	M6X6 Hexagon Socket Set Screws (Slide Rail)	4
S32	70730-232	Ø5 Wave Washer	4
S33	70730-233	M5X16 Cross-Recessed Pan Head Screw Kit	4
S34	70730-234	Ø10 Shaft Circlip	4
S35	70730-235	M10 Hexagon Nuts	1
S36	70730-236	Ø10 Wave Washer	1
S37	70730-237	Ø10 Washer	1
S38	70730-238	M6X12 Hexagon Socekt Set Screws	2
S39	70730-239	M6X30 Hexagon head Screw Key Combination	4
S40	70730-240	Ø2X14 Cylindrical Pin	1
S41	70730-241	Ø6 Opening Ring	2
S42	70730-242	M5X12 Cross Recessed Pan Head Screw Kit	6
S43	70730-243	M5X12 Cross-Recessed Countersunk Head Screws	4
S44	70730-244	M6 Hex Nuts	2
S45	70730-245	M6X25 Hexagon Head Bolt	2
S46	70730-246	M5X14 Hexagon Head Screw Key Combination	2
S47	70730-247	Ø12 Washer	1
S48	70730-248	Ø12 Wave Washer	1
S49	70730-249	M12 Hexagon Nuts	1
S50	70730-250	ST3X5 Cross-Recessed Pan Head Tapping Screws	2
S51	70730-251	Linear Bearings (LM25UU)	3
S52	70730-252	3X18 Elastic Cylindrical Pin	1
S53	70730-253	ST4.2X16	4
S54	70730-254	M4X6 Cross Recessed Pan Head Screw Kit	1
S55	70730-255	M6X6 Hexagon Socket Set Screws (Support Table)	4
S56	70730-256	M5X8 Hexagon Socket Set Screw	1
S57	70730-257	ST2.9x10 Cross-Recessed pan Head Tapping Screws	1

WARRANTY STATEMENT

WEN Products is committed to building tools that are dependable for years. Our warranties are consistent with this commitment and our dedication to quality.

LIMITED WARRANTY OF WEN CONSUMER POWER TOOLS PRODUCTS FOR HOME USE

GREAT LAKES TECHNOLOGIES, LLC (“Seller”) warrants to the original purchaser only, that all WEN consumer power tools will be free from defects in material or workmanship for a period of two (2) years from date of purchase. Ninety days for all WEN products, if the tool is used for professional use.

SELLER’S SOLE OBLIGATION AND YOUR EXCLUSIVE REMEDY under this Limited Warranty and, to the extent permitted by law, any warranty or condition implied by law, shall be the repair or replacement of parts, without charge, which are defective in material or workmanship and which have not been misused, carelessly handled, or misrepaired by persons other than Seller or Authorized Service Center. To make a claim under this Limited Warranty, you must make sure to keep a copy of your proof of purchase that clearly defines the Date of Purchase (month and year) and the Place of Purchase. Place of purchase must be a direct vendor of Great Lakes Technologies, LLC. Third party vendors such as garage sales, pawn shops, resale shops, or any other secondhand merchant void the warranty included with this product. Contact techsupport@wenproducts.com or 1-800-232-1195 to make arrangements for repairs and transportation.

When returning a product for warranty service, the shipping charges must be prepaid by the purchaser. The product must be shipped in its original container (or an equivalent), properly packed to withstand the hazards of shipment. The product must be fully insured with a copy of the warranty card and/or the proof of purchase enclosed. There must also be a description of the problem in order to help our repairs department diagnose and fix the issue. Repairs will be made and the product will be returned and shipped back to the purchaser at no charge.

THIS LIMITED WARRANTY DOES NOT APPLY TO ACCESSORY ITEMS THAT WEAR OUT FROM REGULAR USAGE OVER TIME INCLUDING BELTS, BRUSHES, BLADES, ETC. ANY IMPLIED WARRANTIES SHALL BE LIMITED IN DURATION TO TWO (2) YEARS FROM DATE OF PURCHASE. SOME STATES IN THE U.S., SOME CANADIAN PROVINCES DO NOT ALLOW LIMITATIONS ON HOW LONG AN IMPLIED WARRANTY LASTS, SO THE ABOVE LIMITATION MAY NOT APPLY TO YOU.

IN NO EVENT SHALL SELLER BE LIABLE FOR ANY INCIDENTAL OR CONSEQUENTIAL DAMAGES (INCLUDING BUT NOT LIMITED TO LIABILITY FOR LOSS OF PROFITS) ARISING FROM THE SALE OR USE OF THIS PRODUCT. SOME STATES IN THE U.S. AND SOME CANADIAN PROVINCES DO NOT ALLOW THE EXCLUSION OR LIMITATION OF INCIDENTAL OR CONSEQUENTIAL DAMAGES, SO THE ABOVE LIMITATION OR EXCLUSION MAY NOT APPLY TO YOU.

THIS LIMITED WARRANTY GIVES YOU SPECIFIC LEGAL RIGHTS, AND YOU MAY ALSO HAVE OTHER RIGHTS WHICH VARY FROM STATE TO STATE IN THE U.S., PROVINCE TO PROVINCE IN CANADA AND FROM COUNTRY TO COUNTRY.

THIS LIMITED WARRANTY APPLIES ONLY TO PORTABLE ELECTRIC TOOLS, BENCH POWER TOOLS, OUTDOOR POWER EQUIPMENT AND PNEUMATIC TOOLS SOLD WITHIN THE UNITED STATES OF AMERICA, CANADA AND THE COMMONWEALTH OF PUERTO RICO. FOR WARRANTY COVERAGE WITHIN OTHER COUNTRIES, CONTACT THE WEN CUSTOMER SUPPORT LINE.

THANKS FOR REMEMBERING

