

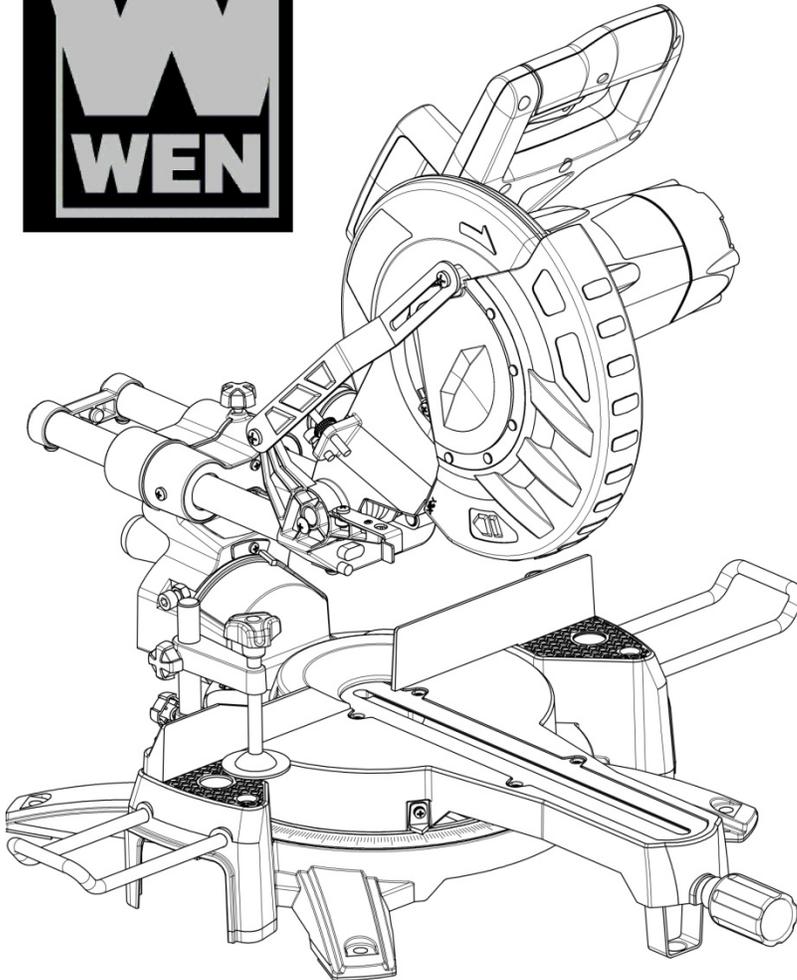


OPERATOR'S MANUAL

10" Sliding Compound

Miter Saw

Model # 70716



IMPORTANT:

Your new tool has been engineered and manufactured to WEN's highest standards for dependability, ease of operation, and operator safety. When properly cared for, this product will supply you years of rugged, trouble-free performance.

Pay close attention to the rules for safe operation, warnings, and cautions. If you use your tool properly and for its intended purpose, you will enjoy years of safe, reliable service.



Need help? Contact us!

Have product questions? Need technical support?

Please feel free to contact us at:

 **800-232-1195** (M-F 8AM-5PM CST)

 **techsupport@wenproducts.com**

 **WENPRODUCTS.COM**

TABLE OF CONTENTS

Specifications	3
General safety rules.....	4
Additional safety rules for miter saws	6
Know your product	7
Operation and adjustments	8
Unpacking	8
Transportation	8
Bench mounting	8
Release knob	8
Slide lock	8
Miter table lock	8
Bevel lock	9
Hold down clamp assembly	9
Spindle lock button	9
Rotating lower blade guard	9
Dust collection bag	9
Attaching the material support arms	9
Trench depth adjustment	10
Turning on and off	10
Setting the table square with the blade	10
Setting the fence square with the table	11
Changing a blade	11
Cross-cutting (without slide action)	11
Cross-cutting (with slide action)	12
Bevel cut	12
Compound miter cut	13
Maintenance	15
Power cord maintenance	15
Cleaning	15
General inspection	15
Exploded view and parts list	16
Limited two years warranty.....	20

WARNINGS

It may be more difficult to see the laser line in conditions of bright sunshine and on certain surfaces.

For safe operation read instruction manual.

Specifications

Model Number	70716
Input Power	120V, 60Hz, 15A
No Load Speed	5500 RPM
Blade Size	10" x 5/8" bore
Number of teeth	60
MiterTable Angles	0° to 52° Left & Right
Bevel Cuts	0° to 45° Left only
Weight	29.7 lbs
Cutting Capacity	
Straight cut	at 0° miter, 0° bevel: 3-1/4x11-5/8"
Miter cut	at 45° miter, 0° bevel: 3-1/4x8-1/16"
Bevel cut	at 0° miter, 45° left bevel: 1-5/8x11-5/8"
Compound miter cut	at 45° left miter, 45° left bevel: 1-5/8x8-1/16"

The WEN 10" Sliding Compound Miter Saw is supplied with the following accessories as standard:

- Saw blade (installed)
- Hold down clamp
- 6 mm hex key
- 2 material support arms
- Dust collection bag
- Instruction manual

General safety rules



WARNING: Read all safety warnings and instructions. Failure to follow the warnings and instructions may result in electric shock, fire and/or serious injury.
Save all warnings and instructions for future reference.
The term “power tool” in the warnings refers to your operated (corded) power tool.

1. Work area safety

- a. Keep work area clean and well lit. Cluttered or dark areas invite accidents.
- b. Do not operate power tools in explosive atmospheres, such as in the presence of flammable liquids, gases or dust. Power tools create sparks that may ignite the dust or fumes.
- c. Keep children and bystanders away while operating a power tool. Distractions can cause you to lose control.

2. Electrical safety

- a. Power tool plugs must match the outlet. Never modify the plug in any way. Do not use any adapter plugs with earthed (grounded) power tools. Unmodified plugs and matching outlets will reduce risk of electric shock.
- b. Avoid body contact with earthed or grounded surfaces, such as pipes, radiators, ranges and refrigerators. There is an increased risk of electric shock if your body is earthed or grounded.
- c. Do not expose power tools to rain or wet conditions. Water entering a power tool will increase the risk of electric shock.
- d. Do not abuse the cord. Never use the cord for carrying, pulling or unplugging the power tool. Keep cord away from heat, oil, sharp edges or moving parts. Damaged or entangled cords increase the risk of electric shock.
- e. When operating a power tool outdoors, use an extension cord suitable for outdoor use. Use of a cord suitable for outdoors reduces the risk of electric shock.
- f. To reduce the risk of electric shock, the manufacturer recommends using a residual current device with a rated residual current of 30mA or less at all times.

3. Personal safety

- a. Stay alert, watch what you are doing and use common sense when operating a power tool. Do not use a power tool while you are tired or under the influence of drugs, alcohol or medication. A moment of inattention while operating power tools can result in serious personal injury.
- b. Use personal protective equipment. Always wear eye protection. Protective equipment such as dust mask, non-skid safety shoes, hard hat, or hearing protection used for appropriate conditions will reduce personal injuries.
- c. Prevent unintentional starting. Ensure the switch is in the off-position before plugging in, picking up or carrying the tool. Carrying power tools with your finger on the switch or plugging in power tools that have the switch on invites accidents.
- d. Remove any adjusting key or wrench before turning the power tool on. A wrench or a key left attached to a rotating part of the power tool may result in personal injury.
- e. Do not overreach. Keep proper footing and balance at all times. This enables better control of the power tool in unexpected situations.
- f. Dress properly. Do not wear loose clothing or jewelry. Keep your hair, clothing and gloves away from moving parts. Loose clothes, jewelry or long hair can be caught in moving parts.
- g. If devices are provided for the connection of dust extraction and collection facilities, ensure these are connected and properly used. Use of dust collection can reduce dust-related hazards.

4. Power tool use and care

- a. Do not force the power tool. Use the correct power tool for your application. The correct power tool will do the job better and safer at the rate for which it was designed.
- b. Do not use the power tool if the switch does not turn it on and off. Any power tool that cannot be controlled with the switch is dangerous and must be repaired.
- c. Disconnect the plug from the power source and from the power tool before making any adjustments, changing accessories, or storing power tools. Such preventive safety measures reduce the risk of starting the power tool accidentally.
- d. Store idle power tools out of the reach of children. Do not allow anyone unfamiliar with the power tool/instructions to operate the power tool. Power tools are dangerous in the hands of untrained users.
- e. Maintain power tools. Check for misalignment or binding of moving parts, breakage of parts and any other condition that may affect the power tool's operation. If damaged, have the power tool repaired before use. Many accidents are caused by poorly maintained power tools.
- f. Keep cutting tools sharp and clean. Properly maintained cutting tools with sharp edges are less likely to bind and easier to control.
- g. Use the power tool, accessories, tool bits, and etcetera, in accordance with these instructions. Take into account the working conditions and the work to be performed. Use of the power tool for operations different from those intended can result in a hazardous situation.
- h. This appliance is not intended for use by persons (including children) with reduced physical, sensory or mental capabilities, or lack of experience and knowledge, unless they have been given supervision or instruction concerning use of the appliance by a person responsible for their safety.
- i. Children should be supervised to ensure that they do not play with the appliance.

5. Service

Have your power tool serviced by a qualified repairperson using only identical replacement parts. This will ensure that the safety of the power tool is maintained.

Additional safety rules for miter saws

- Ensure that the lighting is adequate.
- Do not use the saw unless the guards are in place.
- Do not use the saw to cut metal or masonry.
- Keep the area free of tripping hazards.
- Do not let anyone under 18 years operate this saw.
- Always stand to one side when operating the saw.
- Never use damaged or deformed saw blades. Only use sharp blades.
- When cutting round wood, use clamps that prevent the workpiece from turning on both sides of the blade.
- Never use your hands to remove sawdust, chips or waste from near the saw blade.
- Only use blades as recommended by the manufacturer.
- Do not use blades manufactured from high-speed steel.
- If the table insert is damaged or worn, have it replaced by an authorized service center.
- Before making compound miter cuts, ensure that the work head is securely fixed in the desired position.
- Rags, cloths, cord, string and the like should never be left around the work area.
- Avoid cutting nails. Inspect the workpiece and remove all nails and other foreign objects before beginning to saw.
- Support the work properly.
- Never reach over the blade to remove waste or cut-offs.
- Do not attempt to free a jammed blade while the machine is still running.
- Do not slow or stop a blade with a piece of wood. Let the blade come to rest naturally.
- If you're interrupted during operation, complete the task at hand and turn the saw off before looking up.
- Periodically check that all nuts, bolts and other fasteners are properly tightened.
- Always hold the saw by the insulated parts. If you accidentally cut into hidden wiring or the saw's own cable, the metal parts of the saw will become electrified. Turn off and unplug immediately.
- Connect the saw to a dust collection device that is operating properly.
- Wear gloves when handling saw blades.
- Keep the floor area around the machine level, well maintained and free of loose materials such as wood chips and cut-offs.
- During slide cutting, always push the saw blade away as opposed to pulling it back towards you.
- Always use stands to provide support for pieces that extend past the worktable.

WARNING: We recommend the use of a Ground-Fault Circuit Interrupter (GFCI).

Wear goggles

Wear earmuffs

Wear a breathing mask



WARNING! For your own safety read instruction manual before operating miter saw. Wear eye protection. Keep hands out of path of saw blade. Do not operate saw without guards in place. Do not perform any operation freehand. Never reach around the saw blade. Turn off tool and wait for saw blade to stop before moving workpiece or changing settings. When changing the blade, replace and secure all guarding to its original and correct position before starting tool. Disconnect power before changing blade or servicing the power tool. Do not expose to rain. Do not use in damp locations. To reduce the risk of injury, return carriage to the full rear position after each crosscut operation.

The tool must be used only for its prescribed purpose. Any use other than those mentioned in this manual will be considered a case of misuse. The user shall be liable for any damage or injury resulting from such cases of misuse.

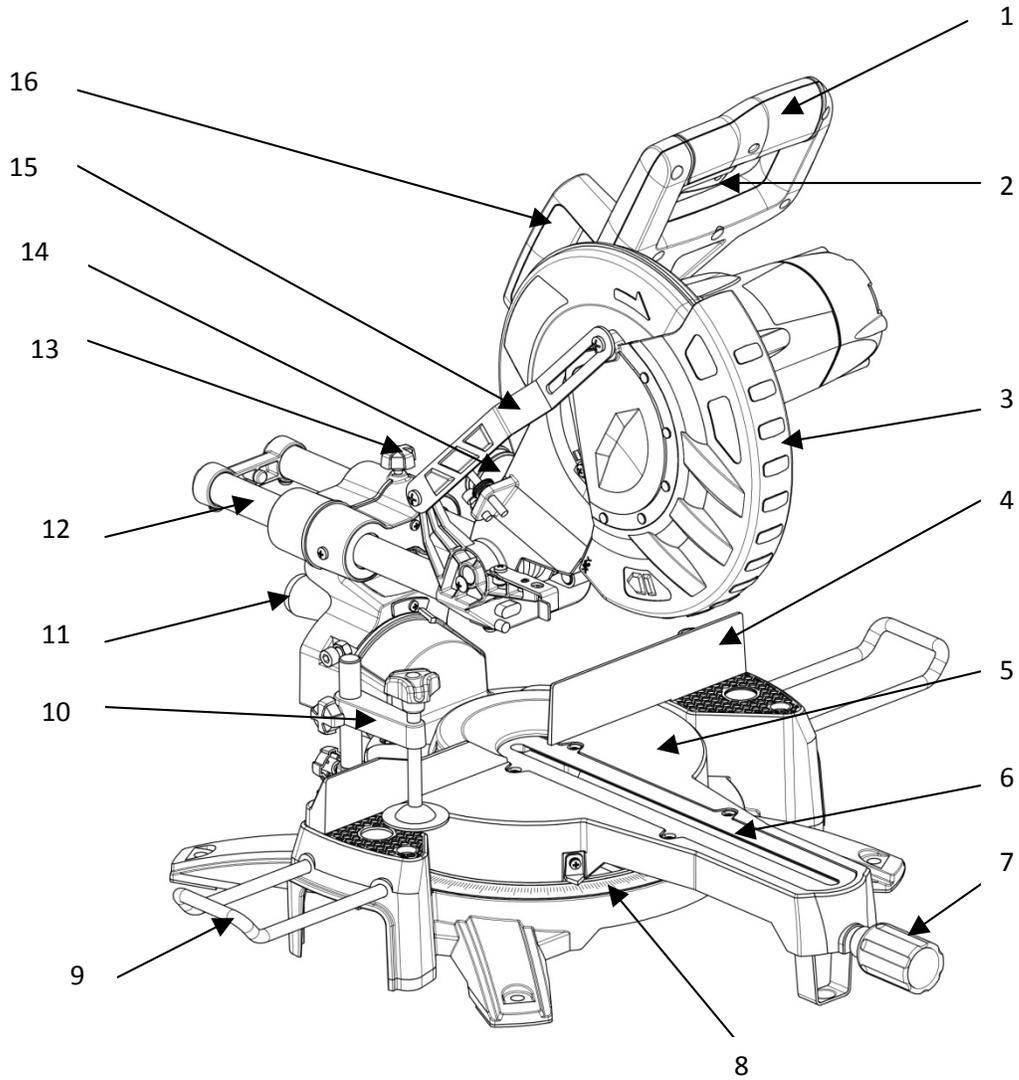
The manufacturer shall not be liable for any changes made to the tool nor for any damage resulting from such changes.

Even when the tool is used as prescribed it is not possible to eliminate all residual risk factors. The following hazards may arise in connection with the tool's construction and design:

- Damage to the lungs if an effective dust mask is not worn.
- Damage to hearing if effective earmuffs are not worn.

Know your product

Before using the saw, familiarize yourself with all the operating features and safety requirements.



- | | |
|---------------------|--------------------------|
| 1. Operating Handle | 11. Bevel Lock Knob |
| 2. ON/OFF Switch | 12. Slide Bar |
| 3. Blade Guard | 13. Slide Lock knob |
| 4. Fence | 14. Dust Extraction Port |
| 5. Miter Table | 15. Guard Retraction Arm |
| 6. Table Insert | 16. Carrying Handle |
| 7. Miter Lock | |
| 8. Miter Scale | |
| 9. Support Arm | |
| 10. Clamp Assembly | |

Operation and adjustments

Unpacking

Due to modern mass production techniques, it is unlikely that your WEN® tool is faulty or that a part is missing. However, if you find anything wrong, do not operate the tool until the parts have been replaced or the fault has been rectified. Failure to do so could result in serious personal injury.

1. Remove all loose parts from the carton.
2. Remove the packing materials from around the saw.
3. Using the carrying handle (16) carefully lift the saw from the carton and place it on a level work surface.
4. The saw has been shipped with the saw arm locked in the down position. To release the saw arm, push down on the top of the saw arm, pull on the release knob (Fig. 2), rotate it 45° and let go, slowly raise the saw arm.



WARNING: Do not lift the saw while holding on to the guards. Use the carrying handle (16).

Transportation

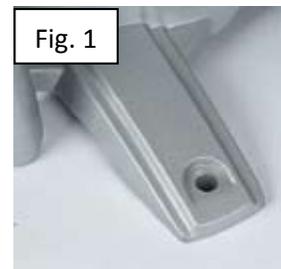
Lift the miter saw only when the saw arm is locked in the down position, the saw is switched off and the plug is removed from the power source.

Only lift the saw by the carrying handle (16) or outer castings. Do not lift the saw using the guard or operating handle (1).

Bench mounting

The saw base has holes in each corner to facilitate bench mounting (Fig. 1).

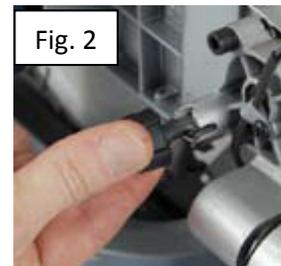
1. Mount and fix the saw to a level, horizontal bench or worktable using four bolts (not included).
2. If desired, you can mount the saw to a piece of 1/2" or thicker plywood which can then be clamped to your work support or moved to other job sites and re-clamped.



CAUTION: Make sure that the mounting surface is not warped. Uneven surfaces can cause binding and inaccurate sawing.

Release knob

The release knob is provided for holding the cutting head down while transporting or storing the miter saw (Fig. 2). The saw must never be used while the release knob is locking the head down.



Slide lock

When tightened, the slide lock knob (Fig. 3) prevents the saw head from sliding. Tighten the slide lock knob during transportation.



Miter table lock

The miter table lock (7) is used to lock the table at the desired miter angle (Fig. 4). The miter saw cuts from 0° to 45° both left and right. To adjust the angle, loosen the miter table lock and rotate to the desired miter angle. Relock the table in place. The miter table features positive click stops at 0°, 15°, 22.5°, 30° and 45° for quick setting of common miter angles.



WARNING: Be sure to tighten the miter table lock before making a cut. Failure to do so can cause the table to move during the cut, resulting in serious personal injury.



Bevel lock

The bevel lock (11) is used to set the blade at the desired bevel angle (Fig. 5). The miter saw bevels from 0° to 45° left.



WARNING: Be sure to tighten the bevel lock before making a cut. Failure to do so could result in the saw arm moving during the cut and cause serious personal injury.

Hold down clamp assembly

The hold down clamp assembly can be mounted to the fence on either side of the saw blade depending on what suits the task at hand. Use the clamp assembly lock at the back of the fence to secure the clamp assembly in position (Fig. 6).

Note: use only ONE clamp at a time.

Spindle lock button

The spindle lock button prevents the blade in the saw from rotating (Fig. 7). Depress and hold the spindle lock button while installing, changing or removing the blade.

Rotating lower blade guard

The rotating lower blade guard provides protection from both sides of the blade (Fig. 8). It retracts over the upper blade guard as the saw is lowered onto the workpiece.

Dust collection bag

The dust collection bag fits over the dust extraction port (14). For more efficient operation, empty the dust bag when it is half full. This allows better air flow through the bag.

Attaching the material support arms

The material support arms help to support the material when working with long workpieces. There are two location holes for a support bar on either side of the table. Loosen the lock screws with the 6mm hex key. Ensure the sidebars are fully inserted before using them to support the workpiece (Fig. 9 & 10).

The side support bar locking screws must be tightened to secure the support bars in position (Fig. 9 & 10).

Fig. 6



Fig. 7



Fig. 8



Fig. 9



Fig. 10



Trench depth adjustment

In its normal position, the trenching stop permits the saw blade to cut right through a workpiece. When the saw arm is lifted, the trenching stop can be moved to the left so that the trenching depth adjustment screw contacts the stop as the saw arm is lowered. (Fig.11). This restricts the cut to a specific “trench” in the workpiece. The depth of the trench can be adjusted with the trenching depth adjustment screw (Fig. 12) and locked in position with the trenching depth lock nut (Fig. 13).



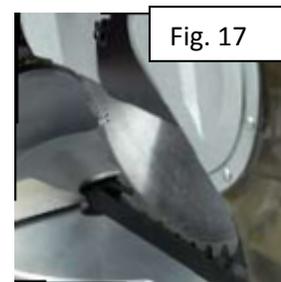
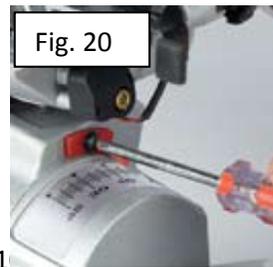
Turning on and off

1. Pull in switch trigger to start the unit (Fig. 14).
2. To turn the saw off release the ON/OFF trigger switch.

Setting the table square with the blade

1. Make sure that the power cord is removed from the power source.
 2. Push the saw arm down to its lowest position and engage the release knob (Fig. 2) to hold the saw arm in the transport position.
 3. Loosen the miter lock (Fig. 15).
 4. Rotate the table until the pointer is positioned at 0°.
 5. Tighten the miter lock (Fig. 15).
 6. Loosen the bevel lock (Fig. 16) and set the saw arm at 0° bevel (leaving the blade at 90° to the miter table). Tighten the bevel lock (Fig. 16).
 7. Place a set square against the table and the flat part of the blade (Fig. 17).
- Note.** Make sure that the square contacts the flat part of the saw blade, not the teeth.
8. Rotate the blade by hand and check the blade-to-table alignment at several points.
 9. The edge of the set square and the saw blade should be parallel.
 10. If the saw blade angles away from the set square, adjust as follows.
 11. Use a 13mm wrench or adjustable wrench to loosen the lock nut securing the 0° bevel adjustment screw (Fig. 18). Also, loosen the bevel lock (Fig. 16).
 12. Adjust the 0° bevel adjustment screw (Fig. 18) with the 6mm hex key to bring the saw blade into alignment with the square (Fig. 19).
 13. Loosen the 2 screws holding the pointer of the bevel scale and adjust the position of the pointer so that it accurately indicates zero on the scale (Fig. 20). Retighten the screw.
 14. Retighten the bevel lock (Fig. 16) and the lock nut securing the 0° bevel adjustment screw (Fig. 16).

Note. The above procedure can also be used to check the angle of the saw blade to the table at the 45° bevel angle.



Setting the fence square with the table

1. Make sure that the power cord is removed from the power source.
2. Push the saw arm down to its lowest position and engage the release knob (Fig. 24) to hold the saw arm in the transport position.
3. Loosen the miter lock (Fig. 15).
4. Rotate the table until the pointer is positioned at 0°.
5. Tighten the miter lock (Fig. 15).
6. Using the 6mm hex key provided, loosen the four screws securing the fence to the base (Fig. 21).
7. Place a square against the fence and alongside the blade (Fig. 22).
8. Adjust the fence until it is square with the blade.
9. Tighten the screws securing the fence.
10. Loosen the screw holding the pointer of the miter scale (Fig. 23) and adjust it so that it accurately indicates the zero position on the miter scale (Fig. 23).
11. Retighten the screw securing the miter scale pointer.

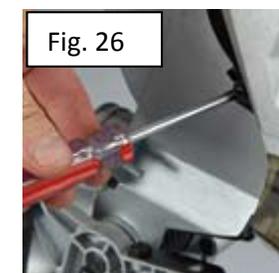


Changing a blade

DANGER! Never try to use a blade larger than the stated capacity of the saw. It might come into contact with the blade guards. Never use a blade that is too thick to allow the outer blade washer to engage with the flats on the spindle.

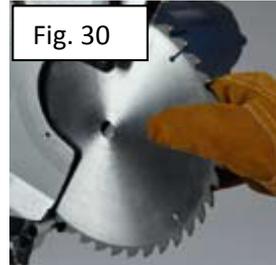
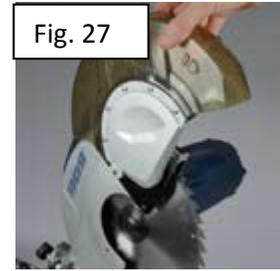
It will prevent the blade screw from properly securing the blade on the spindle. Do not use the saw to cut metal or masonry. Ensure that any spacers and spindle rings that may be required suit the fitted spindle and blade.

1. Make sure that the power cord is removed from the power source.
2. Push down on the operating handle (1) and pull the release knob (Fig. 24) to disengage the saw arm. The release knob (Fig. 24) can be turned so that it is held in the retracted position.
3. Raise the saw arm to its highest position.
4. Using a screwdriver loosen and remove the screw that secures the guard retraction arm to the rotating blade guard (Fig. 25).
5. Using a screwdriver loosen and remove the screw that secures the arbor bolt cover (Fig. 26).
6. Pull the rotating blade guard down then swing it up together with the arbor bolt cover. When the rotating blade guard is positioned in the upward position, it is possible to access the arbor bolt (Fig. 27).
7. Hold the rotating guard up and press the spindle lock button (Fig. 28). Rotate the blade until the spindle locks.
8. Use the 6mm hex key provided to loosen and remove the arbor bolt (loosen in a clockwise direction as the blade screw has a left-handed thread) (Fig. 29).
9. Remove the flat washer, the outer flange washer and the blade.
10. Wipe a drop of oil onto the inner flange and the outer flange where they contact the blade.
11. Fit the new blade onto the spindle taking care that the inner flange sits behind the blade (Fig. 30).



CAUTION: To ensure correct blade rotation, always install the blade with the blade teeth and the arrow printed on the side of the blade pointing downwards. The direction of the blade's rotation is also stamped with an arrow on the upper blade guard.

12. Replace the outer flange (Fig. 31).
13. Depress the spindle lock button (Fig. 28) and replace the flat washer and arbor bolt.
14. Use the 6mm hex key to tighten the arbor bolt securely (tighten in a counterclockwise direction).
15. After lowering the blade guard, hold the rotating lower blade guard and arbor bolt cover in position and tighten the fixing screw (Fig. 32).
16. Replace the guard retraction arm and secure onto the rotating blade guard (Fig. 25).
17. Check that the blade guard operates correctly and covers the blade as the saw arm is lowered.
18. Connect the saw to the power source and run the blade to make certain that it is operating correctly.



Cross-cutting (without slide action)

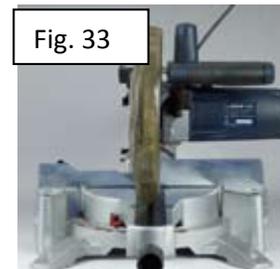
When cutting a narrow piece of wood, it is not necessary to use the slide mechanism. In these cases, ensure that the slide lock knob (13) is screwed down to prevent the saw arm from sliding.

A crosscut is made by cutting across the grain of the workpiece. A 90° crosscut is made with the miter table set at 0° (Fig. 33). Miter crosscuts are made with the table set at some angle other than zero.

1. Pull on the release knob (Fig. 24) and lift the saw arm to its full height.
2. Loosen the miter lock (Fig. 15).
3. Rotate the miter table until the pointer aligns with the desired angle.
4. Retighten the miter lock (Fig. 15).

WARNING: Be sure to tighten the miter lock before making a cut. Failure to do so could result in the table moving during the cut and cause serious personal injury.

5. Place the workpiece flat on the table with one edge securely against the fence. If the board is warped, place the convex side against the fence. If the concave side is placed against the fence, the board could break and jam the blade.
6. When cutting long pieces of timber, support the opposite end of the timber with either the side support arms, a roller stand, a work surface level with the saw's table or a combination of the three.
7. Use the clamp assembly to secure the workpiece wherever possible.
8. It is possible to remove the clamp assembly by loosening the clamp assembly lock and moving it to the other side of the table. Make sure the clamp assembly lock is tight before using the clamp (Fig. 34).
9. Before turning on the saw, perform a dry run of the cutting operation to check that there are no problems.

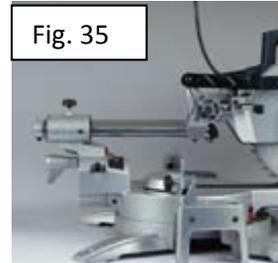


10. Hold the operating handle (1) firmly and squeeze the switch trigger. Allow the blade to reach maximum speed and slowly lower the blade into and through the workpiece.
11. Release the switch trigger and allow the saw blade to stop rotating before raising the blade out of the workpiece. Wait until the blade stops before removing the workpiece.

Cross-cutting (with slide action)

When cutting wide workpieces, first unscrew the slide lock knob (13).

1. Pull on the release knob (Fig. 24), raise the saw arm to its highest position and slide it towards you (Fig. 35).
2. Hold the handle firmly and squeeze the switch trigger. Allow the blade to reach maximum speed.
3. Slowly lower the blade into the workpiece and push it away from you at the same time until the workpiece is cut.
4. Release the switch trigger and allow the saw blade to stop rotating before raising the blade out of the workpiece. Wait until the blade stops before removing the workpiece.

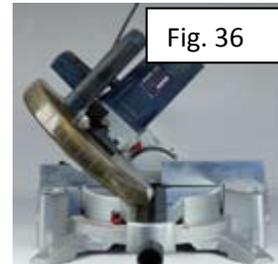


Bevel cut

A bevel cut is made by cutting across the grain of the workpiece with the blade angled to the fence and miter table. The miter table is set at the zero degree position and the blade set at an angle between 0° and 45° (Fig. 36).

Use the slide action when cutting wide workpieces.

1. Pull on the release knob (Fig. 24) and lift the saw arm to its full height.
2. Loosen the miter lock (Fig. 15).
3. Rotate the miter table until the pointer aligns with zero on the miter scale.
4. Retighten the miter lock (Fig. 15).



WARNING: Be sure to tighten the miter lock before making a cut. Failure to do so could result in the table moving during the cut, causing serious personal injury.

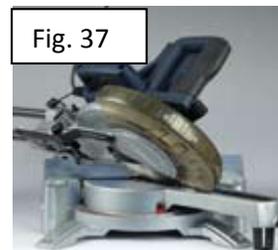
5. Loosen the bevel lock (Fig. 16) and pull out the 0° bevel adjuster. Move the saw arm to the desired bevel angle (between 0° and 45°). Tighten the bevel lock (Fig. 16).
6. Place the workpiece flat on the table with one edge securely against the fence. If the board is warped, place the convex side against the fence. If the concave side is placed against the fence, the board could break and jam the blade.
7. When cutting long pieces of timber, support the opposite end of the timber with the sidebars, a roller stand or a work surface that is level with the saw table.
8. Use the clamp assembly to secure the workpiece wherever possible.
9. It is possible to remove the clamp assembly by loosening the clamp assembly lock and moving it to the other side of the table. Make sure the clamp assembly lock is tight before using the clamp.
10. Before turning on the saw, perform a dry run of the cutting operation to check that there are no problems.
11. Hold the operating handle (1) firmly and squeeze the switch trigger. Allow the blade to reach maximum speed.
12. Slowly lower the blade into and through the workpiece.
13. Release the switch trigger and allow the saw blade to stop rotating before raising the blade out of the workpiece. Wait until the blade stops before removing the workpiece.

Compound miter cut

A compound miter cut involves using a miter angle and a bevel angle at the same time (Fig. 37). It is used to make picture frames, cut moldings, make boxes with sloping sides and frame roofs. Always make a test cut on a piece of scrap wood before cutting into good material.

Use the slide action when cutting wide workpieces.

1. Pull on the release knob (Fig. 24) and lift the saw arm to its full height.
2. Loosen the miter lock (Fig. 15).
3. Rotate the miter table until the pointer aligns with the desired angle on the miter scale.



4. Retighten the miter lock (Fig. 15).

WARNING: Be sure to tighten the miter lock before making a cut. Failure to do so could result in the table moving during the cut, causing serious personal injury.

5. Loosen the bevel lock (Fig. 16) and pull out the 0° bevel adjuster and move the saw arm to the left or right to the desired bevel angle (between 0° and 45°). Tighten the bevel lock (Fig. 16).
6. Place the workpiece flat on the table with one edge securely against the fence. If the board is warped, place the convex side against the fence. If the concave side is placed against the fence, the board could break and jam the blade.
7. When cutting long pieces of timber, support the opposite end of the timber with the sidebars, a roller stand or a work surface that is level with the saw table.
8. Use the clamp assembly to secure the workpiece wherever possible.
9. It is possible to remove the clamp assembly by loosening the clamp assembly lock and moving it to the other side of the table. Make sure the clamp assembly lock is tight before using the clamp.
10. Before turning on the saw, perform a dry run of the cutting operation to check that there are no problems.
11. Hold the operating handle (1) firmly and squeeze the switch trigger. Allow the blade to reach maximum speed and slowly lower the blade onto and through the workpiece.
12. Release the switch trigger and allow the saw blade to stop rotating before raising the blade out of the workpiece. Wait until the blade stops before removing the workpiece.

Note: Wear eye protection when brushing dust away.

Maintenance

WARNING: Always ensure that the tool is switched off and the plug is removed from the outlet before making any adjustments or maintenance procedures.

- Any damage to this tool should be repaired and carefully inspected by qualified repair personnel before use.
- Have your power tool serviced by a qualified repairperson using only identical replacement parts. This will ensure that the safety of the power tool is maintained.
- Great Lakes Technologies, LLC will not be responsible for any damage or injury caused by unauthorized repair or mishandling of the tool.

Power cord maintenance

If the supply cord needs replacing, the manufacturer, the manufacturer's agent, or an authorized service centre must carry out the task in order to avoid a safety hazard.

Cleaning

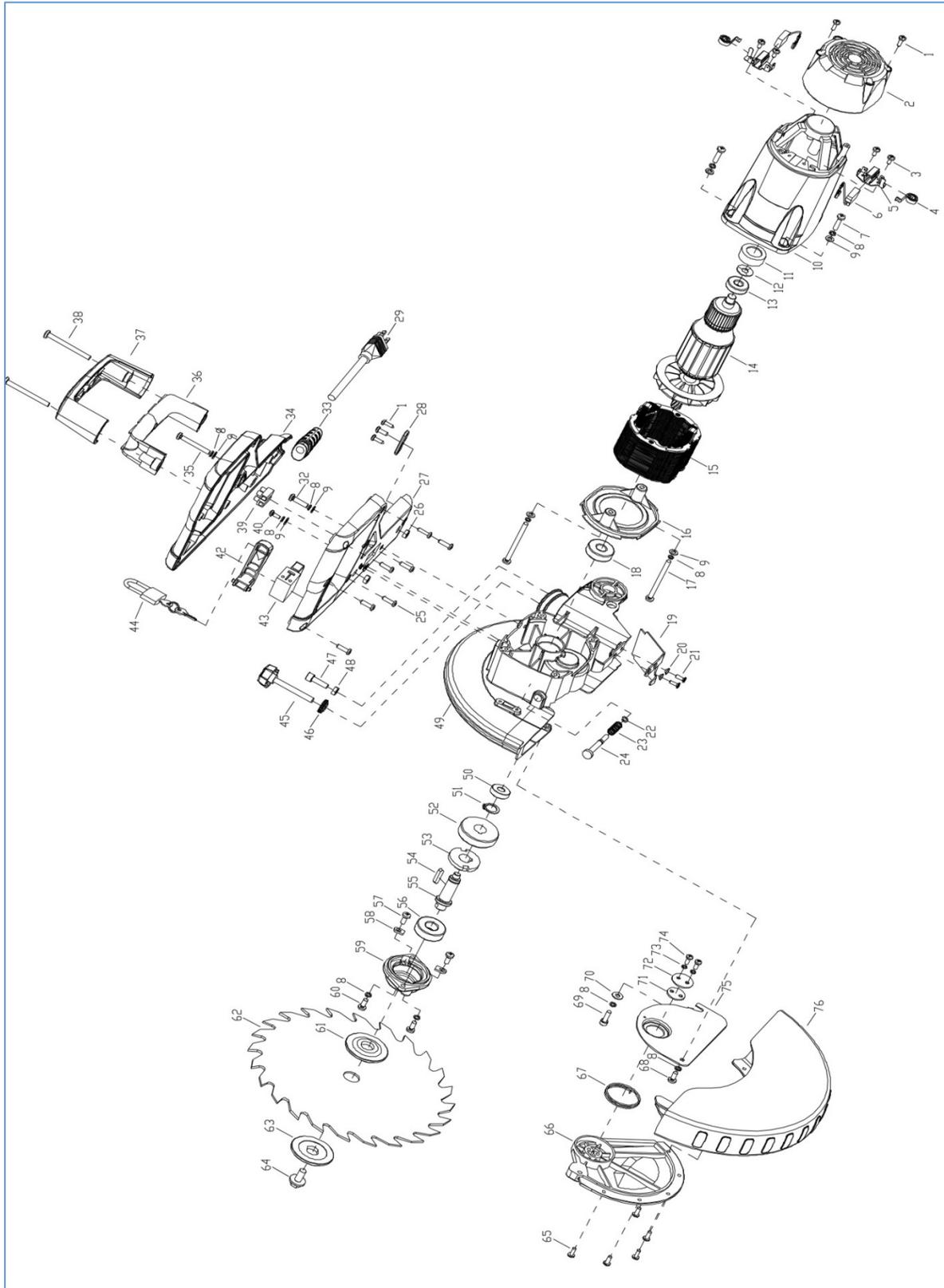
1. Keep the tool's air vents unclogged and clean at all times.
2. Remove dust and dirt regularly. Cleaning is best done with a soft brush or a rag.
3. Re-lubricate all moving parts at regular intervals.
4. Never use caustic agents to clean plastic parts.

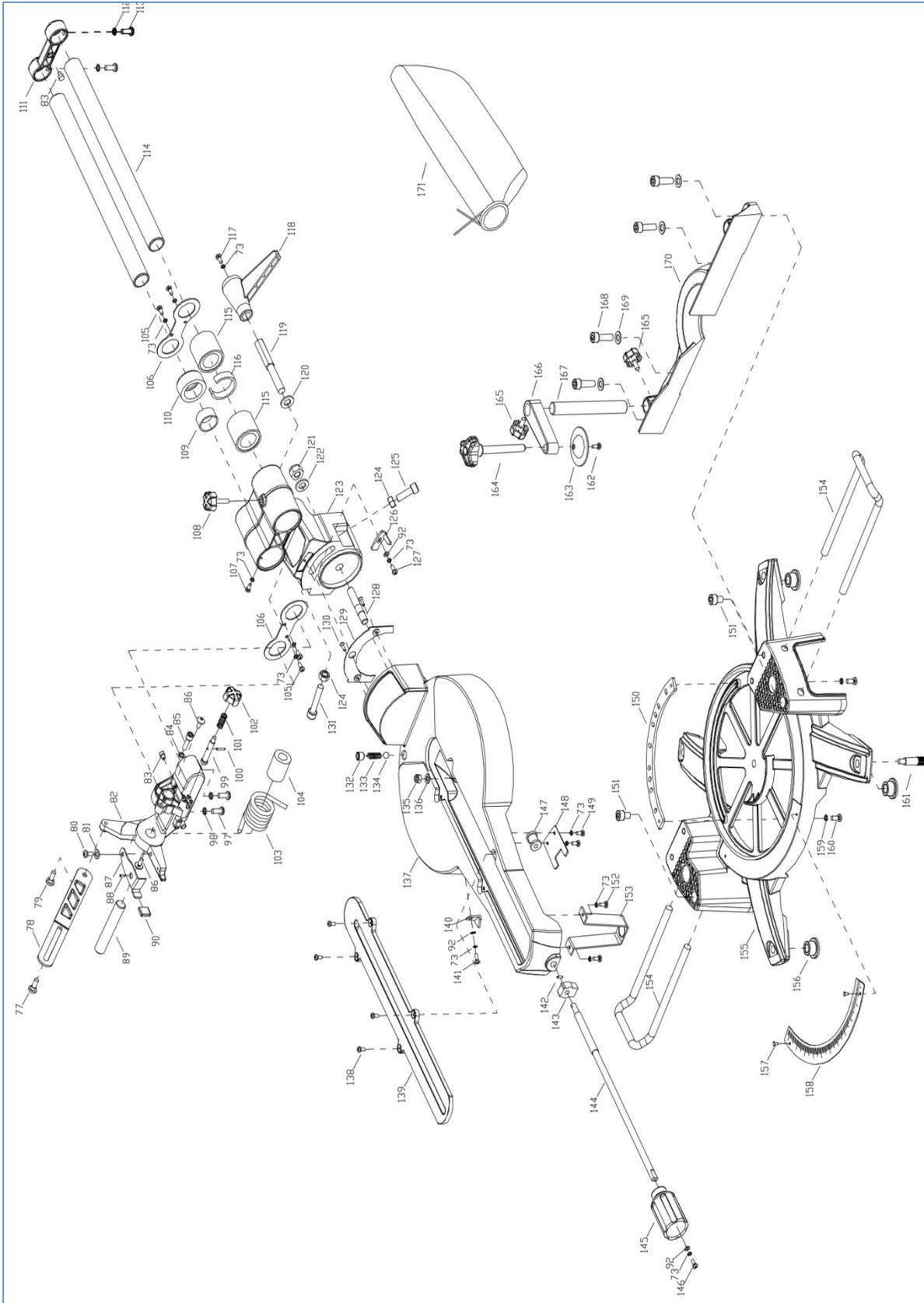
CAUTION: Do not use cleaning agents to clean the plastic parts of the saw. A mild detergent on a damp cloth is recommended.

General inspection

Regularly check that all screws are tight. They may vibrate loose over time.

Exploded view and parts list





Item	Stock #	Description
1	70716-001	Screw
2	70716-002	Motor cover
3	70716-003	Screw
4	70716-004	Brush spring
5	70716-005	Brush hold
6	70716-006	Carbon brush
7	70716-007	Screw
8	70716-008	Spring washer
9	70716-009	Washer
10	70716-010	Motor housing
11	70716-011	Rubber boot
12	70716-012	Wave washer
13	70716-013	Bearing
14	70716-014	Armature
15	70716-015	Stator
16	70716-016	Fan baffle
17	70716-017	Screw
18	70716-018	Bearing
19	70716-019	Anti-finger touch plate
20	70716-020	Lock washer
21	70716-021	Screw
22	70716-022	E clip
23	70716-023	Lock pin spring
24	70716-024	Lock pin
25	70716-025	Screw
26	70716-026	Nut
27	70716-027	Lower handle
28	70716-028	Cord clamp
29	70716-029	Power cord
32	70716-032	Screw
33	70716-033	Cord protector
34	70716-034	Upper handle
35	70716-035	Screw
36	70716-036	Lower carry handle
37	70716-037	Upper carry handle
38	70716-038	Screw

Item	Stock #	Description
39	70716-039	Binding post
40	70716-040	Screw
42	70716-042	Trigger
43	70716-043	Trigger switch
45	70716-045	Adjust knob
46	70716-046	Nut
47	70716-047	Screw
48	70716-048	Nut
49	70716-049	Saw arm
50	70716-050	Bearing
51	70716-051	C clip
52	70716-052	Gear
53	70716-053	Washer
54	70716-054	Key
55	70716-055	Spindle
56	70716-056	Bearing
57	70716-057	Screw
58	70716-058	Washer
59	70716-059	Cover
60	70716-060	Screw
61	70716-061	Inner flange
62	70716-062	Blade
63	70716-063	Outer flange
64	70716-064	Arbor bolt
65-76	70716-065	Blade guard assembly
77	70716-077	Screw
78	70716-078	Guard retraction arm
79	70716-079	Shoulder Screw
80	70716-080	Screw
81	70716-081	Wave washer
82	70716-082	Bracket
83	70716-083	Rubber pole
84	70716-084	Spring washer
85	70716-085	Screw
86	70716-086	Big screw
87	70716-087	Trench depth bracket

Item	Stock #	Description
88	70716-088	Rolled pin
89	70716-089	Pivot shaft
90	70716-090	Bracket cap
97	70716-097	Screw
98	70716-098	Spring washer
99	70716-099	Lock pin
100	70716-100	Rolled pin
101	70716-101	Lock pin spring
102	70716-102	Release knob
103	70716-103	Big torsion spring
104	70716-104	Spring sleeve
105	70716-105	Screw
106	70716-106	Bearing cover
107	70716-107	Screw
108	70716-108	Slide lock knob
109	70716-109	Glide bearing
110	70716-110	Bearing set
111	70716-111	Slide end cap
112	70716-112	Spring washer
113	70716-113	Screw
114	70716-114	Slide bar
115	70716-115	Linear bearing
116	70716-116	Spring loop
117	70716-117	Screw
118	70716-118	Bevel lock knob
119	70716-119	Bevel lock bolt
120	70716-120	Washer
121	70716-121	Locknut
122	70716-122	Washer
123	70716-123	Arm
124	70716-124	Nut
125	70716-125	Screw
126	70716-126	Bevel pointer
127	70716-127	Screw
128	70716-128	Double stud
129	70716-129	Safety cover
130	70716-130	Screw
131	70716-131	Screw
132	70716-132	Screw

Item	Stock #	Description
133	70716-133	Spring
134	70716-134	Roll
135	70716-135	Locknut
136	70716-136	Washer
137	70716-137	Miter table
138	70716-138	Screw
139	70716-139	Table insert
140	70716-140	Miter scale pointer
141	70716-141	Screw
142	70716-142	Rolled pin
143	70716-143	Lock boot
144	70716-144	Lock bolt
145	70716-145	Miter lock
146	70716-146	Screw
147	70716-147	Turntable bolt
148	70716-148	Turntable bolt cover
149	70716-149	Screw
150	70716-150	Detent plate
151	70716-151	Screw
152	70716-152	Screw
153	70716-153	Safety foot
154	70716-154	Support arm
155	70716-155	Base
156	70716-156	Rubber foot
157	70716-157	Nameplate rivet
158	70716-158	Miter scale
159	70716-159	Spring washer
160	70716-160	Screw
161	70716-161	Bolt knurled
162	70716-162	Screw
163	70716-163	Clamp
164	70716-164	Workpiece knob
165	70716-165	Knob
166	70716-166	Clamp arm
167	70716-167	Support pole
168	70716-168	Screw
169	70716-169	Washer
170	70716-170	Fence
171	70716-171	Dust collection bag

Limited two years warranty

WEN® Products is committed to build tools that are dependable for years. Our warranties are consistent with this commitment and our dedication to quality

LIMITED WARRANTY OF WEN® CONSUMER POWER TOOLS PRODUCTS FOR HOME USE
GREAT LAKES TECHNOLOGIES, LLC ("Seller") warrants to the original purchaser only, that all WEN® consumer power tools will be free from defects in material or workmanship for a period of two (2) years from date of purchase. Ninety days for all WEN® products, if the tool is used for professional use.

SELLER'S SOLE OBLIGATION AND YOUR EXCLUSIVE REMEDY under this Limited Warranty and, to the extent permitted by law, any warranty or condition implied by law, shall be the repair or replacement of parts, without charge, which are defective in material or workmanship and which have not been misused, carelessly handled, or misrepaired by persons other than Seller or Authorized Service Center. To make a claim under this Limited Warranty, you must make sure to keep a copy of your proof of purchase that clearly defines the Date of Purchase (month and year) and the Place of Purchase. Place of purchase must be a direct vendor of Great Lakes Technologies, LLC. Third party vendors such as garage sales, pawn shops, resale shops, or any other secondhand merchant void the warranty included with this product. Contact techsupport@wenproducts.com or [1-800-232-1195](tel:1-800-232-1195) to make arrangements for repairs and transportation.

When returning a product for warranty service, the shipping charges must be prepaid by the purchaser. The product must be shipped in its original container (or an equivalent), properly packed to withstand the hazards of shipment. The product must be fully insured with a copy of the warranty card and/or the proof of purchase enclosed. There must also be a description of the problem in order to help our repairs department diagnose and fix the issue. Repairs will be made and the product will be returned and shipped back to the purchaser at no charge.

THIS LIMITED WARRANTY DOES NOT APPLY TO ACCESSORY ITEMS THAT WEAR OUT FROM REGULAR USAGE OVER TIME INCLUDING BELTS, BRUSHES, BLADES, ETC.

ANY IMPLIED WARRANTIES SHALL BE LIMITED IN DURATION TO TWO (2) YEARS FROM DATE OF PURCHASE. SOME STATES IN THE U.S., SOME CANADIAN PROVINCES DO NOT ALLOW LIMITATIONS ON HOW LONG AN IMPLIED WARRANTY LASTS, SO THE ABOVE LIMITATION MAY NOT APPLY TO YOU.

IN NO EVENT SHALL SELLER BE LIABLE FOR ANY INCIDENTAL OR CONSEQUENTIAL DAMAGES (INCLUDING BUT NOT LIMITED TO LIABILITY FOR LOSS OF PROFITS) ARISING FROM THE SALE OR USE OF THIS PRODUCT. SOME STATES IN THE U.S. AND SOME CANADIAN PROVINCES DO NOT ALLOW THE EXCLUSION OR LIMITATION OF INCIDENTAL OR CONSEQUENTIAL DAMAGES, SO THE ABOVE LIMITATION OR EXCLUSION MAY NOT APPLY TO YOU.

THIS LIMITED WARRANTY GIVES YOU SPECIFIC LEGAL RIGHTS, AND YOU MAY ALSO HAVE OTHER RIGHTS WHICH VARY FROM STATE TO STATE IN THE U.S., PROVINCE TO PROVINCE IN CANADA AND FROM COUNTRY TO COUNTRY.

THIS LIMITED WARRANTY APPLIES ONLY TO PORTABLE ELECTRIC TOOLS, BENCH POWER TOOLS, OUTDOOR POWER EQUIPMENT AND PNUMATIC TOOLS SOLD WITHIN THE UNITED STATES OF AMERICA, CANADA AND THE COMMONWEALTH OF PUERTO RICO. FOR WARRANTY COVERAGE WITHIN OTHER COUNTRIES, CONTACT THE WEN® CUSTOMER SUPPORT.



WWW.WENPRODUCTS.COM