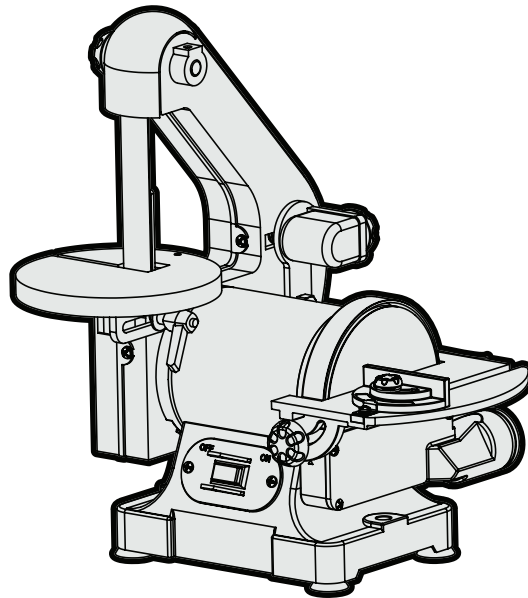




MODEL 6515, 6515T

1" X 30" BELT SANDER WITH 5" SANDING DISC



For replacement parts visit
WENPRODUCTS.COM

IMPORTANT:

Your new tool has been engineered and manufactured to WEN's highest standards for dependability, ease of operation, and operator safety. When properly cared for, this product will supply you years of rugged, trouble-free performance. Pay close attention to the rules for safe operation, warnings, and cautions. If you use your tool properly and for its intended purpose, you will enjoy years of safe, reliable service.



NEED HELP? CONTACT US!

Have product questions? Need technical support?
Please feel free to contact us at:



800-232-1195 (M-F 8am-5pm CST)



techsupport@wenproducts.com



WENPRODUCTS.COM

NOTICE: Please refer to wenproducts.com for the most up-to-date instruction manual.

TABLE OF CONTENTS

Specifications.....	2
Introduction	3
General Safety Rules	4
Specific Safety Rules for the Belt/Disc Sander.....	6
Electrical Information	8
Know Your Belt/Disc Sander.....	9
Assembly & Adjustments	10
Operation	15
Maintenance.....	16
Troubleshooting Guide	18
Exploded View & Parts List	19
Warranty Statement.....	21


SPECIFICATIONS

Model Numbers	6515, 6515T
Motor	120V, 60Hz, 2.3A
Disc Speed	3450 RPM (no load)
Disc Diameter	5 inches
Belt Speed	3160 FPM (no load)
Belt Size	1 x 30 inches
Belt/Disc Dust Port Size	1.7 inches (outer), 1.5 inches (inner)
Dust Port Adapter Size	2.25 inches (outer), 2 inches (inner)
Included Sanding Disc	80 Grit
Included Sanding Belt	120 Grit
Weight	16 lbs
Product Dimensions	14 x 11.5 x 15.5 inches

Replacement sanding belts and sanding discs can be purchased from **wenproducts.com** by searching the following model numbers. For 400-grit, 240-grit, 180-grit, or 120-grit sanding belts search model numbers 6515SP400, 6515SP240, 6515SP180, or 6515SP120 respectively. For 120-grit, 240-grit, or 80-grit sanding discs search model numbers 5SD120, 5SD240, or 5SD80 respectively.

INTRODUCTION

Thanks for purchasing the WEN Belt/Disc Sander. We know you are excited to put your tool to work, but first, please take a moment to read through the manual. Safe operation of this tool requires that you read and understand this operator's manual and all the labels affixed to the tool. This manual provides information regarding potential safety concerns, as well as helpful assembly and operating instructions for your tool.


 **SAFETY ALERT SYMBOL:** Indicates danger, warning, or caution. The safety symbols and the explanations with them deserve your careful attention and understanding. Always follow the safety precautions to reduce the risk of fire, electric shock and personal injury. However, please note that these instructions and warnings are not substitutes for proper accident prevention measures.

NOTE: The following safety information is not meant to cover all possible conditions and situations that may occur. WEN reserves the right to change this product and specifications at any time without prior notice.

Keep this manual available to all users during the entire life of the tool and review it frequently to maximize safety for both yourself and others.

GENERAL SAFETY RULES

**Safety is a combination of common sense, staying alert and knowing how your item works.
SAVE THESE SAFETY INSTRUCTIONS.**

 **WARNING:** Read and understand all warnings, cautions and operating instructions before using this tool. Failure to follow all instructions listed below may result in personal injury and tool damage.

WORK AREA SAFETY

1. Keep work area clean and well lit. Cluttered or dark areas invite accidents.
2. Do not operate power tools in explosive atmospheres, such as in the presence of flammable liquids, gases or dust. Power tools create sparks which may ignite the dust or fumes.
3. Do not expose power tools to rain or wet conditions. Water entering a power tool will increase the risk of electric shock.
4. Keep children and bystanders away while operating a power tool. Distractions can cause you to lose control.

ELECTRICAL SAFETY

1. Power tool plugs must match the outlet. Never modify the plug in any way. Do not use any adapter plugs with earthed (grounded) power tools. Unmodified plugs and matching outlets will reduce risk of electric shock.
2. Avoid body contact with earthed or grounded surfaces such as pipes, radiators, ranges and refrigerators. There is an increased risk of electric shock if your body is earthed or grounded.
3. Do not abuse the cord. Never use the cord for carrying, pulling or unplugging the power tool. Keep cord away from heat, oil, sharp edges or moving parts. Damaged or entangled cords increase the risk of electric shock.
4. If operating a power tool in a damp location is unavoidable, use a ground fault circuit interrupter (GFCI) protected supply. Use of a GFCI reduces the risk of electric shock.

PERSONAL SAFETY

1. Stay alert, watch what you are doing and use common sense when operating a power tool. Do not use a power tool while you are tired or under the influence of drugs, alcohol or medication. A moment of inattention while operating power tools may result in serious personal injury.
2. Use personal protective equipment. Always wear eye protection. Protective equipment such as a dust mask, non-skid safety shoes and hearing protection used for appropriate conditions will reduce the risk of personal injury.
3. Dress properly. Do not wear loose clothing or jewelry. Keep your hair and clothing away from moving parts. Loose clothes, jewelry or long hair can be caught in moving parts.

GENERAL SAFETY RULES

4. Prevent unintentional starting. Ensure the switch is in the off-position before connecting to power source and/or battery pack, picking up or carrying the tool. Carrying power tools with your finger on the switch or energizing power tools that have the switch on invites accidents.
5. Remove any adjusting key or wrench before turning the power tool on. A wrench or a key left attached to a rotating part of the power tool may result in personal injury.
6. Do not overreach. Keep proper footing and balance at all times. This enables better control of the power tool in unexpected situations.
7. If devices are provided for the connection of dust extraction and collection facilities, ensure these are connected and properly used. Use of dust collection can reduce dust-related hazards.


POWER TOOL USE AND CARE

1. Do not force the power tool. Use the correct power tool for your application. The correct power tool will do the job better and safer at the rate for which it was designed.
2. Do not use the power tool if the switch does not turn it on and off. Any power tool that cannot be controlled with the switch is dangerous and must be repaired.
3. Disconnect the plug from the power source and/or the battery pack from the power tool before making any adjustments, changing accessories, or storing power tools. Such preventive safety measures reduce the risk of starting the power tool accidentally.
4. Store idle power tools out of the reach of children and do not allow persons unfamiliar with the power tool or these instructions to operate the power tool. Power tools are dangerous in the hands of untrained users.
5. Maintain power tools. Check for misalignment or binding of moving parts, breakage of parts and any other condition that may affect the power tool's operation. If damaged, have the power tool repaired before use. Many accidents are caused by poorly maintained power tools.
6. Use the power tool, accessories and tool bits etc. in accordance with these instructions, taking into account the working conditions and the work to be performed. Use of the power tool for operations different from those intended could result in a hazardous situation.

SERVICE

Have your power tool serviced by a qualified repair person using only identical replacement parts. This will ensure that the safety of the power tool is maintained.

SPECIFIC RULES FOR THE BELT/DISC SANDER

 **WARNING:** Do not let comfort or familiarity with the product replace strict adherence to product safety rules. Failure to follow the safety instructions may result in serious personal injury.

1. **TOOL PURPOSE.** This sander is designed to sand wood or wood-like products only. Sanding or grinding other materials could result in fire, injury, or damage to the workpiece. Using the machine for any other purpose for which it is not designed may result in serious injuries, machine damage and voiding of the warranty.

2. **MACHINE MOUNTING.** For operational safety, the sander must be securely mounted onto a flat and stable surface or stand.

3. **PERSONAL SAFETY.**

- Always wear ANSI Z87.1-approved glasses with side shields, hearing protection, and a dust mask.
- DO NOT wear loose clothing or jewelry, as they might get drawn in by the tool. Tie back long hair.
- DO NOT wear gloves while operating this machine.

4. **ELECTRIC CORDS.** Keep cords away from heat, oil, sharp edges, and moving parts of the tool. Have an electrician replace or repair damaged or worn cords immediately.

5. **TOOL & ACCESSORIES INSPECTION.** Before operation, check the tool and accessories for any damage or missing parts. Do not use the tool if any part is missing or damaged. Make sure all adjustments are correct and all connections are tight. Keep all guards in place.

6. **SANDING ACCESSORIES.**

- Do not use sanding belts or discs that are damaged, torn, or loose. Replace worn or damaged sanding belts and discs before operation. Use only the correct size sanding belt and disc.
- Always unplug the unit before making adjustments or changing sandpaper, or other parts.
- Make sure the sanding belt is installed in the correct direction. See the directional arrow on the back of the belt. Always have the tracking adjusted properly so the belt does not run off the pulleys.

7. **WORKPIECE REQUIREMENTS.**

- Only sand workpieces sturdy enough to withstand the force of the sanding belt and disc.
- Inspect the workpiece for imperfections, nails, staples, etc. before sanding. Never sand stock that has questionable imperfections or embedded foreign objects.
- When sanding a large workpiece, provide additional support. Do not sand with the workpiece unsupported.
- Sand only one workpiece at a time.

8. **PREVENTING ACCIDENTAL STARTING.** Make sure the power switch is in the OFF position prior to plugging in the machine. Always make sure the power switch is in the OFF position and the machine is unplugged when doing any cleaning, assembly, setup operations, or when not in use.

9. **DO NOT TOUCH MOVING PIECES.** Keep hands away from the belt/disc during operation. If cleaning is necessary, use a brush to remove sawdust and chips instead of your hands.

10. Remove scrap pieces and other objects from the table and sanding belt/disc before turning ON the sander.

SPECIFIC RULES FOR THE BELT/DISC SANDER

11. FEEDING THE WORKPIECE.

- Allow the belt/disc to reach full speed before feeding the workpiece. Do not turn on the machine while the sanding belt/disc is contacting the workpiece.
- Always sand on the downward side of the sanding disc when using the disc sander. Sanding on the upward side of the disc can cause the workpiece to fly out of position, resulting in injury.
- Always maintain a minimum clearance of 1/16 inch (1.6 mm) or less between the table or backstop and the sanding belt or disc.
- Firmly hold the workpiece and lightly ease it against the sandpaper. Do not forcefully jam a workpiece into the sanding surface.

12. Do not operate this tool until it is completely assembled and installed according to the instructions.

13. Never perform layout, assembly or set-up work on the table while the sander is operating.

14. After turning off the sander, wait until the belt/disc comes to a complete stop before touching the workpiece.

15. Always turn off and unplug the machine before cleaning, making adjustments or changing attachments. Accidental start-ups may occur if the tool is plugged in during an accessory change or adjustment.

16. CLEANING. Never use solvents to clean plastic parts. Solvents could dissolve or otherwise damage the material. Use only a soft damp cloth to clean plastic parts.

17. REPLACEMENTS. Should any component of your sander be missing/damaged or fail in any way, shut off the switch and remove the plug from power supply outlet. Replace the missing, damaged, or failed parts using only identical replacement parts before resuming operation.

CALIFORNIA PROPOSITION 65 WARNING

Some dust created by power sanding, sawing, grinding, drilling, and other construction activities may contain chemicals, including lead, known to the State of California to cause cancer, birth defects, or other reproductive harm. Wash hands after handling. Some examples of these chemicals are:

- Lead from lead-based paints.
- Crystalline silica from bricks, cement, and other masonry products.
- Arsenic and chromium from chemically treated lumber.

Your risk from these exposures varies depending on how often you do this type of work. To reduce your exposure to these chemicals, work in a well-ventilated area with approved safety equipment such as dust masks specially designed to filter out microscopic particles.

These safety instructions can't possibly warn of every scenario that may arise with this tool, so always make sure to stay alert and use common sense during operation.

ELECTRICAL INFORMATION

GROUNDING INSTRUCTIONS

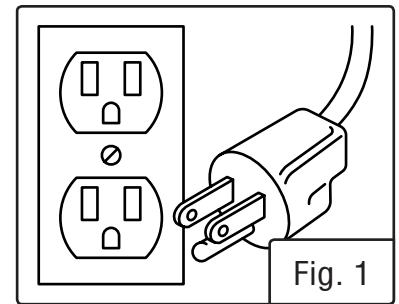
IN THE EVENT OF A MALFUNCTION OR BREAKDOWN, grounding provides the path of least resistance for an electric current and reduces the risk of electric shock. This tool is equipped with an electric cord that has an equipment grounding conductor and a grounding plug. The plug **MUST** be plugged into a matching outlet that is properly installed and grounded in accordance with ALL local codes and ordinances.

DO NOT MODIFY THE PLUG PROVIDED. If it will not fit the outlet, have the proper outlet installed by a licensed electrician. Make certain that the outlet in question is properly grounded, if you are unsure have a licensed electrician check the outlet.

IMPROPER CONNECTION of the equipment grounding conductor can result in electric shock. The conductor with the green insulation (with or without yellow stripes) is the equipment grounding conductor. If repair or replacement of the electric cord or plug is necessary, **DO NOT** connect the equipment grounding conductor to a live terminal.

CHECK with a licensed electrician or service personnel if you do not completely understand the grounding instructions or whether the tool is properly grounded.

USE ONLY THREE-WIRE EXTENSION CORDS that have three-pronged plugs and outlets that accept the tool's plug as shown in Fig. 1. Repair or replace a damaged or worn cord immediately.



⚠ WARNING: This tool is for indoor use only. Do not expose to rain or use in damp locations.

GUIDELINES AND RECOMMENDATIONS FOR EXTENSION CORDS

When using an extension cord, be sure to use one heavy enough to carry the current your product will draw. An undersized cord will cause a drop in line voltage resulting in loss of power and overheating. The table below shows the correct size to be used according to cord length and ampere rating. When in doubt, use a heavier cord. The smaller the gauge number, the heavier the cord.

AMPERAGE	REQUIRED GAUGE FOR EXTENSION CORDS			
	25 ft.	50 ft.	100 ft.	150 ft.
2.3A	18 gauge	16 gauge	16 gauge	14 gauge

1. Examine extension cord before use. Make sure your extension cord is properly wired and in good condition. Always replace a damaged extension cord or have it repaired by a qualified person before using it.

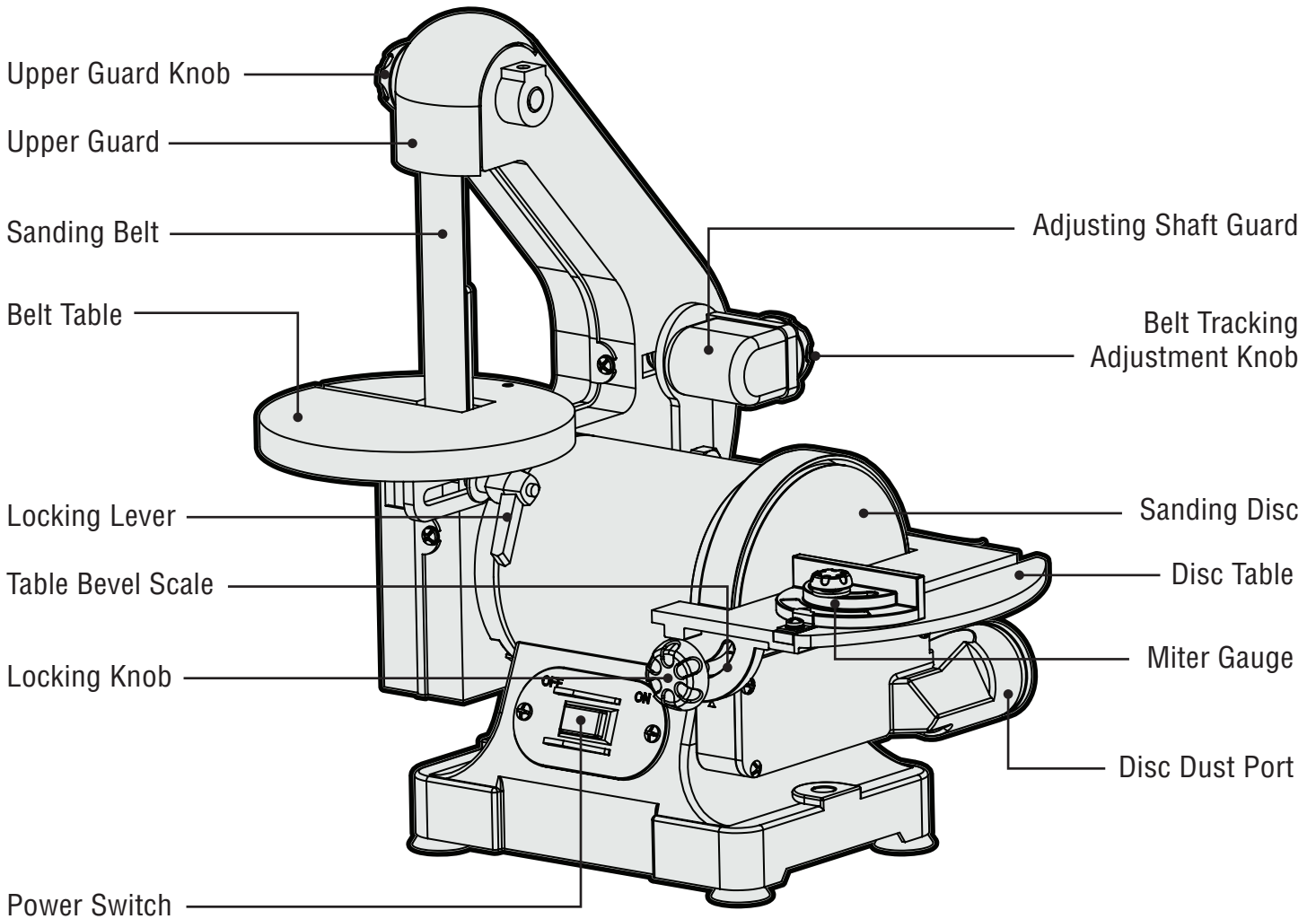
2. Do not abuse extension cord. Do not pull on cord to disconnect from receptacle; always disconnect by pulling on plug. Disconnect the extension cord from the receptacle before disconnecting the product from the extension cord. Protect your extension cords from sharp objects, excessive heat and damp/wet areas.

3. Use a separate electrical circuit for your tool. This circuit must not be less than a 12-gauge wire and should be protected with a 15A time-delayed fuse. Before connecting the motor to the power line, make sure the switch is in the OFF position and the electric current is rated the same as the current stamped on the motor nameplate. Running at a lower voltage will damage the motor.

KNOW YOUR BELT/DISC SANDER

TOOL PURPOSE

Belt and disc sanders shape and finish wood and a variety of other materials. The belt and disc rotates to help smooth workpiece surfaces quickly and evenly. Refer to the diagram below to become familiarized with the parts and controls of your belt/disc sander.



CLEANING THE WORK TABLE SURFACE

Your sander's work table comes protected with a layer of anti-rust coating. Clean the rust-protected surfaces using a soft cloth, moistened with kerosene. Do not use gasoline, or cellulose-based solvents such as paint thinner or lacquer thinner, as these will damage the painted surfaces.

After cleaning, apply a light coat of good-quality paste wax to the table to prevent rust. Wipe all parts thoroughly with a clean, dry cloth.

ASSEMBLY & ADJUSTMENTS

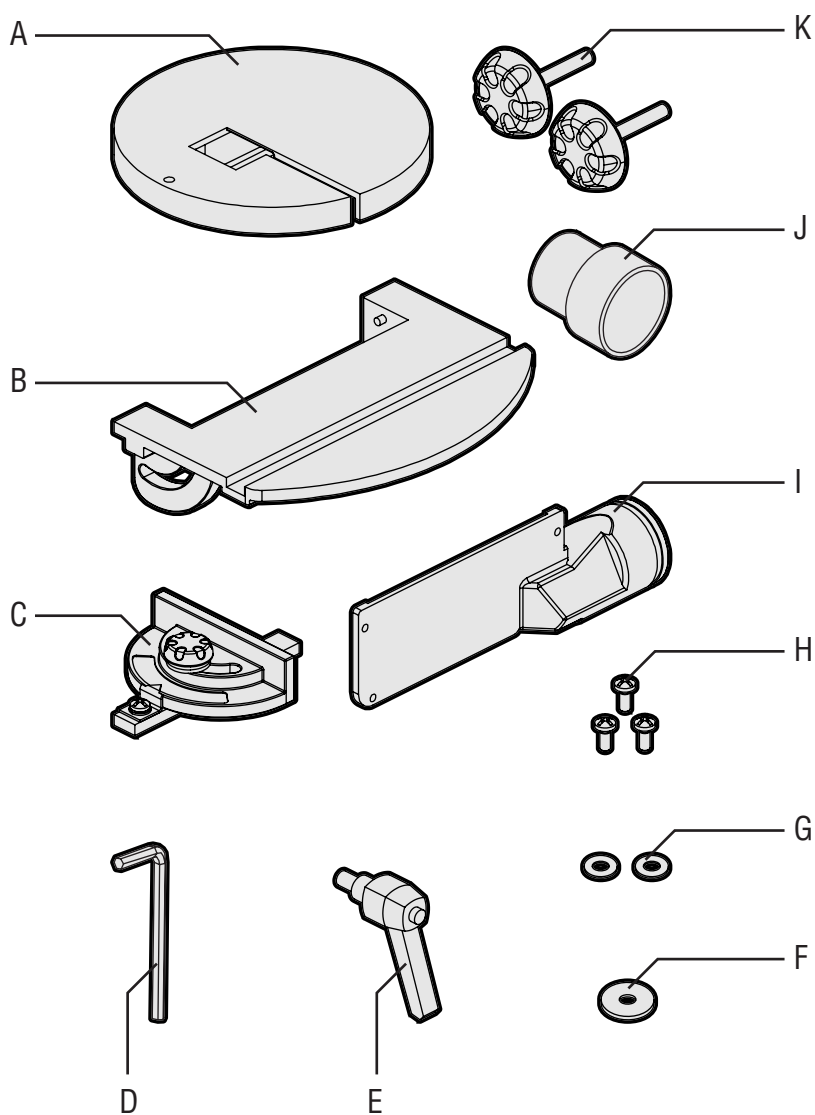
UNPACKING

With the help of a friend or trustworthy foe, carefully remove the belt/disc sander from the packaging. Make sure to take out all contents and accessories. Do not discard the packaging until the belt/disc sander is completely assembled.

Before using the wood lathe, you must assemble the unit using the instructions in this section. Check your packing list against the diagram below. If any part is damaged or missing, please contact our customer service at (800) 232-1195, M-F 8-5 CST or email us at techsupport@wenproducts.com.

PACKING LIST

- A. Disc Table (1)
- B. Belt Table (1)
- C. Miter Gauge Assembly (1)
- D. 3mm Hex Wrench (1)
- E. Belt Table Locking Lever (1)
- F. Washer, Locking Lever(1)
- G. Washers, Disc Table Knob (2)
- H. Screws, Disc Dust Port (3)
- I. Disc Dust Port (1)
- J. Belt Dust Port Adapter (1)
- K. Disc Table Locking Knobs (2)



The items listed below are not included but are required for either assembly or adjustment.

- Square
- Dust Collection System



WARNING: Do not plug in or turn on the tool until it is fully assembled according to the instructions. Failure to follow the safety instructions may result in serious personal injury.

ASSEMBLY & ADJUSTMENTS

⚠ WARNING: Do not plug in or turn on the tool until it is fully assembled according to the instructions. Failure to follow the safety instructions may result in serious personal injury.

NOTE: Before making any adjustments check that the power switch is in the OFF position and that the plug is disconnected from the power source.

INSTALL SANDING BELT TABLE

1. Pass the sanding belt through the slot on the belt table (Fig. 2 - 1) and position the table on the machine.

2. Secure the belt table into position using the locking lever (Fig. 2 - 2). **NOTE:** You will have to follow the instructions below to install the locking lever before you can use it to secure the belt table.

Install the locking lever:

1. Gather the locking lever assembly (Fig. 3 - 1) and washer (Fig. 3 - 2).

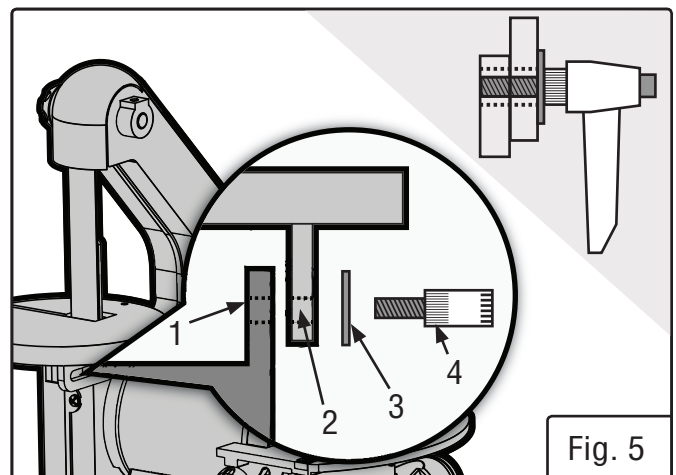
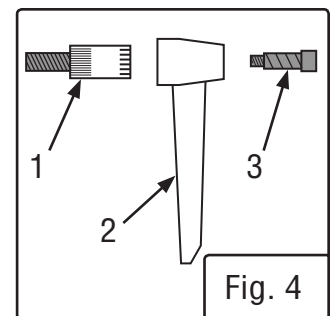
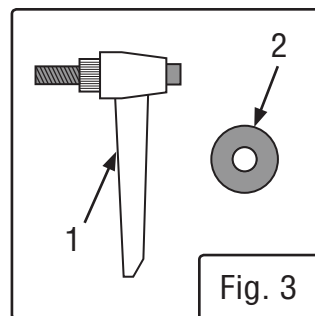
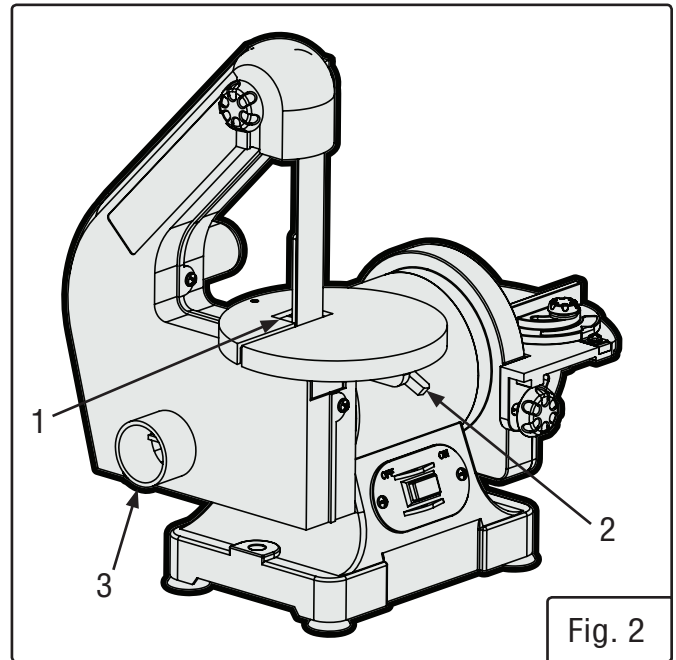
2. Disassemble the locking lever into the three parts shown in Fig. 4. Using the 3mm hex wrench, remove the socket head cap screw with spring (Fig. 4 - 3) from the lever handle (Fig. 4 - 2). This will release the lever base (Fig. 4 - 1).

3. Align the slot in the belt table (Fig. 5 - 2) with the tapped hole (Fig. 5 - 1) in the housing located underneath the table.

4. By hand, screw the lever base (Fig. 5 - 4) and washer (Fig. 5 - 3) into the tapped hole (Fig. 5 - 1), turning clockwise.

5. Place the lever handle (Fig. 4 - 2) onto the tightened lever base (Fig. 5 - 4). Then, re-install the socket head cap screw and spring (Fig. 4 - 3) through the lever handle. Tighten using the 3mm hex wrench. See the final assembly in the top right-hand corner of Fig. 5.

NOTE: The lever is spring-loaded, and can be loosened and re-positioned to allow you to make adjustments to the table bevel, as desired. Always make sure the table is securely locked down before beginning to sand.



ASSEMBLY & ADJUSTMENTS

⚠ WARNING: Do not plug in or turn on the tool until it is fully assembled according to the instructions. Failure to follow the safety instructions may result in serious personal injury.

⚠ WARNING: Sanding operations are dusty and can produce particles that are harmful to your health. Always wear a dust mask and use an adequate dust collection system.

DUST COLLECTION

For optimal dust removal and minimal clean-up, this sander is equipped with two dust ports: one for the belt and one for the disc.

To connect the sanding belt dust port adapter:

1. Insert the belt dust port adapter into the dust port (p. 11, Fig. 2 - 3) on the left side of the sander. **NOTE:** it is not necessary to attach the sanding belt adapter.

To connect the sanding disc dust port:

1. Align the 3 holes on the sanding disc dust port with 3 holes located on the right side of the sander below the sanding disc. See Fig. 6.

2. Secure the disc dust port into position using the included 3 washers and screws.

To connect a dust collection system to the machine:

1. Fit a 1.5-inch dust hose (not included) over the onboard dust port on the side of the machine (belt or disc) to be used. Secure it with a hose clamp if needed (not included). Alternatively, use the included dust port adapter to attach a 2-1/4-inch dust hose (not included) to the machine. Use a hose clamp (not included) to secure the hose to the adapter if needed.

2. Tug the hose to make sure the fitting is tight. A tight fit is necessary for proper performance.

3. Connect the other end of the dust hose to the dust collection system of your choice. A dust port adapter (not included) may be needed, depending on the inlet size of your dust extractor. The onboard dust ports have an outer diameter of 1.5 inches, and an inner diameter of 1.4 inches.

INSTALL SANDING DISC TABLE

1. Hold the disc table at an upwards angle of 45°. Align the inner extrusions on the disc table with the slots on either side of the sanding disc (Fig. 6 - 1). Slide inwards then upwards.

2. Align the locking knobs with the holes on either side of the sanding disc (Fig. 7). Turn clockwise to secure the disc table into place.

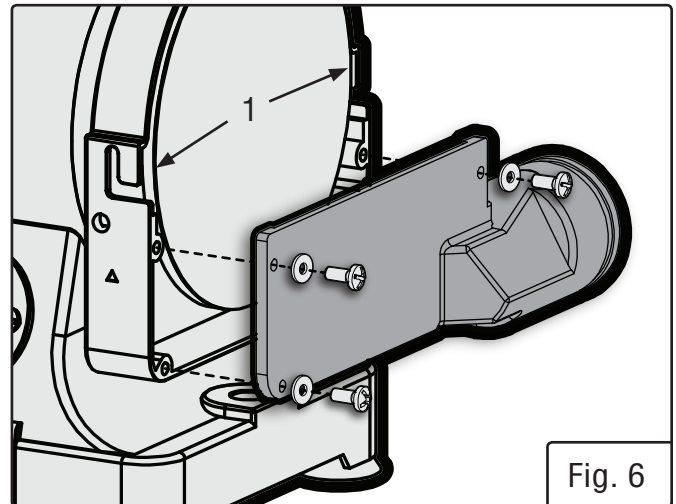


Fig. 6

NOTE: Failure to use a dust collection system will void the warranty on this item. You must use a dust collection system for the warranty to be valid.

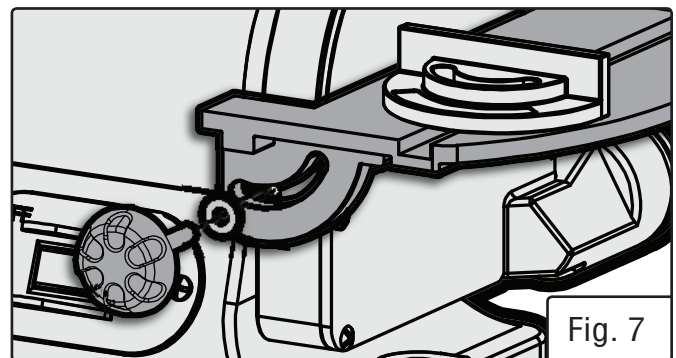


Fig. 7

ASSEMBLY & ADJUSTMENTS

⚠ WARNING: Do not plug in or turn on the tool until it is fully assembled according to the instructions. Failure to follow the safety instructions may result in serious personal injury.

UPPER GUARD

Install the upper guard (Fig. 8 - 2) onto the belt sanding arm using the upper guard locking knob (Fig. 8 - 3) to secure it in place.

BELT TRACKING

Belt tracking means adjusting the belt to ride in the center of the rollers so that it runs true (does not wander left or right during operation). The sander is equipped with a belt tracking adjustment knob (Fig. 8 - 1).

To adjust the belt tracking:

1. Remove the upper guard locking knob (Fig. 8 - 3) and the upper guard (Fig. 8 - 2).

2. While holding the side cover in place, remove the three screws and washers holding the cover in place (Fig. 8 - 5, Fig. 9 - 1 & 2). Remove the side cover.

3. Rotate the sanding disc with your hand. This causes the belt to slowly rotate. Watch to see if it starts to move left or right (toward or away from the body of the sander). If the belt wanders from the belt rollers, use the belt tracking adjustment knob (Fig. 8 - 1) to adjust the angle of the rollers. Keep rotating the disc with one hand while turning the belt tracking knob until the belt rides in the center of the rollers.

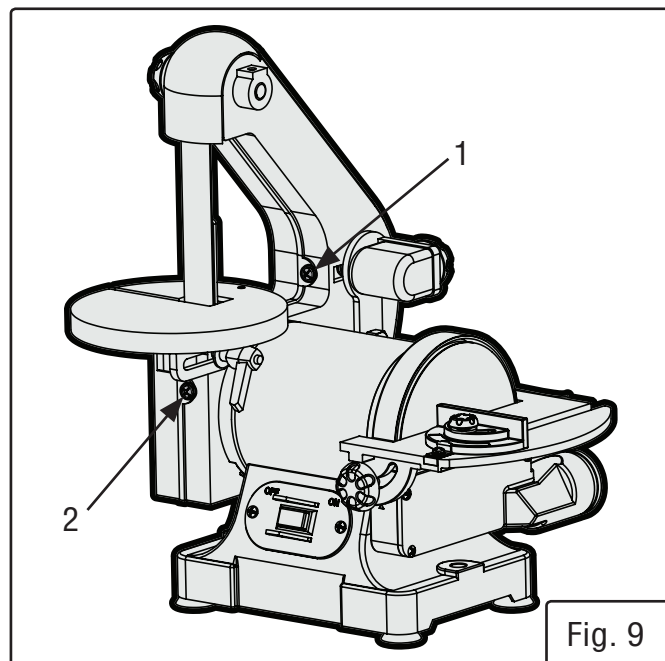
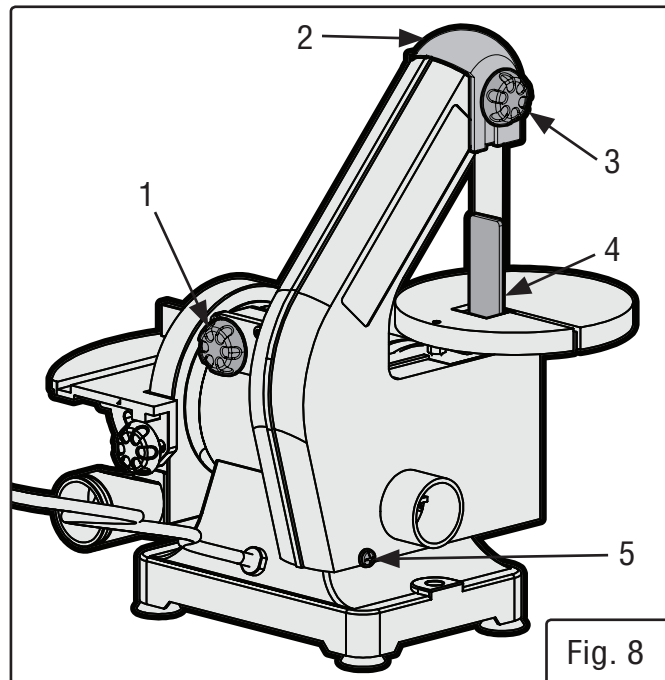
3. Re-install the side cover, upper guard, and upper guard locking knob. Connect the cord to the power source. Turn the sander ON and then quickly OFF to verify that the belt is riding true in the center of the rollers. If it does not, repeat the above steps to adjust the belt tracking.

SQUARING THE TABLE

The best results are obtained when the tables are square (exactly 90°) with the belt and the disc sanding surfaces.

1. Make sure the switch is in the OFF position and the cord is disconnected from the power source.

2. Loosen the locking knobs for the disc table or the locking lever for the belt table. Place a square (not included) on the table and adjust the table until it is square with the belt and the disc. Retighten the locking knobs/lever.



ASSEMBLY & ADJUSTMENTS

TESTING THE MACHINE

Once you have properly assembled the machine, perform a test run to see that everything powers up and runs correctly.

All of the tools for assembly and adjustments should be removed and cleared away before turning on the machine. During the test run, make sure the ON/OFF switch along with all safety features are working properly before applying a load.

After connecting the machine to the correct power source, stand to the side of the machine and power it on. During the test run, take note of any unusual noises, vibrations or rattling. If any of these occur, turn off the machine and unplug it from the power source immediately. Check all the parts you have assembled and try to find the problem.

BELT SANDER PLATEN

The platen (p. 13, Fig. 8 - 4) is the steel support plate that is positioned behind the sanding belt and underneath the sanding belt table. It rises from the body of the sander to a point several inches above the belt table's surface. The platen provides the necessary support to the workpiece during sanding operations. It should be adjusted so that it is almost touching the back of the sanding belt.

To adjust the platen:

1. Make sure the switch is in the OFF position and the cord is disconnected from the power source.
2. You will need to remove the locking lever and belt table to access the hex screws that hold the platen in place.
3. Loosen the two hex screws (Fig. 10) that secure the platen to the sander's frame. Adjust the platen so that it is almost touching the back of the belt. Re-tighten both hex screws.

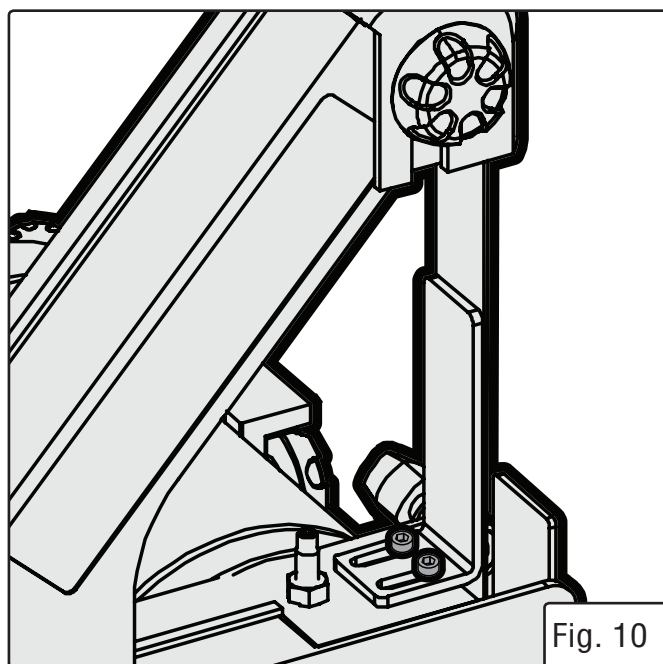


Fig. 10


OPERATION

ON/OFF SWITCH

1. To start the sander, push the switch to the ON position.
2. To stop the sander, push switch to the OFF position.


SURFACE SANDING ON THE BELT

Hold the workpiece firmly with both hands. Keep fingers away from sanding belt. Keep the workpiece flat against the belt table and move it slowly across the sanding belt. Apply enough pressure to remove material; excessive pressure will reduce sanding efficiency.

 **WARNING:** Use extra caution when sanding very thin pieces, and apply only enough pressure to allow the sanding belt to remove the material.

END SANDING AND OUTSIDE CURVE SANDING ON THE DISC

Use for sanding the ends of small and narrow workpieces and outside curved edges. Always work on the left side of the disc (downward rotation side), holding the workpiece firmly with light pressure against the sanding disc.

 **WARNING:** To avoid personal injury and/or damage to the workpiece, become familiar with the rotation of the belt and disc sanding surfaces.

The disc sander rotates counterclockwise, downward toward the table on the left side of the disc and upward from the table on the right side of the disc. Always use the left side of the disc; using the right side of the disc could cause the workpiece to fly up or kickback and could result in injury.


MITER GAUGE - DISC SANDER


A miter gauge is supplied with your sander, and can be used on the disc table. The miter gauge head can be set anywhere up to 45° (right or left) by loosening the locking knob, setting the miter gauge head to the desired angle, and retightening the locking knob.

Use of the miter gauge is recommended for sanding small end surfaces on the sanding disc.

Note: Always move the workpiece across the sanding disc from the center of the disc to the left side, and be sure to hold the workpiece down tightly onto the table surface.

MAINTENANCE

 **WARNING:** To avoid accidents, turn OFF and unplug the tool from the electrical outlet before cleaning, adjusting, or performing any maintenance work.

 **WARNING:** Any attempt to repair or replace electrical parts on this tool may be hazardous. Servicing of the tool must be performed by a qualified technician. When servicing, use only identical WEN replacement parts. Use of other parts may be hazardous or induce product failure.

ROUTINE INSPECTION

Before each use, inspect the general condition of the tool. If any of these following conditions exist, do not use until parts are replaced or the sander is properly repaired.

Check for:

- Loose hardware or improper mounting,
- Misalignment or binding of moving parts,
- Damaged cord/electrical wiring,
- Cracked or broken parts, and
- Any other condition that may affect its safe operation

CLEANING & STORAGE

1. After every operation, use a vacuum to remove dust and chips from the tool surfaces, motor housing and work area. Keep the ventilation openings free from dust and debris to prevent the motor from overheating.
2. Wipe the tool surfaces clean with a soft cloth or brush. Make sure water does not get into the tool.
3. Store the tool in a clean and dry place away from the reach of children. Store sanding accessories away from extremely hot/dry temperatures.

NOTE: Most plastics are susceptible to damage from various types of commercial solvents. Do not use any solvents or cleaning products that could damage the plastic parts. Some of these include but are not limited to: gasoline, carbon tetrachloride, chlorinated cleaning solvents, and household detergents that contain ammonia.

LUBRICATION

All ball bearings are sealed and permanently lubricated. No further lubrication is required.

PRODUCT DISPOSAL

Used power tools should not be disposed of together with household waste. This product contains electronic components that should be recycled. Please take this product to your local recycling facility for responsible disposal and to minimize its environmental impact.

MAINTENANCE

⚠ WARNING: To avoid accidents, turn OFF and unplug the tool from the electrical outlet before cleaning, adjusting, or performing any maintenance work.

⚠ WARNING: Any attempt to repair or replace electrical parts on this tool may be hazardous. Servicing of the tool must be performed by a qualified technician. When servicing, use only identical WEN replacement parts. Use of other parts may be hazardous or induce product failure.

SANDING BELT REPLACEMENT

1. Make sure the switch is in the OFF position and the cord is disconnected from the power source.

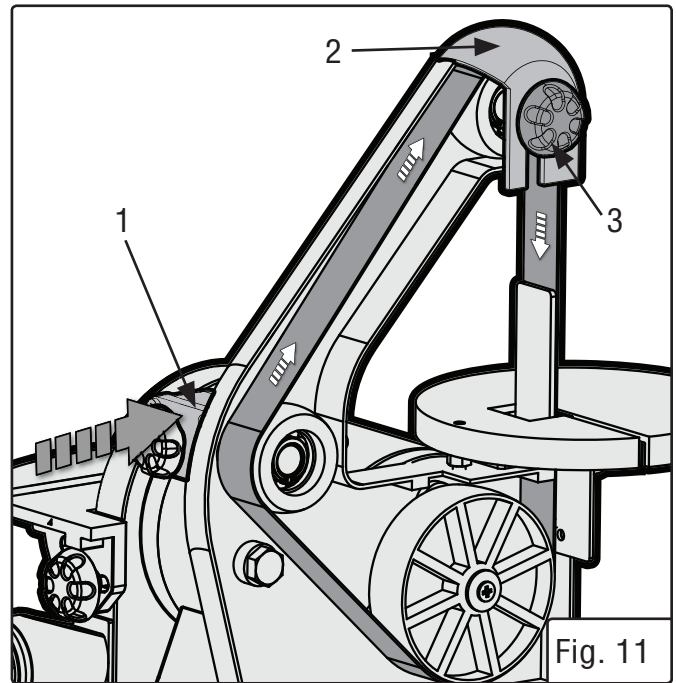
2. Remove the upper guard locking knob (Fig. 11 - 3) and the upper guard (Fig. 11 - 2).

3. While holding the side cover in place, remove the three screws and washers holding the cover in place (p. 13, Fig. 8 - 5, Fig. 9 - 1 & 2). Remove the side cover.

4. Push the shaft guard (Fig. 11 - 1) forward towards the work table. (This will shift the middle roller forwards and create slack in the belt.) While pushing the shaft guard forwards, slide the belt off of the rollers with your other hand.

5. Place a new belt on the rollers. Check that the arrow on the back of the new belt is pointed in the direction of travel.

7. Adjust tracking (instructions on p. 13) accordingly and reinstall the side cover, upper guard, and upper guard locking knob.



SANDING DISC REPLACEMENT

1. Make sure the switch is in the OFF position and the cord is disconnected from the power source.

2. Remove the sanding disc table by removing the two locking knobs on either side of the sanding disc. Remove the disc dust port by removing the three screws and washers. See figures on p. 12.

3. Remove the used sanding disc. A WEN Heat Gun (model number 2020 or HG1022) can help to soften up the adhesive to make for an easier, cleaner removal. Wipe the sanding disc plate clean.

4. Peel the backing from the new sanding disc, align the disc with the plate and press the sanding disc firmly on to the plate.

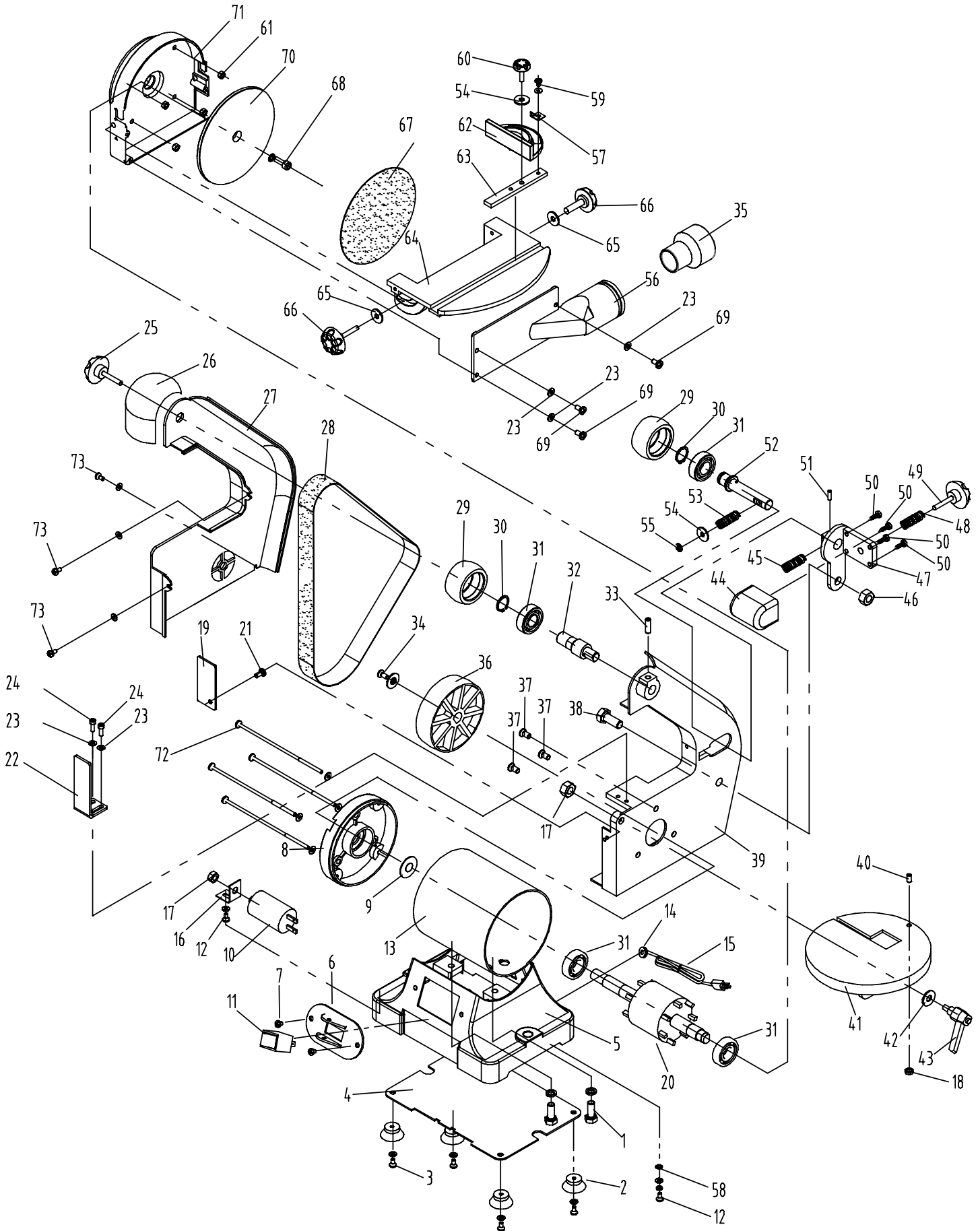
5. Reinstall the disc dust port, work table, and locking knobs.

TROUBLESHOOTING GUIDE

⚠ WARNING: Stop using the tool immediately if any of the following problems occur. Repairs and replacements should only be performed by an authorized technician. For any questions, please contact our customer service at (800) 232-1195, M-F 8-5 CST or email us at techsupport@wenproducts.com.

PROBLEM	CAUSE	SOLUTION
Sanding grains easily rub off belt or discs	Sanding belt/disc has been stored in an incorrect environment.	Store sanding accessories away from extremely hot/dry temperatures.
	Sanding belt/disc has been damaged or folded.	Store sanding accessories flat—not bent or folded.
Deep sanding grooves or scars in workpiece	Sanding belt/disc grit is too coarse for the desired finish.	Use a finer-grit sanding accessory.
	Workpiece sanded across the grain.	Sand with the grain of the wood.
	Too much sanding force on workpiece.	Reduce pressure on workpiece while sanding.
	Workpiece held still against belt-disc for too long.	Keep workpiece moving while sanding on the sanding accessory.
Sanding surface clogs quickly	Too much pressure against belt/disc	Reduce pressure on workpiece while sanding.
	Sanding softwood.	Use different stock/sanding accessories, or accept that this will happen and plan on cleaning or replacing belts/discs frequently.
Burns on workpiece	Sanding grit is too fine.	Use a coarser-grit sanding accessory.
	Using too much pressure.	Reduce sanding pressure on workpiece
	Work held still for too long.	Do not keep workpiece in one place for too long.
	Sanding disc/belt loaded with debris.	Clean or replace the disc or belt.
Sander does not turn on	Not plugged in to an electrical outlet	Connect the unit to an outlet.
	Defective power switch	Replace the switch.
	Motor, capacitor, or wiring problem	Contact customer service (1-800-232-1195) for assistance.
Motor will not start—fuses or circuit breakers tripping/blowing	Short circuit in line, cord or plug.	Inspect cord or plug for damaged insulation and shorted wires.
	Short circuit in motor or loose connections	Inspect all connections on motor for loose or shorted terminals and/or worn insulation.
	Incorrect fuses or circuit breakers in power line.	Install correct fuses or circuit breakers or switch tool to an appropriately sized circuit.
Motor overheats	Motor overloaded	Reduce load on motor (pressure on object being sanded)
	Extension cord too long with an insufficient gauge.	Utilize an extension cord of appropriate gauge and length or plug tool directly into outlet.

EXPLODED VIEW & PARTS LIST



EXPLODED VIEW & PARTS LIST

No.	Part No.	Description	Qty.
1	6515-001	Phillips Screw and Washer (M6x18)	2
2	6515-002	Rubber feet	4
3	6515-003	Phillips Screw and Washer (M4x12)	4
4	6515-004	Bottom Cover	1
5	6515-005	Base	1
6	6515-006	Switch Box	1
7	6515-007	Phillips Screw (M5x10)	2
8	6515-008	End Bell	1
9	6515-009	Spring Washer (35)	1
10	6515-010	Capacitor (25UF/300V)	1
11	6515-011	Switch	1
12	6515-012	Phillips Screw and Washer (M4x8)	2
13	6515-013	Stator	1
14	6515-014	Power Cord Clip (6P4)	1
15	6515-015	Power Cord With Plug	1
16	6515-016	Capacitor Bracket	1
17	6515-017	Hex Nut (M8)	2
18	6515-018	Hex Nut (M6)	1
19	6515-019	Belt Guard	1
20	6515-020	Rotor	1
21	6515-021	Phillips Screw (M4x8)	1
22	6515-022	Belt Stop Platen	1
23	6515-023	Washer (D4)	5
24	6515-024	Hex Screw (M4x10)	2
25	6515-025	Belt Guard Locking Knob	1
26	6515-026	Belt Guard	1
27	6515-027	Left Housing	1
28	6515SP120	120-Grit Sanding Belt (1"x30")	1
29	6515-028	Pulley	2
30	6515-029	Retaining Ring (D15)	2
31	6515-030	Bearing (6202)	4
32	6515-031	Shaft	1
33	6515-032	Hex Set Screw (M6x8)	1
34	6515-033	Phillips Screw and Washer (M5x16 Left)	1
35	6515-034	Adapter	1
36	6515-035	Drive Wheel	1

No.	Part No.	Description	Qty.
37	6515-036	Phillips Screw (M6x10)	3
38	6515-037	Hex Bolt (M10x25)	1
39	6515-038	Right Housing	1
40	6515-039	Hex Set Screw (M6x20)	1
41	6515-040	Belt Work Table	1
42	6515-041	Washer (D8)	1
43	6515-042	Belt Table Locking Lever	1
44	6515-043	Tracking Guard	1
45	6515-044	Guide Spring	1
46	6515-045	Locking Nut (M10)	1
47	6515-046	Tracking Plate	1
48	6515-047	Tracking Spring	1
49	6515-048	Tracking Adjustment Knob	1
50	6515-049	Phillips Set Screw (ST4.2x16)	4
51	6515-050	Pin (3x20)	1
52	6515-051	Tracking Shaft	1
53	6515-052	Tracking Spring	1
54	6515-053	Washer (D5)	2
55	6515-054	Split Washer (3.5)	1
56	6515-055	Dust Port	1
57	6515-056	Angle Indicator	1
58	6515-057	Lock Washer (D4)	1
59	6515-058	Phillips Screw (M4x6)	1
60	6515-059	Miter Gauge Knob	1
61	6515-060	Hex Nut (M4)	4
62	6515-061	Miter Gauge Rest	1
63	6515-062	Miter Gauge Rail	1
64	6515-063	Disc Work Table	1
65	6515-064	Washer (D6)	2
66	6515-065	Disc Table Locking Knob	2
67	5SD80	Disc Sand Paper 80 Grit (5")	1
68	6515-066	Hex Screw (M6x16)	1
69	6515-067	Phillips Screw (M4x8)	3
70	6515-068	Disc	1
71	6515-069	Disc Housing	1
72	6515-070	Phillips Screw and Washer (M4x153)	4
73	6515-071	Phillips Screw and Washer (M4x8)	3

WARRANTY STATEMENT

WEN Products is committed to building tools that are dependable for years. Our warranties are consistent with this commitment and our dedication to quality.

LIMITED WARRANTY OF WEN PRODUCTS FOR HOME USE

GREAT LAKES TECHNOLOGIES, LLC (“Seller”) warrants to the original purchaser only, that all WEN consumer power tools will be free from defects in material or workmanship during personal use for a period of two (2) years from date of purchase or 500 hours of use; whichever comes first. Ninety days for all WEN products if the tool is used for professional or commercial use. Purchaser has 30 days from the date of purchase to report missing or damaged parts.

SELLER’S SOLE OBLIGATION AND YOUR EXCLUSIVE REMEDY under this Limited Warranty and, to the extent permitted by law, any warranty or condition implied by law, shall be the replacement of parts, without charge, which are defective in material or workmanship and which have not been subjected to misuse, alteration, careless handling, misrepair, abuse, neglect, normal wear and tear, improper maintenance, or other conditions adversely affecting the Product or the component of the Product, whether by accident or intentionally, by persons other than Seller. To make a claim under this Limited Warranty, you must make sure to keep a copy of your proof of purchase that clearly defines the Date of Purchase (month and year) and the Place of Purchase. Place of Purchase must be a direct vendor of Great Lakes Technologies, LLC. Purchasing through third party vendors, including but not limited to garage sales, pawn shops, resale shops, or any other secondhand merchant, voids the warranty included with this product. Contact techsupport@wenproducts.com or 1-800-232-1195 with the following information to make arrangements: your shipping address, phone number, serial number, required part numbers, and proof of purchase. Damaged or defective parts and products may need to be sent to WEN before the replacements can be shipped out.

Upon the confirmation of a WEN representative, your product may qualify for repairs and service work. When returning a product for warranty service, the shipping charges must be prepaid by the purchaser. The product must be shipped in its original container (or an equivalent), properly packed to withstand the hazards of shipment. The product must be fully insured with a copy of the proof of purchase enclosed. There must also be a description of the problem in order to help our repairs department diagnose and fix the issue. Repairs will be made and the product will be returned and shipped back to the purchaser at no charge for addresses within the contiguous United States.

THIS LIMITED WARRANTY DOES NOT APPLY TO ITEMS THAT WEAR OUT FROM REGULAR USAGE OVER TIME, INCLUDING BELTS, BRUSHES, BLADES, BATTERIES, ETC. ANY IMPLIED WARRANTIES SHALL BE LIMITED IN DURATION TO TWO (2) YEARS FROM DATE OF PURCHASE. SOME STATES IN THE U.S. AND SOME CANADIAN PROVINCES DO NOT ALLOW LIMITATIONS ON HOW LONG AN IMPLIED WARRANTY LASTS, SO THE ABOVE LIMITATION MAY NOT APPLY TO YOU.

IN NO EVENT SHALL SELLER BE LIABLE FOR ANY INCIDENTAL OR CONSEQUENTIAL DAMAGES (INCLUDING BUT NOT LIMITED TO LIABILITY FOR LOSS OF PROFITS) ARISING FROM THE SALE OR USE OF THIS PRODUCT. SOME STATES IN THE U.S. AND SOME CANADIAN PROVINCES DO NOT ALLOW THE EXCLUSION OR LIMITATION OF INCIDENTAL OR CONSEQUENTIAL DAMAGES, SO THE ABOVE LIMITATION OR EXCLUSION MAY NOT APPLY TO YOU.

THIS LIMITED WARRANTY GIVES YOU SPECIFIC LEGAL RIGHTS, AND YOU MAY ALSO HAVE OTHER RIGHTS WHICH VARY FROM STATE TO STATE IN THE U.S., PROVINCE TO PROVINCE IN CANADA AND FROM COUNTRY TO COUNTRY.

THIS LIMITED WARRANTY APPLIES ONLY TO ITEMS SOLD WITHIN THE UNITED STATES OF AMERICA, CANADA AND THE COMMONWEALTH OF PUERTO RICO. FOR WARRANTY COVERAGE WITHIN OTHER COUNTRIES, CONTACT THE WEN CUSTOMER SUPPORT LINE. FOR WARRANTY PARTS OR PRODUCTS REPAIRED UNDER WARRANTY SHIPPING TO ADDRESSES OUTSIDE OF THE CONTIGUOUS UNITED STATES, ADDITIONAL SHIPPING CHARGES MAY APPLY.

**THANKS FOR
REMEMBERING**

