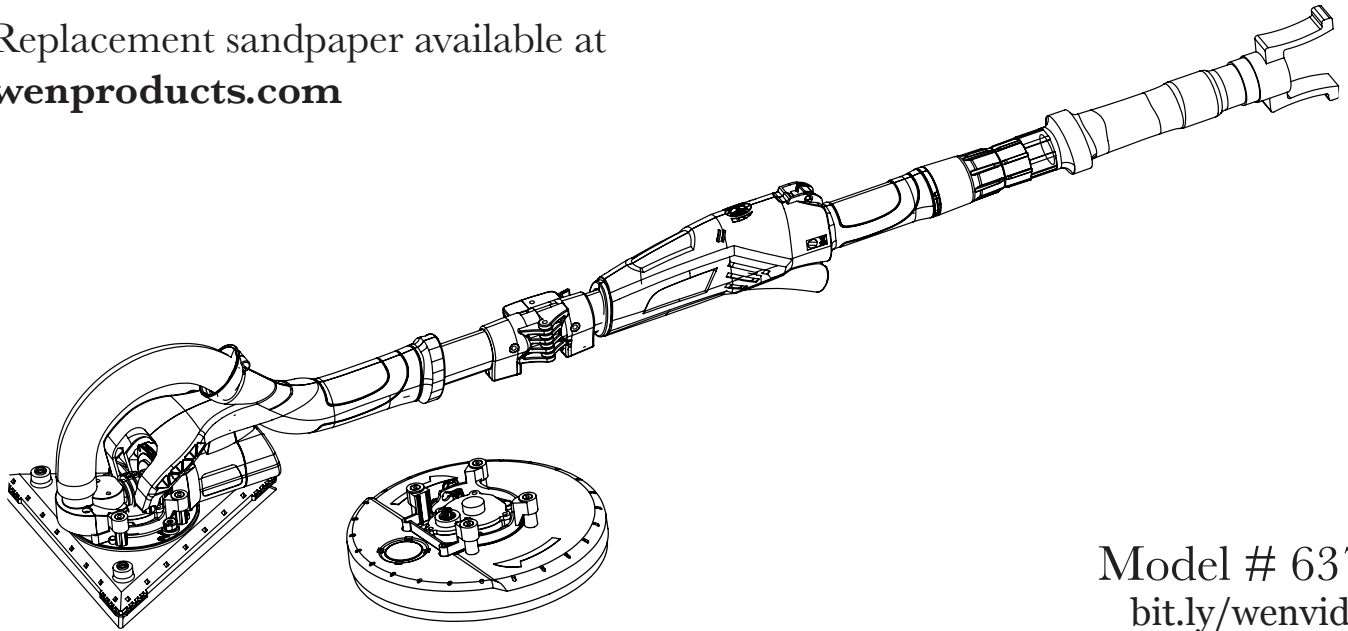




DUAL-HEAD DRYWALL SANDER

Replacement sandpaper available at
wenproducts.com



Model # 6377
bit.ly/wenvideo


IMPORTANT:

Your new tool has been engineered and manufactured to WEN's highest standards for dependability, ease of operation, and operator safety. When properly cared for, this product will supply you years of rugged, trouble-free performance. Pay close attention to the rules for safe operation, warnings, and cautions. If you use your tool properly and for intended purpose, you will enjoy years of safe, reliable service.



NEED HELP? CONTACT US!

Have product questions? Need technical support?
Please feel free to contact us at:

 **800-232-1195** (M-F 8AM-5PM CST)

 techsupport@wenproducts.com

 WENPRODUCTS.COM

TABLE OF CONTENTS

Technical Data	2
General Safety Rules	3
Electrical Information	4
Know Your Drywall Sander	5
Specific Safety Rules For the Drywall Sander	5
Assembly	6
Operation	7
Maintenance	7
Troubleshooting	8
Exploded View and Parts List	9
Warranty	11

TECHNICAL DATA

Model Number:	6377
Motor:	120 V, 60 Hz, 5A
Speed:	600 to 1500 RPM (no load)
Triangular Pad Size (along one edge):	11-1/4 inch
Triangular Sandpaper Size (along one edge):	11-1/4 inch
Triangular Sandpaper Model Number:	6377SP
Round Pad Diameter:	8-1/2 inch
Round Sandpaper Diameter:	9 inch
Round Sandpaper Model Number:	6369SP
Sanding Pad Grits:	60, 80, 120, 150, 180, 240
Tube Diameter:	1-1/4 inch
Net Weight:	17.4 pounds

GENERAL SAFETY RULES

Safety is a combination of common sense, staying alert and knowing how your item works.

SAVE THESE SAFETY INSTRUCTIONS.



WARNING: To avoid mistakes and serious injury, do not plug in your tool until the following steps have been read and understood.

1. **READ** and become familiar with this entire instruction manual. **LEARN** the tool's applications, limitations, and possible hazards.

AVOID DANGEROUS CONDITIONS

2. **DO NOT** use power tools in wet or damp areas or expose them to rain.

3. **DO NOT** use power tools in the presence of flammable liquids or gases.

4. **ALWAYS** keep your work area clean, uncluttered, and well lit. **DO NOT** work on floor surfaces that are slippery with sawdust or wax.

5. **CHILDPROOF THE WORKSHOP.** Use padlocks and master switches and **ALWAYS** remove starter keys on all tools.

6. **KEEP BYSTANDERS AT A SAFE DISTANCE** from the work area, especially when the tool is operating. **NEVER** allow children or pets near the tool.

DRESS FOR SAFETY

7. **DO NOT** wear loose clothing, gloves, neckties, or jewelry (rings, watches, etc.) When operating the tool. Inappropriate clothing and items can get caught in moving parts and draw you in. **ALWAYS** wear non-slip footwear and tie back long hair.

8. **USE SAFETY GOGGLES AT ALL TIMES** that comply with ANSI Z87.1. Normal safety glasses only have impact resistant lenses and are not designed for safety. Use ear protection such as plugs or muffs during extended periods of operation.

9. **WEAR A FACE MASK OR DUST MASK** to fight the dust produced by sanding operations.



WARNING: Dust generated from certain materials can be hazardous to your health. Always operate the tool in a well-ventilated area and provide for proper dust removal. Use dust collection systems whenever possible.

OPERATE WITH PRECAUTIONS

10. **STAY ALERT.** A moments of inattention when operating power tools may result in serious personal injury. **DO NOT** operate the tool if you are tired or under the influence of drugs, alcohol, or medication that may affect your ability to properly use the tool.

11. **CHECK FOR DAMAGED PARTS.** Check for alignment of moving parts, jamming, breakage, improper mounting, or any other conditions that may affect the tool's operation. Any part that is damaged should be properly repaired or replaced before use.

GENERAL SAFETY RULES

12. **AVOID ACCIDENTAL START-UPS.** Make sure the power switch is in the OFF position before plugging in the power cord.
13. **REMOVE ADJUSTMENT TOOLS.** Always make sure all adjustment tools are removed from the saw before turning it on.
14. **DO NOT FORCE THE TOOL** to do a job for which it was not designed.
15. **KEEP GUARDS IN PLACE AND IN WORKING ORDER.**
16. **DO NOT OVERREACH.** Keep proper footing and balance at all times. Wear oil-resistant rubber-soled footwear. Keep the floor clear of oil, scrap, and other debris.
17. **NEVER LEAVE A RUNNING TOOL UNATTENDED.** Turn the power switch to OFF. Do not leave the tool until it has come to a complete stop.
18. **NEVER STAND ON A TOOL.** Serious injury could result if the tool tips or is accidentally hit. **DO NOT** store anything above or near the tool.
19. **ALWAYS** remove the power cord plug from the electrical outlet when making adjustments, changing parts, cleaning, or working on the tool.
20. **MAINTAIN TOOLS PROPERLY.** **ALWAYS** keep tools clean and in good working order. Follow instructions for lubricating and changing accessories.

ELECTRICAL INFORMATION

Make sure your extension cord is in good condition. When using an extension cord, be sure to use one heavy enough to carry the current your product will draw. An undersized cord will cause a drop in line voltage resulting in loss of power and overheating. The table below shows the correct size to be used according to cord length and nameplate ampere rating. When in doubt, use a heavier cord. The smaller the gauge number, the heavier the cord.

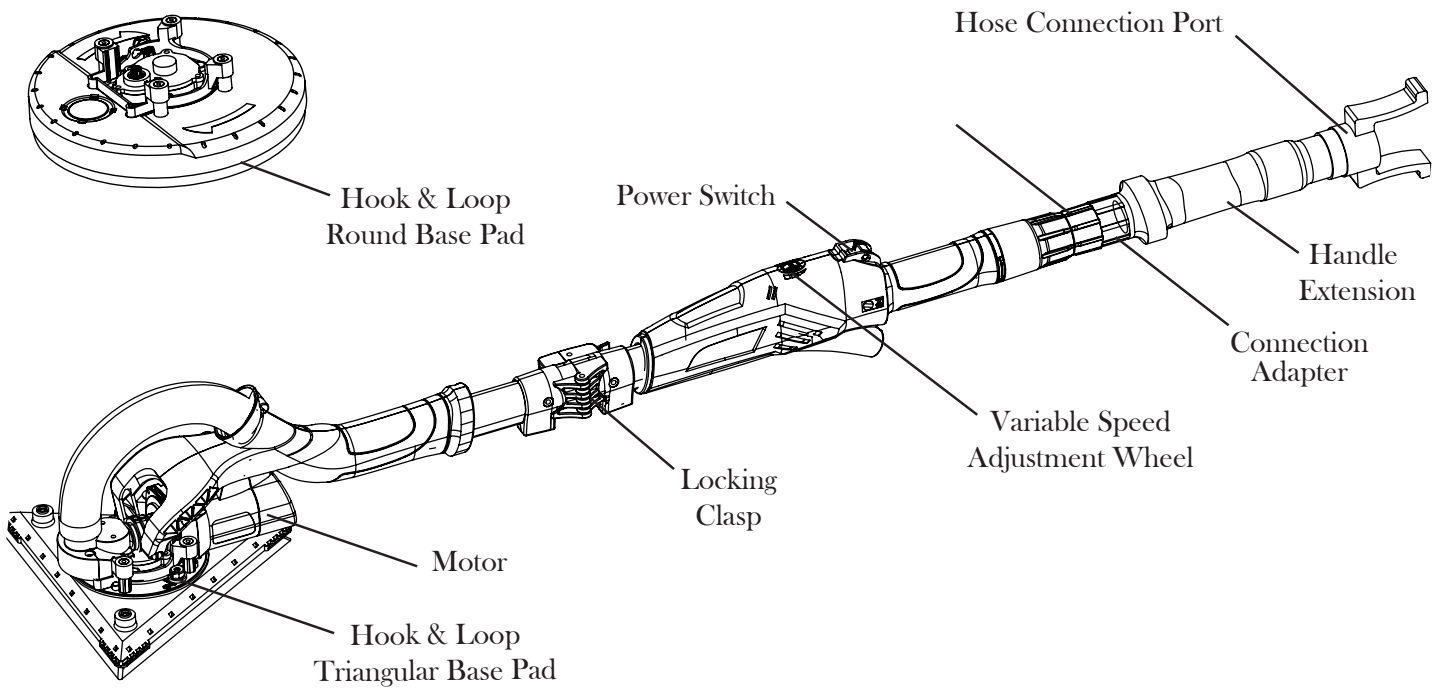
Make sure your extension cord is properly wired and in good condition. Always replace a damaged extension cord or have it repaired by a qualified person before using it. Protect your extension cords from sharp objects, excessive heat and damp/wet areas.

AMPERAGE	REQUIRED GAUGE FOR EXTENSION CORDS			
	25 ft.	50 ft.	100 ft.	150 ft.
5 A	18 gauge	16 gauge	16 gauge	14 gauge

Use a separate electrical circuit for your tools. This circuit must not be less than a #12 wire and should be protected with a 15 A time-delayed fuse. Before connecting the motor to the power line, make sure the switch is in the OFF position and the electric current is rated the same as the current stamped on the motor nameplate. Running at a lower voltage will damage the motor.

WARNING: This tool must be grounded while in use to protect the operator from electric shock.

KNOW YOUR DRYWALL SANDER



SPECIFIC RULES FOR THE DRYWALL SANDER

1. Do not force the machine to do a job that is not intended such as rough grinding, brushing, etc.
2. Only use one extension tube when operating the tool.
3. Always hold your tool firmly to avoid kick back from torque on initial start up.
4. Do not put down the machine until the pad's rotation has completely stopped.
5. Only use identical replacement parts when servicing the drywall sander.
6. Do not use sanding discs larger than the recommended size (11-1/4 in. for triangular disk and 9 in. for round disk)
7. Accessories need to be rated at a minimum of 1500 RPM. Do not use accessories rated at speeds below the machine's maximum RPM.
8. Never use damaged accessories. Always check whether accessories are nicked or cracked prior to operation; in particular, the grinding pad support plate. **RUN THE MACHINE AT MAXIMUM SPEED FOR ONE MINUTE** in order to test accessories before using them to sand anything. Make sure bystanders stand clear during this testing phase.
9. Regularly clean your machine's exhaust/dust port.

ASSEMBLY



WARNING: DO NOT attempt to plug in or operate this tool until it is completely assembled and installed according to the instructions.

1. Unfold the front and back of the drywall sander. Push the clasp fully into the closed position (Fig. A).

2. Attach the base pad. The shaft cap on the back of the base pad (Fig. B - 1) needs to match the hole alignment on the drywall sander head (Fig. B - 2) to be installed.

Use the included spanner to adjust the angle of the shaft cap. Then press the base pad tightly on to the drywall sander. The shaft cap on the round base pad can also be rotated by hand.

3. Pull the knob (Fig. C - 1) on the side of the head and slide it upward to secure the base pad in place. Check to make sure the base pad is securely aligned and attached.

4. Attach the sanding disc of your choice to the face of the hook and loop base pad. Ensure the holes are aligned on the bottom of the pad (Fig. D).

5. Attach the optional handle extension. Rotate the locking nut (Fig. E - 1) counterclockwise to loosen it. Insert the extension tube with the connection adapter (Fig. E - 2) into the main drywall sander. Slide the extension tube to the ideal length. NOTE: the connection adapter (Fig. E - 2) cannot be below the maximum length indication line on the extension tube (Fig. E - 3), otherwise the handle extension will not be tightened. Rotate the locking nut clockwise to lock the handle extension in place. Check that the handle extension is securely attached.

6. If you would like to use a dust collection device, insert the hose connection port into the end of the additional handle extension, or directly into the end of the main drywall sander assembly if you choose not to use the handle extension.

NOTE: A dust collection device is recommended to cut down on mess and the potentially harmful particulates in the air produced from sanding.

7. Connect one end of the dust hose to the end of the hose connection port and the other to the dust extraction device of your choice.

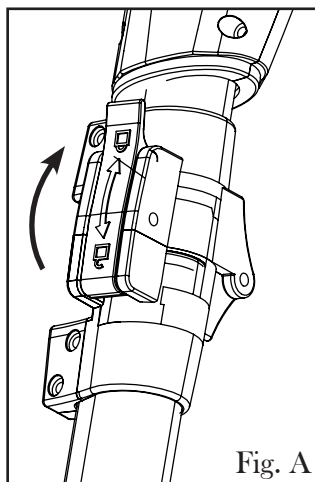


Fig. A

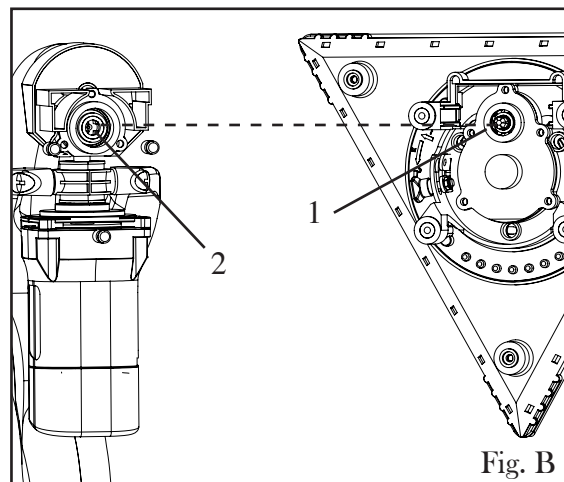


Fig. B

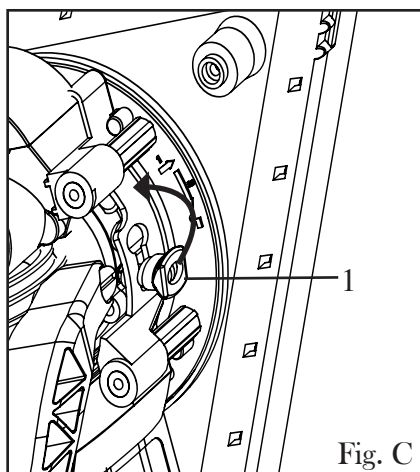


Fig. C

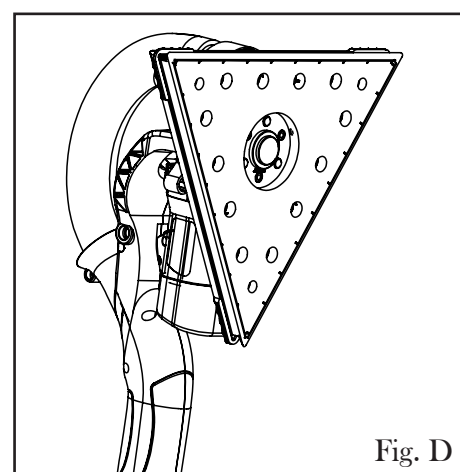


Fig. D

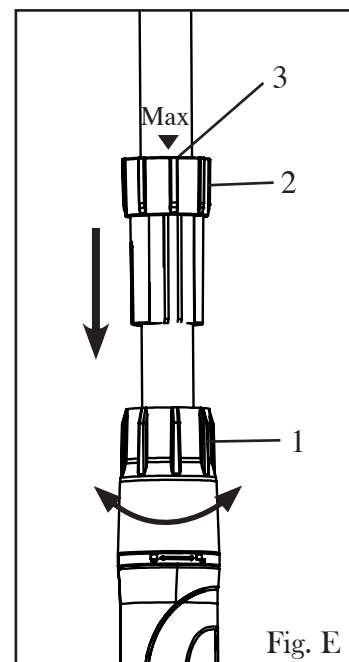


Fig. E

OPERATION



WARNING: This tool is for indoor use only.
DO NOT expose to rain or use in damp locations

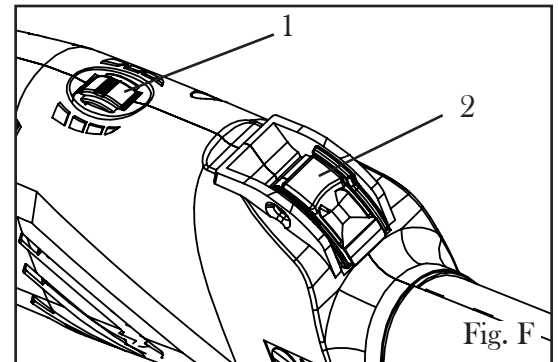
1. Hold the machine firmly with both hands. DO NOT hold the machine by the machine's head to avoid injury.
3. Before operation, make sure every fastener and nut has been properly engaged and that the sanding pad has been properly installed and aligned.
4. Before switching on the machine, keep the sanding head slightly away from the work surface.

VARIABLE SPEED CONTROL

Use the speed wheel (Fig. F - 1) to adjust anywhere from 600 to 1500 RPM. This drywall sander is equipped with constant speed control to keep the pad running at a consistent rate despite changes in applied load.

TURNING ON THE DRYWALL SANDER

After setting the variable speed to your desired RPM, power the machine by pressing forward on the power switch (Fig. F - 2).



5. During sanding operation, do not press down too hard in order to avoid overloading the sander. Use proper pressure for better sanding effects. If the machine slows or bogs down, immediately lessen the applied pressure. The quality of the results are mainly determined by choosing the right abrasive material for the job.
6. Once the sanding task has been completed, turn off the machine. Wait for the pad to stop rotating before setting down the machine.



WARNING: To avoid injury from accidental startups,
ALWAYS TURN SWITCH OFF AND REMOVE THE PLUG
from the power source outlet before making any adjustments

MAINTENANCE

CLEANING AND MAINTAINING YOUR DRYWALL SANDER

Clean the unit immediately after using it. Regularly clean the unit with a damp cloth and a little soft soap. Do not use cleaners or solvents as they will attack the plastic of the unit. Make sure water does not get into the unit.

Your drywall sander requires no additional lubrication or maintenance. Always store your sander in a dry place away from children.

If the supply cord is damaged, it must be replaced by the manufacturer or a similarly qualified technician. DO NOT USE A DAMAGED TOOL.. If excessive sparking occurs, have the carbon brushes checked by a qualified electrician. Only a qualified technician should change the carbon brushes.

MAINTENANCE

REPLACING THE SHAFT CAP

The plastic shaft cap on the back of the triangular base pad (Fig. G - 1) and the round base pad is a consumable item that needs to be routinely replaced. Spare caps are included on the back of the triangular pad (Fig. G - 2). Use the spanner to remove the worn shaft cap and replace with a new cap.

Adjust the angle of the shaft cap with a spanner to match the hole alignment (Fig. B) before attaching it back onto the drywall sander.

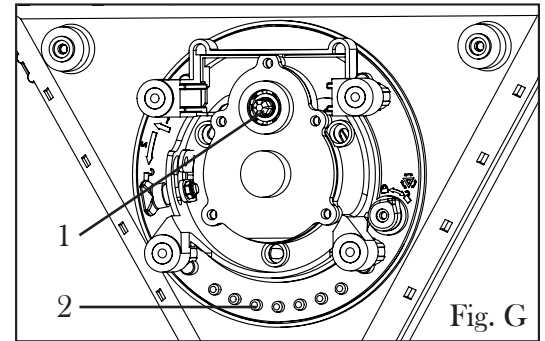


Fig. G

REPLACING THE SANDING PAD

First, detach the sanding disc from the sanding pad.

FOR TRIANGULAR SANDING PAD:

Unscrew the three screws (Fig. H - 1) located on the outer corners of the sanding pad and the three screws (Fig. H - 2) on the flange. Replace the pad with an identical part suited for this particular model of drywall sander. Attach firmly in place with the screws.

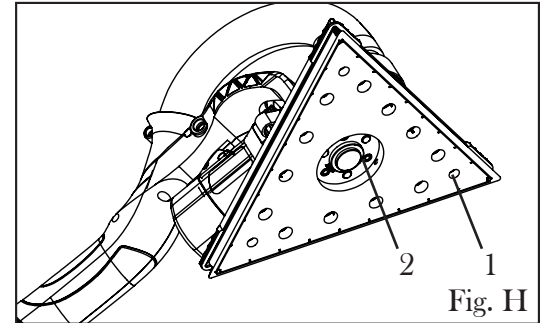


Fig. H

FOR ROUND SANDING PAD:

Insert the hex wrench into the hexagonal screw (Fig. I - 1) located in the center of the hook and loop sanding pad. Hold the pad firmly while turning the wrench to unscrew the center hex screw. Replace the pad with an identical part suited for this particular model of drywall sander. Attach firmly in place using the hexagonal screw.

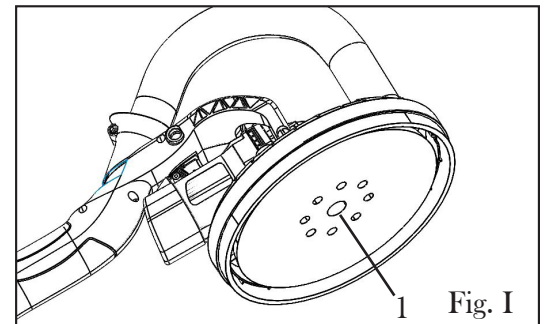
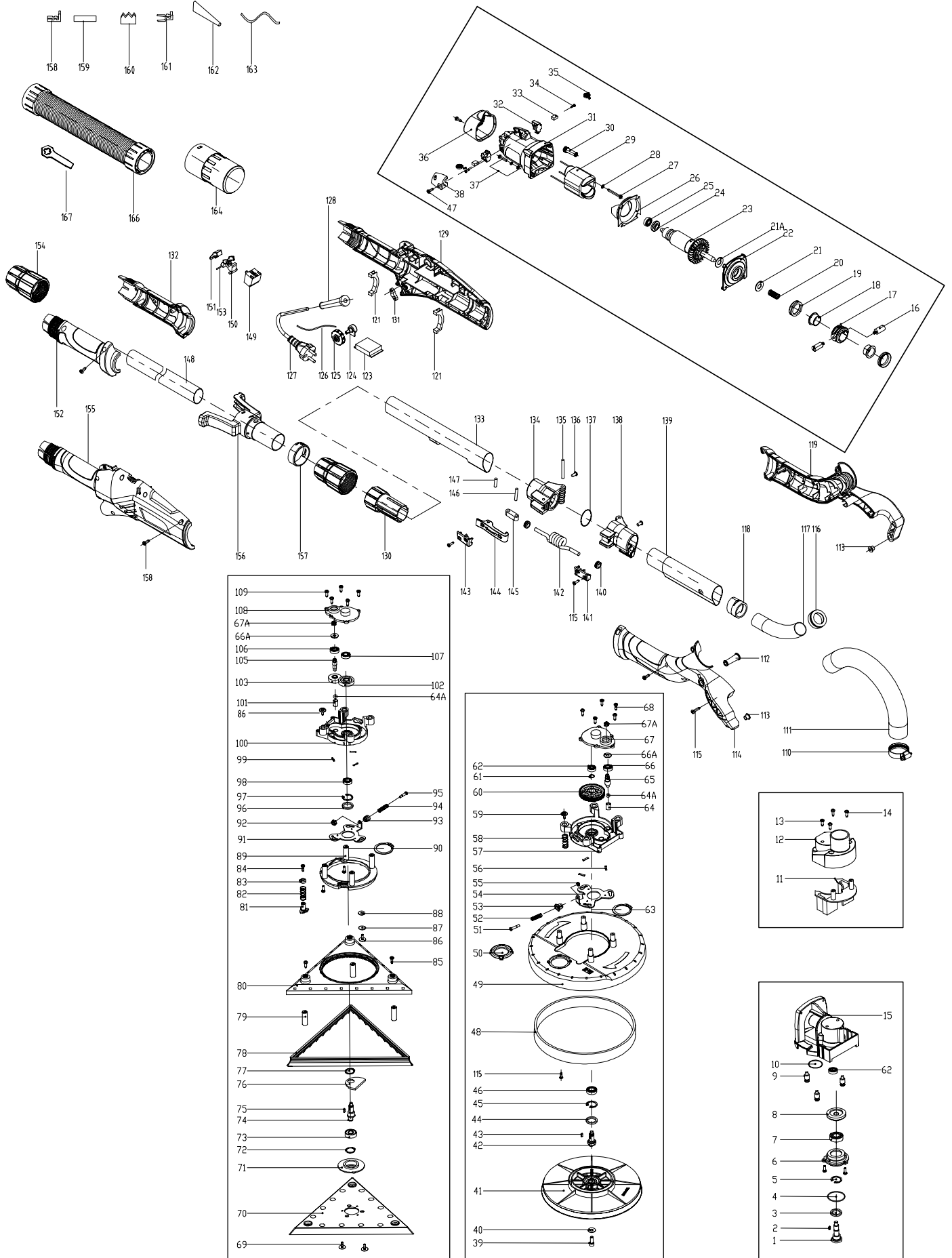


Fig. I

TROUBLESHOOTING

PROBLEM	CAUSE	SOLUTION
Motor is not working.	1) Wires in the main plug or in the socket are loose. 2) The switch is faulty.	1) Have the socket and plug checked by an authorized technician. 2) Have the switch replaced by an authorized technician.
Unusual noises occur during operation. Motor is not working properly.	1) Switch contact has failed. 2) Components have jammed. 3) Too high of load has been applied.	1) Have the switch replaced by an authorized technician. 2) Have the tool checked and repaired. 3) Use less pressure during sanding operations.
Motor gets hot.	1) Foreign substances have gotten inside the motor. 2) Too high of load has been applied.	1) Have the foreign substances removed. 2) Use less pressure during sanding operations.
Frequent sparks occur on the commutator.	1) There is a short circuit in the motor (armature). 2) Carbon brushes are worn out or jammed.	1) Have the armature replaced. 2) Have the carbon brushes checked.

EXPLODED VIEW AND PARTS LIST



EXPLODED VIEW AND PARTS LIST

No.	Part Number	Part Description	No.	Part Number	Part Description
1-8	6377-015A	Gearbox Assembly	130	6369-074	Aluminum Pipe Insert
9	6377-009	Locking Shaft	131	6369-075	Cable Pressing Plate
10	6377-015A	Gearbox Assembly	132	6369-076	Left Sub-Handle
11-14	6377-012A	Dust Collection Assembly	133	6369-077	Aluminum Pipe
15	6377-015A	Gear Box	134	6369-078	Back Hinge Sleeve
16-32	6377-031A	Motor Assembly	135	6369-079	Ø5x45 Pin
33	6377-033	Carbon Brush (Set of 2)	136	6369-080	Ø5 Clinch Bolt
34-38	6377-031A	Motor Assembly	137	6369-081	Ø1.2 Sealed Ring
39	6377-039	Screw M6 x 14	138	6369-082	Front Hinge Sleeve
40	6377-041A	Circular Head Assembly	139	6369-083	Aluminum Pipe
41	6377-041	Circular Sanding Pad	140	6369-087	Sleeve 2#
42-46	6377-041A	Circular Head Assembly	141	6369-088	Front Latch
47	6377-047	Screw M4x12	142	6369-089	Spring
48-67	6377-041A	Circular Head Assembly	143	6369-090	Latch Pivot
67A	6377-067A	Shaft Cap	144	6369-091	Fixed Plate
68	6377-041A	Circular Head Assembly	145	6369-084	Supporting Arm
69	6377-080A	Triangular Head Assembly	146	6369-085	Ø5x30 Pin
70	6377-070	Traingular Sanding Pad	147	6369-086	Ø5x16.8 Pin
71-109	6377-080A	Triangular Head Assembly	148	6369-092	Aluminum Pipe With Single Access
110	6369-054	Tightening Ring 25-38	149	6369-093	Switch
111	6369-055	350 Hose	150	6369-094	Switch Pushing Lever
112	6369-056	Small Cable Sleeve	151	6369-095	Switch Button
113	6369-057	Small Rubber Cover	152	6369-096	Right Sub-Handle
114	6369-058	Right Handle Stand	153	6369-097	Circular Pin Ø1.5x11.8
115	6369-046	Screw M4x14	154	6369-098	Back Screw Nut
116	6369-059	Ø28 Connector	155	6369-099	Right Main Handle
117	6369-060	Plastic Soft Pipe Ø28	156	6369-100	Hose Connection Adapter
118	6369-061	Ellipticle Connector	157	6369-101	Adjustable Ring
119	6369-062	Left Handle Stand	158	6377-158	Buckle
121	6369-066	Cable Plate	159	6377-159	Copper Strips
123	6369-068	Electronic Speed Control Plate	160	6377-160	3 Tooth Buckle
124	6369-069	Potentiometer	161	6377-161	Y Buckle
125	6369-070	Speed Button	162	6377-162	Heat Shrink Tubing
126	6377-163	Inner Wire	163	6377-163	Inner Wire
127	6369-071	Cable	164	6369-102	Connection Adapter
128	6369-072	Cable Sleeve	166	6369-103	Dust Tube
129	6369-073	Left Main Handle	167	6377-167	Wrench

LIMITED TWO YEAR WARRANTY

WEN Products is committed to build tools that are dependable for years. Our warranties are consistent with this commitment and our dedication to quality.

LIMITED WARRANTY OF WEN CONSUMER POWER TOOLS PRODUCTS FOR HOME USE
GREAT LAKES TECHNOLOGIES, LLC (“Seller”) warrants to the original purchaser only, that all WEN consumer power tools will be free from defects in material or workmanship for a period of two (2) years from date of purchase. Ninety days for all WEN products, if the tool is used for professional use.

SELLER’S SOLE OBLIGATION AND YOUR EXCLUSIVE REMEDY under this Limited Warranty and, to the extent permitted by law, any warranty or condition implied by law, shall be the repair or replacement of parts, without charge, which are defective in material or workmanship and which have not been misused, carelessly handled, or misrepaired by persons other than Seller or Authorized Service Center. To make a claim under this Limited Warranty, you must make sure to keep a copy of your proof of purchase that clearly defines the Date of Purchase (month and year) and the Place of Purchase. Place of purchase must be a direct vendor of Great Lakes Technologies, LLC. Third party vendors such as garage sales, pawn shops, resale shops, or any other secondhand merchant void the warranty included with this product. Contact techsupport@wenproducts.com or 1-800-232-1195 to make arrangements for repairs and transportation.

When returning a product for warranty service, the shipping charges must be prepaid by the purchaser. The product must be shipped in its original container (or an equivalent), properly packed to withstand the hazards of shipment. The product must be fully insured with a copy of the warranty card and/or the proof of purchase enclosed. There must also be a description of the problem in order to help our repairs department diagnose and fix the issue. Repairs will be made and the product will be returned and shipped back to the purchaser at no charge.

THIS LIMITED WARRANTY DOES NOT APPLY TO ACCESSORY ITEMS THAT WEAR OUT FROM REGULAR USAGE OVER TIME INCLUDING BELTS, BRUSHES, BLADES, ETC.
ANY IMPLIED WARRANTIES SHALL BE LIMITED IN DURATION TO ONE (1) YEAR FROM DATE OF PURCHASE. SOME STATES IN THE U.S., SOME CANADIAN PROVINCES DO NOT ALLOW LIMITATIONS ON HOW LONG AN IMPLIED WARRANTY LASTS, SO THE ABOVE LIMITATION MAY NOT APPLY TO YOU.

IN NO EVENT SHALL SELLER BE LIABLE FOR ANY INCIDENTAL OR CONSEQUENTIAL DAMAGES (INCLUDING BUT NOT LIMITED TO LIABILITY FOR LOSS OF PROFITS) ARISING FROM THE SALE OR USE OF THIS PRODUCT. SOME STATES IN THE U.S. AND SOME CANADIAN PROVINCES DO NOT ALLOW THE EXCLUSION OR LIMITATION OF INCIDENTAL OR CONSEQUENTIAL DAMAGES, SO THE ABOVE LIMITATION OR EXCLUSION MAY NOT APPLY TO YOU.

THIS LIMITED WARRANTY GIVES YOU SPECIFIC LEGAL RIGHTS, AND YOU MAY ALSO HAVE OTHER RIGHTS WHICH VARY FROM STATE TO STATE IN THE U.S., PROVINCE TO PROVINCE IN CANADA AND FROM COUNTRY TO COUNTRY.

THIS LIMITED WARRANTY APPLIES ONLY TO PORTABLE ELECTRIC TOOLS, BENCH POWER TOOLS, OUTDOOR POWER EQUIPMENT AND PNEUMATIC TOOLS SOLD WITHIN THE UNITED STATES OF AMERICA, CANADA AND THE COMMONWEALTH OF PUERTO RICO. FOR WARRANTY COVERAGE WITHIN OTHER COUNTRIES, CONTACT THE WEN CUSTOMER SUPPORT LINE.

THANKS FOR REMEMBERING

