



18-GAUGE 2-INCH BRAD NAILER



Model # 61720
bit.ly/wenvideo


IMPORTANT:

Your new tool has been engineered and manufactured to WEN's highest standards for dependability, ease of operation, and operator safety. When properly cared for, this product will supply you years of rugged, trouble-free performance. Pay close attention to the rules for safe operation, warnings, and cautions. If you use your tool properly and for intended purpose, you will enjoy years of safe, reliable service.



NEED HELP? CONTACT US!

Have product questions? Need technical support?
Please feel free to contact us at:

 **800-232-1195** (M-F 8AM-5PM CST)

 techsupport@wenproducts.com

 WENPRODUCTS.COM

TABLE OF CONTENTS

Technical Data	2
General Safety Rules	3
Specific Safety Rules for Nailers	4
Know Your Nailer	7
Operation	7
Maintenance	9
Troubleshooting	10
Exploded View	11
Parts List	12
Warranty	13

TECHNICAL DATA

Model Number:	61720
Operating Pressure Range:	60 psi - 100 psi
Air Inlet:	1/4" NPT
Nail Size Range:	3/4" - 2"
Nail Diameter:	18 Gauge
Air Consumption:	1.8 CFM
Magazine Capacity:	100
Weight:	3.30 lbs
Package Contents:	Brad Nailer S3 Hex Wrench S4 Hex Wrench Non-detergent Oil Operator's Manual

SAFETY INTRODUCTION

Hello! Thank you for purchasing the WEN Brad Nailer. Safe operation of this pneumatic tool requires that you read and understand this operator's manual and all labels affixed to the tool. Safety is a combination of common sense, staying alert, and knowing how your tool works.

The purpose of the following safety symbol is to attract your attention to possible dangers. We don't want any of our beloved WEN customers accidentally injuring themselves. The safety symbols and the explanations with them deserve your careful attention and understanding.



Safety Alert Symbol: Indicates danger, warning, or caution. This may be used in conjunction with other symbols. Always follow the safety precautions to reduce the risk of fire, electric shock and personal injury. However, please note that the safety warnings do not by themselves eliminate any danger. These instructions and warnings are not substitutes for proper accident prevention measures.

WARNING: Do not attempt to operate this tool until you have thoroughly read and understood all instructions, safety rules, etc., contained in this manual. Failure to comply can result in accidents involving fire, electric shock, or serious personal injury. Save this operator's manual and review frequently for continuing safe operation and instructing others who may use this tool.

SAFETY RULES

Safety is a combination of common sense, staying alert and knowing how your item works.

SAVE THESE SAFETY INSTRUCTIONS.



WARNING: To avoid mistakes and serious injury, do not use your tool until the following steps have been read and understood

1. **READ** and become familiar with this entire instruction manual, no matter how boring it may be. **LEARN** the tool's applications, limitations, and possible hazards.
2. **ALWAYS** keep your work area clean, uncluttered, and well lit. **DO NOT** work on floor surfaces that are slippery with sawdust or wax.
3. **DO NOT USE THE TOOL** in the presence of flammable dust, gases or fumes. The tool may produce a spark that could ignite gases causing a fire. Driving a nail into another nail may also cause a spark.
4. **KEEP BYSTANDERS AT A SAFE DISTANCE** from the work area, especially when the tool is operating. **NEVER** allow children or pets near the tool.
5. **MAKE THE WORKSHOP CHILDPROOF.** Use padlocks and master switches and **ALWAYS** remove starter keys. Keep bystanders, children and visitors away while operating the power tool. Distractions can cause you to lose control. When tool is not in use, it should be locked away in a safe place.
6. **DRESS FOR SAFETY.** Do not wear loose clothing, gloves, neckties, or jewelry (rings, watches, etc.) when operating the tool. Inappropriate clothing and items can get caught in moving parts and draw you in. **ALWAYS** wear non-slip footwear and tie back long hair.
7. **USE PERSONAL PROTECTIVE EQUIPMENT.**
 - Everyone in the work area **MUST** wear safety glasses with side shields that conform to ANSI Z87.1 requirements (approved glasses have "Z87" printed or stamped on them). It is the employer's responsibility to enforce the use of eye protection equipment by both the tool operator and others in the work area.
 - Wear a face mask or dust mask to fight the debris produced by operation.
 - Wear ear protection such as plugs or muffs to fight hearing loss.
 - Wear work gloves to protect your hands.
8. **KEEP ALERT.** Watch what you are doing. Use common sense. Do not operate any tool when you are tired or under the influence of drugs, alcohol or medication that may affect your ability to properly use the tool.
9. **DO NOT OVERREACH.** Keep proper footing and balance at all times. Wear oil-resistant rubber-soled footwear. Keep the floor clear of oil, scrap, and other debris.
10. **DO NOT FORCE THE TOOL** to do a job for which it was not designed.
11. **INSPECT TOOL BEFORE USE.** Do not operate if any portion of the tool, trigger, or safety bracket is damaged, inoperable, disconnected, or altered. Leaking air, damaged parts, or missing parts should be repaired or replaced before use
12. **WHEN CONNECTING TO THE AIR SUPPLY,** the tool is at risk of possibly firing fasteners. Be aware of this and do not aim the gun at anything you do not want to shoot a nail into.

SAFETY RULES

13. **USE ONLY** clean dry and regulated air. Condensation from an air compressor can rust and damage the internal workings of the tool.
14. **DO NOT USE BOTTLED GASES** to power this tool. Bottled compressed gases including but not limited to oxygen, carbon dioxide, nitrogen, hydrogen, propane, acetylene or air are not for use with pneumatic tools. Never use combustible gases or any other reactive gas as a power source for this tool. **DANGER OF EXPLOSION AND/OR SERIOUS PERSONAL INJURY MAY RESULT.**
15. **REGULATE AIR PRESSURE.** Use air pressure that is compatible with the ratings on the nameplate of the tool (60 to 100 PSI). **DANGER** - never let the air pressure go above 120 PSI. Never connect to a compressor rated above 175 PSI.
16. **USE PROPER EXTENSION CORDS.** When using an air compressor outdoors, use only rounded jackets extensions cords. These are intended for outside use. See manufacturer's manual for the AWG required for the compressor's amperage draw.
17. **ALWAYS USE** an air hose that is rated at a maximum working pressure of at least 150 PSI (10.3 bar) or 150% of the maximum system pressure (whichever is higher).
18. **PAY ATTENTION TO AIR HOSE AND THEIR CONNECTIONS.** Don't trip over the hoses. Also, make sure the connections are nice and tight. Use appropriate hose tape to prevent leaking.
19. **MAKE SURE HOSE** is free of obstructions or snags. Entangled or snarled hoses can cause a loss of balance.
20. **USE COUPLINGS** that relieve all pressure from the tool when it is disconnected from the power supply. Use hose connectors that shut off the air supply from the compressor when the tool is disconnected.
21. **LOAD FASTENERS AFTER** connecting the tool to the air supply. Otherwise, fasteners are at risk of being fired during connection. The tool's driving mechanism may cycle when it is connected to the air supply.
22. **DO NOT DEPRESS THE SAFETY BRACKET OR THE TRIGGER WHEN LOADING.**
23. **ALWAYS ASSUME** that the tool contains fasteners. Do not point the tool at coworkers or yourself at any time, nails may be fired unintentionally and cause serious injury.
24. **DO NOT DISCHARGE** fasteners into open air, concrete, stone, extremely hard woods, knots or any material too hard for the fastener to penetrate.
25. Do not use the body of the tool or top cap as a hammer. Discharged fasteners may follow unexpected paths and cause bodily injury.
26. **KEEP HANDS AND BODY PARTS CLEAR** of immediate work area. Hold workpiece with clamps when necessary to keep body parts out of potential harm. Be sure the workpiece is properly secured before pressing the nailer against the material. The safety bracket may cause the work material to shift unexpectedly.
27. **GRIP THE TOOL FIRMLY** with both hands to maintain control while still allowing it to recoil away from the work surface as the fastener is driven.

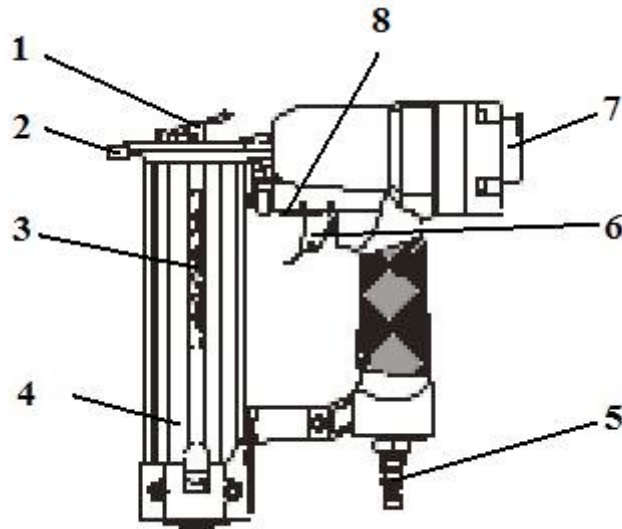
SAFETY RULES

28. **KEEP FACE AND BODY PARTS** away from the back of the tool cap when working in restricted areas. Sudden recoil can result in impact to the body, especially when nailing into hard or dense material.
29. **DO NOT DRIVE FASTENERS** near the edge of your work material. The workpiece may split, causing the fastener to ricochet, injuring you or a bystander. Be aware that the nail may follow the grain of the wood, causing it to protrude unexpectedly from the side of the work material. Drive the nail perpendicular to the grain to reduce risk of injury.
30. **DO NOT DRIVE NAILS** onto the heads of other fasteners. Do not use the tool at too steep of an angle. Personal injury from strong recoil, jammed fasteners, or ricocheted nails may result.
31. **BE AWARE OF MATERIAL THICKNESS** when using the nailer. A protruding nail may cause injury.
32. **KNOW** that when the tool is being utilized at pressures on the high end of its operating range, nails can be driven completely through thin or very soft work material. Make sure the pressure in the compressor is set so that nails are set into the material and not pushed completely through.
33. **REMOVE FINGER FROM TRIGGER** when not driving fasteners. Never carry the tool with your finger on the trigger.
34. **IF THE FASTENERS ARE JAMMED**, disconnect the tool from the air supply first before removing the jammed fasteners.
35. **DISCONNECT** tool from air supply when not in use. Remove fasteners from magazine before leaving the area or passing the tool to another operator. Do not climb ladders, stairs, scaffoldings, etc. without disconnecting the tool. Do not carry a connected tool to another work area. Do not make adjustments, remove magazine, perform maintenance or clear jammed fasteners while connected to the air supply. If the safety bracket is adjusted when the tool is connected to the air supply with loaded nails, accidental discharge may occur.
36. **DO NOT REMOVE**, tamper with, or otherwise cause the tool, trigger or safety bracket to become inoperable. Do not tape or tie the trigger or safety bracket in the ON position. Do not remove springs from the safety bracket. Make daily inspections for free movement of the trigger and safety bracket. Uncontrolled discharge may result. Do not alter or modify the tool in any way.
37. **MAINTAIN TOOLS PROPERLY. ALWAYS** keep tools clean and in good working order. Follow instructions for lubricating , changing accessories and storage.



WARNING: The warnings, cautions, and instructions explained in this manual cannot cover all possible conditions and situations that may occur. It must be understood by the operator that **COMMON SENSE AND CAUTION ARE FACTORS WHICH CANNOT BE BUILT INTO THIS PRODUCT, BUT MUST BE SUPPLIED BY THE OPERATOR.**

KNOW YOUR NAILER



- 1- Jam-Clearing Latch
- 2- Contact Trip
- 3- Low Nail Indicator Window
- 4- Magazine
- 5- Air Inlet
- 6- Trigger
- 7- Exhaust
- 8- Depth Adjustment Wheel

OPERATION



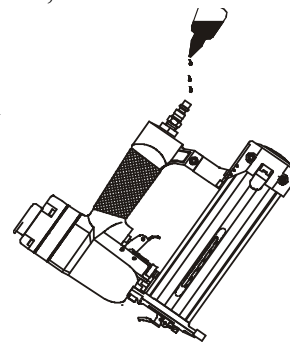
WARNING - if any parts are missing, do not operate this tool until the missing parts are replaced. Failure to do so could result in a possibly serious personal injury.

LUBRICATION

This tool requires lubrication before each use (especially the first use). If an inline oiler is used, manual lubrication through the air inlet is not required.

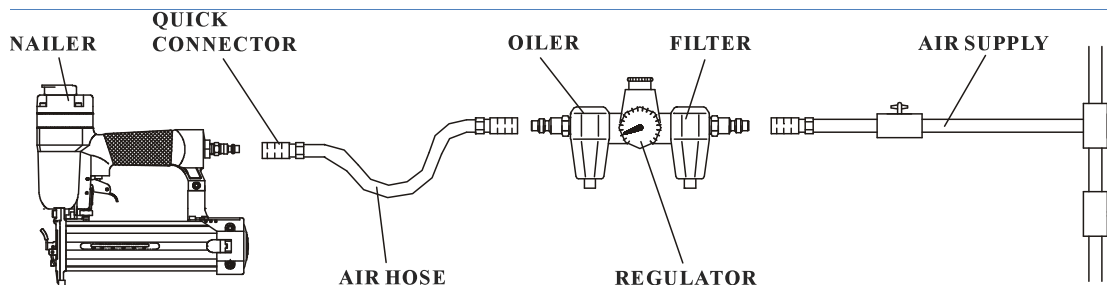
Note: The work surface can become damaged by excessive lubrication. Proper lubrication is the owner's responsibility. Failure to lubricate the tool properly will dramatically shorten the life of the tool and void the warranty.

1. Disconnect the air supply from the tool to add lubricant.
2. Turn the tool so the air inlet is facing up. Place 4-5 drops of 30W non-detergent oil (included) into the air inlet.
3. After adding oil, run toll briefly. Wipe off any excess oil from the exhaust.



RECOMMENDED HOOKUP

Your air tool is fully assembly when you receive it. Before using it, attach the air line and desired air system accessories. See the diagram on the right for the recommended accessories and connection order. Be sure the air hose is depressurized when installing or removing adapters to the air line.



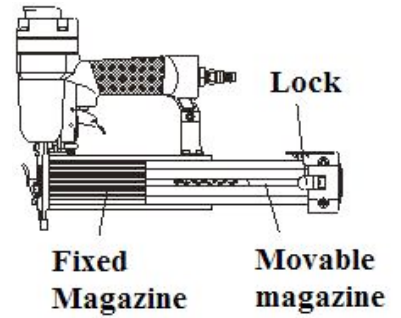
OPERATION

LOADING THE FASTENERS



CAUTION: Always connect the nailer to the air supply before loading fasteners. Otherwise a misfire may occur.

1. Depress the lock to release the movable magazine and pull the magazine out fully.
2. Place a full clip of the specified type and size fasteners on the fixed magazine. Up to 100 fasteners may be loaded in the magazine.
3. Push the movable magazine forward until it locks in place.



ACTUATING TOOL



WARNING: To reduce the risk of injury, always wear proper eye and hearing protection when operating this tool.

WARNING: A nail will fire each time the trigger is pressed as long as the contact trip remains activated which could result in inadvertent actuation.

1. Press the contact trip firmly against the work surface.
2. Press the trigger.

ADJUSTING THE DRIVING DEPTH



WARNING: To reduce risk of serious injury from accidental actuation when attempting to adjust depth, always disconnect the air supply and avoid contact with trigger during adjustments.

1. To drive a nail shallower, rotate the depth setting wheel to the right.
2. To drive a nail deeper, rotate the depth setting wheel to the left.

OPERATION

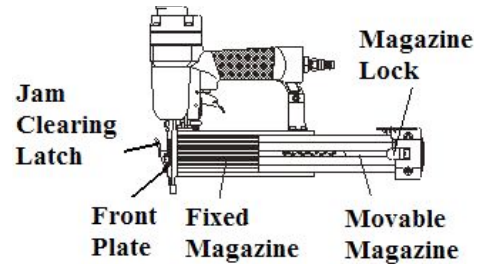
CLEARING JAMMED NAILS



WARNING: Disconnect the air line from the tool and remove all fasteners before removing jammed nails to avoid personal injury.

If a nail becomes jammed in the nosepiece, keep the tool pointed away from yourself and others and follow these steps:

1. Disconnect air supply from tool.
2. Press magazine lock to release movable magazine.
3. Push down jam clearing latch and pull up to open front plate.
4. Remove jammed nail, using pliers or other tools if necessary.
5. If the piston assembly is in the down position, insert screwdriver or other rod into nosepiece and push the piston back in position.
6. Remove rod and close front plate.
7. Lift latch to secure front plate to nosepiece.
8. Make sure the trigger and contact trip move freely without sticking or binding.
9. Load the magazine.
10. Reattach nailer to air supply.



NOTE: If nails continue to jam in the nosepiece, have your tool serviced by an authorized WEN service center.

MAINTENANCE

CLEAN AND INSPECT DAILY

CAUTION - Disconnect tool from air supply before performing any maintenance. Fix all problems before returning to operation.

Add pneumatic tool oil into the oiler regularly to ensure the moving components are finely lubricated. Check the filter of the compressor weekly and switch off the manual valve to drain water and contaminations out. Wipe the tool clean. Blow the tool clean using high compressed air, then use non-flammable cleaning solutions to wipe exterior of the tool as necessary. Do not soak tool with cleaning solutions. Such solutions can damage internal parts. The exposed portion of the small piston rod and feed hook must be kept clean.

Inspect trigger and safety mechanism to assure system is complete and functional (no loose or missing parts, no binding or sticking parts). Keep all screws tight. Loose screws can cause personal injury or damage the tool. Check if there are worn and damaged parts. If there are, please replace said damaged parts immediately. If tool is used without an in-line oiler, place 5 or 6 drops of air tool oil into the air inlet of the tool at the beginning of each workday.

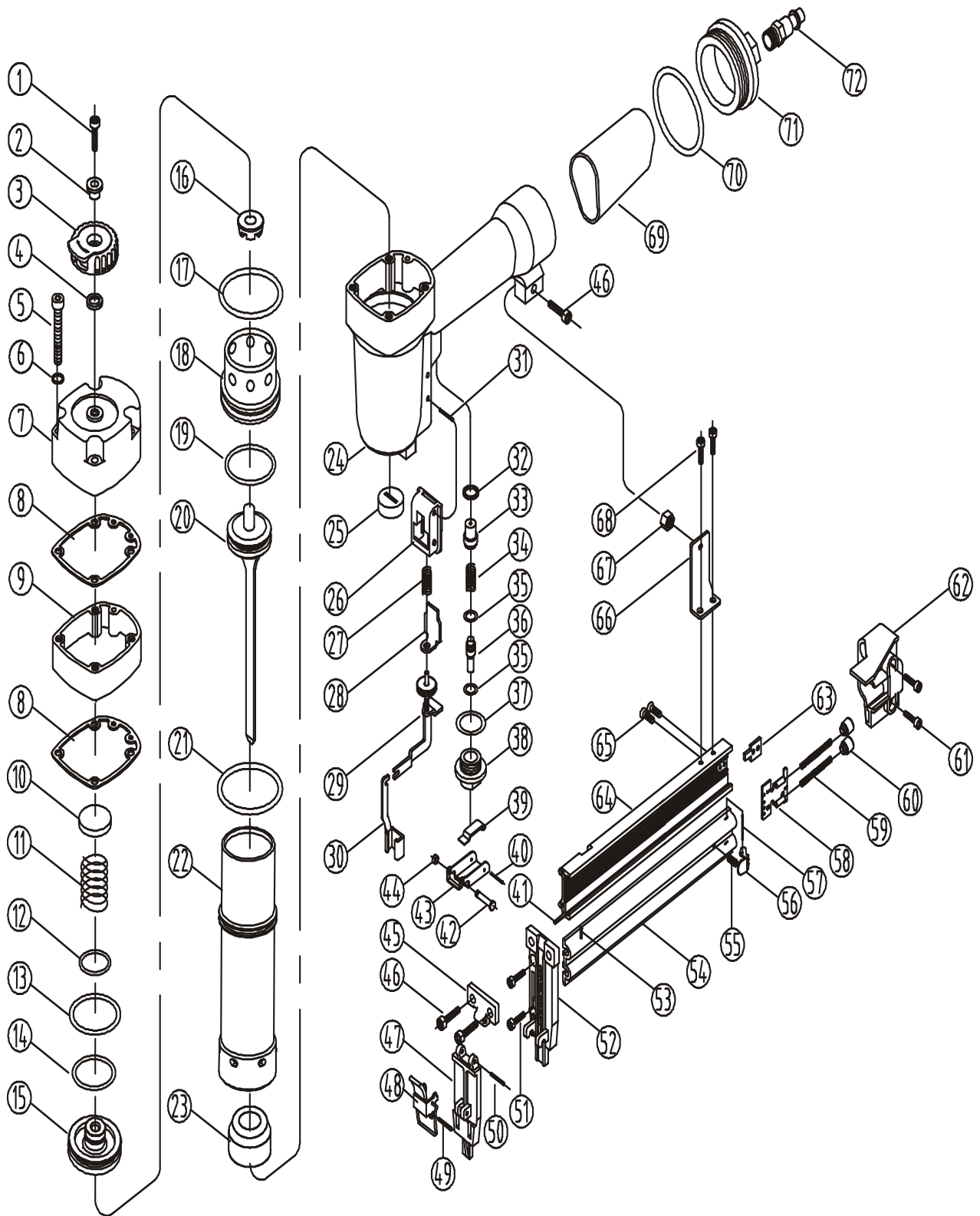
TROUBLESHOOTING



CAUTION: Stop using the tool immediately if any of the following problems occur or risk serious personal injury. Repairs and replacements should only be performed by authorized personnel at a certified WEN service center.

Problem	Common Causes	Solution
Air leaking at Trigger area	<ol style="list-style-type: none"> 1. O-ring in trigger valve is damaged. 2. Trigger valve head are damaged. 3. Trigger valve stem, seal or O-ring is damaged. 	<ol style="list-style-type: none"> 1. Check and replace O-ring. 2. Check and replace trigger valve head. 3. Check and replace trigger valve stem, seal or O-ring.
Air leaking between body and drive guide	Damaged piston O-ring or bumper	Check and replace O-ring or bumper.
Air leaking between body and cylinder cap	<ol style="list-style-type: none"> 1. Loose Screw. 2. Damaged Seal. 	<ol style="list-style-type: none"> 1. Tighten screws. 2. Check and replace seal.
Fasteners are driven too deep	<ol style="list-style-type: none"> 1. Worn bumper. 2. Air pressure is too high. 	<ol style="list-style-type: none"> 1. Replace bumper. 2. Adjust the air pressure.
Runs slowly or has power loss	<ol style="list-style-type: none"> 1. Insufficient oil. 2. Insufficient air supply. 3. Broken spring in cylinder cap. 4. Exhaust port in cylinder cap is blocked. 	<ol style="list-style-type: none"> 1. Lubricate as instructed. 2. Check air supply. 3. Replace spring. 4. Replace damaged internal parts.
Tool skips a fastener	<ol style="list-style-type: none"> 1. Worn bumper or damaged spring. 2. Dirt in drive guide. 3. Inadequate airflow to tool. 4. Worn or dry O-ring on piston. 5. Damaged O-ring on trigger valve. 6. Cylinder cap seal leaking. 	<ol style="list-style-type: none"> 1. Replace bumper or pusher spring. 2. Clean drive channel of front plate. 3. Check hose and compressor fittings. 4. Replace O-ring or lubricate. 5. Replace O-ring. 6. Replace seal.
Fasteners repeatedly jam	<ol style="list-style-type: none"> 1. Joint guide is worn. 2. Fasteners are wrong size or damaged. 3. Magazine or front plate screws are loose. 4. Blade in piston assembly is damaged. 	<ol style="list-style-type: none"> 1. Replace joint guide. 2. Use the recommended and undamaged fasteners. 3. Tighten screws. 4. Replace piston assembly.
Tool will not drive down tight	<ol style="list-style-type: none"> 1. Worn blade in piston assembly. 2. Lack of power. 3. Slow cycling and loss of power. 	<ol style="list-style-type: none"> 1. Replace piston assembly. 2. Adjust to adequate air pressure. 3. Check cylinder cap spring for broken coils or reduced length. Check if exhaust port of cylinder cap is restricted.

EXPLODED VIEW



PARTS LIST

Item	Stock #	Description
1	61720-001	SCREW
2	61720-002	BUSHING
3	61720-003	EXHAUST COVER
4	61720-004	SEAL
5	61720-005	SCREW
6	61720-006	SPRING WASHER
7	61720-007	CYLINDER CAP
8	61720-008	GASKET
9	61720-009	LENGTHEN LOOP
10	61720-010	VALVE SEAL
11	61720-011	SPRING
12	61720-012	O-RING 15.7×2
13	61720-013	O-RING 38.8×3
14	61720-014	O-RING 33.5×3.5
15	61720-015	VALVE
16	61720-016	STOPPED WASHER
17	61720-017	O-RING 50.5×2.5
18	61720-018	COLLAR
19	61720-019	O-RING 28.3×3
20	61720-020	PISTON ASSEMBLY
21	61720-021	O-RING 36.3×2.5
22	61720-022	CYLINDER
23	61720-023	BUMPER
24	61720-024	BODY
25	61720-025	JOINT GUIDE
26	61720-026	SAFE GUIDER GUIDE
27	61720-027	SPRING
28	61720-028	SAFE BRACKET A
29	61720-029	SAFE BRACKET B
30	61720-030	SAFE BRACKET C
31	61720-031	SPRING PIN
32	61720-032	SEAL
33	61720-033	TRIGGER VALVE HEAD
34	61720-034	STEM SPRING
35	61720-035	O-RING 5.5×1.5
36	61720-036	TRIGGER VALVE STEM

Item	Stock #	Description
37	61720-037	O-RING 15×1.9
38	61720-038	TRIGGER VALVE GUIDE
39	61720-039	TRIGGER SPRING
40	61720-040	SPRING PIN
41	61720-041	RAIL
42	61720-042	PIN
43	61720-043	TRIGGER
44	61720-044	WASHER
45	61720-045	PLATE
46	61720-046	SCREW
47	61720-047	FRONT PLATE
48	61720-048	LATCH ASSEMBLY
49	61720-049	SPRING PIN
50	61720-050	SPRING PIN
51	61720-051	SCREW
52	61720-052	DRIVE GUIDE
53	61720-053	SPRING PIN
54	61720-054	MOVABLE MAGAZINE
55	61720-055	LOCK SPRING
56	61720-056	LOCK
57	61720-057	PIN
58	61720-058	FEEDER SHOE
59	61720-059	SPRING
60	61720-060	SPRING RETAINER
61	61720-061	SCREW
62	61720-062	MAGAZINE SUPPORT
63	61720-063	STOPPED PIECE
64	61720-064	FIXED MAGAZINE
65	61720-065	SCREW
66	61720-066	SUPPORT
67	61720-067	NUT
68	61720-068	SCREW
69	61720-069	SOFT GRIP SLEEVE
70	61720-070	O-RING 40.2×2.3
71	61720-071	END CAP
72	61720-072	AIR PLUG

LIMITED ONE YEAR WARRANTY

WEN Products is committed to building tools that are dependable for years. Our warranties are consistent with this commitment and our dedication to quality.

LIMITED WARRANTY OF WEN CONSUMER POWER TOOLS PRODUCTS FOR HOME USE

GREAT LAKES TECHNOLOGIES, LLC (“Seller”) warrants to the original purchaser only, that all WEN consumer power tools will be free from defects in material or workmanship for a period of one (1) year from date of purchase. Ninety days for all WEN products, if the tool is used for professional use.

SELLER’S SOLE OBLIGATION AND YOUR EXCLUSIVE REMEDY under this Limited Warranty and, to the extent permitted by law, any warranty or condition implied by law, shall be the repair or replacement of parts, without charge, which are defective in material or workmanship and which have not been misused, carelessly handled, or misrepaired by persons other than Seller or Authorized Service Center. To make a claim under this Limited Warranty, you must make sure to keep a copy of your proof of purchase that clearly defines the Date of Purchase (month and year) and the Place of Purchase. Place of purchase must be a direct vendor of Great Lakes Technologies, LLC. Third party vendors such as garage sales, pawn shops, resale shops, or any other secondhand merchant void the warranty included with this product. Contact techsupport@wenproducts.com or 1-800-232-1195 to make arrangements for repairs and transportation.

When returning a product for warranty service, the shipping charges must be prepaid by the purchaser. The product must be shipped in its original container (or an equivalent), properly packed to withstand the hazards of shipment. The product must be fully insured with a copy of the warranty card and/or the proof of purchase enclosed. There must also be a description of the problem in order to help our repairs department diagnose and fix the issue. Repairs will be made and the product will be returned and shipped back to the purchaser at no charge.

THIS LIMITED WARRANTY DOES NOT APPLY TO ACCESSORY ITEMS THAT WEAR OUT FROM REGULAR USAGE OVER TIME INCLUDING BELTS, BRUSHES, BLADES, ETC.

ANY IMPLIED WARRANTIES SHALL BE LIMITED IN DURATION TO ONE (1) YEAR FROM DATE OF PURCHASE. SOME STATES IN THE U.S., SOME CANADIAN PROVINCES DO NOT ALLOW LIMITATIONS ON HOW LONG AN IMPLIED WARRANTY LASTS, SO THE ABOVE LIMITATION MAY NOT APPLY TO YOU.

IN NO EVENT SHALL SELLER BE LIABLE FOR ANY INCIDENTAL OR CONSEQUENTIAL DAMAGES (INCLUDING BUT NOT LIMITED TO LIABILITY FOR LOSS OF PROFITS) ARISING FROM THE SALE OR USE OF THIS PRODUCT. SOME STATES IN THE U.S. AND SOME CANADIAN PROVINCES DO NOT ALLOW THE EXCLUSION OR LIMITATION OF INCIDENTAL OR CONSEQUENTIAL DAMAGES, SO THE ABOVE LIMITATION OR EXCLUSION MAY NOT APPLY TO YOU.

THIS LIMITED WARRANTY GIVES YOU SPECIFIC LEGAL RIGHTS, AND YOU MAY ALSO HAVE OTHER RIGHTS WHICH VARY FROM STATE TO STATE IN THE U.S., PROVINCE TO PROVINCE IN CANADA AND FROM COUNTRY TO COUNTRY.

THIS LIMITED WARRANTY APPLIES ONLY TO PORTABLE ELECTRIC TOOLS, BENCH POWER TOOLS, OUTDOOR POWER EQUIPMENT AND PNEUMATIC TOOLS SOLD WITHIN THE UNITED STATES OF AMERICA, CANADA AND THE COMMONWEALTH OF PUERTO RICO. FOR WARRANTY COVERAGE WITHIN OTHER COUNTRIES, CONTACT THE WEN CUSTOMER SUPPORT LINE.