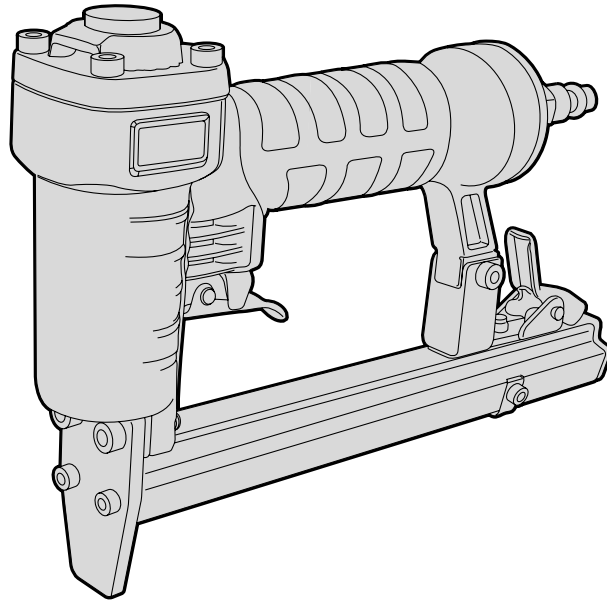




**MODEL 61705**

# **20-GAUGE 3/8-INCH CROWN STAPLER**



For replacement parts visit  
**WENPRODUCTS.COM**

## **IMPORTANT:**

Your new tool has been engineered and manufactured to WEN's highest standards for dependability, ease of operation, and operator safety. When properly cared for, this product will supply you years of rugged, trouble-free performance. Pay close attention to the rules for safe operation, warnings, and cautions. If you use your tool properly and for its intended purpose, you will enjoy years of safe, reliable service.



## **NEED HELP? CONTACT US!**

Have product questions? Need technical support?  
Please feel free to contact us at:



**800-232-1195** (M-F 8am-5pm CST)



**techsupport@wenproducts.com**



**WENPRODUCTS.COM**

**NOTICE:** Please refer to [wenproducts.com](http://wenproducts.com) for the most up-to-date instruction manual.

## **TABLE OF CONTENTS**

---

|                                      |    |
|--------------------------------------|----|
| Specifications .....                 | 2  |
| Introduction .....                   | 3  |
| General Safety Rules .....           | 4  |
| Specific Rules for the Stapler ..... | 6  |
| Know Your Stapler.....               | 8  |
| Operation .....                      | 9  |
| Troubleshooting Guide .....          | 11 |
| Exploded View & Parts List .....     | 12 |
| Warranty Statement.....              | 14 |

## **SPECIFICATIONS**


---

|                          |                  |
|--------------------------|------------------|
| Model Number             | 61705            |
| Operating Pressure Range | 70 psi - 100 psi |
| Air Inlet                | 1/4" NPT         |
| Staple Length            | 1/4" - 9/16"     |
| Staple Size              | 20 Gauge, T50    |
| Crown                    | 3/8"             |
| Staple Capacity          | 100              |
| Air Consumption          | 0.28 SCFM        |
| Weight                   | 1.8 lbs          |

## INTRODUCTION

---

Thanks for purchasing the WEN crown stapler. We know you are excited to put your tool to work, but first, please take a moment to read through the manual. Safe operation of this tool requires that you read and understand this operator's manual and all the labels affixed to the tool. This manual provides information regarding potential safety concerns, as well as helpful assembly and operating instructions for your tool.

 **WARNING:** Indicates danger, warning, or caution. The safety symbols and the explanations with them deserve your careful attention and understanding. Always follow the safety precautions to reduce the risk of fire, electric shock and personal injury. However, please note that these instructions and warnings are not substitutes for proper accident prevention measures.

**NOTE:** The following safety information is not meant to cover all possible conditions and situations that may occur. WEN reserves the right to change this product and specifications at any time without prior notice.

**Keep this manual available to all users during the entire life of the tool and review it frequently to maximize safety for both yourself and others.**

# GENERAL SAFETY RULES

**Safety is a combination of common sense, staying alert, and knowing how your item works. SAVE THESE SAFETY INSTRUCTIONS.**

**⚠ WARNING:** Read and understand all warnings, cautions and operating instructions before using this tool. Failure to follow all instructions listed below may result in personal injury and tool damage.

## WORK AREA SAFETY

1. Keep work area clean and well lit. Cluttered or dark areas invite accidents.
2. Do not operate power tools in explosive atmospheres, such as in the presence of flammable liquids, gases or dust. Power tools create sparks which may ignite the dust or fumes.
3. Do not expose power tools to rain or wet conditions. Water entering a power tool will increase the risk of electric shock.
4. Keep children and bystanders away while operating a power tool. Distractions can cause you to lose control.

## ELECTRICAL SAFETY

1. Power tool plugs must match the outlet. Never modify the plug in any way. Do not use any adapter plugs with earthed (grounded) power tools. Unmodified plugs and matching outlets will reduce risk of electric shock.
2. Avoid body contact with earthed or grounded surfaces such as pipes, radiators, ranges and refrigerators. There is an increased risk of electric shock if your body is earthed or grounded.
3. Do not abuse the cord. Never use the cord for carrying, pulling or unplugging the power tool. Keep cord away from heat, oil, sharp edges or moving parts. Damaged or entangled cords increase the risk of electric shock.
4. If operating a power tool in a damp location is unavoidable, use a ground fault circuit interrupter (GFCI) protected supply. Use of a GFCI reduces the risk of electric shock.

## PERSONAL SAFETY

1. Stay alert, watch what you are doing and use common sense when operating a power tool. Do not use a power tool while you are tired or under the influence of drugs, alcohol or medication. A moment of inattention while operating power tools may result in serious personal injury.
2. Use personal protective equipment. Always wear eye protection. Protective equipment such as a dust mask, non-skid safety shoes and hearing protection used for appropriate conditions will reduce the risk of personal injury.
3. Dress properly. Do not wear loose clothing or jewelry. Keep your hair and clothing away from moving parts. Loose clothes, jewelry or long hair can be caught in moving parts.

# GENERAL SAFETY RULES

4. Prevent unintentional starting. Ensure the switch is in the off-position before connecting to power source and/or battery pack, picking up or carrying the tool. Carrying power tools with your finger on the switch or energizing power tools that have the switch on invites accidents.
5. Remove any adjusting key or wrench before turning the power tool on. A wrench or a key left attached to a rotating part of the power tool may result in personal injury.
6. Do not overreach. Keep proper footing and balance at all times. This enables better control of the power tool in unexpected situations.
7. If devices are provided for the connection of dust extraction and collection facilities, ensure these are connected and properly used. Use of dust collection can reduce dust-related hazards.


## POWER TOOL USE AND CARE

1. Do not force the power tool. Use the correct power tool for your application. The correct power tool will do the job better and safer at the rate for which it was designed.
2. Do not use the power tool if the switch does not turn it on and off. Any power tool that cannot be controlled with the switch is dangerous and must be repaired.
3. Disconnect the plug from the power source and/or the battery pack from the power tool before making any adjustments, changing accessories, or storing power tools. Such preventive safety measures reduce the risk of starting the power tool accidentally.
4. Store idle power tools out of the reach of children and do not allow persons unfamiliar with the power tool or these instructions to operate the power tool. Power tools are dangerous in the hands of untrained users.
5. Maintain power tools. Check for misalignment or binding of moving parts, breakage of parts and any other condition that may affect the power tool's operation. If damaged, have the power tool repaired before use. Many accidents are caused by poorly maintained power tools.
6. Use the power tool, accessories and tool bits etc. in accordance with these instructions, taking into account the working conditions and the work to be performed. Use of the power tool for operations different from those intended could result in a hazardous situation.

## SERVICE

Have your power tool serviced by a qualified repair person using only identical replacement parts. This will ensure that the safety of the power tool is maintained.

# SPECIFIC RULES FOR STAPLERS

 **WARNING:** To avoid mistakes and serious injury, do not use your tool until the following steps have been read and understood.


## 1. AIR PRESSURE

- Use air pressure that is compatible with the ratings on the nameplate of the tool.
- Air pressure should not exceed 100 psi or 6.9 bar.
- Do not connect the tool to a compressor rated at over 175 psi even in the event of a regulator failure.
- Use only clean, dry, and regulated air. Condensation from an air compressor can rust and damage the internal workings of the tool.

2. DO NOT FORCE THE TOOL to do a job for which it was not designed.

## 3. PERSONAL SAFETY

- Always wear ANSI Z87.1-approved glasses with side shields, hearing protection and a dust mask.
- Do not wear loose clothing or jewelry, as they might get drawn in by the tool. Tie back long hair.
- DO NOT wear gloves while operating this machine.
- Wear a FACE MASK or DUST MASK to fight the debris produced by operation and ear protection to fight hearing loss.

 **WARNING:** Dust generated from certain materials can be hazardous to your health. Always operate the tool in a well-ventilated area and provide for proper dust removal. Use dust collection systems whenever possible.

4. ALWAYS USE an air hose that is rated at a maximum working pressure of at least 150 psi (10.4 bar)

5. DO NOT USE BOTTLED GASES to power this tool. Bottled compressed gases such as oxygen, carbon dioxide, nitrogen, hydrogen, propane, acetylene or air are not for use with pneumatic tools. Never use combustible gases or any other reactive gas as a power source for this tool. Danger of explosion and/or serious personal injury may result.

6. USE COUPLINGS that relieve all pressure from the tool when it is disconnected from the power supply. Use hose connectors that shut off the air supply from the compressor when the tool is disconnected.

7. DISCONNECT tool from air supply when not in use. Remove fasteners from magazine before leaving the area or passing the tool to another operator. Do not climb ladders, stairs, scaffoldings, etc. without disconnecting the tool. Do not carry a connected tool to another work area. Do not make adjustments, remove magazine, perform maintenance or clear jammed fasteners while connected to the air supply.

8. DO NOT LOAD FASTENERS before connecting the tool to the air supply. Otherwise, fasteners are at risk of being fired during connection. The tool's driving mechanism may cycle when it is connected to the air supply. Do not load fasteners when the trigger or the safety is pressed down in order to prevent unintentional firing of a fastener.

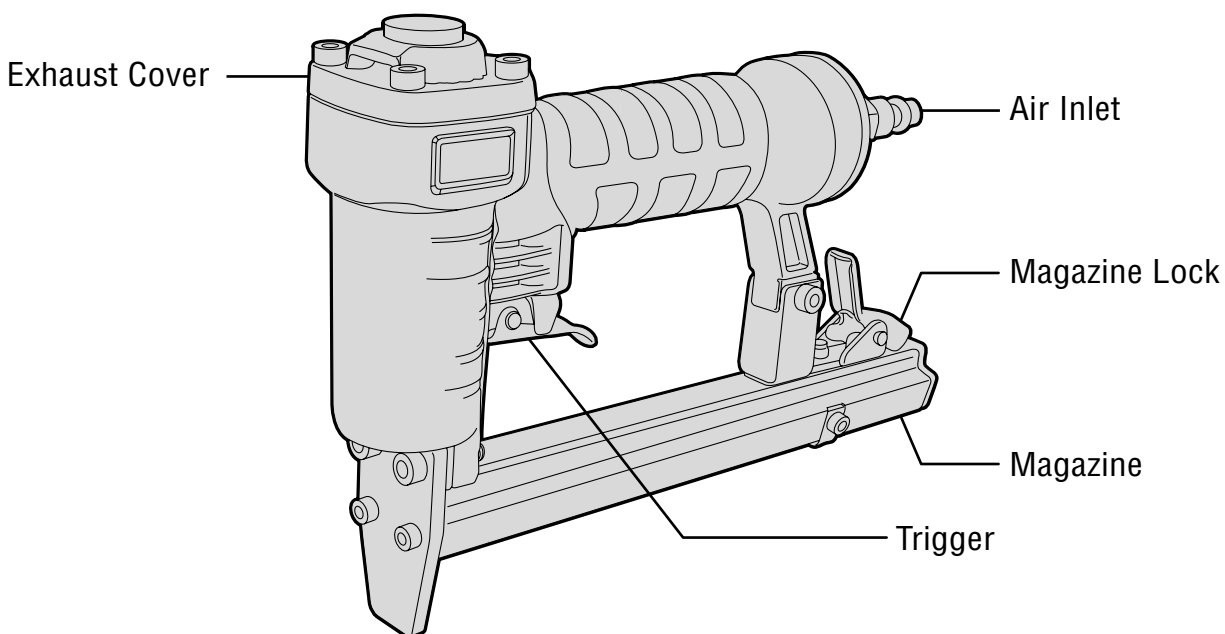
9. DO NOT PRESS THE TRIGGER WHEN LOADING.

## SPECIFIC RULES FOR STAPLERS

10. DO NOT REMOVE, tamper with, or otherwise cause the tool or trigger to become inoperable. Do not tape or tie the trigger in the ON position. Make daily inspections for free movement of the trigger. Uncontrolled discharge may result. Do not alter or modify the tool in any way.
11. DO NOT OVERREACH. Keep proper footing and balance at all times. Wear oil-resistant rubber-soled footwear. Keep the floor clear of oil, scrap, and other debris.
12. MAINTAIN TOOLS PROPERLY. ALWAYS keep tools clean and in good working order. Follow instructions for lubricating and changing accessories. Inspect tool before use. Do not operate if any portion of the tool or trigger is damaged, inoperable, disconnected, or altered. Leaking air, damaged parts, or missing parts should be repaired or replaced before use.
13. ALWAYS ASSUME that the tool contains fasteners. Do not point the tool at yourself, bystanders, or animals at any time, even if you think it will be really funny.
14. DO NOT DRIVE STAPLES onto the heads of other fasteners. Do not use the tool at too steep of an angle. Personal injury from strong recoil, jammed fasteners, or ricocheted staples may result.
15. BE AWARE of material thickness when using the stapler. A protruding staple may cause injury.
16. KNOW that when the tool is being utilized at pressures on the high end of its operating range, staples can be driven completely through thin or very soft work material. Make sure the pressure in the compressor is set so that staples are set into the material and not pushed completely through.
17. DO NOT USE THE TOOL in the presence of flammable dust, gases or fumes. The tool may produce a spark that could ignite gases causing a fire. Driving a staple into another staple may also cause a spark.
18. GRIP THE TOOL FIRMLY to maintain control while still allowing it to recoil away from the work surface as the fastener is driven. In bump action mode (contact actuation mode), be careful as to not fire an unwanted fastener.
19. USE PROPER EXTENSION CORDS. When using an air compressor outdoors, use only extension cords rated for outdoor use. See manufacturer's manual for the AWG required for the compressor's amperage draw.
20. PAY ATTENTION TO AIR HOSE AND THEIR CONNECTIONS. Don't trip over the hoses. It isn't fun. Also, make sure the connections are nice and tight.
21. WHEN CONNECTING TO THE AIR SUPPLY the tool is at risk of possibly firing fasteners. Therefore, remove all the fasteners before connecting to the air.
22. IF THE FASTENERS ARE JAMMED, disconnect the tool from the air supply first before removing the jammed fasteners.

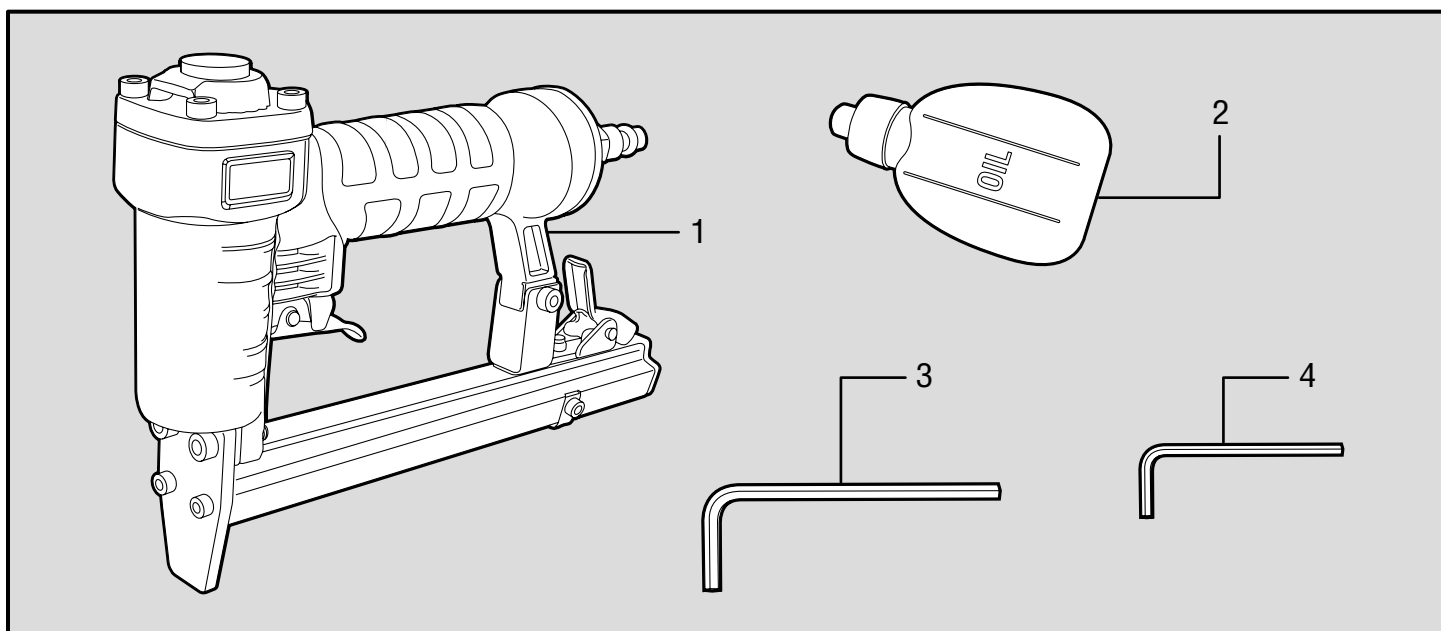
**These safety instructions can't possibly warn of every scenario that may arise with this tool, so always make sure to stay alert and use common sense during operation.**

# KNOW YOUR STAPLER



## PACKING LIST

Check your packing list against the diagram below. If any part is damaged or missing, please contact our customer service at (800) 232-1195, M-F 8-5 CST or email us at [techsupport@wenproducts.com](mailto:techsupport@wenproducts.com).



1. Crown Stapler
2. Oil
3. 4 mm hex wrench
4. 3 mm hex wrench



# OPERATION

## LUBRICATION

This tool requires lubrication before each use (especially the first use). If an in-line oiler is used, manual lubrication through the air inlet is not required.

**NOTE:** the work surface can become damaged by excessive lubrication. Proper lubrication is the owner's responsibility. Failure to lubricate the tool properly will drastically shorten the life of the tool and void the warranty.

1. Disconnect the air supply from the tool to add lubricant.
2. Turn the tool so the air inlet is facing up. Place 4-5 drops of 30W non-detergent air tool oil (included) into the air inlet.
3. After adding oil, run tool briefly. Wipe off any excess oil from the exhaust.

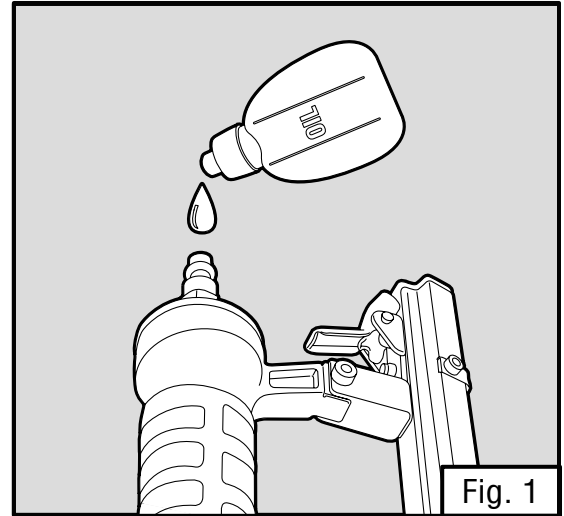


Fig. 1

## RECOMMENDED HOOKUP

Your stapler is fully assembled when you receive it. Before using it, attach the air line and desired air system accessories. See below for the recommended accessories and connection order. Be sure the air hose is depressurized when installing or removing adapters to the air line.

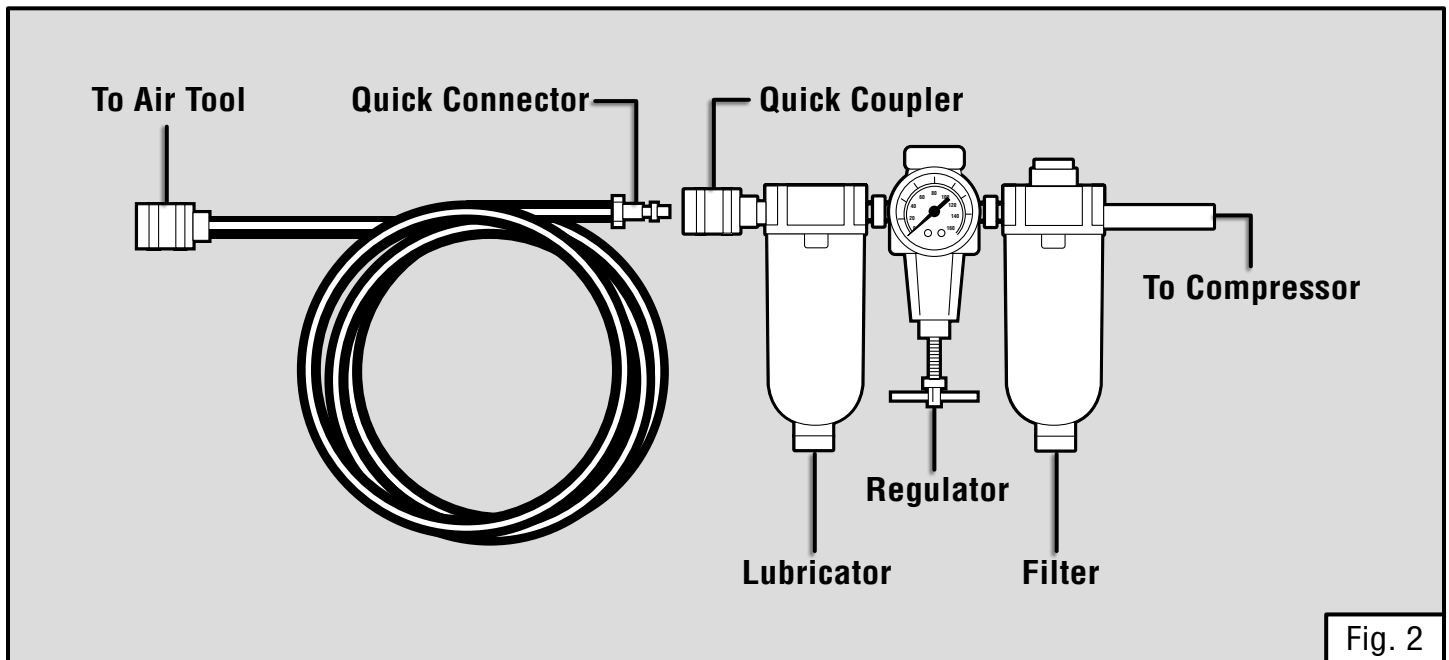


Fig. 2

### OPERATING AIR PRESSURE: 70-100 psi

Select the operating air pressure within this range for best tool performance.

**DO NOT EXCEED THIS RECOMMENDED OPERATING PRESSURE.**

# OPERATION

## LOADING THE STAPLER (FIG. 3)

**⚠ WARNING:** TO PREVENT SERIOUS INJURY FROM ACCIDENTAL OPERATION, BEFORE LOADING:

- You and other people in the work area must wear ANSI-approved safety goggles with side shields.
- Release the trigger.
- Connect the tool to a compressed air source.
- Attempt to fire the tool into a piece of scrap wood to ensure that it is incapable of firing any fasteners.

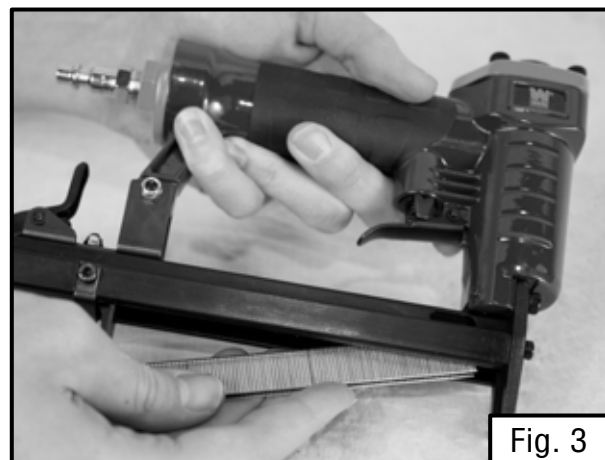
1. Only use the proper size and type of staple with this stapler. Refer to the specifications table on p. 2 for the correct staple dimensions.

2. Press the magazine lock to release it, then pull the movable magazine downwards to open it.

3. Turn the stapler upside down. Place a full clip of staples inside the magazine so the pointed ends of the staples are directed away from the stapler.

4. Keep fingers clear while sliding the movable magazine unit closed until it clicks shut.

5. Rotate the exhaust deflector to redirect exhaust air away from you.



## GENERAL OPERATING INSTRUCTIONS

1. Always test the tool before each use.

2. If an automatic oiler is not used, add a few drops of 30W non-detergent air tool oil to the airline connection before use. Add a few drops more after each hour of continual use.

3. Place the head of the stapler against the surface you wish to staple. Be sure to keep your hands, fingers and other body parts away from the nozzle.

4. Press the trigger to activate the stapler.

5. If the tool requires more force to accomplish the task, verify that the tool receives sufficient, unobstructed airflow (CFM) and increase the pressure (PSI) output of the regulator up to the maximum air pressure rating of this tool.

**⚠ CAUTION:** TO PREVENT TOOL AND ACCESSORY FAILURE, RESULTING IN INJURY: Do not exceed the tool's maximum air pressure rating of 100 PSI. If the tool still does not have sufficient force at maximum pressure and sufficient airflow, then a larger tool may be required.

# OPERATION

## AFTER USE, TO PREVENT ACCIDENTS:

1. Release the trigger.
2. Detach the air supply.
3. Attempt to fire the tool into a piece of scrap wood to ensure that it is disconnected and is incapable of firing any fasteners.
4. Release the trigger again.
5. Clean external surfaces with clean, dry cloth.
6. Store indoors and out of reach of children and unauthorized people.

## CLEARING A JAMMED STAPLE

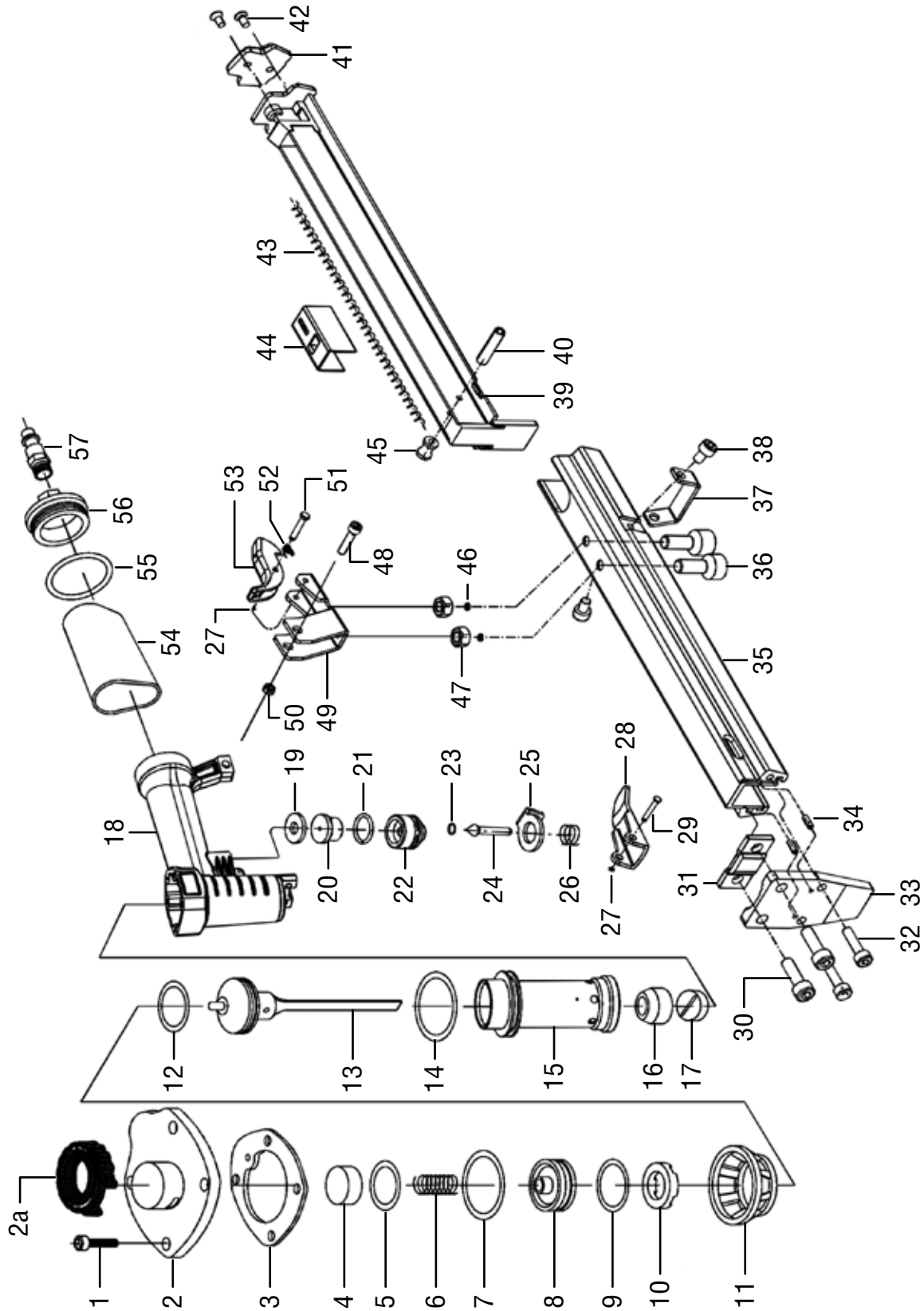
**⚠ WARNING:** Disconnect the air line from the stapler and remove staples from the magazine before making adjustments or personal injury may result.

1. If a staple is jammed in the discharge area, remove it with pliers.
2. If a staple is jammed in the magazine, pull the magazine unit all the way back to the engaged position. Use a screwdriver to release the jammed fastener by probing the openings in the magazine.
3. Pull out the jammed staple and the remainder of the staple strip that is still in the magazine. Dispose of the remaining staple strip; it may be bent or damaged in some other way.
4. If you are unable to clear the staple jam using the method prescribed above, call WEN Customer Service at 1-800-232-1195, M-F, 8-5 CST for assistance, or email [techsupport@wenproducts.com](mailto:techsupport@wenproducts.com).

# TROUBLESHOOTING GUIDE

| Problem                             | Cause  | Solution   |
|-------------------------------------|--|--|
| Air leaking at trigger area         | <ol style="list-style-type: none"><li>1. O-ring in trigger valve stem is worn and damaged.</li><li>2. O-ring in trigger valve head is worn and damaged.</li><li>3. Foreign matter is preventing the trigger from moving to OFF position.</li></ol> | <ol style="list-style-type: none"><li>1. Check/replace O-ring/lubricate.</li><li>2. Check/replace O-ring/lubricate.</li><li>3. Clean the tool/lubricate.</li></ol>                                 |
| Failure to start tool.              | <ol style="list-style-type: none"><li>1. Tool dry, lacks lubrication.</li><li>2. The spring in the cylinder cap is damaged.</li><li>3. Valve sticks with cylinder cap.</li><li>4. No compressed air.</li></ol>                                     | <ol style="list-style-type: none"><li>1. Use pneumatic tool oil.</li><li>2. Replace the spring in the cylinder cap.</li><li>3. Disassemble/check/lubricate.</li><li>4. Check air supply.</li></ol> |
| Blade driving fasteners too deeply. | <ol style="list-style-type: none"><li>1. Safe bracket position is not correct.</li><li>2. Air pressure is too high.</li></ol>  | <ol style="list-style-type: none"><li>1. Move the safety bracket down.</li><li>2. Decrease air pressure.</li></ol>   |
| Fasteners are jammed.               | Fasteners are wrong size.  | Use recommended fasteners.   |

# EXPLODED VIEW & PARTS LIST



## EXPLODED VIEW & PARTS LIST

| NO. | MODEL      | DESCRIPTION          |
|-----|------------|----------------------|
| 1   | 61702-001  | Screw                |
| 2   | 61705-002  | Cylinder Cap         |
| 2a  | 61702-002a | Exhaust Deflector    |
| 3   | 61702-003  | Gasket               |
| 4   | 61702-004  | Seal                 |
| 5   | 61702-005  | O-Ring 15.7 x 2      |
| 6   | 61702-006  | Spring               |
| 7   | 61702-007  | O-Ring 31.3 x 2.3    |
| 8   | 61702-008  | Valve                |
| 9   | 61702-009  | O-Ring 26.8 x 2.8    |
| 10  | 61702-010  | Stopped Washer       |
| 11  | 61702-011  | Collar               |
| 12  | 61702-012  | O-Ring 23.3 x 3      |
| 13  | 61702-013  | Piston Assembly      |
| 14  | 61702-014  | O-Ring 35.3 x 2.5    |
| 15  | 61702-015  | Cylinder             |
| 16  | 61702-016  | Bumper               |
| 17  | 61702-017  | Seal                 |
| 18  | 61705-018  | Body                 |
| 19  | 61702-019  | Seal                 |
| 20  | 61702-020  | Trigger Valve Head   |
| 21  | 61702-021  | O-Ring 15 x 1.9      |
| 22  | 61702-022  | Trigger Valve Guider |
| 23  | 61702-023  | O-Ring 6.5 x 1.4     |
| 24  | 61702-024  | Trigger Valve Stem   |
| 25  | 61702-025  | Safe Bracket         |
| 26  | 61702-026  | Spring               |
| 27  | 61702-027  | Lock Washer          |
| 28  | 61705-028  | Trigger              |
| 29  | 61702-029  | Pin                  |

| NO. | MODEL     | DESCRIPTION           |
|-----|-----------|-----------------------|
| 30  | 61702-030 | Screw                 |
| 31  | 61702-031 | Plate                 |
| 32  | 61702-032 | Screw                 |
| 33  | 61702-033 | Drive Guide           |
| 34  | 61702-034 | Spring Pin 2 x 10     |
| 35  | 61702-035 | Fixed Magazine Unit   |
| 36  | 61702-036 | Screw                 |
| 37  | 61702-037 | Stopped Piece         |
| 38  | 61702-038 | Screw                 |
| 39  | 61702-039 | Movable Magazine Unit |
| 40  | 61702-040 | Spring Pin 2.5 x 9    |
| 41  | 61702-041 | Screw                 |
| 42  | 61702-042 | Safe Cover            |
| 43  | 61702-043 | Spring                |
| 44  | 61702-044 | Feeder Shoe           |
| 45  | 61702-045 | Pulley                |
| 46  | 61702-046 | Spring Washer         |
| 47  | 61702-047 | Nut                   |
| 48  | 61702-048 | Screw                 |
| 49  | 61705-049 | Support               |
| 50  | 61702-050 | Nut                   |
| 51  | 61702-051 | Pin                   |
| 52  | 61702-052 | Torsion Spring        |
| 53  | 61705-053 | Magazine Lock         |
| 54  | 61702-054 | Soft Grip Sleeve      |
| 55  | 61702-055 | O-Ring 40.2 x 2.3     |
| 56  | 61705-056 | End Cap               |
| 57  | 61702-057 | Air Plug              |

# WARRANTY STATEMENT

WEN Products is committed to building tools that are dependable for years. Our warranties are consistent with this commitment and our dedication to quality.

## LIMITED WARRANTY OF WEN PRODUCTS FOR HOME USE

GREAT LAKES TECHNOLOGIES, LLC (“Seller”) warrants to the original purchaser only, that all WEN consumer power tools will be free from defects in material or workmanship during personal use for a period of two (2) years from date of purchase or 500 hours of use; whichever comes first. Ninety days for all WEN products if the tool is used for professional or commercial use. Purchaser has 30 days from the date of purchase to report missing or damaged parts.

SELLER’S SOLE OBLIGATION AND YOUR EXCLUSIVE REMEDY under this Limited Warranty and, to the extent permitted by law, any warranty or condition implied by law, shall be the replacement of parts, without charge, which are defective in material or workmanship and which have not been subjected to misuse, alteration, careless handling, misrepair, abuse, neglect, normal wear and tear, improper maintenance, or other conditions adversely affecting the Product or the component of the Product, whether by accident or intentionally, by persons other than Seller. To make a claim under this Limited Warranty, you must make sure to keep a copy of your proof of purchase that clearly defines the Date of Purchase (month and year) and the Place of Purchase. Place of Purchase must be a direct vendor of Great Lakes Technologies, LLC. Purchasing through third party vendors, including but not limited to garage sales, pawn shops, resale shops, or any other secondhand merchant, voids the warranty included with this product. Contact [techsupport@wenproducts.com](mailto:techsupport@wenproducts.com) or 1-800-232-1195 with the following information to make arrangements: your shipping address, phone number, serial number, required part numbers, and proof of purchase. Damaged or defective parts and products may need to be sent to WEN before the replacements can be shipped out.

Upon the confirmation of a WEN representative, your product may qualify for repairs and service work. When returning a product for warranty service, the shipping charges must be prepaid by the purchaser. The product must be shipped in its original container (or an equivalent), properly packed to withstand the hazards of shipment. The product must be fully insured with a copy of the proof of purchase enclosed. There must also be a description of the problem in order to help our repairs department diagnose and fix the issue. Repairs will be made and the product will be returned and shipped back to the purchaser at no charge for addresses within the contiguous United States.

THIS LIMITED WARRANTY DOES NOT APPLY TO ITEMS THAT WEAR OUT FROM REGULAR USAGE OVER TIME, INCLUDING BELTS, BRUSHES, BLADES, BATTERIES, ETC. ANY IMPLIED WARRANTIES SHALL BE LIMITED IN DURATION TO TWO (2) YEARS FROM DATE OF PURCHASE. SOME STATES IN THE U.S. AND SOME CANADIAN PROVINCES DO NOT ALLOW LIMITATIONS ON HOW LONG AN IMPLIED WARRANTY LASTS, SO THE ABOVE LIMITATION MAY NOT APPLY TO YOU.

IN NO EVENT SHALL SELLER BE LIABLE FOR ANY INCIDENTAL OR CONSEQUENTIAL DAMAGES (INCLUDING BUT NOT LIMITED TO LIABILITY FOR LOSS OF PROFITS) ARISING FROM THE SALE OR USE OF THIS PRODUCT. SOME STATES IN THE U.S. AND SOME CANADIAN PROVINCES DO NOT ALLOW THE EXCLUSION OR LIMITATION OF INCIDENTAL OR CONSEQUENTIAL DAMAGES, SO THE ABOVE LIMITATION OR EXCLUSION MAY NOT APPLY TO YOU.

THIS LIMITED WARRANTY GIVES YOU SPECIFIC LEGAL RIGHTS, AND YOU MAY ALSO HAVE OTHER RIGHTS WHICH VARY FROM STATE TO STATE IN THE U.S., PROVINCE TO PROVINCE IN CANADA AND FROM COUNTRY TO COUNTRY.

THIS LIMITED WARRANTY APPLIES ONLY TO ITEMS SOLD WITHIN THE UNITED STATES OF AMERICA, CANADA AND THE COMMONWEALTH OF PUERTO RICO. FOR WARRANTY COVERAGE WITHIN OTHER COUNTRIES, CONTACT THE WEN CUSTOMER SUPPORT LINE. FOR WARRANTY PARTS OR PRODUCTS REPAIRED UNDER WARRANTY SHIPPING TO ADDRESSES OUTSIDE OF THE CONTIGUOUS UNITED STATES, ADDITIONAL SHIPPING CHARGES MAY APPLY.



**THANKS FOR  
REMEMBERING**

