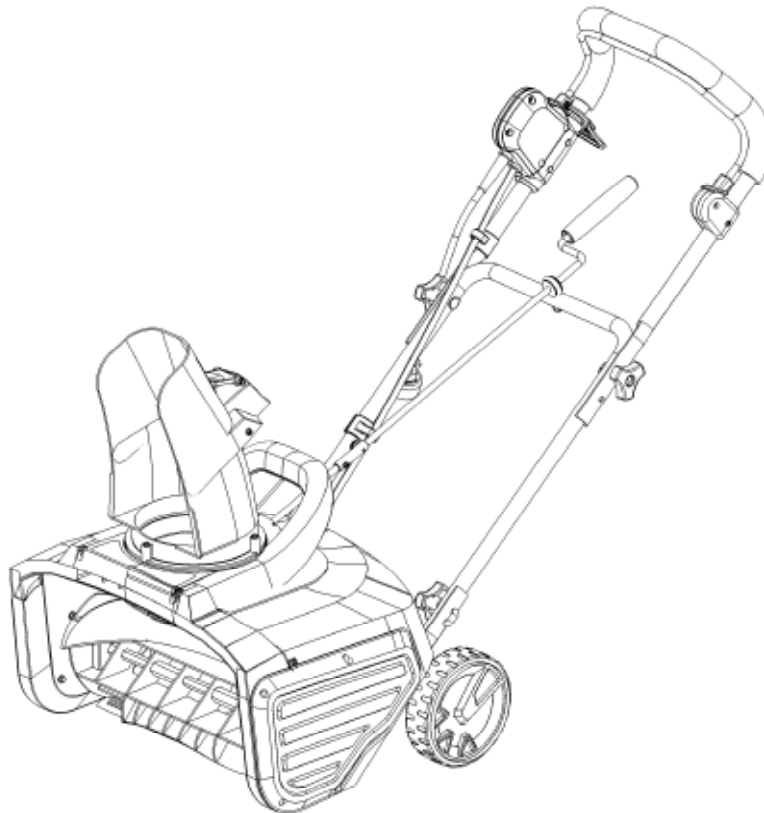




MODEL 5662, 5664

SNOW BLASTER

Instruction Manual



NEED HELP? CONTACT US!

Have product questions? Need technical support? Please feel free to contact us:



1-847-429-9263 (M-F 8AM-5PM CST)



TECHSUPPORT@WENPRODUCTS.COM

IMPORTANT: Your new tool has been engineered and manufactured to WEN's highest standards for dependability, ease of operation, and operator safety. When properly cared for, this product will supply you years of rugged, trouble-free performance. Pay close attention to the rules for safe operation, warnings, and cautions. If you use your tool properly and for its intended purpose, you will enjoy years of safe, reliable service.


For replacement parts and the most up-to-date instruction manuals, visit ***WENPRODUCTS.COM***

CONTENTS

WELCOME	3
<hr/>	
Introduction	3
Specifications.....	3
SAFETY	4
<hr/>	
General Safety Rules	4
Electrical Information.....	6
BEFORE OPERATING	7
<hr/>	
Unpacking & Packing List.....	7
Know Your Snow Blaster.....	7
Assembly & Adjustments.....	8
OPERATION & MAINTENANCE	9
<hr/>	
Operation	9
Maintenance.....	11
Exploded View & Parts List.....	12
Warranty Statement	14

INTRODUCTION

Thanks for purchasing the WEN Snow Blaster. We know you are excited to put your tool to work, but first, please take a moment to read through the manual. Safe operation of this tool requires that you read and understand this operator's manual and all the labels affixed to the tool. This manual provides information regarding potential safety concerns, as well as helpful assembly and operating instructions for your tool.

 Indicates danger, warning, or caution. The safety symbols and the explanations with them deserve your careful attention and understanding. Always follow the safety precautions to reduce the risk of fire, electric shock or personal injury. However, please note that these instructions and warnings are not substitutes for proper accident prevention measures.

NOTE: The following safety information is not meant to cover all possible conditions and situations that may occur. WEN reserves the right to change this product and specifications at any time without prior notice.

At WEN, we are continuously improving our products. If you find that your tool does not exactly match this manual, please visit wenproducts.com for the most up-to-date manual or contact our customer service at **1-847-429-9263**.

Keep this manual available to all users during the entire life of the tool and review it frequently to maximize safety for both yourself and others.

SPECIFICATIONS

Model Number	5662, 5664
Motor	120V, 60 Hz, 13.5A
Clearing Width	18 Inches
Clearing Height	7.8 Inches
Max Throwing Distance	20 Feet
Max Throwing Height	10 Feet
Wheel Size	6 Inches
Product Dimensions	44 in. x 19.5 in. x 38 in.
Product Weight	28 Pounds

GENERAL SAFETY RULES

 **WARNING!** Read all safety warnings and all instructions. Failure to follow the warnings and instructions may result in electric shock, fire and/or serious injury.

Safety is a combination of common sense, staying alert and knowing how your item works. The term “power tool” in the warnings refers to your mains-operated (corded) power tool or battery-operated (cordless) power tool.

SAVE THESE SAFETY INSTRUCTIONS.

WORK AREA SAFETY

- 1. Keep work area clean and well lit.** Cluttered or dark areas invite accidents.
- 2. Do not operate power tools in explosive atmospheres, such as in the presence of flammable liquids, gases or dust.** Power tools create sparks which may ignite the dust or fumes.
- 3. Keep children and bystanders away while operating a power tool.** Distractions can cause you to lose control.

ELECTRICAL SAFETY

- 1. Power tool plugs must match the outlet. Never modify the plug in any way. Do not use any adapter plugs with earthed (grounded) power tools.** Unmodified plugs and matching outlets will reduce risk of electric shock.
- 2. Avoid body contact with earthed or grounded surfaces such as pipes, radiators, ranges and refrigerators.** There is an increased risk of electric shock if your body is earthed or grounded.
- 3. Do not expose power tools to rain or wet conditions.** Water entering a power tool will increase the risk of electric shock.
- 4. Do not abuse the cord. Never use the cord for carrying, pulling or unplugging the power tool. Keep cord away from heat, oil, sharp edges or moving parts.** Damaged or entangled cords increase the risk of electric shock.
- 5. When operating a power tool outdoors, use an extension cord suitable for outdoor use.** Use of a cord suitable for outdoor use reduces the risk of electric shock.

6. If operating a power tool in a damp location is unavoidable, use a ground fault circuit interrupter (GFCI) protected supply. Use of a GFCI reduces the risk of electric shock.

PERSONAL SAFETY

- 1. Stay alert, watch what you are doing and use common sense when operating a power tool. Do not use a power tool while you are tired or under the influence of drugs, alcohol or medication.** A moment of inattention while operating power tools may result in serious personal injury.
- 2. Use personal protective equipment. Always wear eye protection.** Protective equipment such as a respiratory mask, non-skid safety shoes and hearing protection used for appropriate conditions will reduce the risk of personal injury.
- 3. Prevent unintentional starting. Ensure the switch is in the off-position before connecting to power source and/or battery pack, picking up or carrying the tool.** Carrying power tools with your finger on the switch or energizing power tools that have the switch on invites accidents.
- 4. Remove any adjusting key or wrench before turning the power tool on.** A wrench or a key left attached to a rotating part of the power tool may result in personal injury.
- 5. Do not overreach. Keep proper footing and balance at all times.** This enables better control of the power tool in unexpected situations.
- 6. Dress properly. Do not wear loose clothing or jewelry. Keep your hair and clothing away from moving parts.** Loose clothes, jewelry or long hair can be caught in moving parts.

GENERAL SAFETY RULES

 **WARNING!** Read all safety warnings and all instructions. Failure to follow the warnings and instructions may result in electric shock, fire and/or serious injury.

Safety is a combination of common sense, staying alert and knowing how your item works. The term “power tool” in the warnings refers to your mains-operated (corded) power tool or battery-operated (cordless) power tool.

SAVE THESE SAFETY INSTRUCTIONS.

7. If devices are provided for the connection of dust extraction and collection facilities, ensure these are connected and properly used. Use of dust collection can reduce dust-related hazards.

POWER TOOL USE AND CARE

1. Do not force the power tool. Use the correct power tool for your application. The correct power tool will do the job better and safer at the rate for which it was designed.

2. Do not use the power tool if the switch does not turn it on and off. Any power tool that cannot be controlled with the switch is dangerous and must be repaired.

3. Disconnect the plug from the power source and/or the battery pack from the power tool before making any adjustments, changing accessories, or storing power tools. Such preventive safety measures reduce the risk of starting the power tool accidentally.

4. Store idle power tools out of the reach of children and do not allow persons unfamiliar with the power tool or these instructions to operate the power tool. Power tools are dangerous in the hands of untrained users.

5. Maintain power tools. Check for misalignment or binding of moving parts, breakage of parts and any other condition that may affect the power tool's operation. If damaged, have the power tool repaired before use. Many accidents are caused by poorly maintained power tools.

6. Keep cutting tools sharp and clean. Properly maintained cutting tools with sharp cutting edges are less likely to bind and are easier to control.

7. Use the power tool, accessories and tool bits, etc. in accordance with these instructions, taking into account the working conditions and the work to be performed. Use of the power tool for operations different from those intended could result in a hazardous situation.

8. Use clamps to secure your workpiece to a stable surface. Holding a workpiece by hand or using your body to support it may lead to loss of control.

9. KEEP GUARDS IN PLACE and in working order.

SERVICE

1. Have your power tool serviced by a qualified repair person using only identical replacement parts. This will ensure that the safety of the power tool is maintained.

CALIFORNIA PROPOSITION 65 WARNING

Some dust created by power sanding, sawing, grinding, drilling, and other construction activities may contain chemicals, including lead, known to the State of California to cause cancer, birth defects, or other reproductive harm. Wash hands after handling. Some examples of these chemicals are:

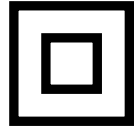
- Lead from lead-based paints.
- Crystalline silica from bricks, cement, and other masonry products.
- Arsenic and chromium from chemically treated lumber.

Your risk from these exposures varies depending on how often you do this type of work. To reduce your exposure to these chemicals, work in a well-ventilated area with approved safety equipment such as dust masks specially designed to filter out microscopic particles.

ELECTRICAL INFORMATION

DOUBLE-INSULATED TOOLS

The tool's electrical system is double-insulated where two systems of insulation are provided. This eliminates the need for the usual three-wire grounded power cord. Double-insulated tools do not need to be grounded, nor should a means for grounding be added to the product. All exposed metal parts are isolated from the internal metal components with protecting insulation.



IMPORTANT: Servicing a double-insulated product requires extreme care and knowledge of the system, and should be done only by qualified service personnel using identical replacement parts. Always use original factory replacement parts when servicing.

1. Polarized Plugs. To reduce the risk of electric shock, this equipment has a polarized plug (one blade is wider than the other). This plug will fit in a polarized outlet only one way. If the plug does not fit fully in the outlet, reverse the plug. If it still does not fit, contact a qualified electrician to install a proper outlet. Do not modify the machine plug or the extension cord in any way.

2. Ground fault circuit interrupter protection (GFCI) should be provided on the circuit or outlet used for this power tool to reduce the risk of electric shock.

3. Service and repair. To avoid danger, electrical appliances must only be repaired by a qualified service technician using original replacement parts.

GUIDELINES AND RECOMMENDATIONS FOR EXTENSION CORDS

When using an extension cord, be sure to use one heavy enough to carry the current your product will draw. An undersized cord will cause a drop in line voltage, resulting in loss of power and overheating. The table below shows the correct size to be used according to cord length and ampere rating. When in doubt, use a heavier cord. The smaller the gauge number, the heavier the cord.

AMPERAGE	REQUIRED GAUGE FOR EXTENSION CORDS			
	25 ft.	50 ft.	100 ft.	150 ft.
13.5A	14 gauge	12 gauge	Not Recommended	Not Recommended

1. Examine extension cord before use. Make sure your extension cord is properly wired and in good condition. Always replace a damaged extension cord or have it repaired by a qualified person before using it.

2. Do not abuse extension cord. Do not pull on cord to disconnect from receptacle; always disconnect by pulling on plug. Disconnect the extension cord from the receptacle before disconnecting the product from the extension cord. Protect your extension cords from sharp objects, excessive heat and damp/wet areas.

3. Use a separate electrical circuit for your tool. This circuit must not be less than a 12-gauge wire and should be protected with a 15A time-delayed fuse. Before connecting the motor to the power line, make sure the switch is in the OFF position and the electric current is rated the same as the current stamped on the motor nameplate. Running at a lower voltage will damage the motor.

UNPACKING & PACKING LIST

UNPACKING

With the help of a friend or trustworthy foe, such as your inlaws, carefully remove the snow blaster from the packaging and place it on a sturdy, flat surface. Make sure to take out all contents and accessories. Do not discard the packaging until everything is removed. Check the packing list below to make sure you have all of the parts and accessories. If any part is missing or broken, please contact customer service at **1-847-429-9263** (M-F 8-5 CST), or email techsupport@wenproducts.com.

PACKING LIST

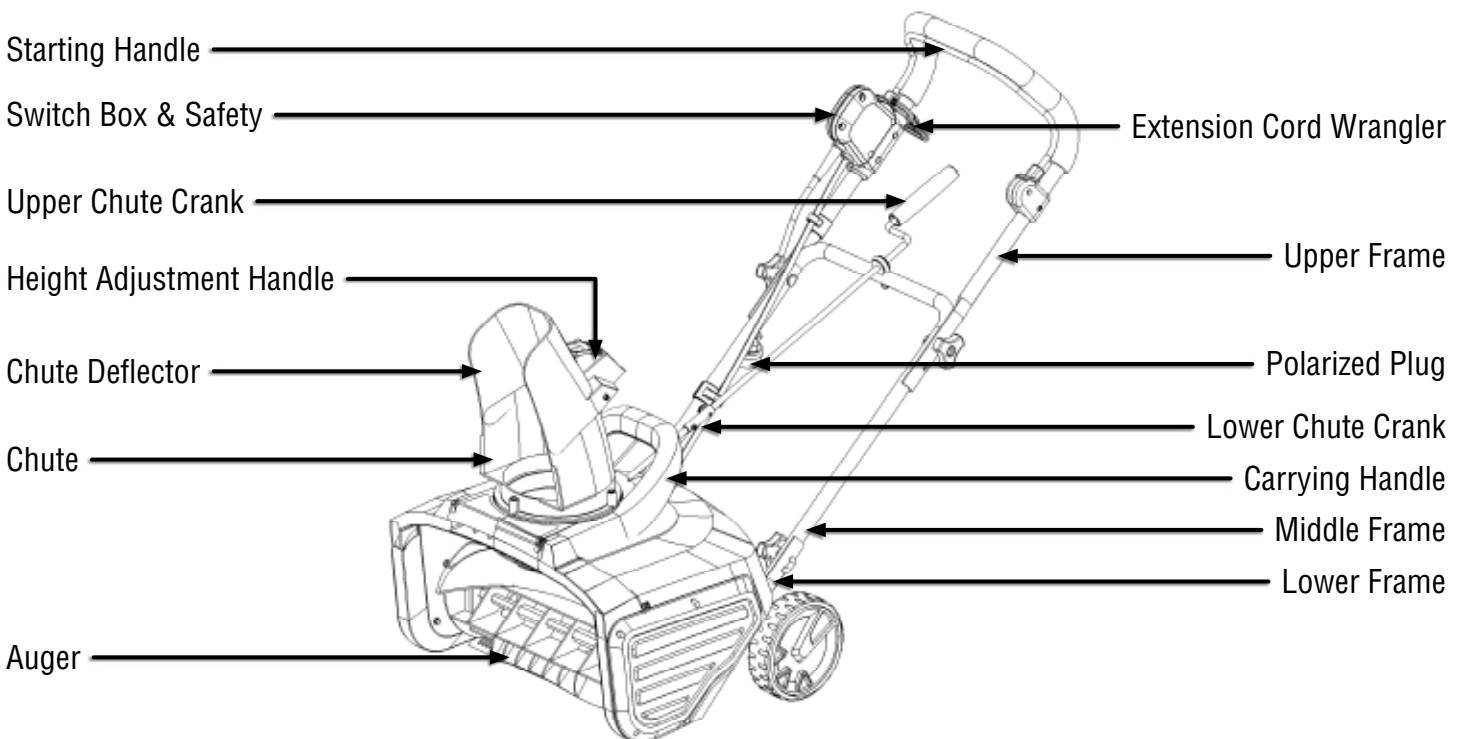
1. Chute (1)
2. Knobs (4)
3. Cable Clip (1)
4. Screws (4)
5. T-Bolts (2)
6. U-Bolts (2)
7. Upper Crank Handle (1)

RECOMMENDED BUT NOT INCLUDED

Use a Phillips head screwdriver to mount the chute to the body of the unit.

KNOW YOUR SNOW BLASTER

Refer to the following diagrams to become familiarized with all the parts and controls of your snow blaster. The components will be referred to later in the manual for assembly and operation instructions.



ASSEMBLY & ADJUSTMENTS

⚠ WARNING! Always be sure that the tool is switched off and unplugged before adjusting, adding accessories, or checking a function on the tool.

CHUTE ASSEMBLY (FIG. A)

1. Line the chute up with the screw holes mounted around the edge of the hole in top of the snow thrower's body. Make sure that the chute is facing forward, away from the lower frame assembly.
2. Using the included screws, tighten the chute onto the body of the snow thrower with a Phillips head screwdriver.

MIDDLE FRAME ASSEMBLY (FIG. B)

NOTE: The hole and grommet of the eye bolt on the middle assembly should be facing UPWARDS (as shown in Fig. C - 3).

1. Hold the middle frame so that the screw holes line up with the holes on the lower frame.
2. Insert a U-bolt (Fig. B - 2) through the bottom two screw holes. Secure in place with a knob (Fig. B - 1).
3. Repeat with the other side of the snow thrower.

UPPER FRAME ASSEMBLY

NOTE: The handle bar and the switch box should be facing UPWARDS.

1. Hold the upper frame in place so that the screw holes align with the holes on the middle frame.
2. Insert a T-Bolt (Fig. C - 2) into each hole with the head on the inside of the handle. Attach a knob to the outside and tighten (Fig. C - 1)
3. Repeat this step on the other side of the handle.
4. Secure the cable in place along the side of the frame using the cable clip. Attach the cable clip onto the middle frame assembly by snapping it onto the metal frame.

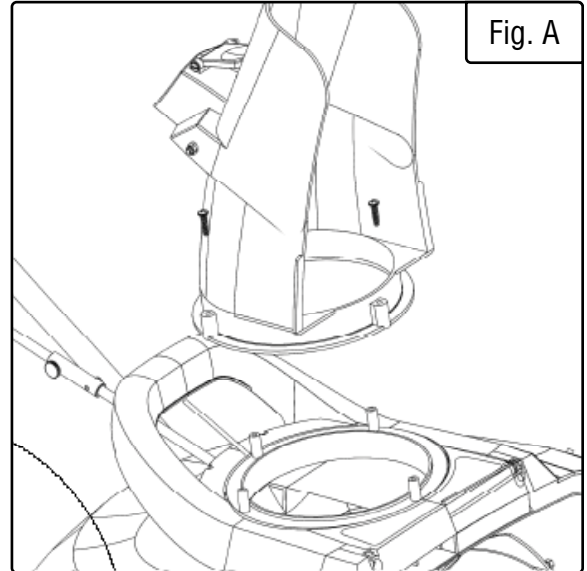


Fig. A

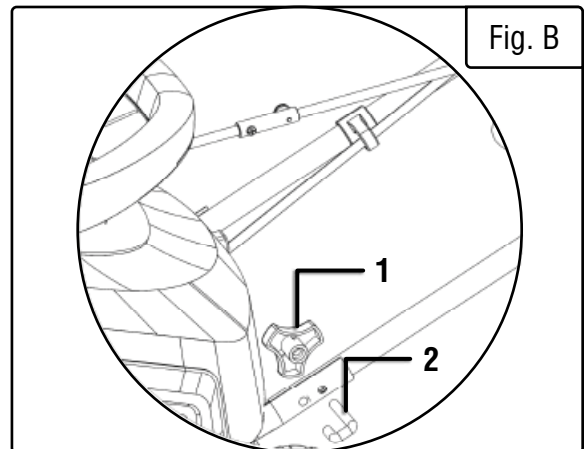


Fig. B

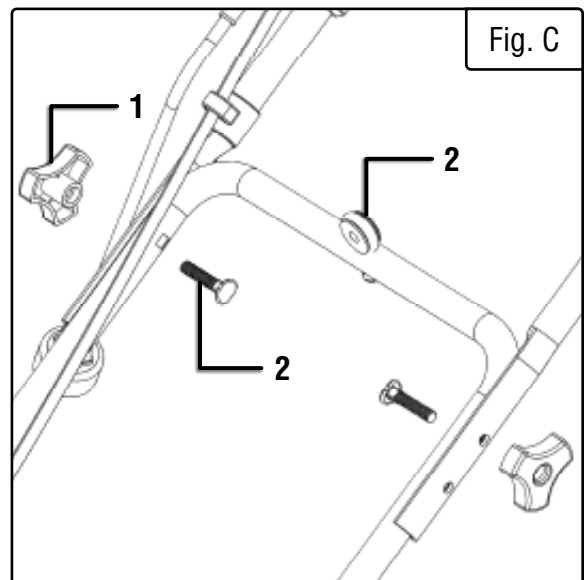


Fig. C

ASSEMBLY & ADJUSTMENTS

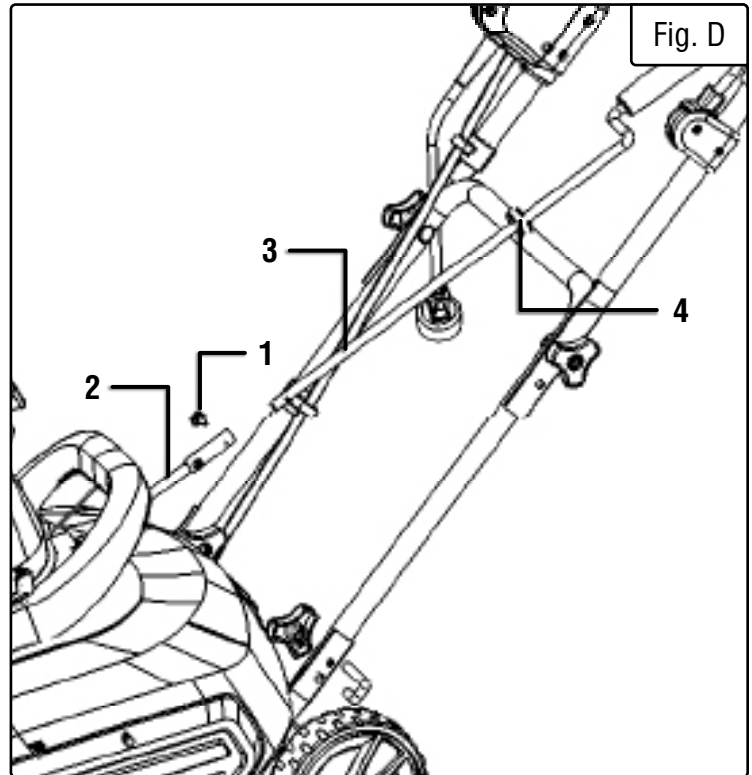
CHUTE CRANK ASSEMBLY

1. Locate the upper chute crank in the parts bag. Loosen the thumb screw (Fig. D - 1) located on the lower chute crank (Fig. D - 2) that comes pre-attached to the body of the snow thrower.

2. Slide the upper chute crank (Fig. D - 3) through the grommet (Fig. D - 4) in the middle frame assembly into the lower chute crank, lining up the holes in each respective part of the crank to allow room for the thumb screw.

3. Screw the lower crank's thumb screw in through both the lower and upper chute crank. Test the crank, turning it clockwise to make the chute turn left and counterclockwise to turn right.

NOTE: If things aren't lining up as they should, check to make sure that your middle frame assembly is on correctly. As mentioned earlier, the grommet and thread of the middle assembly should be facing upwards, but I bet you didn't even read that part of the instructions did you. I work so hard on these manuals and to what avail...



OPERATION

SECURING THE EXTENSION CORD (FIG. E)

For safe and efficient use of your snow thrower, only use a UL-rated extension cord that meets the gauge needs to operate a 13.5A snow thrower.

To prevent the extension cord from disconnecting during operation, fold the female end of the extension cord in half and slide it through the plastic extension cord wrangler found hanging from the upper frame assembly. Place the folded half of the cord around the wrangler's hook and pull down to secure it in place. This should help prevent the cords from becoming unplugged.

Note that the snow thrower has a polarized male plug with one prong slightly longer and wider than the other. The female end of the extension cord should be similarly polarized so the cord fits snugly into the switch-housing socket.

TURNING THE SNOW THROWER ON AND OFF

To power the snow thrower on, first plug it into the proper power source. To start the rotation of the auger, press and hold the safety switch found on the outside of switch housing on the upper frame assembly.

While pressing down on the safety button, pull the handle bar towards you and grab hold of it firmly to start the machine. When the motor is on, release the switch button and hold the handle bar with two hands.


To power the snow thrower off, release your grip on the handle bar.



OPERATION

IMPORTANT: DO NOT PULL THE UNIT BACKWARDS THROUGH THE SNOW. Snow will go into the air vents found on the back of the machine and damage the unit.

PLOWING THE SNOW

 **WARNING!** Keep the area of operation free of foreign objects that can become thrown by the auger blades. Perform a thorough inspection of the area before plowing since some objects may be hidden from view by surrounding snow. If the snow thrower hits an obstruction or picks up a foreign object during use, stop the snow thrower immediately. Disconnect the extension cord, remove the obstruction, and inspect the unit for damage. Repair or replace any damaged parts before restarting and operating the unit.

Keep children, pets, and bystanders away from the area of operation. Be aware that the normal noise a running snow thrower produces may make it difficult for you to hear approaching people.

Start your clearing path near the electrical outlet and work outward. To clear in the opposite direction, step over the cord and pivot the Snow Thrower on its wheels. Make sure to overlap clearing paths.

Also keep in mind the wind direction. If possible, move in the same direction as the wind so that the snow is not thrown against the wind, back into your face or onto the recently cleared path.

While moving the snow thrower, only move within a range the cable can reach.

DO NOT USE YOUR HANDS TO UNCLOG CHUTE. Stop the motor and unplug the unit before removing debris. Do not walk in front of a running snow thrower. Do not direct the discharged snow towards bystanders. Do not push the snow thrower with excessive force. Push the snow thrower gently and evenly in accordance with the unit's throw rate.

Only use your Snow Thrower with the intention of moving snow. Other materials may hurt the machine and endanger users and bystanders.

Some parts of the snow thrower may freeze under extreme temperature conditions. Do not attempt to operate the unit with frozen parts. If the parts freeze while the snow thrower is in use, stop the snow thrower, unplug the extension cord, and inspect it for frozen parts. Make sure all parts have thawed out before attempting to operate the unit again. Never force parts or controls that have frozen and never use an open flame of any sort to thaw frozen parts.


CHANGING THE DIRECTION OF THE SNOW CHUTE

Never direct the snow discharge chute at the operator, bystanders, vehicles or nearby windows. The discharged snow along with possible foreign objects can cause serious injury and bodily damage if picked up and thrown at a person or animal. Always point the discharge chute in the opposite direction of anything you don't want to hit with snow and foreign objects.

The discharge chute can be adjusted a full 180° degrees by rotating the chute crank. Rotate the chute control crank clockwise to move the discharge chute to the left and counter clockwise to move it to the right.

The chute deflector on top of the snow chute can be adjusted by squeezing on the height adjustment handle. This allows users to adjust the angle of the snow stream. Make sure the chute deflector is locked into a position before operation.

MAINTENANCE

 **WARNING!** Make sure to turn off the switch and disconnect the extension cord before performing any maintenance tasks on your snow thrower.

1. **KNOW YOUR LIMITATIONS.** Do not overload your snow thrower's capacity by attempting to clear snow at too fast of a rate.
2. Use of the snow thrower for operations outside of its intended usages could result in a dangerous situation.
3. Do not attempt to repair the snow thrower unless you have the proper tools and knowledge for disassembly and repair. Our recommendation for repairs would usually be to take the unit to a qualified service technician.
4. Check the bolts at frequent intervals for proper tightness to ensure that the equipment is in safe working condition.
5. After each snow removal session, run the snow thrower for a few minutes to prevent the collector/impeller from freezing. Shut off the motor, wait for all revolving parts to stop completely, and wipe the residual ice and snow off of the unit. Rotate the chute crank several times to remove any excess snow.

LIFETIME LUBRICATION: Lubrication is not necessary and may damage the unit. The snow thrower is lubricated for lifetime use at the factory before shipment.

STORAGE

1. Rid the snow thrower of snow and ice buildup before storage or transportation. Be sure to secure the unit during transportation.
2. Disconnect the extension cord from the snow thrower between uses. Inspect the extension cord closely for signs of wear or damage. Replace it as necessary. Do not store a damaged extension cord, as the next user may not examine it as closely.
3. Inspect the snow thrower carefully for worn, loose or damaged parts. Check connections and screws. Tighten as necessary.
4. Store the unit along with the disconnected extension cord in a locked, dry place away from the reach of children to prevent unauthorized use or damage. Cover loosely with a tarp for added protection.

EXPLODED VIEW & PARTS LIST

No.	Part No.	Description	Qty.
1	5662B-001	Switch Subassembly	1
1.1	5662B-002	Switch Cover (Right)	1
1.2	5662B-003	Button	1
1.3	5662B-004	Switch Spring	1
1.4	5662B-005	Switch Bracket	1
1.5	5662B-006	Torsion Spring	1
1.6	5662B-007	Pan Head Screws	11
1.7	5662B-008	Power Cable	1
1.8	5662B-009	Power Cable Plug	1
1.9	5662B-010	Cable Sleeve	1
1.10	5662B-011	Switch	1
1.11	5662B-100	Switch Relay	1
1.12	5662B-012	Switch Cover (Left)	
2	5662B-013	Padded Grip	1
3	5662B-014	Trigger Handle	1
4	5662B-015	Screw	2
5	5662B-016	Handle	1
6	5662B-017	Switch Mount	1
7	5662B-018	Screws	2
8	5662B-019	Trigger Mount Right Side	1
9	5662B-020	Trigger Bracket	1
10	5662B-021	Torsion Spring	1
11	5662B-022	Trigger Mount Left Side	1
12	5662B-023	Pan Head Screws	1
13	5662B-024	Power Cord Hanger	1
14	5662B-025	Threaded Knob	4
15	5662B-026	Square Necked Bolt	2
16	5662B-027	Connecting Arm Sub Assembly	1
16.1	5662B-028	Lock Nut	1
16.2	5662B-029	Connecting Arm	1
16.3	5662B-030	Eye Hook	1
16.4	5662B-031	Rubber Washer	1
17		Chute Adjustment Handle Assembly	1
17.1		Clips	1
17.2		Washer	2
17.3	5662B-032	Handle Cap	2
17.4		Handle	1
17.5		Upper Chute Crank	1
18		Lower Chute Crank	1
18.1	5662B-033	Connecting Linkage	1
18.2		Lower Chute Link	1
18.3		Pan Head Screw	2
19	5662B-034	Fixed Bolt	1
20	5662B-035	Wheel And Axle Assembly	1
20.1	5662B-036	Hub Cap	2
20.2	5662B-037	Washer	2
20.3	5662B-038	Washer	2
20.4	5662B-039	Wheel	2
20.5	5662B-040	Axle Bracket	2
20.6	5662B-041	Nylon Sleeve	1
20.7	5662B-042	Axle	1
21	5662B-044	Power Line Clip	2
22	5662B-045	U Bolt	2
23	5662B-046	Hex Bolt	4
24	5662B-047	Lock Nut	13
25	5662B-048	Pan Head Screws	4
26	5662B-049	Pan Head Screws	41
27	5662B-050	Plastic Gear Sub Assembly	1
27.1	5662B-051	Gear Seat	1
27.2	5662B-052	Washer	1
27.3	5662B-053	Elastic Pin	1
27.4	5662B-054	Plastic Gear	1
28	5662B-055	Chute Handle SubAssembly	1
28.1	5662B-056	Handle Cover	1

No.	Part No.	Description	Qty.
28.2	5662B-057	Handle	1
29	5662B-058	Upper Housing	1
30	5662B-059	Right Housing Cover	1
31	5662B-060	Lock Nut	1
32	5662B-061	Counter Sunk Screw	4
33	5662B-062	Washer	2
34	5662B-063	Ball Bearing	2
35	5662B-064	Washer	4
36	5662B-065	Right Housing Bracket	1
37	5662B-066	Bolt	4
38	5662B-067	Main Housing Assembly	1
38.1	5662B-068	Main Housing	1
38.2	5662B-069	Ring Gear	1
38.3	5662B-070	Chute Mouth	1
38.4	5662B-071	Scraper	1
39	5662B-072	Auger	1
40	5662B-073	Auger Shaft	1
41	5662B-074	Left Iron Bracket	1
42	5662B-076	Driven Wheel	1
43	5662B-077	Belt	1
44	5662B-078	Left Housing Cover	1
45		Motor Assembly	1
45.1		Flanged Screw	4
45.2		Brush Clamp	2
45.3		Carbon Brush	2
45.4		Brush Mount	2
45.5		Hex Nut	2
45.6		Rear Motor Support	1
45.7		Ball Bearing	2
45.8		Rotor Assembly	1
45.9		Stator	1
45.10		Heat Shrink Tube	1
45.11		Ring	1
45.12		Bearing 6000RS	1
45.13		Sleeve	1
45.14		Front Motor Bracket	1
45.15		Spring Washer	2
45.16		Gasket	2
45.17		Stator Screw	2
45.19		Ring	1
45.20		Spacer	1
45.21		Pulley	1
45.22		Nylon Locknut	1
45.23		Bearing	1
45.24		Clip	1
45.25		Drive Wheel	1
45.26		Fan	1
45.18	5662B-079-18	Synchronous Belt	1
46	5662B-080	Motor Cover	1
47	5662B-081	Air Vent	1
48	5662B-082	Rubber Insert	2
49	5662B-083	Power Cable Clamp	3
50	5662B-084	Over Current Protection Device	1
51	5662B-085	Heat Shrink Tube	2
52	5662B-086	Wire	2
53		Snow Chute Assembly	1
53.1		Lower Chute	1
53.2		Upper Chute	1
53.3		Pressure Spring	1
53.4	5662B-087	Chute Adjustment Lock	1
53.5		Locking Nut	1
53.6		Screw	1
53.7		Screw	1
54	5662B-088	Screw	4

WARRANTY STATEMENT

WEN Products is committed to building tools that are dependable for years. Our warranties are consistent with this commitment and our dedication to quality.

LIMITED WARRANTY OF WEN PRODUCTS FOR HOME USE

GREAT LAKES TECHNOLOGIES, LLC (“Seller”) warrants to the original purchaser only, that all WEN consumer power tools will be free from defects in material or workmanship during personal use for a period of two (2) years from date of purchase or 500 hours of use; whichever comes first. Ninety days for all WEN products if the tool is used for professional or commercial use. Purchaser has 30 days from the date of purchase to report missing or damaged parts.

SELLER’S SOLE OBLIGATION AND YOUR EXCLUSIVE REMEDY under this Limited Warranty and, to the extent permitted by law, any warranty or condition implied by law, shall be the replacement of parts, without charge, which are defective in material or workmanship and which have not been subjected to misuse, alteration, careless handling, misrepair, abuse, neglect, normal wear and tear, improper maintenance, or other conditions adversely affecting the Product or the component of the Product, whether by accident or intentionally, by persons other than Seller. To make a claim under this Limited Warranty, you must make sure to keep a copy of your proof of purchase that clearly defines the Date of Purchase (month and year) and the Place of Purchase. Place of Purchase must be a direct vendor of Great Lakes Technologies, LLC. Purchasing through third party vendors, including but not limited to garage sales, pawn shops, resale shops, or any other secondhand merchant, voids the warranty included with this product. Contact techsupport@wenproducts.com or 1-847-429-9263 with the following information to make arrangements: your shipping address, phone number, serial number, required part numbers, and proof of purchase. Damaged or defective parts and products may need to be sent to WEN before the replacements can be shipped out.

Upon the confirmation of a WEN representative, your product may qualify for repairs and service work. When returning a product for warranty service, the shipping charges must be prepaid by the purchaser. The product must be shipped in its original container (or an equivalent), properly packed to withstand the hazards of shipment. The product must be fully insured with a copy of the proof of purchase enclosed. There must also be a description of the problem in order to help our repairs department diagnose and fix the issue. Repairs will be made and the product will be returned and shipped back to the purchaser at no charge for addresses within the contiguous United States.

THIS LIMITED WARRANTY DOES NOT APPLY TO ITEMS THAT WEAR OUT FROM REGULAR USAGE OVER TIME, INCLUDING BELTS, BRUSHES, BLADES, BATTERIES, ETC. ANY IMPLIED WARRANTIES SHALL BE LIMITED IN DURATION TO TWO (2) YEARS FROM DATE OF PURCHASE. SOME STATES IN THE U.S. AND SOME CANADIAN PROVINCES DO NOT ALLOW LIMITATIONS ON HOW LONG AN IMPLIED WARRANTY LASTS, SO THE ABOVE LIMITATION MAY NOT APPLY TO YOU.

IN NO EVENT SHALL SELLER BE LIABLE FOR ANY INCIDENTAL OR CONSEQUENTIAL DAMAGES (INCLUDING BUT NOT LIMITED TO LIABILITY FOR LOSS OF PROFITS) ARISING FROM THE SALE OR USE OF THIS PRODUCT. SOME STATES IN THE U.S. AND SOME CANADIAN PROVINCES DO NOT ALLOW THE EXCLUSION OR LIMITATION OF INCIDENTAL OR CONSEQUENTIAL DAMAGES, SO THE ABOVE LIMITATION OR EXCLUSION MAY NOT APPLY TO YOU.

THIS LIMITED WARRANTY GIVES YOU SPECIFIC LEGAL RIGHTS, AND YOU MAY ALSO HAVE OTHER RIGHTS WHICH VARY FROM STATE TO STATE IN THE U.S., PROVINCE TO PROVINCE IN CANADA AND FROM COUNTRY TO COUNTRY.

THIS LIMITED WARRANTY APPLIES ONLY TO ITEMS SOLD WITHIN THE UNITED STATES OF AMERICA, CANADA AND THE COMMONWEALTH OF PUERTO RICO. FOR WARRANTY COVERAGE WITHIN OTHER COUNTRIES, CONTACT THE WEN CUSTOMER SUPPORT LINE. FOR WARRANTY PARTS OR PRODUCTS REPAIRED UNDER WARRANTY SHIPPING TO ADDRESSES OUTSIDE OF THE CONTIGUOUS UNITED STATES, ADDITIONAL SHIPPING CHARGES MAY APPLY.

**THANKS FOR
REMEMBERING**

