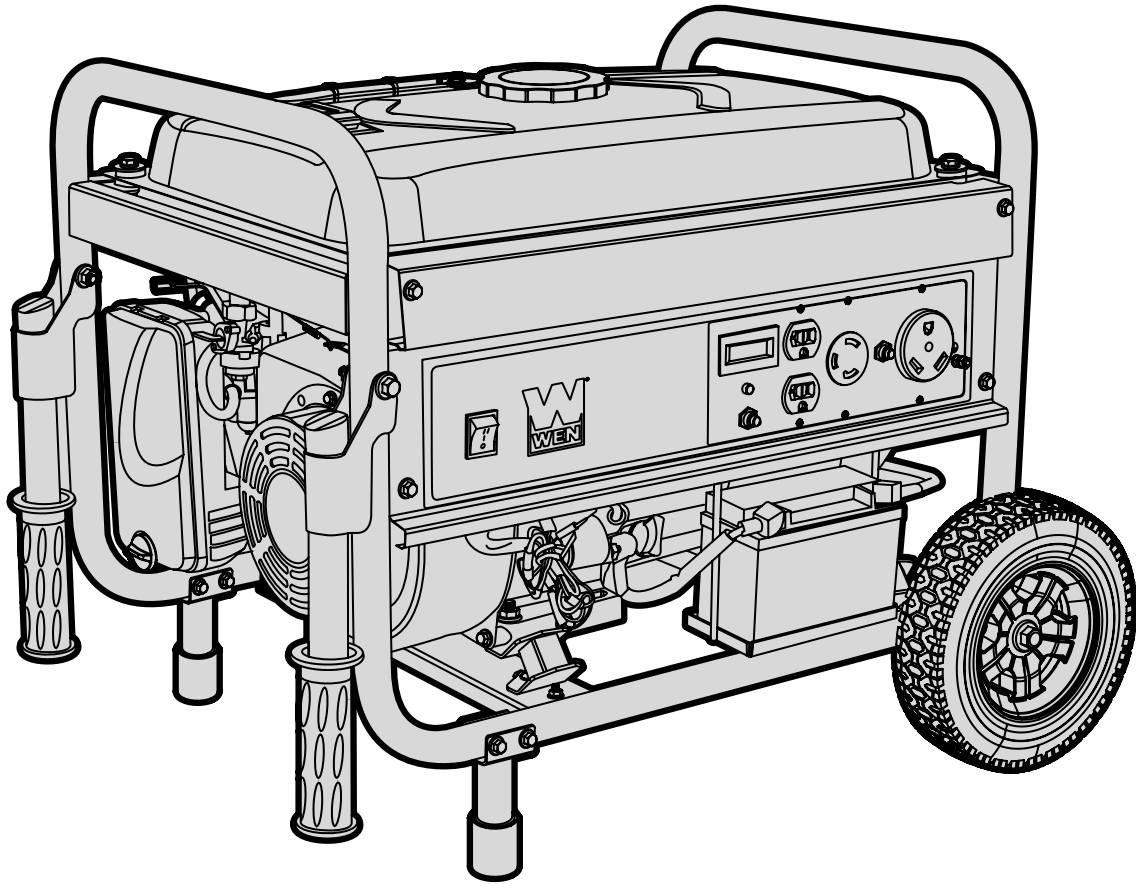




**MODEL 56475**

# **4750-WATT PORTABLE GENERATOR**

**Instruction Manual**



## ***NEED HELP? CONTACT US!***

Have product questions? Need technical support? Please feel free to contact us:



**1-847-429-9263 (M-F 8AM-5PM CST)**



**TECHSUPPORT@WENPRODUCTS.COM**

**IMPORTANT:** Your new tool has been engineered and manufactured to WEN's highest standards for dependability, ease of operation, and operator safety. When properly cared for, this product will supply you years of rugged, trouble-free performance. Pay close attention to the rules for safe operation, warnings, and cautions. If you use your tool properly and for its intended purpose, you will enjoy years of safe, reliable service.

For replacement parts and the most up-to-date instruction manuals, visit ***WENPRODUCTS.COM***

# CONTENTS

<b>WELCOME</b>	<b>3</b>
Specifications.....	3
Introduction .....	4
<b>SAFETY</b>	<b>5</b>
General Safety Rules.....	5
Generator Safety Warnings .....	7
<b>BEFORE OPERATING</b>	<b>10</b>
Know Your Generator.....	10
Assembly & Adjustments.....	12
Generator Preparation.....	14
<b>OPERATION &amp; MAINTENANCE</b>	<b>17</b>
Starting the Generator.....	17
Stopping the Generator .....	18
Subsequent Starting of the Generator .....	19
Using the Generator .....	20
Maintenance.....	23
Storage & Transport.....	28
Troubleshooting Guide.....	29
Exploded View & Parts List.....	30
Wiring Diagram.....	37
Warranty Statement.....	38

To purchase accessories and replacement parts for your tool, visit **WENPRODUCTS.COM**

**Magnetic Oil Dipstick (Model 55201)**  
**Medium Generator Cover (Model 56406)**

# **SPECIFICATIONS**

## **GENERATOR**

Model Number	56475
Surge (Starting) Wattage	4750 Watts
Rated (Running) Wattage	3750 Watts
Rated Voltage	120V
Phase	Single
Frequency	60 Hz
Battery	12V, 7 Ah, Lead-Acid AGM
Product Weight	116 Pounds
Product Dimensions	23.2 in. x 17.6 in. x 18 in.

## **ENGINE**

Engine Type	4-Stroke OHV Single Cylinder with Forced Air Cooling System
Engine Displacement	224cc
Fuel Tank Capacity	4 Gallons (15.0 L)
Oil Capacity	17.0 fl. oz. (500 mL)
Half-Load Run Time	12.4 Hours
Noise Rating	67 dB Idle, 74 dB Fully Loaded
Spark Plug Type	Torch F6TC / NGK BP6ES
Spark Plug Gap	0.7 mm - 0.8 mm (0.028 in. - 0.031 in.)
Spark Plug Torque	1/2 - 3/4 Turn After Gasket Contacts Base or 15 ft. lb

# INTRODUCTION

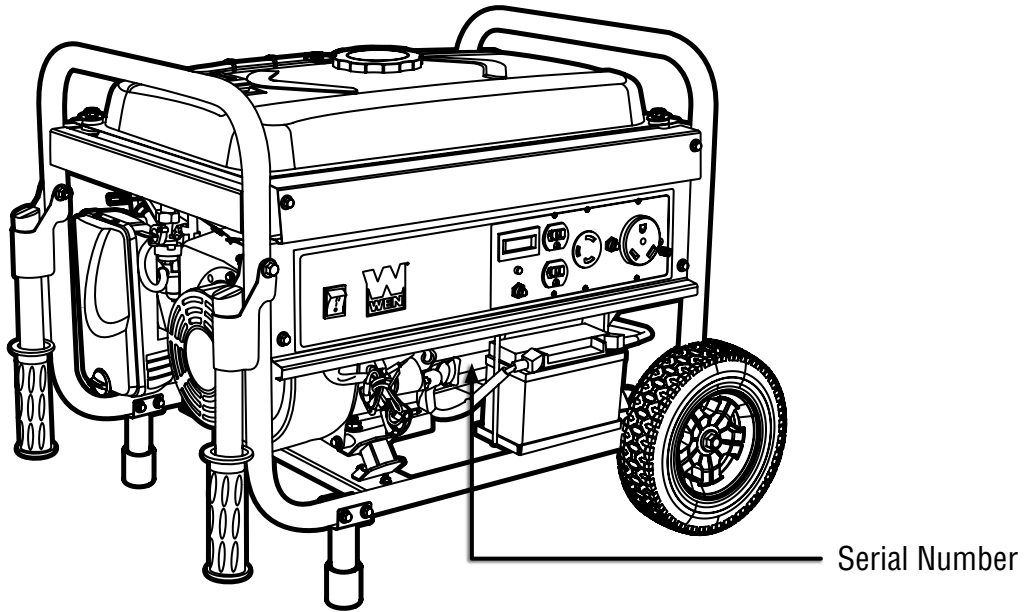
Thanks for purchasing the WEN 4750-Watt Portable Generator. Refer to the illustration below for the location of the serial number. Record the generator information in the spaces provided below. If assistance for information or service is required, please contact customer service by calling **1-847-429-9263**, M-F 8-5 CST; you will be asked to provide the following generator information when calling.

**Generator Model Number:** 56475

**Date of Purchase:** \_\_\_\_\_

**Purchased From:** \_\_\_\_\_

**Serial Number:** \_\_\_\_\_



## SERVICE RECORD

Record the service dates of your generator in the chart below. Please perform maintenance checks and operations according to the “Maintenance” section of the manual.

Service Record	Date	Date	Date	Date	Date	Date
Change Oil						
Change Spark Plug						
Clean Fuel Tank						
Clean Air Cleaner						
Clean Spark Arrestor						

**TO MAXIMIZE THE LIFESPAN OF YOUR GENERATOR:** We recommend running your generator at least once a month for 20 to 30 minutes. Start the generator according to the instructions and plug a small load in to make sure the outlet is producing electricity.

# GENERAL SAFETY RULES

 **WARNING!** Read all safety warnings and all instructions. Failure to follow the warnings and instructions may result in electric shock, fire and/or serious injury.

Safety is a combination of common sense, staying alert and knowing how your item works. The term “power tool” in the warnings refers to your mains-operated (corded) power tool or battery-operated (cordless) power tool.

## SAVE THESE SAFETY INSTRUCTIONS.

### WORK AREA SAFETY

- 1. Keep work area clean and well lit.** Cluttered or dark areas invite accidents.
- 2. Do not operate power tools in explosive atmospheres, such as in the presence of flammable liquids, gases or dust.** Power tools create sparks which may ignite the dust or fumes.
- 3. Keep children and bystanders away while operating a power tool.** Distractions can cause you to lose control.

### ELECTRICAL SAFETY

- 1. Power tool plugs must match the outlet. Never modify the plug in any way. Do not use any adapter plugs with earthed (grounded) power tools.** Unmodified plugs and matching outlets will reduce risk of electric shock.
- 2. Avoid body contact with earthed or grounded surfaces such as pipes, radiators, ranges and refrigerators.** There is an increased risk of electric shock if your body is earthed or grounded.
- 3. Do not expose power tools to rain or wet conditions.** Water entering a power tool will increase the risk of electric shock.
- 4. Do not abuse the cord. Never use the cord for carrying, pulling or unplugging the power tool. Keep cord away from heat, oil, sharp edges or moving parts.** Damaged or entangled cords increase the risk of electric shock.
- 5. When operating a power tool outdoors, use an extension cord suitable for outdoor use.** Use of a cord suitable for outdoor use reduces the risk of electric shock.

**6. If operating a power tool in a damp location is unavoidable, use a ground fault circuit interrupter (GFCI) protected supply.** Use of a GFCI reduces the risk of electric shock.

### PERSONAL SAFETY

- 1. Stay alert, watch what you are doing and use common sense when operating a power tool. Do not use a power tool while you are tired or under the influence of drugs, alcohol or medication.** A moment of inattention while operating power tools may result in serious personal injury.
- 2. Use personal protective equipment. Always wear eye protection.** Protective equipment such as a respiratory mask, non-skid safety shoes and hearing protection used for appropriate conditions will reduce the risk of personal injury.
- 3. Prevent unintentional starting. Ensure the switch is in the off-position before connecting to power source and/or battery pack, picking up or carrying the tool.** Carrying power tools with your finger on the switch or energizing power tools that have the switch on invites accidents.
- 4. Remove any adjusting key or wrench before turning the power tool on.** A wrench or a key left attached to a rotating part of the power tool may result in personal injury.
- 5. Do not overreach. Keep proper footing and balance at all times.** This enables better control of the power tool in unexpected situations.
- 6. Dress properly. Do not wear loose clothing or jewelry. Keep your hair and clothing away from moving parts.** Loose clothes, jewelry or long hair can be caught in moving parts.

# GENERAL SAFETY RULES

**⚠ WARNING!** Read all safety warnings and all instructions. Failure to follow the warnings and instructions may result in electric shock, fire and/or serious injury.

Safety is a combination of common sense, staying alert and knowing how your item works. The term “power tool” in the warnings refers to your mains-operated (corded) power tool or battery-operated (cordless) power tool.

## SAVE THESE SAFETY INSTRUCTIONS.

**7. If devices are provided for the connection of dust extraction and collection facilities, ensure these are connected and properly used.** Use of dust collection can reduce dust-related hazards.

### POWER TOOL USE AND CARE

**1. Do not force the power tool. Use the correct power tool for your application.** The correct power tool will do the job better and safer at the rate for which it was designed.

**2. Do not use the power tool if the switch does not turn it on and off.** Any power tool that cannot be controlled with the switch is dangerous and must be repaired.

**3. Disconnect the plug from the power source and/or the battery pack from the power tool before making any adjustments, changing accessories, or storing power tools.** Such preventive safety measures reduce the risk of starting the power tool accidentally.

**4. Store idle power tools out of the reach of children and do not allow persons unfamiliar with the power tool or these instructions to operate the power tool.** Power tools are dangerous in the hands of untrained users.

**5. Maintain power tools. Check for misalignment or binding of moving parts, breakage of parts and any other condition that may affect the power tool's operation. If damaged, have the power tool repaired before use.** Many accidents are caused by poorly maintained power tools.

**6. Keep cutting tools sharp and clean.** Properly maintained cutting tools with sharp cutting edges are less likely to bind and are easier to control.

**7. Use the power tool, accessories and tool bits, etc. in accordance with these instructions, taking into account the working conditions and the work to be performed.** Use of the power tool for operations different from those intended could result in a hazardous situation.

**8. Use clamps to secure your workpiece to a stable surface.** Holding a workpiece by hand or using your body to support it may lead to loss of control.

**9. KEEP GUARDS IN PLACE** and in working order.

### SERVICE

**1. Have your power tool serviced by a qualified repair person using only identical replacement parts.** This will ensure that the safety of the power tool is maintained.

### CALIFORNIA PROPOSITION 65 WARNING

Some dust created by power sanding, sawing, grinding, drilling, and other construction activities may contain chemicals, including lead, known to the State of California to cause cancer, birth defects, or other reproductive harm. Wash hands after handling. Some examples of these chemicals are:

- Lead from lead-based paints.
- Crystalline silica from bricks, cement, and other masonry products.
- Arsenic and chromium from chemically treated lumber.

Your risk from these exposures varies depending on how often you do this type of work. To reduce your exposure to these chemicals, work in a well-ventilated area with approved safety equipment such as dust masks specially designed to filter out microscopic particles.

## GENERATOR SAFETY WARNINGS


### **DANGER! CARBON MONOXIDE**

Using a generator indoors **CAN KILL YOU IN MINUTES**. Generator exhaust contains carbon monoxide (CO). This is a poison gas you cannot see or smell. If you can smell the generator exhaust, you are breathing CO. But even if you cannot smell the exhaust, you could be breathing CO.





**NEVER** use a generator inside homes, garages, crawl spaces, or other partially enclosed areas. Deadly levels of carbon monoxide can build up in these areas. Using a fan or opening windows and doors does **NOT** supply enough fresh air. **ONLY** use a generator outside and far away from windows, doors, and vents. These openings can pull in generator exhaust.

Even if you use a generator correctly, CO may leak into the home. **ALWAYS** use a battery-powered or battery-backup CO alarm in the home. If you start to feel sick, dizzy, or weak after the generator has been running, move to fresh air **RIGHT AWAY**. See a doctor. You may have carbon monoxide poisoning.


 **WARNING! RISK OF EXPLOSION. HIGHLY FLAMMABLE:** This generator may emit highly flammable and explosive gasoline vapors, which can cause severe burns or even death, if ignited. A nearby open flame can lead to explosion even if not directly in contact with gasoline.

- Do not operate near open flame, heat, or any other ignition source. Do not smoke near the generator.
- Always operate on a firm, level surface.
- Always turn generator off before refueling. Allow generator to cool for at least 2 minutes before removing fuel cap. Loosen cap slowly to relieve pressure in tank.
- Do not overfill fuel tank. Gasoline may expand during operation. Do not fill to the top of the tank. Allow for expansion. Always check for spilled fuel before operating.
- If fuel spills, move the generator at least 30 feet away from the spill and wipe clean any spilled fuel before starting the engine.
- Empty fuel tank before storing or transporting the generator.

 **WARNING!** If this generator is used as a supply for a building's wiring system, the generator must be installed by a qualified electrician and connected to a transfer switch as a separately derived system in accordance with all applicable laws and electrical codes and the National Electrical Code, NFPA 70. The generator shall be connected to a transfer switch that switches all conductors excluding the equipment grounding conductor. The frame of the generator shall be connected to an approved grounding electrode.

 **CALIFORNIA PROPOSITION 65 WARNING:** This product contains chemicals and produces exhaust known to the State of California to cause cancer, birth defects and other reproductive harm. For more information, visit [www.P65Warnings.ca.gov](http://www.P65Warnings.ca.gov)


# GENERATOR SAFETY WARNINGS

 **WARNING!** Do not let comfort or familiarity with the product replace strict adherence to product safety rules. Failure to follow the safety instructions may result in serious personal injury.

## GENERATOR SAFETY


- 1) Do not operate the generator near an open flame.
- 2) Do not smoke near the generator.
- 3) Always operate on a firm, level surface.
- 4) Always turn the generator off before refueling. Allow generator to cool for at least 2 minutes before removing fuel cap. Loosen cap slowly to relieve pressure in tank.
- 5) Do not overfill fuel tank. Gasoline may expand during operation. Do not fill to the top of the tank. Allow for expansion.
- 6) Always check for spilled fuel before operating.
- 7) Empty fuel tank before storing or transporting the generator.
- 8) Do not use in rainy conditions.
- 9) ALWAYS ground the generator before using it (see the “Ground the Generator” portion of the “Generator Preparation” section).
- 10) Generator should only be plugged into electrical devices, either directly or with an extension cord. NEVER connect to a building’s electrical system without a qualified electrician. Such connections must comply with local electrical laws and codes. Failure to comply can create a back-feed, which may result in serious injury or death to utility workers.
- 11) Use a ground fault circuit interrupter (GFCI) in highly conductive areas such as metal decking or steel work. GFCIs are available in-line with some extension cords.
- 12) Do not touch bare wires or receptacles (outlets).
- 13) Do not allow children or non-qualified persons to operate the generator.
- 14) Do not touch hot surfaces. Pay attention to warning labels on the generator identifying hot parts of the machine.
- 15) Allow generator to cool down after use before touching engine or areas of the generator that become hot during use.
- 16) Only use generator for its intended purposes.
- 17) Operate only on dry, level surfaces.
- 18) Allow generator to run for several minutes before connecting electrical devices.
- 19) Shut off and disconnect any malfunctioning devices from generator.
- 20) Do not exceed the wattage capacity of the generator by plugging in more electrical devices than the unit can handle.
- 21) Do not turn on electrical devices until after they are connected to the generator.
- 22) Turn off all connected electrical devices before stopping the generator.
- 23) Turn the engine switch to “OFF” position when the engine is not running.

**CAUTION!** Misuse of this generator can damage it or shorten its life.

 **WARNING!** This generator produces heat when running. Temperatures near exhaust can exceed 1500 F (650 C).



## **GENERATOR SAFETY WARNINGS**


 **WARNING!** Do not let comfort or familiarity with the product replace strict adherence to product safety rules. Failure to follow the safety instructions may result in serious personal injury.

### **SAVE THESE INSTRUCTIONS**

This manual contains important instructions for the WEN generator that should be followed during installation and maintenance of the generator.

Generators vibrate in normal use. During and after the use of the generator, inspect both the generator as well as extension and power supply cords for damage resulting from vibration. Have damaged items repaired or replaced as necessary. Do not use plugs or cords that show signs of damage such as broken or cracked insulation.

For power outages, permanently installed stationary generators are better suited for providing backup power to the home. Even a properly connected portable generator can become overloaded. This may result in overheating or stressing of the components, possibly leading to a generator failure..

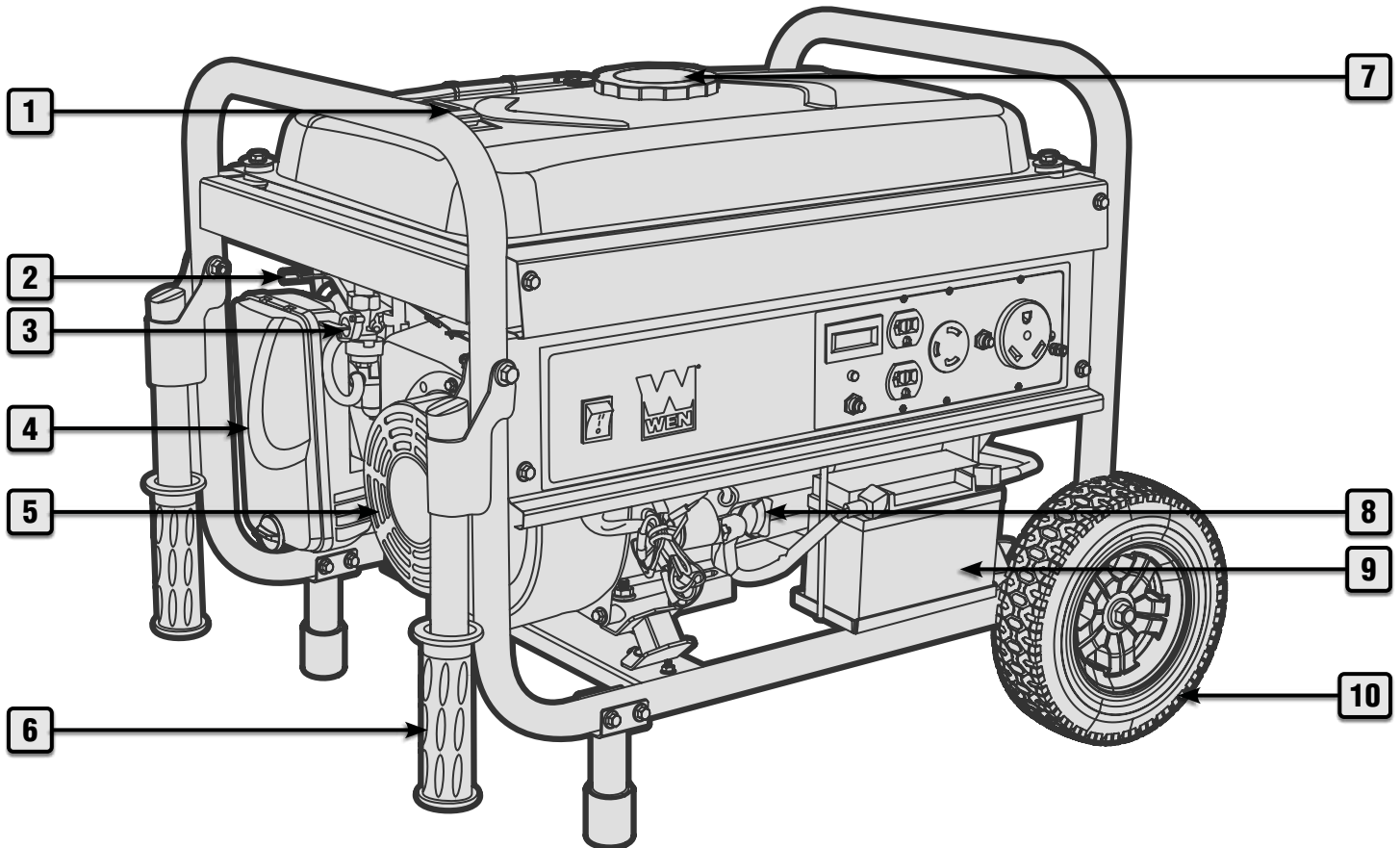
 **WARNING!** If this generator is used as a supply for a building's wiring system, the generator must be installed by a qualified electrician and connected to a transfer switch as a separately derived system in accordance with the National Electrical Code, NFPA 70. The generator shall be connected to a transfer switch that switches all conductors excluding the equipment grounding conductor. The frame of the generator shall be connected to an approved grounding electrode.

# KNOW YOUR GENERATOR

## TOOL PURPOSE

Generators provide you with power when and where you need it most. Refer to the following diagrams to become familiarized with all the parts and controls of your Generator. The components will be referred to later in the manual for assembly and operation instructions.

## GENERATOR



### 1. Fuel Gauge

Indicates the amount of fuel in the tank.

### 2. Choke Lever

### 3. Fuel Valve

Allows fuel to enter the engine.

### 4. Air Cleaner

A removable, cleanable, sponge-like element that limits the amount of dirt pulled into the engine.

### 5. Recoil Starter

Pull cord for starting the engine.

### 6. Handles

For easy transport.

### 7. Fuel Cap

Access to the fuel tank for adding gasoline.

### 8. Oil Fill and Dipstick

Location for checking and filling the oil reservoir.

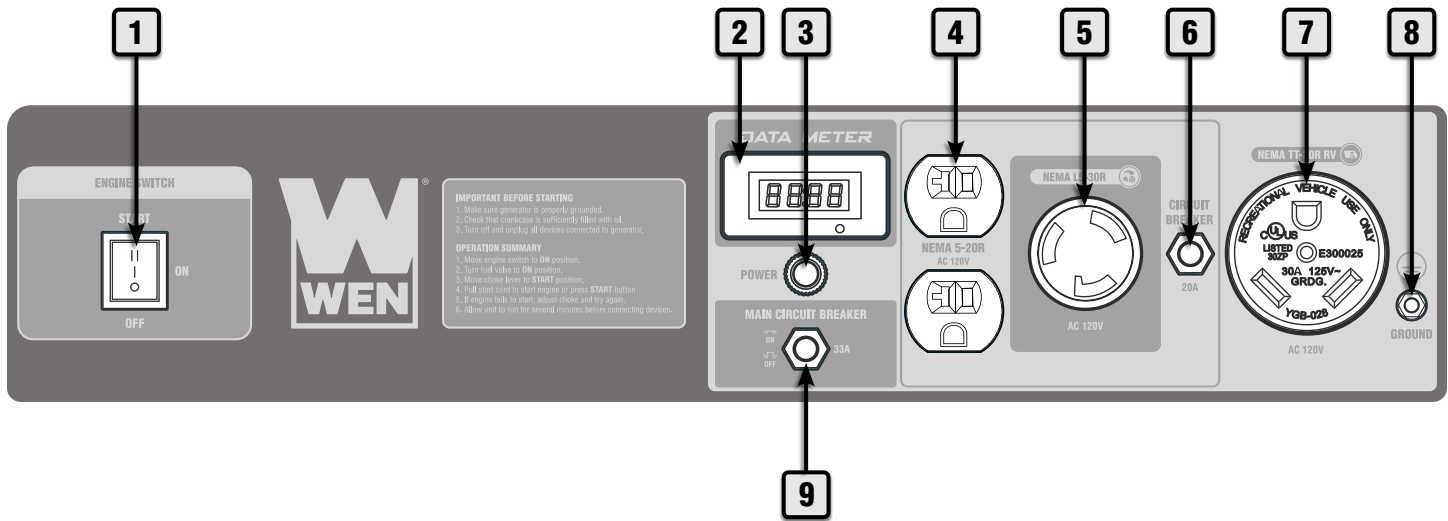
### 9. 12V Battery

### 10. 8-Inch Wheels

For easy transport.

# KNOW YOUR GENERATOR

## CONTROL PANEL



### 1. Engine Switch

Start and stop the engine.

### 2. Digital Engine Hour Counter

### 3. Power Indicator

Turns green to indicate the output of power to each receptacle.

### 4. 120V AC Duplex Receptacle

To connect electrical devices that run 120V, 60 Hz, single phase AC current.

### 5. 120V AC Receptacle

To connect electrical devices that run 120V, 30A, 60 Hz, single phase, AC current.

### 6. 20A Circuit Reset Buttons

Reset button that protect the generator from electrical overload.

### 7. 120V 30A RV Receptacle

### 8. Grounding Nut

### 9. 33A Circuit Reset Button

Reset button that protects the generator from electrical overload.

## ASSEMBLY & ADJUSTMENTS

### HIGH ALTITUDE OPERATION ABOVE 3000 FEET

Refer to Fig. 1 to gather the proper parts and tools for installing the high altitude kit (**part no. GN5000-HA**). Installation instructions are included with the high altitude kits.

This kit should be installed by a qualified mechanic. Contact customer service at **1-847-429-9263** (M-F 8-5 CST), or email **techsupport@wenproducts.com** for information about service centers near you.

The fuel system on this generator may be affected by operation at high altitudes. Proper operation can be ensured by installing an altitude kit at altitudes higher than 3000 feet above sea level. At elevations above 8000 feet, the engine may experience a decrease in performance, even with the proper altitude kit. Operating this generator without the high altitude kit at elevations above 3000 feet may increase the engine's emissions and decrease both fuel economy and performance.

### ATTACHING THE FEET (FIG. 2)

1. Stack the two generator wheels on top of each other. Lift the end of the generator that has the recoil starter onto the stack of wheels. Be careful not to obstruct any holes on the generator frame. Feel free to use board or a different reliable stacking surface instead.

2. Place one leg onto the frame. Line up the holes on the generator frame with the holes on the bracket portion of the leg. Tighten using two M6x40 bolts, two M6 nuts, and the included wrench.

3. Repeat step 2 for the other generator leg.

**NOTE:** For video instructions visit [bit.ly/WHEELKIT](http://bit.ly/WHEELKIT)

### ATTACHING THE HANDLES (FIG. 3)

The handles attach to the generator frame on the same side as the recoil starter (Left side when facing control panel).

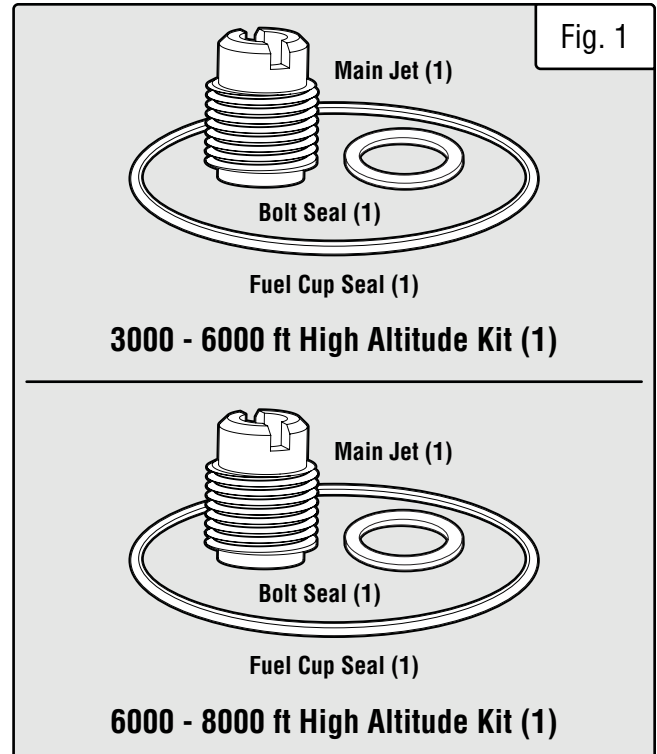
1. Take one handle and line up the holes in the handle bracket with the holes on the generator frame.

2. Slide a bolt through the holes in the handle and generator frame to hold the handle onto the frame.

3. Secure the bolt in place with a nut.

4. Repeat steps 1-3 for the other handle.

At this point, gently remove the two wheels from underneath the generator.



## ASSEMBLY & ADJUSTMENTS

### ATTACHING THE WHEELS

1. Find a wood block or similar item that is 3 inches thick or greater and rest the exhaust end of the generator on the block (Fig. 4).
2. Take one wheel shaft, and one M12 nut as shown (Fig. 5). Slide the wheel shaft, with the threaded part facing inward, through the frame. Secure using an M12 nut and the included wrench as shown (Fig. 6).
3. Slide the wheel onto the axle and secure in place using the nut.
4. Repeat steps 2 and 3 for the other wheel.

**At this point, the generator assembly is complete. Gently remove the generator from the wood block.**

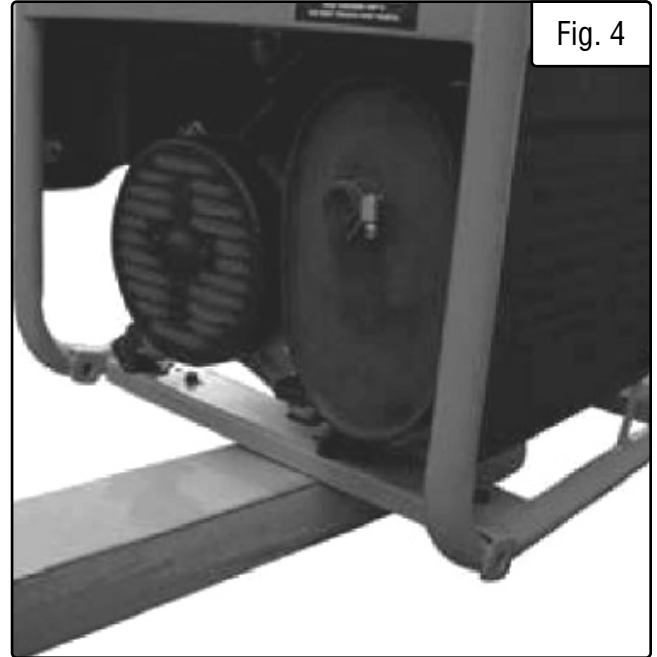


Fig. 4

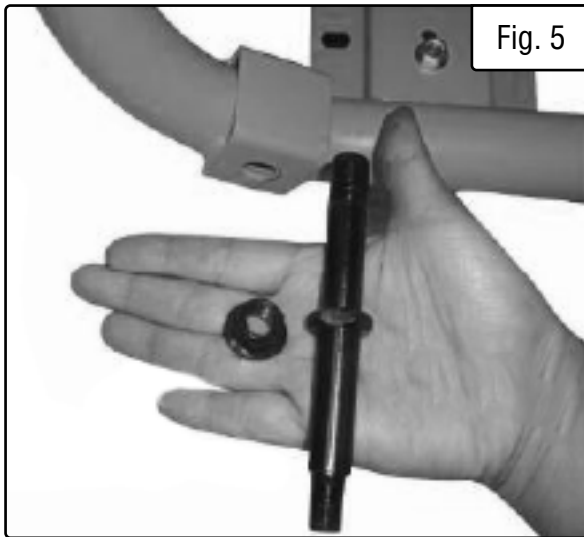


Fig. 5

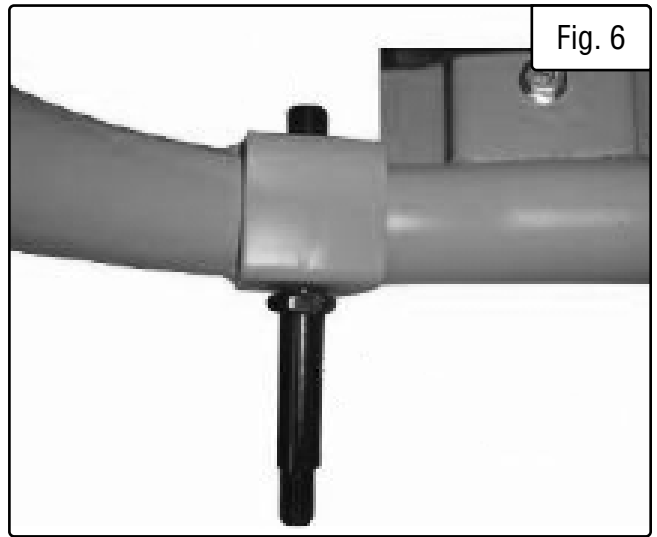


Fig. 6

# GENERATOR PREPARATION

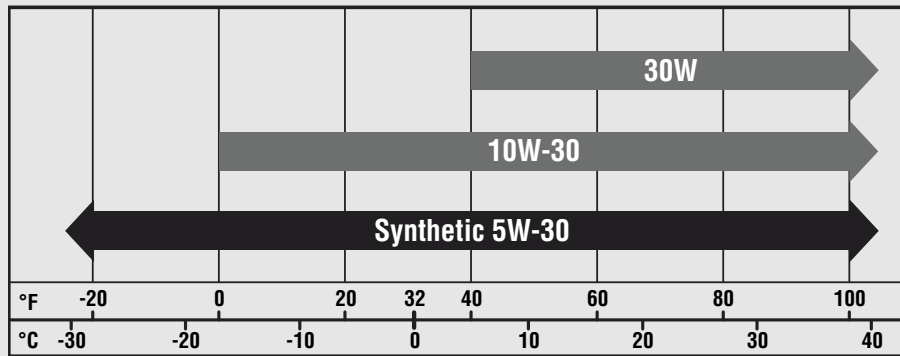
The following section describes the necessary steps to prepare the generator for use. If you are unsure about how to perform any of the steps please call **1-847-429-9263** (M-F 8-5 CST) for customer service. Failure to perform these steps properly can damage the generator or shorten its life.

## STEP 1 - ADD / CHECK OIL

The generator is shipped without oil. User must add the proper amount of oil before operating the generator for the first time. The oil capacity of the engine crankcase is 17 fl. oz. For general use (above 40° F), we recommend 30W, 4-stroke engine oil.

### ENGINE OIL RECOMMENDATIONS

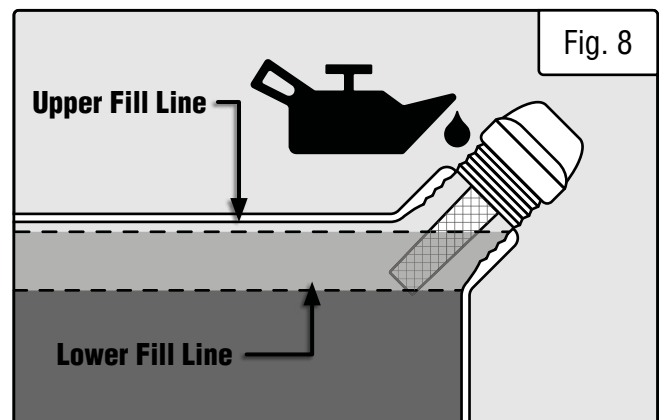
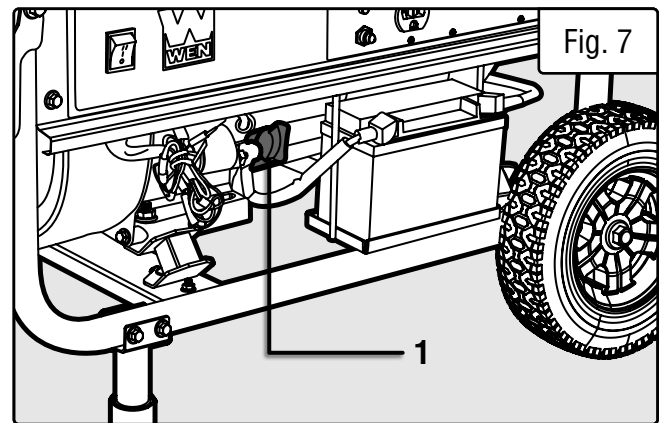
Select good quality detergent oil bearing the American Petroleum Institute (API) service classifications SJ, SL, or SM (synthetic oils may be used). Use the SAE viscosity grade of oil from the following chart that matches the starting temperature anticipated before the next oil changes.



**CAUTION!** Air cooled engines run hotter than automotive engines. The use of non-synthetic multi-viscosity oils (5W-30, 10W-30, etc.) in temperatures above 40° F will result in higher than normal oil consumption. When using a multi-viscosity oil, check the oil level more frequently than you would otherwise.

### TO ADD OIL:

1. Make sure the generator is on a level surface. Tilting the generator to assist in filling will cause oil to flow into the engine areas and will cause damage. Keep the generator level!
2. Remove the dipstick from the engine (Fig. 7 - 1).
3. Add oil slowly, being careful not to overfill the unit. Fill the crank case to the upper fill line so the oil lands about halfway up the dipstick threads (Fig. 8).
4. To check the oil level, wipe the dipstick with a clean rag. Insert the dipstick into the oil fill opening without screwing it in. Remove the dipstick to check the oil mark.
5. Slowly add more oil and repeat step 4 until the oil mark reaches to the top of the dipstick. Do not overfill the crankcase. The generator is equipped with a low-oil sensor and will not start without a sufficient amount of oil.
6. Check for oil leaks and firmly tighten the dipstick.



## **GENERATOR PREPARATION**

**⚠ WARNING!** This generator may emit highly flammable and explosive gasoline vapors, which can cause severe burns or even death if ignited. A nearby open flame can lead to explosion even if not directly in contact with gasoline.

### **STEP 2 - ADD GASOLINE**

Use fresh (within 30 days from purchase), lead-free gasoline with a minimum of 87 octane rating. Do not mix oil with gasoline.

#### **TO ADD GASOLINE:**

1. Make sure the generator is on a level surface.
2. Unscrew fuel cap and set aside.

**NOTE:** The fuel cap may be tight and hard to unscrew.

3. Slowly add unleaded gasoline to the fuel tank. Be careful not to overfill. The capacity of the fuel tank is 4.0 gallons.

**NOTE:** Do not fill the fuel tank to the very top. Gasoline will expand and spill over during use even with the fuel cap in place.

4. Reinstall fuel cap and wipe clean any spilled gasoline with a dry cloth.

#### **IMPORTANT!**

- Never use an oil/gasoline mixture.
- Never use old gasoline.
- Avoid getting dirt or water into the fuel tank.
- Gasoline can age in the tank and make starting difficult. Never store generator for extended periods of time with fuel in the tank.

# GENERATOR PREPARATION

**⚠ WARNING!** Battery gives off explosive hydrogen gas.

- Keep battery away from spark, flame, or cigarette.
- Do not connect or disconnect battery while generator is running.
- Service or use battery only in well ventilated areas.

**⚠ WARNING!** Battery contains sulfuric acid. Battery acid is poisonous. Tilting the generator with the battery installed can cause battery acid to spill.

- Wear protective clothing and eye wear when servicing battery.
- Keep out of reach of children.
- Do not tilt generator with battery installed.
- If battery acid gets on your skin, wash with water immediately.
- If battery acid gets in your eyes, flush with water for at least 15 minutes and call a doctor immediately.

If battery acid is swallowed, drink a large amount of water or milk. Then drink milk of magnesia or vegetable oil. Call a doctor immediately.

## STEP 3 - CONNECT THE BATTERY

The generator comes with the battery disconnected for safety. To use the electric start, the battery needs to be connected. To connect the battery:

1. Connect the two ends of the battery quick-connector together.

**NOTE:** If you do not plan to use the generator for a long period of time, it is a good idea to disconnect the quick-connector for storage. After disconnecting it, cover both exposed ends with an insulator, such as electrical tape, to help prevent corrosion.

## STEP 4 - GROUND THE GENERATOR

Ground the generator by tightening the grounding nut (Fig. 9 - 1) on the front control panel against a grounding wire. A generally acceptable grounding wire is a No. 12 AWG (American Wire Gauge) stranded copper wire. This grounding wire should be connected at the other end to a copper, brass, or steel-grounding rod that is driven into the earth. Wire and grounding rods are not included with the generator.

Grounding codes can vary by location. Contact a local electrician to check the area codes.

**NOTE:** After completing the above preparation, the generator is ready to be started.

**⚠ WARNING!** Failure to properly ground the generator can result in electrocution.

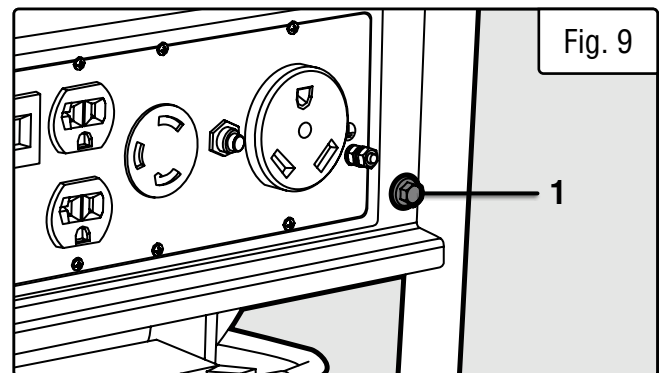


Fig. 9



## STARTING THE GENERATOR


Before starting the generator, make sure you have read and performed the steps in the “Generator Preparation” section of this manual. If you are unsure about how to perform any of the steps in this manual please call **1-847-429-9263** M-F 8-5 CST for customer service.


### **DANGER! CARBON MONOXIDE - USING A GENERATOR INDOORS CAN KILL YOU IN MINUTES.**

Using a generator indoors CAN KILL YOU IN MINUTES. Generator exhaust contains carbon monoxide (CO). This is a poison gas you cannot see or smell. If you can smell the generator exhaust, you are breathing CO. But even if you cannot smell the exhaust, you could be breathing CO.

NEVER use a generator inside homes, garages, crawl spaces, or other partially enclosed areas. Deadly levels of carbon monoxide can build up in these areas. Using a fan or opening windows and doors does NOT supply enough fresh air. ONLY use a generator outside and far away from windows, doors, and vents. These openings can pull in generator exhaust.

Even if you use a generator correctly, CO may leak into the home. ALWAYS use a battery-powered or battery-backup CO alarm in the home. If you start to feel sick, dizzy, or weak after the generator has been running, move to fresh air RIGHT AWAY. See a doctor. You may have carbon monoxide poisoning.

 **WARNING!** The exhaust from this product contains chemicals known to the State of California to cause cancer, birth defects, or other reproductive harm.

 **WARNING!** This generator may emit highly flammable and explosive gasoline vapors, which can cause severe burns or even death if ignited. A nearby open flame can lead to explosion even if it isn't directly in contact with gasoline.


 **WARNING!** This generator produces powerful voltage, which can result in electrocution.

ALWAYS ground the generator before using it (see the “Ground the Generator” portion of the “Generator Preparation” section).

Generator should only be plugged into electrical devices, either directly or with an extension cord. NEVER connect to a building electrical system without a qualified electrician. Such connections must comply with local electrical laws and codes. Failure to comply can create a back-feed, which may result in serious injury or death to utility workers.

Use a ground fault circuit interrupter (GFCI) in highly conductive areas such as metal decking or steel work. GFCIs are available in-line with some extension cords.

Do not use in rainy or wet conditions. Do not touch bare wires or receptacles (outlets). Do not allow children or non-qualified persons to operate.

 **CAUTION!** Disconnect all electrical loads from the generator before attempting to start or stop.

## STARTING THE GENERATOR

### STARTING THE ENGINE

1. Unplug all electrical devices from the generator during ignition. Otherwise it will be difficult for the engine to start.
2. Check that the generator is properly grounded (Ground the Generator).
3. Check the oil and fuel levels.
4. Turn the fuel valve to the ON position (Fig. 10).
5. Move the choke lever to CLOSE / START (Fig. 11).
6. Set the ON/OFF Switch to the ON position.
7. Press the engine switch to the “START” position for 2-3 seconds or until the engine starts. NOTE: If the engine does not start after 2-3 seconds, release the switch from the start position. Keeping the switch in the START position too long can damage the starter.
8. If engine fails to start, repeat step 7.

**NOTE:** After repeated failed attempts to start the engine, please consult the troubleshooting guide before attempting to start the generator. If problems persist please call **1-847-429-9263**, M-F 8-5 CST.

9. Once the engine has started, slowly return the choke lever all the way to the OPEN/RUN position.
10. Allow the engine to run for several minutes before attempting to connect any electrical devices. This allows the generator to stabilize its speed and temperature.

**FOR MANUAL START:** Pull on the recoil starter handle slowly until a slight resistance is felt, then pull quickly to start the engine. Do this instead of step 7. Return cord gently into the recoil starter. Never allow the cord to snap back.

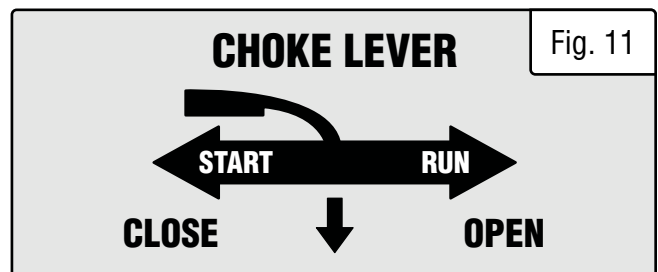
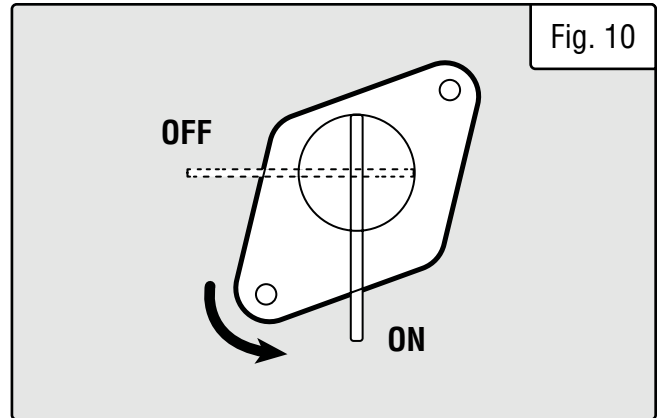
### ENGINE BREAK-IN PROCEDURE

The procedure below should be followed when you receive your generator in order to prolong the engine’s service life. This procedure helps to seat the piston rings properly in the cylinder, and will reduce overall wear on the engine. For the first 8 hours of operation, vary the load, but keep it at or below 50% of the generator’s rated wattage, if possible. If your generator is equipped with an Eco-mode switch (only applicable for certain inverter generators), engage Eco-mode periodically during the first 8 hours. After the first 8 hours, change the oil, then change it again after the first 25 hours. You may run the generator at full load after the 8-hour oil change. Refer to the Recommended Maintenance Schedule in Table 4 for the full maintenance schedule.

## SUBSEQUENT STARTING OF THE GENERATOR

If this is not the first time using the generator, the user should take the following steps to prepare it for operation.

**IMPORTANT!** At this point the user should be familiar with the procedures described in the sections titled “Starting the Generator” and “Generator Preparation.” If the user has not yet read these sections, go back and read them now.



## ***SUBSEQUENT STARTING OF THE GENERATOR***

### **STEP 1 - CHECK THE OIL**

Oil consumption is normal during generator use. The generator is equipped with a low oil pressure shutoff to protect it from damage. The oil level of the engine should be checked before each use to ensure that the engine crankcase contains sufficient lubricant.

#### **TO CHECK OR ADD OIL:**

1. Make sure the generator is on a level surface. Clean around oil fill.
2. Remove the oil filler/dipstick cap and check the oil level.
3. If the oil level is below the second thread from the lip of the oil fill opening, slowly add oil until the engine crankcase is filled.
4. Reinstall and tighten oil cap before starting the engine.


#### **IMPORTANT!**

- Use only UNLEADED gasoline.
- Do not use old gasoline.
- Never use an oil/gasoline mixture.
- Avoid getting dirt or water into the fuel tank.

### **STEP 2 - CHECK THE FUEL LEVEL**

Before starting the generator, check to see that there is sufficient gasoline in the fuel tank. Add additional gasoline as necessary but leave sufficient room in the tank for expansion.

### **STEP 3 - GROUND THE GENERATOR**

 **WARNING!** Failure to properly ground the generator can result in electrocution.

Ground the generator by tightening the grounding nut (Fig. 9) on the front control panel against a grounding wire. A generally acceptable grounding wire is a No. 12 AWG (American Wire Gauge) stranded copper wire. This grounding wire should be connected at the other end to a copper, brass, or steel-grounding rod that is driven into the earth. Wire and grounding rod are not included in generator contents.


Grounding codes can vary by location. Contact a local electrician for area codes.


**To maximize the lifespan of this generator, make sure to run it at least once a month. If you do not run it often, it will greatly shorten the lifespan and performance of the generator.**

## ***STOPPING THE GENERATOR***

### **TO STOP THE GENERATOR**

1. Turn off all electrical devices prior to unplugging them from the generator. Unplugging running devices can cause damage to the generator.
2. Turn the fuel valve to the “OFF” (horizontal) position.
3. Turn the “ON/OFF” switch to the “OFF” position.

 **WARNING!** Allow generator to cool for several minutes before touching areas that become hot during use.

 **CAUTION!** Allowing gasoline to sit in the fuel tank for long periods of time can make it difficult to start the generator in the future. Never store the generator for extended periods of time with fuel in the fuel tank. Refer to Generator Storage Section.

# USING THE GENERATOR

## CALCULATING THE WATTAGE OF YOUR DEVICE(S)

Connect electrical devices running on AC current according to their wattage requirements. Calculate the total running wattage and starting wattage of the device(s) you wish to connect, and **MAKE SURE** that they are within the capacity of your generator and the capacity of each individual outlet.

	GENERATOR RUNNING (RATED) WATTS	GENERATOR STARTING (SURGE) WATTS
	<b>Generator Wattage Capacity</b>	<b>3750W</b>
<p><b>What this means:</b> The generator can produce a maximum of 3750W on a continuous basis to supply on-going power to your electronic devices.</p> <p><b>NOTE:</b> Also check the rated amperage for each outlet and make sure not to overload the individual outlets.</p>		<p><b>What this means:</b> Some devices such as box fans require short bursts of extra power in addition to the rated wattage listed by the device to start their motors.</p> <p>The generator can produce a maximum wattage of 4750W for a short period of time (seconds) to cover the extra starting power required by your electronic devices.</p>
<b>Electronic Device Wattage Calculation</b>	<p>Find the wattage information of each device you plan to connect. The information should be listed on the device or in its instruction manual, or you may refer to Table 2 - Estimated Wattages of Common Electrical Appliances.</p> <p>The wattage can be calculated using this equation: <b>Watts = Volts x Amperes</b></p>	
	<p><b>To calculate the total running watts of your devices:</b></p> <p>+ Add up the running wattages of all the device(s) you plan to connect.</p> <p>= The total running (rated) wattage.</p> <p>This wattage should NOT exceed the running wattage of <b>3750W</b>.</p> <p>It is recommended to maintain a load at or below 3375W (90% of the rated output) to ensure steady voltage output and to prolong the generator's lifespan.</p>	<p><b>To calculate the total starting watts of your devices:</b></p> <p>+ Add up the total running wattage of all the device(s) you plan to connect.</p> <p>+ Add the single highest <b>ADDITIONAL</b> starting wattage out of the device(s) you plan to connect.</p> <p>= The total starting (surge) wattage.</p> <p>This wattage should NOT exceed the starting wattage of 4750W.</p>
	<p>If any of either of the total calculated running watts or starting watts is higher than the capacity of your generator, adjust the load until both wattage requirements are met. Otherwise you will overload the generator, and cause damage to the engine and your electrical device(s).</p>	

Table 1 - How to Calculate Wattages

## **USING THE GENERATOR**

### **CALCULATING THE WATTAGE OF YOUR DEVICE(S) - CONTINUED**

The chart below serves as a reference for the estimated wattage requirements of common electrical devices. However, do not solely rely on this chart - all electronics and appliances are built differently. Always check the wattage listed on the electrical device before consulting this chart.

<b>Tool or Appliance</b>	<b>Rated (Running) Watts</b>	<b>Surge (Starting) Watts</b>
Hot Plate	2500	0
Saw - Radial Arm	2000	2000
Electric Stove (Each Element)	1500-2800	0
Saw - Circular	1500	1500
Air Compressor (1 HP)	1500	3000
Window Air Conditioner	1200	1800
Saw - Miter	1200	1200
Microwave	1000	0
Well Water Pump	1000	1000
Sump Pump	800	1200
Refrigerator Freezer	800	1200
Furnace Blower	800	1300
Computer	800	0
Electric Drill	600	900
Television	500	0
Deep Freezer	500	500
Garage Door Opener	480	0
Stereo	400	0
Box Fan	300	600
Clock Radio	300	0
Security System	180	0
DVD Player / VCR	100	0
Common Light Bulb	75	0

Table 2 - Estimated Wattages of Common Electrical Appliances

**NOTE:** Become familiar with the functions and capacity of each component on the control panel before connecting electrical devices. See page 11 for more information about the components of the control panel. Do not overload generator or individual panel receptacles. Do not connect 50Hz or 3-phase loads to the generator.

# USING THE GENERATOR

## SOME NOTES ABOUT POWER CORDS

Refer to the following chart in determining the necessary gauge extension cord for each of your devices. Round up to the higher amperage in the chart to maximize safety.

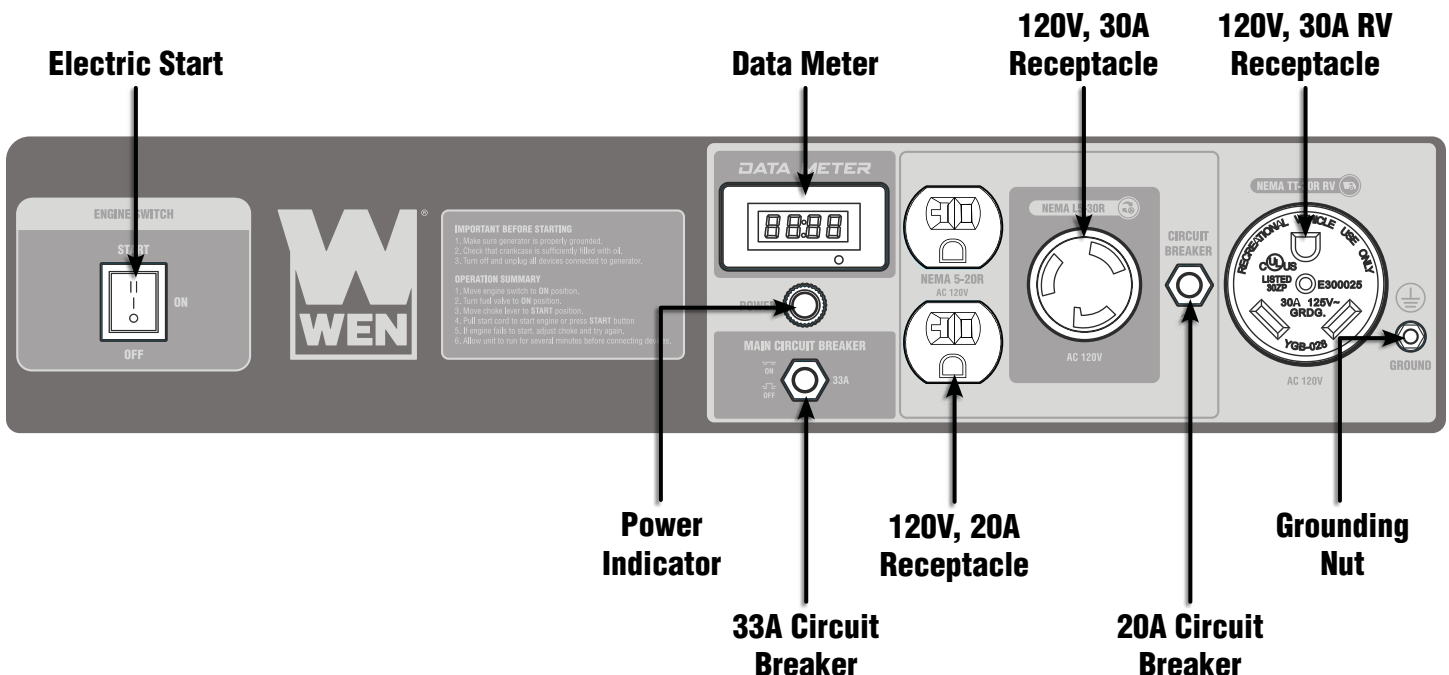
Device Requirements			Max. Cord Length (ft) by Wire Gauge				
Amps	Watts (120V)	Watts (240V)	#8 wire	#10 wire	#12 wire	#14 wire	#16 wire
2.5	300	600	NR	NR	NR	375	250
5	600	1200	NR	NR	300	200	125
7.5	900	1800	NR	350	200	125	100
10	1200	2400	NR	250	150	100	50
15	1800	3600	NR	150	100	65	NR
20	2400	4800	175	125	75	50	NR
25	3000	6000	150	100	60	NR	NR
30	3600	7200	125	65	NR	NR	NR
40	4800	9600	90	NR	NR	NR	NR

\*NR = Not Recommended

Table 3 - Power Cord Requirement Guide

**⚠ WARNING!** Generator should **only** be connected to electrical devices, either directly or with an extension cord. NEVER CONNECT TO A BUILDING ELECTRICAL SYSTEM unless a qualified electrician has connected the generator to a transfer switch as a separately derived system. Such connections must comply with local electrical laws and codes. Failure to comply can create a back-feed, which may result in serious injury or death.

**NOTE:** For power outages, permanently installed, stationary generators are better suited for providing backup power to your home. Even a properly connected portable generator can become overloaded. This may result in overheating or stressing the machine's components, possibly leading to generator failure.



# MAINTENANCE

## RECOMMENDED MAINTENANCE SCHEDULE

Proper routine maintenance of the generator will help prolong the life of the machine. Please perform maintenance checks and operations according to the maintenance schedule below, Table 4. If there are any questions about the maintenance procedures listed in this manual, please contact customer service at **1-847-429-9263** (M-F 8-5 CST), or email [techsupport@wenproducts.com](mailto:techsupport@wenproducts.com).

**⚠ WARNING!** Never perform maintenance operations while the generator is running. Before maintaining or servicing the generator, turn OFF the generator, disconnect all devices and allow the generator to cool down.

Recommended Maintenance Schedule		Every 8 Hours or Daily	Every 25 Hours	Every 3 Months or 50 Hours	Every 6 Months or 100 Hours	Before Storage	As Necessary
Engine Oil	Check Level	X					
	Replace	X**	X**	X*			X
Air Filter	Check			X*			
	Clean			X*			
Spark Plug	Check/Clean/Regap				X		
	Change				X		X
Fuel	Check Level	X					
	Drain					X	X
Carburetor	Drain	X					X
Spark Arrestor	Check/Clean				X		

\* Clean/change more often under dusty conditions or operating under heavy load.

Table 4 - Recommended Maintenance Schedule

\*\* Change the oil after the first 8 hours of operation, after the first 25 hours of operation, and every 50 hours after that.

### IMPORTANT GENERATOR MAINTENANCE TIPS:

- Drain your carburetor after each use and before storage to prevent it from clogging.
- Do not store the generator with fuel inside the tank for more than 2 months - the fuel will go bad.
- Run the generator for 20 to 30 minutes every month to maximize its lifespan.

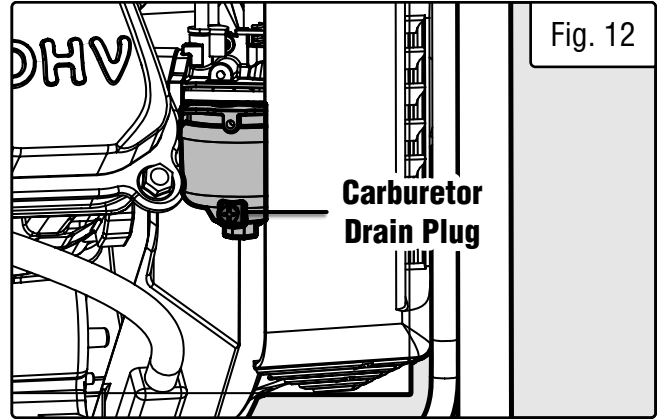
**NOTE:** Failure to properly maintain the generator will void the warranty.

## MAINTENANCE

### DRAINING THE CARBURETOR

Draining the carburetor is recommended after every use to prevent the fuel from clogging up the carburetor. The carburetor can be accessed from the backside of the generator between the engine and the air filter.

1. Turn the fuel valve to OFF position to prevent gasoline from draining from the fuel tank.
2. Open up the carburetor drain plug (Fig. 12) with a screwdriver and drain out any gasoline that has built up inside.
3. Once the fuel has drained, close the drain plug with the screwdriver.



**NOTE:** Make sure to drain your carburetor before storing the generator for long periods of time.

**⚠ WARNING!** To prevent serious injury from fire, follow the kit installation procedures in a well-ventilated area away from ignition sources. If the engine is hot from use, shut the engine off and wait for it to cool before proceeding. Do not smoke near the generator. Warranty will be void if adjustments are not made for high altitude use.

### CLEANING THE GENERATOR

Never clean the generator when it is running! Never clean with a bucket of water or a hose. Water can get inside the working parts of the generator and cause corrosion or a short circuit.

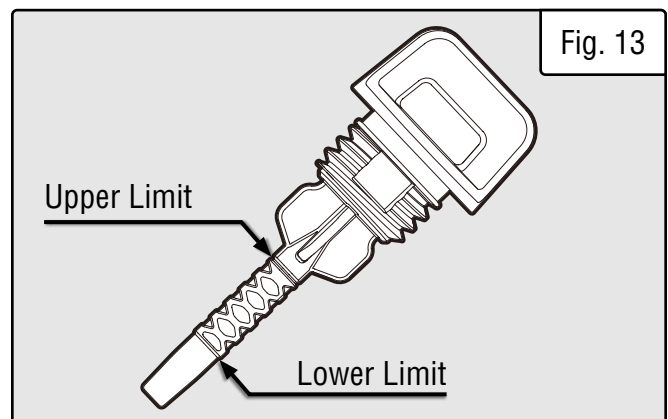
Always try to use the generator in a cool, dry place. If the generator becomes dirty, clean the exterior with a damp cloth, a soft brush, a vacuum or pressurized air.

### CHECKING THE OIL

Check the oil level of the generator according to the Recommended Maintenance Schedule. The generator is equipped with an automatic shutoff to protect it from running on low oil. The generator should be checked before each use for proper oil level. This is a critical step for proper engine starting.

#### To check the oil level:

1. Make sure the generator is on a level surface.
2. Clean around oil fill. Remove dipstick and wipe the dipstick with a clean rag. Insert the dipstick into the oil fill opening without screwing in. Remove the dipstick to check the oil mark. Add oil if the oil mark covers less than one half of the dipstick.
3. Slowly add more oil and repeat step 2 until the oil mark reaches to the top of dipstick (Fig. 13). Do not over fill the crankcase.
4. Reinstall oil dipstick.



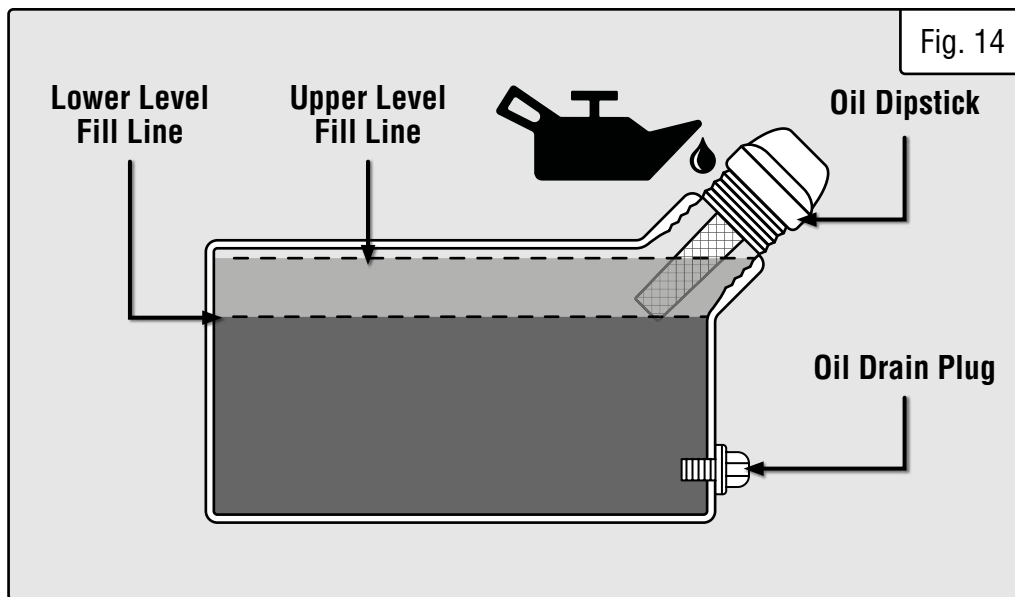
**NOTE:** The WEN Magnetic Oil Dipstick (**model 55201**) is available for purchase on [wenproducts.com](http://wenproducts.com). The dipstick's industrial-strength magnetic tip will collect metal shavings from your generator's oil compartment to help preserve the engine and extend your generator's lifespan.



## CHANGING / DRAINING THE OIL

Change the oil according to the Recommended Maintenance Schedule. Changing the oil when the engine is warm allows for complete drainage. Change the oil more often if operating under heavy load or high ambient temperatures. It is also necessary to drain the oil from the crankcase if it has become contaminated with water or dirt. The oil capacity of the generator engine is 17 fluid ounces. Add oil when the oil level is low. For proper type and weight of oil refer to “add oil” portion of the “Generator Preparation” section. Drain the oil from the generator according to the following steps after removing the side panel.

1. Place a container underneath the engine to catch the oil as it drains.
2. Using a 10 mm hex wrench, unscrew the oil drain plug (Fig. 14). Allow the oil to drain from the engine.
3. Reinstall the oil drain plug and tighten with a 10 mm hex wrench.



## TO REFILL THE OIL

1. Make sure the generator is on a level surface. Tilting the generator to assist in filling will cause oil to flow into engine areas and will cause damage. Keep generator level!
2. Remove the dipstick from the engine.
3. Using a funnel or appropriate dispenser, add the correct amount of oil into the crankcase. The engine is equipped with a low oil pressure sensor and will not start if the amount of oil is insufficient.
4. The oil is full when it reaches halfway up the threads of the dipstick (oil upper level fill line - Fig. 14). Reinstall dipstick.

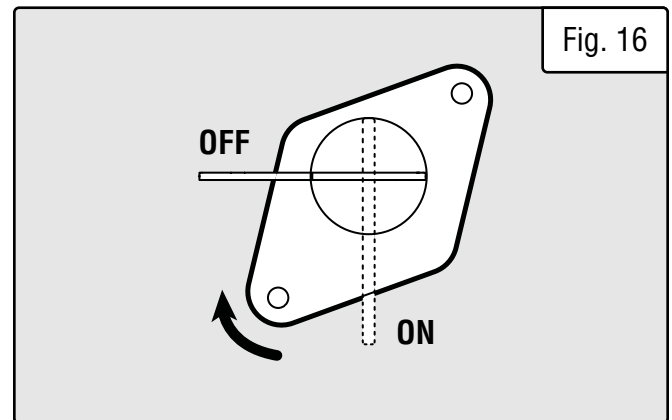
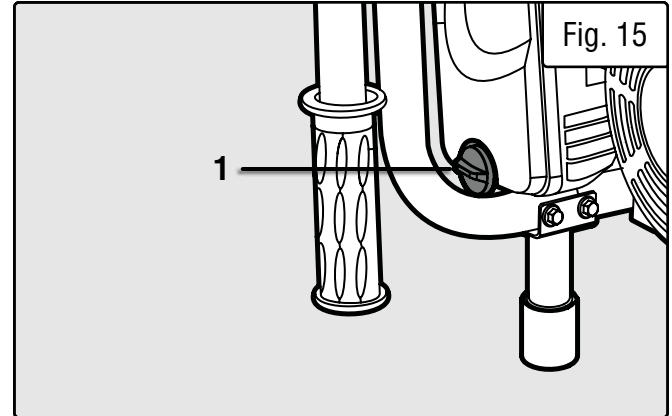
**NOTE:** Never dispose of used motor oil in the trash or down a drain. Please call a local recycling center or auto garage to arrange oil disposal.

# MAINTENANCE

## AIR CLEANER MAINTENANCE

Routine maintenance of the air cleaner helps maintain proper airflow to the carburetor. Occasionally check that the air cleaner is free of excessive dirt. Refer to Recommended Maintenance Schedule.

1. Unscrew the cover bolt (Fig. 15 - 1), then remove the air cleaner cover.
2. Remove the air cleaner element from the casing (the sponge-like filter inside).
3. Check and clean the spongy filter. Replace with a new one if the element has been damaged. Good filters can be washed in soapy water, dried and reused.
4. Wipe off excessive oil from the air cleaner case. Small amounts of oil in the element is normal and necessary for the engine to work properly.
5. Reinstall the air cleaner element and cover.



**⚠ CAUTION!** Running the engine with dirty, damaged or missing air cleaner element will cause the engine to wear out prematurely.

## FUEL FILTER CUP CLEANING

The fuel filter cup is a small well underneath the fuel valve. It helps to trap dirt and water that may be in the fuel tank before it can enter the engine. To clean the fuel filter cup:

1. Turn the fuel valve to the “OFF” position (Fig. 16).
2. Unscrew the fuel filter cup from the fuel valve using a wrench. Turn the valve towards you and unscrew it.
3. Clean the cup of all sediments using a rag or brush.
4. Reinstall the fuel filter cup.

**To maximize the lifespan of this generator, make sure to run it at least once a month. If you do not run it often, it will greatly shorten the lifespan and performance of the generator.**

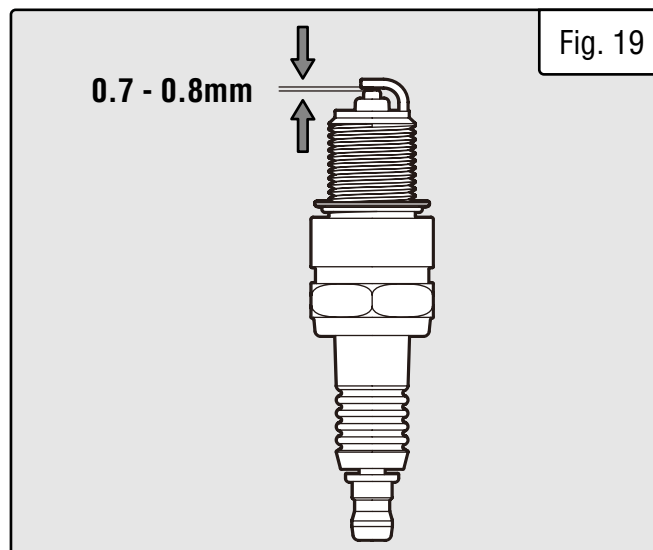
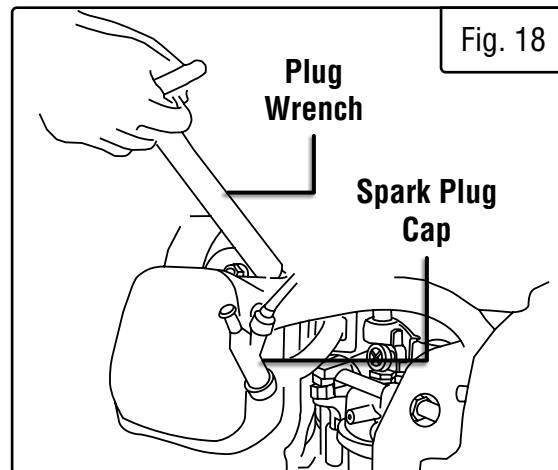
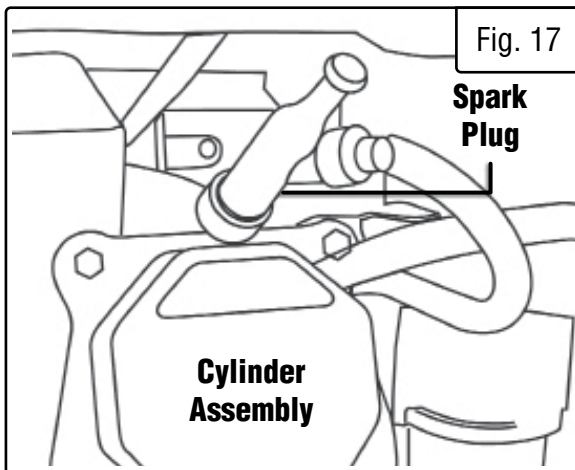
# MAINTENANCE

## SPARK PLUG MAINTENANCE

Check the spark plug regularly for proper engine operation (refer to the Recommended Maintenance Schedule). A good spark plug should be intact, free of deposits, and properly gapped.

### To inspect the spark plug (Fig. 17 - 19):

1. Pull on the spark plug cap to remove it. Be careful not to tear insulation or wire.
2. Unscrew the spark plug from the engine using the spark plug wrench provided. There is limited space for the wrench to turn. Use both rows of holes in the spark plug wrench to gain leverage and loosen the plug.
3. Visually inspect the spark plug for cracks or excessive electrode wear. Replace as necessary (Torch F6TC / NGK BP6ES).
4. Measure the plug gap with a spark plug gap gauge. The gap should be 0.7 to 0.8 mm (0.028-0.031 in.) (Fig. 19).
5. If you are re-using the spark plug, use a wire brush to clean any dirt from around the spark plug base then re-gap the spark plug.
6. Screw the spark plug back into the spark plug hole using the spark plug wrench. Do not over-tighten the spark plug. Recommended tightening is  $\frac{1}{2}$  to  $\frac{3}{4}$  of a turn after the spark plug gasket contacts spark plug hole, or 15 ft-lbs. Reinstall the spark plug cap.




## **MAINTENANCE**


### **DRAINING THE FUEL TANK**

Clean the fuel tank each year or before storing the generator for extended periods of time. To drain the fuel tank and carburetor:

1. Turn the fuel valve to the “OFF” position.
2. Remove the fuel line between the fuel valve and carburetor.

 **CAUTION!** A small amount of fuel may leak from the hose during removal.

3. Attach a fuel line (not included with the generator) to the exposed end of the fuel valve.
4. Position the fuel line into an appropriate container and open the fuel valve.
5. Once the fuel is drained, shut off the fuel valve.
6. Start and run the engine until the fuel runs out.
7. Remove the fuel filter cup (see Fuel Filter Cup Cleaning).
8. Empty the fuel filter cup of any fuel and clean.
9. Reinstall the fuel filter cup.
10. Store the emptied gasoline in a suitable place.

 **CAUTION!** Do not store fuel for more than 3 months.

**To maximize the lifespan of this generator, make sure to run it at least once a month. If you do not run it often, it will greatly shorten the lifespan and performance of the generator.**

## **STORAGE & TRANSPORT**

 **CAUTION!** Never place any type of storage cover on the generator while it is still hot.

If the generator is being stored for short periods of time (30 to 60 days), add stabilized fuel to the fuel tank until full.

**NOTE:** Filling the tank reduces the amount of air in the tank and helps reduce deterioration of fuel. Run the engine for 2 – 3 minutes allowing stabilized fuel mixture to circulate through the carburetor.

### **When storing the generator for extended periods of time:**

- Drain the fuel tank (see Draining the Fuel Tank).
- Change oil.
- Do not obstruct any ventilation openings.
- Keep the generator in a cool dry area.
- Disconnect the battery quick-connector (see p. 16).

### **When transporting generator:**

- Tighten fuel cap and vacuum relief valve. Drain the fuel tank if possible (see Draining the Fuel Tank).
- Keep the generator upright. Never place the generator side down. Doing so will make it difficult to start.

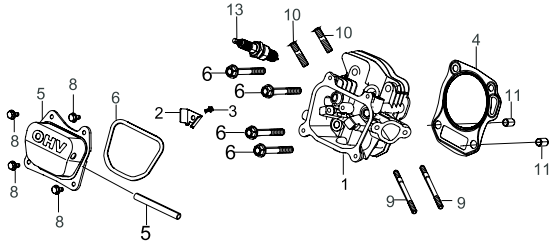
## TROUBLESHOOTING GUIDE

**⚠ WARNING!** Stop using the generator immediately if any of the following problems occur or risk serious personal injury. If you have any questions, please contact customer service at **1-847-429-9263** (M-F 8-5 CST), or email [techsupport@wenproducts.com](mailto:techsupport@wenproducts.com).

PROBLEM	POSSIBLE CAUSE	SOLUTION
<b>Engine will not start.</b>	Engine switch is set to OFF.	Set engine switch to ON.
	Fuel valve is turned to OFF.	Turn fuel valve to ON.
	Choke is open.	Close the choke.
	Engine is out of fuel.	Add fuel.
	Engine is filled with contaminated or old fuel.	Drain the fuel in the tank. Fill with fresh fuel.
	Spark plug is dirty.	Clean the spark plug.
	Spark plug is broken.	Replace spark plug.
	Oil level is low.	Add or replace oil. This generator is equipped with a low oil sensor. The engine will not start unless the oil level is sufficient.
	Carburetor is air locked.	Shut off the fuel valve. Remove the nut from the bottom of the carburetor. Take off the carburetor to allow it to reset. Place the carburetor back and reinstall the nut.
<b>Engine runs but there is no electrical output.</b>	Circuit breaker has been tripped due to overload.	Disconnect all the loads. Wait for two minutes and push the circuit breaker to the ON position to reset it.
	Bad connecting cords/wires.	Check the power cords and extension cords. Do not use if any cord is damaged. Replace damaged cords immediately.
	Bad electrical device connected to the generator.	Try connecting a different device.
<b>Generator runs but does not support all electrical devices connected.</b>	Generator is overloaded.	Perform these steps: 1. Turn off all electrical devices. 2. Unplug all electrical devices. 3. Turn off generator. 4. Wait several minutes. 5. Restart generator. 6. Try connecting few electrical loads to the generator.
	Short circuit in one of the devices.	Try disconnecting any faulty or short-circuited electrical loads.
	The air filter is dirty.	Clean or replace the air filter element (see page 20).
<b>Engine is “Hunting” during Operation (Engine RPM is fluctuating).</b>	<ol style="list-style-type: none"> <li>1. The fuel isn't running through the fuel valve.</li> <li>2. The air filter is clogged.</li> <li>3. The muffler or spark arrester is blocked</li> <li>4. There is gunk in the carburetor preventing the fuel/air to be consistent.</li> </ol>	Turn off the generator and wait for it to cool down. Perform the following steps: <ol style="list-style-type: none"> <li>1. Check if the fuel is properly and consistently going through the fuel valve</li> <li>2. Check for any blockage in the air filter. Check and clean the air filter as necessary.</li> <li>3. Check if the spark arrester is blocked. Clean with metal brush as necessary.</li> <li>4. Use “Gunk remover” spray on the carburetor jets.</li> </ol>

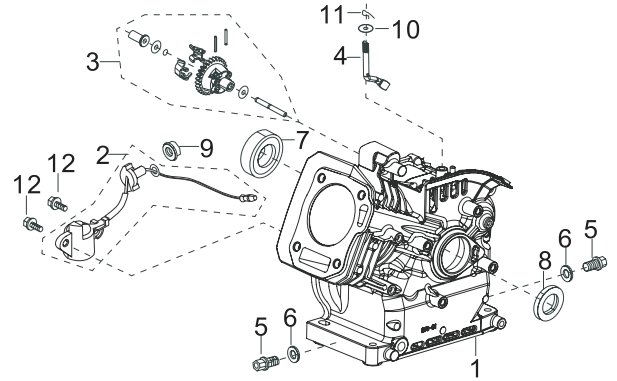
# EXPLODED VIEW & PARTS LIST

**NOTE:** Replacement parts can be purchased from [wenproducts.com](http://wenproducts.com), or by calling our customer service at **1-847-429-9263**, M-F 8-5 CST. Parts and accessories that wear down over the course of normal use are not covered by the two-year warranty. Not all parts may be available for purchase.



**Fig. 1 - Cylinder Head Assembly**

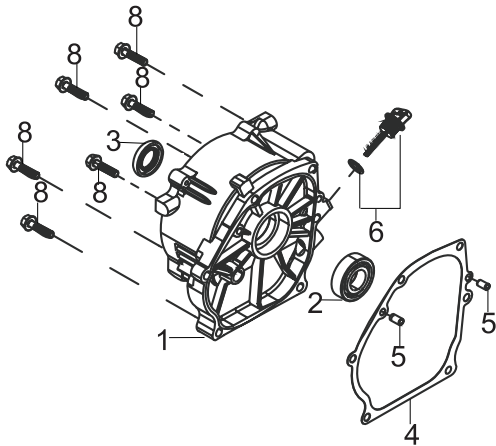
No.	Part	Description	Qty.
1-1	GN5000-0101	Cylinder Head Assembly	1
1-2	GN5000-0102	Cylinder Head limit plate	1
1-3	GN5000-0103	Bolt, M6x10	1
1-4	GN5000-0104	Cylinder Head Gasket	1
1-5	GN5000-0105	Cylinder Head Cover Assembly	1
1-6	GN5000-0106	Cylinder Head Cover Gasket	1
1-7	GN5000-0107	Breather Tube	1
1-8	P54040	Bolt, M6x12	4
1-9	P54047	Stud	2
1-10	P54058	Stud	2
1-11	P54048	Pin	2
1-12	P54062	Bolt, M8x60	4
1-13	P54060	Spark Plug, Torch F6TC (NGK BP6ES)	1



**Fig. 2 - Crankcase Assembly**

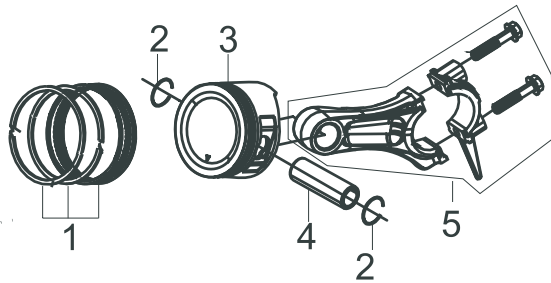
No.	Part	Description	Qty.
2-1	GN5000-0201	Crankcase	1
2-2	P54020	Oil Sensor	1
2-3	GN5000-0203	Regular Gear Assembly	1
2-4	GN5000-0204	Governor Arm	1
2-5	P54000	Oil Drain Plug	1
2-6	GN5000-0206	Washer	1
2-7	GN5000-0207	Bearing, 6205	1
2-8	P54008	Oil Seal	2
2-9	P54003	Nut, M10	1
2-10	GN5000-0210	Washer	2
2-11	P54018	Pin	1
2-12	P54024	Bolt, M6x14	1

# EXPLODED VIEW & PARTS LIST



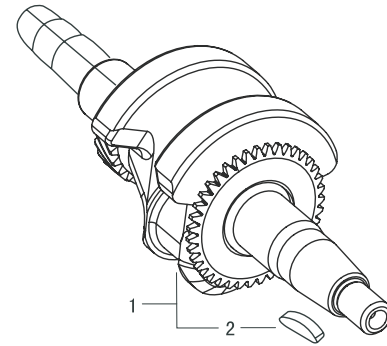
**Fig. 3 - Crankcase Cover Assembly**

No.	Part	Description	Qty.
3-1	P54075	Crankcase Cover	1
3-2	GN5000-0207	Bearing, 6205	1
3-3	P54088	Oil Seal	1
3-4	P54080	Crankcase Gasket	1
3-5	P54082	Pin	2
3-6	P54086	Oil Dipstick Assembly	1
3-8	P54092	Bolt, M8x32	6



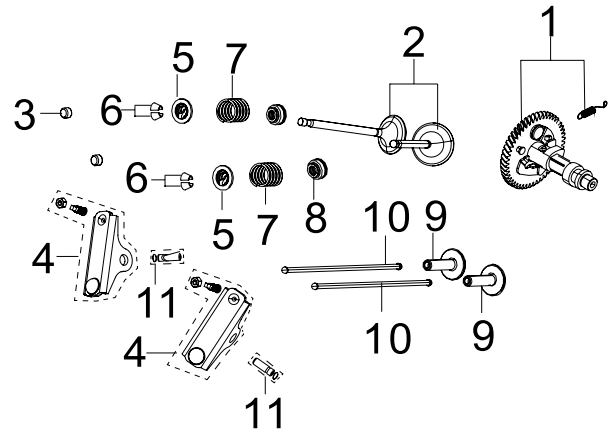
**Fig. 5 - Piston Ring / Connecting Rod**

No.	Part	Description	Qty.
5-1	GN5000-0501	Piston Ring Assembly	1
5-2	GN5000-0502	Piston Pin Clip	2
5-3	GN5000-0503	Piston	1
5-4	GN5000-0504	Piston Pin	1
5-5	GN5000-0505	Connecting Rod	1



**Fig. 4 - Crankshaft**

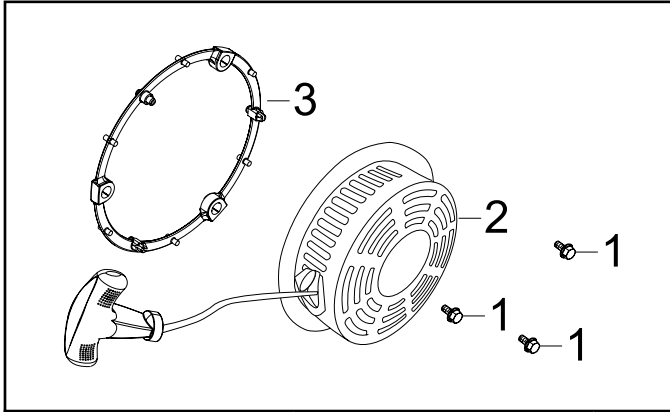
No.	Part	Description	Qty.
4-1	GN5000-0401	Crankshaft Assembly	1



**Fig. 6 - Valve / Camshaft Assembly**

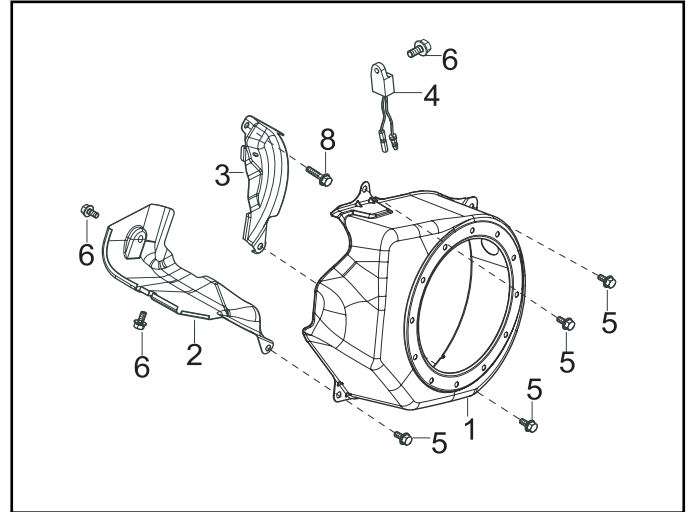
No.	Part	Description	Qty.
6-1	GN5000-0601	Camshaft Assembly	1
6-2	GN5000-0602	Valve	2
6-3	GN5000-0603	Valve Adjustment Cap	2
6-4	GN5000-0613	Valve Rocker	2
6-5	P54158	Valve Spring Seat	2
6-6	P54160	Valve Lock	2
6-7	P54154	Valve Spring	2
6-8	P54161	Guide Seal	2
6-9	P54142	Tappet	2
6-10	GN5000-0610	Lifter	2
6-12	GN5000-0612	Rocker Shaft	2
6-14	P54130	Sleeve	2
6-15	P54128	Lock Nut	2

# EXPLODED VIEW & PARTS LIST



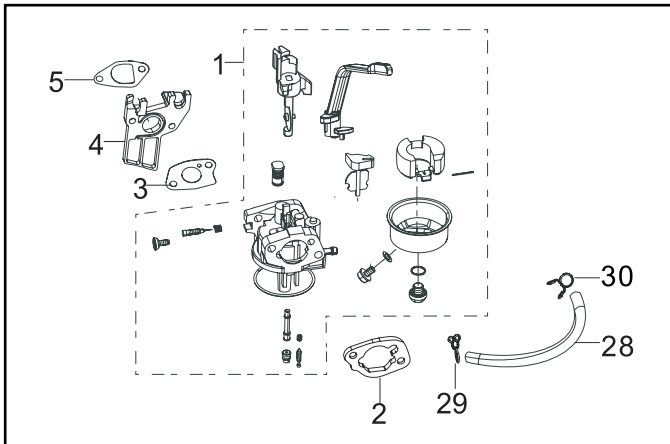
**Fig. 7 - Recoil Starter**

No.	Part	Description	Qty.
7-1	P54598	Bolt, M6x8	3
7-2	GN5000-0702	Recoil Starter Assembly	1
7-3	GN5000-0703	Retaining Ring	1



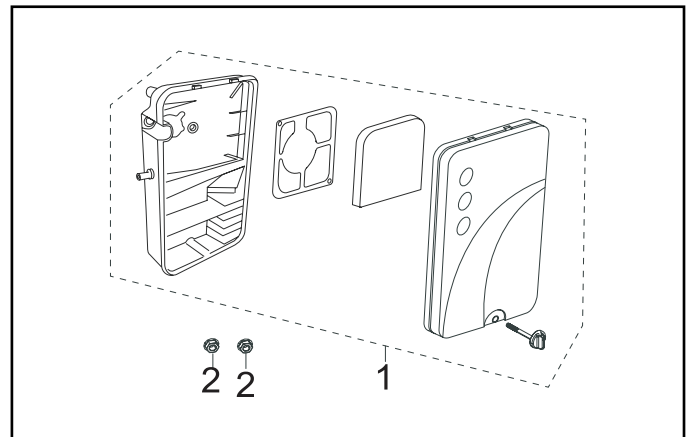
**Fig. 8 - Shroud**

No.	Part	Description	Qty.
8-1	GN5000-0801	Shroud End	1
8-2	GN5000-0802	Shroud Cylinder Body	1
8-3	P54596B	Lower Shield	1
8-4	GN5000-804	Bolt M6x16	1
8-5	P54040	Bolt, M6x12	4
8-6	P54040	Bolt, M6x10	2



**Fig. 9 - Carburetor Assembly**

No.	Part	Description	Qty.
9-1	GN5000-0901	Carburetor Assembly	1
9-2	P54168	Air Filter Gasket	1
9-3	P54166	Carburetor Gasket	1
9-4	GN5000-0904	Carburetor Insulator Plate	1
9-5	GN5000-0905	Carburetor Insulator Gasket	1
9-28	P54388	Fuel Line	1
9-29	P54390	Hose Clamp	2
N.P.	GN5000-HA36	High-Altitude Kit, 3000 - 6000 ft	N/A
N.P.	GN5000-HA68	High-Altitude Kit, 6000 - 8000 ft	N/A

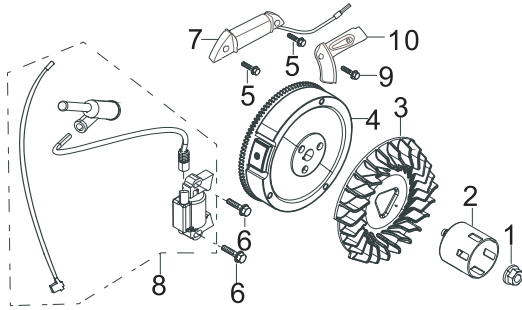


**Fig. 10 - Air Cleaner**

No.	Part	Description	Qty.
10-1	GN5000-1001	Air Filter Assembly	1
N.P.	GN5000-1001.1	Air Filter Element	1
10-2	P54179	Nut, M6	2

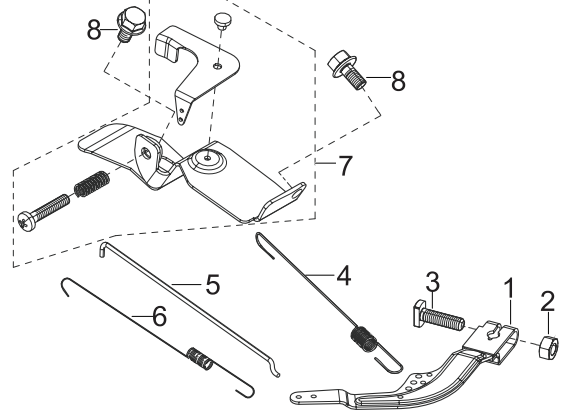


# EXPLODED VIEW & PARTS LIST



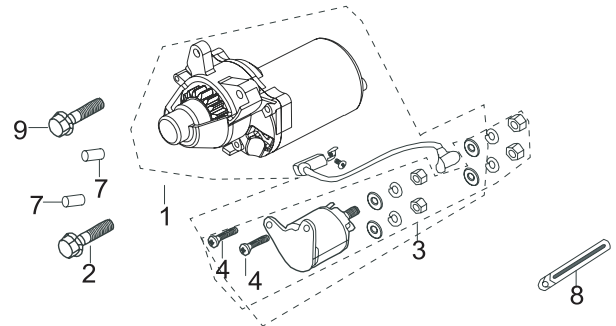
**Fig. 11 - Flywheel / Ignition Coil**

No.	Part	Description	Qty.
11-1	P54630	Nut, M14-1.5	1
11-2	GN5000-1102	Starting Flange	1
11-3	GN5000-1103	Flywheel Fan	1
11-4	GN5000-1104	Flywheel Subassembly	1
11-5	56475-1105	Bolt, M6x25	2
11-6	P54628	Bolt, M6x28	2
11-7	56475-1107	Charge Coil Subassembly	1
11-8	P54638	Ignition Coil Assembly	1
11-9	56475-1109	Bolt, M6x10	1
11-10	56475-1110	Coil Clamp	1



**Fig. 12 - Control Assembly**

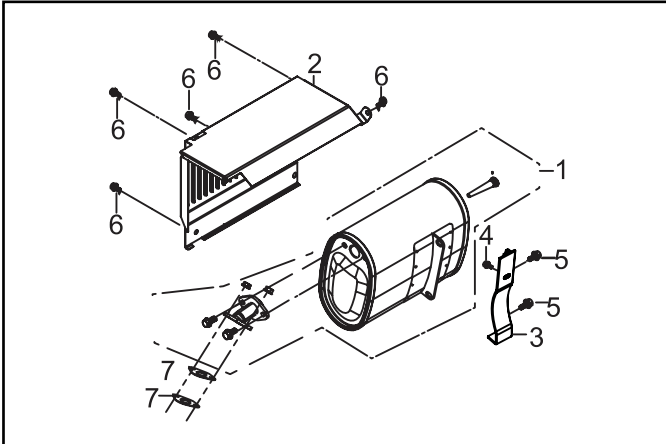
No.	Part	Description	Qty.
12-1	P54624	Regulating Arm	1
12-2	P54176	Nut, M6	1
12-3	P54622	Lock Bolt, M6x21	1
12-4	P54616	Back Spring	1
12-5	GN5000-1205	Pulling Rod	1
12-6	P54618	Regulating Spring	1
12-7	GN5000-1207	Regulating Assembly	1
12-8	P54619	Bolt, M6x10	2



**Fig. 13 - Starter Assembly**

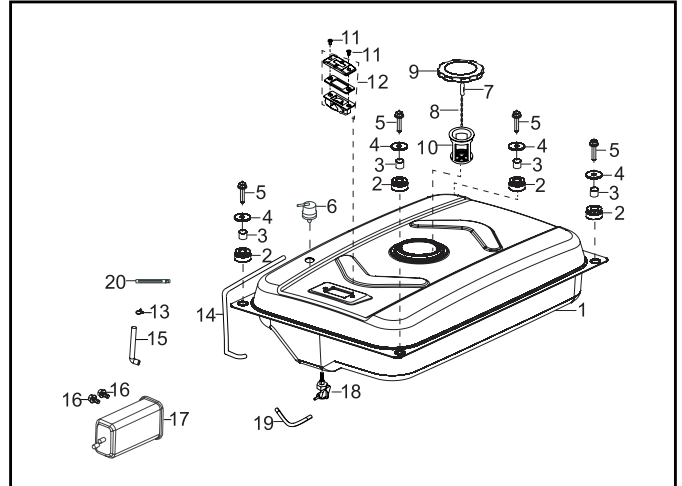
No.	Part	Description	Qty.
13-1	GN5000-1301	Starter Motor	1
13-2	56475-1302	Bolt, M6x35	1
13-3	56475-1303	Starter Solenoid	1
13-4	56475-1304	Bolt, M5x14	2
13-7	56475-1305	Pin	2
13-8	56475-1306	Clip	5
13-9	56475-1307	Bolt, M6x25	1

# EXPLODED VIEW & PARTS LIST



**Fig. 14 - Muffler Assembly**

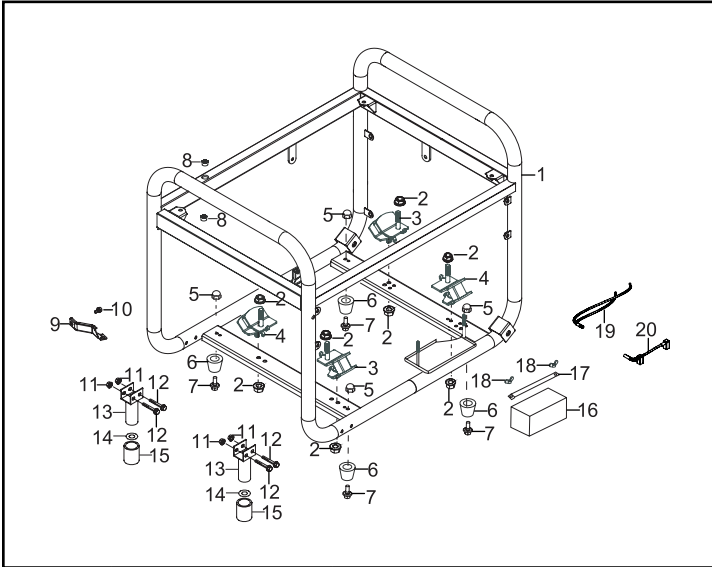
No.	Part	Description	Qty.
14-1	GN5000-1401	Muffler Assembly	1
N.P.	GN5000-1401.1	Spark Arrestor	1
14-2	P54402	Muffler Cover	1
14-3	P54412	Muffler Bracket	1
14-4	P54422	Bolt, M6x12	1
14-5	P54404	Bolt, M8x16	2
14-6	P54422	Bolt, M6x12	5
14-7	P54426	Gasket, Exhaust Outlet	1
14-10	P54246	Nut, M8	2



**Fig. 15 - Tank, Fuel**

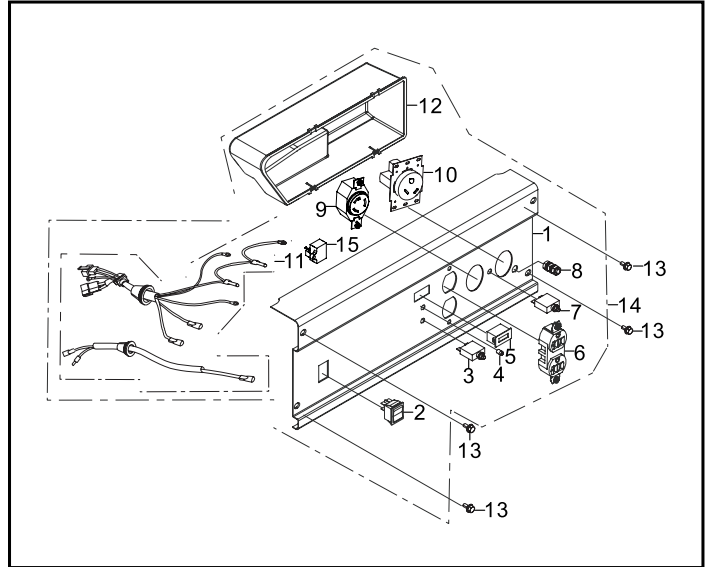
No.	Part	Description	Qty.
15-1	56475VN-1501	Fuel Tank	1
15-2	P54386	Cushion	4
15-3	P54396	Bushing	4
15-4	P54384	Washer	4
15-5	P54186	Bolt, M6x25	4
15-6	P54375-2	Valve	1
15-7	P54373-1	Clip	1
15-8	P54373	Chain	1
15-9	P54365	Fuel Cap	1
15-10	P54372	Fuel Filter	1
15-11, 12	P54374	Fuel Gauge Assembly	2
15-13	P54375-9	Clamp	1
15-14	56475-1518	Rubber Hose	1
15-15	56475-1524	Carbon Tank Hose	1
15-16	56475-1526	Bolt, M6x12	2
15-17	56475-1525	Carbon tank	
15-18	56475VN-1518	Fuel Valve	1
15-19	P54388	Fuel Tube	1
15-20	5647-1519	Clip	1

# EXPLODED VIEW & PARTS LIST



**Fig. 16 - Frame, Engine**

No.	Part	Description	Qty.
16-1	GN5000-1601	Frame Comp	1
16-2	P54246	Nut, M8	2
16-3	P54242	Bottom Rubber A	2
16-4	P54244	Bottom Rubber B	2
16-5	P54246	Nut, M8	4
16-6	P54871	Rubber Foot Assembly	4
16-7			
16-8			
16-9	56475-1720	Air Filter Support Bracket	1
16-10	56475-1711	Bolt, M6x12	1
16-11	56475-1712	Nut, M6	4
16-12	56475-1711	Bolt, M6x40	4
16-13	56475-1706	Front Rubber Foot Assembly	2
16-14	56475-1710	Washer	2
16-15	P54871-3	Front Rubber Foot Sleeve	2
16-16	56475-1713	12V Battery	1
16-17	56475-1715	Battery Clamp	1
16-18	56475-1714	Butterfly nut	2
16-19	GN5000-1619	Quick-connector Wiring, Motor	1
16-20	GN5000-1620	Quick-connector Wiring, Battery	1

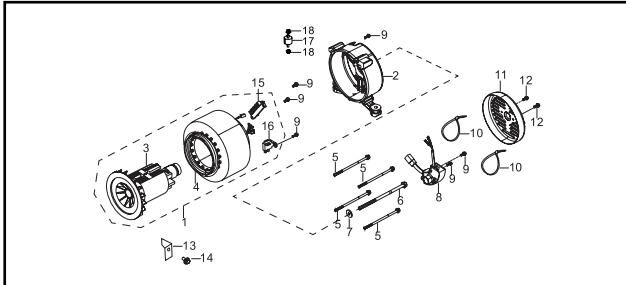


**Fig. 17 - Panel Subassembly, Control**

No.	Part	Description	Qty.
17-1	P54283C	Control Panel	1
17-2	P54296B	Ignition Switch	1
17-3	GN5000-1707	33A Circuit Breaker	1
17-4	56475-1804	Power Indicator	1
17-5	P54877	Hour Meter	1
17-6	P54454	20A 5-20R Duplex Receptacle	1
17-7	56475-1803	20A Circuit Breaker	1
17-8	P54262	Grounding Terminal	1
17-9	P54272B	30A L5-30R Receptacle	1
17-10	56475-1810	30A TT-30R RV Receptacle	1
17-11	56475-1811	Wiring Harness	1
17-12	56475-1812	Rear Panel	1
17-13	P54304	Bolt, M6x12	4
17-14	GN5000-1714ASM	Control Panel Assembly	1
17-15	GN5000-1715	Low-Speed / Low-Oil Sensor	1

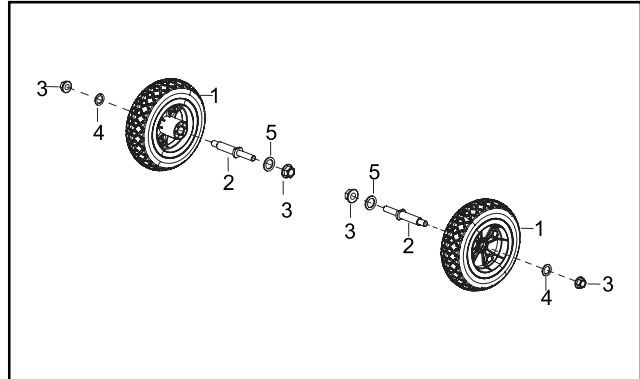
# EXPLODED VIEW & PARTS LIST

**NOTE:** Replacement parts can be purchased from [wenproducts.com](http://wenproducts.com), or by calling our customer service at **1-847-429-9263**, M-F 8-5 CST. Parts and accessories that wear down over the course of normal use are not covered by the two-year warranty. Not all parts may be available for purchase.



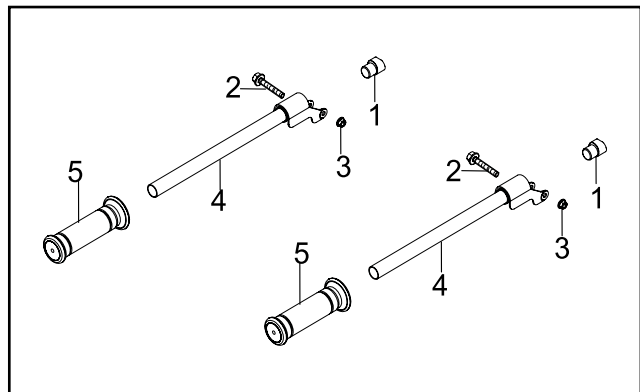
**Fig. 18 - Rotor / Stator**

No.	Part	Description	Qty.
18-1	GN5000-1801	Alternator Assembly	1
18-2	GN5000-1802	Alternator Bracket	1
18-3	GN5000-1803	Rotor	1
18-4	GN5000-1804	Stator	1
18-5	GN5000-1805	Bolt, M6x174	4
18-6	GN5000-1806	Rotor Bolt, M8x230	1
18-7	P54348	Washer	1
18-8	56475-1908	Voltage Regulator	1
18-9	P54360	Bolt, M5x12	2
18-10	56475-1910	Cable Tie	2
18-11	GN5000-1811	End Cover	1
18-12	P54340	Bolt, M5x12	2
18-13	56475-1913	Stopper	1
18-14	56475-1914	Bolt, M6x12	1
18-15	56475-1915	Terminal	1
18-16	P54332	Carbon Brush Subassembly	1



**Fig. 19 - Wheel Kit Assembly**

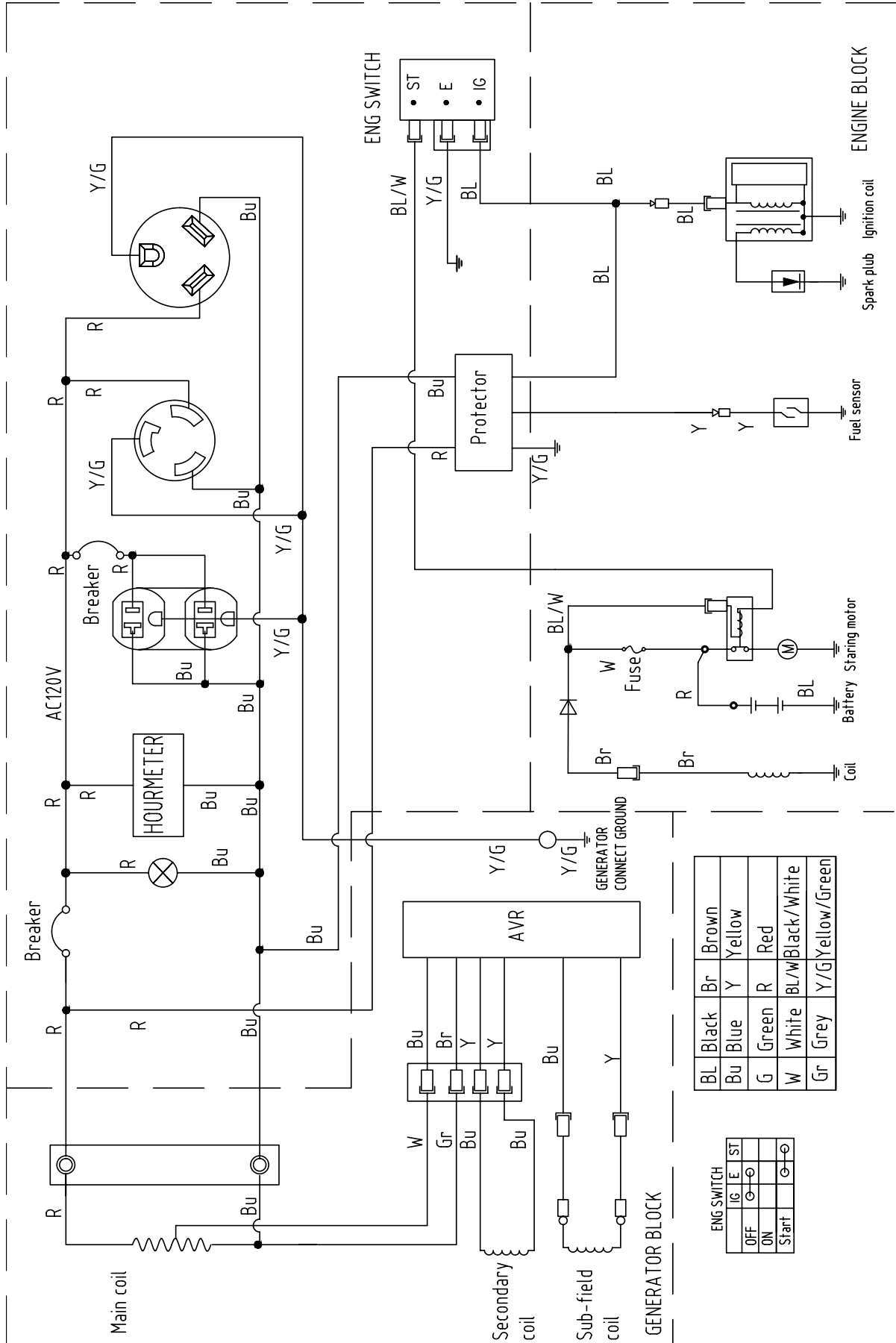
No.	Part	Description	Qty.
19-1	56475-1601	Wheel	2
19-2	56475-1602	Wheel Shaft	2
19-3	56475-1603	Nut, M12x1.75	2
19-4	56475-1604	Washer, 1.5mm	2
19-5	56475-1605	Washer, 2.5mm	2
19-6	56475-1606	Nut, M12x1.75	2



**Fig. 20 - Handles**

No.	Part	Description	Qty.
20-1	56475-2001	Rubber Seat	2
20-2	56475-2002	Bolt, M8x45	2
20-3	56475-2003	Nut, M6	2
20-4	56475-2004	Steel Handle	2
20-5	56475-2005	Rubber Handle Sleeve	2

# WIRING DIAGRAM



# **WARRANTY STATEMENT**

WEN Products is committed to building tools that are dependable for years. Our warranties are consistent with this commitment and our dedication to quality.

## **LIMITED WARRANTY OF WEN PRODUCTS FOR HOME USE**

GREAT LAKES TECHNOLOGIES, LLC (“Seller”) warrants to the original purchaser only, that all WEN consumer power tools will be free from defects in material or workmanship during personal use for a period of two (2) years from date of purchase or 500 hours of use; whichever comes first. Ninety days for all WEN products if the tool is used for professional or commercial use. Purchaser has 30 days from the date of purchase to report missing or damaged parts.

SELLER’S SOLE OBLIGATION AND YOUR EXCLUSIVE REMEDY under this Limited Warranty and, to the extent permitted by law, any warranty or condition implied by law, shall be the replacement of parts, without charge, which are defective in material or workmanship and which have not been subjected to misuse, alteration, careless handling, misrepair, abuse, neglect, normal wear and tear, improper maintenance, or other conditions adversely affecting the Product or the component of the Product, whether by accident or intentionally, by persons other than Seller. To make a claim under this Limited Warranty, you must make sure to keep a copy of your proof of purchase that clearly defines the Date of Purchase (month and year) and the Place of Purchase. Place of Purchase must be a direct vendor of Great Lakes Technologies, LLC. Purchasing through third party vendors, including but not limited to garage sales, pawn shops, resale shops, or any other secondhand merchant, voids the warranty included with this product. Contact [techsupport@wenproducts.com](mailto:techsupport@wenproducts.com) or 1-847-429-9263 with the following information to make arrangements: your shipping address, phone number, serial number, required part numbers, and proof of purchase. Damaged or defective parts and products may need to be sent to WEN before the replacements can be shipped out.

Upon the confirmation of a WEN representative, your product may qualify for repairs and service work. When returning a product for warranty service, the shipping charges must be prepaid by the purchaser. The product must be shipped in its original container (or an equivalent), properly packed to withstand the hazards of shipment. The product must be fully insured with a copy of the proof of purchase enclosed. There must also be a description of the problem in order to help our repairs department diagnose and fix the issue. Repairs will be made and the product will be returned and shipped back to the purchaser at no charge for addresses within the contiguous United States.

THIS LIMITED WARRANTY DOES NOT APPLY TO ITEMS THAT WEAR OUT FROM REGULAR USAGE OVER TIME, INCLUDING BELTS, BRUSHES, BLADES, BATTERIES, ETC. ANY IMPLIED WARRANTIES SHALL BE LIMITED IN DURATION TO TWO (2) YEARS FROM DATE OF PURCHASE. SOME STATES IN THE U.S. AND SOME CANADIAN PROVINCES DO NOT ALLOW LIMITATIONS ON HOW LONG AN IMPLIED WARRANTY LASTS, SO THE ABOVE LIMITATION MAY NOT APPLY TO YOU.

IN NO EVENT SHALL SELLER BE LIABLE FOR ANY INCIDENTAL OR CONSEQUENTIAL DAMAGES (INCLUDING BUT NOT LIMITED TO LIABILITY FOR LOSS OF PROFITS) ARISING FROM THE SALE OR USE OF THIS PRODUCT. SOME STATES IN THE U.S. AND SOME CANADIAN PROVINCES DO NOT ALLOW THE EXCLUSION OR LIMITATION OF INCIDENTAL OR CONSEQUENTIAL DAMAGES, SO THE ABOVE LIMITATION OR EXCLUSION MAY NOT APPLY TO YOU.

THIS LIMITED WARRANTY GIVES YOU SPECIFIC LEGAL RIGHTS, AND YOU MAY ALSO HAVE OTHER RIGHTS WHICH VARY FROM STATE TO STATE IN THE U.S., PROVINCE TO PROVINCE IN CANADA AND FROM COUNTRY TO COUNTRY.

THIS LIMITED WARRANTY APPLIES ONLY TO ITEMS SOLD WITHIN THE UNITED STATES OF AMERICA, CANADA AND THE COMMONWEALTH OF PUERTO RICO. FOR WARRANTY COVERAGE WITHIN OTHER COUNTRIES, CONTACT THE WEN CUSTOMER SUPPORT LINE. FOR WARRANTY PARTS OR PRODUCTS REPAIRED UNDER WARRANTY SHIPPING TO ADDRESSES OUTSIDE OF THE CONTIGUOUS UNITED STATES, ADDITIONAL SHIPPING CHARGES MAY APPLY.



**THANKS FOR  
REMEMBERING** **W**<sup>®</sup>  
**WEN**