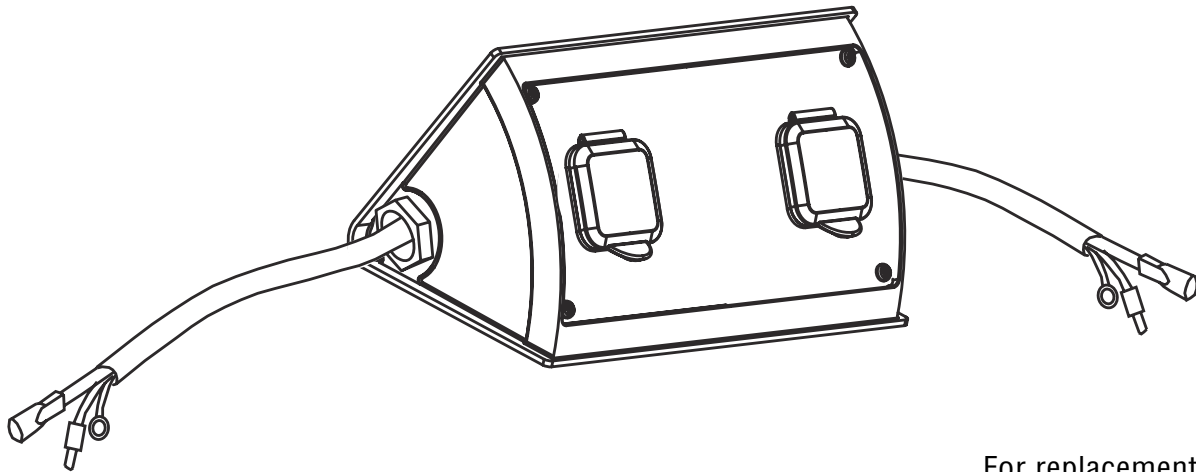




MODEL 56421

INVERTER GENERATOR PARALLEL CONNECTION KIT



For replacement parts visit
WENPRODUCTS.COM

IMPORTANT:

Your new tool has been engineered and manufactured to WEN's highest standards for dependability, ease of operation, and operator safety. When properly cared for, this product will supply you years of rugged, trouble-free performance. Pay close attention to the rules for safe operation, warnings, and cautions. If you use your tool properly and for its intended purpose, you will enjoy years of safe, reliable service.



NEED HELP? CONTACT US!

Have product questions? Need technical support?
Please feel free to contact us at:



800-232-1195 (M-F 8am-5pm CST)



techsupport@wenproducts.com



WENPRODUCTS.COM

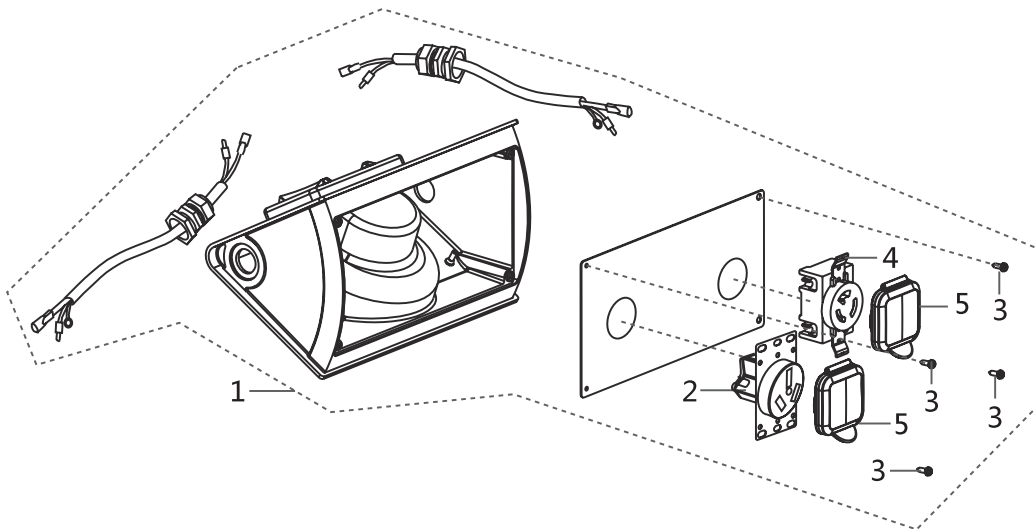
NOTICE: Please refer to wenproducts.com for the most up-to-date instruction manual.

PARALLEL CONNECTION KIT SAFETY RULES

⚠ WARNING: To avoid mistakes and serious injury, do not plug in your parallel connection kit or electrical device until the following steps have been read and understood.

1. DO NOT operate in rain, wet or damp conditions, or with wet hands. The operator may suffer severe electric shock if the generator is wet.
2. If at any point the parallel connection kit becomes wet, wipe and dry the kit well before operation. Do not pour water on the parallel connection kit or use water to clean the kit.
3. Pay attention to extension cords and all wiring attached to the parallel kit. If any wires are under the generator or in contact with a vibrating part, it may break, causing a generator burnout and electric shock hazard. Properly replace damaged cords immediately.
4. Follow all necessary electrical grounding procedures for the parallel kit, connected generators, and related equipment. The parallel kit is designed to be grounded to provide a path of least resistance for the electric current, reducing the risk of electric shock in the event of a failure or breakdown. Failure to correctly ground equipment can cause serious injury or death.
5. DO NOT connect or disconnect parallel kit wires while the generator is running. Only turn on generators once the parallel kit wires have been properly connected.

EXPLODED VIEW & PARTS LIST



No.	Part No.	Description	Qty.
1	56421	Parallel Kit	1
2	56421-002	Circuit Breaker	2
3	56421-003	120V AC TT-30 (RV) Receptacle	1
4	56421-004	Bolt	4
5	56421-005	120V AC L5-30 Twist Lock Receptacle	1
6	56421-006	Receptacle Cover	2

OPERATION & STORAGE

OPERATION

1. Clip the parallel connection kit onto one of the inverter generators (Fig. 1), or place the kit on dry ground.

⚠ WARNING: If the parallel kit is placed on the ground, be careful not to accidentally trample the wires.

⚠ WARNING: Make sure both generators are OFF and all electronic devices are unplugged from the generator and parallel connection kit before plugging in your kit to the generators.

2. The parallel kit has two sets of wires (Fig. 2). Securely connect each set of wires to each generator's control panel (Fig. 3).

Insert the red plug into the red parallel connection port and the black plug into the black port of each generator. If the wires are not connected correctly, the generators will not output any power.

Attach the green wire with metal ring to each generator's grounding nut. **NOTE:** Failure to properly ground the generator or parallel kit can increase your risk of electric shock.

3. Once all the wires are correctly connected, start the inverter generators one at a time, according to the instructions included with your generator. The generator that has been started first will be the primary generator.

4. Allow the generators to run for several minutes to stabilize speed and output before plugging in your electrical device(s).

NOTE: The total rated power of your parallel kit is 3600W (30A). Do not overload the receptacles.

STORAGE

When the parallel kit is not in use, disconnect the kit from the inverters. Bind the cords around the parallel kit body. Place the parallel kit back into its packaging for storage. Store in a well-ventilated, dry area.

If the parallel kit is to be left with the inverter, bind the cords together so as to prevent trampling of the plugs and cords.

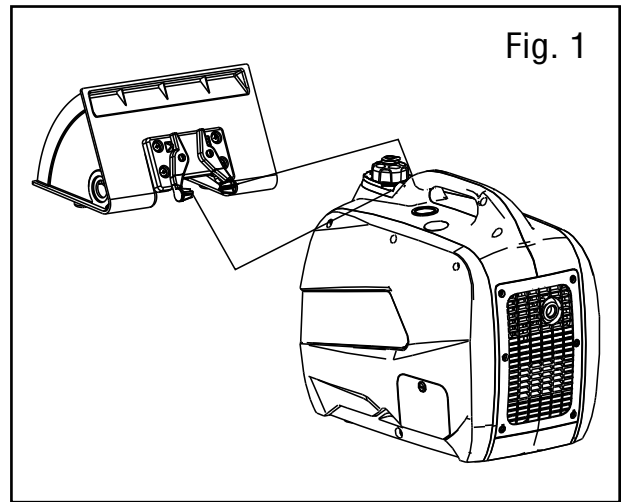


Fig. 1

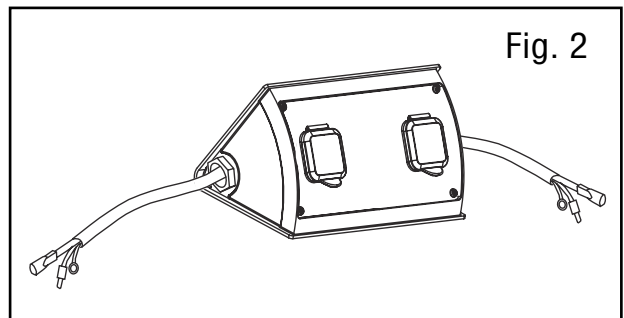


Fig. 2

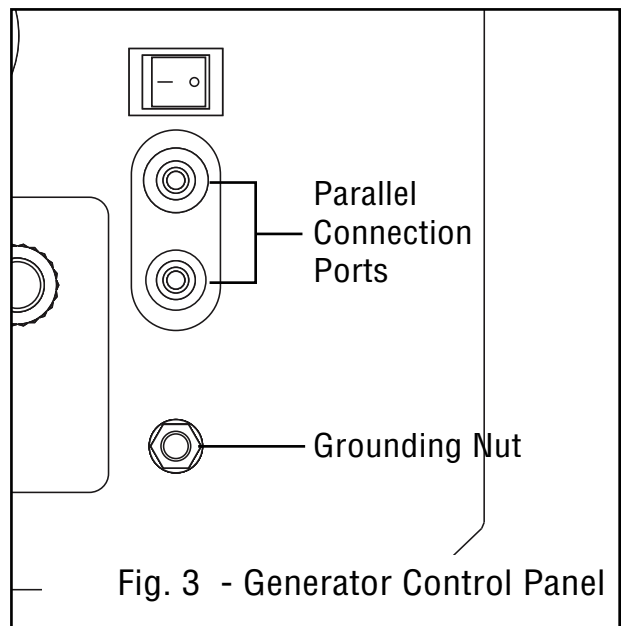


Fig. 3 - Generator Control Panel

WARRANTY STATEMENT

WEN Products is committed to building tools that are dependable for years. Our warranties are consistent with this commitment and our dedication to quality.

LIMITED WARRANTY OF WEN CONSUMER POWER TOOLS PRODUCTS FOR HOME USE

GREAT LAKES TECHNOLOGIES, LLC (“Seller”) warrants to the original purchaser only, that all WEN consumer power tools will be free from defects in material or workmanship for a period of two (2) years from date of purchase. Ninety days for all WEN products if the tool is used for professional or commercial use.

SELLER’S SOLE OBLIGATION AND YOUR EXCLUSIVE REMEDY under this Limited Warranty and, to the extent permitted by law, any warranty or condition implied by law, shall be the repair or replacement of parts, without charge, which are defective in material or workmanship and which have not been misused, carelessly handled, or misrepaired by persons other than Seller or Authorized Service Center. To make a claim under this Limited Warranty, you must make sure to keep a copy of your proof of purchase that clearly defines the Date of Purchase (month and year) and the Place of Purchase. Place of purchase must be a direct vendor of Great Lakes Technologies, LLC. Third party vendors such as garage sales, pawn shops, resale shops, or any other secondhand merchant void the warranty included with this product. Contact techsupport@wenproducts.com or 1-800-232-1195 to make arrangements for repairs and transportation.

When returning a product for warranty service, the shipping charges must be prepaid by the purchaser. The product must be shipped in its original container (or an equivalent), properly packed to withstand the hazards of shipment. The product must be fully insured with a copy of the warranty card and/or the proof of purchase enclosed. There must also be a description of the problem in order to help our repairs department diagnose and fix the issue. Repairs will be made and the product will be returned and shipped back to the purchaser at no charge.

THIS LIMITED WARRANTY DOES NOT APPLY TO ACCESSORY ITEMS THAT WEAR OUT FROM REGULAR USAGE OVER TIME INCLUDING BELTS, BRUSHES, BLADES, ETC. ANY IMPLIED WARRANTIES SHALL BE LIMITED IN DURATION TO TWO (2) YEARS FROM DATE OF PURCHASE. SOME STATES IN THE U.S., SOME CANADIAN PROVINCES DO NOT ALLOW LIMITATIONS ON HOW LONG AN IMPLIED WARRANTY LASTS, SO THE ABOVE LIMITATION MAY NOT APPLY TO YOU.

IN NO EVENT SHALL SELLER BE LIABLE FOR ANY INCIDENTAL OR CONSEQUENTIAL DAMAGES (INCLUDING BUT NOT LIMITED TO LIABILITY FOR LOSS OF PROFITS) ARISING FROM THE SALE OR USE OF THIS PRODUCT. SOME STATES IN THE U.S. AND SOME CANADIAN PROVINCES DO NOT ALLOW THE EXCLUSION OR LIMITATION OF INCIDENTAL OR CONSEQUENTIAL DAMAGES, SO THE ABOVE LIMITATION OR EXCLUSION MAY NOT APPLY TO YOU.

THIS LIMITED WARRANTY GIVES YOU SPECIFIC LEGAL RIGHTS, AND YOU MAY ALSO HAVE OTHER RIGHTS WHICH VARY FROM STATE TO STATE IN THE U.S., PROVINCE TO PROVINCE IN CANADA AND FROM COUNTRY TO COUNTRY.

THIS LIMITED WARRANTY APPLIES ONLY TO PORTABLE ELECTRIC TOOLS, BENCH POWER TOOLS, OUTDOOR POWER EQUIPMENT AND PNEUMATIC TOOLS SOLD WITHIN THE UNITED STATES OF AMERICA, CANADA AND THE COMMONWEALTH OF PUERTO RICO. FOR WARRANTY COVERAGE WITHIN OTHER COUNTRIES, CONTACT THE WEN CUSTOMER SUPPORT LINE.



THANKS FOR REMEMBERING