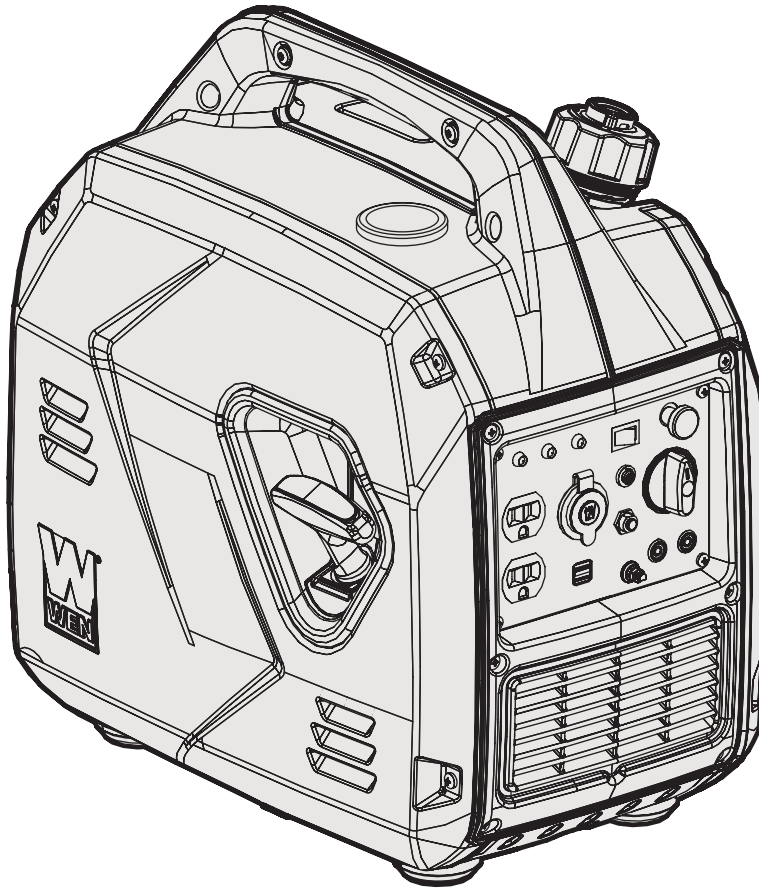




MODEL 56235i

2350W INVERTER GENERATOR

Instruction Manual



NEED HELP? CONTACT US!

Have product questions? Need technical support? Please feel free to contact us:



1-800-232-1195 (M-F 8AM-5PM CST)



TECHSUPPORT@WENPRODUCTS.COM

IMPORTANT: Your new tool has been engineered and manufactured to WEN's highest standards for dependability, ease of operation, and operator safety. When properly cared for, this product will supply you years of rugged, trouble-free performance. Pay close attention to the rules for safe operation, warnings, and cautions. If you use your tool properly and for its intended purpose, you will enjoy years of safe, reliable service.

For replacement parts and the most up-to-date instruction manuals, visit ***WENPRODUCTS.COM***

CONTENTS

WELCOME	3
Specifications.....	3
Introduction	4
SAFETY	5
Safety Information	5
Generator Safety Warnings	6
BEFORE OPERATING	9
Unpacking & Packing List.....	9
Know Your Inverter Generator.....	10
Preparation	12
OPERATION & MAINTENANCE	13
Starting Your Generator	15
Using Your Generator.....	18
Stopping Your Generator	22
Maintenance.....	23
Transportation & Storage.....	28
Troubleshooting Guide.....	29
Wire Diagram.....	30
Exploded View & Parts List.....	31
Warranty Statement	37

To purchase accessories for your tool, visit ***WENPRODUCTS.COM***

Magnetic Oil Dipstick (Model No. 55201)
WEN Parallel Connection Kit

Weatherproof Generator Cover (Model No. 56200iC)
High-Altitude Kit (Part No. 56235i-HA36B & 56235i-HA69B)

SPECIFICATIONS

GENERATOR

Model Number	56235i
Surge (Starting) Wattage	2350 Watts
Rated (Running) Wattage	1900 Watts
Rated Voltage	AC: 120V, DC: 12V (Cigarette Plug), 5V
Rated Amperage	AC: 15.8A, DC: 8.3A (Cigarette Plug), 2.1A/1A (USB)
Phase	Single
Frequency	60Hz
Product Weight	39 lbs
Product Dimensions	17.3" x 11.5" x 17.7"

ENGINE

Engine Type	4 stroke, OHV, single cylinder with forced air cooling system
Engine Displacement	79cc
Engine Speed	5100 RPM
Fuel Tank Capacity	1.06 Gallons (4 L)
Oil Capacity	15 fl. oz. (0.44 L)
Half-Load Run Time	5.7 Hours
Lubrication System	Splash Lubrication
Spark Plug Type	Torch E5T (NGK BPR5HS)
Spark Plug Gap	0.6 mm - 0.8 mm (0.02 in. - 0.03 in.)
Spark Plug Torque	11.1 - 14.7 ft-lbs (15 - 20 Nm)

INTRODUCTION

Thanks for purchasing the WEN 2350-Watt Inverter Generator. Refer to the illustration below for the location of the serial number on the specifications label. Record the generator information in the spaces provided below. If assistance for information or service is required, please contact customer service by calling **1-800-232-1195**, M-F 8-5 CST; you will be asked to provide the following generator information when calling.

Generator Model Number: 56235i

Date of Purchase: _____

Purchased From: _____

Serial Number: _____



MODEL 56235i

Serial Number

2350 WATT INVERTER GENERATOR

RATED WATTAGE	1900W	VOLTAGE	AC: 120V DC: 12V, 5V
SURGE WATTAGE	2350W	AMPERAGE	AC: 15.8A DC: 8.3A 2.1A/1A USB
RATED FREQUENCY	60 Hz	SERIAL NO.	●
FUEL CAPACITY	1.06 gal.	ENGINE SERIAL NO.	
OIL CAPACITY	15 fl. oz.	<p>1-800-232-1195 WENPRODUCTS.COM</p> <p style="font-size: 8px;">Great Lakes Technologies LLC • 1101 Wesemann Drive • West Dundee, IL 60118</p>	
PRODUCT WEIGHT	39 lbs.		

MADE IN CHINA
Type 3

SERVICE RECORD

Record the service dates of your generator in the chart below. Please perform maintenance checks and operations according to the “Maintenance” section of the manual.

Service Record	Date	Date	Date	Date	Date	Date
Change Oil						
Change Spark Plug						
Clean Fuel Tank						
Clean Air Cleaner						
Clean Spark Arrestor						

TO MAXIMIZE THE LIFESPAN OF YOUR GENERATOR: We recommend running your generator at least once a month for 20 to 30 minutes. Start the generator according to the instructions and plug a small load in to make sure the outlet is producing electricity.

SAFETY INFORMATION

⚠ WARNING! Before operating the generator, make sure to read all safety warnings and all instructions. Failure to follow the warnings and instructions may result in electric shock, fire or serious injury.

SAFETY INTRODUCTION

Safety is a combination of common sense, staying alert, and knowing how your tool works. This manual contains important information regarding the generator's potential safety concerns, as well as preparation, operation, and maintenance instructions. Before operating this generator, be sure to read and observe all warnings and instructions both on the generator labels and in this instruction manual. Failure to follow all instructions listed below may result in personal injury.

NOTE: The following safety information is not meant to cover all possible conditions and situations that may occur. WEN reserves the right to change this product and specifications at any time without prior notice.

At WEN, we are continuously improving our products. If you find that your tool does not exactly match this manual, please visit wenproducts.com for the most up-to-date manual or contact customer service at **1-800-232-1195**, M-F 8-5 CST.

Keep this manual available to all users during the entire life of the tool and review it frequently to maximize safety for both yourself and others.

SAVE THESE SAFETY INSTRUCTIONS.

SAFETY SYMBOLS

The purpose of following safety symbols is to attract your attention to possible dangers. The safety symbols, and their explanations, deserve your careful attention and understanding. The safety warnings do not by themselves eliminate any danger. The instructions or warnings they give are not substitutes for proper accident prevention measures.

⚠ DANGER: indicates a hazard, which, if not avoided, will result in death or serious injury.

⚠ WARNING: indicates a hazard, which, if not avoided, could result in death or serious injury.

⚠ CAUTION: indicates a hazard, which, if not avoided, might result in minor or moderate injury.

CAUTION! when used without the alert symbol, indicates a situation that could result in damage to the machine.

NOTICE REGARDING EMISSIONS

Engines that are certified to comply with U.S. EPA emission regulations for SORE (Small Off Road Equipment), are certified to operate on regular unleaded gasoline, and may include the following emission control systems: (EM) Engine Modifications and (TWC) Three-Way Catalyst (if so equipped).

QUESTIONS? PROBLEMS?

In order to answer questions and solve problems in the most efficient and speedy manner, contact customer service at **1-800-232-1195**, M-F 8-5 CST or email techsupport@wenproducts.com.

GENERATOR SAFETY WARNINGS


DANGER! CARBON MONOXIDE

Using a generator indoors **CAN KILL YOU IN MINUTES**. Generator exhaust contains carbon monoxide (CO). This is a poison gas you cannot see or smell. If you can smell the generator exhaust, you are breathing CO. But even if you cannot smell the exhaust, you could be breathing CO.




NEVER use a generator inside homes, garages, crawl spaces, or other partially enclosed areas. Deadly levels of carbon monoxide can build up in these areas. Using a fan or opening windows and doors does **NOT** supply enough fresh air. **ONLY** use a generator outside and far away from windows, doors, and vents. These openings can pull in generator exhaust.

Even if you use a generator correctly, CO may leak into the home. **ALWAYS** use a battery-powered or battery-backup CO alarm in the home. If you start to feel sick, dizzy, or weak after the generator has been running, move to fresh air **RIGHT AWAY**. See a doctor. You may have carbon monoxide poisoning.


 **WARNING! RISK OF EXPLOSION. HIGHLY FLAMMABLE:** This generator may emit highly flammable and explosive gasoline vapors, which can cause severe burns or even death, if ignited. A nearby open flame can lead to explosion even if not directly in contact with gasoline.

- Do not operate near open flame, heat, or any other ignition source. Do not smoke near the generator.
- Always operate on a firm, level surface.
- Always turn generator off before refueling. Allow generator to cool for at least 2 minutes before removing fuel cap. Loosen cap slowly to relieve pressure in tank.
- Do not overfill fuel tank. Gasoline may expand during operation. Do not fill to the top of the tank. Allow for expansion. Always check for spilled fuel before operating.
- If fuel spills, move the generator at least 30 feet away from the spill and wipe clean any spilled fuel before starting the engine.
- Empty fuel tank before storing or transporting the generator.

 **WARNING!** If this generator is used as a supply for a building's wiring system, the generator must be installed by a qualified electrician and connected to a transfer switch as a separately derived system in accordance with all applicable laws and electrical codes and the National Electrical Code, NFPA 70. The generator shall be connected to a transfer switch that switches all conductors excluding the equipment grounding conductor. The frame of the generator shall be connected to an approved grounding electrode.

 **CALIFORNIA PROPOSITION 65 WARNING:** This product can expose you to chemicals including carbon monoxide and engine exhaust, which are known to the State of California to cause cancer and birth defects or other reproductive harm. For more information, go to www.P65Warnings.ca.gov.

GENERATOR SAFETY WARNINGS

 **WARNING!** Do not let comfort or familiarity with the product replace strict adherence to product safety rules. Failure to follow the safety instructions may result in serious personal injury.

OPERATING ENVIRONMENT

1. Using a generator indoors can kill you in minutes.

Only use a generator outside and far away from windows, doors and vents.

2. Do not smoke near the generator.

3. Do not operate near open flame, heat, or flammable materials. This generator may emit highly flammable and explosive gasoline vapors, which can cause severe burns or even death if ignited. A nearby open flame can lead to an explosion even if it isn't directly in contact with gasoline.

4. Do not expose the generator to rainy or wet conditions; doing so significantly increases the risk of electrical shock. Never handle the generator, electronic devices, or any cord while standing in water, while barefoot, or when hands or feet are wet.

5. Always operate the generator on a dry, firm, level surface.

6. The generator should have at least 5 feet of clearance from buildings or other equipment during operation.

7. Do not allow children or non-qualified persons to operate the generator.

GENERATOR PREPARATION

1. Always ground the generator before using it to maximize safety (see "Ground the Generator" section).

2. Do not overfill fuel tank, as gasoline may expand during operation. Do not fill to the very top of the tank. Leave room for gasoline expansion. Always check for spilled fuel before operating.

3. If any part of the generator, electrical device or power cord is broken, damaged, or defective, make sure it is repaired or replaced before operation. Service should only be performed by a qualified technician. Do not use receptacles or cords that show signs of damage, such as broken or cracked insulation.

4. Use a ground fault circuit interrupter (GFCI) in highly conductive areas such as metal decking or steel work. Extension cords with in-line GFCIs are recommended for these operations to maximize safety.

5. If connecting the generator to a building's electrical system for standby power, you MUST consult a qualified electrician and install a transfer switch. Such connections must comply with local electrical laws and codes. Failure to comply can create a back-feed, which may result in serious injury or death to utility workers.

6. Never modify the generator in any way. Modifying or using the machine for any other purpose for which it is not designed may result in serious injuries, machine damage and voiding of the warranty.

GENERATOR OPERATION


1. Only use the generator for its intended purposes. Modifying or using the generator for operations for which it was not designed may cause hazards and personal injury.

2. Do not touch bare wires or receptacles (outlets).

3. Do not exceed the wattage capacity of the generator by plugging in more electrical devices than the unit can handle. This could damage the generator and/or connected electrical devices. Check the operating voltage and frequency requirements of all electrical devices prior to plugging them into the generator.

Generator safety warnings continue on the next page.

GENERATOR SAFETY WARNINGS

 **WARNING!** Do not let comfort or familiarity with the product replace strict adherence to product safety rules. Failure to follow the safety instructions may result in serious personal injury.

TO MAXIMIZE THE LIFESPAN OF YOUR GENERATOR: We recommend running your generator at least once a month for 20 to 30 minutes. Start the generator according to the instructions and plug a small load in to make sure the outlet is producing electricity. If you do not run it often, it will greatly shorten the generator's lifespan and void the warranty.

4. **Allow generator to run for several minutes before connecting electrical devices.** Do not start or stop engine with electrical devices plugged in to the receptacles. Failure to do so could damage the generator and/or connected electrical devices.
5. **Do not turn on electrical devices until after they are connected to the generator.**
6. **Generators vibrate in normal use.** During and after the use of the generator, inspect both the generator as well as extension and power supply cords for damage resulting from vibration.
7. **Do not touch hot parts.** This generator produces heat when running. Temperatures near exhaust can exceed 150°F (65°C). Allow generator to cool down after use before touching engine or areas of the generator that become hot during use.
8. **Turn off all connected electrical devices before stopping the generator.**
9. **Always turn generator off before refueling.** Allow generator to cool for at least 2 minutes before removing fuel cap. Loosen cap slowly to relieve pressure in tank.
10. **Turn the engine switch to “OFF” position when the engine is not running.**
11. **Empty fuel tank before storing or transporting the generator.** Do not store generator or gasoline near furnaces, water heaters, or any other appliances that produce heat or have automatic ignitions. Store the generator and fuel away from sparks, open flames, pilot lights, heat and other sources of ignition.
12. **Always wash hands after handling generator.**

CAUTION: Misuse of this generator can damage it or shorten its lifespan.

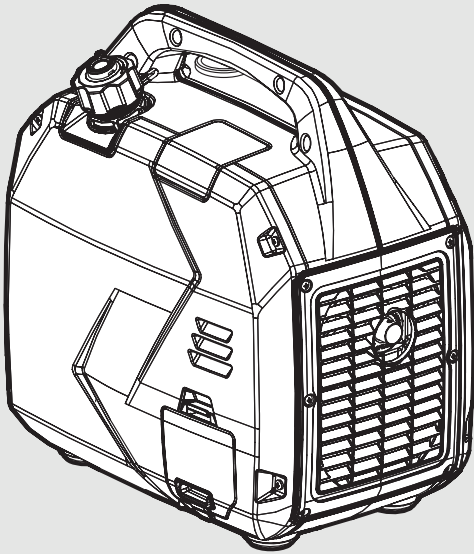
UNPACKING & PACKING LIST

UNPACKING

With the help of a friend or trustworthy foe, such as one of your in-laws, carefully remove the generator from the packaging and place it on a sturdy, flat surface. Make sure to take out all contents and accessories. Do not discard the packaging until everything is removed. Check the packing list below to make sure you have all of the parts and accessories. If any part is missing or broken, please contact customer service at **1-800-232-1195** (M-F 8-5 CST), or email techsupport@wenproducts.com.

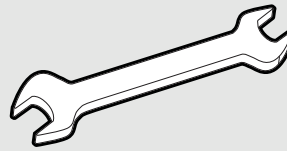
PACKING LIST

Components

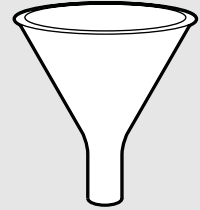


Generator

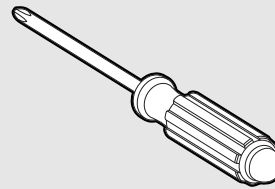
Tools & Accessories



8/10mm Wrench



Funnel



Screwdriver



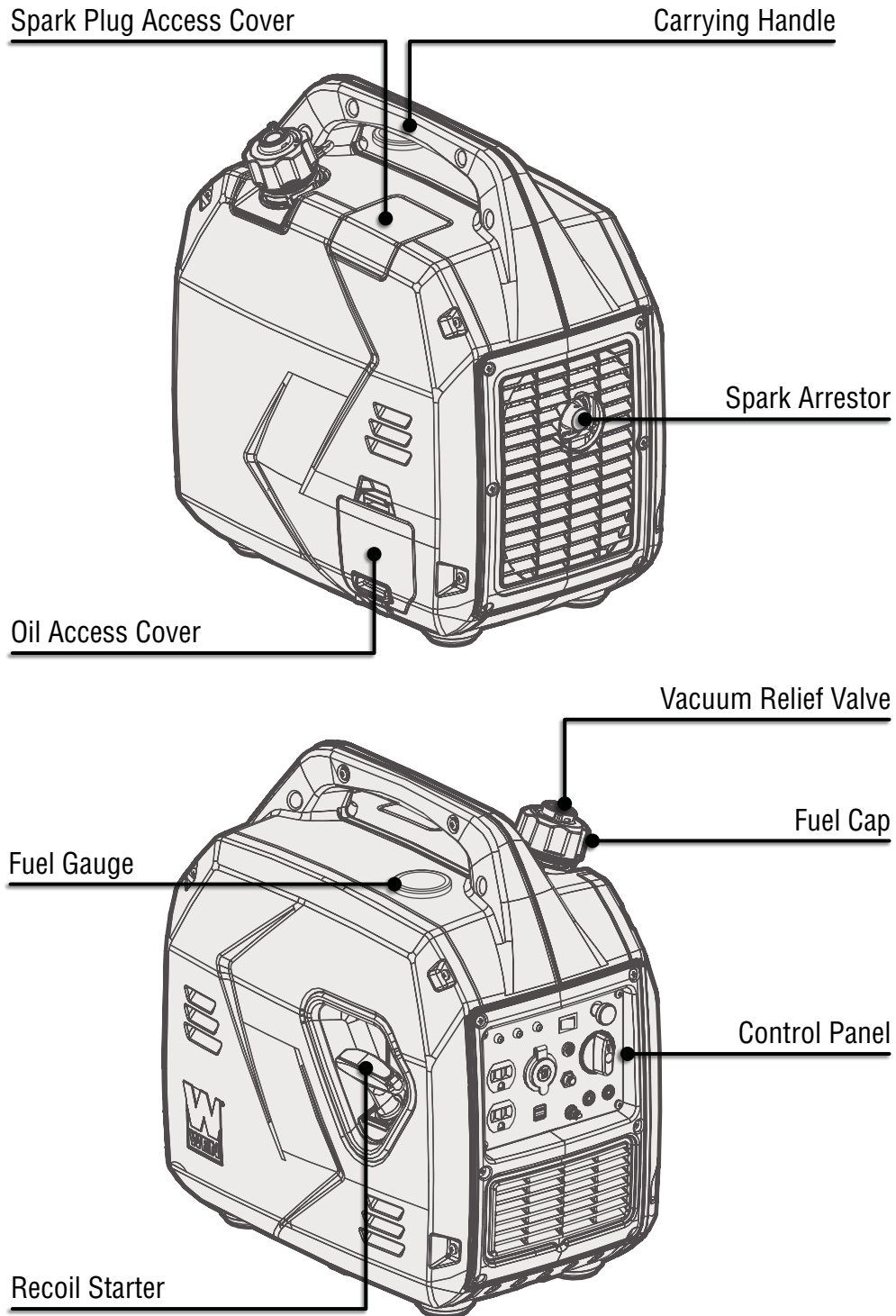
Spark Plug Socket

KNOW YOUR INVERTER GENERATOR

TOOL PURPOSE

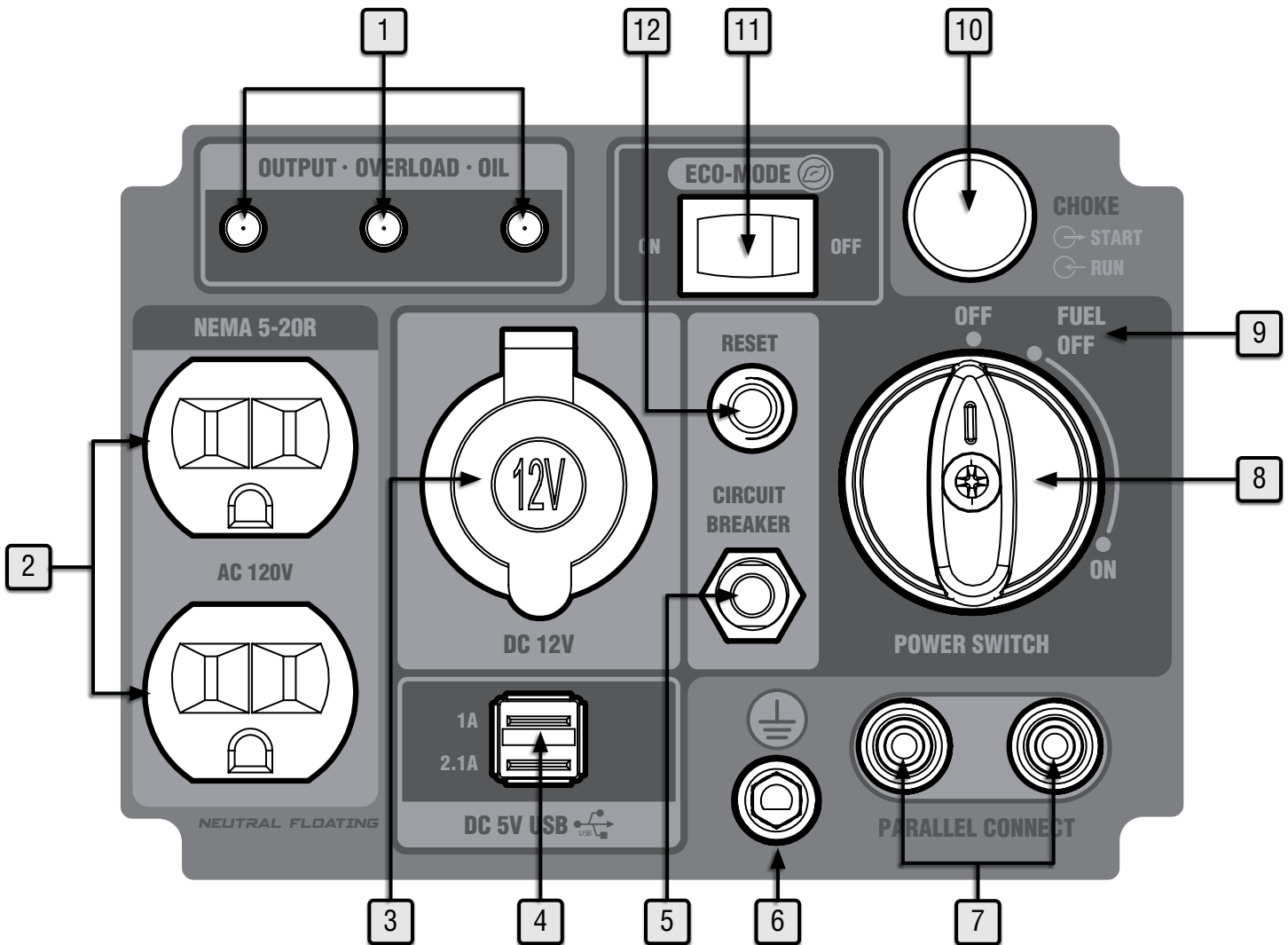
Inverter Generators provide you with clean and quiet power, when and where you need it most. Refer to the following diagrams to become familiarized with all the parts and controls of your Generator. The components will be referred to later in the manual for assembly and operation instructions.

GENERATOR



KNOW YOUR INVERTER GENERATOR

CONTROL PANEL



1. Indicator Lights

Output, Overload, & Low Oil

2. AC 120V NEMA 5-20R Duplex Receptacles

Standard household outlets provide 120V 60Hz power.

3. 12V DC Outlet

Cigarette-style outlet provides DC power.

4. 5V USB Port

1A & 2.1A for charging various electronic devices.

5. Circuit Breaker

Press to reset.

6. Grounding Nut

Ground the generator to reduce the risk of electric shock. Refer to "Ground the Generator" section on page 14.

7. Parallel Connection

Connect to share wattage between inverter generators.

8. On / Off Switch

Used to turn on or shut down the generator.

9. Fuel Off

Turn the ON / OFF Switch to this position to burn off the fuel in the carburetor. See p. 22.

10. Choke Lever

Used to start the engine.

11. Eco-Mode Switch

Maximizes fuel economy & run time.

12. Reset Button

Press to reset the circuit incase of overload.

PREPARATION

The following section describes the necessary steps to prepare the generator for use. If you are unsure about how to perform any of the steps please call **1-(800) 232-1195** M-F 8-5 CST for customer service. Failure to perform these steps properly can damage the generator or shorten its life.

STEP 1 - ADD / CHECK OIL

The generator is shipped without oil. User must add the proper amount of oil before operating the generator for the first time. The oil capacity of the engine crankcase is **15 fl. oz (0.44 L)**.

ENGINE OIL RECOMMENDATIONS

Select good quality detergent oil bearing the American Petroleum Institute (API) service classifications SJ, SL, or SM (synthetic oils may be used). Select the SAE viscosity grade of oil that matches the expected operating temperature.

- **30W Engine Oil**
Temperatures above 40°F
- **10W-30 Engine Oil**
Temperatures between 0°F - 40°F
- **Synthetic 5W-30 Engine Oil**
All temperature ranges

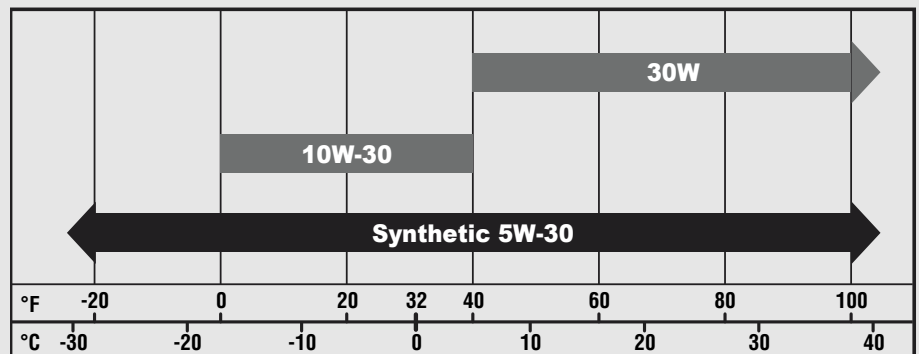


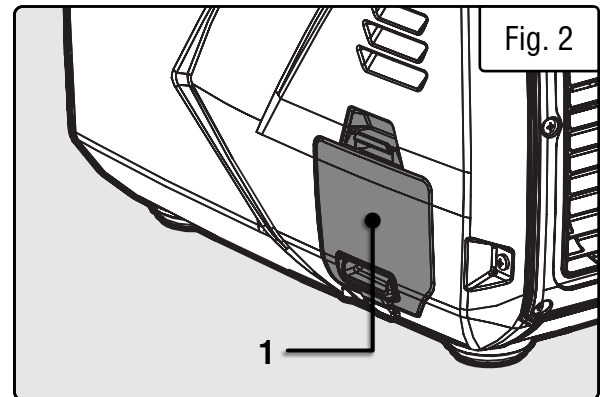
Fig. 1

TO ADD OIL:

1. Place the generator on a level surface. Make sure the engine is OFF before adding or checking oil.

CAUTION! Keep the generator level. Tilting the generator to assist in filling will cause oil to flow into the wrong areas of the engine and cause damage.

1. Open the oil access cover (Fig. 2 - 1), remove and wipe the oil dipstick with a clean rag. Insert the dipstick into the oil fill opening without screwing it in.
2. Remove the dipstick to check the oil mark on the dipstick (Fig. 3).
3. Add oil if the oil mark covers less than one half of the dipstick.
3. Slowly add oil and repeat step 2 until the oil mark measures between the upper limit mark and halfway mark of the dipstick. Do not overfill the crankcase.
4. Wipe clean any oil leaks and firmly tighten the dipstick.

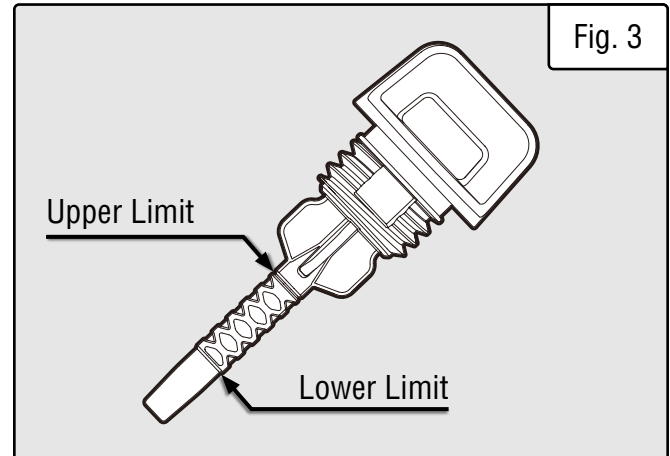


CAUTION! For subsequent operation, the oil level should be checked before each use, or after every 8 hours of operation. The generator is equipped with a low-oil sensor and will not start without a sufficient amount of oil. Follow the instructions on the next page to check the oil level.

PREPARATION

TO CHECK OIL LEVEL (before every subsequent start):

1. Place the generator on a level surface. Make sure the engine is OFF before adding or checking oil.
2. Remove and wipe the dipstick with a clean rag.
3. Insert the dipstick into the oil fill without screwing it in. Remove the dipstick to check the oil mark.
4. If the oil mark covers **less than one half** of the dipstick, slowly **add oil** until the oil mark measures between the upper limit mark and halfway mark of the dipstick. See Fig. 3.



TIP: Your WEN generator is compatible with the **WEN 55201** Magnetic Oil Dipstick (not included), available for purchase at **wenproducts.com**. The dipstick's industrial-strength magnetic tip will collect metal shavings from your generator's oil tank to help preserve the engine and extend your generator's lifespan.

STEP 2 - ADD / CHECK FUEL

⚠ WARNING! RISK OF EXPLOSION. HIGHLY FLAMMABLE: This generator may emit highly flammable and explosive gasoline vapors, which can cause severe burns or even death, if ignited. A nearby open flame can lead to explosion even if not directly in contact with gasoline.

- Do not operate near open flame, heat, or any other ignition source. Do not smoke near the generator.
- Always operate on a firm, level surface.
- Always turn generator off before refueling. Allow generator to cool for at least 2 minutes before removing fuel cap. Loosen cap slowly to relieve pressure in tank.
- Do not overfill fuel tank. Gasoline may expand during operation. Do not fill to the top of the tank. Allow for expansion. Always check for spilled fuel before operating.
- If fuel spills, move the generator at least 30 feet away from the spill and wipe clean any spilled fuel before starting the engine.
- Empty fuel tank before storing or transporting the generator.

ONLY use fresh (within 30 days from purchase), lead-free gasoline with a **minimum of 87 octane rating**. The generator performs best with ethanol-free gasoline. **DO NOT** use gasoline with over 10% ethanol.

The capacity of the fuel tank is **1.06 gallons**. Do not mix oil with gasoline.

Follow the instructions on the next page to add gasoline.

IMPORTANT:

- Avoid getting dirt or water into the fuel tank.
- Keep gasoline away from sparks, open flames, pilot lights, heat, and other sources of ignition.
- Gasoline can age in the tank and make starting difficult. Never store the generator for more than 2 months with fuel in the tank.
- Never use an oil/gasoline mixture.
- Never use old gasoline.

PREPARATION

TO ADD GASOLINE:

Use fresh (within 30 days from purchase), lead-free gasoline with a minimum of 87 octane rating. The generator performs best with ethanol-free gasoline. **DO NOT** use gasoline with over 10% ethanol. The capacity of the fuel tank is 1.06 gallon. Do not mix oil with gasoline.

1. Place the generator on a level surface. Make sure the engine is OFF before adding or checking the fuel.
2. Unscrew the fuel cap (Fig. 4 - 1) and set it aside. The fuel cap may be tight and hard to unscrew.
3. Slowly add unleaded gasoline to the fuel tank. Be careful not to overfill. Reinstall fuel cap and wipe clean any spilled gasoline with a dry cloth.

NOTE: Do not fill the fuel tank to the very top. If you do so, gasoline will expand and spill during use, even with the fuel cap in place.

4. Reinstall fuel cap and wipe clean any spilled gasoline with a dry cloth.

STEP 3 - GROUND THE GENERATOR

To reduce the risk of electric shock and to maximize safety, the generator should be properly grounded.

1. Attach one end of the grounding wire to the grounding nut (Fig. 5 - 1). Tighten the nut to secure the grounding wire.
2. Connect the other end of the grounding wire to a copper, brass, or steel-grounding rod that is driven into the earth.

HIGH ALTITUDE OPERATION ABOVE 2000 FEET

The fuel system on this generator may be affected by operation at high altitudes. Proper operation can be ensured by installing an altitude kit at altitudes higher than 2000 feet above sea level. At elevations above 7000 feet, the engine may experience a decrease in performance, even with the proper altitude kit. Operating this generator without said kit may increase the engine's emissions and decrease both fuel economy and performance.

This kit should be installed by a qualified mechanic. You can order the kit at wenproducts.com by searching part number **56235i-HA36B** or **56235i-HA69B**. Refer to the instructions included with your altitude kit for more information about installation.

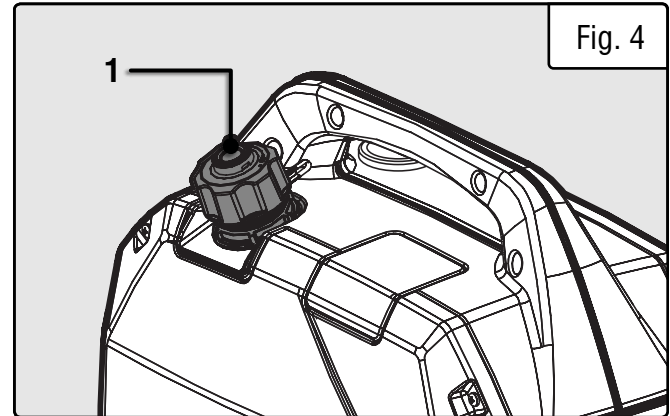


Fig. 4

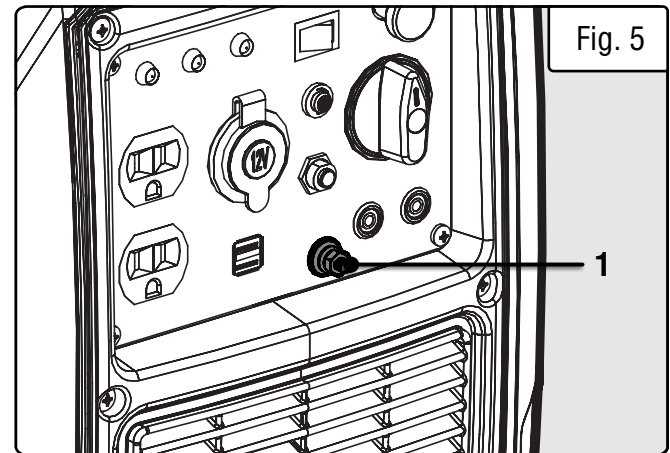


Fig. 5

⚠ WARNING! Failure to properly ground the generator increases your risk of electric shock.

NOTE: Grounding wire and grounding rods are not included with the generator. A generally acceptable grounding wire is a **No. 12 AWG (American Wire Gauge) stranded copper wire**. Grounding codes can vary by location. Contact a local electrician to check the area codes.

⚠ WARNING! To prevent serious injury from fire, follow the kit installation procedures in a well-ventilated area away from ignition sources. If the engine is hot from use, shut the engine off and wait for it to cool before proceeding. Do not smoke near the generator. Warranty will be void if adjustments are not made for high altitude use.

CAUTION! UNINSTALL the high altitude kit when operating at altitudes below 2000 feet.

STARTING YOUR GENERATOR

Before starting the generator, make sure you have read and performed the steps in the “Preparation” section of this manual, pages 12-14. If you are unsure about how to perform any of the steps in this manual please call **1-(800) 232-1195** M-F 8-5 CST for customer service.


DANGER! CARBON MONOXIDE

Using a generator indoors **CAN KILL YOU IN MINUTES**. Generator exhaust contains carbon monoxide (CO). This is a poison gas you cannot see or smell. If you can smell the generator exhaust, you are breathing CO. But even if you cannot smell the exhaust, you could be breathing CO.


NEVER use a generator inside homes, garages, crawl spaces, or other partially enclosed areas. Deadly levels of carbon monoxide can build up in these areas. Using a fan or opening windows and doors does NOT supply enough fresh air. **ONLY** use a generator outside and far away from windows, doors, and vents. These openings can pull in generator exhaust.


Even if you use a generator correctly, CO may leak into the home. **ALWAYS** use a battery-powered or battery-backup CO alarm in the home. If you start to feel sick, dizzy, or weak after the generator has been running, move to fresh air **RIGHT AWAY**. See a doctor. You may have carbon monoxide poisoning.

 **WARNING!** The exhaust from this product contains chemicals known to the State of California to cause cancer, birth defects, or other reproductive harm.

 **WARNING!** Do not operate generator near open flame or flammable materials. This generator may emit highly flammable and explosive gasoline vapors, which can cause severe burns or even death if ignited. A nearby open flame can lead to explosion even if it isn't directly in contact with gasoline. Do not smoke near the generator.

 **WARNING!** This generator produces powerful voltage, which can result in electrocution.

 **WARNING!** Do not use in rainy or wet conditions. Do not touch bare wires or receptacles (outlets). Do not allow children or non-qualified persons to operate.

 **WARNING!** Generator should only be connected to electrical devices, either directly or with an extension cord. **NEVER** connect to a building electrical system without a qualified electrician and connected to a transfer switch as a separately derived system. Such connections must comply with local electrical laws and codes. Failure to comply can create a back-feed, which may result in serious injury or death to utility workers.

To maximize safety, **ALWAYS** ground the generator before using it. See page 14, “Ground the Generator”.

Use a ground fault circuit interrupter (GFCI) in highly conductive areas such as metal decking or steel work. GFCIs are available in-line with some extension cords.

CAUTION! Disconnect all electrical loads from the generator before attempting to start.

Follow the instructions on the next page to start your generator.

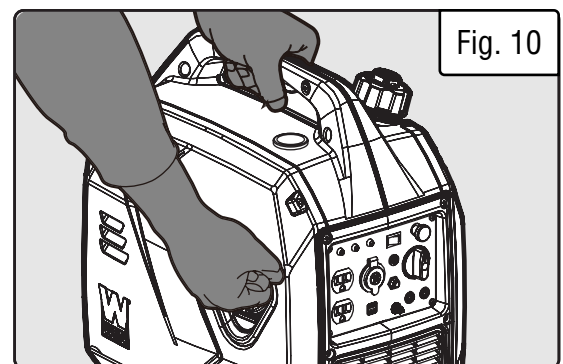
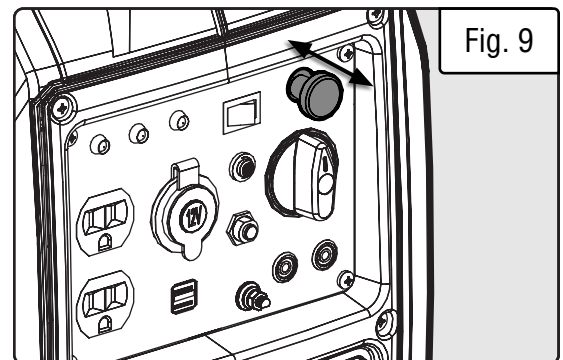
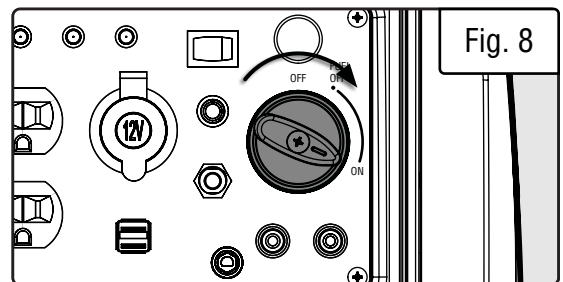
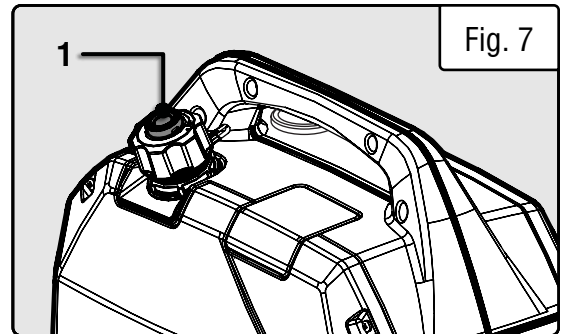
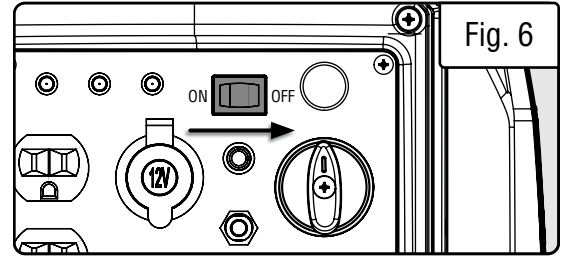
STARTING YOUR GENERATOR

BEFORE STARTING THE GENERATOR

1. Verify that the generator is outside on a dry, level surface. Allow at least two feet of clearance on all sides of the generator.
2. To maximize safety, check that the generator is properly grounded. See page 14, “Ground the Generator.”
3. Check that there is a sufficient level of oil in the crankcase. Add oil if necessary. Refer to page 12, “Step 1 - Add / Check Oil.”
4. Check that there is a sufficient level of fuel in the fuel tank. Add gas if necessary. Refer to page 13, “Step 2 - Add / Check Fuel.”
5. Make sure all electrical devices are unplugged from the generator during ignition. Otherwise it will be difficult for the engine to start.

STARTING THE GENERATOR

1. Place the generator outside on a dry, level surface. Allow at least two feet of clearance on all sides of the generator.
2. Check there is sufficient level of oil in the crankcase. Add oil if necessary (refer to “Add / Check Oil” on page 12).
3. Check there is sufficient level of gasoline in the fuel tank. Add fuel if necessary (refer to “Add Gasoline” on page 13).
4. To maximize safety, make sure the generator is properly grounded (refer to “Ground the Generator” on page 14).
5. Make sure all electrical devices are unplugged from the generator during ignition. Otherwise it will be difficult for the engine to start.
6. Turn the ECO-MODE switch to “OFF” during starting (Fig. 6).
7. Open the vacuum relief valve on top of fuel cap (Fig. 7 - 1) by rotating it clockwise to the “ON” position. This will allow fuel to flow.
8. Turn the engine switch to the ON position (Fig. 8).
9. If the engine is cold, pull out the choke lever to CLOSE the choke valve. If the engine is warm, push the choke lever in to OPEN the choke valve (Fig. 9).
10. Pull on the recoil starter handle (Fig. 10) slowly until a slight resistance is felt, then pull quickly to start the engine. Return cord gently into the recoil starter. Never allow the cord to snap back.



STARTING YOUR GENERATOR

STARTING THE GENERATOR (CONTINUED)

11. Repeat step 10 until the engine starts. Note that the engine start time cannot exceed 15 minutes. If the engine fails to start, allow it to cool down for one minute before restarting, otherwise it may cause machine damage.

NOTE: After repeated failed attempts to start the engine, please consult the troubleshooting guide before attempting again. If problems persist please call **1-(800) 232-1195** M-F 8-5 CST.

12. After the engine has started, the output indication light (green) on the control panel will light up.

13. Slowly push in the choke lever to open the choke valve (Fig. 11).

NOTE: If the engine shakes or runs unstably, pull the choke lever halfway to the HALF open position, and then push it in to the FULL open position after the engine is running stably.

14. Allow the engine to run for several minutes before attempting to connect any electrical devices. This allows the generator to stabilize its speed and temperature.

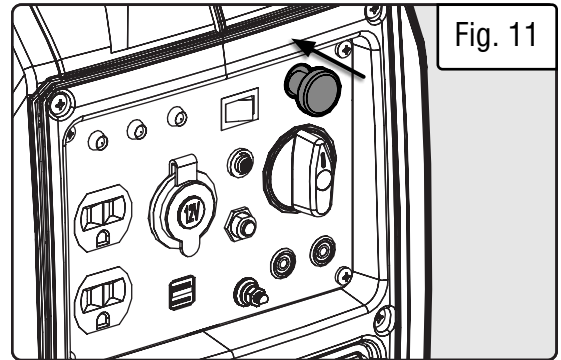


Fig. 11

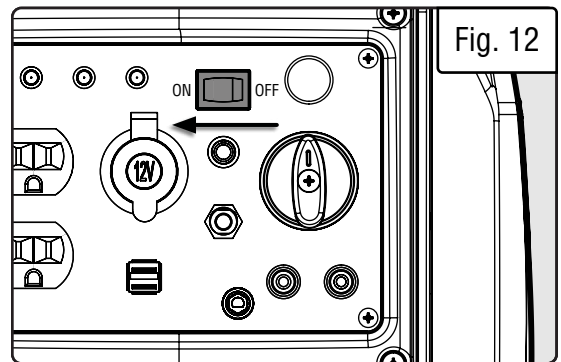


Fig. 12

ECO-MODE SWITCH

This generator is equipped with an Eco-Mode Idle Control Switch (Fig. 12). Engaging the switch automatically adjusts the engine to match the load. When the electrical load changes, the generator engine will automatically speed up and slow down as needed. This reduces fuel consumption and noise levels.

Keep this switch engaged when the power load requirement is less than 1000W. Do not engage the Eco-Mode Switch when the total load is more than 1000W. The generator engine must run at full speed to supply power for anything over 1000W.

OIL LEVEL SHUTDOWN

The low oil indication light (yellow) will turn on to remind you that the engine oil level is low and need to be refilled. The generator is equipped with a low oil pressure shutoff that will automatically stop the engine when the oil level is too low to protect the unit from damage. The oil level of the engine should be checked before each start to ensure that the engine crankcase contains sufficient lubricant.

PARALLEL OPERATION

The parallel connection feature (Fig. 13 - 1) allows you to connect two WEN generators to increase the total available electrical power. The "Parallel Connection Kit" can be purchased from wenproducts.com.

Follow the instructions included with your WEN parallel connection kit for proper installation and operation.

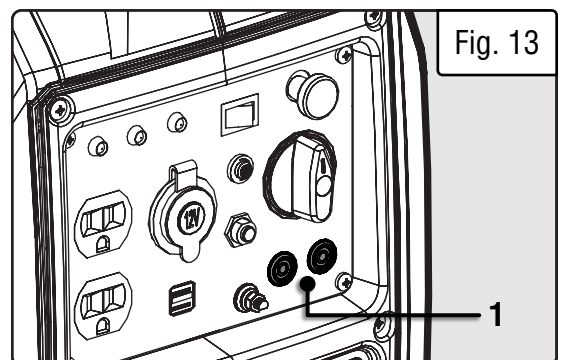


Fig. 13

USING YOUR GENERATOR

CALCULATING THE WATTAGE OF YOUR DEVICE(S)

Connect electrical devices running on AC current according to their wattage requirements. Calculate the total running wattage and starting wattage of the device(s) you wish to connect, and **MAKE SURE** that they are within the capacity of your generator and the capacity of each individual outlet.

	GENERATOR RUNNING (RATED) WATTS	GENERATOR STARTING (SURGE) WATTS
	Generator Wattage Capacity	1900W
<p>What this means: The generator can produce a maximum of 1900W on a continuous basis to supply on-going power to your electronic devices.</p> <p>NOTE: Also check the rated amperage for each outlet and make sure not to overload the individual outlets.</p>		<p>What this means: Some devices such as box fans require short bursts of extra power in addition to the rated wattage listed by the device to start their motors.</p> <p>The generator can produce a maximum wattage of 2350W for a short period of time (seconds) to cover the extra starting power required by your electronic devices.</p>
Electronic Device Wattage Calculation	<p>Find the wattage information of each device you plan to connect. The information should be listed on the device or in its instruction manual, or you may refer to page 19, Table 2.</p> <p style="text-align: center;">The wattage can be calculated using this equation: Watts = Volts x Amperes</p>	
	<p>To calculate the total running watts of your devices:</p> <p>+ Add up the running wattages of all the device(s) you plan to connect.</p> <p>= The total running (rated) wattage.</p> <p>This wattage should NOT exceed the running wattage of 1900W.</p> <p>It is recommended to maintain a load at or below 1710W (90% of the rated output) to ensure steady voltage output and to prolong the generator's lifespan.</p>	<p>To calculate the total starting watts of your devices:</p> <p>+ Add up the total running wattage of all the device(s) you plan to connect.</p> <p>+ Add the single highest ADDITIONAL starting wattage out of the device(s) you plan to connect.</p> <p>= The total starting (surge) wattage.</p> <p>This wattage should NOT exceed the starting wattage of 2350W.</p>
	<p>If any of either of the total calculated running watts or starting watts is higher than the capacity of your generator, adjust the load until both wattage requirements are met. Otherwise you will overload the generator, and cause damage to the engine and your electrical device(s).</p>	

Table 1 - How to Calculate Wattages

USING YOUR GENERATOR

CALCULATING THE WATTAGE OF YOUR DEVICE(S) - CONTINUED

The chart below serves as a reference for the estimated wattage requirements of common electrical devices. However, do not solely rely on this chart - all electronics and appliances are built differently. Always check the wattage listed on the electrical device before consulting this chart.

Tool or Appliance	Rated (Running) Watts	Surge (Starting) Watts
Electric Water Heater (40 Gal)	4000	0
Hot Plate	2500	0
Saw - Radial Arm	2000	2000
Electric Stove (Each Element)	1500-2800	0
Saw - Circular	1500	1500
Air Compressor (1 HP)	1500	3000
Window Air Conditioner	1200	1800
Saw - Miter	1200	1200
Microwave	1000	0
Well Water Pump	1000	1000
Sump Pump	800	1200
Refrigerator Freezer	800	1200
Furnace Blower	800	1300
Computer	800	0
Electric Drill	600	900
Television	500	0
Deep Freezer	500	500
Garage Door Opener	480	0
Stereo	400	0
Box Fan	300	600
Clock Radio	300	0
Security System	180	0
Dvd Player / VCR	100	0
Common Light Bulb	75	0

Table 2 - Estimated Wattages of Common Electrical Appliances

NOTE: Become familiar with the functions and capacity of each component on the control panel before connecting electrical devices. See page 11 for more information about the components of the control panel. Do not overload generator or individual panel receptacles. Do not connect 50Hz or 3-phase loads to the generator.

USING YOUR GENERATOR

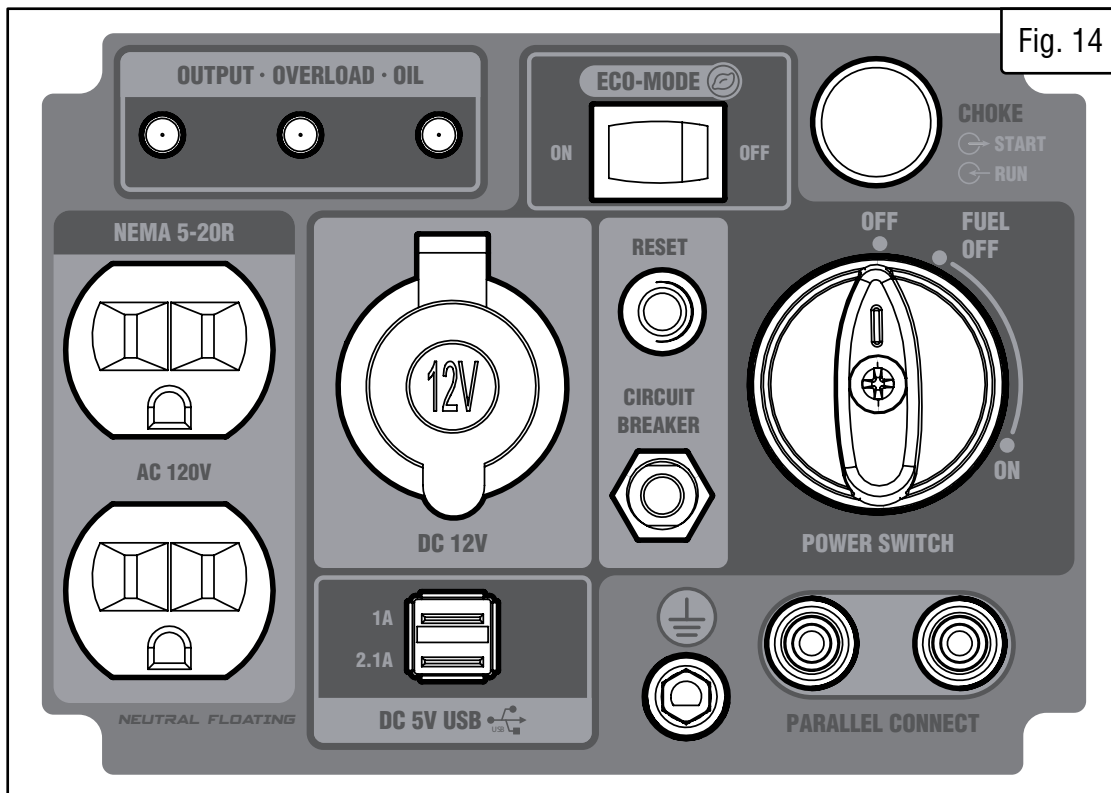
CONNECTING ELECTRICAL DEVICES

When the rated wattage requirement of each electrical device has been determined, add these numbers to find the total rated wattage needed. If this number exceeds the rated wattage (1900W) of the generator, DO NOT connect all these devices. Select a combination of electrical devices with a total rated wattage lower than or equal to the rated wattage of the generator.

⚠ CAUTION! Become familiar with the markings on the control panel (Fig. 14) before connecting electrical devices. Do not connect 50Hz loads to the generator.

1. Before connecting electrical devices, allow the generator to run for a few minutes to stabilize the speed and voltage output.
2. Make sure that all devices are turned off. Start plugging in each electric device, from the highest wattage to the lowest. Check the power indicator light (green) to ensure the generator is producing power.
3. Do not overload the generator or individual panel receptacles. If an overload occurs, the overload indication light (red) will activate. If it is flashing, turn off and unplug one load. If it is solid (not flashing), the generator will cut off power to protect itself. Unplug all electrical devices and then press the reset button to reset the entire circuit, or press the circuit breaker to reset the DC circuit. Check the total wattage of the devices and reduce the load if it exceeds the capacity of the generator. Then, plug the loads back in one by one.

NOTE: If the reset button or circuit breaker does not reset, wait several minutes and try again. If problem still persists, please call **1-(800) 232-1195** M-F 8-5 CST.



NOTE: The NEMA 5-20 receptacles are capable of connecting devices up to 20A only when two generators are parallel connected. When operating a single generator, do not exceed 15.8A (1900 running watts) on this receptacle.

USING YOUR GENERATOR

SOME NOTES ABOUT POWER CORDS

Long or thin cords can drain the power provided to an electrical device by the generator. When using such cords, allow for a slightly higher rated wattage requirement by the electrical device.

Device Requirements			Max. Cord Length (ft) by Wire Gauge				
Amps	Watts (120V)	Watts (240V)	#8 wire	#10 wire	#12 wire	#14 wire	#16 wire
2.5	300	600	NR	NR	NR	375	250
5	600	1200	NR	NR	300	200	125
7.5	900	1800	NR	350	200	125	100
10	1200	2400	NR	250	150	100	50
15	1800	3600	NR	150	100	65	NR
20	2400	4800	175	125	75	50	NR
25	3000	6000	150	100	60	NR	NR
30	3600	7200	125	65	NR	NR	NR
40	4800	9600	90	NR	NR	NR	NR

*NR = Not Recommended

Table 3 - Power Cord Requirement Guide

⚠ WARNING! Generator should **only** be connected to electrical devices, either directly or with an extension cord. NEVER CONNECT TO A BUILDING ELECTRICAL SYSTEM without a qualified electrician and connected to a transfer switch as a separately derived system. Such connections must comply with local electrical laws and codes. Failure to comply can create a back-feed, which may result in serious injury or death to utility workers.

NOTE: For power outages, permanently installed, stationary generators are better suited for providing backup power to your home. Even a properly connected portable generator can become overloaded. This may result in overheating or stressing the machine's components, possibly leading to generator failure.

STOPPING YOUR GENERATOR

SHUTTING OFF THE GENERATOR

1. Turn off all electrical devices and then unplug the devices from the generator.

⚠ CAUTION! Unplugging running devices can cause damage to the generator. Never stop the engine with electrical devices connected and running.

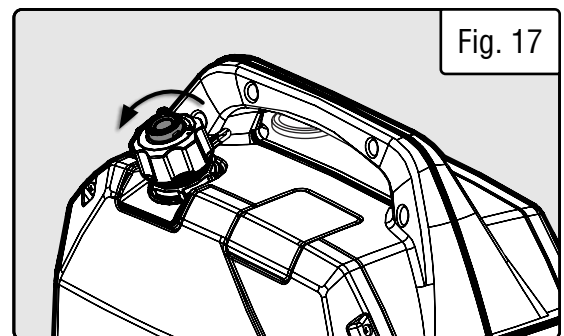
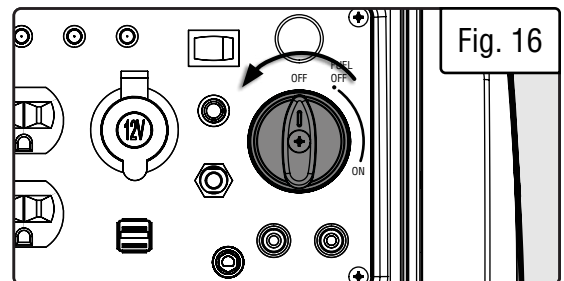
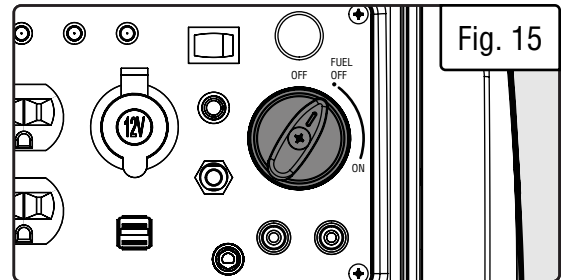
2. Allow generator to run at no load for a few minutes to stabilize internal temperatures.

3. Turn the engine switch to the FUEL OFF position (Fig. 15). This feature will burn off the remaining fuel in the carburetor, helping to combat fuel degradation and prolong engine life. You may also choose to shut off the engine quickly (e.g. for refueling, moving the generator, etc.) by turning the engine switch to the OFF position (Fig. 16), but this option will let fuel remain in the carburetor. Be sure to drain the carburetor (see page 26) after use to prolong engine life.

4. Close the vacuum relief valve (Fig. 17) on the top of the fuel cap by rotating it counterclockwise to the OFF position.

⚠ WARNING! Allow the generator to cool for several minutes before touching areas that become hot during use.

⚠ CAUTION! Allowing gasoline to sit in the fuel tank for long periods of time can make it difficult to start the generator in the future. Never store the generator for extended periods of time (over 2 months) with fuel in the fuel tank. Refer to “Storing the Generator” on page 28.



MAINTENANCE

Proper routine maintenance of the generator will help prolong the life of the machine. Please perform maintenance checks and operations according to the schedule in Table 4.

⚠ CAUTION! Never perform maintenance operations while the generator is running. Before maintaining or servicing the generator, turn OFF the generator, disconnect all devices and allow the generator to cool down.

If there are any questions about the maintenance procedures listed in this manual, please call **1-(800) 232-1195** M-F 8-5 CST or email techsupport@wenproducts.com.

Recommended Maintenance Schedule		Every 8 Hours or Daily	Every 25 Hours	Every 3 Months or 50 Hours	Every 6 Months or 100 Hours	Before Storage	As Necessary
Engine Oil	Check Level	x					
	Replace		x*				x
Air Filter	Check			x*			
	Clean			x*			
Spark Plug	Check/Clean/Regap				x		
	Change				x		x
Fuel	Check Level	x					
	Drain					x	x
Carburetor	Drain	x					x
Spark Arrestor	Check/Clean				x		

* Clean/change more often under dusty conditions or operating under heavy load.

Table 4 - Recommended Maintenance Schedule

IMPORTANT GENERATOR MAINTENANCE TIPS:

- Drain your carburetor after each use and before storage to prevent it from clogging.
- Do not store the generator with fuel inside the tank for more than 2 months - the fuel will go bad.
- Run the generator for at least 15 minutes every month to maximize its lifespan.

CLEANING THE GENERATOR

Keep the generator clean to prevent improper operation or machine damage from dirt and debris. Inspect all ventilation openings on the generator. These openings must be kept clean and unobstructed. If the generator becomes dirty, use a damp cloth to wipe exterior surfaces. Use a soft bristle brush to loosen dirt and oil and use a vacuum to pick up loose dirt. Use low pressure air (not to exceed 25 PSI) to blow away dirt.

⚠ CAUTION! Never clean the generator when it is running! Never clean with a bucket of water or a hose. Water can get inside the working parts of the generator and cause corrosion or a short circuit.

NOTE: Failure to properly maintain the generator will void the warranty.

MAINTENANCE

⚠ WARNING! Make sure generator is shut off before performing any inspection or maintenance procedures.

CHECKING / ADDING OIL

Check the oil level of the generator according to the Recommended Maintenance Schedule in Table 4. The oil level should be checked before each use or every 8 hours of operation. The oil capacity of the generator engine is 15 fl. oz. Add oil when the oil level is low.

For proper type and weight of oil refer to “Add / Check Oil” section on page 12. The generator is equipped with an automatic shutoff to protect it from running on low oil. To check the oil level:

1. Make sure the generator is on a level surface. Do not tilt the generator to assist in filling, as oil will flow into engine areas and cause damage. Keep generator level!
2. Open the oil access cover (Fig. 18 - 1). Remove the dipstick (Fig. 19) and wipe it with a clean rag.
3. Insert the dipstick into the oil fill opening without screwing in. Remove the dipstick to check the oil mark. Add oil if the oil mark covers less than one half of the dipstick.
4. Using a funnel or appropriate dispenser, slowly add more oil. Repeat step 3 until the oil mark measures between the upper limit and half-way mark of the dipstick. Do not over fill the crankcase.
5. Reinstall dipstick and wipe clean any spill oil with a rag.

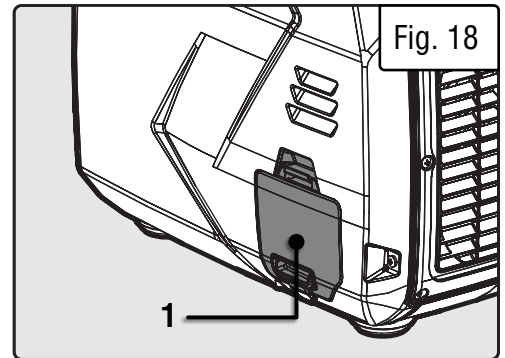


Fig. 18

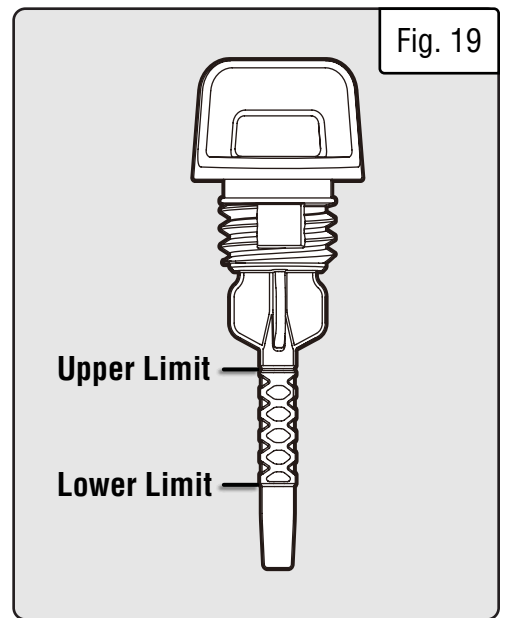


Fig. 19

DRAINING / CHANGING THE OIL

Change the oil according to the Recommended Maintenance Schedule in Table 4. Change the oil more often if operating under heavy load or high ambient temperatures. It is also necessary to drain the oil from the crankcase if it has become contaminated with water or dirt. Changing the oil when the engine is warm allows for complete drainage. Drain the oil from the generator according to the following steps.

1. Place generator on an elevated platform such as table or desk. Prepare a container underneath the oil fill to catch the oil as it drains.
2. Open the oil access cover. Remove the dipstick and tilt the generator towards you to allow the oil to drain from the engine completely.
3. Reinstall the oil dipstick and tighten it securely. Wipe clean any oil spillage and replace the oil access cover.

NOTE: Do not dispose of used motor oil in the trash or down a drain. Please call a local recycling center or auto garage to arrange proper oil disposal.

SPARK PLUG MAINTENANCE

The spark plug is important for proper engine operation. A good spark plug should be intact, free of deposits, and properly gapped. Refer to Recommended Maintenance Schedule in Table 4 for instructions on maintaining. To inspect the spark plug:

1. Open the spark plug access cover (Fig. 20 - 1).
2. Pull up to remove the black plastic spark plug boot. Be careful not to tear any insulation or wire.
3. Use a spark plug wrench to unscrew and remove the spark plug from the engine.
4. Visually inspect the spark plug for cracks or excessive electrode wear. If the electrodes are worn or burned, or porcelain is cracked, replace with a NGK BPR5HS/Torch E5T spark plug (**Part No. 56202i-102**), available at wenproducts.com.
5. If re-using the spark plug, use a wire brush to clean any dirt from around the spark plug base then re-gap the spark plug.
6. Measure the plug gap with a wire gauge (Fig. 21). The gap should be 0.6 mm - 0.8 mm. Carefully adjust the gap if necessary.
7. Screw the spark plug back into the spark plug hole by hand. After the spark plug is properly seated, use the spark plug wrench to tighten it.

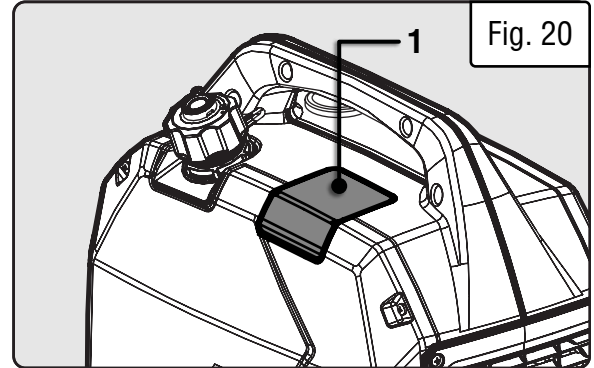


Fig. 20

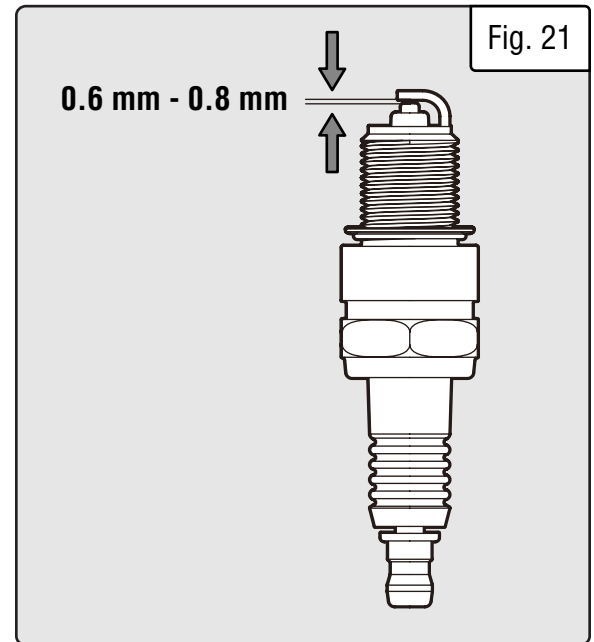


Fig. 21

NOTE: The recommended tightening of the spark plug is 1/2 to 3/4 of a turn after the spark plug gasket contacts the spark plug hole, or 11.1-14.7 ft-lbs (15 - 20 Nm). Do not over-tighten the spark plug.

8. Reinstall the spark plug boot over the spark plug.
9. Reinstall the spark plug access cover.

MAINTENANCE

AIR FILTER MAINTENANCE

Routine maintenance of the air filter helps maintain proper airflow to the carburetor. Occasionally check that the air filter is free of excessive dirt. The air filter should be checked every 50 hours of use. Refer to Recommended Maintenance Schedule in Table 4.

1. Remove the oil access panel. Unscrew the four Phillips-head screws and remove the side panel (Fig. 22 - 1).

2. Open the air filter cover (Fig. 23 - 1), and remove the foam air filter element from the casing.

3. Check and clean the foam air filter element. Wash the filter element in warm soapy water. Squeeze it thoroughly dry in a clean cloth. Saturate the element in clean engine oil and squeeze off excess oil in a clean absorbent cloth. A small amount of oil in the element is normal and necessary for the engine to work properly. If the element is damaged, replace it with a new one (**part. no. 56202i-163, available at wenproducts.com**).

4. Reinstall the air filter element and close the air filter cover. Close the air filter cover. Replace the side cover and secure it with the screws. Reinstall the oil access panel.

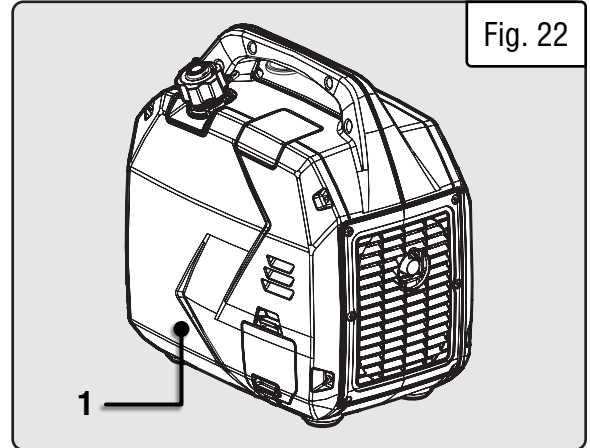


Fig. 22

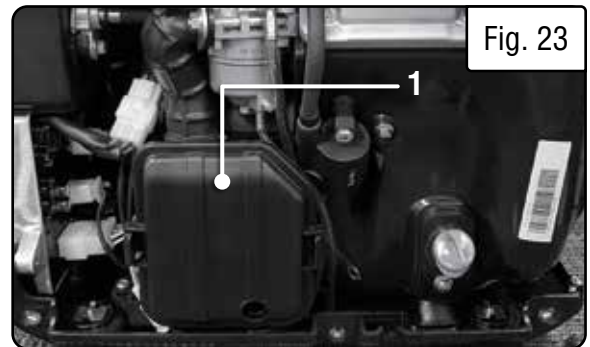


Fig. 23

⚠ CAUTION! Running the engine with a dirty, damaged, or missing air filter element will result in possible danger and cause the engine to wear out prematurely.

DRAINING THE CARBURETOR

Drain the carburetor after every use and before storing the generator (refer to Table 4). Draining the carburetor can help prevent build-up and blockages caused by stagnant fuel inside of the carburetor.

1. Prepare an approved gasoline storage container.

2. Remove the oil access panel. Unscrew the four Phillips-head screws and remove the side panel (Fig. 22 - 1).

3. Open up the carburetor drain screw (Fig. 24) with a Phillips screwdriver and drain out any gasoline that has built up inside the carburetor.

4. Once the fuel has drained, tighten the drain screw with the screwdriver.

NOTE: Make sure to drain your carburetor before storing the generator for long periods of time.

5. Replace the side panel and secure it with the screws. Reinstall the oil access panel.

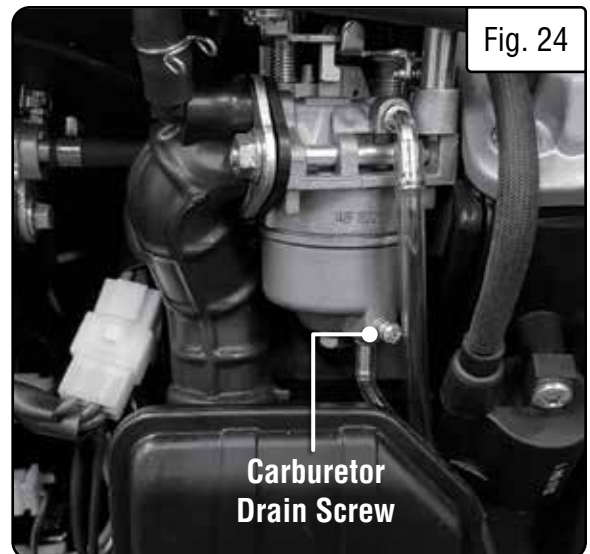


Fig. 24

SPARK ARRESTOR MAINTENANCE

It is recommended to inspect and clean the spark arrestor (Fig. 25 - 2) every 100 hours of operation.

1. The spark arrestor is located outside the muffler, which gets very hot during operation. Allow the engine to cool completely before servicing the spark arrestor.

2. Unscrew the six Phillips head screws and remove the muffler cover (Fig. 22 - 1).

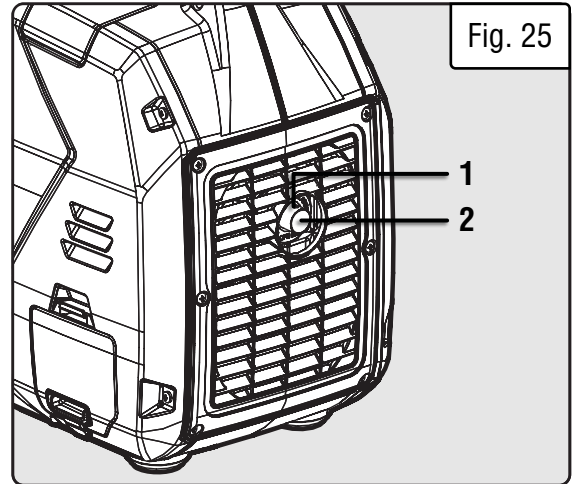
3. Remove screw that holds spark arrestor to muffler (Fig. 25 - 1).

4. Remove the spark arrestor screen.

5. Carefully clean and remove the carbon deposits from the spark arrestor screen with a wire brush. Replace the spark arrestor if it is damaged (**part no. 56202i-040, available for purchase at wenproducts.com**).

6. Reinstall the spark arrestor in the muffler and secure it in place with the screw.

7. Replace the muffler cover and secure it with the six screws.



DRAINING THE FUEL TANK

1. Prepare an approved gasoline-storage container. Make sure the vacuum-relief valve atop the gas cap is open. Make sure the engine switch is turned to OFF.

2. Remove the side panel to access the carburetor, as instructed on the previous page.

3. Open the carburetor drain screw and turn the engine switch to ON. This will allow gasoline to drain from the gas tank through the carburetor.

NOTE: it may take a few hours for your tank to drain completely, depending on the amount of gasoline in the tank.

4. Once the gasoline has drained fully, close the carburetor drain screw, turn the engine switch to OFF, and close the vacuum-relief valve.


⚠ CAUTION! Running the engine with a dirty, damaged, or missing air filter will result in possible danger and cause the engine to wear out prematurely.

TRANSPORTATION & STORAGE

TRANSPORTING THE GENERATOR

To prevent fuel spillage when transporting, be sure to perform the following:

1. Tighten the fuel cap and turn the fuel valve to the OFF position.
2. Flip the engine switch to the OFF position.
3. Drain the fuel tank if possible. Refer to page 27, “Draining the Fuel Tank.”
4. Keep the generator upright. Never place the generator on its side or upside down - doing so could damage the internal components of the generator and make it difficult to start.

 **WARNING!** Avoid direct sunlight inside a vehicle. If the generator is left in an enclosed vehicle for many hours, the high temperature could cause the fuel to vaporize and result in a possible explosion.

STORING THE GENERATOR

Shut off the generator and allow the unit to cool to room temperature before storing it. NEVER place any type of storage cover on the generator while it is still hot. Do not obstruct any ventilation openings.


Follow the procedures below for properly storing your generator. We highly recommend running your generator once a month for 20 to 30 minutes. Plug in a small load in to ensure there is proper power output.

For Short Periods (30 to 60 Days):

- Drain the carburetor. Refer to page 26, “Draining the Carburetor.”
- **Add fuel stabilizer:** Follow the suggested portions and instructions of your preferred stabilizer. Run the engine for 15 to 20 minutes, allowing the fuel stabilizer to mix with the gasoline and circulate through the carburetor, and then top off with fuel. Filling the fuel tank full reduces the amount of air in the tank and helps fight deterioration of fuel.

For Extended Periods (Over 60 Days):

- Drain the fuel tank and carburetor (see “Draining the Fuel Tank”). Never store generator with fuel in the tank for more than two months.
- Change the engine oil (see “CHANGING OIL”).

 **WARNING!** Store the generator upright in a cool and dry location, away from sources of heat, open flames, sparks or pilot lights.

PRODUCT DISPOSAL

Do not dispose of a used generator or parts with your household waste. This product contains electrical or electronic components that should be recycled. Please take this product to your local recycling facility for responsible disposal to minimize its environmental impact.

Do not dispose of used oil or fuel in the trash or down a drain. Please contact your local recycling center or auto garage to arrange proper oil/fuel disposal.



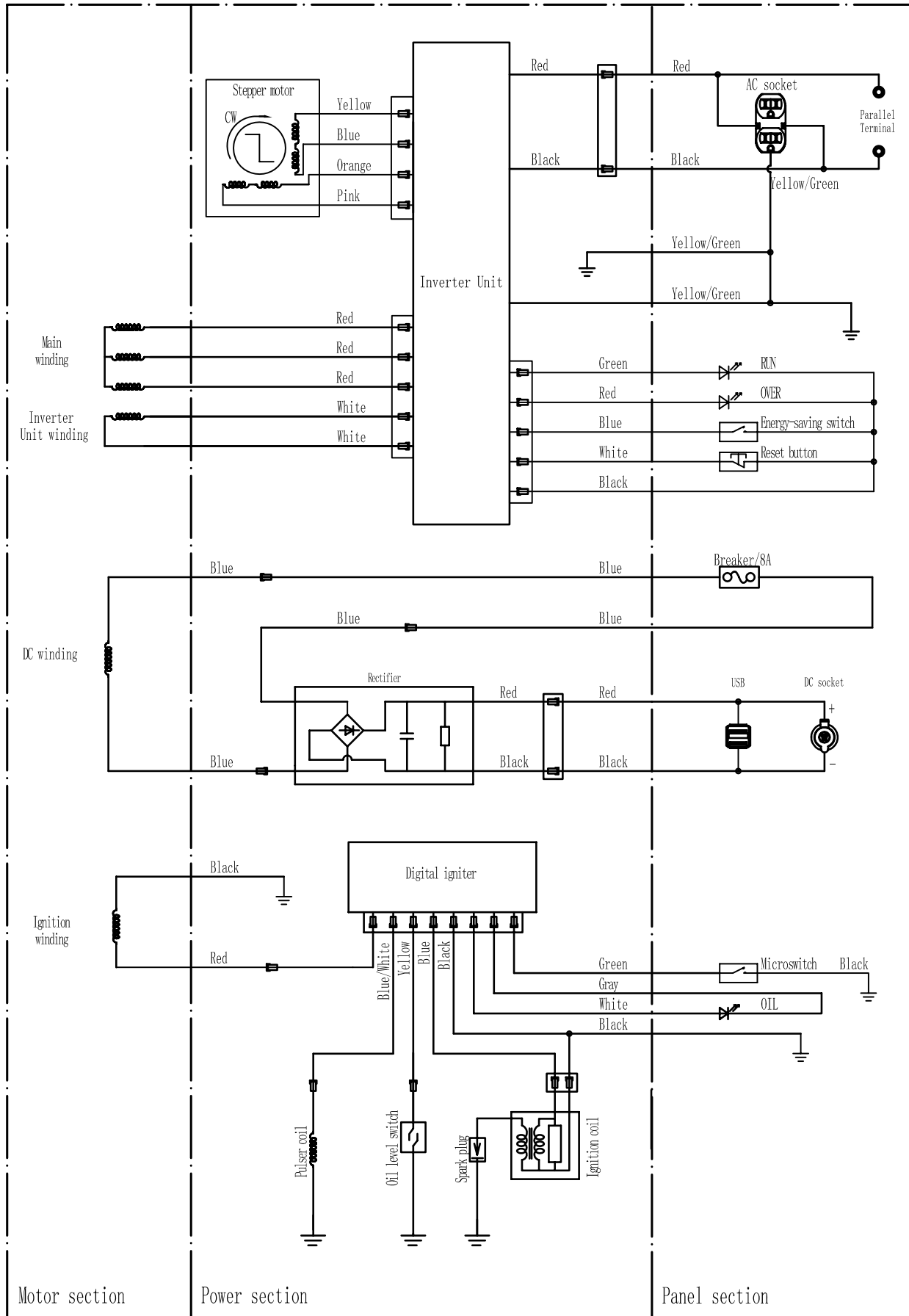
Please recycle the packaging and electronic components where facilities exist. Please contact your local auto garage or recycling facility to properly dispose of oil/fuel.

TROUBLESHOOTING GUIDE

⚠ WARNING! Stop using the generator immediately if any of the following problems occur or risk serious personal injury. If you have any questions, please contact customer service at **1-800-232-1195** (M-F 8-5 CST), or email techsupport@wenproducts.com.

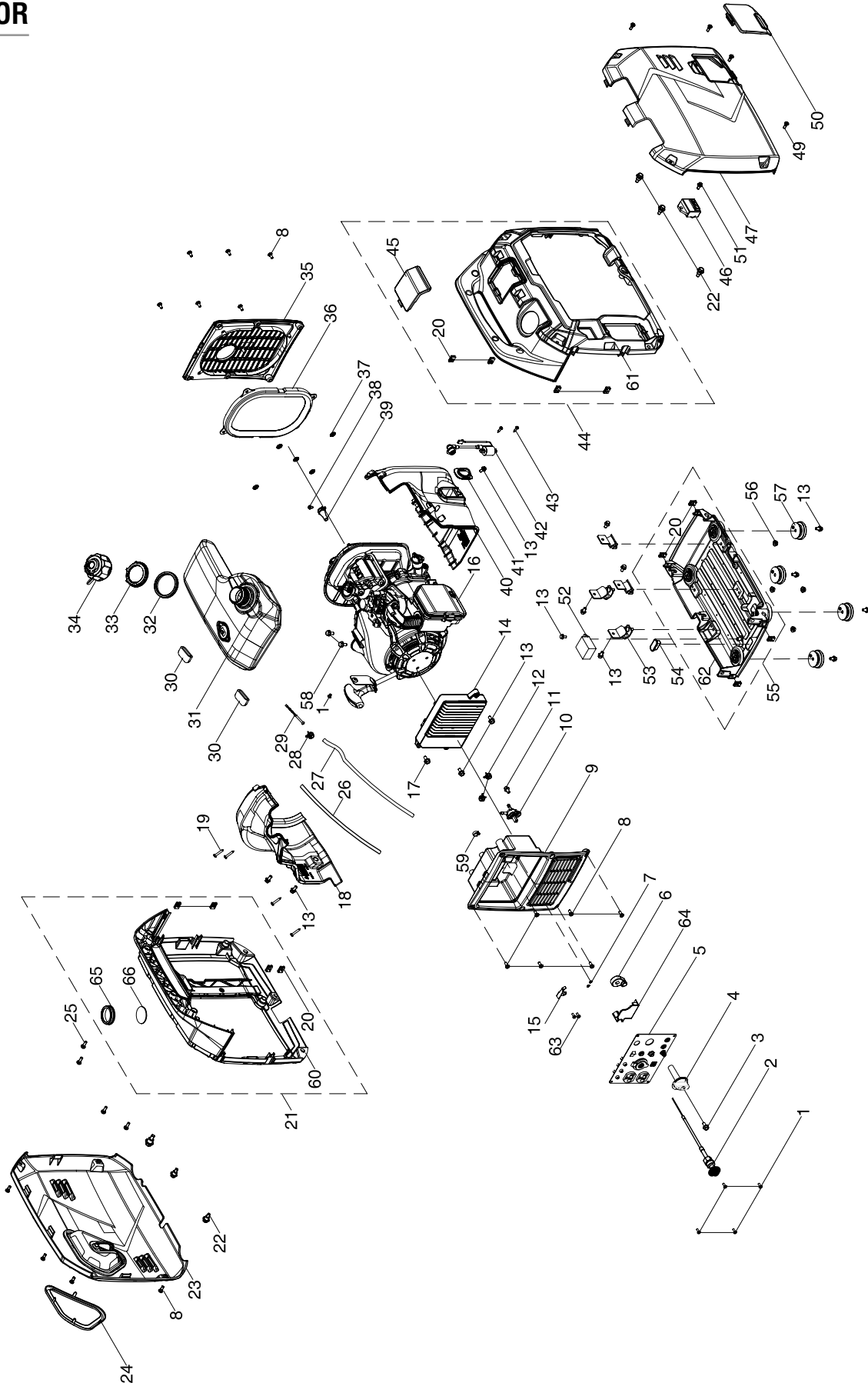
PROBLEM	POSSIBLE CAUSE	SOLUTION
Engine will not start.	Engine switch is set to OFF.	Set engine switch to ON.
	Choke is open.	Close the choke.
	Engine is out of fuel.	Add fuel.
	Engine is filled with contaminated or old fuel.	Drain the fuel in the tank. Fill with fresh fuel.
	Spark plug is dirty.	Clean the spark plug.
	Spark plug is broken.	Replace spark plug.
	Oil level is low.	Add or replace oil. This generator is equipped with a low oil sensor. The engine will not start unless the oil level is sufficient.
	Carburetor is air locked.	Shut off the fuel valve. Remove the nut from the bottom of the carburetor. Take off the carburetor to allow it to reset. Place the carburetor back and reinstall the nut.
Engine runs but there is no electrical output.	Circuit breaker has been tripped due to overload.	Disconnect all the loads. Wait for two minutes and push the circuit breaker to the ON position to reset it.
	Bad connecting cords/wires.	Check the power cords and extension cords. Do not use if any cord is damaged. Replace damaged cords immediately.
	Bad electrical device connected to the generator.	Try connecting a different device.
Generator runs but does not support all electrical devices connected.	Generator is overloaded.	Perform these steps: 1. Turn off all electrical devices. 2. Unplug all electrical devices. 3. Turn off generator. 4. Wait several minutes. 5. Restart generator. 6. Try connecting few electrical loads to the generator.
	Short circuit in one of the devices.	Try disconnecting any faulty or short-circuited electrical loads.
	The air filter is dirty.	Clean or replace the air filter element (see page 20).
Engine is “Hunting” during Operation (Engine RPM is fluctuating).	1. The fuel isn’t running through the fuel valve. 2. The air filter is clogged. 3. The muffler or spark arrestor is blocked 4. There is gunk in the carburetor preventing a consistent fuel/air mixture.	Turn off the generator and wait for it to cool down. Perform the following steps: 1. Check if the fuel is properly and consistently going through the fuel valve 2. Check for any blockage in the air filter. Check and clean the air filter as necessary. 3. Check if the spark arrestor is blocked. Clean with metal brush as necessary. 4. Use “Gunk remover” spray on the carburetor jets.

WIRING DIAGRAM



EXPLODED VIEW & PARTS LIST

GENERATOR



EXPLODED VIEW & PARTS LIST

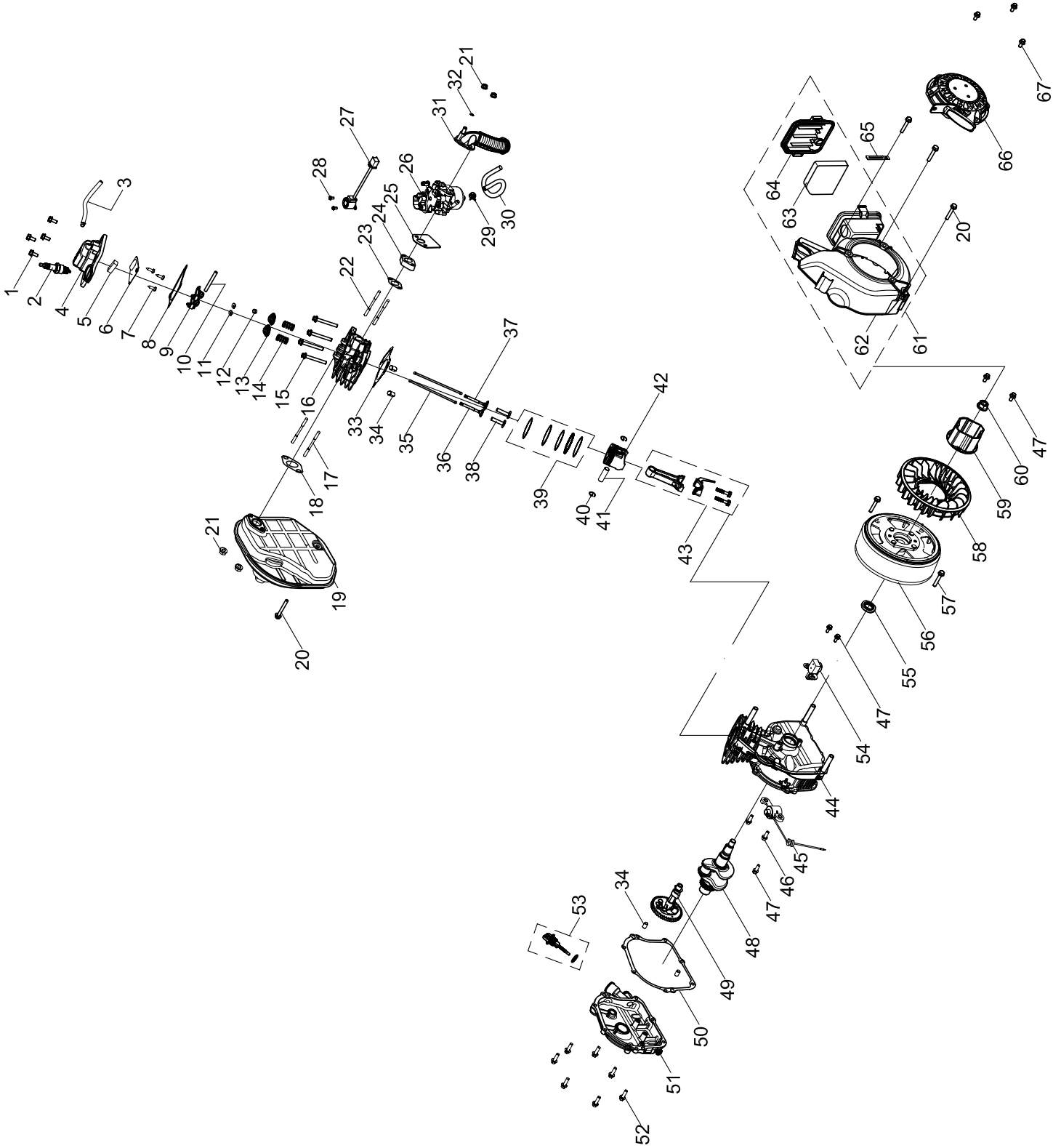
GENERATOR

NO.	PART NO.	DESCRIPTION	QTY.
1	56202i-001	Screw, M4x10	5
2	56202i-002	Cable	1
3	56202i-003	Screw, M4x18	1
4	56202i-004	Fuel Valve Lever	1
5	56235i-005ASM	Control Panel Assembly	1
6	56203i-006	Switch Block	1
7	56202i-007	Circlip, Bearing Holder, Ø10.8 x Ø6	2
8	56202i-008	Step Bolt	16
9	56202i-009	Protective Panel	1
10	56202i-010	Fuel Valve	1
11	56202i-011	Hex Head Flange Bolt, M6x14	1
12	56235i-012	Clamp 1, Ø7.5	2
13	56203i-013	Big Flange Bolt, M6x12	14
14	56235i-014	Inverter, 120V 60Hz	1
15	56202i-015	Spring	1
16	56235i-016	Engine Assembly, 79cc	1
17	56202i-017	Bolt, M5x12	1
18	56202i-019	Front Air Guide	1
19	56203i-019	Self-tapping Screw, ST4.2x25	4
20	56202i-020	Threaded Clamp	12
21	56203i-021ASM	Left Frame Assembly	1
22	56202i-022	Shaft Locating Bolt	6
23	56202i-023	Left Cover Panel	1
24	56202i-024	Protective Panel, Starter Handle	1
25	56202i-025	Screw, M5x16	4
26	56202i-026	Tube Sheath	1
27	56202i-027	Fuel Tube, 300mm	1
28	56202i-028	Clamp 2, Ø9.7 x 8	1
29	56202i-029	Fuel Strainer	1
30	56202i-030	Rubber Pad	2
31	56203i-031	Fuel Tank	1
32	56202i-032	Rubber Washer	1

NO.	PART NO.	DESCRIPTION	QTY.
33	56202i-033	Lock Nut	1
34	56202i-034	Fuel Tank Cap	1
35	56202i-035	Muffler Cover	1
36	56202i-036	O-ring Seal	1
37	56202i-037	Retainer Ring	5
38	56202i-038	Self-tapping Screw, ST4.2x9.5	1
39	56202i-039	Spark Arrestor Assembly	1
40	56202i-040	Rear Air Guide	1
41	56202i-041	Oil Seal	1
42	56202i-042	Ignition Coil	1
43	56202i-043	Self-tapping Screw, ST4.8x20	2
44	56202i-044ASM	Right Frame Assembly	1
45	56202i-045	Spark Plug Access Panel	1
46	56202i-046	Igniter	1
47	56202i-047	Right Cover Panel	1
49	56202i-049	Phillips Screw	4
50	56202i-050	Oil Access Panel	1
51	56203i-051	Screw, M6x12	1
52	56202i-052	Rectifier Bridge	1
53	56202i-053	Damper Supports	4
54	56202i-054	Rubber Support	1
55	56202i-055	Bottom Plate Assembly	1
56	56202i-056	Nut M6	4
57	56202i-057	Foot	4
58	56203i-058	Bolt, M6x18	2
59	56203i-059	Clip	1
60	56203i-021	Left Frame	1
61	56202i-044	Right Frame	1
62	56202i-055.1	Base Plate	1
63	56235i-063	Self-tapping Screw, ST4.2x10	2
64	56235i-064	Block	1
65	56203i-065	Rubber Ring	1
66	56203i-066	Cover Plate	1

EXPLODED VIEW & PARTS LIST

ENGINE



EXPLODED VIEW & PARTS LIST

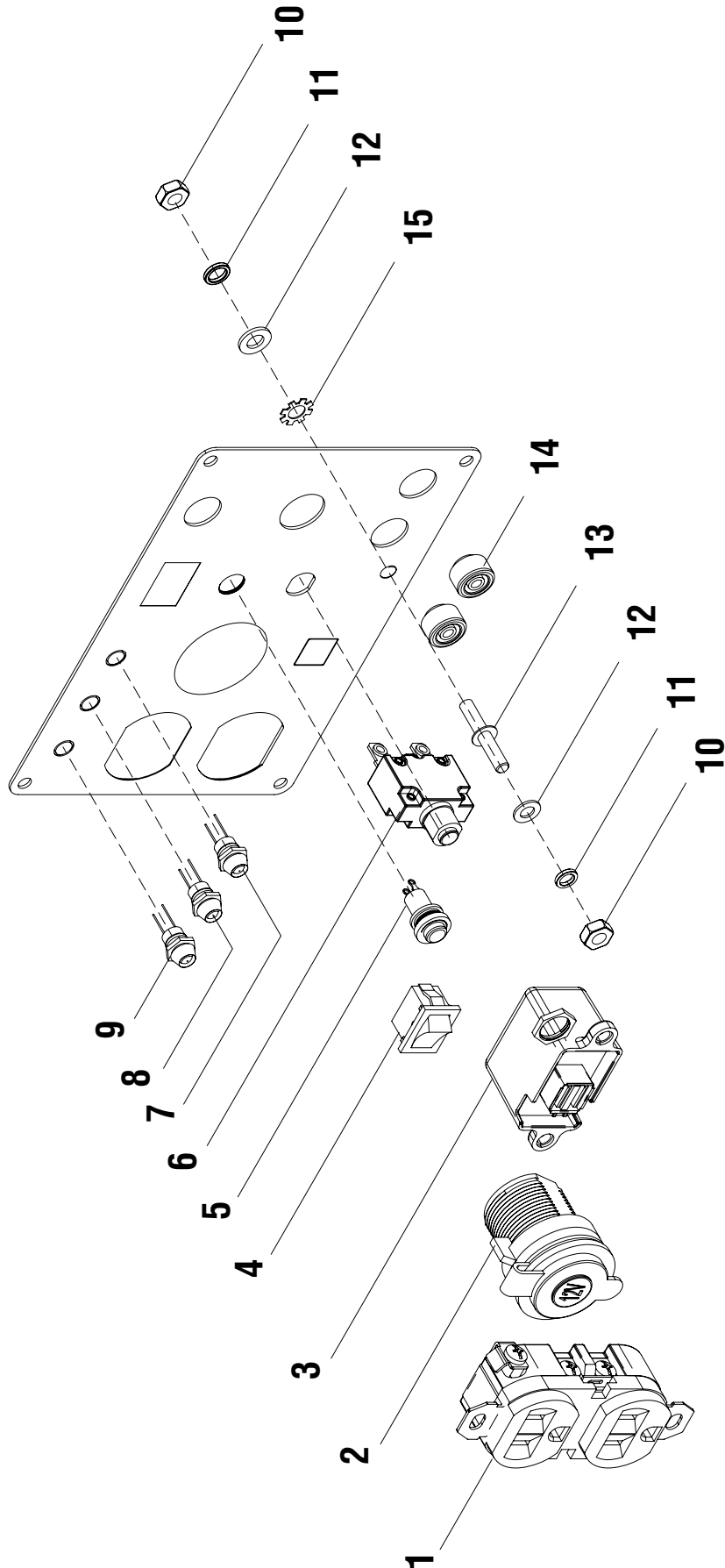
ENGINE

NO.	PART NO.	DESCRIPTION	QTY.
1	56202i-101	Hex Head Flange Bolt, M6x18	4
2	56202i-102	Spark Plug, Torch E5T (NGK BPR5HS)	1
3	56202i-103	Breather Tube	1
4	56202i-104	Cylinder Head Cover Assembly	1
5	56202i-105	Strainer, Cylinder Head Cover	1
6	56202i-106	Inner Cover, Cylinder Head Cover	1
7	56202i-107	Cross Head Screw, M3x6.5	3
8	56202i-108	Gasket, Cylinder Head Cover	1
9	56202i-109	Rocker Arm Assembly	2
10	56202i-110	Shaft, Rocker Arm	1
11	56202i-111	Valve Collet	2
12	56202i-112	Oil Drip Plug	1
13	56202i-113	Valve Spring Seat, 182F	2
14	56235i-114	Spring Valve	2
15	56202i-115	Flange Bolt, M6x50	4
16	56235i-116	Cylinder Head	1
17	56202i-117	Stud Bolt, M6x72	2
18	56202i-118	Gasket, Muffler	1
19	56203i-119	Exhaust Muffler Assembly	1
20	56202i-120	Flange Bolt M6x60	4
21	56202i-121	Lock Nut M6, Flange	4
22	56202i-122	Stud Bolt, M6x87	2
23	56202i-123	Gasket, Carburetor	1
24	56202i-124	Insulator, Carburetor	1
25	56202i-125	Gasket, Insulator	1
26	56235i-126	Carburetor	1
27	56202i-127	Stepper Motor	1
28	56203i-128	Screw, M4x6	2
29	56202i-129	Clamp 1, Ø7.5	1
30	56202i-130	Oil Tube	1
31	56202i-131	Air Filter Hose	1
32	56202i-132	Clamp	1
33	56202i-133	Gasket, Cylinder Head	1
34	56202i-134	Dowel Pin, Ø8x12	4

NO.	PART NO.	DESCRIPTION	QTY.
35	56202i-135	Push Rod	2
36	56202i-136	Valve, Exhaust	1
37	56235i-137	Valve, Intake	1
38	56202i-138	Lifter, Valve	2
39	56202i-139	Piston Ring Set	1
40	56202i-140	Circlip	2
41	56202i-141	Piston Pin	1
42	56235i-142	Piston	1
43	56202i-143	Connecting Rod Assembly	1
44	56202i-144	Crankcase	1
45	56202i-145	Oil Level Sensor	1
46	56202i-146	Hex Head Flange Bolt, M6x16	2
47	56202i-147	Hex Head Flange Bolt, M6x12	5
48	56202i-148	Crankshaft	1
49	56235i-149	Camshaft	1
50	56202i-150	Gasket, Crankcase Cover	1
51	56202i-151	Cover, Crankcase	1
52	56202i-152	Hex Head Flange Bolt, M6x20	7
53	56202i-153	Oil Dipstick Assembly	1
54	56202i-154	Trigger	1
55	56202i-155	Oil Seal, Ø20xØ32x6	1
56	56235i-156	Alternator Assembly	1
57	56202i-157	Flange Bolt, M6x32	2
58	56202i-158	Cooling Fan	1
59	56202i-159	Pulley, Starter	1
60	56202i-160	Flange Nut, M12-1.25	1
61	56202i-161	Fan Cover Assembly	1
62	56202i-162	Fan Cover	1
63	56202i-163	Air Filter Element	1
64	56202i-164	Air Filter Cover	1
65	56202i-165	Wire Clip B	1
66	56202i-166	Recoil Starter Assembly	1
67	56202i-167	Hex Head Flange Bolt, M6x14	3

EXPLODED VIEW & PARTS LIST

CONTROL PANEL



EXPLODED VIEW & PARTS LIST

CONTROL PANEL

NO.	PART NO.	DESCRIPTION	QTY.
1	56203i-005.1	NEMA 5-20R 120V AC Duplex Outlet	1
2	56203i-005.2	DC 12V Outlet	1
3	56203i-005.3	USB Outlet	1
4	56203i-005.4	Eco-Mode Switch	1
5	56203i-005.5	Reset Button	1
6	56203i-005.6	DC Breaker, 8A	1
7	56203i-005.7	Oil Level LED, Yellow	1

NO.	PART NO.	DESCRIPTION	QTY.
8	56203i-005.8	Overload LED, Red	1
9	56203i-005.9	Output LED, Green	1
10	56203i-005.10	Nut, M6	2
11	56203i-005.11	Locking Washer, 6mm	2
12	56203i-005.12	Flat Washer, 6mm	2
13	56203i-005.13	Bolt, M6x20	1
14	56203i-005.14	Parallel Socket	2
15	56203i-005.15	Washer, 6mm	1

WARRANTY STATEMENT

WEN Products is committed to building tools that are dependable for years. Our warranties are consistent with this commitment and our dedication to quality.

LIMITED WARRANTY OF WEN PRODUCTS FOR HOME USE

GREAT LAKES TECHNOLOGIES, LLC (“Seller”) warrants to the original purchaser only, that all WEN consumer power tools will be free from defects in material or workmanship during personal use for a period of two (2) years from date of purchase or 500 hours of use; whichever comes first. Ninety days for all WEN products if the tool is used for professional or commercial use. Purchaser has 30 days from the date of purchase to report missing or damaged parts.

SELLER’S SOLE OBLIGATION AND YOUR EXCLUSIVE REMEDY under this Limited Warranty and, to the extent permitted by law, any warranty or condition implied by law, shall be the replacement of parts, without charge, which are defective in material or workmanship and which have not been subjected to misuse, alteration, careless handling, misrepair, abuse, neglect, normal wear and tear, improper maintenance, improper storage, incorrect lubricants/fuels, or other conditions adversely affecting the Product or the component of the Product, whether by accident or intentionally, by persons other than Seller. To make a claim under this Limited Warranty, you must make sure to keep a copy of your proof of purchase that clearly defines the Date of Purchase (month and year) and the Place of Purchase. Place of Purchase must be a direct vendor of Great Lakes Technologies, LLC. Purchasing through third party vendors, including but not limited to garage sales, pawn shops, resale shops, or any other secondhand merchant, voids the warranty included with this product. Contact techsupport@wenproducts.com or 1-800-232-1195 with the following information to make arrangements: your shipping address, phone number, serial number, required part numbers, and proof of purchase. Damaged or defective parts and products may need to be sent to WEN before the replacements can be shipped out.

Upon the confirmation of a WEN representative, your product may qualify for repairs and service work. When returning a product for warranty service, the shipping charges must be prepaid by the purchaser. The product must be shipped in its original container (or an equivalent), properly packed to withstand the hazards of shipment. The product must be fully insured with a copy of the proof of purchase enclosed. There must also be a description of the problem in order to help our repairs department diagnose and fix the issue. Repairs will be made and the product will be returned and shipped back to the purchaser at no charge for addresses within the contiguous United States.

THIS LIMITED WARRANTY DOES NOT APPLY TO ITEMS THAT WEAR OUT FROM REGULAR USAGE OVER TIME, INCLUDING FILTERS, SPARK PLUGS, VOLTAGE REGULATORS, BRUSHES, GASKETS, O-RINGS, WHEEL KITS, BATTERIES, RECOIL STARTERS, HIGH PRESSURE HOSES, SPRAY GUNS, ETC. ANY IMPLIED WARRANTIES SHALL BE LIMITED IN DURATION TO TWO (2) YEARS FROM DATE OF PURCHASE. SOME STATES IN THE U.S. AND SOME CANADIAN PROVINCES DO NOT ALLOW LIMITATIONS ON HOW LONG AN IMPLIED WARRANTY LASTS, SO THE ABOVE LIMITATION MAY NOT APPLY TO YOU.

IN NO EVENT SHALL SELLER BE LIABLE FOR ANY INCIDENTAL OR CONSEQUENTIAL DAMAGES (INCLUDING BUT NOT LIMITED TO LIABILITY FOR LOSS OF PROFITS) ARISING FROM THE SALE OR USE OF THIS PRODUCT. SOME STATES IN THE U.S. AND SOME CANADIAN PROVINCES DO NOT ALLOW THE EXCLUSION OR LIMITATION OF INCIDENTAL OR CONSEQUENTIAL DAMAGES, SO THE ABOVE LIMITATION OR EXCLUSION MAY NOT APPLY TO YOU.

THIS LIMITED WARRANTY GIVES YOU SPECIFIC LEGAL RIGHTS, AND YOU MAY ALSO HAVE OTHER RIGHTS WHICH VARY FROM STATE TO STATE IN THE U.S., PROVINCE TO PROVINCE IN CANADA AND FROM COUNTRY TO COUNTRY.

THIS LIMITED WARRANTY APPLIES ONLY TO ITEMS SOLD WITHIN THE UNITED STATES OF AMERICA, CANADA AND THE COMMONWEALTH OF PUERTO RICO. FOR WARRANTY COVERAGE WITHIN OTHER COUNTRIES, CONTACT THE WEN CUSTOMER SUPPORT LINE. FOR WARRANTY PARTS OR PRODUCTS REPAIRED UNDER WARRANTY SHIPPING TO ADDRESSES OUTSIDE OF THE CONTIGUOUS UNITED STATES, ADDITIONAL SHIPPING CHARGES MAY APPLY.

**THANKS FOR
REMEMBERING**

