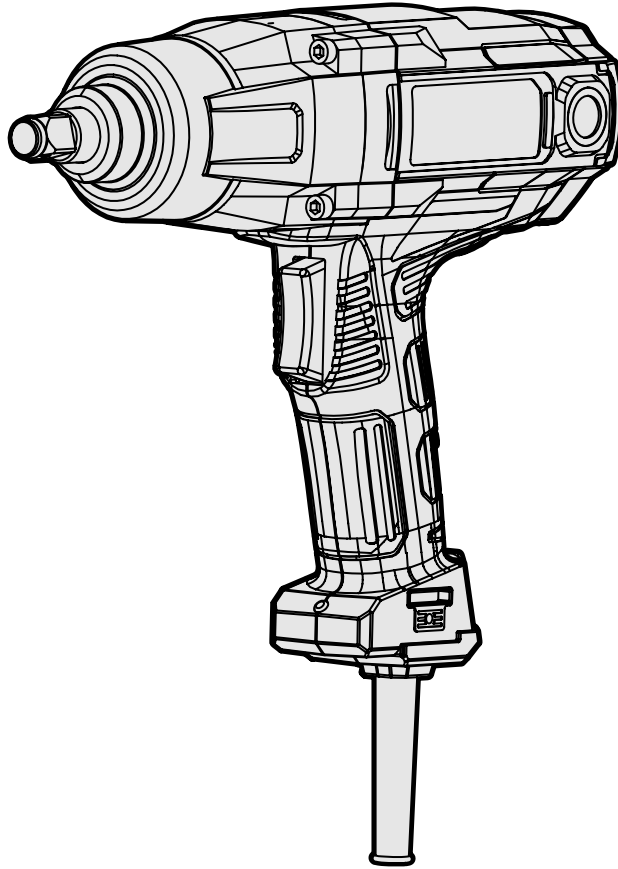




MODEL 48108

7.5-AMP CORDED IMPACT WRENCH

Instruction Manual



NEED HELP? CONTACT US!

Have product questions? Need technical support? Please feel free to contact us:



1-847-429-9263 (M-F 8AM-5PM CST)



TECHSUPPORT@WENPRODUCTS.COM

IMPORTANT: Your new tool has been engineered and manufactured to WEN's highest standards for dependability, ease of operation, and operator safety. When properly cared for, this product will supply you years of rugged, trouble-free performance. Pay close attention to the rules for safe operation, warnings, and cautions. If you use your tool properly and for its intended purpose, you will enjoy years of safe, reliable service.

For replacement parts and the most up-to-date instruction manuals, visit ***WENPRODUCTS.COM***


CONTENTS

WELCOME	3
Introduction	3
Specifications.....	3
SAFETY	4
General Safety Rules	4
Impact Wrench Safety Warnings.....	6
Electrical Information	7
BEFORE OPERATING	8
Unpacking & Packing List	8
Know Your Impact Wrench	8
OPERATION & MAINTENANCE	9
Operation	9
Maintenance.....	10
Troubleshooting Guide.....	12
Exploded View & Parts List.....	13
Warranty Statement	15

To purchase accessories and replacement parts for your tool, visit **WENPRODUCTS.COM**

INTRODUCTION

Thanks for purchasing the WEN Impact Wrench. We know you are excited to put your tool to work, but first, please take a moment to read through the manual. Safe operation of this tool requires that you read and understand this operator's manual and all the labels affixed to the tool. This manual provides information regarding potential safety concerns, as well as helpful assembly and operating instructions for your tool.

 Indicates danger, warning, or caution. The safety symbols and the explanations with them deserve your careful attention and understanding. Always follow the safety precautions to reduce the risk of fire, electric shock or personal injury. However, please note that these instructions and warnings are not substitutes for proper accident prevention measures.

NOTE: The following safety information is not meant to cover all possible conditions and situations that may occur. WEN reserves the right to change this product and specifications at any time without prior notice.

At WEN, we are continuously improving our products. If you find that your tool does not exactly match this manual, please visit wenproducts.com for the most up-to-date manual or contact our customer service at **1-847-429-9263**.

Keep this manual available to all users during the entire life of the tool and review it frequently to maximize safety for both yourself and others.

SPECIFICATIONS

Model Number	48108
Motor	AC 120V, 60 Hz, 7.5A
No-Load Speed	3300 RPM
Impact Frequency	0 - 6600 Impacts Per Minute
Maximum Torque	450 ft-lbs
Drive Size	1/2 Inch
Product Dimensions	10.62 in. x 3.34 in. x 11.02 in.
Product Weight	5.5 Pounds

GENERAL SAFETY RULES

 **WARNING!** Read all safety warnings and all instructions. Failure to follow the warnings and instructions may result in electric shock, fire and/or serious injury.

Safety is a combination of common sense, staying alert and knowing how your item works. The term “power tool” in the warnings refers to your mains-operated (corded) power tool or battery-operated (cordless) power tool.

SAVE THESE SAFETY INSTRUCTIONS.

WORK AREA SAFETY

- 1. Keep work area clean and well lit.** Cluttered or dark areas invite accidents.
- 2. Do not operate power tools in explosive atmospheres, such as in the presence of flammable liquids, gases or dust.** Power tools create sparks which may ignite the dust or fumes.
- 3. Keep children and bystanders away while operating a power tool.** Distractions can cause you to lose control.

ELECTRICAL SAFETY

- 1. Power tool plugs must match the outlet. Never modify the plug in any way. Do not use any adapter plugs with earthed (grounded) power tools.** Unmodified plugs and matching outlets will reduce risk of electric shock.
- 2. Avoid body contact with earthed or grounded surfaces such as pipes, radiators, ranges and refrigerators.** There is an increased risk of electric shock if your body is earthed or grounded.
- 3. Do not expose power tools to rain or wet conditions.** Water entering a power tool will increase the risk of electric shock.
- 4. Do not abuse the cord. Never use the cord for carrying, pulling or unplugging the power tool. Keep cord away from heat, oil, sharp edges or moving parts.** Damaged or entangled cords increase the risk of electric shock.
- 5. When operating a power tool outdoors, use an extension cord suitable for outdoor use.** Use of a cord suitable for outdoor use reduces the risk of electric shock.

- 6. If operating a power tool in a damp location is unavoidable, use a ground fault circuit interrupter (GFCI) protected supply.** Use of a GFCI reduces the risk of electric shock.

PERSONAL SAFETY

- 1. Stay alert, watch what you are doing and use common sense when operating a power tool. Do not use a power tool while you are tired or under the influence of drugs, alcohol or medication.** A moment of inattention while operating power tools may result in serious personal injury.
- 2. Use personal protective equipment. Always wear eye protection.** Protective equipment such as a respiratory mask, non-skid safety shoes and hearing protection used for appropriate conditions will reduce the risk of personal injury.
- 3. Prevent unintentional starting. Ensure the switch is in the off-position before connecting to power source and/or battery pack, picking up or carrying the tool.** Carrying power tools with your finger on the switch or energizing power tools that have the switch on invites accidents.
- 4. Remove any adjusting key or wrench before turning the power tool on.** A wrench or a key left attached to a rotating part of the power tool may result in personal injury.
- 5. Do not overreach. Keep proper footing and balance at all times.** This enables better control of the power tool in unexpected situations.
- 6. Dress properly. Do not wear loose clothing or jewelry. Keep your hair and clothing away from moving parts.** Loose clothes, jewelry or long hair can be caught in moving parts.

GENERAL SAFETY RULES

 **WARNING!** Read all safety warnings and all instructions. Failure to follow the warnings and instructions may result in electric shock, fire and/or serious injury.

Safety is a combination of common sense, staying alert and knowing how your item works. The term “power tool” in the warnings refers to your mains-operated (corded) power tool or battery-operated (cordless) power tool.

SAVE THESE SAFETY INSTRUCTIONS.

7. If devices are provided for the connection of dust extraction and collection facilities, ensure these are connected and properly used. Use of dust collection can reduce dust-related hazards.

POWER TOOL USE AND CARE

1. Do not force the power tool. Use the correct power tool for your application. The correct power tool will do the job better and safer at the rate for which it was designed.

2. Do not use the power tool if the switch does not turn it on and off. Any power tool that cannot be controlled with the switch is dangerous and must be repaired.

3. Disconnect the plug from the power source and/or the battery pack from the power tool before making any adjustments, changing accessories, or storing power tools. Such preventive safety measures reduce the risk of starting the power tool accidentally.

4. Store idle power tools out of the reach of children and do not allow persons unfamiliar with the power tool or these instructions to operate the power tool. Power tools are dangerous in the hands of untrained users.

5. Maintain power tools. Check for misalignment or binding of moving parts, breakage of parts and any other condition that may affect the power tool's operation. If damaged, have the power tool repaired before use. Many accidents are caused by poorly maintained power tools.

6. Keep cutting tools sharp and clean. Properly maintained cutting tools with sharp cutting edges are less likely to bind and are easier to control.

7. Use the power tool, accessories and tool bits, etc. in accordance with these instructions, taking into account the working conditions and the work to be performed. Use of the power tool for operations different from those intended could result in a hazardous situation.

8. Use clamps to secure your workpiece to a stable surface. Holding a workpiece by hand or using your body to support it may lead to loss of control.

9. KEEP GUARDS IN PLACE and in working order.

SERVICE

1. Have your power tool serviced by a qualified repair person using only identical replacement parts. This will ensure that the safety of the power tool is maintained.


CALIFORNIA PROPOSITION 65 WARNING

Some dust created by power sanding, sawing, grinding, drilling, and other construction activities may contain chemicals, including lead, known to the State of California to cause cancer, birth defects, or other reproductive harm. Wash hands after handling. Some examples of these chemicals are:

- Lead from lead-based paints.
- Crystalline silica from bricks, cement, and other masonry products.
- Arsenic and chromium from chemically treated lumber.

Your risk from these exposures varies depending on how often you do this type of work. To reduce your exposure to these chemicals, work in a well-ventilated area with approved safety equipment such as dust masks specially designed to filter out microscopic particles.

IMPACT WRENCH SAFETY WARNINGS

 **WARNING!** Do not operate the power tool until you have read and understood the following instructions and the warning labels.

IMPACT WRENCH SAFETY

1. Work Environment. Do not operate the tool in wet or damp conditions; doing so significantly increases the risk of electrical shock. Do not operate the tool in the presence of flammable liquids or gases.

2. Personal Safety. Always wear ANSI Z87.1-approved glasses, hearing protection and dust mask when using the wrench. Tie back long hair. Do not wear loose clothing or jewelry as they might get drawn in by the tool.

3. Preventing Electric Shock. Only hold the tool by insulated gripping surfaces when performing an operation in case the drive contacts hidden wiring. Contacting a “live” wire may make exposed metal parts of the tool “live” and could give the operator an electric shock. Make sure to keep the drive bit away from any power cables, extension cords, or wiring during operation.

4. Tool Inspection. Before operation, check the tool for any damage or missing parts. Do not use the tool if any part is missing or damaged. Make sure all adjustments are correct and all connections are tight.

5. Standing Position. Always be sure you have a firm footing. When operating the tool from an elevated position, be aware of people or things beneath you.

6. Securing the Workpiece. Secure loose workpieces using vises or clamps to prevent wobble, damage to the workpiece, and personal injury.

7. During Operation. To prevent injury, use both hands to operate the impact wrench, placing one hand on the handle and the other hand on the housing. Keep your hands, hair and other beloved body parts away from the rotating components of the tool.

8. Turning off the Tool. Turn the tool OFF and unplug it from the power source. Do not lay the tool down until it has come to a complete stop. Do not touch the bit or the workpiece immediately after operation. They may be extremely hot and could burn your skin.

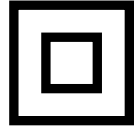
9. Making Adjustments. Always turn OFF and unplug the impact wrench before making adjustments or changing attachments. Accidental start-ups may occur if the tool is plugged in during adjustment or maintenance.

10. Hold power tool by insulated gripping surfaces, when performing an operation where the fastener may contact hidden wiring. Fasteners contacting a “live” wire may make exposed metal parts of the power tool “live” and could give the operator an electric shock.

ELECTRICAL INFORMATION

DOUBLE-INSULATED TOOL

The tool's electrical system is double-insulated where two systems of insulation are provided. This eliminates the need for the usual three-wire grounded power cord. Double-insulated tools do not need to be grounded, nor should a means for grounding be added to the product. All exposed metal parts are isolated from the internal metal components with protecting insulation.



IMPORTANT: Servicing a double-insulated product requires extreme care and knowledge of the system, and should be done only by qualified service personnel using identical replacement parts. Always use original factory replacement parts when servicing.

1. Polarized Plugs. To reduce the risk of electric shock, this equipment has a polarized plug (one blade is wider than the other). This plug will fit in a polarized outlet only one way. If the plug does not fit fully in the outlet, reverse the plug. If it still does not fit, contact a qualified electrician to install a proper outlet. Do not modify the machine plug or the extension cord in any way.

2. Ground fault circuit interrupter protection (GFCI) should be provided on the circuit or outlet used for this power tool to reduce the risk of electric shock.

3. Service and repair. To avoid danger, electrical appliances must only be repaired by a qualified service technician using original replacement parts.

GUIDELINES AND RECOMMENDATIONS FOR EXTENSION CORDS

When using an extension cord, be sure to use one heavy enough to carry the current your product will draw. An undersized cord will cause a drop in line voltage, resulting in loss of power and overheating. The table below shows the correct size to be used according to cord length and ampere rating. When in doubt, use a heavier cord. The smaller the gauge number, the heavier the cord.

AMPERAGE	REQUIRED GAUGE FOR EXTENSION CORDS			
	25 ft.	50 ft.	100 ft.	150 ft.
7.5A	18 gauge	16 gauge	14 gauge	12 gauge

1. Examine extension cord before use. Make sure your extension cord is properly wired and in good condition. Always replace a damaged extension cord or have it repaired by a qualified person before using it.

2. Do not abuse extension cord. Do not pull on cord to disconnect from receptacle; always disconnect by pulling on plug. Disconnect the extension cord from the receptacle before disconnecting the product from the extension cord. Protect your extension cords from sharp objects, excessive heat and damp/wet areas.

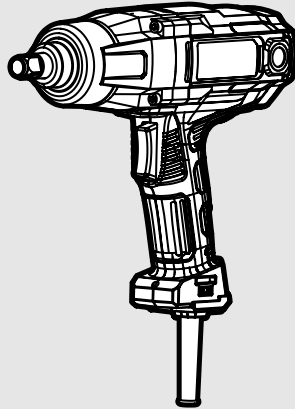
3. Use a separate electrical circuit for your tool. This circuit must not be less than a 12-gauge wire and should be protected with a 15A time-delayed fuse. Before connecting the motor to the power line, make sure the switch is in the OFF position and the electric current is rated the same as the current stamped on the motor nameplate. Running at a lower voltage will damage the motor.

UNPACKING & PACKING LIST

UNPACKING

Carefully remove the impact wrench from the packaging and place it on a sturdy, flat surface. Make sure to take out all contents and accessories. Do not discard the packaging until everything is removed. Check the packing list below to make sure you have all of the parts and accessories. If any part is missing or broken, please contact customer service at **1-847-429-9263** (M-F 8-5 CST), or email techsupport@wenproducts.com.

Components

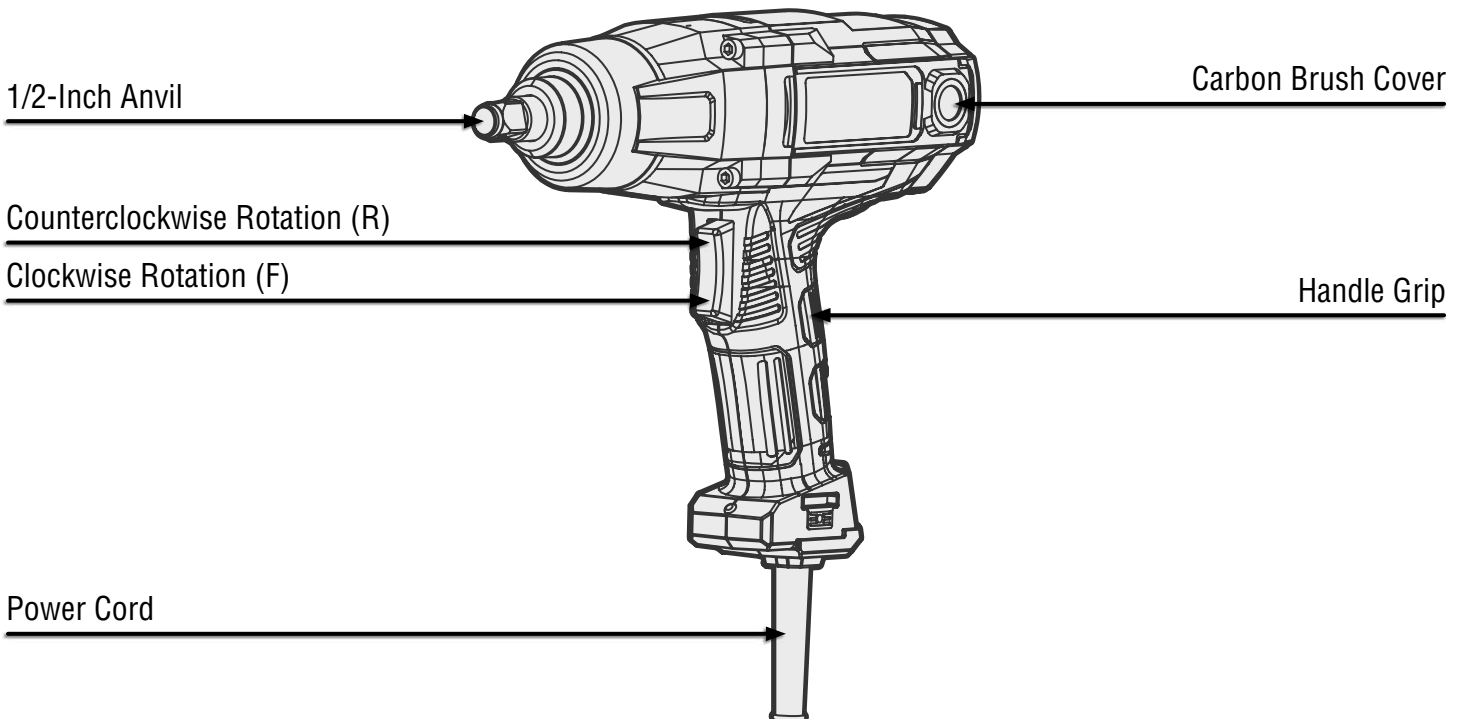


Impact Wrench

KNOW YOUR IMPACT WRENCH

TOOL PURPOSE

Deliver maximum torque with minimum effort with your WEN Impact Wrench. Refer to the following diagrams to become familiarized with all the parts and controls of your impact wrench. The components will be referred to later in the manual for assembly and operation instructions.



OPERATION

WORK AREA & WORKPIECE SET UP

1. Designate a work area that is clean and well-lit, away from possible hazards.
2. Safely route the power cord to the tool to avoid exposing the power cord to possible damage or creating a tripping hazard. The power cord must reach the work area with enough extra length to allow free movement while working.
3. Secure loose workpieces using a vise or clamps (not included) to prevent movement while working. Never hold a workpiece in your hands or across your legs.

POWER & DIRECTIONAL SWITCH

The switch (Fig. 1 - 1) of the impact wrench controls both the power and rotational direction of the anvil.

- To run the tool in a clockwise direction, press the lower part of the switch (F for forward).
- To run the tool in a counterclockwise direction, press the upper part of the switch (R for reverse).
- To turn OFF the tool, release the switch.

INSTALLING AN ACCESSORY

The impact wrench is equipped with a quick-connect 1/2-inch hog-ring anvil (Fig. 1 - 2). **To install an accessory:**

1. Turn OFF and unplug the tool.
2. Remove the plastic cover and slide the accessory over the anvil until it is secure.
3. Always make sure the accessory is securely installed before starting the impact wrench. Use only accessories intended to be used with hog-ring anvils. Accessories that can only be used with detent-pin anvils are NOT suitable for use with this tool.

REMOVING AN ACCESSORY

NOTE: The accessory may be warm or hot if it has just been used. Allow it sufficient time to cool down, if necessary.

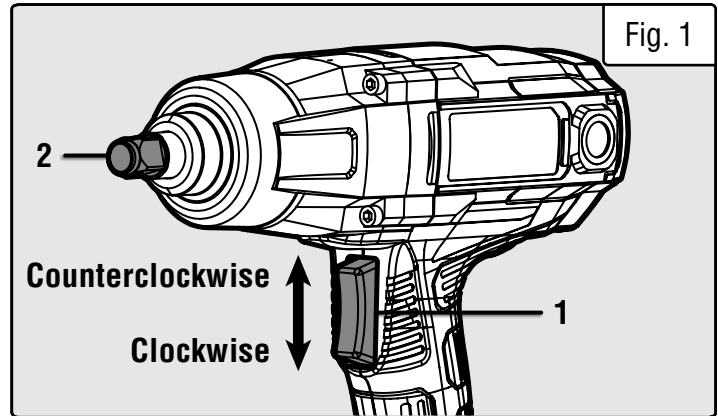
To remove an accessory:

1. Grasp the accessory and firmly pull it off.

NOTE: When your impact wrench is new, the hog ring may need to wear in, and it may be very difficult to remove accessories.

If you cannot remove an accessory by simply pulling it off:

1. Wiggle the accessory back and forth while pulling to try to work it off the anvil.



⚠ WARNING! Only use accessories rated for impact use. Use of accessories that are not rated for impact use could pose a safety hazard.

⚠ WARNING! Do not touch or hold the drive bit during use.

2. If this does not work, enlist the help of a friend or trustworthy foe to clamp the accessory in a vise. Have your assistant hold the impact wrench. Place a pin punch through the accessory and against the anvil. Use a mallet to gently tap the punch until the anvil separates from the accessory.

GENERAL OPERATION

1. Plug your tool into an appropriate power outlet.
2. Hold the tool with both hands, keeping one hand on the handle and the other hand on the front housing.
3. Turn ON the wrench by pressing the corresponding area of the switch for either clockwise (F) or counterclockwise (R) rotation.

NOTE: Check the direction of rotation before beginning your work.

4. The torque is controlled by the pressure exerted on the power switch. Use the appropriate amount of torque for the work, but do not force the tool.

NOTE: The amount of actual torque may vary depending on the condition of the threads and other factors. If tightening critical components, check the actual torque applied to the fastener with a mechanical torque wrench (not included).

5. When finished with the work, release the power switch. Wait for the tool to come to a complete stop before setting it down. Disconnect its power supply.

MAINTENANCE

⚠ WARNING! To avoid accidents, turn OFF the tool and unplug it from the power source before cleaning, adjusting, or performing any maintenance work.

⚠ WARNING! Any attempt to repair or replace electrical parts on this tool may be hazardous. Servicing of the tool must be performed by a qualified technician. When servicing, use only identical WEN replacement parts. Use of other parts may be hazardous or induce product failure.

ROUTINE INSPECTION

Before each use, inspect the general condition of the tool. If any of these following conditions exist, do not use until parts are replaced.

Check for:

- Loose hardware
- Damaged power cord
- Cracked or broken parts
- Any other condition that may affect its safe operation

CLEANING & STORAGE

1. Keep the ventilation openings free from dust and debris to prevent the motor from overheating.
2. Wipe the tool surfaces clean with a damp cloth and mild soap. Make sure water does not get into the tool.

CAUTION: Most plastics are susceptible to damage from various types of commercial solvents. Do not use any solvents or cleaning products that could damage the plastic parts. Some of these include but are not limited to: gasoline, carbon tetrachloride, chlorinated cleaning solvents, and household detergents that contain ammonia.

3. Allow the tool to cool before storing it. Store the tool in a clean and dry place away from the reach of children.

PRODUCT DISPOSAL

Used power tools should not be disposed of together with household waste. This product contains electronic components that should be recycled. Please take this product to your local recycling facility for responsible disposal and to minimize its environmental impact.

MAINTENANCE

⚠ WARNING! To avoid accidents, turn OFF the tool and unplug it from the power source before cleaning, adjusting, or performing any maintenance work.

⚠ WARNING! Any attempt to repair or replace electrical parts on this tool may be hazardous. Servicing of the tool must be performed by a qualified technician. When servicing, use only identical WEN replacement parts. Use of other parts may be hazardous or induce product failure.

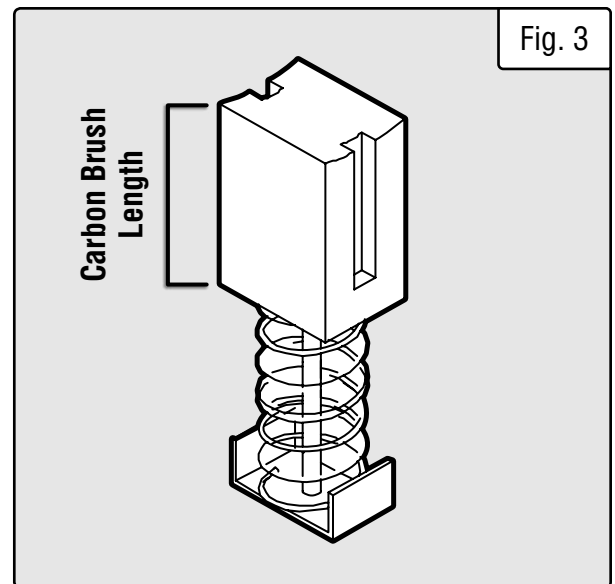
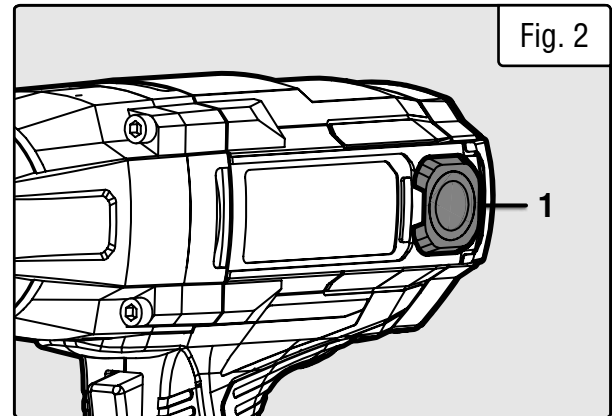
CARBON BRUSH REPLACEMENT

The wear on the carbon brushes depends on how frequently and how heavily the tool is used. To maintain maximum efficiency of the motor, we recommend inspecting the two carbon brushes every 60 hours of operation or when the tool stops working.

NOTE: Replacement carbon brushes (**Part No. 48108-032**) can be ordered at wenproducts.com. Only genuine WEN replacement brushes designed specifically for your tool should be used.

1. To access the carbon brushes, remove the carbon brush covers (Fig. 2 - 1) on the left and right side of the motor housing.
2. Carefully remove the carbon brushes using pliers. Keep track of which orientation the old carbon brushes were in to prevent needless wear if they will be reinstalled.
3. Measure the length of the brushes (Fig. 3). Replace the brushes if either carbon brush length is worn down to $\frac{3}{16}$ of an inch. Both carbon brushes should be replaced at the same time.
4. Install the carbon brushes and the carbon brush covers.

NOTE: New carbon brushes tend to spark for a few minutes during the first use as they wear down.



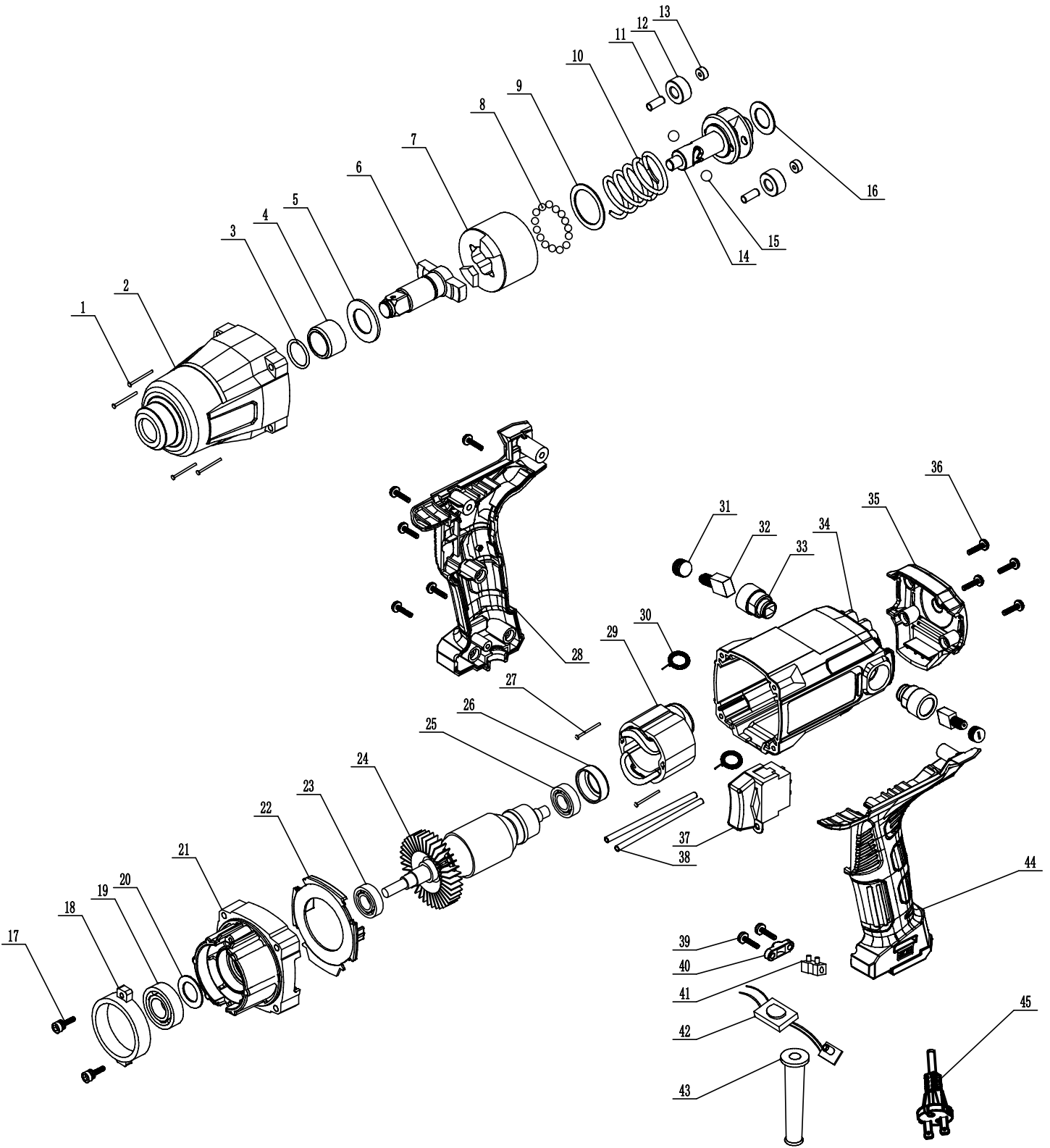
TROUBLESHOOTING GUIDE

⚠ WARNING! Stop using the tool immediately if any of the following problems occur. Repairs and replacements should only be performed by an authorized technician. For any questions, please contact our customer service at **1-847-429-9263**, M-F 8-5 CST or email us at **techsupport@wenproducts.com**.

PROBLEM	CAUSE	SOLUTION
Motor does not start	Power cord damaged or not properly plugged in.	Check the power cord, extension cord, power plug and the power outlet. Make sure the outlet is functional. Do not use the tool if any cord is damaged.
	Defective power switch.	Stop using the tool and contact customer service at 1-847-429-9263 , M-F 8-5 CST for assistance.
	Insufficient power from power outlet.	Make sure the outlet is functional and is the right capacity for the tool.
	Carbon brushes (48108-032) are worn.	Inspect and replace carbon brushes as needed (see p. 11). Replacement brushes (48108-032) can be ordered from wenproducts.com .
	Defective Motor.	Stop using the tool and contact customer service at 1-847-429-9263 , M-F 8-5 CST for assistance.
Excessive noise or vibration	Internal damage or wear.	Contact customer service at 1-847-429-9263 , M-F 8-5 CST for assistance.
Overheating	Tool forced to work too fast.	Do not force the tool and let it work at its own pace.
	The extension cord is too long or too thin	See p. 7 for selecting the proper size of extension cord for your tool.
	Blocked motor housing vents	Blow dust out of the motor housing vents while wearing safety goggles and dust mask.
Ineffective Performance	Drive bits worn or damaged.	Replace bits as needed.
	Carbon brushes (48108-032) are worn.	Inspect and replace carbon brushes as needed (see p. 11). Replacement brushes (48108-032) can be ordered from wenproducts.com .

NOTE: Parts that wear down over the course of normal use (like accessories, carbon brushes, etc.) are not covered by the two-year warranty. Repairs and replacements should only be performed by an authorized technician.

EXPLODED VIEW & PARTS LIST



EXPLODED VIEW & PARTS LIST

No.	Part No.	Description	Qty.	No.	Part No.	Description	Qty.
1	48108-001	Self-Tapping Screw, ST5x45	4	25	48108-025	Bearing, 608-2RS	1
2	48108-002	Head Housing	1	26	48108-026	Bearing Cap	1
3	48108-003	Seal Ring, 24 x 18 x 2	1	27	48108-027	Self-tapping Screw, ST3.9x60	2
4	48108-004	Bushing	1	28	48108-028	Handle, Right	1
5	48108-005	Anvil Washer	1	29	48108-029	Stator	1
6	48108-006	Anvil	1	30	48108-030	Tension Spring	2
7	48108-007	Hammer	1	31	48108-031	Carbon Brush Cover	2
8	48108-008	Ball Bearing, 4mm	24	32	48108-032	Carbon Brush	2
9	48108-009	Hammer Washer	1	33	48108-033	Brush Holder	2
10	48108-010	Spring	1	34	48108-034	Housing	1
11	48108-011	Pin, 6x15	2	35	48108-035	Rear Cover	1
12	48108-012	Planetary Gear	2	36	48108-036	Self-tapping Screw, ST3.9x16	9
13	48108-013	Steel Sleeve	2	37	48108-037	Switch	1
14	48108-014	Hammer Shaft	1	38	48108-038	Stator Mounting Screw	2
15	48108-015	Ball Bearing, 5.5mm	2	39	48108-039	Self-tapping Screw, ST3.9x14	2
16	48108-016	Washer, 15 x 24.5 x 1	1	40	48108-040	Cable Clamping Plate	1
17	48108-017	Screw, M4x18	2	41	48108-041	Terminal Block	1
18	48108-018	Planetary Ring Gear	1	42	48108-042	LED and PCB Assembly	1
19	48108-019	Bearing, 6002-2Z	1	43	48108-043	Strain Relief	1
20	48108-020	Seal Washer	1	44	48108-044	Handle, Left	1
21	48108-021	Motor Cover	1	45	48108-045	Power Cord	1
22	48108-022	Air Baffle	1				
23	48108-023	Bearing, 6000-2Z	1				
24	48108-024	Rotor	1				

NOTE: Not all parts may be available for purchase. Parts and accessories that wear down over the course of normal use are not covered under the warranty.

WARRANTY STATEMENT

WEN Products is committed to building tools that are dependable for years. Our warranties are consistent with this commitment and our dedication to quality.

LIMITED WARRANTY OF WEN PRODUCTS FOR HOME USE

GREAT LAKES TECHNOLOGIES, LLC (“Seller”) warrants to the original purchaser only, that all WEN consumer power tools will be free from defects in material or workmanship during personal use for a period of two (2) years from date of purchase or 500 hours of use; whichever comes first. Ninety days for all WEN products if the tool is used for professional or commercial use. Purchaser has 30 days from the date of purchase to report missing or damaged parts.

SELLER’S SOLE OBLIGATION AND YOUR EXCLUSIVE REMEDY under this Limited Warranty and, to the extent permitted by law, any warranty or condition implied by law, shall be the replacement of parts, without charge, which are defective in material or workmanship and which have not been subjected to misuse, alteration, careless handling, misrepair, abuse, neglect, normal wear and tear, improper maintenance, or other conditions adversely affecting the Product or the component of the Product, whether by accident or intentionally, by persons other than Seller. To make a claim under this Limited Warranty, you must make sure to keep a copy of your proof of purchase that clearly defines the Date of Purchase (month and year) and the Place of Purchase. Place of Purchase must be a direct vendor of Great Lakes Technologies, LLC. Purchasing through third party vendors, including but not limited to garage sales, pawn shops, resale shops, or any other secondhand merchant, voids the warranty included with this product. Contact techsupport@wenproducts.com or 1-847-429-9263 with the following information to make arrangements: your shipping address, phone number, serial number, required part numbers, and proof of purchase. Damaged or defective parts and products may need to be sent to WEN before the replacements can be shipped out.

Upon the confirmation of a WEN representative, your product may qualify for repairs and service work. When returning a product for warranty service, the shipping charges must be prepaid by the purchaser. The product must be shipped in its original container (or an equivalent), properly packed to withstand the hazards of shipment. The product must be fully insured with a copy of the proof of purchase enclosed. There must also be a description of the problem in order to help our repairs department diagnose and fix the issue. Repairs will be made and the product will be returned and shipped back to the purchaser at no charge for addresses within the contiguous United States.

THIS LIMITED WARRANTY DOES NOT APPLY TO ITEMS THAT WEAR OUT FROM REGULAR USAGE OVER TIME, INCLUDING BELTS, BRUSHES, BLADES, BATTERIES, ETC. ANY IMPLIED WARRANTIES SHALL BE LIMITED IN DURATION TO TWO (2) YEARS FROM DATE OF PURCHASE. SOME STATES IN THE U.S. AND SOME CANADIAN PROVINCES DO NOT ALLOW LIMITATIONS ON HOW LONG AN IMPLIED WARRANTY LASTS, SO THE ABOVE LIMITATION MAY NOT APPLY TO YOU.

IN NO EVENT SHALL SELLER BE LIABLE FOR ANY INCIDENTAL OR CONSEQUENTIAL DAMAGES (INCLUDING BUT NOT LIMITED TO LIABILITY FOR LOSS OF PROFITS) ARISING FROM THE SALE OR USE OF THIS PRODUCT. SOME STATES IN THE U.S. AND SOME CANADIAN PROVINCES DO NOT ALLOW THE EXCLUSION OR LIMITATION OF INCIDENTAL OR CONSEQUENTIAL DAMAGES, SO THE ABOVE LIMITATION OR EXCLUSION MAY NOT APPLY TO YOU.

THIS LIMITED WARRANTY GIVES YOU SPECIFIC LEGAL RIGHTS, AND YOU MAY ALSO HAVE OTHER RIGHTS WHICH VARY FROM STATE TO STATE IN THE U.S., PROVINCE TO PROVINCE IN CANADA AND FROM COUNTRY TO COUNTRY.

THIS LIMITED WARRANTY APPLIES ONLY TO ITEMS SOLD WITHIN THE UNITED STATES OF AMERICA, CANADA AND THE COMMONWEALTH OF PUERTO RICO. FOR WARRANTY COVERAGE WITHIN OTHER COUNTRIES, CONTACT THE WEN CUSTOMER SUPPORT LINE. FOR WARRANTY PARTS OR PRODUCTS REPAIRED UNDER WARRANTY SHIPPING TO ADDRESSES OUTSIDE OF THE CONTIGUOUS UNITED STATES, ADDITIONAL SHIPPING CHARGES MAY APPLY.

**THANKS FOR
REMEMBERING**  [®]