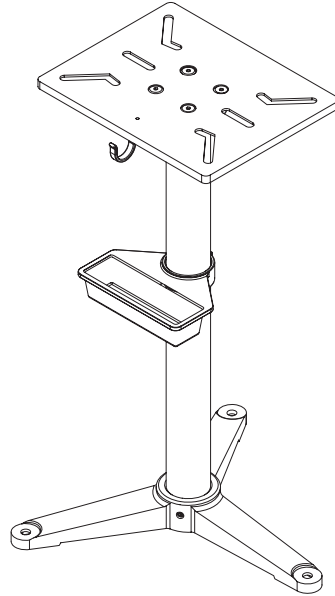




CAST IRON BENCH GRINDER PEDESTAL STAND



For replacement parts visit
WENPRODUCTS.COM

Model # 4288
bit.ly/WENvideo

IMPORTANT:

Your new tool has been engineered and manufactured to WEN's highest standards for dependability, ease of operation, and operator safety. When properly cared for, this product will supply you years of rugged, trouble-free performance. Pay close attention to the rules for safe operation, warnings, and cautions. If you use your tool properly and for its intended purpose, you will enjoy years of safe, reliable service.



NEED HELP? CONTACT US!

Have product questions? Need technical support?
Please feel free to contact us at:

 **800-232-1195** (M-F 8AM-5PM CST)

 techsupport@wenproducts.com

 **WENPRODUCTS.COM**

NOTICE: Please refer to wenproducts.com for the most up-to-date instruction manual.

TABLE OF CONTENTS

Technical Data	2
Introduction	3
General Safety Rules	4
Specific Rules for Bench Grinder Stand	4
Unpacking	5
Assembly	6
Exploded View and Parts List	6
Warranty	7

TECHNICAL DATA

Model Number:	4288
Base Length:	16-1/2 in.
Base Width:	14-1/2 in.
Height:	31-1/2 in.
Top Length:	12-3/8 in.
Top Width:	9-7/8 in.
Net Weight:	13.6 pounds
Product Dimensions:	16-1/2 x 14-1/2 x 31-1/2 in.

Compatible with:

- WEN 4276 6-Inch Bench Grinder
- WEN 4282 4.8-Amp 8" Bench Grinder with LED Work Lights and Quenching Tray
- WEN 4286 8-Inch Slow Speed Bench Grinder

INTRODUCTION

Thanks for purchasing a WEN Cast Iron Bench Grinder Pedestal Stand with Water Pot. We know you are excited to mount your favorite bench grinder onto the stand and prevent walking and wobbling during operation. The cast iron top is provided with slots and holes for securely mounting a bench grinder. A water pot is provided for quenching workpiece after grinding. Please take a moment to read through this manual. It contains important information regarding the safe operation and assembly of this product. Please keep this manual available to all users during the entire life of the bench grinder stand.



This manual contains special messages to bring attention to potential safety concerns, as well as helpful assembly and operating information. Please read all the information carefully to avoid injury and machine damage.

QUESTIONS? PROBLEMS?

In order to answer questions and solve problems in the most efficient and speedy manner, please contact our Customer Service at (800) 232-1195, M-F 8-5 CST. You may also email techsupport@wenproducts.com.

Read and observe all warnings, cautions, and instructions in this manual before the assembly and operation of this bench grinder stand. Failure to follow instructions and safety information could result in serious injury.

NOTE: The following safety information is not meant to cover all possible conditions and situations that may occur. WEN reserves the right to change this product and specifications at any time without prior notice.

GENERAL SAFETY RULES

Safety is a combination of common sense, staying alert and knowing how your item works.

SAVE THESE SAFETY INSTRUCTIONS.



WARNING! Read all safety warnings and all instructions. Failure to follow the warnings and instructions may result in electric shock, fire and serious injury. To avoid mistakes and serious injury, do not plug in your tool until the following steps have been read and understood. Safety instructions can't account for all possibilities, so use your best judgment when using this tool to best prevent injury.

WORK AREA SAFETY

1. Keep work area clean and well lit. Cluttered or dark areas invite accidents. Do not work on floor surfaces that are slippery with sawdust or wax.
2. Do not operate power tools in explosive atmospheres, such as in the presence of flammable liquids, gases or dust. Power tools create sparks which may ignite the dust or fumes.
3. Keep bystanders at a safe distance from the work area. Never allow children or pets near the tool.

PERSONAL SAFETY

1. Stay alert. Watch what you are doing and use common sense when operating a power tool. Do not use a power tool while you are tired or under the influence of drugs, alcohol or medication. A moment of inattention while operating power tools may result in serious personal injury.
2. Use personal protective equipment. Always wear safety goggles at all times that comply with ANSI Z87.1. Use ear protection such as plugs or muffs during extended periods of operation. Wear work gloves to protect your hands. Wear a face mask or dust mask to fight the dust.
3. Do not wear loose clothing, gloves, neckties, or jewelry (rings, watches, etc.) when operating the tool. Inappropriate clothing and items can get caught in moving parts and draw you in. Always wear non-slip footwear and tie back long hair.

SPECIFIC RULES FOR THE BENCH GRINDER STAND

1. Place the bench grinder stand on a flat and level surface to prevent rocking or tipping.
2. Do not climb, sit or stand on the stand.
3. Follow the assembly instructions carefully when installing the stand.
4. This product is designed to be used as a stand for bench grinders. Any misuse or abuse of the stand can result in product damage or personal injury.
5. The height of the power tool mounted to the stand should not exceed the width of the tool in order to prevent the stand from tipping over. The power tool must be centered and properly secured to the bench grinder stand. Always check to make sure the stand and the power tool are stable before operation.
6. Before attempting to use a bench grinder on the stand, make sure the stand is resting firmly on the floor.
7. Keep proper footing and balance at all times. Do not overreach when operating the bench grinder.

UNPACKING

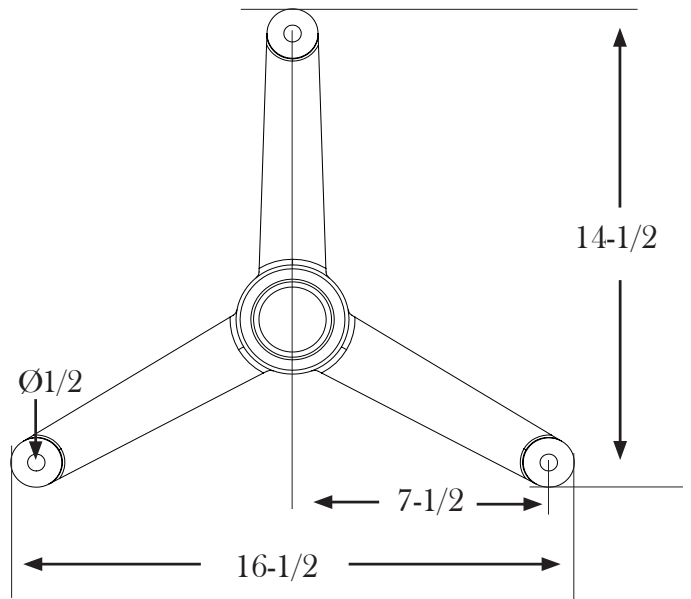
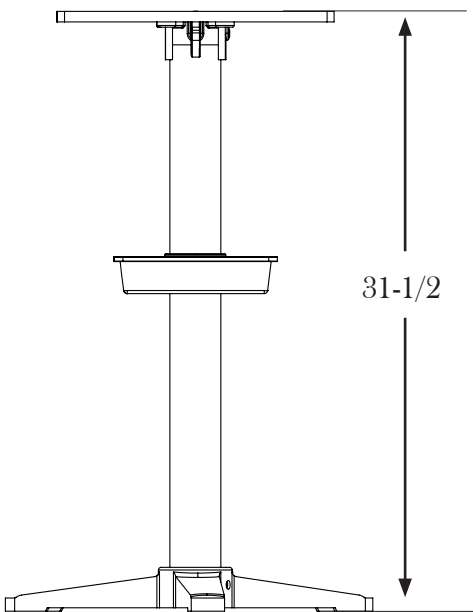
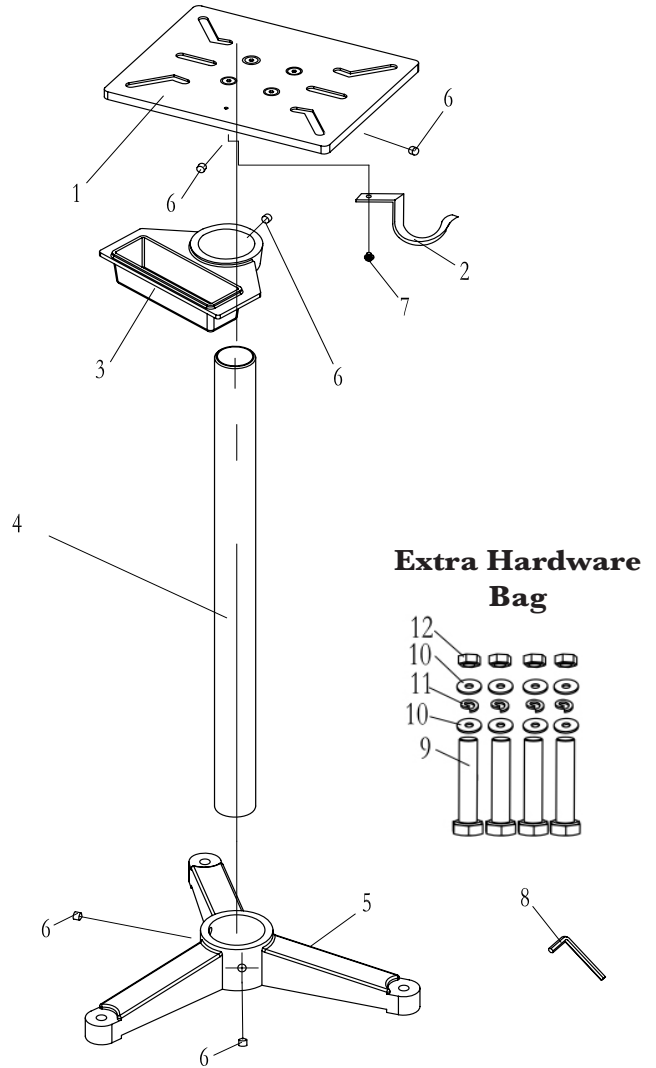
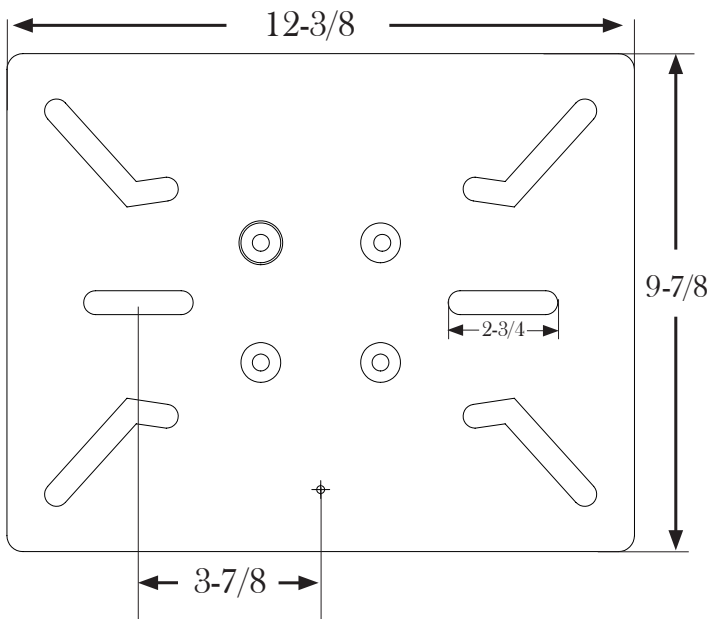
Carefully remove the tool and any accessories from the box. Make sure that all items listed in the packing list are included. If any part is damaged or missing, please contact our customer service at (800) 232-1195, M-F 8-5 CST.

PACKAGING LIST

The following items are included with the tool:

COMPONENTS

- | | |
|-----------------------|---------------------------------|
| 1. Top Plate | 7. M4x8 Phillips Pan Head Screw |
| 2. Hook | 8. 5 mm Inner Hex Wrench |
| 3. Water Pot Assembly | 9. Hex Bolt M8x50 |
| 4. Column | 10. Flat Washer D8 |
| 5. Base | 11. Spring Washer D8 |
| 6. Set Screw M10x10 | 12. Hex Nut M8 |

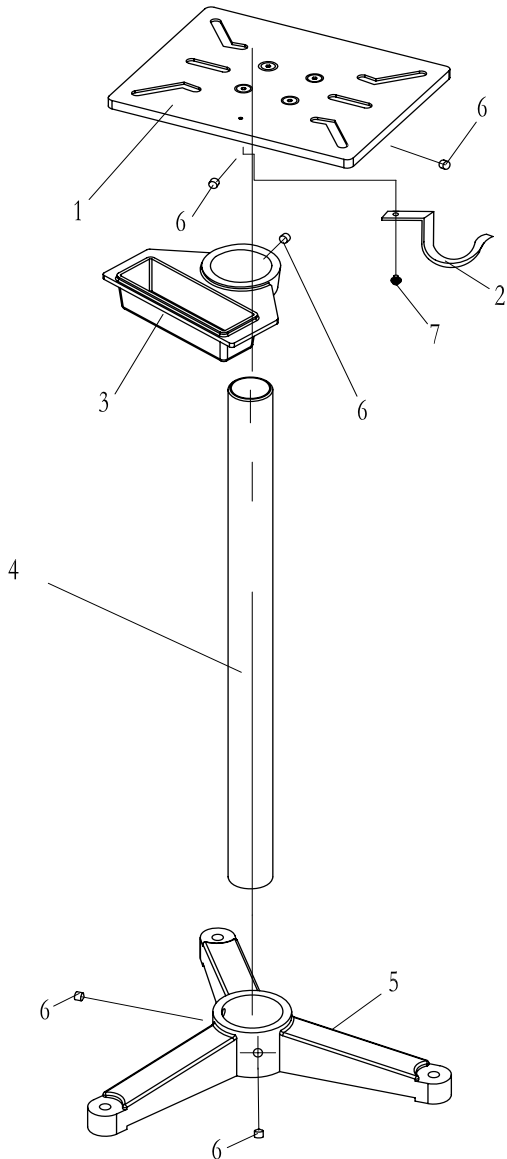


ASSEMBLY

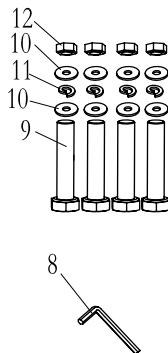
NOTE: The set screws (6) have been pre-installed on the pedestal. The extra hardware bag is provided for mounting a bench grinder onto the pedestal stand.

1. Slide the column (4) into the base (5); secure by tightening the set screws (6) against the column, using the included hex wrench.
2. Slide the water pot assembly (3) over the column (4). Tighten the set screw (6) to secure the water pot assembly.
3. Slide the top plate (1) over the column and secure with set screws (6). Set screws can be found pre-installed in the base of the top plate.
4. Secure the base to the floor for maximum stability and safety. (Hardware not included)
5. Attach the hook (2) using the included phillips pan-head screw (7) and flat washer (10).

EXPLODED VIEW AND PARTS LIST



No.	Part No.	Description	Qty
1	4288-001	Top Plate	1
2	4288-002	Hook	1
3	4288-003	Water Pot Assembly	1
4	4288-004	Column	1
5	4288-005	Base	1
6	4288-006	Set Screw M10x10	5
7	4288-007	M4x8 Phillips Pan Head Screw	1
8	4288-008	5 mm Inner Hex Wrench	1
9	4288-009	Hex Bolt M8x50	4
10	4288-010	Flat Washer D8	8
11	4288-011	Spring Washer D8	4
12	4288-012	Hex Nut M8	4



LIMITED ONE YEAR WARRANTY

WEN Products is committed to building tools that are dependable for years. Our warranties are consistent with this commitment and our dedication to quality.

LIMITED WARRANTY OF WEN CONSUMER POWER TOOLS PRODUCTS FOR HOME USE

GREAT LAKES TECHNOLOGIES, LLC (“Seller”) warrants to the original purchaser only, that all WEN consumer power tools will be free from defects in material or workmanship for a period of one (1) year from date of purchase. Ninety days for all WEN products, if the tool is used for professional use.

SELLER’S SOLE OBLIGATION AND YOUR EXCLUSIVE REMEDY under this Limited Warranty and, to the extent permitted by law, any warranty or condition implied by law, shall be the repair or replacement of parts, without charge, which are defective in material or workmanship and which have not been misused, carelessly handled, or misrepaired by persons other than Seller or Authorized Service Center. To make a claim under this Limited Warranty, you must make sure to keep a copy of your proof of purchase that clearly defines the Date of Purchase (month and year) and the Place of Purchase. Place of purchase must be a direct vendor of Great Lakes Technologies, LLC. Third party vendors such as garage sales, pawn shops, resale shops, or any other secondhand merchant void the warranty included with this product. Contact techsupport@wenproducts.com or 1-800-232-1195 to make arrangements for repairs and transportation.

When returning a product for warranty service, the shipping charges must be prepaid by the purchaser. The product must be shipped in its original container (or an equivalent), properly packed to withstand the hazards of shipment. The product must be fully insured with a copy of the warranty card and/or the proof of purchase enclosed. There must also be a description of the problem in order to help our repairs department diagnose and fix the issue. Repairs will be made and the product will be returned and shipped back to the purchaser at no charge.

THIS LIMITED WARRANTY DOES NOT APPLY TO ACCESSORY ITEMS THAT WEAR OUT FROM REGULAR USAGE OVER TIME INCLUDING BELTS, BRUSHES, BLADES, ETC.

ANY IMPLIED WARRANTIES SHALL BE LIMITED IN DURATION TO ONE (1) YEAR FROM DATE OF PURCHASE. SOME STATES IN THE U.S., SOME CANADIAN PROVINCES DO NOT ALLOW LIMITATIONS ON HOW LONG AN IMPLIED WARRANTY LASTS, SO THE ABOVE LIMITATION MAY NOT APPLY TO YOU.

IN NO EVENT SHALL SELLER BE LIABLE FOR ANY INCIDENTAL OR CONSEQUENTIAL DAMAGES (INCLUDING BUT NOT LIMITED TO LIABILITY FOR LOSS OF PROFITS) ARISING FROM THE SALE OR USE OF THIS PRODUCT. SOME STATES IN THE U.S. AND SOME CANADIAN PROVINCES DO NOT ALLOW THE EXCLUSION OR LIMITATION OF INCIDENTAL OR CONSEQUENTIAL DAMAGES, SO THE ABOVE LIMITATION OR EXCLUSION MAY NOT APPLY TO YOU.

THIS LIMITED WARRANTY GIVES YOU SPECIFIC LEGAL RIGHTS, AND YOU MAY ALSO HAVE OTHER RIGHTS WHICH VARY FROM STATE TO STATE IN THE U.S., PROVINCE TO PROVINCE IN CANADA AND FROM COUNTRY TO COUNTRY.

THIS LIMITED WARRANTY APPLIES ONLY TO PORTABLE ELECTRIC TOOLS, BENCH POWER TOOLS, OUTDOOR POWER EQUIPMENT AND PNEUMATIC TOOLS SOLD WITHIN THE UNITED STATES OF AMERICA, CANADA AND THE COMMONWEALTH OF PUERTO RICO. FOR WARRANTY COVERAGE WITHIN OTHER COUNTRIES, CONTACT THE WEN CUSTOMER SUPPORT LINE.

**THANKS FOR
REMEMBERING**

