



MODEL 40439, 40439BT

40V MAX LITHIUM ION LAWN MOWER

Instruction Manual



NEED HELP? CONTACT US!

Have product questions? Need technical support? Please feel free to contact us:



1-800-232-1195 (M-F 8AM-5PM CST)



TECHSUPPORT@WENPRODUCTS.COM

IMPORTANT: Your new tool has been engineered and manufactured to WEN's highest standards for dependability, ease of operation, and operator safety. When properly cared for, this product will supply you years of rugged, trouble-free performance. Pay close attention to the rules for safe operation, warnings, and cautions. If you use your tool properly and for its intended purpose, you will enjoy years of safe, reliable service.

For replacement parts and the most up-to-date instruction manuals, visit ***WENPRODUCTS.COM***

CONTENTS

WELCOME	3
Introduction	3
Specifications.....	3
SAFETY	4
General Safety Rules.....	4
Specific Rules for Lawn Mowers.....	6
Battery & Charger Instructions	7
Electrical Information.....	10
BEFORE OPERATING	11
Know Your Lawn Mower	11
Assembly & Adjustment.....	11
OPERATION & MAINTENANCE	14
Operation	14
Maintenance.....	15
Storage	17
Exploded View & Parts List.....	18
Warranty Statement	21

INTRODUCTION

Thanks for purchasing the WEN Lawn Mower. We know you are excited to put your tool to work, but first, please take a moment to read through the manual. Safe operation of this tool requires that you read and understand this operator's manual and all the labels affixed to the tool. This manual provides information regarding potential safety concerns, as well as helpful assembly and operating instructions for your tool.

⚠ SAFETY ALERT SYMBOL: Indicates danger, warning, or caution. The safety symbols and the explanations with them deserve your careful attention and understanding. Always follow the safety precautions to reduce the risk of fire, electric shock or personal injury. However, please note that these instructions and warnings are not substitutes for proper accident prevention measures.

NOTE: The following safety information is not meant to cover all possible conditions and situations that may occur. WEN reserves the right to change this product and specifications at any time without prior notice.

At WEN, we are continuously improving our products. If you find that your tool does not exactly match this manual, please visit wenproducts.com for the most up-to-date manual or contact our customer service at **1-800-232-1195**.

Keep this manual available to all users during the entire life of the tool and review it frequently to maximize safety for both yourself and others.

SPECIFICATIONS

Model Number	40439, 40439BT
Motor	40V Motor
Speed	2850 RPM
Cutting Height	1.5 inches to 4 inches
Battery	40V Max Lithium Ion, 2 Ah & 4 Ah
Charger Input	100-120V AC, 60Hz, 100W
Charger Output	42V DC, 2A
Blade Size	17.7 inches (450 mm)
Blade Model Number	40439-100
Battery Model	40401 (2Ah) and 40404 (4Ah)
Charger Model	40400

NOTE: Model 40439BT does not include battery or charger.

WEN plans to continue to add more and more items to our 40V line. For an up-to-date list of the 40V cordless tools compatible with the included battery and charger, visit wenproducts.com and search model number 40401 (2 Ah) or 40404 (4 Ah). In the battery's description, there will be a list of current products that this battery can be used with.

GENERAL SAFETY RULES

⚠ WARNING! Read all safety warnings and all instructions. Failure to follow the warnings and instructions may result in electric shock, fire and/or serious injury.

Safety is a combination of common sense, staying alert and knowing how your item works. The term “power tool” in the warnings refers to your mains-operated (corded) power tool or battery-operated (cordless) power tool.

SAVE THESE SAFETY INSTRUCTIONS.

WORK AREA SAFETY

- 1. Keep work area clean and well lit.** Cluttered or dark areas invite accidents.
- 2. Do not operate power tools in explosive atmospheres, such as in the presence of flammable liquids, gases or dust.** Power tools create sparks which may ignite the dust or fumes.
- 3. Keep children and bystanders away while operating a power tool.** Distractions can cause you to lose control.

ELECTRICAL SAFETY

- 1. Power tool plugs must match the outlet. Never modify the plug in any way. Do not use any adapter plugs with earthed (grounded) power tools.** Unmodified plugs and matching outlets will reduce risk of electric shock.
- 2. Avoid body contact with earthed or grounded surfaces such as pipes, radiators, ranges and refrigerators.** There is an increased risk of electric shock if your body is earthed or grounded.
- 3. Do not expose power tools to rain or wet conditions.** Water entering a power tool will increase the risk of electric shock.
- 4. Do not abuse the cord. Never use the cord for carrying, pulling or unplugging the power tool. Keep cord away from heat, oil, sharp edges or moving parts.** Damaged or entangled cords increase the risk of electric shock.
- 5. When operating a power tool outdoors, use an extension cord suitable for outdoor use.** Use of a cord suitable for outdoor use reduces the risk of electric shock.

6. If operating a power tool in a damp location is unavoidable, use a ground fault circuit interrupter (GFCI) protected supply. Use of a GFCI reduces the risk of electric shock.

PERSONAL SAFETY

- 1. Stay alert, watch what you are doing and use common sense when operating a power tool. Do not use a power tool while you are tired or under the influence of drugs, alcohol or medication.** A moment of inattention while operating power tools may result in serious personal injury.
- 2. Use personal protective equipment. Always wear eye protection.** Protective equipment such as a respiratory mask, non-skid safety shoes and hearing protection used for appropriate conditions will reduce the risk of personal injury.
- 3. Prevent unintentional starting. Ensure the switch is in the off-position before connecting to power source and/or battery pack, picking up or carrying the tool.** Carrying power tools with your finger on the switch or energizing power tools that have the switch on invites accidents.
- 4. Remove any adjusting key or wrench before turning the power tool on.** A wrench or a key left attached to a rotating part of the power tool may result in personal injury.
- 5. Do not overreach. Keep proper footing and balance at all times.** This enables better control of the power tool in unexpected situations.
- 6. Dress properly. Do not wear loose clothing or jewelry. Keep your hair and clothing away from moving parts.** Loose clothes, jewelry or long hair can be caught in moving parts.

GENERAL SAFETY RULES

⚠ WARNING! Read all safety warnings and all instructions. Failure to follow the warnings and instructions may result in electric shock, fire and/or serious injury.

Safety is a combination of common sense, staying alert and knowing how your item works. The term “power tool” in the warnings refers to your mains-operated (corded) power tool or battery-operated (cordless) power tool.

SAVE THESE SAFETY INSTRUCTIONS.

7. If devices are provided for the connection of dust extraction and collection facilities, ensure these are connected and properly used. Use of dust collection can reduce dust-related hazards.

POWER TOOL USE AND CARE

1. Do not force the power tool. Use the correct power tool for your application. The correct power tool will do the job better and safer at the rate for which it was designed.

2. Do not use the power tool if the switch does not turn it on and off. Any power tool that cannot be controlled with the switch is dangerous and must be repaired.

3. Disconnect the plug from the power source and/or the battery pack from the power tool before making any adjustments, changing accessories, or storing power tools. Such preventive safety measures reduce the risk of starting the power tool accidentally.

4. Store idle power tools out of the reach of children and do not allow persons unfamiliar with the power tool or these instructions to operate the power tool. Power tools are dangerous in the hands of untrained users.

5. Maintain power tools. Check for misalignment or binding of moving parts, breakage of parts and any other condition that may affect the power tool's operation. If damaged, have the power tool repaired before use. Many accidents are caused by poorly maintained power tools.

6. Keep cutting tools sharp and clean. Properly maintained cutting tools with sharp cutting edges are less likely to bind and are easier to control.

7. Use the power tool, accessories and tool bits, etc. in accordance with these instructions, taking into account the working conditions and the work to be performed. Use of the power tool for operations different from those intended could result in a hazardous situation.

8. Use clamps to secure your workpiece to a stable surface. Holding a workpiece by hand or using your body to support it may lead to loss of control.

9. KEEP GUARDS IN PLACE and in working order.

SERVICE

1. Have your power tool serviced by a qualified repair person using only identical replacement parts. This will ensure that the safety of the power tool is maintained.

CALIFORNIA PROPOSITION 65 WARNING

Some dust created by power sanding, sawing, grinding, drilling, and other construction activities may contain chemicals, including lead, known to the State of California to cause cancer, birth defects, or other reproductive harm. Wash hands after handling. Some examples of these chemicals are:

- Lead from lead-based paints.
- Crystalline silica from bricks, cement, and other masonry products.
- Arsenic and chromium from chemically treated lumber.

Your risk from these exposures varies depending on how often you do this type of work. To reduce your exposure to these chemicals, work in a well-ventilated area with approved safety equipment such as dust masks specially designed to filter out microscopic particles.

SPECIFIC RULES FOR LAWN MOWERS

⚠ WARNING! Do not let comfort or familiarity with product (gained from repeated use) replace strict adherence to product safety rules. If you use this tool incorrectly, you can suffer serious personal injury!

1. Only operate the mower with the entire grass catcher discharge guard, rear guard, and the other safety devices of the lawn mower are in place and functional.
2. Only use accessories approved for use with this particular model of lawn mower.
3. Do not mow on either wet grass or steep slippery slopes. Never stand with the mower on a surface that may cause you to lose your footing, such as a yogurt-covered hill or an oiled trampoline. Do not run with the mower.
4. Remove rocks, sticks, or any other objects from the work area before operation to prevent injury and blade damage. Always stand behind the handle when the motor is running. Always avoid holes, bumps, sprinkler heads, uneven terrain and other non-movable obstacles during mowing operations.
5. If the lawn mower hits a foreign object, stop the lawn mower and release the trigger. Remove both the switch key and the battery. Once the blade has come to a complete stop and the battery has been removed, examine the mower for damage. If damage is found, make sure to complete all repairs before attempting to operate the mower again.
6. Use extra care when approaching corners that you can't see around. Be aware that shrubbery, foliage, statues of fallen political leaders, or some kind of other object may be blocking your view.
7. Do not mow near any steep drop-offs such as cliffs, ditches, etc.
8. Use caution when mowing hills. Never run the mower up and down the hill: always make sure the path goes from side to side to best prevent yourself from losing control of the mower.
9. Never pull the mower backwards unless absolutely necessary. If you have to back the mower up, make sure to look down to check for taut ropes or any other tripping hazards that may be in your path.
10. Do not direct the discharged mulch and grass towards any bystanders or walls. Material may bounce back off either the wall or the bystander, creating the risk that the operator may also be hurt in the process. Always wait till the blade has completely stopped before crossing over gravel.
11. If the chute becomes clogged, stop the mower, remove the switch key and battery and wait for the blade to come to a complete stop before attempting to clear anything from the chute.
12. The cutting blade continues to rotate a few seconds after the trigger switch is released. Always keep this in mind when making adjustments.
13. If the mower begins vibrating, stop the motor and diagnose the issue.
14. Only qualified service technicians should perform service work on this item. Before attempting to make any adjustments or repairs, contact the WEN Products customer help line at 1-800-232-1195 for more information.
15. Use only identical replacement parts during service work. Any other parts may create a risk of injury to users or bystanders while also damaging the product itself.

BATTERY & CHARGER INSTRUCTIONS

Despite all the safety precautions, caution must always be exercised when handling batteries. The following points must be obeyed at all times to ensure safe use. Safe use can only be guaranteed if undamaged cells are used. Incorrect handling of the battery pack can cause cell damage.

- **Avoid dangerous environments** – Do not charge the battery pack in rain, snow or in damp or wet locations.

Do not use the battery pack or charger in the presence of explosive atmospheres (gaseous fumes, dust or flammable materials) because sparks may be generated when inserting or removing the battery pack, which could lead to a fire.

- **Charge in a well-ventilated area** – Do not block the charger vents. Keep them clear to allow for proper ventilation. Do not allow smoking or open flames near a charging battery pack. Vented gases may explode.

NOTE: The safe temperature range for the battery charging is -4°F to 113°F. Do not charge the battery outside in freezing weather; charge it at room temperature.


- **Maintain charger cord** – When unplugging the charger, pull the plug, not the cord, from the receptacle to reduce the risk of damage to the electrical plug and cord. Never carry the charger by its cord or yank it by the cord to disconnect it from the receptacle. Keep the cord away from heat, oil and sharp edges. Make sure the cord will not be stepped on, tripped over or subjected to damage or stress when the charger is in use. Do not use the charger with a damaged cord or plug. Replace a damaged charger immediately.

- **Do not use an extension cord unless it is absolutely necessary** – Using the wrong, damaged or improperly wired extension cord poses a risk of fire and electric shock. If an extension cord must be used, plug the charger into a properly wired 16 gauge or larger extension cord with the female plug matching the male plug on the charger. Make sure that the extension cord is in good electrical condition.

- **Charger is rated for 120 volt AC only** – The charger must be plugged into an appropriate receptacle.

- **Use only recommended attachments** – Use of an attachment not recommended or sold by WEN Products may result in risk of fire, electric shock or personal injury.

- **Unplug charger when not in use** – Make sure to remove battery packs from unplugged chargers.

 **WARNING!** Despite all the safety precautions, caution must always be exercised when handling batteries. The following points must be obeyed at all times to ensure safe use. Safe use can only be guaranteed if undamaged cells are used. Incorrect handling of the battery pack can cause cell damage.

- **Avoid dangerous environments** – Do not charge the battery pack in rain, snow or in damp or wet locations.

Do not use the battery pack or charger in the presence of explosive atmospheres (gaseous fumes, dust or flammable materials) because sparks may be generated when inserting or removing the battery pack, which could lead to a fire.

- **Charge in a well-ventilated area** – Do not block the charger vents. Keep them clear to allow for proper ventilation. Do not allow smoking or open flames near a charging battery pack. Vented gases may explode.


NOTE: The safe temperature range for the battery charging is -4°F to 113°F. Do not charge the battery outside in freezing weather; charge it at room temperature.

BATTERY & CHARGER INSTRUCTIONS

Despite all the safety precautions, caution must always be exercised when handling batteries. The following points must be obeyed at all times to ensure safe use. Safe use can only be guaranteed if undamaged cells are used. Incorrect handling of the battery pack can cause cell damage.

- **Charge in a well-ventilated area** – Do not block the charger vents. Keep them clear to allow for proper ventilation. Do not allow smoking or open flames near a charging battery pack. Vented gases may explode.

NOTE: The safe temperature range for the battery charging is -4°F to 113°F. Do not charge the battery outside in freezing weather; charge it at room temperature.

 **WARNING!** To reduce the risk of electric shock, always unplug the charger before performing any cleaning or maintenance. Do not allow water to flow into the charger. Use a Ground Fault Circuit Interrupter (GFCI) to reduce shock hazards.

- **Do not burn or incinerate battery packs** – Battery packs may explode, causing personal injury or damage. Toxic fumes and materials are created when battery packs are burned.

- **Do not crush, drop or damage battery packs** – Do not use the battery pack or charger if they have sustained a sharp blow, been dropped, run over or have been damaged in any way (i.e. pierced with a nail, hit with a hammer, stepped on, etc.).

- **Do not disassemble** – Incorrect reassembly may pose a serious risk of electric shock, fire or exposure to toxic battery chemicals. If the battery or charger are damaged, call WEN customer service at **1-800-232-1195** for assistance.

- **Battery chemicals cause serious burns** – Never let a damaged battery pack contact the skin, eyes or mouth. If a damaged battery pack leaks battery chemicals, use rubber or neoprene gloves to safely dispose of it. If skin is exposed to battery fluids, wash the affected area with soap and water and rinse with vinegar. If eyes are exposed to battery chemicals, immediately flush with water for 20 minutes and seek medical attention. Remove and dispose of contaminated clothing.

- **Do not short circuit** – A battery pack will short circuit if a metal object makes a connection between the positive and negative contacts on the battery pack. Do not place a battery pack near anything that may cause a short circuit, such as paper clips, coins, keys, screws, nails and other metallic objects. A short-circuited battery pack poses a risk of fire and severe personal injury.

- **Store your battery pack and charger in a cool, dry place** – Do not store the battery pack or charger where temperatures may exceed 104 °F, such as in direct sunlight or inside a vehicle or metal building during the summer.

ABOUT THE BATTERY

1. The battery pack supplied with your cordless tool is only partially charged. The battery pack has to be charged completely before you use the tool for the first time.

2. For optimum battery performance, avoid low discharge cycles by charging the battery pack frequently.

3. Lithium-ion batteries are subject to a natural aging process. The battery pack must be replaced at the latest when its capacity falls to just 80% of its capacity when new. Weakened cells in an aged battery pack are no longer capable of meeting the high power requirements needed for the proper operation of your tool, and therefore pose a safety risk.

4. Do not throw battery packs into an open fire as this poses a risk of explosion. Do not ignite the battery pack or expose it to fire.

5. Do not exhaustively discharge batteries. Exhaustive discharge will damage the battery cells. The most common cause of exhaustive discharge is lengthy storage or non-use of partially discharged batteries. Stop working as soon as the performance of the battery falls noticeably or the electronic protection system triggers. Place the battery pack in storage only after it has been fully charged.

BATTERY & CHARGER INSTRUCTIONS

Despite all the safety precautions, caution must always be exercised when handling batteries. The following points must be obeyed at all times to ensure safe use. Safe use can only be guaranteed if undamaged cells are used. Incorrect handling of the battery pack can cause cell damage.

ABOUT THE BATTERY (CONT.)

6. Protect batteries and the tool from overloads. Overloads will quickly result in overheating and cell damage inside the battery housing even if this overheating is not apparent externally.

7. Avoid damage and shocks. Immediately replace batteries that have been dropped from a height of more than one meter or those that have been exposed to violent shocks, even if the housing of the battery pack appears to be undamaged. The battery cells inside the battery may have suffered serious damage. In such instances, please read the waste disposal information for proper battery disposal.

8. If the battery pack suffers overloading and overheating, the integrated protective cutoff will switch off the equipment for safety reasons.


9. Use only original battery packs. The use of other batteries poses a fire risk and may result in injuries or an explosion.

CHARGER

Protect the battery charger and its cord from damage. Keep the charger and its cord away from heat, oil and sharp edges. Electrical plugs must match the outlet. Never modify the plug in any way. Do not use any adapter plugs with grounded appliances. Unmodified plugs and matching outlets will reduce the risk of electric shock.

Keep the battery charger, battery pack(s) and the cordless tool out of the reach of children. Do not use the supplied battery charger to charge other cordless tools. During periods of heavy use, the battery pack will become warm. Allow the battery pack to cool to room temperature before inserting it into the charger to recharge.

Do not overcharge batteries. Do not exceed the maximum charging times. These charging times only apply to discharged batteries. Frequent insertion of a charged or partially charged battery pack will result in overcharging and cell damage. Do not leave battery in the charger for days on end. Never use or charge a battery if you suspect that it has been more than 12 months since the last time they were charged. There is a high probability that the battery pack has already suffered dangerous damage (exhaustive discharge). Do not use battery that have been exposed to heat during the charging process, as the battery cells may have suffered dangerous damage. Do not use battery that have suffered curvature or deformation during the charging process or those that exhibit other atypical symptoms (gassing, hissing, cracking, etc.)

 **WARNING!** Waste electrical products should not be disposed of with household waste. Please recycle where facilities exist. Check with your local authority or retailer for recycling advice.

ELECTRICAL INFORMATION

GROUNDING INSTRUCTIONS (FOR CHARGER)

IN THE EVENT OF A MALFUNCTION OR BREAKDOWN, grounding provides the path of least resistance for an electric current and reduces the risk of electric shock. This tool is equipped with an electric cord that has an equipment grounding conductor and a grounding plug. The plug **MUST** be plugged into a matching outlet that is properly installed and grounded in accordance with ALL local codes and ordinances.

DO NOT MODIFY THE PLUG PROVIDED. If it will not fit the outlet, have the proper outlet installed by a licensed electrician.

IMPROPER CONNECTION of the equipment grounding conductor can result in electric shock. The conductor with the green insulation (with or without yellow stripes) is the equipment grounding conductor. If repair or replacement of the electric cord or plug is necessary, **DO NOT** connect the equipment grounding conductor to a live terminal.

CHECK with a licensed electrician or service personnel if you do not completely understand the grounding instructions or whether the tool is properly grounded.

⚠ CAUTION! In all cases, make certain the outlet in question is properly grounded. If you are not sure, have a licensed electrician check the outlet.

⚠ WARNING! This charger is for indoor use only. Do not expose either the tool, the battery or the charger to rain or use in damp locations.

GUIDELINES FOR EXTENSION CORDS

Make sure your extension cord is in good condition. When using an extension cord, be sure to use one heavy enough to carry the current your product will draw. An undersized cord will cause a drop in line voltage resulting in loss of power and overheating. The table below shows the correct size to be used according to cord length and nameplate ampere rating. When in doubt, use a heavier cord. The smaller the gauge number, the heavier the cord.

Make sure your extension cord is properly wired and in good condition. Always replace a damaged extension cord or have it repaired by a qualified person before using it.

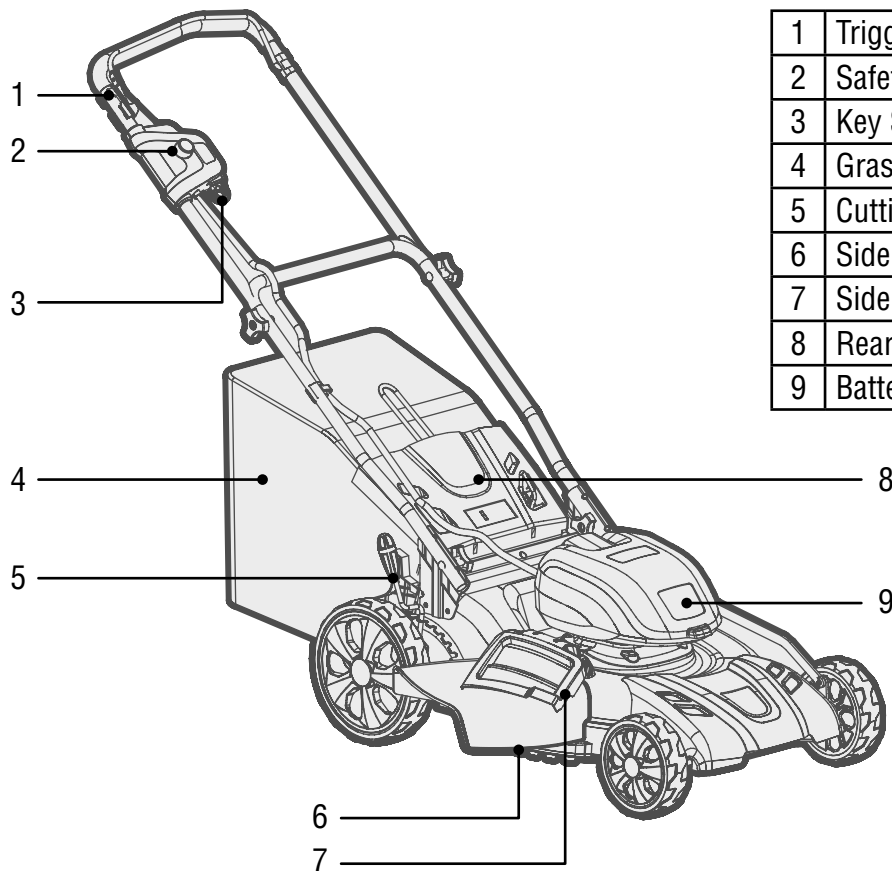
Protect your extension cords from sharp objects, excessive heat and damp/wet areas.

AMPERAGE	REQUIRED GAUGE FOR EXTENSION CORDS			
	25 ft.	50 ft.	100 ft.	150 ft.
2A	18 gauge	16 gauge	14 gauge	12 gauge

Use a separate electrical circuit for your tools. This circuit must not be less than a #12 wire and should be protected with a 15 A time-delayed fuse. Before connecting the motor to the power line, make sure the switch is in the OFF position and the electric current is rated the same as the current stamped on the motor nameplate. Running at a lower voltage will damage the motor.

⚠ WARNING! This tool must be grounded while in use to protect the operator from electric shock.

KNOW YOUR LAWN MOWER



1	Trigger Switch
2	Safety
3	Key Switch
4	Grass Catcher
5	Cutting Height Adjustment Handle
6	Side Chute
7	Side Discharge Door
8	Rear Discharge Door
9	Battery Holder

ASSEMBLY & ADJUSTMENTS

⚠ WARNING! This charger is for indoor use only. Do not expose either the tool, the battery or the charger to rain or use in damp locations.

INSTALLING THE HANDLE (FIG. A)

Fully loosen the handle locking knobs on either side of the machine (Fig. A - 1). Once the locking knobs have been fully loosened, pull back on the top of the handle to position it into operating position. Once the handle has been properly positioned, retighten the handle locking knobs.

SETTING THE HEIGHT OF THE UPPER HANDLE

There are three different holes (Fig. A - 2) on the side of the upper handle to vary the height of the trigger switch. If the height seems too tall or too short, adjust the hole through which this locking knob is placed accordingly.

INSTALLING THE MULCHING PLUG (FIG. B)

NOTE: Do not install the grass catcher, the side chute or the mulching plug simultaneously. When one is installed, the other two should not be.

1. Lift up the rear discharge door.
2. Grab the handle of the mulching plug and slide it into the opening in the back of the mower.
3. Lower the rear discharge door.

ASSEMBLY & ADJUSTMENTS

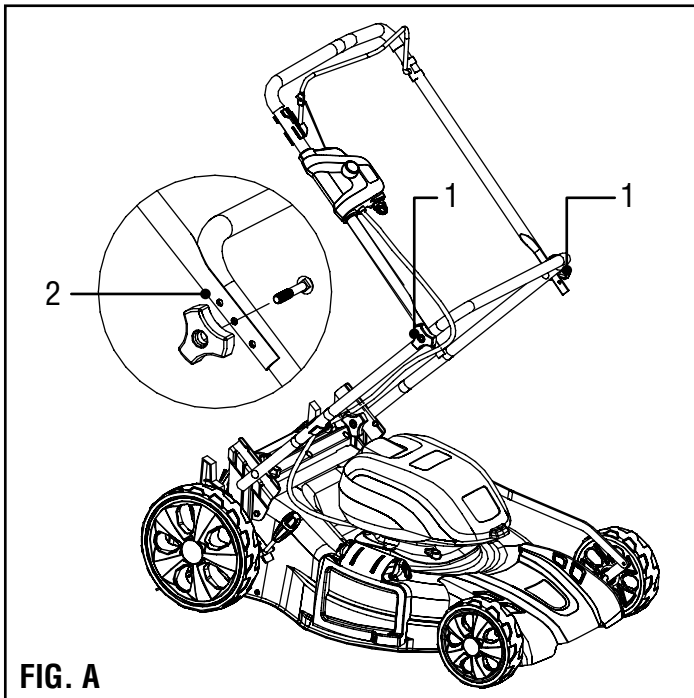


FIG. A

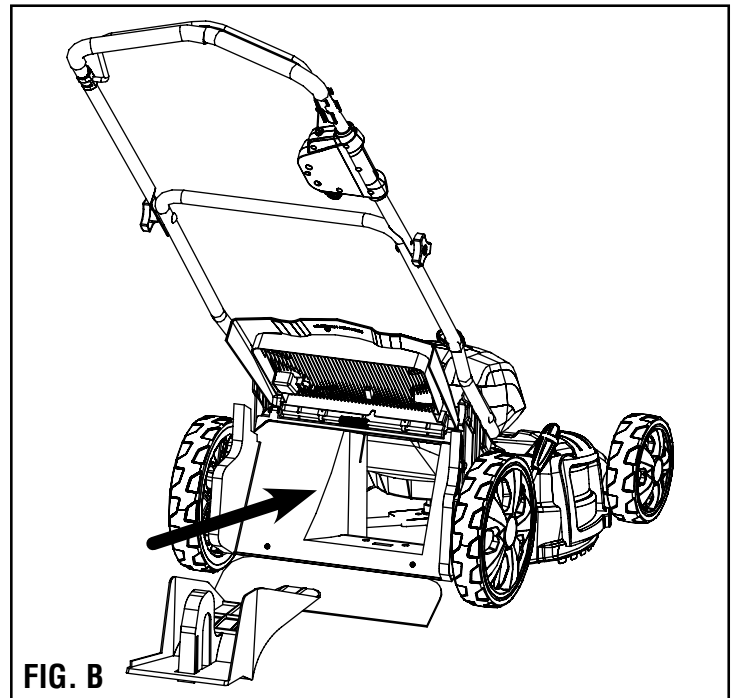


FIG. B

INSTALLING THE GRASS CATCHER (FIG. C)

NOTE: Do not install the grass catcher, the side chute or the mulching plug simultaneously. When one is installed, the other two should not be.

Before installing, make sure the grass bag has been properly attached to the metal grass catcher frame via the clips around the mouth of the bag.

Lift the rear discharge door. While holding the door open, place the grass catcher with handle side up into the grooves under the hinge of the rear discharge door, making sure that the hooks rest properly inside their respective grooves.

CHARGING THE BATTERY

Place the battery pack into the charger by sliding it into a locked position until it clicks

When the green light is flashing, the battery is charging. If the green light is no longer flashing, the battery is fully charged.

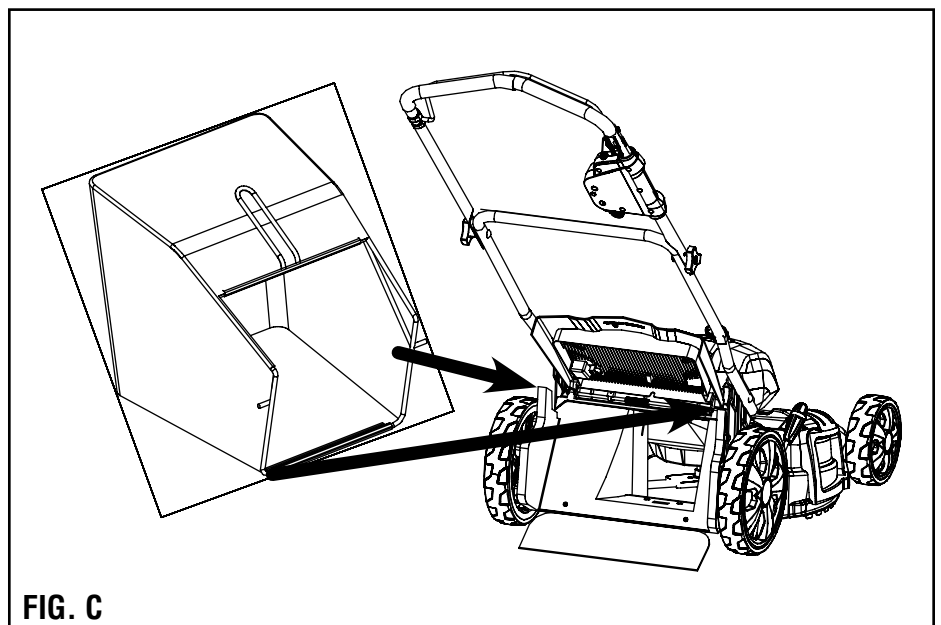
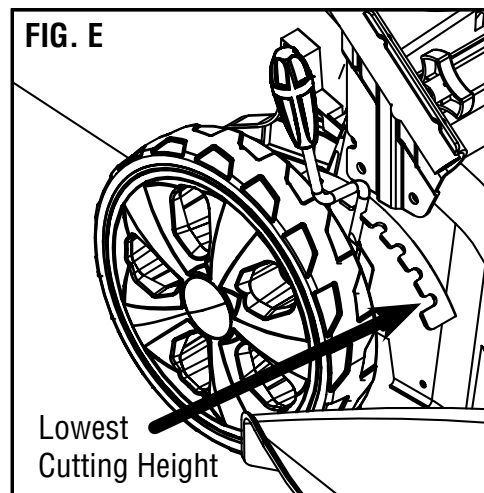
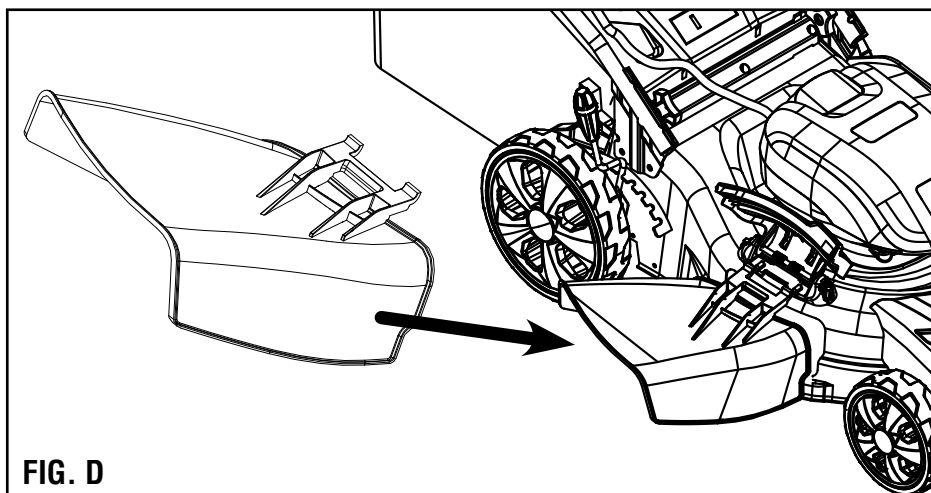


FIG. C

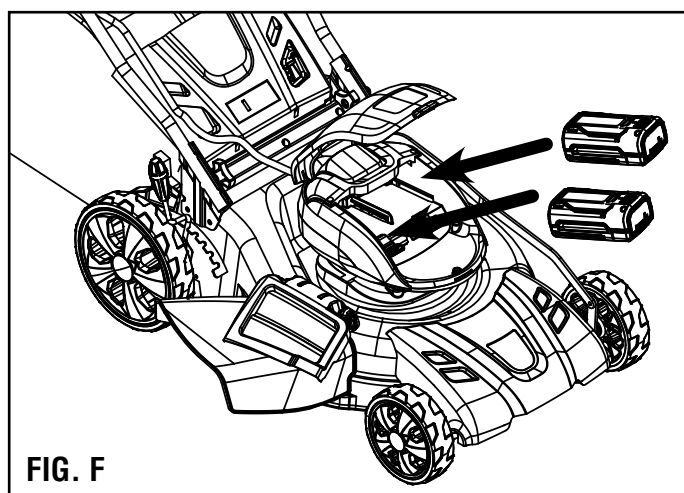
ASSEMBLY & ADJUSTMENTS



INSTALLING THE SIDE CHUTE (FIG. D)

NOTE: Do not install the grass catcher, the side chute or the mulching plug simultaneously. When one is installed, the other two should not be.

1. Lift up the side discharge door.
2. Place the hooks found on the side chute into their respective grooves underneath the hinges of the side discharge door. If correctly installed, the side chute should be positioned approximately parallel to the ground.
3. Let go of the side discharge door.



SETTING THE CUTTING HEIGHT (FIG. E)

To raise and lower the mower's cutting blade, set the blade height adjustment lever into the preferred height (Fig. E). The lower notches closer to the front side of the wheel bring the blade lower to the ground. The lowest notch (Fig. E) represents a 1.5-inch cutting height. The highest notch coincides with a 4-inch cutting height.

ATTACH/REMOVE THE BATTERY (FIG. F)

NOTE: The battery is not fully charged at the time of purchase. Before using the mower for the first time, place the battery in the charger and charge it fully.

The WEN 40V Lawn Mower is equipped with two slots for batteries. Open the clear lid to reveal slots for both batteries. To insert the battery, slide it into one of the two slots until it clicks into place. Make sure the battery is fully inserted and latched into position. To remove the battery, press the release tab and slide the battery out of the lawn mower.

There are battery meters available on both the batteries themselves as well as on the back side of the battery holder. If you are curious as to the remaining life of a battery, press the indication button on either of these battery meters.

⚠ WARNING! Do not insert or remove the battery while the trigger is pressed or while the blade is in motion.

OPERATION

STARTING AND STOPPING THE MOWER

NOTE: Before starting the mower, make sure all adjustments have been made and that you have selected whether you will be using the grass catcher, the mulching plug or the side discharge port (only have one installed at a time during operation).

1. Place the switch key into the ignition slot on the switch box (where the safety button is located).
2. Push down the safety button.
3. With the safety pushed down, pull back on the trigger switch running along the top of the upper handle. This should power on the motor.
4. To stop the mower, release the trigger switch. Let the blade come to a complete stop before making any adjustments to the mower.

HOW TO MOW YOUR LAWN

Below are some helpful tips to keep in mind when mowing your lawn:

1. Clear the yard of any foreign objects such as stones, sticks or other items that may damage the mower. These types of objects are dangerous when thrown from the discharge port, creating possible injury to both the operator and bystanders.
2. Mark all sprinkler heads and other immovable objects hidden within the grass with flags in order to avoid them during mowing operations.
3. When cutting thicker and longer grass, move slower to allow the blades to work at their own speed. Do not force the mower to do a job that it doesn't seem like it is able to handle.
4. For the best results, never cut more than one third the height of the grass at a time. Cutting more than a third wears on the mower's motor and blades while also compromising the health of the grass.
5. Avoid cutting wet grass when possible. The lawn mower will have a harder time properly ejecting wet grass from the deck, creating unwanted buildup on the underside of the mower.
6. After each lawn mowing session, remove the batteries from the machine and clean out the clippings from the underside of the mower deck to maximize the lifespan of the unit.
7. Do not mow up and down high slopes. Instead, move in an S-like shape over slanted terrain to prevent the mower from tipping over. If you are ever unconfident about your footing or about the steepness of the terrain, do not mow said area.

EMPTYING THE GRASS CATCHER

Regularly empty the grass catcher by lifting it by the handle off the back of the lawn mower. Empty the clippings and then reinstall the grass catcher.

MAINTENANCE

⚠ WARNING! Always remove battery before adjusting, cleaning, or checking a function on the tool.

CLEANING THE MOWER

Keep all safety devices, air vents, and motor housing free of debris and dirt. Wipe down the equipment with a cloth and/or compressed air. It is highly suggested that you clean the device after every use. Do not use cleaning agents, as these can attack the plastic and weaken the structural integrity of the lawn mower. Remove deposits from the guard hood with a brush.

CARBON BRUSHES

The carbon brushes need to be replaced by a qualified service technician. Do not attempt to replace them yourself.

LUBRICATION

Before storing for long periods of time and also directly after a long period of storage, it is recommended to lubricate the following parts of the lawn mower with a light layer of oil:

- Springs on the rear and side discharge doors
- Height adjustment lever and parts
- Axle and inner surface of the wheels
- Motor shaft (underneath blade assembly)

CHANGING THE CUTTING BLADE

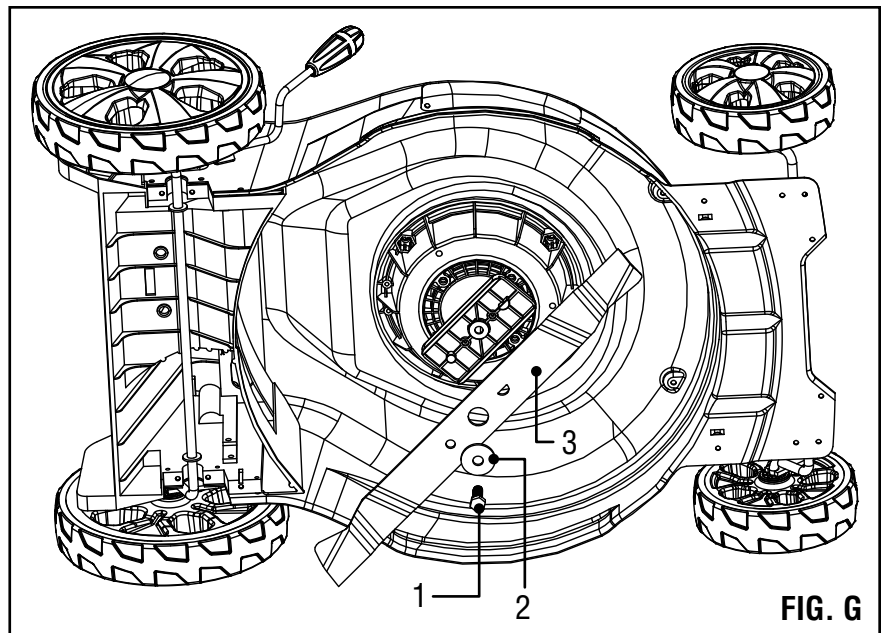
1. After removing the battery and the switch key from the lawn mower, turn the mower onto its side to reveal the underside of the machine.

2. Place a block of wood or a stop of some kind between the blade and the edge of the deck to prevent the blade from turning freely.

3. Using a wrench (not provided), loosen the blade nut (Fig. G - 1) on the bottom of the unit. Remove the blade nut, the washer (Fig. G - 2), and the blade (Fig. G - 3) from the machine.

4. Put the new blade onto the shaft and replace the blade washer and the blade nut.

5. Tighten the blade nut to somewhere between 230 to 300 inch pounds worth of torque. Once the blade is secure, check by hand that everything rotates as it should.



MAINTENANCE

STORING THE MOWER

The handle of the mower can fold in on itself to allow for easy storage. Simply loosen the handle locking knobs and collapse it in on itself by squeezing the outside edges of the lower handle.

Make sure to remove the switch key and the batteries before storing the mower. Clean out any built up clippings and debris that may have accumulated underneath the deck of the mower. Check the unit for damage and wear. We recommend making repairs on damaged or missing parts before storing the mower away.

Do not store the mower near any corrosive materials. Make sure the storage area is clean and dry and that children will be unable to access the mower.

BATTERY

1. Make sure the battery is fully charged before storage in order to maximize the life of the battery.
2. Do not store the battery pack on the tool.
3. After charging, the battery pack may be stored in the charger, as long as the charger is not plugged in.

For best performance, we recommend charging the 40V battery at least once every three months.

CHARGER

1. Keep the charger clean and clear of debris. Do not allow foreign material to get into the recessed cavity or onto the contacts. Wipe the charger clean with a dry cloth. Do not use solvents or water, and do not place the charger in wet conditions.
2. Unplug the charger when there is no battery in it.
3. Fully charge the battery before placing it in storage.
4. Store the charger at normal room temperature. Do not store it in excessive heat. Do not use the charger in direct sunlight or in damp conditions. Do not charge outside. Recharge at room temperature. If the battery is hot, allow it to cool down before recharging.

STORAGE

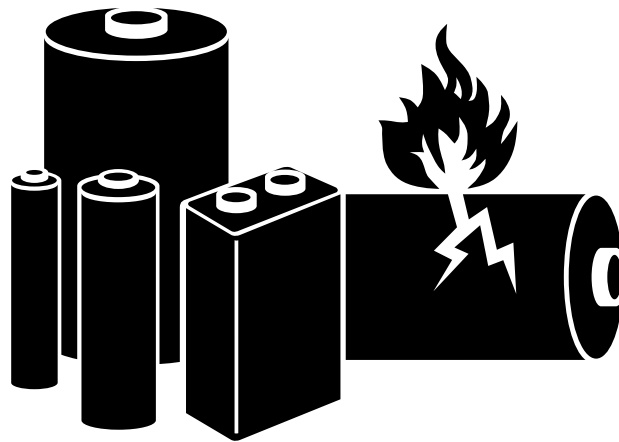
Examine the cordless tool thoroughly for worn, loose or damaged parts. If you need to repair or replace a part, contact WEN customer service at 1-800-232-1195.

Clean the unit before storing or transporting. Be sure to secure the unit while transporting.

Remove the battery before storing.

Store in a clean, dry place. Cover it in order to provide added protection.

Always store battery and charger indoors.



UN 3481

Phone: 1-800-232-1195

This shipment contains lithium ion batteries:

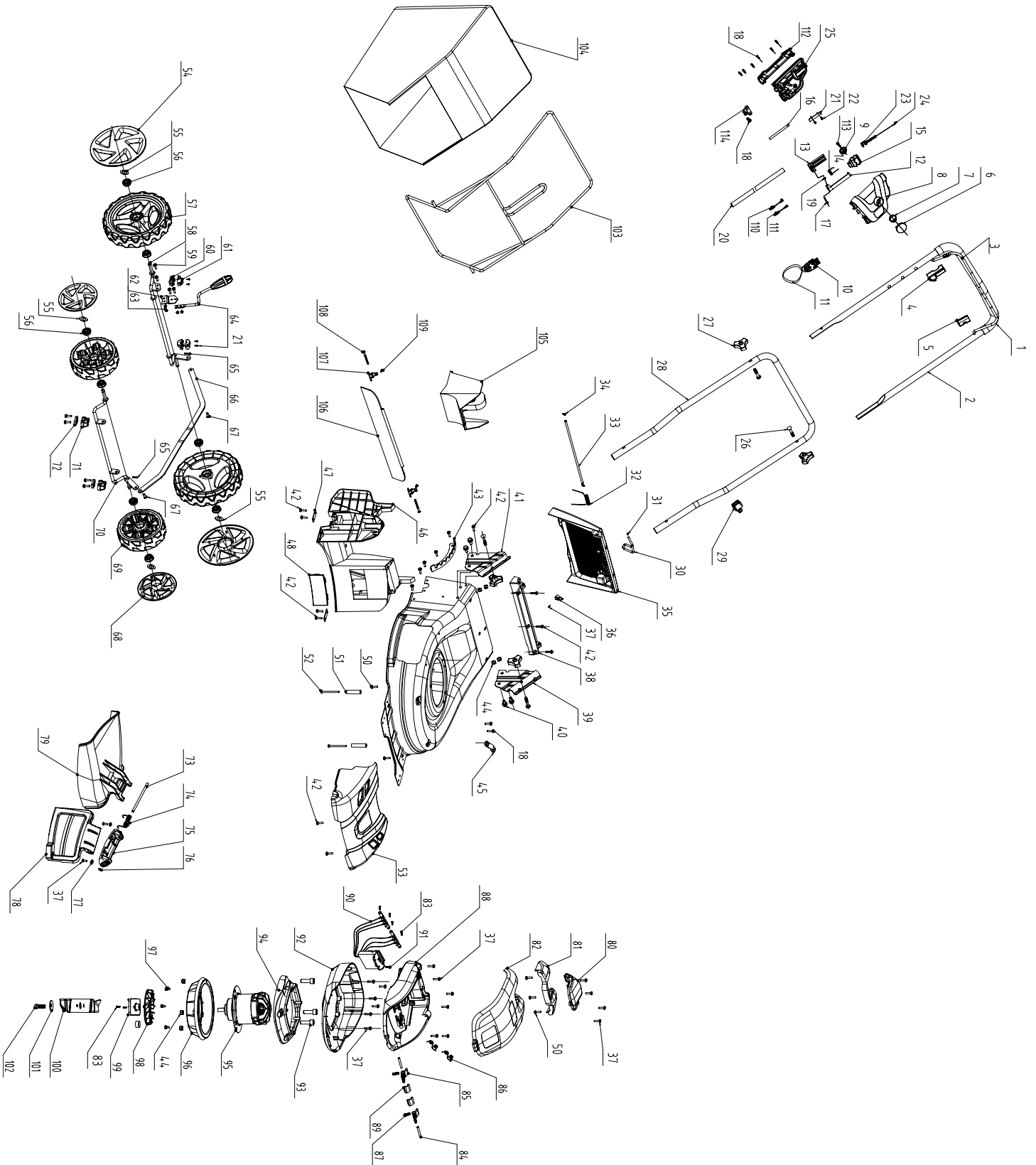
Please handle with care. Fragile contents. Keep dry.

A flammable hazard exists if this package becomes damaged.

Special procedures must be followed in the event this package becomes damaged. Call the number below for a Safety Data Sheet.

For more information call 800-232-1195.

EXPLODED VIEW & PARTS LIST



EXPLODED VIEW & PARTS LIST

No.	Part No.	Description	Qty.
1	40439-001	Grip	1
2	40439-002	Upper Handle	1
3	40439-003	Pull Rod	1
4	40439-004	Holder 1	1
5	40439-005	Holder 2	1
6	40439-006B	Switch Button	1
7	40439-007B	Button Spring	1
8	40439-008B	Switch Box Cover	1
9	40439-009B	Rear Button Cover	1
10	40439-011B	Key	1
11	40439-010B	Key Strap	1
12	40439-013B	Switch Linkage	1
13	40439-016B	Switch Linkage Base	1
14	40439-014B	Push Spring	1
15	40439-015B	Switch	1
16	40439-116	Heat-Shrink Tubing	1
17	40439-012B	Machine Screw	1
18	40439-018	Self-Tapping Screw	12
19	40439-019	Hex Nut	1
20	40439-020	Cable Wire	1
21	40439-022	Clamp	1
22	40439-021	Self-Tapping Screw	2
23	40439-024	Trigger Button	1
24	40439-023	Switch Cable	1
25	40439-025B	Switch Box Lower Cover	1
26	40439-026	Square Neck Bolt	4
27	40439-027	Handle Locking Knob	4
28	40439-028	Lower Handle	1
29	40439-029	Cord Clasp	1
30	40439-030	Holder	1
31	40439-031	Rubber Sleeve	1
32	40439-032	Rear Lid Spring	1
33	40439-033	Shaft	1
34	40439-034	Split Washer, 5mm	2
35	40439-035	Rear Cover	1
36	40439-036	Clamp	1
37	40439-037	Self-Tapping Screw	18
38	40439-038	Rear Cover Base	1

No.	Part No.	Description	Qty.
39	40439-039	Side Cover, Left	1
40	40439-040	Hex Screw	4
41	40439-041	Side Cover, Right	1
42	40439-042	Flanged Self-tapping Screw	23
43	40439-043	Deck Lifter Plate	1
44	40439-044	Hex Nut	7
45	40439-045	Cable Clamp	1
46	40439-046	Rear Base	1
47	40439-047	Clamp	2
48	40439-048	Cover	1
49	40439-049	Deck	1
50	40439-050	Pan Head Self-tapping Screw	5
51	40439-051	Bushing	2
52	40439-052	Pan Head Self-tapping Screw	2
53	40439-053	Decorative Cover	1
54	40439-054	Rear Wheel Cover	2
55	40439-055	Retaining Ring	4
56	40439-056	Bushing	8
57	40439-057	Rear Wheel	2
58	40439-058	Rear Axle Assembly	1
59	40439-059	Bolt	4
60	40439-060	Rear Upper Clamp	2
61	40439-061	Rear Lower Clamp	2
62	40439-062	Leaf Spring	1
63	40439-063	Hex Nut	4
64	40439-064	Lever	1
65	40439-065	R-pin	2
66	40439-066	Linkage Rod	1
67	40439-067	Pin	2
68	40439-068	Front Wheel Cover	2
69	40439-069	Front Wheel	2
70	40439-070	Front Axle Assembly	1
71	40439-071	Front Upper Clamp	2
72	40439-072	Front Lower Clamp	2
73	40439-073	Chute Shaft	1
74	40439-074	Chute Spring	1
75	40439-075	Chute Base	1
76	40439-076	Split Washer	1

No.	Part No.	Description	Qty.
77	40439-077	Washer	1
78	40439-078	Chute Discharge Door	1
79	40439-079	Side Chute	1
80	40439-080	Battery Cover, Upper	1
81	40439-081	Battery Cover, Middle	1
82	40439-082	Battery Cover, Clear	1
83	40439-083	Screw	6
84	40439-084	Shaft	2
85	40439-085	Battery Pack Latch	2
86	40439-086	Reset Spring	2
87	40439-087	Button Spring	2
88	40439-088	Battery Housing, Upper	1
89	40439-089	Clamp	2
90	40439-090	Electronic Components	1
91	40439-091	Pan Head Self-tapping Screw	1
92	40439-092	Battery Housing, Lower	1
93	40439-093	Screw	3
94	40439-094	Battery Housing Base	1
95	40439-095	Motor Assembly	1
96	40439-096	Motor Base	1

No.	Part No.	Description	Qty.
97	40439-097	Bolt	3
98	40439-098	Fan	1
99	40439-099	Blade Positioning Plate	1
100	40439-100	Blade	1
101	40439-101	Blade Washer	1
102	40439-102	Hex Head Bolt, M8x26	1
103	40439-103	Clippings Bag Wire Frame	1
104	40439-104	Clippings Bag	1
105	40439-105	Mulching Plug	1
106	40439-106	Rear Door	1
107	40439-107	Rear Door Bracket	2
108	40439-108	Pan Head Self-tapping Screw	2
109	40439-109	Combination Screw	2
110	40439-110	Wire	1
111	40439-111	Wire	1
112	40439-112	Switch Box Lower Cover Base	1
113	40439-113	Self-Tapping Screw	1
114	40439-114	Cable Clamp	1

NOTE: Model 40439BT does not include battery or charger.

WARRANTY STATEMENT

WEN Products is committed to building tools that are dependable for years. Our warranties are consistent with this commitment and our dedication to quality.

LIMITED WARRANTY OF WEN PRODUCTS FOR HOME USE

GREAT LAKES TECHNOLOGIES, LLC (“Seller”) warrants to the original purchaser only, that all WEN consumer power tools will be free from defects in material or workmanship during personal use for a period of two (2) years from date of purchase or 500 hours of use; whichever comes first. Ninety days for all WEN products if the tool is used for professional or commercial use. Purchaser has 30 days from the date of purchase to report missing or damaged parts.

SELLER’S SOLE OBLIGATION AND YOUR EXCLUSIVE REMEDY under this Limited Warranty and, to the extent permitted by law, any warranty or condition implied by law, shall be the replacement of parts, without charge, which are defective in material or workmanship and which have not been subjected to misuse, alteration, careless handling, misrepair, abuse, neglect, normal wear and tear, improper maintenance, improper storage, incorrect lubricants/fuels, or other conditions adversely affecting the Product or the component of the Product, whether by accident or intentionally, by persons other than Seller. To make a claim under this Limited Warranty, you must make sure to keep a copy of your proof of purchase that clearly defines the Date of Purchase (month and year) and the Place of Purchase. Place of Purchase must be a direct vendor of Great Lakes Technologies, LLC. Purchasing through third party vendors, including but not limited to garage sales, pawn shops, resale shops, or any other secondhand merchant, voids the warranty included with this product. Contact techsupport@wenproducts.com or 1-800-232-1195 with the following information to make arrangements: your shipping address, phone number, serial number, required part numbers, and proof of purchase. Damaged or defective parts and products may need to be sent to WEN before the replacements can be shipped out.

Upon the confirmation of a WEN representative, your product may qualify for repairs and service work. When returning a product for warranty service, the shipping charges must be prepaid by the purchaser. The product must be shipped in its original container (or an equivalent), properly packed to withstand the hazards of shipment. The product must be fully insured with a copy of the proof of purchase enclosed. There must also be a description of the problem in order to help our repairs department diagnose and fix the issue. Repairs will be made and the product will be returned and shipped back to the purchaser at no charge for addresses within the contiguous United States.

THIS LIMITED WARRANTY DOES NOT APPLY TO ITEMS THAT WEAR OUT FROM REGULAR USAGE OVER TIME, INCLUDING FILTERS, SPARK PLUGS, VOLTAGE REGULATORS, BRUSHES, GASKETS, O-RINGS, WHEEL KITS, BATTERIES, RECOIL STARTERS, HIGH PRESSURE HOSES, SPRAY GUNS, ETC. ANY IMPLIED WARRANTIES SHALL BE LIMITED IN DURATION TO TWO (2) YEARS FROM DATE OF PURCHASE. SOME STATES IN THE U.S. AND SOME CANADIAN PROVINCES DO NOT ALLOW LIMITATIONS ON HOW LONG AN IMPLIED WARRANTY LASTS, SO THE ABOVE LIMITATION MAY NOT APPLY TO YOU.

IN NO EVENT SHALL SELLER BE LIABLE FOR ANY INCIDENTAL OR CONSEQUENTIAL DAMAGES (INCLUDING BUT NOT LIMITED TO LIABILITY FOR LOSS OF PROFITS) ARISING FROM THE SALE OR USE OF THIS PRODUCT. SOME STATES IN THE U.S. AND SOME CANADIAN PROVINCES DO NOT ALLOW THE EXCLUSION OR LIMITATION OF INCIDENTAL OR CONSEQUENTIAL DAMAGES, SO THE ABOVE LIMITATION OR EXCLUSION MAY NOT APPLY TO YOU.

THIS LIMITED WARRANTY GIVES YOU SPECIFIC LEGAL RIGHTS, AND YOU MAY ALSO HAVE OTHER RIGHTS WHICH VARY FROM STATE TO STATE IN THE U.S., PROVINCE TO PROVINCE IN CANADA AND FROM COUNTRY TO COUNTRY.

THIS LIMITED WARRANTY APPLIES ONLY TO ITEMS SOLD WITHIN THE UNITED STATES OF AMERICA, CANADA AND THE COMMONWEALTH OF PUERTO RICO. FOR WARRANTY COVERAGE WITHIN OTHER COUNTRIES, CONTACT THE WEN CUSTOMER SUPPORT LINE. FOR WARRANTY PARTS OR PRODUCTS REPAIRED UNDER WARRANTY SHIPPING TO ADDRESSES OUTSIDE OF THE CONTIGUOUS UNITED STATES, ADDITIONAL SHIPPING CHARGES MAY APPLY.

**THANKS FOR
REMEMBERING**  [®]