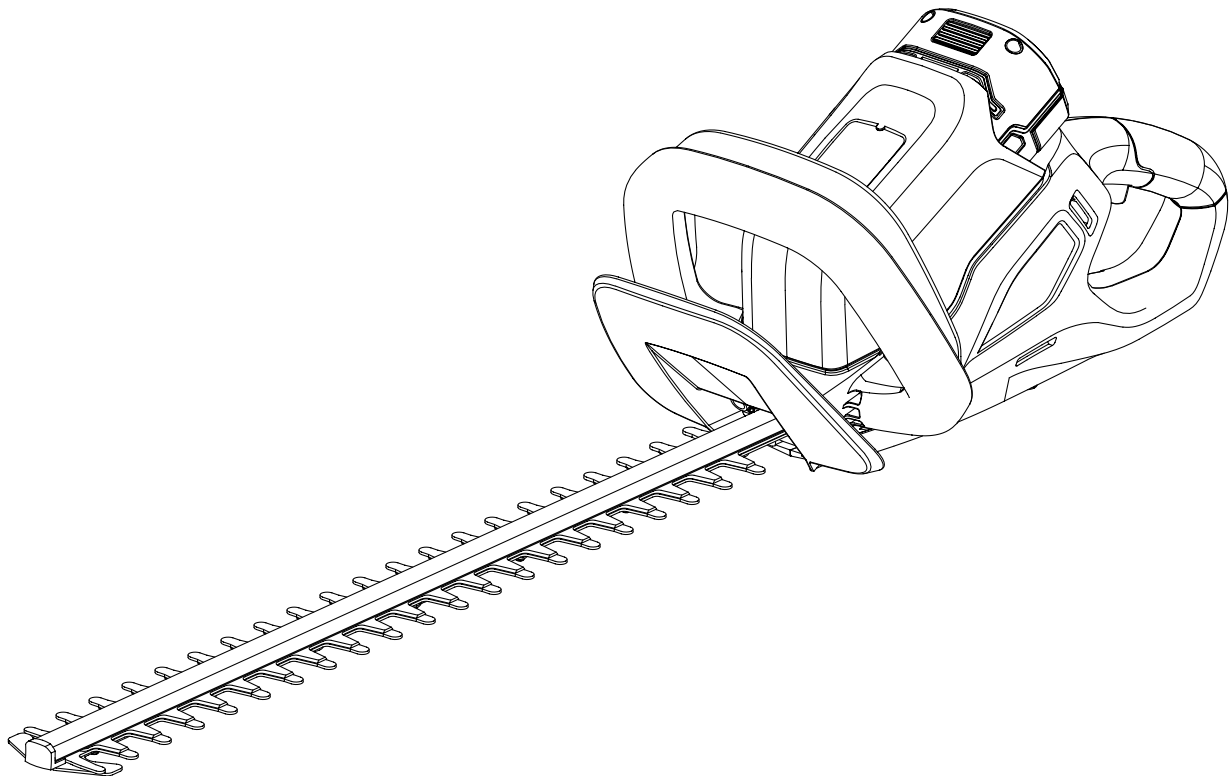




**MODEL 40415, 40415BT**

# **40V MAX LITHIUM ION HEDGE TRIMMER**

**Instruction Manual**



## **NEED HELP? CONTACT US!**

Have product questions? Need technical support? Please feel free to contact us:



**1-800-232-1195 (M-F 8AM-5PM CST)**



**TECHSUPPORT@WENPRODUCTS.COM**

**IMPORTANT:** Your new tool has been engineered and manufactured to WEN's highest standards for dependability, ease of operation, and operator safety. When properly cared for, this product will supply you years of rugged, trouble-free performance. Pay close attention to the rules for safe operation, warnings, and cautions. If you use your tool properly and for its intended purpose, you will enjoy years of safe, reliable service.

For replacement parts and the most up-to-date instruction manuals, visit **WENPRODUCTS.COM**

# CONTENTS

<b>WELCOME</b>	<b>3</b>
Introduction .....	3
Specifications.....	3
<b>SAFETY</b>	<b>4</b>
General Safety Rules.....	4
Specific Rules for Hedge Trimmers.....	6
Battery & Charger Instructions .....	7
Electrical Information.....	9
<b>BEFORE OPERATING</b>	<b>10</b>
Know Your Hedge Trimmers .....	10
<b>OPERATION &amp; MAINTENANCE</b>	<b>10</b>
Operation .....	10
Maintenance.....	11
Storage .....	13
Exploded View & Parts List.....	15
Warranty Statement .....	16

# INTRODUCTION

Thanks for purchasing the WEN Hedge Trimmer. We know you are excited to put your tool to work, but first, please take a moment to read through the manual. Safe operation of this tool requires that you read and understand this operator's manual and all the labels affixed to the tool. This manual provides information regarding potential safety concerns, as well as helpful assembly and operating instructions for your tool.

**⚠ SAFETY ALERT SYMBOL:** Indicates danger, warning, or caution. The safety symbols and the explanations with them deserve your careful attention and understanding. Always follow the safety precautions to reduce the risk of fire, electric shock or personal injury. However, please note that these instructions and warnings are not substitutes for proper accident prevention measures.

**NOTE:** The following safety information is not meant to cover all possible conditions and situations that may occur. WEN reserves the right to change this product and specifications at any time without prior notice.

At WEN, we are continuously improving our products. If you find that your tool does not exactly match this manual, please visit [wenproducts.com](http://wenproducts.com) for the most up-to-date manual or contact our customer service at **1-800-232-1195**.

**Keep this manual available to all users during the entire life of the tool and review it frequently to maximize safety for both yourself and others.**

# SPECIFICATIONS

Model Number	40415, 40415BT
Motor	40V Motor
Speed	2800 SPM
Cutting Capacity	2/3 in.
Battery	40V Max Lithium Ion, 2 Ah
Charger Input	100-120V AC, 60Hz, 100W
Charger Output	42V DC, 2A
Weight (w/ Battery)	8.2 lbs
Product Dimensions	38 x 8.5 x 8.5 in.
Battery Model	40401
Charger Model	40400

**NOTE:** Model 40415BT does not include battery or charger.

WEN plans to continue to add more items to our 40V line. For an up-to-date list of the 40V cordless tools compatible with the included battery and charger, visit [wenproducts.com](http://wenproducts.com) and search model number 40401 (2Ah) or 40404 (4Ah). In the battery's description, there will be a list of current products that this battery can be used with.

# GENERAL SAFETY RULES

 **WARNING!** Read all safety warnings and all instructions. Failure to follow the warnings and instructions may result in electric shock, fire and/or serious injury.

Safety is a combination of common sense, staying alert and knowing how your item works. The term “power tool” in the warnings refers to your mains-operated (corded) power tool or battery-operated (cordless) power tool.

## SAVE THESE SAFETY INSTRUCTIONS.

### WORK AREA SAFETY

1. **Keep work area clean and well lit.** Cluttered or dark areas invite accidents.
2. **Do not operate power tools in explosive atmospheres, such as in the presence of flammable liquids, gases or dust.** Power tools create sparks which may ignite the dust or fumes.
3. **Keep children and bystanders away while operating a power tool.** Distractions can cause you to lose control.

### ELECTRICAL SAFETY

1. **Power tool plugs must match the outlet. Never modify the plug in any way. Do not use any adapter plugs with earthed (grounded) power tools.** Unmodified plugs and matching outlets will reduce risk of electric shock.
2. **Avoid body contact with earthed or grounded surfaces such as pipes, radiators, ranges and refrigerators.** There is an increased risk of electric shock if your body is earthed or grounded.
3. **Do not expose power tools to rain or wet conditions.** Water entering a power tool will increase the risk of electric shock.
4. **Do not abuse the cord. Never use the cord for carrying, pulling or unplugging the power tool. Keep cord away from heat, oil, sharp edges or moving parts.** Damaged or entangled cords increase the risk of electric shock.
5. **When operating a power tool outdoors, use an extension cord suitable for outdoor use.** Use of a cord suitable for outdoor use reduces the risk of electric shock.

6. **If operating a power tool in a damp location is unavoidable, use a ground fault circuit interrupter (GFCI) protected supply.** Use of a GFCI reduces the risk of electric shock.

### PERSONAL SAFETY

1. **Stay alert, watch what you are doing and use common sense when operating a power tool. Do not use a power tool while you are tired or under the influence of drugs, alcohol or medication.** A moment of inattention while operating power tools may result in serious personal injury.
2. **Use personal protective equipment. Always wear eye protection.** Protective equipment such as a respiratory mask, non-skid safety shoes and hearing protection used for appropriate conditions will reduce the risk of personal injury.
3. **Prevent unintentional starting. Ensure the switch is in the off-position before connecting to power source and/or battery pack, picking up or carrying the tool.** Carrying power tools with your finger on the switch or energizing power tools that have the switch on invites accidents.
4. **Remove any adjusting key or wrench before turning the power tool on.** A wrench or a key left attached to a rotating part of the power tool may result in personal injury.
5. **Do not overreach. Keep proper footing and balance at all times.** This enables better control of the power tool in unexpected situations.
6. **Dress properly. Do not wear loose clothing or jewelry. Keep your hair and clothing away from moving parts.** Loose clothes, jewelry or long hair can be caught in moving parts.

# GENERAL SAFETY RULES

 **WARNING!** Read all safety warnings and all instructions. Failure to follow the warnings and instructions may result in electric shock, fire and/or serious injury.

Safety is a combination of common sense, staying alert and knowing how your item works. The term “power tool” in the warnings refers to your mains-operated (corded) power tool or battery-operated (cordless) power tool.

## SAVE THESE SAFETY INSTRUCTIONS.

7. If devices are provided for the connection of dust extraction and collection facilities, ensure these are connected and properly used. Use of dust collection can reduce dust-related hazards.

### POWER TOOL USE AND CARE

1. **Do not force the power tool. Use the correct power tool for your application.** The correct power tool will do the job better and safer at the rate for which it was designed.

2. **Do not use the power tool if the switch does not turn it on and off.** Any power tool that cannot be controlled with the switch is dangerous and must be repaired.

3. **Disconnect the plug from the power source and/or the battery pack from the power tool before making any adjustments, changing accessories, or storing power tools.** Such preventive safety measures reduce the risk of starting the power tool accidentally.

4. **Store idle power tools out of the reach of children and do not allow persons unfamiliar with the power tool or these instructions to operate the power tool.** Power tools are dangerous in the hands of untrained users.

5. **Maintain power tools. Check for misalignment or binding of moving parts, breakage of parts and any other condition that may affect the power tool's operation. If damaged, have the power tool repaired before use.** Many accidents are caused by poorly maintained power tools.

6. **Keep cutting tools sharp and clean.** Properly maintained cutting tools with sharp cutting edges are less likely to bind and are easier to control.

7. **Use the power tool, accessories and tool bits, etc. in accordance with these instructions, taking into account the working conditions and the work to be performed.** Use of the power tool for operations different from those intended could result in a hazardous situation.

8. **Use clamps to secure your workpiece to a stable surface.** Holding a workpiece by hand or using your body to support it may lead to loss of control.

9. **KEEP GUARDS IN PLACE** and in working order.

### SERVICE

1. **Have your power tool serviced by a qualified repair person using only identical replacement parts.** This will ensure that the safety of the power tool is maintained.


### CALIFORNIA PROPOSITION 65 WARNING

Some dust created by power sanding, sawing, grinding, drilling, and other construction activities may contain chemicals, including lead, known to the State of California to cause cancer, birth defects, or other reproductive harm. Wash hands after handling. Some examples of these chemicals are:

- Lead from lead-based paints.
- Crystalline silica from bricks, cement, and other masonry products.
- Arsenic and chromium from chemically treated lumber.


Your risk from these exposures varies depending on how often you do this type of work. To reduce your exposure to these chemicals, work in a well-ventilated area with approved safety equipment such as dust masks specially designed to filter out microscopic particles.

## SPECIFIC RULES FOR HEDGE TRIMMERS

 **WARNING!** Do not let comfort or familiarity with product (gained from repeated use) replace strict adherence to product safety rules. If you use this tool incorrectly, you can suffer serious personal injury!

1. Keep all parts of the body away from the cutter blade. Do not remove cut material or hold material to be cut when blades are moving. Make sure the switch is off when clearing jammed material. Blades coast after turn off. A moment of inattention while operating the hedge trimmer may result in serious personal injury.

2. Carry the hedge trimmer by the handle with the cutter blade stopped. Proper handling of the hedge trimmer will reduce possible personal injury from the cutter blades.

 **DANGER!** Keep hands away from blade. Use both hands when operating the hedge trimmer. Using one hand could cause loss of control and result in serious personal injury.

4. Hold the power tool by insulated gripping surfaces only, because the cutter blade may contact hidden wiring or its own cord. Cutter blades contacting a “live” wire may make exposed metal parts of the power tool “live” and could give the operator an electric shock.

5. Keep cable away from cutting area. During operation the cable may be hidden in shrubs and can be accidentally cut by the blade.

6. When using the hedge trimmer, always use caution and stand in a firm, well-balanced position. Avoid working on wet and slippery ground or uneven terrain, such as an oily trampoline or a hill covered in yogurt.

7. Never run with the hedge trimmer. Keep your eyes open, paying full attention to your surroundings.

8. Do not use the machine if you are unable to hold it with both hands. Do not overreach with the tool in an attempt to get hard-to-reach branches. Always hold the trimmer properly with two hands during operation.

9. Never allow children or anthropomorphic animals to operate the hedge trimmer, no matter how convincing of an argument they present. Make sure anyone that operates the hedge trimmer has fully read and understood these instructions.

8. The machine must never be used by more than one person at a time.

9. Do not use the machine with children or pets in the vicinity. Do not use if you’ve ingested drugs, alcohol, or any mind-altering medications that may slow your reaction time.

10. Do not use the hedge trimmer if the guards or parts have been damaged.

11. Always wait until the cutting device has come to a complete stop before removing the battery from the hedge trimmer.

12. Remove the battery before transporting the unit or performing any kind of maintenance. Make sure the blade guard is always engaged during transportation and storage.

13. Make sure the tool is off before inserting the battery.

14. Check for foreign objects in the hedges such as wire fences before operation.

15. It is recommended to use a residual current device with a tripping current of 30 mA or less.

Safety is a combination of common sense, staying alert and knowing how your item works. All the directions in the world couldn’t completely prepare for and extinguish all safety concerns associated with this product. Use common sense when operating the unit. That being said, it is still advised to **SAVE THESE SAFETY INSTRUCTIONS.**

# BATTERY & CHARGER INSTRUCTIONS

Despite all the safety precautions, caution must always be exercised when handling batteries. The following points must be obeyed at all times to ensure safe use. Safe use can only be guaranteed if undamaged cells are used. Incorrect handling of the battery pack can cause cell damage.

- **Avoid dangerous environments** – Do not charge the battery pack in rain, snow or in damp or wet locations.

Do not use the battery pack or charger in the presence of explosive atmospheres (gaseous fumes, dust or flammable materials) because sparks may be generated when inserting or removing the battery pack, which could lead to a fire.

- **Charge in a well-ventilated area** – Do not block the charger vents. Keep them clear to allow for proper ventilation. Do not allow smoking or open flames near a charging battery pack. Vented gases may explode.

**NOTE:** The safe temperature range for the battery charging is -4°F to 113°F. Do not charge the battery outside in freezing weather; charge it at room temperature.

- **Maintain charger cord** – When unplugging the charger, pull the plug, not the cord, from the receptacle to reduce the risk of damage to the electrical plug and cord. Never carry the charger by its cord or yank it by the cord to disconnect it from the receptacle. Keep the cord away from heat, oil and sharp edges. Make sure the cord will not be stepped on, tripped over or subjected to damage or stress when the charger is in use. Do not use the charger with a damaged cord or plug. Replace a damaged charger immediately.

- **Do not use an extension cord unless it is absolutely necessary** – Using the wrong, damaged or improperly wired extension cord poses a risk of fire and electric shock. If an extension cord must be used, plug the charger into a properly wired 16 gauge or larger extension cord with the female plug matching the male plug on the charger. Make sure that the extension cord is in good electrical condition.

- **Charger is rated for 120 volt AC only** – The charger must be plugged into an appropriate receptacle.

- **Use only recommended attachments** – Use of an attachment not recommended or sold by WEN Products may result in risk of fire, electric shock or personal injury.

- **Unplug charger when not in use** – Make sure to remove battery packs from unplugged chargers.

- **Do not burn or incinerate battery packs** – Battery packs may explode, causing personal injury or damage. Toxic fumes and materials are created when battery packs are burned.

- **Do not crush, drop or damage battery packs** – Do not use the battery pack or charger if they have sustained a sharp blow, been dropped, run over or have been damaged in any way (i.e. pierced with a nail, hit with a hammer, stepped on, etc.).

- **Do not disassemble** – Incorrect reassembly may pose a serious risk of electric shock, fire or exposure to toxic battery chemicals. If the battery or charger are damaged, call WEN customer service at **1-800-232-1195** for assistance.

- **Battery chemicals cause serious burns** – Never let a damaged battery pack contact the skin, eyes or mouth. If a damaged battery pack leaks battery chemicals, use rubber or neoprene gloves to safely dispose of it. If skin is exposed to battery fluids, wash the affected area with soap and water and rinse with vinegar. If eyes are exposed to battery chemicals, immediately flush with water for 20 minutes and seek medical attention. Remove and dispose of contaminated clothing.

- **Do not short circuit** – A battery pack will short circuit if a metal object makes a connection between the positive and negative contacts on the battery pack. Do not place a battery pack near anything that may cause a short circuit, such as paper clips, coins, keys, screws, nails and other metallic objects. A short-circuited battery pack poses a risk of fire and severe personal injury.

- **Store your battery pack and charger in a cool, dry place** – Do not store the battery pack or charger where temperatures may exceed 104 °F, such as in direct sunlight or inside a vehicle or metal building during the summer.



# BATTERY & CHARGER INSTRUCTIONS

Despite all the safety precautions, caution must always be exercised when handling batteries. The following points must be obeyed at all times to ensure safe use. Safe use can only be guaranteed if undamaged cells are used. Incorrect handling of the battery pack can cause cell damage.

## ABOUT THE BATTERY

1. The battery pack supplied with your cordless tool is only partially charged. The battery pack has to be charged completely before you use the tool for the first time.

2. For optimum battery performance, avoid low discharge cycles by charging the battery pack frequently.

3. Lithium-ion batteries are subject to a natural aging process. The battery pack must be replaced at the latest when its capacity falls to just 80% of its capacity when new. Weakened cells in an aged battery pack are no longer capable of meeting the high power requirements needed for the proper operation of your tool, and therefore pose a safety risk.

4. Do not throw battery packs into an open fire as this poses a risk of explosion. Do not ignite the battery pack or expose it to fire.

5. Do not exhaustively discharge batteries. Exhaustive discharge will damage the battery cells. The most common cause of exhaustive discharge is lengthy storage or non-use of partially discharged batteries. Stop working as soon as the performance of the battery falls noticeably or the electronic protection system triggers. Place the battery pack in storage only after it has been fully charged.

6. Protect batteries and the tool from overloads. Overloads will quickly result in overheating and cell damage inside the battery housing even if this overheating is not apparent externally.

7. Avoid damage and shocks. Immediately replace batteries that have been dropped from a height of more than one meter or those that have been exposed to violent shocks, even if the housing of the battery pack appears to be undamaged. The battery cells inside the battery may have suffered serious damage. In such instances, please read the waste disposal information for proper battery disposal.

8. If the battery pack suffers overloading and overheating, the integrated protective cutoff will switch off the equipment for safety reasons.


9. Use only original battery packs. The use of other batteries poses a fire risk and may result in injuries or an explosion.

## CHARGER

Protect the battery charger and its cord from damage. Keep the charger and its cord away from heat, oil and sharp edges. Electrical plugs must match the outlet. Never modify the plug in any way. Do not use any adapter plugs with grounded appliances. Unmodified plugs and matching outlets will reduce the risk of electric shock.

Keep the battery charger, battery pack(s) and the cordless tool out of the reach of children. Do not use the supplied battery charger to charge other cordless tools. During periods of heavy use, the battery pack will become warm. Allow the battery pack to cool to room temperature before inserting it into the charger to recharge.

Do not overcharge batteries. Do not exceed maximum charging times. These charging times only apply to discharged batteries. Frequent insertion of a charged or partially charged battery pack will result in overcharging and cell damage. Do not leave battery in the charger for days on end. Never use or charge a battery if you suspect that it has been more than 12 months since the last time they were charged. There is a high probability that battery pack has already suffered dangerous damage (exhaustive discharge). Do not use battery that has been exposed to heat during the charging process, as the battery cells may have suffered dangerous damage. Do not use battery that has suffered curvature or deformation during the charging process or those that exhibit other atypical symptoms (gassing, hissing, cracking, etc.)

 **WARNING!** Waste electrical products should not be disposed of with household waste. Please recycle where facilities exist. Check with your local authority or retailer for recycling advice.



# ELECTRICAL INFORMATION


## GROUNDING INSTRUCTIONS (FOR CHARGER)


**IN THE EVENT OF A MALFUNCTION OR BREAKDOWN**, grounding provides the path of least resistance for an electric current and reduces the risk of electric shock. This tool is equipped with an electric cord that has an equipment grounding conductor and a grounding plug. The plug **MUST** be plugged into a matching outlet that is properly installed and grounded in accordance with ALL local codes and ordinances.

**DO NOT MODIFY THE PLUG PROVIDED.** If it will not fit the outlet, have the proper outlet installed by a licensed electrician.

**IMPROPER CONNECTION** of the equipment grounding conductor can result in electric shock. The conductor with the green insulation (with or without yellow stripes) is the equipment grounding conductor. If repair or replacement of the electric cord or plug is necessary, **DO NOT** connect the equipment grounding conductor to a live terminal.

**CHECK** with a licensed electrician or service personnel if you do not completely understand the grounding instructions or whether the tool is properly grounded.

 **CAUTION!** In all cases, make certain the outlet in question is properly grounded. If you are not sure, have a licensed electrician check the outlet.

 **WARNING!** This charger is for indoor use only. Do not expose either the tool, the battery or the charger to rain or use in damp locations.

## GUIDELINES FOR EXTENSION CORDS

Make sure your extension cord is in good condition. When using an extension cord, be sure to use one heavy enough to carry the current your product will draw. An undersized cord will cause a drop in line voltage resulting in loss of power and overheating. The table below shows the correct size to be used according to cord length and nameplate ampere rating. When in doubt, use a heavier cord. The smaller the gauge number, the heavier the cord.

Make sure your extension cord is properly wired and in good condition. Always replace a damaged extension cord or have it repaired by a qualified person before using it.

Protect your extension cords from sharp objects, excessive heat and damp/wet areas.

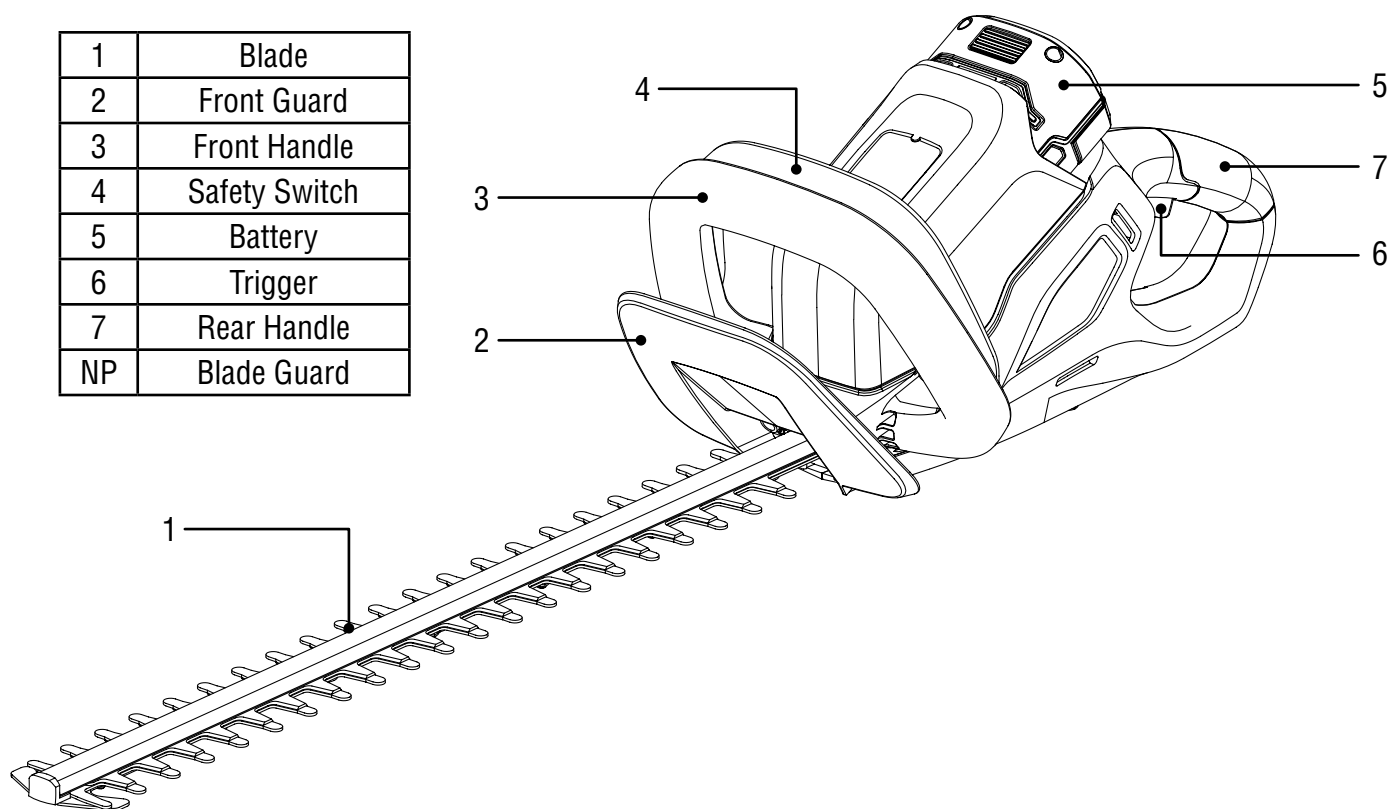
AMPERAGE	REQUIRED GAUGE FOR EXTENSION CORDS			
	25 ft.	50 ft.	100 ft.	150 ft.
2.5A	18 gauge	16 gauge	14 gauge	12 gauge

Use a separate electrical circuit for your tools. This circuit must not be less than a #12 wire and should be protected with a 15 A time-delayed fuse. Before connecting the motor to the power line, make sure the switch is in the OFF position and the electric current is rated the same as the current stamped on the motor nameplate. Running at a lower voltage will damage the motor.

 **WARNING!** This tool must be grounded while in use to protect the operator from electric shock.

# KNOW YOUR HEDGE TRIMMER

1	Blade
2	Front Guard
3	Front Handle
4	Safety Switch
5	Battery
6	Trigger
7	Rear Handle
NP	Blade Guard



## OPERATION

**⚠ WARNING!** Always be sure to remove the battery before adjusting, adding accessories, or checking a function on the tool.

### REMOVING AND CHARGING THE BATTERY

1. Press the lock button on the top center of the battery to slide it out of the hedge trimmer.
2. Place the battery pack into the charger by sliding it into a locked position until it clicks
3. When the green light is flashing, the battery is charging. If the green light is no longer flashing, the battery is fully charged.

### ATTACH /REMOVE THE BATTERY

**NOTE:** The battery is not fully charged at the time of purchase. Before using the hedge trimmer for the first time, place the battery in the charger and charge it fully.

To insert the battery, slide it into the back of the hedge trimmer until a “click” is heard. Make sure the battery is fully inserted and latched into position. To remove the battery, press the release button and slide the battery out of the hedge trimmer. This is the same way to insert and remove the battery from the charging station.

**⚠ WARNING!** Do not insert or remove the battery while the trigger is pressed or while the blade is in motion.

## OPERATION

### PREPARING THE HEDGE TRIMMER

Before starting the hedge trimmer, check that the trigger switches and safety switches are moving freely, returning automatically and quickly upon release. Also check that the cooling air vents are not obstructed and that both the front and rear handles are clean and dry.

After making sure that the hedge trimmer isn't demonstrating any symptoms of damage and that the battery has been fully charged, you are ready to begin trimming hedges.

### STARTING THE HEDGE TRIMMER

The hedge trimmer is equipped with a two-handed safety switch. In order to power the machine on, you must press both the front handle's safety switch and the rear handle's trigger switch simultaneously.

Always hold the hedge trimmer with both hands during operation.

### TRIMMING HEDGES WITH THE HEDGE TRIMMER

Don't let its name deceive you. A hedge trimmer is primarily used to cut hedges, but can also be used on shrubs and bushes as well. For the best results, angle the blade of the hedge trimmer 15° from the targeted hedge.

A string or tie can be used as a guideline in order to create a level hedge. Just position the string at the preferred height and cut everything that protrudes past it.

The unit can be used in either direction. Use a sweeping motion back and forth for even cuts. Avoid cutting limbs and branches larger than 2/3 of an inch. Do not force the hedge trimmer through heavy shrubbery. If the blades become jammed, immediately release the trigger and remove the battery pack. NOTE: never uninstall the battery pack while the blade is still in motion or while the trigger is pressed.

Always be careful of flying debris during operation. Wear gloves when trimming thorny or prickly foliage.

## MAINTENANCE

 **WARNING!** Always be sure to remove the battery before adjusting, cleaning, or checking a function on the tool.

### CLEANING THE HEDGE TRIMMER

Keep all safety devices, air vents, and motor housing free of debris and dirt. Wipe down the equipment with a cloth and/or compressed air. It is highly suggested that you clean the device after every use. Do not use cleaning agents, as these can attack the plastic and weaken the structural integrity of the hedge trimmer. Remove deposits from the guard hood with a brush.

### CARBON BRUSHES

The carbon brushes need to be replaced by a qualified service technician. Do not attempt to replace them yourself.

### LUBRICATION

For a long lifespan, make sure that the cutters are cleaned and lubricated at regular intervals in order to ensure the best possible performance. Routinely apply a thin film of lubricating oil.

# MAINTENANCE

## **SHARPENING THE BLADES**

Before sharpening, let the blades of the hedge trimmer come to a complete stop; it will make them much easier to sharpen if they are not moving. After uninstalling the battery, clamp the blade assembly into a vise. Ensure the main body is adequately supported to avoid damage. File down the exposed cutting surface of each blade with an 8 inch smooth round file with a diameter of 1/4 to 7/32 of an inch. Make sure to retain the original angle of the cutter teeth when filing.

In order to file both sides of each cutter tooth, you may need to momentarily run the hedge trimmer until the opposing side of the cutter teeth are exposed. Do not run the hedge while it is locked into the vise. Make sure all tools for sharpening have been removed before installing the battery. Remove the battery pack and repeat the sharpening process for the newly exposed teeth.

## **STORAGE AND TRANSPORTATION**

Always remove the battery pack and replace the blade cover before storing or transporting the hedge trimmer. Avoid the sharp teeth of the blade when doing so. It is highly recommended to clean the hedge trimmer before storing it (refer to “Cleaning the Hedge Trimmer”). Store in a place where the trimmer cannot be easily accessed by children or untrustworthy foes.

## **BATTERY**

1. Make sure the battery is fully charged before storage in order to maximize the life of the battery.
2. Do not store the battery pack on the tool.
3. After charging, the battery pack may be stored in the charger, as long as the charger is not plugged in.

## **CHARGER**

1. Keep the charger clean and clear of debris. Do not allow foreign material to get into the recessed cavity or onto the contacts. Wipe the charger clean with a dry cloth. Do not use solvents or water, and do not place the charger in wet conditions.
2. Unplug the charger when there is no battery in it.
3. Fully charge the battery before placing it in storage.
4. Store the charger at normal room temperature. Do not store it in excessive heat. Do not use the charger in direct sunlight or in damp conditions. Do not charge outside. Recharge at room temperature. If the battery is hot, allow it to cool down before recharging.

## STORAGE

Examine the cordless hedge trimmer thoroughly for worn, loose or damaged parts. If you need to repair or replace a part, contact WEN customer service at 1-800-232-1195.

Clean the unit before storing or transporting. Be sure to secure the unit while transporting.

Remove the battery before storing.

Store in a clean, dry place. Cover it in order to provide added protection.

Always store battery and charger indoors.



This shipment contains lithium ion batteries:

Please handle with care. Fragile contents. Keep dry.

A flammable hazard exists if this package becomes damaged.

Special procedures must be followed in the event this package becomes damaged. Call the number below for a Safety Data Sheet.

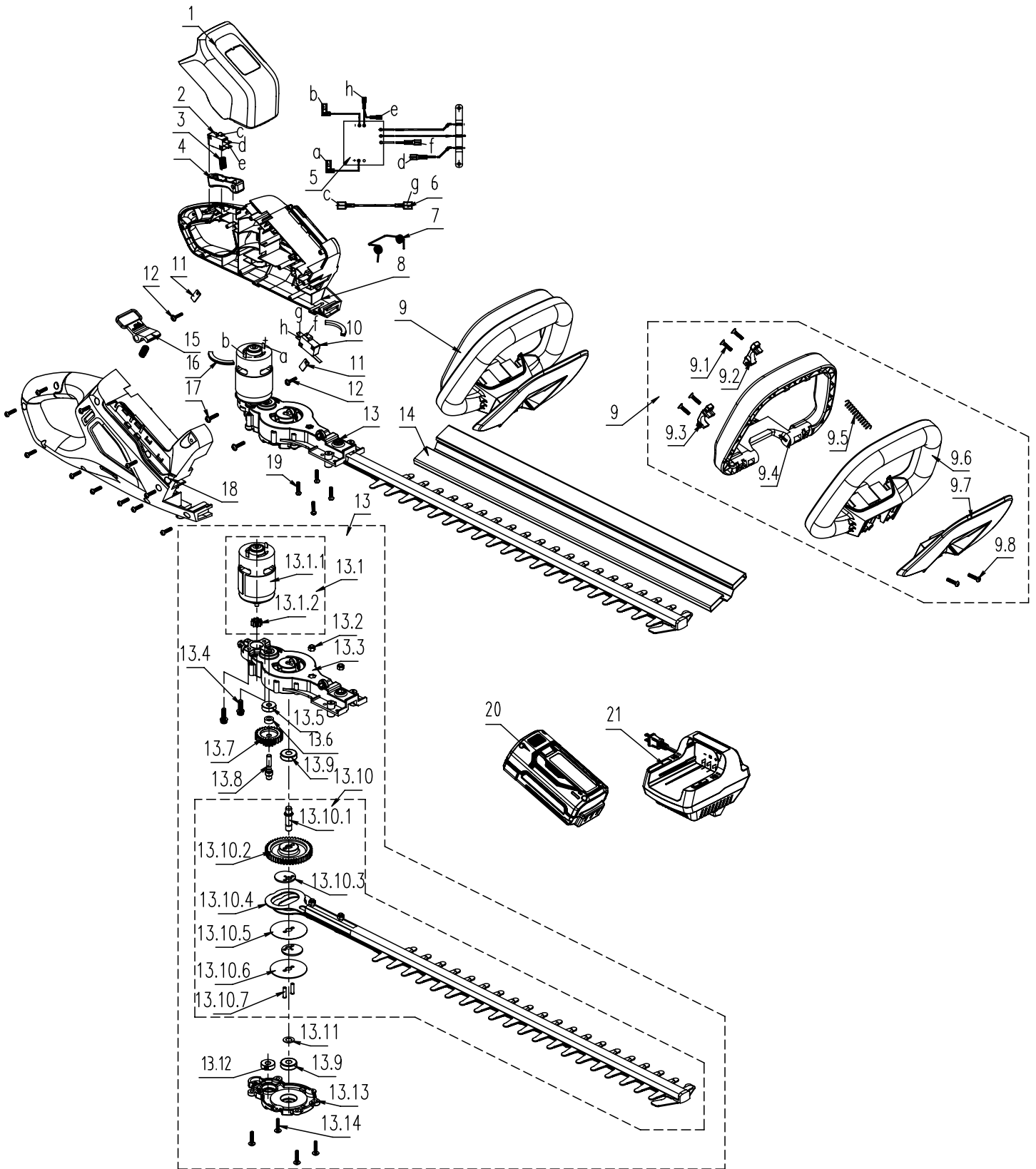
For more information call **1-800-232-1195**.

## EXPLODED VIEW & PARTS LIST

No.	Part No.	Description	Qty.
1	40415-001	Battery Housing	1
2	40415-002	Switch	1
3	40415-003	Switch Spring	2
4	40415-004	Trigger	1
5	40415-005	PCB Board	1
6	40415-006	PCB Guard	1
7	40415-007	Battery Spring	1
8	40415-008	Left Housing	1
9	40415-009	Handle Assembly	1
9.1		Countersunk Screws	4
9.2		Left Plate	1
9.3		Right Plate	1
9.4		Front Handle	1
9.5		Spring	1
9.6		Handle Support	1
9.7		Hand Guard	1
9.8		Screws	2
10	40415-010	Switch	1
11	40415-011	Insulator	2
12	40415-012	Screw	2
13	40415-013	Gear Box Assembly	1
13.1	40415-M	Motor Assembly	1
13.1.1		Stator / Rotor	1
13.1.2		Motor Gear	1
13.2	40415-014	Hex Nuts	2
13.3	40415-015	Gear Box	1

No.	Part No.	Description	Qty.
13.4	40415-015	Screw	2
13.5	40415-016	626 Bearing	1
13.6	40415-017	Spindle Bushing	1
13.7	40415-018	Gear	1
13.8	40415-019	Output Shaft	1
13.9	40415-020	608Z Bearing	2
13.10	40415-021	Output Shaft Assembly	1
13.10.1	40415-022	Output Shaft	1
13.10.2	40415-023	Drive Gear	1
13.10.3	40415-024	Wobbler	2
13.10.4	40415-025	Blade Assembly	1
13.10.5	40415-026	Blade Spacer	1
13.10.6	40415-027	Base Plate	1
13.10.7	40415-028	Pin	2
13.11	40415-029	Bushing	1
13.12	40415-030	607 Bearing	1
13.13	40415-031	End Cover	1
13.14	40415-032	Screw	4
14	40415-033	Guide Bar Sheath	1
15	40415-034	Battery Latch	1
16	40415-035	Insulator	2
17	40415-036	Screw	2
18	40415-037	Right Housing	1
19	40415-038	Screws	15
20	40401	Battery	1
21	40400	Charger	1

# EXPLODED VIEW & PARTS LIST





# WARRANTY STATEMENT

WEN Products is committed to building tools that are dependable for years. Our warranties are consistent with this commitment and our dedication to quality.

## LIMITED WARRANTY OF WEN PRODUCTS FOR HOME USE

GREAT LAKES TECHNOLOGIES, LLC (“Seller”) warrants to the original purchaser only, that all WEN consumer power tools will be free from defects in material or workmanship during personal use for a period of two (2) years from date of purchase or 500 hours of use; whichever comes first. Ninety days for all WEN products if the tool is used for professional or commercial use. Purchaser has 30 days from the date of purchase to report missing or damaged parts.

SELLER’S SOLE OBLIGATION AND YOUR EXCLUSIVE REMEDY under this Limited Warranty and, to the extent permitted by law, any warranty or condition implied by law, shall be the replacement of parts, without charge, which are defective in material or workmanship and which have not been subjected to misuse, alteration, careless handling, misrepair, abuse, neglect, normal wear and tear, improper maintenance, or other conditions adversely affecting the Product or the component of the Product, whether by accident or intentionally, by persons other than Seller. To make a claim under this Limited Warranty, you must make sure to keep a copy of your proof of purchase that clearly defines the Date of Purchase (month and year) and the Place of Purchase. Place of Purchase must be a direct vendor of Great Lakes Technologies, LLC. Purchasing through third party vendors, including but not limited to garage sales, pawn shops, resale shops, or any other secondhand merchant, voids the warranty included with this product. Contact [techsupport@wenproducts.com](mailto:techsupport@wenproducts.com) or 1-800-232-1195 with the following information to make arrangements: your shipping address, phone number, serial number, required part numbers, and proof of purchase. Damaged or defective parts and products may need to be sent to WEN before the replacements can be shipped out.

Upon the confirmation of a WEN representative, your product may qualify for repairs and service work. When returning a product for warranty service, the shipping charges must be prepaid by the purchaser. The product must be shipped in its original container (or an equivalent), properly packed to withstand the hazards of shipment. The product must be fully insured with a copy of the proof of purchase enclosed. There must also be a description of the problem in order to help our repairs department diagnose and fix the issue. Repairs will be made and the product will be returned and shipped back to the purchaser at no charge for addresses within the contiguous United States.

THIS LIMITED WARRANTY DOES NOT APPLY TO ITEMS THAT WEAR OUT FROM REGULAR USAGE OVER TIME, INCLUDING BELTS, BRUSHES, BLADES, BATTERIES, ETC. ANY IMPLIED WARRANTIES SHALL BE LIMITED IN DURATION TO TWO (2) YEARS FROM DATE OF PURCHASE. SOME STATES IN THE U.S. AND SOME CANADIAN PROVINCES DO NOT ALLOW LIMITATIONS ON HOW LONG AN IMPLIED WARRANTY LASTS, SO THE ABOVE LIMITATION MAY NOT APPLY TO YOU.

IN NO EVENT SHALL SELLER BE LIABLE FOR ANY INCIDENTAL OR CONSEQUENTIAL DAMAGES (INCLUDING BUT NOT LIMITED TO LIABILITY FOR LOSS OF PROFITS) ARISING FROM THE SALE OR USE OF THIS PRODUCT. SOME STATES IN THE U.S. AND SOME CANADIAN PROVINCES DO NOT ALLOW THE EXCLUSION OR LIMITATION OF INCIDENTAL OR CONSEQUENTIAL DAMAGES, SO THE ABOVE LIMITATION OR EXCLUSION MAY NOT APPLY TO YOU.

THIS LIMITED WARRANTY GIVES YOU SPECIFIC LEGAL RIGHTS, AND YOU MAY ALSO HAVE OTHER RIGHTS WHICH VARY FROM STATE TO STATE IN THE U.S., PROVINCE TO PROVINCE IN CANADA AND FROM COUNTRY TO COUNTRY.

THIS LIMITED WARRANTY APPLIES ONLY TO ITEMS SOLD WITHIN THE UNITED STATES OF AMERICA, CANADA AND THE COMMONWEALTH OF PUERTO RICO. FOR WARRANTY COVERAGE WITHIN OTHER COUNTRIES, CONTACT THE WEN CUSTOMER SUPPORT LINE. FOR WARRANTY PARTS OR PRODUCTS REPAIRED UNDER WARRANTY SHIPPING TO ADDRESSES OUTSIDE OF THE CONTIGUOUS UNITED STATES, ADDITIONAL SHIPPING CHARGES MAY APPLY.