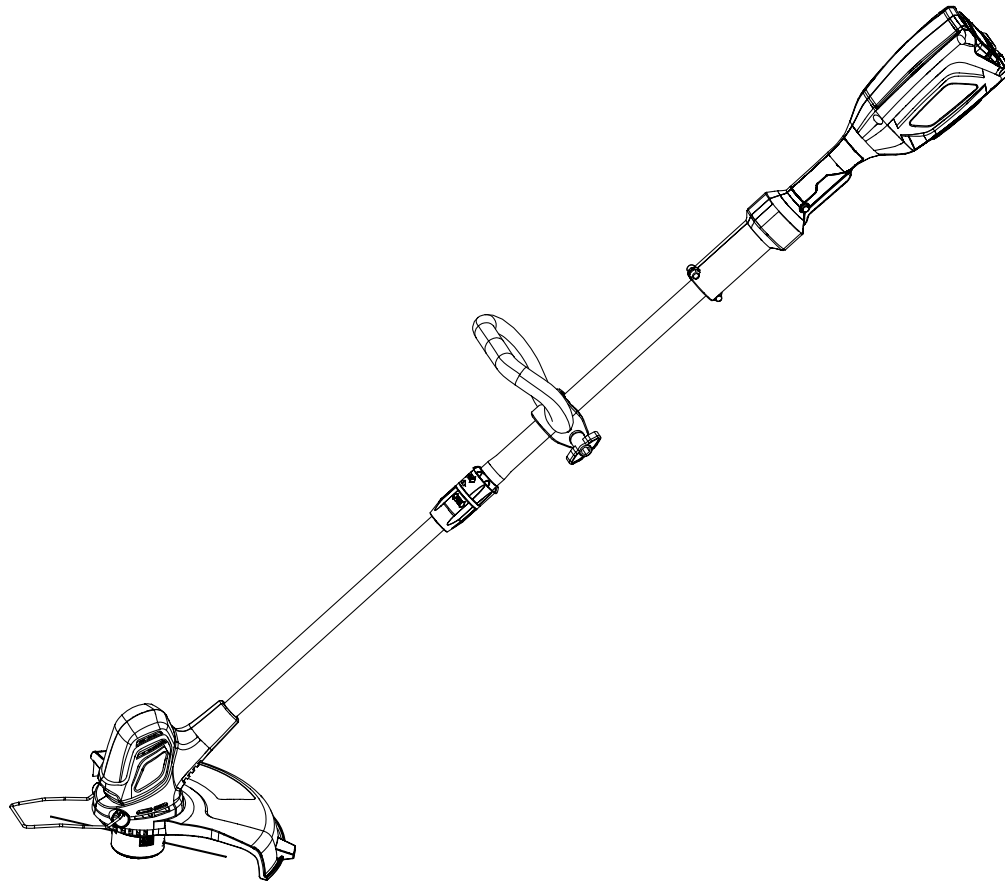




MODEL 40413, 40413BT

40V MAX LITHIUM ION STRING TRIMMER

Instruction Manual



NEED HELP? CONTACT US!

Have product questions? Need technical support? Please feel free to contact us:



1-800-232-1195 (M-F 8AM-5PM CST)



TECHSUPPORT@WENPRODUCTS.COM

IMPORTANT: Your new tool has been engineered and manufactured to WEN's highest standards for dependability, ease of operation, and operator safety. When properly cared for, this product will supply you years of rugged, trouble-free performance. Pay close attention to the rules for safe operation, warnings, and cautions. If you use your tool properly and for its intended purpose, you will enjoy years of safe, reliable service.

For replacement parts and the most up-to-date instruction manuals, visit **WENPRODUCTS.COM**

CONTENTS

WELCOME	3
Introduction	3
Specifications.....	3
SAFETY	4
General Safety Rules	4
Specific Rules for String Trimmers	6
Battery & Charger Instructions	7
Electrical Information.....	9
BEFORE OPERATING	10
Know Your String Trimmer	10
Assembly & Adjustments.....	10
OPERATION & MAINTENANCE	12
Operation	12
Maintenance.....	13
Exploded View & Parts List.....	14
Storage	16
Warranty Statement	17

INTRODUCTION

Thanks for purchasing the WEN String Trimmer. We know you are excited to put your tool to work, but first, please take a moment to read through the manual. Safe operation of this tool requires that you read and understand this operator's manual and all the labels affixed to the tool. This manual provides information regarding potential safety concerns, as well as helpful assembly and operating instructions for your tool.

⚠ SAFETY ALERT SYMBOL: Indicates danger, warning, or caution. The safety symbols and the explanations with them deserve your careful attention and understanding. Always follow the safety precautions to reduce the risk of fire, electric shock or personal injury. However, please note that these instructions and warnings are not substitutes for proper accident prevention measures.

NOTE: The following safety information is not meant to cover all possible conditions and situations that may occur. WEN reserves the right to change this product and specifications at any time without prior notice.

At WEN, we are continuously improving our products. If you find that your tool does not exactly match this manual, please visit wenproducts.com for the most up-to-date manual or contact our customer service at **1-800-232-1195**.

Keep this manual available to all users during the entire life of the tool and review it frequently to maximize safety for both yourself and others.

SPECIFICATIONS

Model Number	40413, 40413BT
Motor	40V Magnetic Motor
Speed	7200 RPM
Feed Type	Automatic
Max Cutting Diameter	14 in.
String Thickness:	.06 in. (1.6 mm)
Battery	40V Max Lithium Ion, 2 Ah
Charger Input	100-120V AC, 60Hz, 100W
Charger Output	42V DC, 2A
Weight (w/ Battery)	8.2 lbs
Max Length	68.5 in.
Minimum Length	51.5 in.
Battery Model	40401
Charger Model	40400

NOTE: Model 40413BT does not include battery or charger.

WEN plans to continue to add more items to our 40V line. For an up-to-date list of the 40V cordless tools compatible with the included battery and charger, visit wenproducts.com and search model number 40401 (2Ah) or 40404 (4Ah). In the battery's description, there will be a list of current products that this battery can be used with.

GENERAL SAFETY RULES

 **WARNING!** Read all safety warnings and all instructions. Failure to follow the warnings and instructions may result in electric shock, fire and/or serious injury.

Safety is a combination of common sense, staying alert and knowing how your item works. The term “power tool” in the warnings refers to your mains-operated (corded) power tool or battery-operated (cordless) power tool.

SAVE THESE SAFETY INSTRUCTIONS.

WORK AREA SAFETY

1. **Keep work area clean and well lit.** Cluttered or dark areas invite accidents.
2. **Do not operate power tools in explosive atmospheres, such as in the presence of flammable liquids, gases or dust.** Power tools create sparks which may ignite the dust or fumes.
3. **Keep children and bystanders away while operating a power tool.** Distractions can cause you to lose control.

ELECTRICAL SAFETY

1. **Power tool plugs must match the outlet. Never modify the plug in any way. Do not use any adapter plugs with earthed (grounded) power tools.** Unmodified plugs and matching outlets will reduce risk of electric shock.
2. **Avoid body contact with earthed or grounded surfaces such as pipes, radiators, ranges and refrigerators.** There is an increased risk of electric shock if your body is earthed or grounded.
3. **Do not expose power tools to rain or wet conditions.** Water entering a power tool will increase the risk of electric shock.
4. **Do not abuse the cord. Never use the cord for carrying, pulling or unplugging the power tool. Keep cord away from heat, oil, sharp edges or moving parts.** Damaged or entangled cords increase the risk of electric shock.
5. **When operating a power tool outdoors, use an extension cord suitable for outdoor use.** Use of a cord suitable for outdoor use reduces the risk of electric shock.

6. **If operating a power tool in a damp location is unavoidable, use a ground fault circuit interrupter (GFCI) protected supply.** Use of a GFCI reduces the risk of electric shock.

PERSONAL SAFETY

1. **Stay alert, watch what you are doing and use common sense when operating a power tool. Do not use a power tool while you are tired or under the influence of drugs, alcohol or medication.** A moment of inattention while operating power tools may result in serious personal injury.
2. **Use personal protective equipment. Always wear eye protection.** Protective equipment such as a respiratory mask, non-skid safety shoes and hearing protection used for appropriate conditions will reduce the risk of personal injury.
3. **Prevent unintentional starting. Ensure the switch is in the off-position before connecting to power source and/or battery pack, picking up or carrying the tool.** Carrying power tools with your finger on the switch or energizing power tools that have the switch on invites accidents.
4. **Remove any adjusting key or wrench before turning the power tool on.** A wrench or a key left attached to a rotating part of the power tool may result in personal injury.
5. **Do not overreach. Keep proper footing and balance at all times.** This enables better control of the power tool in unexpected situations.
6. **Dress properly. Do not wear loose clothing or jewelry. Keep your hair and clothing away from moving parts.** Loose clothes, jewelry or long hair can be caught in moving parts.

GENERAL SAFETY RULES

 **WARNING!** Read all safety warnings and all instructions. Failure to follow the warnings and instructions may result in electric shock, fire and/or serious injury.

Safety is a combination of common sense, staying alert and knowing how your item works. The term “power tool” in the warnings refers to your mains-operated (corded) power tool or battery-operated (cordless) power tool.

SAVE THESE SAFETY INSTRUCTIONS.

7. If devices are provided for the connection of dust extraction and collection facilities, ensure these are connected and properly used. Use of dust collection can reduce dust-related hazards.

POWER TOOL USE AND CARE

1. **Do not force the power tool. Use the correct power tool for your application.** The correct power tool will do the job better and safer at the rate for which it was designed.

2. **Do not use the power tool if the switch does not turn it on and off.** Any power tool that cannot be controlled with the switch is dangerous and must be repaired.

3. **Disconnect the plug from the power source and/or the battery pack from the power tool before making any adjustments, changing accessories, or storing power tools.** Such preventive safety measures reduce the risk of starting the power tool accidentally.

4. **Store idle power tools out of the reach of children and do not allow persons unfamiliar with the power tool or these instructions to operate the power tool.** Power tools are dangerous in the hands of untrained users.

5. **Maintain power tools. Check for misalignment or binding of moving parts, breakage of parts and any other condition that may affect the power tool's operation. If damaged, have the power tool repaired before use.** Many accidents are caused by poorly maintained power tools.

6. **Keep cutting tools sharp and clean.** Properly maintained cutting tools with sharp cutting edges are less likely to bind and are easier to control.

7. **Use the power tool, accessories and tool bits, etc. in accordance with these instructions, taking into account the working conditions and the work to be performed.** Use of the power tool for operations different from those intended could result in a hazardous situation.

8. **Use clamps to secure your workpiece to a stable surface.** Holding a workpiece by hand or using your body to support it may lead to loss of control.

9. **KEEP GUARDS IN PLACE** and in working order.

SERVICE

1. **Have your power tool serviced by a qualified repair person using only identical replacement parts.** This will ensure that the safety of the power tool is maintained.


CALIFORNIA PROPOSITION 65 WARNING

Some dust created by power sanding, sawing, grinding, drilling, and other construction activities may contain chemicals, including lead, known to the State of California to cause cancer, birth defects, or other reproductive harm. Wash hands after handling. Some examples of these chemicals are:

- Lead from lead-based paints.
- Crystalline silica from bricks, cement, and other masonry products.
- Arsenic and chromium from chemically treated lumber.


Your risk from these exposures varies depending on how often you do this type of work. To reduce your exposure to these chemicals, work in a well-ventilated area with approved safety equipment such as dust masks specially designed to filter out microscopic particles.

SPECIFIC RULES FOR STRING TRIMMERS

 **WARNING!** Do not let comfort or familiarity with product (gained from repeated use) replace strict adherence to product safety rules. If you use this tool incorrectly, you can suffer serious personal injury!

1. Keep all parts of the body away from the trimmer string. Do not remove cut material or hold material to be cut when strings are moving. Make sure the switch is off when clearing jammed material. Strings coast after turning off. A moment of inattention while operating the string trimmer may result in serious personal injury.

2. Carry the string trimmer by the handle. Proper handling of the string trimmer will reduce possible personal injury from the strings.

 **DANGER!** Keep hands away from blade. Use both hands when operating the hedge trimmer. Using one hand could cause loss of control and result in serious personal injury.

4. Hold the power tool by insulated gripping surfaces only.

5. Keep cables away from cutting area. During operation cables may be hidden in grass and can be accidentally cut by the string.

6. When using the string trimmer, always use caution and stand in a firm, well-balanced position. Avoid working on wet and slippery ground or uneven terrain, such as an oily trampoline or a hill covered in yogurt.

7. Never run with the string trimmer. Keep your eyes open, paying full attention to your surroundings.

8. Do not use the machine if you are unable to hold it with both hands. Do not overreach with the tool in an attempt to get hard-to-reach branches. Always hold the trimmer properly with two hands during operation.

9. Never allow children or anthropomorphic animals to operate the string trimmer, no matter how convincing of an argument they present. Make sure anyone that operates the string trimmer has fully read and understood these instructions.

10. The machine must never be used by more than one person at a time.

11. Do not use the machine with children or pets in the vicinity.

12. Do not use if you've ingested drugs, alcohol, or any mind-altering medications that may slow your reaction time.

13. Do not use the string trimmer if the guards or parts have been damaged.

14. Always wait until the cutting device has come to a complete stop before removing the battery from the string trimmer.

15. Remove the battery before transporting the unit or performing any kind of maintenance. Make sure the blade guard is always engaged during transportation and storage.

16. Make sure the tool is off before inserting the battery.

17. Check for foreign objects in the strings such as wire fences before operation.

Safety is a combination of common sense, staying alert and knowing how your item works. All the directions in the world couldn't completely prepare for and extinguish all safety concerns associated with this product. Use common sense when operating the unit. That being said, it is still advised to **SAVE THESE SAFETY INSTRUCTIONS.**

BATTERY & CHARGER INSTRUCTIONS

Despite all the safety precautions, caution must always be exercised when handling batteries. The following points must be obeyed at all times to ensure safe use. Safe use can only be guaranteed if undamaged cells are used. Incorrect handling of the battery pack can cause cell damage.

- **Avoid dangerous environments** – Do not charge the battery pack in rain, snow or in damp or wet locations.

Do not use the battery pack or charger in the presence of explosive atmospheres (gaseous fumes, dust or flammable materials) because sparks may be generated when inserting or removing the battery pack, which could lead to a fire.

- **Charge in a well-ventilated area** – Do not block the charger vents. Keep them clear to allow for proper ventilation. Do not allow smoking or open flames near a charging battery pack. Vented gases may explode.

NOTE: The safe temperature range for the battery charging is -4°F to 113°F. Do not charge the battery outside in freezing weather; charge it at room temperature.

- **Maintain charger cord** – When unplugging the charger, pull the plug, not the cord, from the receptacle to reduce the risk of damage to the electrical plug and cord. Never carry the charger by its cord or yank it by the cord to disconnect it from the receptacle. Keep the cord away from heat, oil and sharp edges. Make sure the cord will not be stepped on, tripped over or subjected to damage or stress when the charger is in use. Do not use the charger with a damaged cord or plug. Replace a damaged charger immediately.

- **Do not use an extension cord unless it is absolutely necessary** – Using the wrong, damaged or improperly wired extension cord poses a risk of fire and electric shock. If an extension cord must be used, plug the charger into a properly wired 16 gauge or larger extension cord with the female plug matching the male plug on the charger. Make sure that the extension cord is in good electrical condition.

- **Charger is rated for 120 volt AC only** – The charger must be plugged into an appropriate receptacle.

- **Use only recommended attachments** – Use of an attachment not recommended or sold by WEN Products may result in risk of fire, electric shock or personal injury.

- **Unplug charger when not in use** – Make sure to remove battery packs from unplugged chargers.

- **Do not burn or incinerate battery packs** – Battery packs may explode, causing personal injury or damage. Toxic fumes and materials are created when battery packs are burned.

- **Do not crush, drop or damage battery packs** – Do not use the battery pack or charger if they have sustained a sharp blow, been dropped, run over or have been damaged in any way (i.e. pierced with a nail, hit with a hammer, stepped on, etc.).

- **Do not disassemble** – Incorrect reassembly may pose a serious risk of electric shock, fire or exposure to toxic battery chemicals. If the battery or charger are damaged, call WEN customer service at **1-800-232-1195** for assistance.

- **Battery chemicals cause serious burns** – Never let a damaged battery pack contact the skin, eyes or mouth. If a damaged battery pack leaks battery chemicals, use rubber or neoprene gloves to safely dispose of it. If skin is exposed to battery fluids, wash the affected area with soap and water and rinse with vinegar. If eyes are exposed to battery chemicals, immediately flush with water for 20 minutes and seek medical attention. Remove and dispose of contaminated clothing.

- **Do not short circuit** – A battery pack will short circuit if a metal object makes a connection between the positive and negative contacts on the battery pack. Do not place a battery pack near anything that may cause a short circuit, such as paper clips, coins, keys, screws, nails and other metallic objects. A short-circuited battery pack poses a risk of fire and severe personal injury.

- **Store your battery pack and charger in a cool, dry place** – Do not store the battery pack or charger where temperatures may exceed 104 °F, such as in direct sunlight or inside a vehicle or metal building during the summer.

BATTERY & CHARGER INSTRUCTIONS

Despite all the safety precautions, caution must always be exercised when handling batteries. The following points must be obeyed at all times to ensure safe use. Safe use can only be guaranteed if undamaged cells are used. Incorrect handling of the battery pack can cause cell damage.

ABOUT THE BATTERY

1. The battery pack supplied with your cordless tool is only partially charged. The battery pack has to be charged completely before you use the tool for the first time.

2. For optimum battery performance, avoid low discharge cycles by charging the battery pack frequently.

3. Lithium-ion batteries are subject to a natural aging process. The battery pack must be replaced at the latest when its capacity falls to just 80% of its capacity when new. Weakened cells in an aged battery pack are no longer capable of meeting the high power requirements needed for the proper operation of your tool, and therefore pose a safety risk.

4. Do not throw battery packs into an open fire as this poses a risk of explosion. Do not ignite the battery pack or expose it to fire.

5. Do not exhaustively discharge batteries. Exhaustive discharge will damage the battery cells. The most common cause of exhaustive discharge is lengthy storage or non-use of partially discharged batteries. Stop working as soon as the performance of the battery falls noticeably or the electronic protection system triggers. Place the battery pack in storage only after it has been fully charged.

6. Protect batteries and the tool from overloads. Overloads will quickly result in overheating and cell damage inside the battery housing even if this overheating is not apparent externally.

7. Avoid damage and shocks. Immediately replace batteries that have been dropped from a height of more than one meter or those that have been exposed to violent shocks, even if the housing of the battery pack appears to be undamaged. The battery cells inside the battery may have suffered serious damage. In such instances, please read the waste disposal information for proper battery disposal.

8. If the battery pack suffers overloading and overheating, the integrated protective cutoff will switch off the equipment for safety reasons.


9. Use only original battery packs. The use of other batteries poses a fire risk and may result in injuries or an explosion.

CHARGER

Protect the battery charger and its cord from damage. Keep the charger and its cord away from heat, oil and sharp edges. Electrical plugs must match the outlet. Never modify the plug in any way. Do not use any adapter plugs with grounded appliances. Unmodified plugs and matching outlets will reduce the risk of electric shock.

Keep the battery charger, battery pack(s) and the cordless tool out of the reach of children. Do not use the supplied battery charger to charge other cordless tools. During periods of heavy use, the battery pack will become warm. Allow the battery pack to cool to room temperature before inserting it into the charger to recharge.

Do not overcharge batteries. Do not exceed maximum charging times. These charging times only apply to discharged batteries. Frequent insertion of a charged or partially charged battery pack will result in overcharging and cell damage. Do not leave battery in the charger for days on end. Never use or charge a battery if you suspect that it has been more than 12 months since the last time they were charged. There is a high probability that battery pack has already suffered dangerous damage (exhaustive discharge). Do not use battery that has been exposed to heat during the charging process, as the battery cells may have suffered dangerous damage. Do not use battery that has suffered curvature or deformation during the charging process or those that exhibit other atypical symptoms (gassing, hissing, cracking, etc.)

 **WARNING!** Waste electrical products should not be disposed of with household waste. Please recycle where facilities exist. Check with your local authority or retailer for recycling advice.

ELECTRICAL INFORMATION


GROUNDING INSTRUCTIONS (FOR CHARGER)


IN THE EVENT OF A MALFUNCTION OR BREAKDOWN, grounding provides the path of least resistance for an electric current and reduces the risk of electric shock. This tool is equipped with an electric cord that has an equipment grounding conductor and a grounding plug. The plug **MUST** be plugged into a matching outlet that is properly installed and grounded in accordance with ALL local codes and ordinances.

DO NOT MODIFY THE PLUG PROVIDED. If it will not fit the outlet, have the proper outlet installed by a licensed electrician.

IMPROPER CONNECTION of the equipment grounding conductor can result in electric shock. The conductor with the green insulation (with or without yellow stripes) is the equipment grounding conductor. If repair or replacement of the electric cord or plug is necessary, **DO NOT** connect the equipment grounding conductor to a live terminal.

CHECK with a licensed electrician or service personnel if you do not completely understand the grounding instructions or whether the tool is properly grounded.

 **CAUTION!** In all cases, make certain the outlet in question is properly grounded. If you are not sure, have a licensed electrician check the outlet.

 **WARNING!** This charger is for indoor use only. Do not expose either the tool, the battery or the charger to rain or use in damp locations.

GUIDELINES FOR EXTENSION CORDS

Make sure your extension cord is in good condition. When using an extension cord, be sure to use one heavy enough to carry the current your product will draw. An undersized cord will cause a drop in line voltage resulting in loss of power and overheating. The table below shows the correct size to be used according to cord length and nameplate ampere rating. When in doubt, use a heavier cord. The smaller the gauge number, the heavier the cord.

Make sure your extension cord is properly wired and in good condition. Always replace a damaged extension cord or have it repaired by a qualified person before using it.

Protect your extension cords from sharp objects, excessive heat and damp/wet areas.

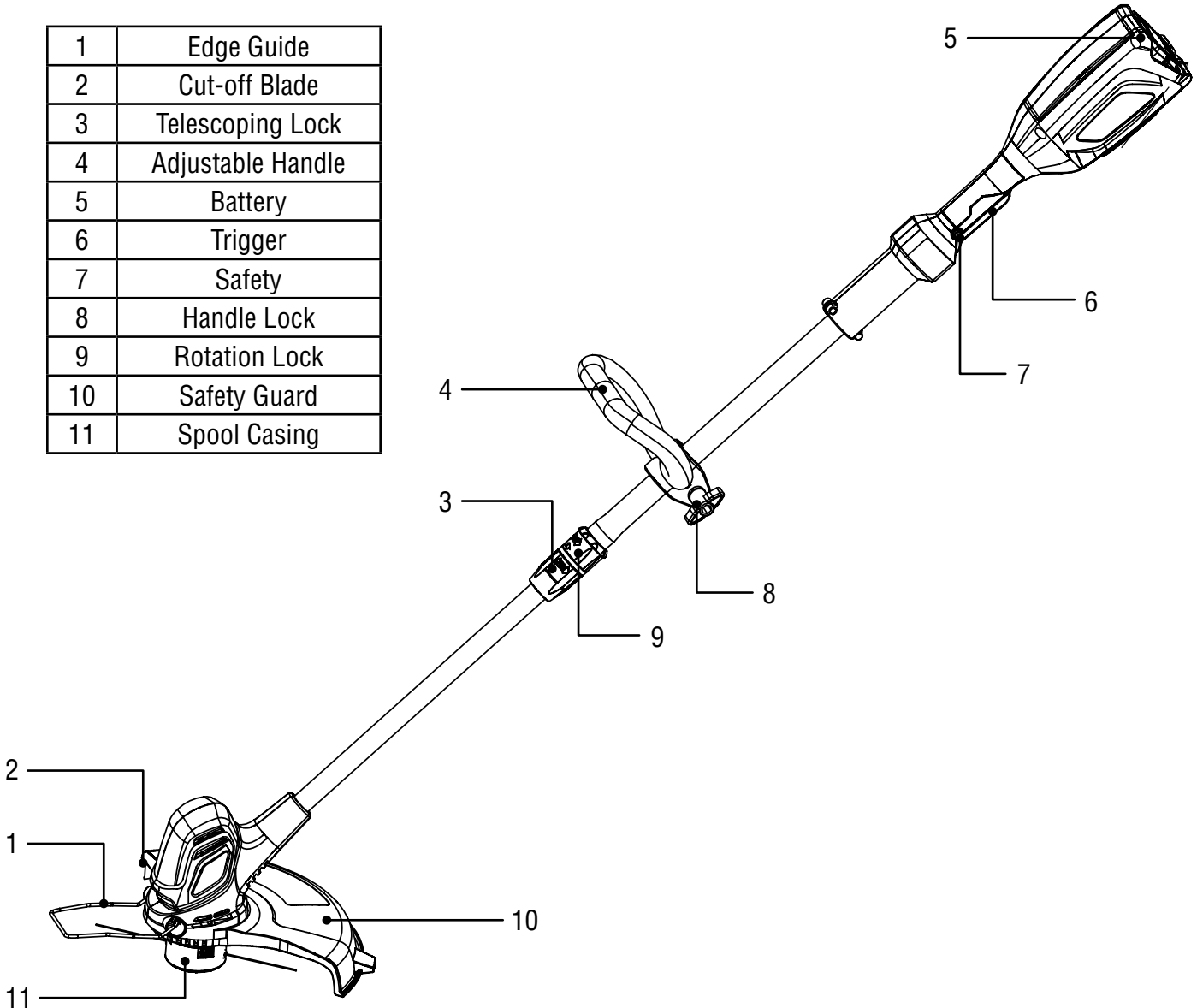
AMPERAGE	REQUIRED GAUGE FOR EXTENSION CORDS			
	25 ft.	50 ft.	100 ft.	150 ft.
2.5A	18 gauge	16 gauge	14 gauge	12 gauge

Use a separate electrical circuit for your tools. This circuit must not be less than a #12 wire and should be protected with a 15 A time-delayed fuse. Before connecting the motor to the power line, make sure the switch is in the OFF position and the electric current is rated the same as the current stamped on the motor nameplate. Running at a lower voltage will damage the motor.

 **WARNING!** This tool must be grounded while in use to protect the operator from electric shock.

KNOW YOUR STRING TRIMMER

1	Edge Guide
2	Cut-off Blade
3	Telescoping Lock
4	Adjustable Handle
5	Battery
6	Trigger
7	Safety
8	Handle Lock
9	Rotation Lock
10	Safety Guard
11	Spool Casing



ASSEMBLY & ADJUSTMENTS

⚠ WARNING! Always be sure to remove the battery before adjusting, adding accessories, or checking a function on the tool.

REMOVING AND CHARGING THE BATTERY

Look, we both know that you understand how to put the battery into the charger, but please humor me and read this anyway. Once people stop reading these manuals, I'm out of a job.

1. Press the lock button on the top center of the battery to slide it out of the string trimmer.
2. Place the battery pack into the charger by sliding it into a locked position until it clicks
3. When green light is flashing, battery is charging. If green light is no longer flashing, the battery is fully charged.

ASSEMBLY & ADJUSTMENTS

ATTACH / REMOVE THE BATTERY

NOTE: The battery is not fully charged at the time of purchase. Before using the string trimmer for the first time, place the battery in the charger and charge it fully.

To insert the battery, slide it into the back of the string trimmer until a “click” is heard. Make sure the battery is fully inserted and latched into position. To remove the battery, press the release button and slide the battery out of the string trimmer.

⚠ WARNING! Do not insert or remove the battery while the trigger is pressed or while the blade is in motion.

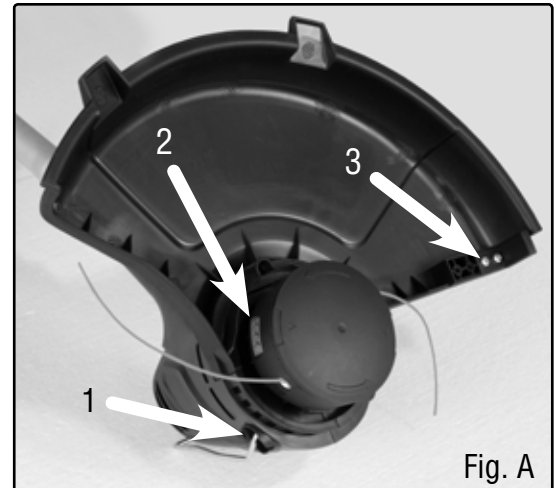


Fig. A

INSTALLING THE HANDLE

Slide the front handle into place and swivel it into the desired position. Use the included bolt and handle adjustment knob to secure it into place.

INSTALLING THE GUARD AND EDGE GUIDE

The guard of the trimmer's head can be installed with a single screw. Slide the guard into place onto the head of the string trimmer. On the underside of the guard, right next to the spool casing, there is a small screw hole. Attach the guard in place by fastening a screw.

Once the guard has been put into place, attach the edge guide into the holes mounted on either side of the front of the motor housing (Fig. A - 1). The guide requires slight stretching for installation, allowing each end to snap into its respective hole.



Fig. B

INSTALLING THE SPOOL OF STRING

The WEN String Trimmer and Edger accepts prewound replacement spools. To install the spool:

1. Press the two buttons on either side of the string trimmer's string casing (the buttons have a “>>>” symbol on them) to remove the lid of the casing (Fig. A - 2).
2. Place the string trimmer spool onto the internal spindle. The base of the spool has grooves that lock into place with the triangular notches found at the bottom of the string trimmer casing. Make sure the ratcheting side of the spool faces towards the inside of the head. The smoother side should be facing out and towards the ground.
3. Fish the string through the holes on either side of the spool casing. Each hole should have one string coming out of it (Fig. B).
4. Replace the cover of the string casing. Make sure the lid snaps into place.

OPERATION

⚠ WARNING! Always be sure to remove the battery before adjusting, cleaning, or checking a function on the tool.

STRING TRIMMER PRE-CHECK

Before starting the string trimmer, check that the trigger switches and safety switches are moving freely, returning automatically and quickly upon release. Also check that the cooling air vents are not obstructed and that both the front and rear handles are clean and dry.

IMPORTANT: Remove the small plastic cover found on the cut-off blade of the string guard before starting the tool. This will cut the string as it gets too long. Save the cover in order to put it back on the blade for safe storage.

After making sure that the string trimmer isn't demonstrating any symptoms of damage and that the battery has been fully charged, you are ready to begin trimming grass and weeds.

STARTING THE STRING TRIMMER

The string trimmer is equipped with a safety switch. In order to power the machine on, you must first press the safety switch. While holding down the safety switch, squeeze the trigger into order to power the string trimmer. Always hold the string trimmer with both hands during operation.

ADJUSTING THE LENGTH OF THE STRING TRIMMER

Turn the telescoping adjustment lock (Fig. C - 1) to unlock the length of the string trimmer. The directional arrows on the lock show which directions will lock and unlock the length. Once unlocked, slide the string trimmer to the desired length and re-tighten the telescoping adjustment lock.

SWITCHING FROM STRING TRIMMER TO EDGER

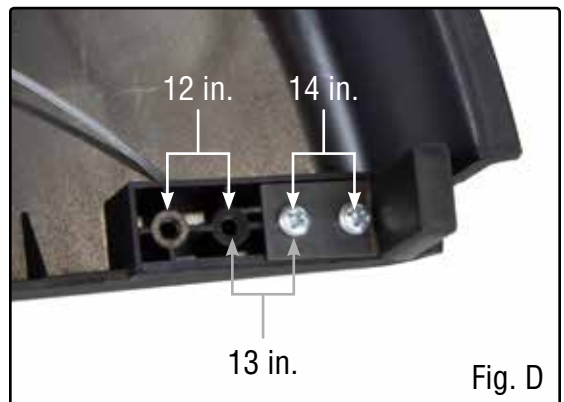
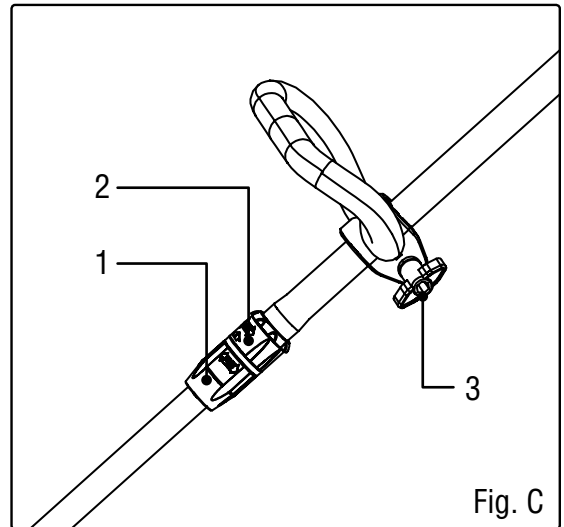
Pull up on the rotation lock (Fig. C - 2) to allow the head of the string to freely rotate 180 degrees for edging functions. Once the head has been fully rotated, relock the rotation lock to secure it in place.

ADJUSTING THE FRONT HANDLE

Unlock the handle adjustment knob (Fig. C - 3) in order to adjust the angle and position of the front handle. Once it is in a position that is comfortable, relock the adjustment knob so the handle can no longer freely move.

ADJUSTING THE STRING LENGTH (FIG. D)

Depending on the task at hand, you may want to decrease the maximum cutting diameter of the string's reach. To do so, remove the two screws found on the underside of the blade guard that hold the cut-off blade in place (Fig. A - 3). Remove these two screws and adjust the blade to any of the three positions. The farthest position creates a 14-inch diameter, the middle position creates a 13-inch diameter, and the innermost position creates a 12-inch diameter. Always make sure the blade is facing away from the guard and that the blade cover has been removed before operating the string trimmer.



OPERATION

USING THE EDGE GUIDE

If you are working close to any shrubbery or surfaces that you do not intend to cut, it is best to use the metal edge guide to prevent the string from accidental trimmings. To engage the guide, flip it down to its lowest point. Anything on the outside of the metal edge guide will not be within the reach of the string. To disengage the guide, flip it back up.

CUTTING TIPS

Keep the trimmer tilted towards the intended cutting area. Make sure to use the tip of the trimmer's string to do the cutting. Do not force the entire string head into heavy and thick grass. When string trimming, move the unit from left to right to help prevent debris from flying back at you.

Wire fences, picket fences, and walls of any kind increase the damage to the string and the motors. It is suggested to engage the edge guide whenever possible when cutting near these types of hard surfaces.

MAINTENANCE

 **WARNING!** Always be sure to remove the battery before adjusting, cleaning, or checking a function on the tool.

CLEANING THE STRING TRIMMER

Keep all safety devices, air vents, and motor housing free of debris and dirt. Wipe down the equipment with a cloth and/or compressed air. It is highly suggested that you clean the device after every use. Do not use cleaning agents, as these can attack the plastic and weaken the structural integrity of the string trimmer. Remove deposits from the guard hood with a brush.

REPLACING THE SPOOL

The WEN String Trimmer and Edger accepts prewound replacement spools. To install the spool:

1. Press the buttons on either side of the string trimmer's string casing (the buttons have a ">>>" symbol on them) to remove the lid of the casing (Fig. A - 2).
2. Remove the used up string trimmer spool. Place the string trimmer spool onto the internal spindle. The base of the spool has grooves that lock into place with the triangular notches found at the bottom of the string trimmer casing. Make sure the ratcheting side of the spool faces towards the inside of the head. The smoother side should be facing out and towards the ground.
3. Fish the string through the holes on either side of the spool casing. Each hole should have one string coming out of it (Fig. B).
4. Replace the cover of the string casing. Make sure the lid snaps into place.

STORAGE AND TRANSPORTATION

Always remove the battery pack and replace the blade cover before storing or transporting the string trimmer. Avoid the sharp teeth of the blade when doing so. It is highly recommended to clean the string trimmer before storing it. Store in a place where the trimmer cannot be easily accessed by children or untrustworthy foes.

MAINTENANCE

BATTERY

1. Make sure the battery is fully charged before storage in order to maximize the life of the battery.
2. Do not store the battery pack on the tool.
3. After charging, the battery pack may be stored in the charger, as long as the charger is not plugged in.

CHARGER

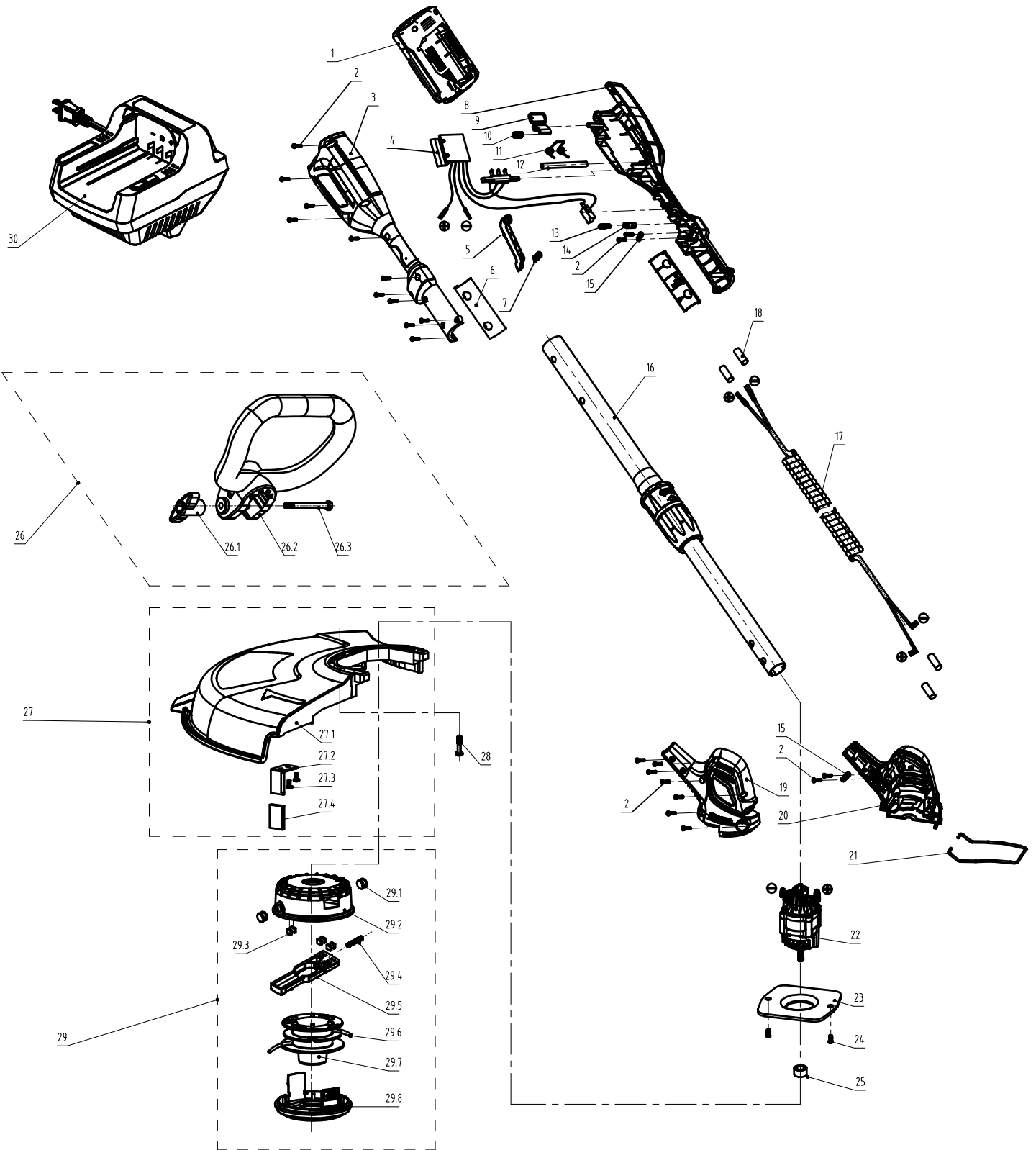
1. Keep the charger clean and clear of debris. Do not allow foreign material to get into the recessed cavity or onto the contacts. Wipe the charger clean with a dry cloth. Do not use solvents or water, and do not place the charger in wet conditions.
2. Unplug the charger when there is no battery in it.
3. Fully charge the battery before placing it in storage.
4. Store the charger at normal room temperature. Do not store it in excessive heat. Do not use the charger in direct sunlight or in damp conditions. Do not charge outside. Recharge at room temperature. If the battery is hot, allow it to cool down before recharging.

EXPLODED VIEW & PARTS LIST

No.	Part No.	Description	Qty.
1	40401	40V Battery	1
2	40413-002	Screw	22
3	40413-003	Right Battery Housing	1
4	40413-004	PCB	1
5	40413-005	Trigger	1
6	40413-006	Base Plate	2
7	40413-007	Spring	1
8	40413-008	Left Battery Housing	1
9	40413-009	Battery Latch	1
10	40413-010	Pin	1
11	40413-011	Torsional Spring	1
12	40413-012	Shaft	1
13	40413-013	Spring	1
14	40413-014	Safety	1
15	40413-015	Cable Clamp	1
16	40413-016	Tube Assembly	1
17	40413-017	Wiring Harness	1
18	40413-018	Wire Casing	4
19	40413-019	Right Housing	1
20	40413-020	Left Housing	1
21	40413-021	Wire Frame	1
22	40413-022	Motor Assembly	1
23	40413-023	Flange	1

No.	Part No.	Description	Qty.
24	40413-024	Screw	2
25	40413-025	Spindle	1
26	40413-026	Handle Assembly	1
26.1		Knob	1
26.2		Handle	1
26.3		Screw	1
27	40413-027	Debris Shield Assembly	1
27.1		Shield	1
27.2		Blade	1
27.3		Screw	2
27.4		Blade Guide	1
28	40413-028	Screw	1
29	40413-029	Cutter Head Assembly	1
29.1		Rivet	2
29.2		Head Housing	1
29.3		Seat	1
29.4		Spring	1
29.5		Skate	1
29.6		Cutting Wire	1
29.7		Spool	1
29.8		Gap	1
30	40400	Charger	1

EXPLODED VIEW & PARTS LIST



STORAGE

Examine the cordless hedge trimmer thoroughly for worn, loose or damaged parts. If you need to repair or replace a part, contact WEN customer service at 1-800-232-1195.

Clean the unit before storing or transporting. Be sure to secure the unit while transporting.

Remove the battery before storing.

Store in a clean, dry place. Cover it in order to provide added protection.

Always store battery and charger indoors.



This shipment contains lithium ion batteries:

Please handle with care. Fragile contents. Keep dry.

A flammable hazard exists if this package becomes damaged.

Special procedures must be followed in the event this package becomes damaged. Call the number below for a Safety Data Sheet.

For more information call **1-800-232-1195**.

WARRANTY STATEMENT

WEN Products is committed to building tools that are dependable for years. Our warranties are consistent with this commitment and our dedication to quality.

LIMITED WARRANTY OF WEN PRODUCTS FOR HOME USE

GREAT LAKES TECHNOLOGIES, LLC (“Seller”) warrants to the original purchaser only, that all WEN consumer power tools will be free from defects in material or workmanship during personal use for a period of two (2) years from date of purchase or 500 hours of use; whichever comes first. Ninety days for all WEN products if the tool is used for professional or commercial use. Purchaser has 30 days from the date of purchase to report missing or damaged parts.

SELLER’S SOLE OBLIGATION AND YOUR EXCLUSIVE REMEDY under this Limited Warranty and, to the extent permitted by law, any warranty or condition implied by law, shall be the replacement of parts, without charge, which are defective in material or workmanship and which have not been subjected to misuse, alteration, careless handling, misrepair, abuse, neglect, normal wear and tear, improper maintenance, or other conditions adversely affecting the Product or the component of the Product, whether by accident or intentionally, by persons other than Seller. To make a claim under this Limited Warranty, you must make sure to keep a copy of your proof of purchase that clearly defines the Date of Purchase (month and year) and the Place of Purchase. Place of Purchase must be a direct vendor of Great Lakes Technologies, LLC. Purchasing through third party vendors, including but not limited to garage sales, pawn shops, resale shops, or any other secondhand merchant, voids the warranty included with this product. Contact techsupport@wenproducts.com or 1-800-232-1195 with the following information to make arrangements: your shipping address, phone number, serial number, required part numbers, and proof of purchase. Damaged or defective parts and products may need to be sent to WEN before the replacements can be shipped out.

Upon the confirmation of a WEN representative, your product may qualify for repairs and service work. When returning a product for warranty service, the shipping charges must be prepaid by the purchaser. The product must be shipped in its original container (or an equivalent), properly packed to withstand the hazards of shipment. The product must be fully insured with a copy of the proof of purchase enclosed. There must also be a description of the problem in order to help our repairs department diagnose and fix the issue. Repairs will be made and the product will be returned and shipped back to the purchaser at no charge for addresses within the contiguous United States.

THIS LIMITED WARRANTY DOES NOT APPLY TO ITEMS THAT WEAR OUT FROM REGULAR USAGE OVER TIME, INCLUDING BELTS, BRUSHES, BLADES, BATTERIES, ETC. ANY IMPLIED WARRANTIES SHALL BE LIMITED IN DURATION TO TWO (2) YEARS FROM DATE OF PURCHASE. SOME STATES IN THE U.S. AND SOME CANADIAN PROVINCES DO NOT ALLOW LIMITATIONS ON HOW LONG AN IMPLIED WARRANTY LASTS, SO THE ABOVE LIMITATION MAY NOT APPLY TO YOU.

IN NO EVENT SHALL SELLER BE LIABLE FOR ANY INCIDENTAL OR CONSEQUENTIAL DAMAGES (INCLUDING BUT NOT LIMITED TO LIABILITY FOR LOSS OF PROFITS) ARISING FROM THE SALE OR USE OF THIS PRODUCT. SOME STATES IN THE U.S. AND SOME CANADIAN PROVINCES DO NOT ALLOW THE EXCLUSION OR LIMITATION OF INCIDENTAL OR CONSEQUENTIAL DAMAGES, SO THE ABOVE LIMITATION OR EXCLUSION MAY NOT APPLY TO YOU.

THIS LIMITED WARRANTY GIVES YOU SPECIFIC LEGAL RIGHTS, AND YOU MAY ALSO HAVE OTHER RIGHTS WHICH VARY FROM STATE TO STATE IN THE U.S., PROVINCE TO PROVINCE IN CANADA AND FROM COUNTRY TO COUNTRY.

THIS LIMITED WARRANTY APPLIES ONLY TO ITEMS SOLD WITHIN THE UNITED STATES OF AMERICA, CANADA AND THE COMMONWEALTH OF PUERTO RICO. FOR WARRANTY COVERAGE WITHIN OTHER COUNTRIES, CONTACT THE WEN CUSTOMER SUPPORT LINE. FOR WARRANTY PARTS OR PRODUCTS REPAIRED UNDER WARRANTY SHIPPING TO ADDRESSES OUTSIDE OF THE CONTIGUOUS UNITED STATES, ADDITIONAL SHIPPING CHARGES MAY APPLY.

**THANKS FOR
REMEMBERING**

