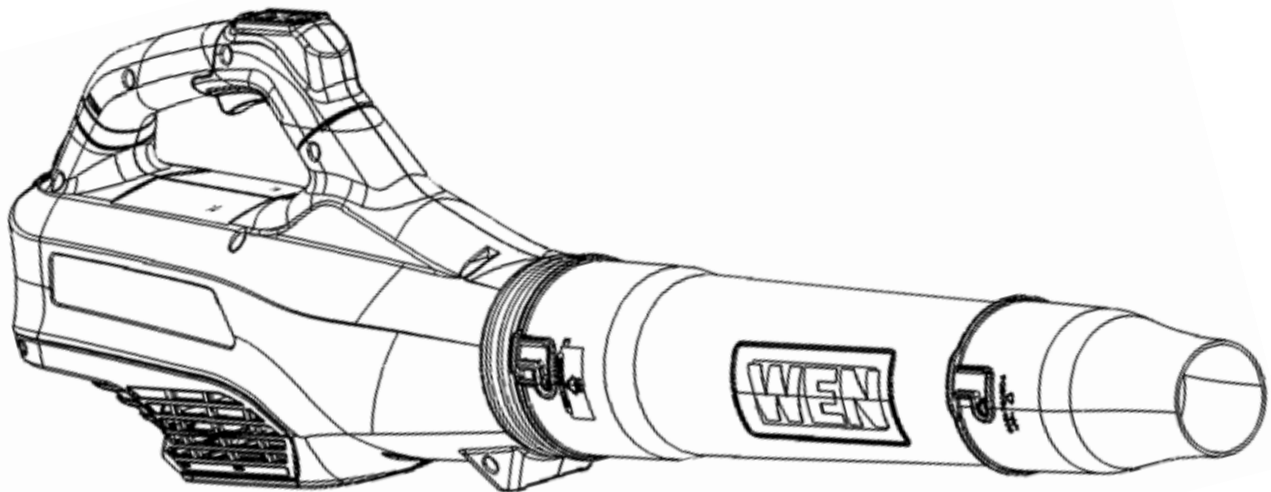




**MODEL 40410, 40410BT**

# **40V MAX LITHIUM ION CORDLESS BLOWER**

**Instruction Manual**



## **NEED HELP? CONTACT US!**

Have product questions? Need technical support? Please feel free to contact us:



**1-800-232-1195 (M-F 8AM-5PM CST)**



**TECHSUPPORT@WENPRODUCTS.COM**

**IMPORTANT:** Your new tool has been engineered and manufactured to WEN's highest standards for dependability, ease of operation, and operator safety. When properly cared for, this product will supply you years of rugged, trouble-free performance. Pay close attention to the rules for safe operation, warnings, and cautions. If you use your tool properly and for its intended purpose, you will enjoy years of safe, reliable service.

For replacement parts and the most up-to-date instruction manuals, visit **WENPRODUCTS.COM**

# CONTENTS

<b>WELCOME</b>	<b>3</b>
Introduction .....	3
Specifications.....	3
<b>SAFETY</b>	<b>4</b>
General Safety Rules.....	4
Specific Rules for the Blower .....	6
Specific Rules for the Battery & Charger.....	8
About the Battery .....	10
About the Charger.....	11
Electrical Information.....	12
<b>BEFORE OPERATING</b>	<b>13</b>
Know Your Blower .....	13
Assembly & Adjustments.....	14
<b>OPERATION &amp; MAINTENANCE</b>	<b>15</b>
Operation .....	15
Maintenance.....	16
Storage .....	17
Exploded View & Parts List.....	18
Warranty Statement .....	20

# INTRODUCTION

Thanks for purchasing the WEN Leaf Blower. We know you are excited to put your tool to work, but first, please take a moment to read through the manual. Safe operation of this tool requires that you read and understand this operator's manual and all the labels affixed to the tool. This manual provides information regarding potential safety concerns, as well as helpful assembly and operating instructions for your tool.

**⚠ SAFETY ALERT SYMBOL:** Indicates danger, warning, or caution. The safety symbols and the explanations with them deserve your careful attention and understanding. Always follow the safety precautions to reduce the risk of fire, electric shock or personal injury. However, please note that these instructions and warnings are not substitutes for proper accident prevention measures.

**NOTE:** The following safety information is not meant to cover all possible conditions and situations that may occur. WEN reserves the right to change this product and specifications at any time without prior notice.

At WEN, we are continuously improving our products. If you find that your tool does not exactly match this manual, please visit [wenproducts.com](http://wenproducts.com) for the most up-to-date manual or contact our customer service at **1-800-232-1195**.

**Keep this manual available to all users during the entire life of the tool and review it frequently to maximize safety for both yourself and others.**

# SPECIFICATIONS

Model Number	40410, 40410BT
Motor	40V Brushless Motor
Air Speed	92, 114, or 124 MPH
Air Flow	370, 450, or 480 CFM
Battery	40V Max Lithium Ion, 2Ah
Charger Input	100-120V AC, 60Hz, 100W
Charger Output	42V DC, 2A
Battery Model	40401
Charger Model	40400C
Weight with Battery	8.5 pounds

**NOTE:** Model 40410BT does not include battery or charger.

WEN plans to continue to add more items to our 40V line. For an up-to-date list of the 40V cordless tools compatible with the included battery and charger, visit [wenproducts.com](http://wenproducts.com) and search model number 40401 (2Ah) or 40404 (4Ah). In the battery's description, there will be a list of current products that this battery can be used with.

# GENERAL SAFETY RULES

**⚠ WARNING!** Read all safety warnings and all instructions. Failure to follow the warnings and instructions may result in electric shock, fire and/or serious injury.

Safety is a combination of common sense, staying alert and knowing how your item works. The term “power tool” in the warnings refers to your mains-operated (corded) power tool or battery-operated (cordless) power tool.

## SAVE THESE SAFETY INSTRUCTIONS.

### WORK AREA SAFETY

1. **Keep work area clean and well lit.** Cluttered or dark areas invite accidents.
2. **Do not operate power tools in explosive atmospheres, such as in the presence of flammable liquids, gases or dust.** Power tools create sparks which may ignite the dust or fumes.
3. **Keep children and bystanders away while operating a power tool.** Distractions can cause you to lose control.

### ELECTRICAL SAFETY

1. **Power tool plugs must match the outlet. Never modify the plug in any way. Do not use any adapter plugs with earthed (grounded) power tools.** Unmodified plugs and matching outlets will reduce risk of electric shock.
2. **Avoid body contact with earthed or grounded surfaces such as pipes, radiators, ranges and refrigerators.** There is an increased risk of electric shock if your body is earthed or grounded.
3. **Do not expose power tools to rain or wet conditions.** Water entering a power tool will increase the risk of electric shock.
4. **Do not abuse the cord. Never use the cord for carrying, pulling or unplugging the power tool. Keep cord away from heat, oil, sharp edges or moving parts.** Damaged or entangled cords increase the risk of electric shock.
5. **When operating a power tool outdoors, use an extension cord suitable for outdoor use.** Use of a cord suitable for outdoor use reduces the risk of electric shock.

6. **If operating a power tool in a damp location is unavoidable, use a ground fault circuit interrupter (GFCI) protected supply.** Use of a GFCI reduces the risk of electric shock.

### PERSONAL SAFETY

1. **Stay alert, watch what you are doing and use common sense when operating a power tool. Do not use a power tool while you are tired or under the influence of drugs, alcohol or medication.** A moment of inattention while operating power tools may result in serious personal injury.
2. **Use personal protective equipment. Always wear eye protection.** Protective equipment such as a respiratory mask, non-skid safety shoes and hearing protection used for appropriate conditions will reduce the risk of personal injury.
3. **Prevent unintentional starting. Ensure the switch is in the off-position before connecting to power source and/or battery pack, picking up or carrying the tool.** Carrying power tools with your finger on the switch or energizing power tools that have the switch on invites accidents.
4. **Remove any adjusting key or wrench before turning the power tool on.** A wrench or a key left attached to a rotating part of the power tool may result in personal injury.
5. **Do not overreach. Keep proper footing and balance at all times.** This enables better control of the power tool in unexpected situations.
6. **Dress properly. Do not wear loose clothing or jewelry. Keep your hair and clothing away from moving parts.** Loose clothes, jewelry or long hair can be caught in moving parts.

# GENERAL SAFETY RULES

**⚠ WARNING!** Read all safety warnings and all instructions. Failure to follow the warnings and instructions may result in electric shock, fire and/or serious injury.

Safety is a combination of common sense, staying alert and knowing how your item works. The term “power tool” in the warnings refers to your mains-operated (corded) power tool or battery-operated (cordless) power tool.

## SAVE THESE SAFETY INSTRUCTIONS.

**7. If devices are provided for the connection of dust extraction and collection facilities, ensure these are connected and properly used.** Use of dust collection can reduce dust-related hazards.

### POWER TOOL USE AND CARE

**1. Do not force the power tool. Use the correct power tool for your application.** The correct power tool will do the job better and safer at the rate for which it was designed.

**2. Do not use the power tool if the switch does not turn it on and off.** Any power tool that cannot be controlled with the switch is dangerous and must be repaired.

**3. Disconnect the plug from the power source and/or the battery pack from the power tool before making any adjustments, changing accessories, or storing power tools.** Such preventive safety measures reduce the risk of starting the power tool accidentally.

**4. Store idle power tools out of the reach of children and do not allow persons unfamiliar with the power tool or these instructions to operate the power tool.** Power tools are dangerous in the hands of untrained users.

**5. Maintain power tools. Check for misalignment or binding of moving parts, breakage of parts and any other condition that may affect the power tool's operation. If damaged, have the power tool repaired before use.** Many accidents are caused by poorly maintained power tools.

**6. Keep cutting tools sharp and clean.** Properly maintained cutting tools with sharp cutting edges are less likely to bind and are easier to control.

**7. Use the power tool, accessories and tool bits, etc. in accordance with these instructions, taking into account the working conditions and the work to be performed.** Use of the power tool for operations different from those intended could result in a hazardous situation.

**8. Use clamps to secure your workpiece to a stable surface.** Holding a workpiece by hand or using your body to support it may lead to loss of control.

**9. KEEP GUARDS IN PLACE** and in working order.

### SERVICE

**1. Have your power tool serviced by a qualified repair person using only identical replacement parts.** This will ensure that the safety of the power tool is maintained.

### CALIFORNIA PROPOSITION 65 WARNING

Some dust created by power sanding, sawing, grinding, drilling, and other construction activities may contain chemicals, including lead, known to the State of California to cause cancer, birth defects, or other reproductive harm. Wash hands after handling. Some examples of these chemicals are:


- Lead from lead-based paints.
- Crystalline silica from bricks, cement, and other masonry products.
- Arsenic and chromium from chemically treated lumber.

Your risk from these exposures varies depending on how often you do this type of work. To reduce your exposure to these chemicals, work in a well-ventilated area with approved safety equipment such as dust masks specially designed to filter out microscopic particles.

## SPECIFIC SAFETY RULES FOR THE BLOWER


**Safety is a combination of common sense, staying alert and knowing how your item works.  
SAVE THESE SAFETY INSTRUCTIONS.**

 **WARNING:** Read and understand all warnings, cautions and operating instructions before using this tool. Failure to follow all instructions listed below may result in personal injury and tool damage.

 **WARNING:** Do not let comfort or familiarity with the product replace strict adherence to product safety rules. Failure to follow the safety instructions may result in serious personal injury.


1. **TOOL PURPOSE.** The blower has been designed to clear light debris and leaves from hard surfaces – not for clearing grassed areas. This blower is intended for household use only. Commercial use of this product is prohibited and will void the manufacturer's warranty. Do not push it beyond its limits or its capacities. Using the blower in a way for which it was not designed can result in serious injuries, machine damage and voiding of the warranty. Only use with WEN 40V Max Lithium Ion battery 40401.
2. **CHARGING.** Do not charge the battery outdoors. Do not charge battery in rain, or in wet locations. Only use the charger supplied by the manufacturer to recharge.
3. **DO NOT OVERREACH.** Keep firm footing and maintain good balance at all times. Overreaching can result in loss of balance.
4. Do not use the tool if the power switch does not turn it ON or OFF. Any tool that cannot be controlled with the switch is dangerous and must be repaired.
5. Carefully inspect your appliance prior to use and follow all label and marking instructions.
6. Keep all parts of your body away from any moving parts and all hot surfaces of the unit.
7. Do not put any object into the tool's openings. Do not use the tool with any opening blocked; keep openings free of dust, lint, hair, or any other object that may reduce air flow.
8. Check the work area before each use. Remove all objects such as rocks, broken glass, nails, wire, or string, which can be thrown or become entangled in the machine.
9. Service on the product must be performed by qualified repair personnel only. Service or maintenance performed by unqualified personnel could result in injury to the user or damage to the product.
10. Never run the unit without the proper equipment attached. Always ensure the blower tube is properly installed.
11. Always grasp the handle when operating the unit, only operate the machine in its intended orientation.
12. Do not handle charger, including charger plug, and charger terminals with wet hands.
13. Do not use battery-operated appliance in rain.

## SPECIFIC SAFETY RULES FOR THE BLOWER

 **WARNING:** To reduce the risk of electric shock, always unplug the charger before performing any cleaning or maintenance. Do not allow water to flow into the charger. Use a Ground Fault Circuit Interrupter (GFCI) to reduce shock hazards.

14. Remove or disconnect the battery before servicing, cleaning, or removing material from the appliance.
15. Do not dispose of the battery in a fire. The cell may explode. Check with local codes for possible special disposal instructions.
16. Do not open or mutilate the battery. Release electrolyte is corrosive and may cause damage to the eyes or skin. It may be toxic if swallowed.
17. Exercise care in handling batteries in order not to short the battery with conducting materials such as rings, bracelets, and keys. The battery or conductor may overheat and cause burns
18. When operating the unit, never point the blower nozzle in the direction of people or pets or in the direction of windows. Use extra caution when blowing debris near solid objects, such as trees, automobiles, and walls.
19. Be sure to secure the unit when transporting it.
20. Never get the unit wet with water or any other liquid. Clean the unit after each use as described in the cleaning and storage section.
21. When operating the unit, never point the blower nozzle in the direction of people or pets or in the direction of windows. Use extra caution when blowing debris near solid objects, such as trees, automobiles, and walls.

## SPECIFIC SAFETY RULES FOR THE BATTERY & CHARGER

 **WARNING:** Do not let comfort or familiarity with the product replace strict adherence to product safety rules. Failure to follow the safety instructions may result in serious personal injury.

Despite all the safety precautions, caution must always be exercised when handling batteries. The following points must be obeyed at all times to ensure safe use. Safe use can only be guaranteed if undamaged cells are used. Incorrect handling of the battery pack can cause cell damage.

1. **TOOL PURPOSE.** This charger is designed for recharging WEN 40V Max Lithium Ion batteries (model numbers 40401 and 40404). Charging any other battery or using a different charger to charge these batteries could result in fire, injury, or damage. Using the charger for any other purpose for which it is not designed may result in serious injuries, machine damage and voiding of the warranty.

2. **AVOID DANGEROUS ENVIRONMENTS.** Do not charge the battery pack in rain, snow or in damp or wet locations. Do not use the battery pack or charger in the presence of explosive atmospheres (gaseous fumes, dust or flammable materials) because sparks may be generated when inserting or removing the battery pack, which could lead to a fire. Do not charge the unit indoors.

3. **CHARGE IN A WELL-VENTILATED AREA.** Do not block the charger vents. Keep them clear to allow for proper ventilation. Do not allow smoking or open flames near a charging battery pack. Vented gases may explode.

**NOTE:** The safe temperature range for charging the battery is 50°F to 104°F. Do not charge the battery outside in freezing weather; charge it at room temperature.

4. **MAINTAIN CHARGER CORD.** When unplugging the charger, pull the plug, not the cord, from the receptacle to reduce the risk of damage to the electrical plug and cord. Never carry the charger by its cord or yank it by the cord to disconnect it from the receptacle. Keep the cord away from heat, oil and sharp edges. Make sure the cord will not be stepped on, tripped over or subjected to damage or stress when the charger is in use. Do not use the charger with a damaged cord or plug. Replace a damaged charger immediately.

5. **DO NOT USE AN EXTENSION CORD UNLESS IT IS ABSOLUTELY NECESSARY.** Using the wrong, damaged or improperly wired extension cord poses a risk of fire and electric shock. If an extension cord must be used, plug the charger into a properly-wired 16AWG or larger extension cord with the female plug matching the male plug on the charger. Make sure that the extension cord is in good electrical condition.


6. **CHARGER IS RATED FOR 120V, 60Hz AC ONLY.** The charger must be plugged into an appropriate receptacle.

7. **USE ONLY RECOMMENDED ATTACHMENTS.** Use of an attachment not recommended or sold by WEN Products may result in risk of fire, electric shock or personal injury.

8. **UNPLUG CHARGER WHEN NOT IN USE.** Make sure to remove battery packs from unplugged chargers.



## SPECIFIC SAFETY RULES FOR THE BATTERY & CHARGER

 **WARNING:** To reduce the risk of electric shock, always unplug the charger before performing any cleaning or maintenance. Do not allow water to flow into the charger. Use a Ground Fault Circuit Interrupter (GFCI) to reduce shock hazards.

9. **DO NOT BURN OR INCINERATE BATTERY PACKS.** Battery packs may explode, causing personal injury or damage. Toxic fumes and materials are created when battery packs are burned.

10. **DO NOT CRUSH, DROP OR DAMAGE BATTERY PACKS.** Do not use the battery pack or charger if they have sustained a sharp blow, been dropped, run over or have been damaged in any way (e.g. pierced with a nail, hit with a hammer, stepped on, etc.).


11. **DO NOT DISASSEMBLE.** Incorrect reassembly may pose a serious risk of electric shock, fire or exposure to toxic battery chemicals. If the battery or charger are damaged, call WEN customer service at 1-800-232-1195 for assistance.


12. **BATTERY CHEMICALS CAUSE SERIOUS BURNS.** Never let a damaged battery pack contact the skin, eyes or mouth. If a damaged battery pack leaks battery chemicals, use rubber or neoprene gloves to safely dispose of it. If skin is exposed to battery fluids, wash the affected area with soap and water and rinse with vinegar. If eyes are exposed to battery chemicals, immediately flush with water for 20 minutes and seek medical attention. Remove and dispose of contaminated clothing.

13. **DO NOT SHORT CIRCUIT.** A battery pack will short circuit if a metal object makes a connection between the positive and negative contacts on the battery pack. Do not place a battery pack near anything that may cause a short circuit, such as paper clips, coins, keys, screws, nails and other metallic objects. A short-circuited battery pack poses a risk of fire and severe personal injury.

14. **STORE YOUR BATTERY PACK AND CHARGER IN A COOL, DRY PLACE.** Do not store the battery pack or charger where temperatures may exceed 104°F, such as in direct sunlight or inside a vehicle or metal building during the summer.

## ABOUT THE BATTERY


 **WARNING:** Waste electrical products should not be disposed of with household waste. Please recycle where facilities exist. Check with your local authority or retailer for recycling advice.


 **WARNING:** To reduce risk of injury, charge only WEN batteries with this charger. Other types of batteries may burst causing personal injury and damage.

### ABOUT THE BATTERY

1. The battery pack supplied with your cordless tool is only partially charged. The battery pack has to be charged completely before you use the tool for the first time.
2. For optimum battery performance, avoid low discharge cycles by charging the battery pack frequently.
3. Lithium-ion batteries are subject to a natural aging process. The battery pack must be replaced at the latest when its capacity falls to just 80% of its capacity when new. Weakened cells in an aged battery pack are no longer capable of meeting the high power requirements needed for the proper operation of your tool, and therefore pose a safety risk.
4. Do not throw battery packs into an open fire as this poses a risk of explosion. Do not ignite the battery pack or expose it to fire.
5. Do not exhaustively discharge batteries. Exhaustive discharge will damage the battery cells. The most common cause of exhaustive discharge is lengthy storage or non-use of partially discharged batteries. Stop working as soon as the performance of the battery falls noticeably or the electronic protection system triggers. Place the battery pack in storage only after it has been fully charged.
6. Protect batteries and the tool from overloads. Overloads will quickly result in overheating and cell damage inside the battery housing even if this overheating is not apparent externally.
7. Avoid damage and shocks. Immediately replace batteries that have been dropped from a height of more than one meter or those that have been exposed to violent shocks, even if the housing of the battery pack appears to be undamaged. The battery cells inside the battery may have suffered serious damage. In such instances, please read the waste disposal information for proper battery disposal.
8. If the battery pack suffers overloading and overheating, the integrated protective cutoff will switch off the equipment for safety reasons.
9. Use only original battery packs. The use of other batteries poses a fire risk and may result in injuries or an explosion.
10. You must fully charge the battery every 3 months. See the tables on pages 13 & 14 to understand what the LED lights on your battery and charger indicate.

## ABOUT THE CHARGER

 **WARNING:** Waste electrical products should not be disposed of with household waste. Please recycle where facilities exist. Check with your local authority or retailer for recycling advice.

 **WARNING:** To reduce risk of injury, charge only WEN batteries with this charger. Other types of batteries may burst causing personal injury and damage.

### ABOUT THE CHARGER

Protect the battery charger and its cord from damage. Keep the charger and its cord away from heat, oil and sharp edges. Electrical plugs must match the outlet. Never modify the plug in any way. Do not use any adapter plugs with grounded appliances. Unmodified plugs and matching outlets will reduce the risk of electric shock.

Keep the battery charger, battery pack(s) and the cordless tool out of the reach of children. Do not use the supplied battery charger to charge other cordless tools. During periods of heavy use, the battery pack will become warm. Allow the battery pack to cool to room temperature before inserting it into the charger to recharge.

Do not overcharge batteries. Do not exceed the maximum charging times. These charging times only apply to discharged batteries. Frequent insertion of a charged or partially charged battery pack will result in overcharging and cell damage. Do not leave battery in the charger for days on end. Never use or charge a battery if you suspect that it has been more than 12 months since the last time they were charged. There is a high probability that the battery pack has already suffered dangerous damage (exhaustive discharge). Do not use battery that have been exposed to heat during the charging process, as the battery cells may have suffered dangerous damage. Do not use battery that have suffered curvature or deformation during the charging process or those that exhibit other atypical symptoms (gassing, hissing, cracking, etc.)

# ELECTRICAL INFORMATION

1. **POLARIZED PLUGS.** To reduce the risk of electric shock, this equipment has a polarized plug (one blade is wider than the other). This plug will fit in a polarized outlet only one way. If the plug does not fit fully in the outlet, reverse the plug. If it still does not fit, contact a qualified electrician to install a proper outlet. Do not modify the machine plug or the extension cord in any way.
2. **GROUND FAULT CIRCUIT INTERRUPTER PROTECTION (GFCI)** should be provided on the circuit or outlet used for this power tool to reduce the risk of electric shock.
3. **SERVICE AND REPAIR.** To avoid danger, electrical appliances must only be repaired by qualified service technician using original replacement parts.

## GUIDELINES AND RECOMMENDATIONS FOR EXTENSION CORDS

When using an extension cord, be sure to use one heavy enough to carry the current your product will draw. An undersized cord will cause a drop in line voltage resulting in loss of power and overheating. The table below shows the correct size to be used according to cord length and ampere rating. When in doubt, use a heavier cord. The smaller the gauge number, the heavier the cord.

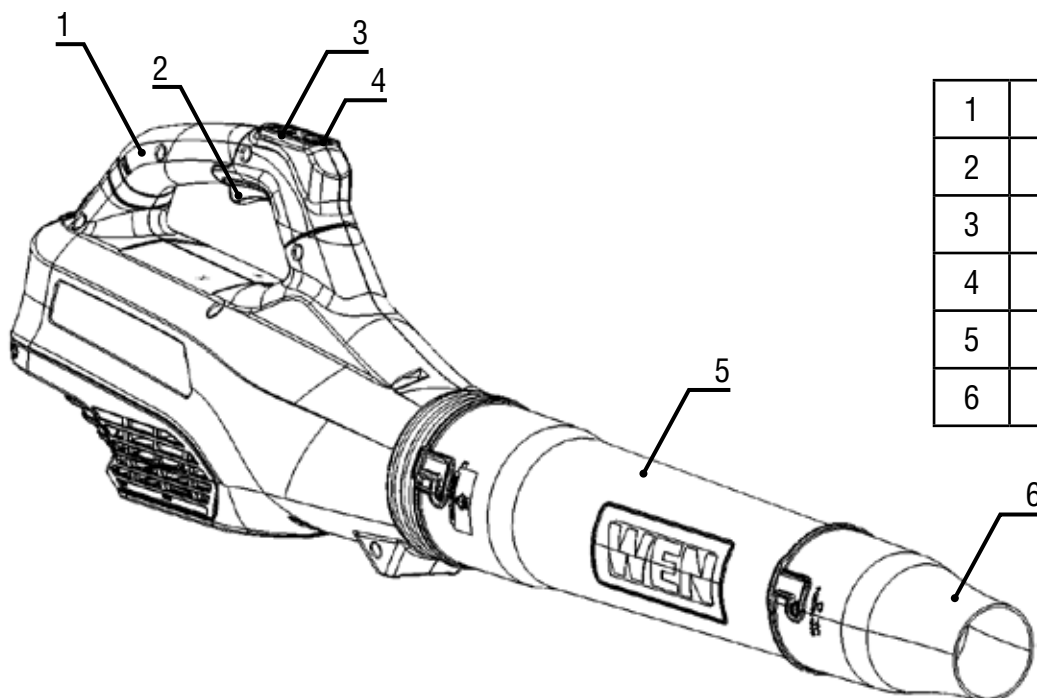
AMPERAGE	REQUIRED GAUGE FOR EXTENSION CORDS			
	25 ft.	50 ft.	100 ft.	150 ft.
2.5A	18 gauge	16 gauge	14 gauge	12 gauge

1. **EXAMINE EXTENSION CORD BEFORE USE.** Make sure your extension cord is properly wired and in good condition. Always replace a damaged extension cord or have it repaired by a qualified person before using it.
2. **DO NOT ABUSE EXTENSION CORD.** Do not pull on cord to disconnect from receptacle; always disconnect by pulling on plug. Disconnect the extension cord from the receptacle before disconnecting the product from the extension cord. Protect your extension cords from sharp objects, excessive heat and damp/wet areas.
3. **USE A SEPARATE ELECTRICAL CIRCUIT FOR YOUR TOOL.** This circuit must not be less than a 12-gauge wire and should be protected with a 15A time-delayed fuse. Before connecting the motor to the power line, make sure the switch is in the OFF position and the electric current is rated the same as the current stamped on the motor nameplate. Running at a lower voltage will damage the motor.

# KNOW YOUR BLOWER

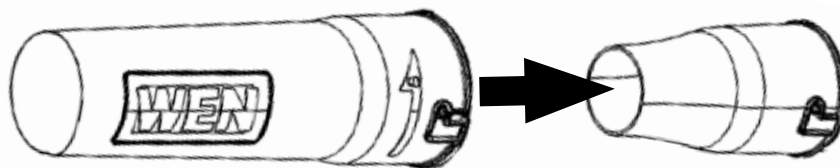
## TOOL PURPOSE

This blower is designed for blowing leaves. Refer to the diagram below to become familiarized with the parts and controls of your 40V Max Lithium Ion Cordless Blower.



1	Carrying Handle
2	Power Trigger
3	High Speed Button
4	Turbo Speed Button
5	Blower Tube
6	High Velocity Nozzle Tip

**NOTE:** The high velocity nozzle tip comes packaged inside the blower tube. Remove the high velocity nozzle tip from inside blower tube before operation.



Red Light	Green Light	Status	Charger LED Light Details
On	Off	Standby	The battery is not connected and charger is in standby mode.
On	Flashing	Charging	The battery is charging.
Off	On	Fully Charged	The battery is fully charged and should be removed from the charger.
Flashing	Off	Error	There is a problem with the battery. Contact customer service at 1-800-232-1195 for assistance in replacing the battery.
Flashing	Flashing	Temperature Error	The temperature is either too high or too low. If the battery is warm, remove it from the charger for a few minutes to let it cool down. Once the temperature returns to the normal temperature range (50°F - 104°F), you can continue charging the battery.

Table A

# ASSEMBLY AND ADJUSTMENTS

**⚠ WARNING:** Do not plug in or turn on the tool until it is fully assembled according to the instructions. Failure to follow the safety instructions may result in serious personal injury.

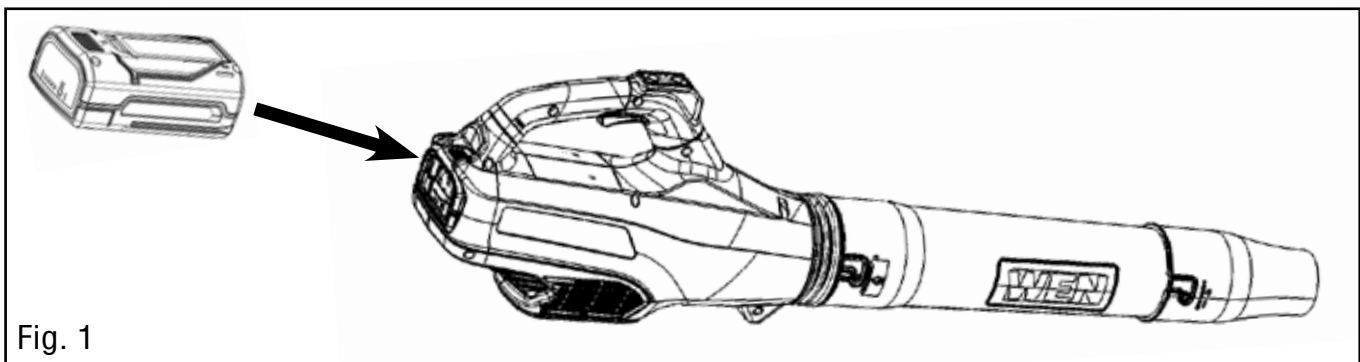
## REMOVING AND CHARGING THE BATTERY

1. Press the battery release button (on top of the battery compartment) and slide the battery out of the blower.
2. Slide the battery into the charger. Refer to Tables A (p. 13) & B (below) to understand what the lights on the battery and charger indicate.
3. If using the battery, take the battery off of the charger and place it in your desired WEN tool. If storing the battery, unplug the charger and leave the battery in the charger.
4. Unplug the charger from the power source when charging is complete. Never leave your charger plugged in if it is not charging a battery.

## ATTACH/REMOVE THE BATTERY

**Note:** The battery is not fully charged at the time of purchase. Before using the blower for the first time, place the battery in the charger and charge it fully.

To insert the battery (Fig. 1), slide it into the battery compartment until a “click” is heard. Make sure the battery is fully inserted and latched into position. To remove the battery, press the battery release button (on top of the battery compartment) and slide the battery out of the blower.



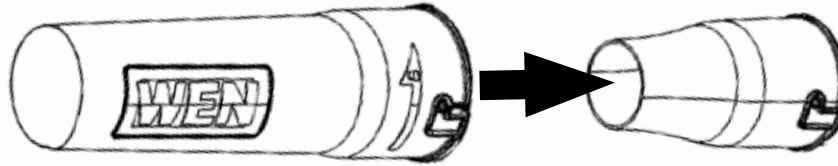
Number of Lights On	Battery LED Light Details
All 4	The battery is fully charged and ready for use.
3 - 2	The battery is partially charged.
1 Blinking	The battery is dead and needs to be immediately recharged. If you do not charge the battery right away, the battery's lifetime will be drastically shortened. You should not let your battery go below a 20% charge; this will preserve your battery's life.

Table B

# OPERATION

**⚠ WARNING:** Always wear safety glasses. Wear a filter mask if the operation is dusty. Use of proper gloves and substantial footwear is recommended when working outdoors.

**NOTE:** The high velocity nozzle tip comes packaged inside the blower tube. Remove the high velocity nozzle tip from inside blower tube before operation.



## ON/OFF SWITCH (FIG. 2)

**To turn the tool ON:** press the power trigger. The blower will run at LOW SPEED (92 MPH).

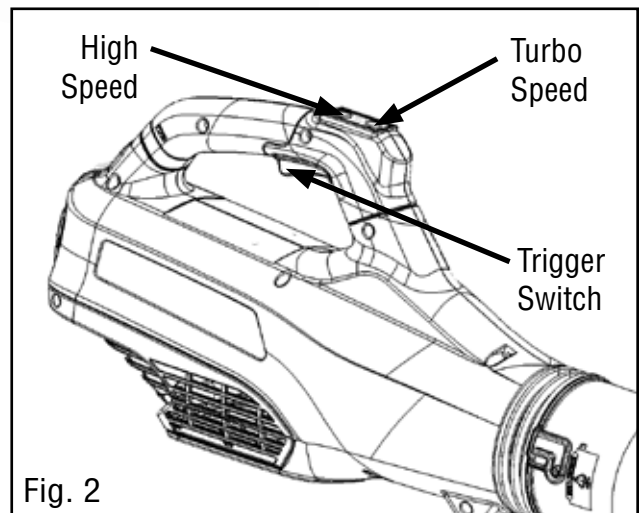
**To turn the tool OFF:** release the power trigger.

## CHANGING THE SPEED (FIG. 2)


There are two speed buttons on top of the 40V blower. The lower button changes the speed to HIGH SPEED (114 MPH). The upper button changes the speed to TURBO SPEED (124 MPH).


Pressing either button once will engage said speed. Pressing it a second time will disengage the speed, bringing the blower back to its original LOW SPEED (92 MPH).


**NOTE:** Turbo speed has been designed to auto-shut off after 35 seconds, reverting the blower back to its low speed.



# MAINTENANCE

 **WARNING:** In order to avoid personal injury and the risk of fire and electric shock, remove the battery pack before adjusting, inspecting, or cleaning the blower.

 **WARNING:** Any attempt to repair or replace electrical parts on this tool may be hazardous. Servicing of the tool must be performed by a qualified technician. When servicing, use only identical WEN replacement parts. Use of other parts may be hazardous or induce product failure.

 **WARNING:** Fully charge your battery every 3 months to preserve your battery's life. Do not let your battery get below 20% charge; this will cause your battery to prematurely fail. See Tables A and B below to understand what the LED lights on your charger and battery indicate.

## CLEANING & STORAGE

1. Brush or blow dust and debris out of the air vents using compressed air or a vacuum. Keep the air vents free of obstructions, sawdust, and wood chips. Do not spray, wash, or immerse the air vents in water.
2. Wipe off the housing and the plastic components using a moist, soft cloth. Do not use strong solvents or detergents on the plastic housing or plastic components. Certain household cleaners may cause damage, and may cause a shock hazard.

## STORING THE BATTERY AND CHARGER

See charging instructions on page 14.

- Make sure the battery is fully charged before storage in order to maximize the life of the battery.
- Do not store the battery pack on the tool. Remove the battery from the tool before storage.
- After charging, the battery pack may be stored in the charger, as long as the charger is not plugged in.
- Store the charger at normal room temperature. Do not store it in excessive heat. Do not use the charger in direct sunlight or in damp conditions. Do not charge outside. Recharge at room temperature.
- Keep the charger clean and clear of debris. Do not allow foreign material to get into the recessed cavity or onto the contacts. Wipe the charger clean with a dry cloth. Do not use solvents or water, and do not place the charger in wet conditions.
- Always unplug the charger when charging is complete. Never leave your charger plugged in if it is not charging a battery.



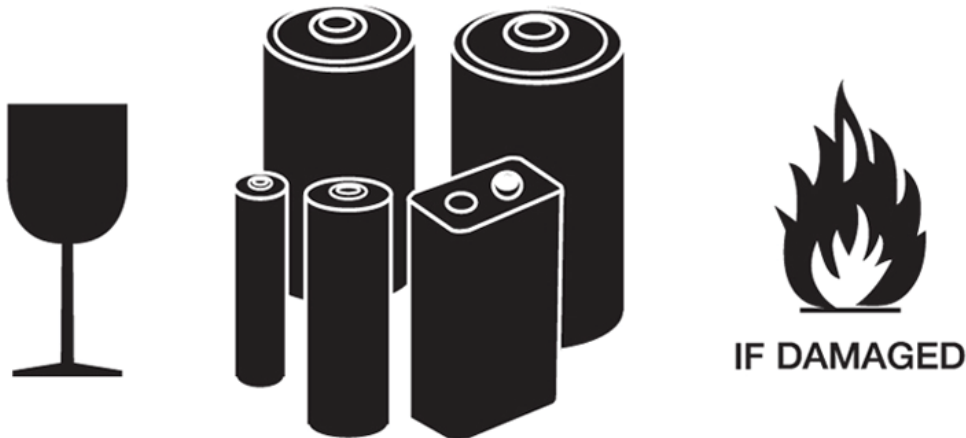
## STORAGE

Examine the blower thoroughly for worn, loose or damaged parts. If you need assistance, **contact WEN customer service at 1-800-232-1195.**

Remove the battery from the tool before storing and unplug the charger before storing.

Store your blower, battery pack and charger in a cool, dry place – do not store the battery pack or charger where temperatures may exceed 104°F, such as in direct sunlight or inside a vehicle or metal building during the summer. Always store battery and charger indoors.

# CAUTION !



**Lithium ion battery**  
**DO NOT LOAD OR TRANSPORT**  
**PACKAGE IF DAMAGED**

For more information call 1-800-232-1195

### **THIS SHIPMENT CONTAINS LITHIUM ION BATTERIES:**

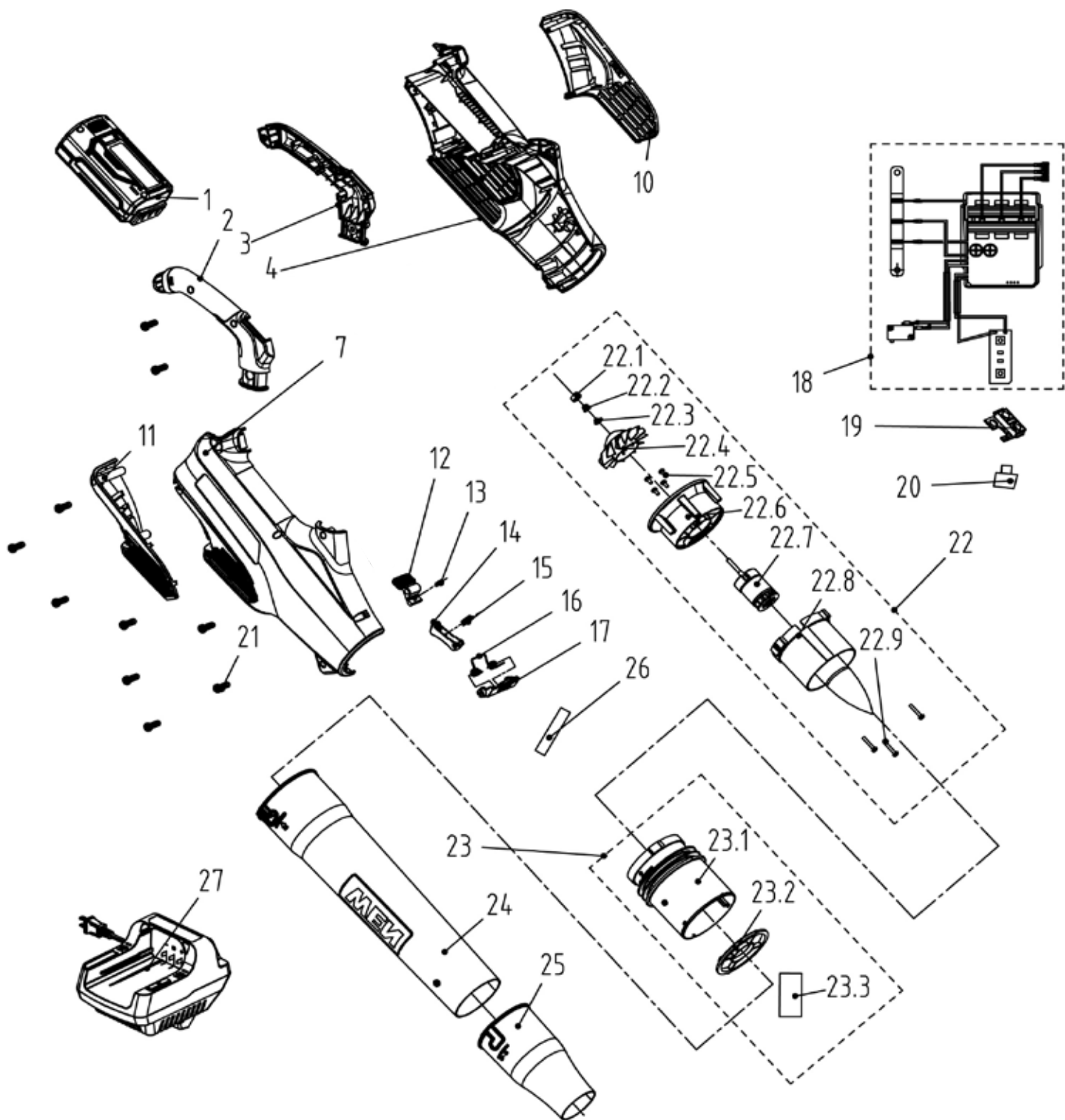
Please handle with care. Fragile contents. Keep dry.

A flammable hazard exists if this package becomes damaged.

Special procedures must be followed in the event this package becomes damaged. Call the number below for a Safety Data Sheet.

For more information call 800-232-1195.

# EXPLODED VIEW & PARTS LIST



## EXPLODED VIEW & PARTS LIST

No.	Part No.	Description	Qty.
1	40401	2.0Ah Battery	1
2	40410-002	Right Handle	1
3	40410-003	Left Handle	1
4	40410-004	Left Housing	1
7	40410-007	Right Housing	1
10	40410-010	Left Air Inlet	1
11	40410-011	Right Air Inlet	1
12	40410-012	Battery Latch	1
13	40410-013	Spring	1
14	40410-014	Switch	1
15	40410-015	Spring	1
16	40410-016	Reset Spring	1
17	40410-017	Spring Support	1
18	40410-018	Electrical Components	1
19	40410-019	Speed Control	1
20	40410-020	Button	2
21	40410-021	Screw	10
22	40410-022	Fan Assembly	1
23	40410-023	Diffusion Assembly	1
22.1	40410-022.1	Plug	1
22.2	40410-022.2	Hex Nuts with Flange	1
22.3	40410-022.3	Washer	1
22.4	40410-022.4	Fan	1
22.5	40410-022.5	Screw	4
22.6	40410-022.6	Gear	1
22.7	40410-022.7	Brushless Motor	1
22.8	40410-022.8	Rectifier	1
22.9	40410-022.9	Screw	3
23.1	40410-023.1	Diffusion Tube	1
23.2	40410-023.2	Damper Screen	1
23.3	40410-023.3	Insulator	2
24	40410-024	Blow Tube	1
25	40410-025	Nozzle	1
26	40410-026	Heat Shrink Tube	1
27	40400C	Charger	1

# WARRANTY STATEMENT

WEN Products is committed to building tools that are dependable for years. Our warranties are consistent with this commitment and our dedication to quality.

## LIMITED WARRANTY OF WEN PRODUCTS FOR HOME USE

GREAT LAKES TECHNOLOGIES, LLC (“Seller”) warrants to the original purchaser only, that all WEN consumer power tools will be free from defects in material or workmanship during personal use for a period of two (2) years from date of purchase or 500 hours of use; whichever comes first. Ninety days for all WEN products if the tool is used for professional or commercial use. Purchaser has 30 days from the date of purchase to report missing or damaged parts.

SELLER’S SOLE OBLIGATION AND YOUR EXCLUSIVE REMEDY under this Limited Warranty and, to the extent permitted by law, any warranty or condition implied by law, shall be the replacement of parts, without charge, which are defective in material or workmanship and which have not been subjected to misuse, alteration, careless handling, misrepair, abuse, neglect, normal wear and tear, improper maintenance, or other conditions adversely affecting the Product or the component of the Product, whether by accident or intentionally, by persons other than Seller. To make a claim under this Limited Warranty, you must make sure to keep a copy of your proof of purchase that clearly defines the Date of Purchase (month and year) and the Place of Purchase. Place of Purchase must be a direct vendor of Great Lakes Technologies, LLC. Purchasing through third party vendors, including but not limited to garage sales, pawn shops, resale shops, or any other secondhand merchant, voids the warranty included with this product. Contact [techsupport@wenproducts.com](mailto:techsupport@wenproducts.com) or 1-800-232-1195 with the following information to make arrangements: your shipping address, phone number, serial number, required part numbers, and proof of purchase. Damaged or defective parts and products may need to be sent to WEN before the replacements can be shipped out.

Upon the confirmation of a WEN representative, your product may qualify for repairs and service work. When returning a product for warranty service, the shipping charges must be prepaid by the purchaser. The product must be shipped in its original container (or an equivalent), properly packed to withstand the hazards of shipment. The product must be fully insured with a copy of the proof of purchase enclosed. There must also be a description of the problem in order to help our repairs department diagnose and fix the issue. Repairs will be made and the product will be returned and shipped back to the purchaser at no charge for addresses within the contiguous United States.

THIS LIMITED WARRANTY DOES NOT APPLY TO ITEMS THAT WEAR OUT FROM REGULAR USAGE OVER TIME, INCLUDING BELTS, BRUSHES, BLADES, BATTERIES, ETC. ANY IMPLIED WARRANTIES SHALL BE LIMITED IN DURATION TO TWO (2) YEARS FROM DATE OF PURCHASE. SOME STATES IN THE U.S. AND SOME CANADIAN PROVINCES DO NOT ALLOW LIMITATIONS ON HOW LONG AN IMPLIED WARRANTY LASTS, SO THE ABOVE LIMITATION MAY NOT APPLY TO YOU.

IN NO EVENT SHALL SELLER BE LIABLE FOR ANY INCIDENTAL OR CONSEQUENTIAL DAMAGES (INCLUDING BUT NOT LIMITED TO LIABILITY FOR LOSS OF PROFITS) ARISING FROM THE SALE OR USE OF THIS PRODUCT. SOME STATES IN THE U.S. AND SOME CANADIAN PROVINCES DO NOT ALLOW THE EXCLUSION OR LIMITATION OF INCIDENTAL OR CONSEQUENTIAL DAMAGES, SO THE ABOVE LIMITATION OR EXCLUSION MAY NOT APPLY TO YOU.

THIS LIMITED WARRANTY GIVES YOU SPECIFIC LEGAL RIGHTS, AND YOU MAY ALSO HAVE OTHER RIGHTS WHICH VARY FROM STATE TO STATE IN THE U.S., PROVINCE TO PROVINCE IN CANADA AND FROM COUNTRY TO COUNTRY.

THIS LIMITED WARRANTY APPLIES ONLY TO ITEMS SOLD WITHIN THE UNITED STATES OF AMERICA, CANADA AND THE COMMONWEALTH OF PUERTO RICO. FOR WARRANTY COVERAGE WITHIN OTHER COUNTRIES, CONTACT THE WEN CUSTOMER SUPPORT LINE. FOR WARRANTY PARTS OR PRODUCTS REPAIRED UNDER WARRANTY SHIPPING TO ADDRESSES OUTSIDE OF THE CONTIGUOUS UNITED STATES, ADDITIONAL SHIPPING CHARGES MAY APPLY.