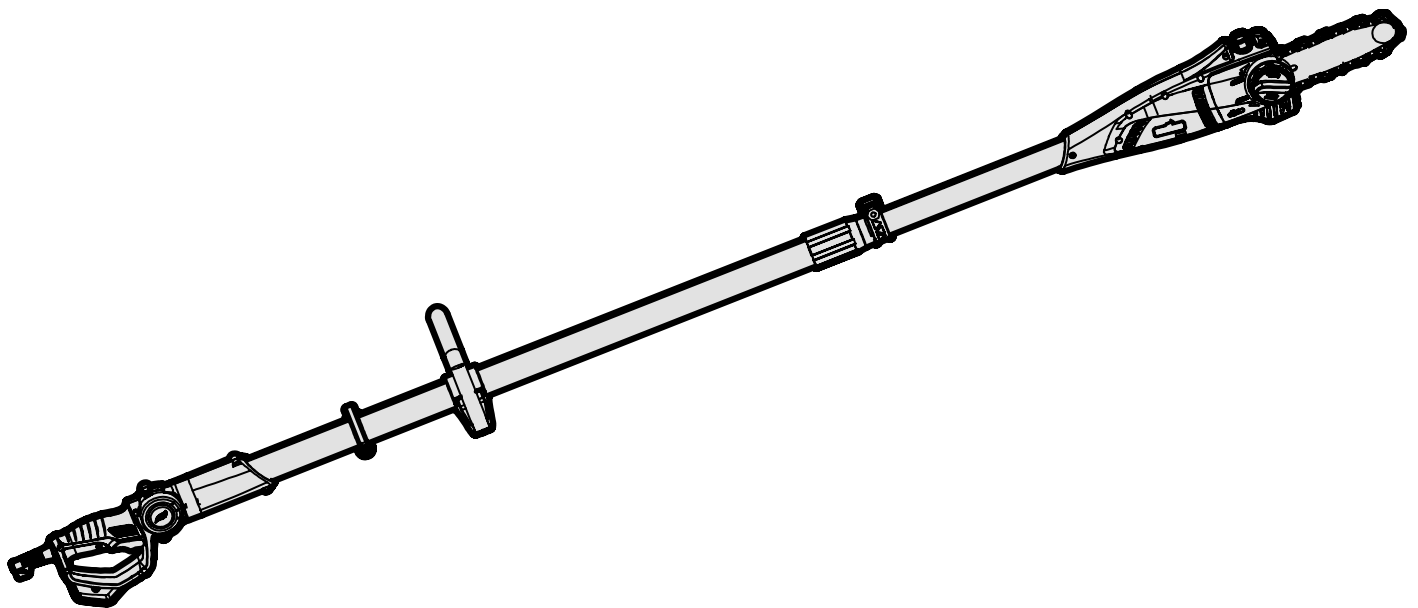




MODEL 4021

8-INCH ELECTRIC POLE SAW

Instruction Manual



NEED HELP? CONTACT US!

Have product questions? Need technical support? Please feel free to contact us:



1-800-232-1195 (M-F 8AM-5PM CST)



TECHSUPPORT@WENPRODUCTS.COM

IMPORTANT: Your new tool has been engineered and manufactured to WEN's highest standards for dependability, ease of operation, and operator safety. When properly cared for, this product will supply you years of rugged, trouble-free performance. Pay close attention to the rules for safe operation, warnings, and cautions. If you use your tool properly and for its intended purpose, you will enjoy years of safe, reliable service.

For replacement parts and the most up-to-date instruction manuals, visit ***WENPRODUCTS.COM***


CONTENTS

WELCOME	3
Introduction	3
Specifications.....	3
SAFETY	4
General Safety Rules	4
Pole Saw Safety Warnings	6
Electrical Information.....	8
BEFORE OPERATING	9
Know Your Pole Saw.....	9
Assembly & Adjustments.....	10
OPERATION & MAINTENANCE	12
Operation	12
Maintenance.....	14
Troubleshooting Guide.....	15
Exploded View & Parts List.....	16
Warranty Statement	18

To purchase replacement parts for your tool, visit ***WENPRODUCTS.COM***

INTRODUCTION

Thanks for purchasing the WEN Pole Saw. We know you are excited to put your tool to work, but first, please take a moment to read through the manual. Safe operation of this tool requires that you read and understand this operator's manual and all the labels affixed to the tool. This manual provides information regarding potential safety concerns, as well as helpful assembly and operating instructions for your tool.

 Indicates danger, warning, or caution. The safety symbols and the explanations with them deserve your careful attention and understanding. Always follow the safety precautions to reduce the risk of fire, electric shock or personal injury. However, please note that these instructions and warnings are not substitutes for proper accident prevention measures.

NOTE: The following safety information is not meant to cover all possible conditions and situations that may occur. WEN reserves the right to change this product and specifications at any time without prior notice.

At WEN, we are continuously improving our products. If you find that your tool does not exactly match this manual, please visit wenproducts.com for the most up-to-date manual or contact our customer service at **1-800-232-1195**.

Keep this manual available to all users during the entire life of the tool and review it frequently to maximize safety for both yourself and others.

SPECIFICATIONS

Model Number	4021
Motor	120V, 60 Hz, 6.5A
Saw Chain	8 Inches
Drive Links	33 Links
Chain Pitch	3/8 Inch
Chain Gauge	0.050 Inch
Sharpening File Diameter	5/32 Inch
Compatible Oregon Saw Chain Model	S33 (91P033X)
Speed (No Load)	6000 RPM (36 Feet per Second)
Max Reach	9 Feet
Oil Tank Capacity	2 fl. oz.
Oil Type	Standard Bar and Chain Oil
Product Weight	8 Pounds
Product Dimensions	Extended: 109.5 in. x 6 in. x 3.5 in.
	Shortened: 79.9 in. x 6 in. x 3.5 in.

GENERAL SAFETY RULES

⚠ WARNING! Read all safety warnings and all instructions. Failure to follow the warnings and instructions may result in electric shock, fire and/or serious injury.

Safety is a combination of common sense, staying alert and knowing how your item works. The term “power tool” in the warnings refers to your mains-operated (corded) power tool or battery-operated (cordless) power tool.

SAVE THESE SAFETY INSTRUCTIONS.

WORK AREA SAFETY

- 1. Keep work area clean and well lit.** Cluttered or dark areas invite accidents.
- 2. Do not operate power tools in explosive atmospheres, such as in the presence of flammable liquids, gases or dust.** Power tools create sparks which may ignite the dust or fumes.
- 3. Keep children and bystanders away while operating a power tool.** Distractions can cause you to lose control.

ELECTRICAL SAFETY

- 1. Power tool plugs must match the outlet. Never modify the plug in any way. Do not use any adapter plugs with earthed (grounded) power tools.** Unmodified plugs and matching outlets will reduce risk of electric shock.
- 2. Avoid body contact with earthed or grounded surfaces such as pipes, radiators, ranges and refrigerators.** There is an increased risk of electric shock if your body is earthed or grounded.
- 3. Do not expose power tools to rain or wet conditions.** Water entering a power tool will increase the risk of electric shock.
- 4. Do not abuse the cord. Never use the cord for carrying, pulling or unplugging the power tool. Keep cord away from heat, oil, sharp edges or moving parts.** Damaged or entangled cords increase the risk of electric shock.
- 5. When operating a power tool outdoors, use an extension cord suitable for outdoor use.** Use of a cord suitable for outdoor use reduces the risk of electric shock.

- 6. If operating a power tool in a damp location is unavoidable, use a ground fault circuit interrupter (GFCI) protected supply.** Use of a GFCI reduces the risk of electric shock.

PERSONAL SAFETY

- 1. Stay alert, watch what you are doing and use common sense when operating a power tool. Do not use a power tool while you are tired or under the influence of drugs, alcohol or medication.** A moment of inattention while operating power tools may result in serious personal injury.
- 2. Use personal protective equipment. Always wear eye protection.** Protective equipment such as a respiratory mask, non-skid safety shoes and hearing protection used for appropriate conditions will reduce the risk of personal injury.
- 3. Prevent unintentional starting. Ensure the switch is in the off-position before connecting to power source and/or battery pack, picking up or carrying the tool.** Carrying power tools with your finger on the switch or energizing power tools that have the switch on invites accidents.
- 4. Remove any adjusting key or wrench before turning the power tool on.** A wrench or a key left attached to a rotating part of the power tool may result in personal injury.
- 5. Do not overreach. Keep proper footing and balance at all times.** This enables better control of the power tool in unexpected situations.
- 6. Dress properly. Do not wear loose clothing or jewelry. Keep your hair and clothing away from moving parts.** Loose clothes, jewelry or long hair can be caught in moving parts.

GENERAL SAFETY RULES

⚠ WARNING! Read all safety warnings and all instructions. Failure to follow the warnings and instructions may result in electric shock, fire and/or serious injury.

Safety is a combination of common sense, staying alert and knowing how your item works. The term “power tool” in the warnings refers to your mains-operated (corded) power tool or battery-operated (cordless) power tool.

SAVE THESE SAFETY INSTRUCTIONS.

7. If devices are provided for the connection of dust extraction and collection facilities, ensure these are connected and properly used. Use of dust collection can reduce dust-related hazards.

POWER TOOL USE AND CARE

1. Do not force the power tool. Use the correct power tool for your application. The correct power tool will do the job better and safer at the rate for which it was designed.

2. Do not use the power tool if the switch does not turn it on and off. Any power tool that cannot be controlled with the switch is dangerous and must be repaired.

3. Disconnect the plug from the power source and/or the battery pack from the power tool before making any adjustments, changing accessories, or storing power tools. Such preventive safety measures reduce the risk of starting the power tool accidentally.

4. Store idle power tools out of the reach of children and do not allow persons unfamiliar with the power tool or these instructions to operate the power tool. Power tools are dangerous in the hands of untrained users.

5. Maintain power tools. Check for misalignment or binding of moving parts, breakage of parts and any other condition that may affect the power tool's operation. If damaged, have the power tool repaired before use. Many accidents are caused by poorly maintained power tools.

6. Keep cutting tools sharp and clean. Properly maintained cutting tools with sharp cutting edges are less likely to bind and are easier to control.

7. Use the power tool, accessories and tool bits, etc. in accordance with these instructions, taking into account the working conditions and the work to be performed. Use of the power tool for operations different from those intended could result in a hazardous situation.

8. Use clamps to secure your workpiece to a stable surface. Holding a workpiece by hand or using your body to support it may lead to loss of control.

9. KEEP GUARDS IN PLACE and in working order.

SERVICE

1. Have your power tool serviced by a qualified repair person using only identical replacement parts. This will ensure that the safety of the power tool is maintained.


CALIFORNIA PROPOSITION 65 WARNING

Some dust created by power sanding, sawing, grinding, drilling, and other construction activities may contain chemicals, including lead, known to the State of California to cause cancer, birth defects, or other reproductive harm. Wash hands after handling. Some examples of these chemicals are:

- Lead from lead-based paints.
- Crystalline silica from bricks, cement, and other masonry products.
- Arsenic and chromium from chemically treated lumber.

Your risk from these exposures varies depending on how often you do this type of work. To reduce your exposure to these chemicals, work in a well-ventilated area with approved safety equipment such as dust masks specially designed to filter out microscopic particles.

POLE SAW SAFETY WARNINGS

 **WARNING!** Do not let comfort or familiarity with the product replace strict adherence to product safety rules. Failure to follow the safety instructions may result in serious personal injury.

POLE SAW SAFETY

1. **TOOL PURPOSE.** The purpose of this pole saw is for limbing trees and cleaning up branches. Use the pole saw for cutting wood only. Do not use this tool for cutting plastic, masonry or other materials. Do not push the tool beyond its limits or its capacities.

2. **WORKING ENVIRONMENT.** Keep the work area free from obstructions. Do not operate during adverse weather conditions, particularly during lightning and/or rain.

3. **PREVENT ELECTRIC SHOCK.** When working with the tool, make sure to keep the blade away from any power cables, extension cords or wiring. Hold the power tool by insulated gripping surfaces only in case the cutter contacts its own cord. Cutting a “live” wiring may make exposed metal parts of the tool “live” and could give the operator an electric shock. GFCI receptacles and personal protection devices such as electrician’s rubber gloves and footwear will reduce the risk of electric shock.

4. **TOOL INSPECTION.** Inspect the tool thoroughly before operation. Do not use the tool if any part is missing, damaged or altered. Do not use the tool if the power switch is faulty, the plug or cable is damaged, or the tool produces sparks, smoke, or unpleasant odors. Make sure all adjustments are correct and all connections are tight.

5. **CHAIN TENSIONING.** Keep proper tension of your blade at all times. Check the tension at regular intervals (see page 10). Disconnect the power before making any adjustments to the blade or the machine.

6. **PERSONAL SAFETY.** Make sure to wear eye and hearing protection. Other personal protection equipment for the head, hands, legs and feet is recommended. This machine is not intended for use by persons with an impaired physical, sensory or mental capacity or by persons with insufficient pole saw knowledge or experience. Do not use the machine if you are tired or under the influence of drugs, alcohol or medication.

7. **STANDING POSITION.** Only use the saw when standing on solid and level ground. Do not operate the saw while sitting or standing in a tree. Maintain a safe stance at all times. Do not overreach.

8. **HOLDING THE SAW.** Always hold the saw firmly with two hands: one hand on the middle handle grip and the other hand on the rear handle. Hold the power tool by insulated gripping surfaces only. Keep the hands and handles dry, clean and free from oil or other slippery substances. Slippery handles may lead to a loss of control of the tool.

9. **TURNING ON THE TOOL.** Before starting the saw, make sure the chain is not touching any objects. Otherwise the saw may kick back and cause you to lose control. Let the blade reach full speed before making a cut. Keep all parts of your body clear of the chain while the saw is running.

10. **DURING A CUT.** Cuts should only take place while the chain is moving at full speed. Only cut with the flat side of the saw; do not let the tip of the guide bar contact any surfaces. Do not turn the saw ON or OFF in the middle of a cut. Use extreme caution when re-entering a previous cut. Never saw with the upper edge or tip of the guide bar.

11. **CUTTING BRANCHES UNDER TENSION.** When cutting a branch that is under tension, take into account that the branch may spring back. Wood that is suddenly released from tension can react in a completely uncontrolled manner. This can result in severe injuries. Such work should only be performed by trained specialists.

12. **CUTTING THIN MATERIAL.** Use particular caution when cutting brush and young trees. The thin material may get caught in the chain and hit you or throw you off balance.

13. **CUT ONE LOG AT A TIME.** Do not attempt plunge or bore cuts. Watch for shifting logs or other external forces that could close a cut and pinch the chain. Use extreme caution when re-entering a previous cut.

POLE SAW SAFETY WARNINGS

⚠ WARNING! Do not let comfort or familiarity with the product replace strict adherence to product safety rules. Failure to follow the safety instructions may result in serious personal injury.

POLE SAW SAFETY

14. **MAINTAIN YOUR TOOL.** Develop a periodic maintenance schedule for your tool. Follow the instructions for lubrication, chain tensioning and changing accessories. Unplug the saw before making adjustments or changing accessories.

15. **MAINTAIN THE SAW CHAIN.** An improperly tensioned or lubricated chain may either break or considerably increase the risk of kickback. Only use replacement bars and chains specified by WEN. Replace dull chains as necessary (see page 14). Make sure the chain cover lock screw is tight.

16. **CARRYING THE SAW.** Always put on the protective cover when transporting or storing the pole saw. Carry the switched-off pole saw using the rear handle and the middle insulated grip, with the chain pointing away from your body. Carefully handling the saw greatly reduces the risk of accidentally touching the sharp cutting chain.

17. **REDUCING KICKBACK.** The term kickback refers to when the saw suddenly jumps up and back towards the operator. This abrupt powerful force causes the operator to lose control of the pole saw, increasing the chances of serious personal injury. Kickback can occur in the two following scenarios. Take proper safety prevention methods to reduce the risk of kickback.

KICKBACK SCENARIO	ACTIONS TO SAFEGUARD AGAINST KICKBACK
When the tip of the guide bar touches an object.	<ul style="list-style-type: none"> • Do not let the tip of the guide bar contact any surfaces. • Maintain a firm grip, with thumbs and fingers encircling the handles. Both hands should be on the saw with your body and arms in a position to resist kickback forces.
When the wood closes in and pinches the saw chain inside of the cut.	<ul style="list-style-type: none"> • Cuts should only take place while the chain is moving at full speed. Do not turn the saw ON or OFF in the middle of a cut. • Watch for shifting logs or other external forces that could close a cut and pinch the chain. • Make a precut on the opposite side of the log to avoid the blade from being pinched during operation as another safeguard against kickback. • Maintain a firm grip, with thumbs and fingers encircling the handles. Both hands should be on the saw with your body and arms in a position to resist kickback forces.

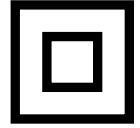
18. **USE COMMON SENSE.** These safety instructions can't possibly warn of every scenario that may arise with this tool, so always make sure to stay alert and use common sense during operation.

These safety instructions can't possibly warn of every scenario that may arise with this tool, always make sure to stay alert and use common sense during operation.

ELECTRICAL INFORMATION

DOUBLE-INSULATED TOOLS

The tool's electrical system is double insulated where two systems of insulation are provided. This eliminates the need for the usual three-wire grounded power cord. Double insulated tools do not need to be grounded, nor should a means for grounding be added to the product. All exposed metal parts are isolated from the internal metal motor components with protecting insulation.



IMPORTANT: Servicing a double-insulated product requires extreme care and knowledge of the system, and should be done only by qualified service personnel using identical replacement parts. Always use original factory replacement parts when servicing.

1. **POLARIZED PLUGS.** To reduce the risk of electric shock, this equipment has a polarized plug (one blade is wider than the other). This plug will fit in a polarized outlet only one way. If the plug does not fit fully in the outlet, reverse the plug. If it still does not fit, contact a qualified electrician to install a proper outlet. Do not modify the machine plug or the extension cord in any way.
2. **GROUND FAULT CIRCUIT INTERRUPTER PROTECTION (GFCI)** should be provided on the circuit or outlet used for this power tool to reduce the risk of electric shock.
3. **SERVICE AND REPAIR.** To avoid danger, electrical appliances must only be repaired by qualified service technician using original replacement parts.

GUIDELINES AND RECOMMENDATIONS FOR EXTENSION CORDS

When using an extension cord, be sure to use one heavy enough to carry the current your product will draw. An undersized cord will cause a drop in line voltage resulting in loss of power and overheating. The table below shows the correct size to be used according to cord length and ampere rating. When in doubt, use a heavier cord. The smaller the gauge number, the heavier the cord.

AMPERAGE	REQUIRED GAUGE FOR EXTENSION CORDS			
	25 ft.	50 ft.	100 ft.	150 ft.
6.5A	18 gauge	16 gauge	14 gauge	12 gauge

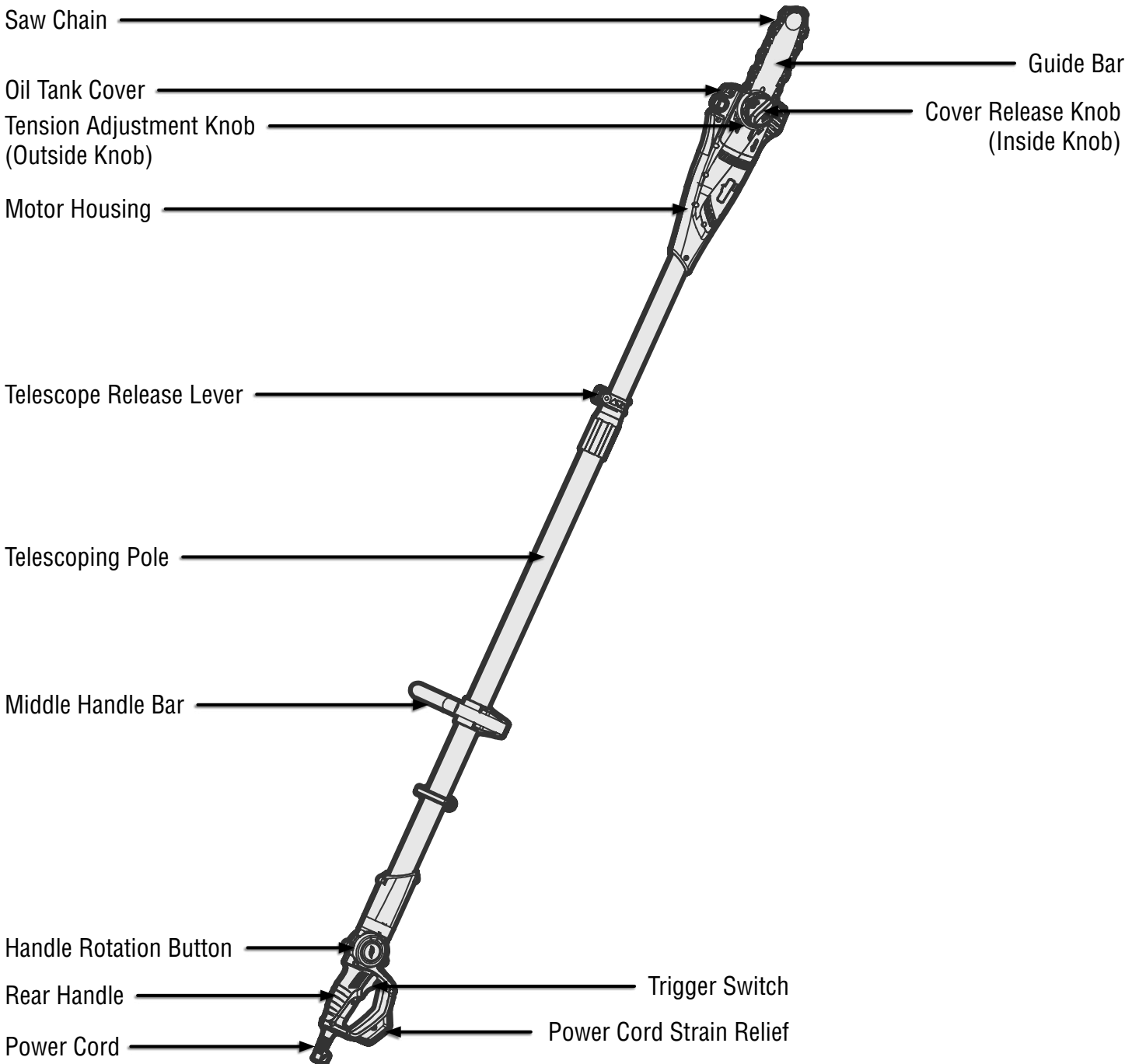
1. **EXAMINE EXTENSION CORD BEFORE USE.** Make sure your extension cord is properly wired and in good condition. Always replace a damaged extension cord or have it repaired by a qualified person before using it.
2. **DO NOT ABUSE EXTENSION CORD.** Do not pull on cord to disconnect from receptacle; always disconnect by pulling on plug. Disconnect the extension cord from the receptacle before disconnecting the product from the extension cord. Protect your extension cords from sharp objects, excessive heat and damp/wet areas.
3. **USE A SEPARATE ELECTRICAL CIRCUIT FOR YOUR TOOL.** This circuit must not be less than a 12-gauge wire and should be protected with a 15A time-delayed fuse. Before connecting the motor to the power line, make sure the switch is in the OFF position and the electric current is rated the same as the current stamped on the motor nameplate. Running at a lower voltage will damage the motor.

KNOW YOUR POLE SAW

UNPACKING

With the help of a friend or trustworthy foe, such as one of your in-laws, carefully remove the pole saw from the packaging and place it on a sturdy, flat surface. Make sure to take out all contents and accessories. Do not discard the packaging until everything is removed. Check to make sure you have all of the parts and accessories. If any part is missing or broken, please contact customer service at **1-800-232-1195** (M-F 8-5 CST), or email techsupport@wenproducts.com.

POLE SAW



ASSEMBLY & ADJUSTMENTS

⚠ WARNING! To avoid injury from accidental startups, be sure that the tool is switched off and disconnected from the power supply before inspecting the unit, making adjustments or changing accessories.

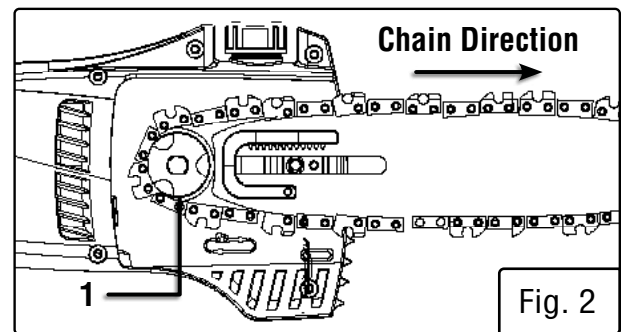
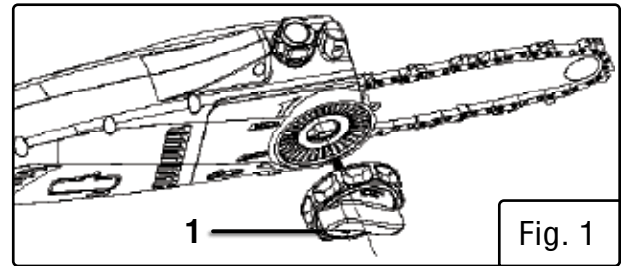
ASSEMBLING THE GUIDE BAR & SAW CHAIN

1. Loosen the cover release knob (Fig. 1 - 1) to release the chain sprocket cover. Remove the chain sprocket cover.

2. Place the chain in the groove of the outside edge of the guide bar as shown. Make sure the chain's direction of rotation is correct. The blades on each cutting link on the upper side of the cutting bar must be facing towards the tip of the chainsaw (Fig 2).

3. Place the guide bar and chain onto the chainsaw, aligning the slot in the guide bar as seen in Fig. 2. In the process, guide the chain around the pinion (Fig. 2 - 1) and hang the guide bar in the chain tensioning bolts.

4. Adjust the chain tension (see the section TENSIONING THE CHAIN below). Mount and hand-tighten the cover with the cover release knob.



TENSIONING THE SAW CHAIN

The guide bar and saw chain have already been assembled onto your pole saw. Before operation, it is necessary to check the chain tension. The chain tension is optimal if the saw chain can be lifted about 2mm (1/16") from the center of the edge of the guide bar (not from the tip). To adjust the chain tension:

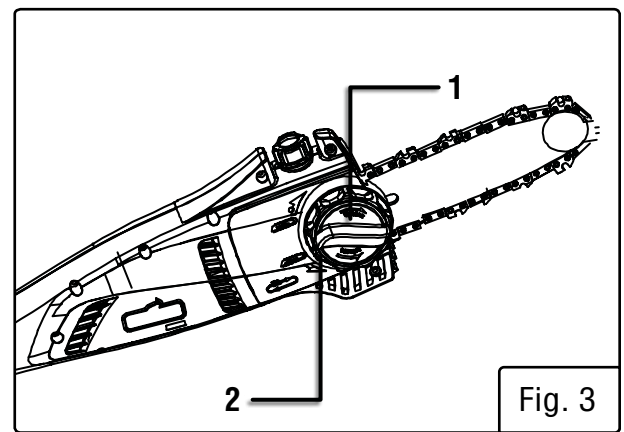
1. Disconnect the saw from the power supply. Always wear protective gloves when handling the saw chain to prevent injuries.

2. Loosen the chain cover lock knob (inside knob) (Fig. 3 - 1) of the chain cover by a few rotations.

3. Adjust the chain tension by rotating the tension adjustment wheel (outer wheel) (Fig. 3 - 2). Clockwise rotation increases the chain tension; counter-clockwise rotation reduces the chain tension. The saw chain is correctly tensioned if the chain can be lifted about 2mm (1/16") from the center of the guide bar.

NOTE: The saw chain must be tensioned properly to ensure safe operation. Since the saw chain heats up during operation, its length can therefore fluctuate. Check the chain tension every 10 minutes of operation and adjust as necessary, particularly for new saw chains.

TIP: Loosen the saw's tension after the cutting session has been completed. Since the chain shortens when it cools down, by loosening the chain you can elongate the chain's life and prevent damage.



ASSEMBLY & ADJUSTMENTS

⚠ WARNING! To avoid injury from accidental startups, be sure that the tool is switched off and disconnected from the power supply before inspecting the unit, making adjustments or changing accessories.

SAW CHAIN LUBRICATION

Always unplug the unit from its power source before inspection and adjustment work. Wear protective gloves during maintenance to prevent injury.

Never operate the pole saw without saw chain oil. The use of the pole saw without enough saw chain oil will damage the unit.

Only use special saw chain oil. Other oils will run the risk of damaging the unit and voiding the warranty.

Take note of temperature conditions. Using the saw at various temperatures requires the use of differing oils. To ensure a sufficient layer of lubricant at lower temperatures, use liquid oil (low viscosity).

FILLING THE OIL TANK

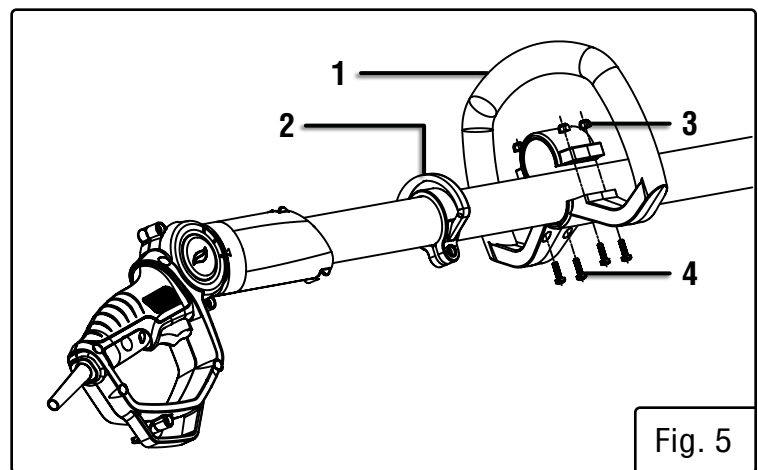
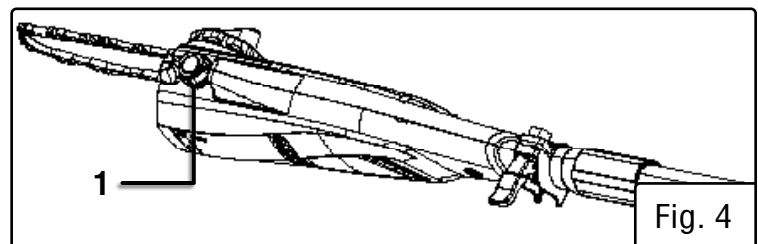
1. Place the saw on a level surface. Clean the area around the oil tank cap and then open it.
2. Fill the oil tank (Fig. 4 - 1) with standard bar and chain oil. In doing so, make sure that no dirt gets into the oil tank so that the oil nozzle does not clog.
3. Close the oil tank cap.

INSTALLING THE UTILITY STRAP

1. Fasten the carabiner hook on the shaft bracket of the shaft (Fig. 5 - 2).
2. Always use the utility strap. Never carry the belt diagonally across your shoulders and chest. Carry it on one shoulder so that you can move rapidly away from the tool in case of danger.
3. To release the strap, push both buttons and pull the lock apart.

INSTALLATION OF THE MIDDLE HANDLE BAR

1. Line the middle handle bar (Fig. 5 - 1) up so it is facing the same direction as the shoulder belt ring (Fig. 5 - 2)
2. Install the handle cover (Fig. 5 - 3) using the four included screws and hex nuts (Fig. 5 - 4) to secure the handle.



OPERATION

ADJUSTING THE TELESCOPING HANDLE

1. Unlock the telescope release lever so that the pole can freely extend outwards and inwards.
2. Extend it to the desired length and relock the telescope release lever to hold it in place.

ADJUSTING THE REAR HANDLE

The rear handle can be adjusted into three varying positions for different cutting angles. Adjust it by pushing the handle rotation button and turning the handle to the desired position. The pole saw can only be used if the handle is in a fixed position.

CONNECTING TO THE POWER SOURCE

1. Connect the main cable to a suitable extension cord. Make sure the extension cord is designed to accommodate the amperage (6.5A) of the pole saw. Refer to the chart on p. 8.
2. Prevent the extension cord from being accidentally unplugged by looping it through the power cord strain relief notch on the underside of the rear handle. Connect the extension cord to a nearby outlet.

TURNING THE POLE SAW ON AND OFF

To turn ON, hold the pole saw firmly with both hands on each respective handle (left hand on front handle and right hand on trigger switch/back handle). Press and hold the safety switch located on the lefthand side of the rear handle above the main power trigger. Press down the trigger to turn it ON. The safety switch can now be released.

To turn OFF, release the ON/OFF trigger switch. Always unplug the pole saw from its power supply when finished.

PREPRATION

Before each use, check the following items to ensure safe working conditions.

POLE SAW: Before beginning work, inspect the pole saw for damage to the housing, the extension cable, the saw chain and the guide bar. Never use an obviously damaged machine.

OIL TANK: Check the fill level of the oil tank. Also check whether there is sufficient oil available while working. Never operate the saw if there is no oil or the oil level has dropped below the minimum oil level mark in order to prevent damage to the pole saw. On average, an oil filling is sufficient for approximately 10 minutes of cutting operation (depending the duration of pauses and the density of the workpiece).

SAW CHAIN: Check the tension of the saw and the condition of the blades. The sharper the saw chain is, the easier and more manageable operations will be. The same applies to chain tension. Check the tension every 10 minutes of operation to maximize safety. New saw chains in particular are subject to changes due to the heat created by operation.

PROTECTIVE CLOTHING: make absolutely sure to wear the appropriate close-fitting protective clothing such as chainsaw-protective pants, gloves and safety shoes. Wear a safety helmet with integrated hearing protection and a face guard to provide protection against falling and recoiling branches.

OPERATION

SAFETY WARNINGS

1. In order to ensure safe work, do not operate the saw at an angle of over 60°.
2. Never stand below a branch that is being sawed.
3. Exercise caution when sawing both branches under tension or branches that are splintering.
4. Make sure to safe guard against the risk of injury from falling branches and flying wood projectiles.
5. If the machine is in operation, keep persons and animals away from the danger area.
6. The machine is not protected against electric shock when coming into contact with high-voltage lines. Maintain a minimum clearance of 30 feet from current-carrying powerlines to avoid life-threatening electric shock.
7. When working on an incline, always stand above or to the side of the base of the tree being sawed to prevent branches from rolling down the hill towards you. Hold the machine as close as possible to your body. By doing so, you maximize your balance.

SAWING TECHNIQUES

When removing branches, hold the pole saw at an angle ranging from 0 to 60° in order to avoid being struck by a falling branch. The saw should never be operated directly above head. Saw off the lower branches on the tree first. By doing so, it is easier for the cut branches to fall to the ground.

At the end of the cut, the weight of the saw suddenly increases for the user since it is no longer being supported by a branch. There is a risk of losing control of the saw, so make sure to stay alert during the entire sawing operation. Only pull the saw out of a cut while the saw is running. By doing so, you prevent the chain from jamming in the wood.

Do not saw with the tip of the guide bar. Do not saw into the branch formations (where the tree branches outwards). This will impede the tree's ability to heal.

For sawing off smaller branches, apply light pressure, guiding the saw through the branch from top to bottom.

For sawing off larger branches, first make a relief cut. Saw through 1/3 of the branch diameter from the bottom to top using the top side of the guide bar. Then saw from top to bottom for the other 2/3 using the bottom side of the guide bar. Saw off longer branches in sections in order to maintain control over the location of impact.

PREVENTING KICKBACK

The term kickback refers to when the saw suddenly jumps up and back. This is usually caused by the workpiece coming into contact with the guide bar tip or by the cut branch closing in and clamping down on the saw chain.

A kickback generates an abrupt powerful force. The saw usually reacts in an uncontrolled manner, creating the possibility of injury to the user.

The danger of a kickback is greatest if you apply the area near the guide bar tip into a branch. Always apply the saw as flatly as possible in order avoid a loss of control during operation.

MAINTENANCE

CLEANING

Regularly clean the tensioning mechanisms by blowing compressed air onto it or by cleaning it with a brush. Do not use any tools for the cleaning.

Loosen the saw's tension after the cutting session is completed since the chain shortens when it cools down. In doing so, you can elongate the chain's life and prevent damage.

Keep the oil away from the handle in order to ensure a secure hold.

Clean the machine as necessary with a damp cloth and a mild cleanser, if appropriate.

If the pole saw is not used for an extended period of time, remove the chain oil from the tank. Briefly place the chain and the guide bar in an oil bath and then wrap in oil paper to dry.

Always replace the protective cover for transport or storage of the pole saw. Secure the tool during transport to avoid damage or injuries. Unplug the power supply before cleaning. Never immerse the machine in water or other liquids. Store the pole saw in a safe and dry area away from children.

REPLACING THE SAW CHAIN AND GUIDE BAR

The guide bar must be replaced if the groove of the guide is worn out or the spur wheel in the guide bar is damaged or worn out.

CHECKING THE AUTOMATIC CHAIN LUBRICATION

Regularly check the functionality of the automatic chain lubrication in order to prevent overheating and the subsequent damage to the guide bar and saw chain associated with it. For this purpose, align the guide bar tip against a smooth surface (board, cut-in of a tree) and allow the pole saw to run. If an increasing amount of oil appears, the automatic chain lubrication functions properly.

PRODUCT DISPOSAL

Used power tools contain recyclable materials and should not be disposed with household waste. Please take this product to your local recycling facility for responsible disposal and to minimize its environmental impact.

TROUBLESHOOTING GUIDE

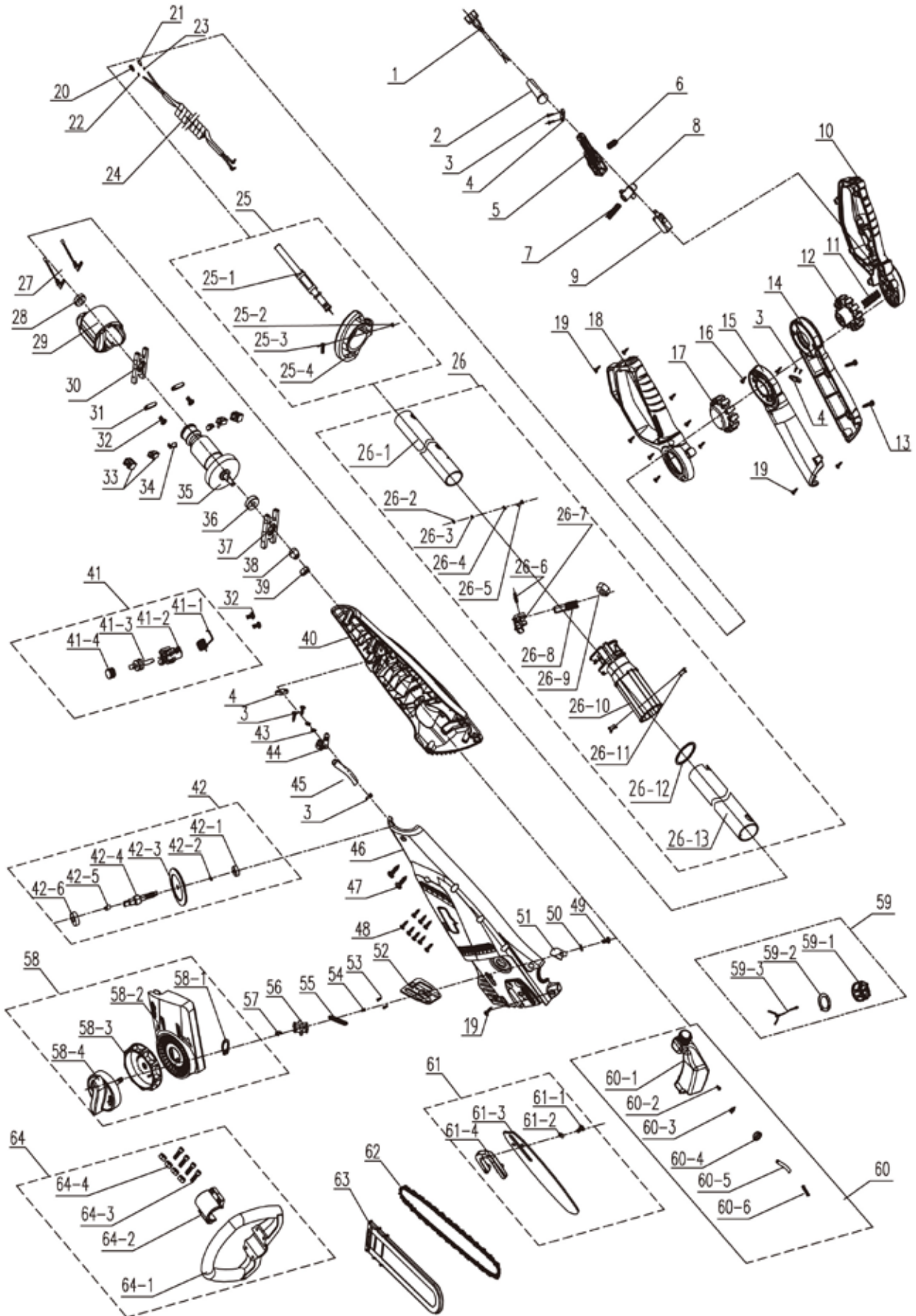
PROBLEM	CAUSE	SOLUTION
Pole saw does not operate properly	No power supply	Check the power supply.
	Defective outlet	Try a different source of power. Change as necessary.
	Damaged Extension cable	Check cable and replace if necessary.
	Defective fuse	Replace the fuse.
Pole saw operates irregularly	Damaged power cable	Take saw to a service technician.
	Loose external connection	Take saw to a service technician.
	Loose internal connection	Take saw to a service technician.
	Defective ON/OFF switch	Take saw to a service technician.
Dry saw chain	No oil in the tank	Refill oil.
	Ventilation in the oil tank cap clogged	Clean oil tank cap.
	Oil Tank Flow Clogged	Unclog oil flow channel.
Chain/guide rail become too hot	No oil in the tank	Refill oil.
	Ventilation in the oil tank cap clogged	Clean oil tank cap.
	Oil tank flow channel clogged	Unclog oil flow channel.
	Dull chain	Sharpen or replace chain.
Chainsaw jumps up, vibrates or does not saw properly.	Chain tension too loose	Adjust chain tension.
	Dull chain	Resharpen or replace chain.
	Chain worn out	Replace chain.
	Saw teeth pulling in the wrong direction	Remount saw chain with teeth in the correct direction.

EXPLODED VIEW & PARTS LIST

No.	Part No.	Description	Qty.
1	4021-001	Power Cord	1
2	4021-002	Cable Sheath	1
3	4021-003	Power Cord Screws	7
4	4021-004	Cable Clamp	3
5	4021-005	Switch Trigger	1
6	4021-006	Brake Lever Spring	1
7	4021-007	Button Spring	1
8	4021-008	Lock Off Button	1
9	4021-009	Control Switch	1
10	4021-010	Left Rear Handle	1
11	4021-011	Spring	1
12	4021-012	Left Sprocket	1
13	4021-013	Front Handle Screw	2
14	4021-014	Left Front Handle	1
15	4021-015	Right Front Handle Cover	1
16	4021-016	Handle Connection Screw	2
17	4021-017	Right Sprocket	1
18	4021-018	Right Rear Handle	1
19	4021-019	Self Tapping Screw	11
20	4021-020	Female Terminal	1
21	4021-021	Male Terminal	1
22	4021-022	Heat Shrink Sleeve For Female End	1
23	4021-023	Heat Shrink Sleeve For Male End	1
24	4021-024	The Spring Connecting Line	1
25	4021-025	Telescoping Clamp Sub Assembly	1
25-1	4021-026	Brace	1
25-2	4021-027	Nut	1
25-3	4021-028	Clamp Screw	1
25-4	4021-029	Clamp Ring	1
26	4021-030	Telescoping Subassembly	1
26-1	4021-031	Inner Pipe	1
26-2	4021-032	Plastic Hex Nuts	1
26-3	4021-033	Flat Washer	1
26-4	4021-034	Flat Gasket	1
26-5	4021-035	Machine Screw	1
26-6	4021-036	Cylindrical Pin	1
26-7	4021-037	Telescope Clamp	1
26-8	4021-038	Adjusting Bolt	1
26-9	4021-039	Lock Nut	1
26-10	4021-040	Telescope Sleeve	2
26-11	4021-041	Pin	1
26-12	4021-042	Ring	1
26-13	4021-043	Outer Telescoping Pipe	1
27	4021-044	Carbon Brush The Connecting Line	2
28	4021-045	607 Bearing	1
29	4021-046	Stator	1
30	4021-047	Bearing Bracket	1
31	4021-048	Clamp	2
32	4021-049	Flange Tapping Screw	4
33	4021-050	Brush Holder	2
34	4021-051	Carbon Brush	2
35	4021-052	Rotor Subassembly	1
36	4021-053	Deep Groove Ball Bearing	1
37	4021-054	Bearing Bracket	1
38	4021-055	Small Gear	1
39	4021-056	Hex Nut	1

No.	Part No.	Description	Qty.
40	4021-057	Left Housing	1
41	4021-058	Oil Pump Sub Assembly	1
41-1	4021-059	Oil Pump Tension Spring	1
41-2	4021-060	Oil Pump	1
41-3	4021-061	Worm Gear	1
41-4	4021-062	Worm Gear End	1
42	4021-063	Gear Sub Assembly	1
42-1	4021-064	Bearing	1
42-2	4021-065	Split Washer	1
42-3	4021-066	Big Gear	1
42-4	4021-067	Output Shaft	1
42-5	4021-068	Woodruff Key	1
42-6	4021-069	Bearing	1
43	4021-070	O Ring	2
44	4021-071	Oil Nozzle	1
45	4021-072	Oil Hosing	1
46	4021-073	Right Housing	1
47	4021-074	Right Housing Screw	2
48	4021-075	Housing Screws	8
49	4021-076	Dust Cover Screw	1
50	4021-077	Flat Gasket	1
51	4021-078	The Dustproof Cover	1
52	4021-079	Heat Insulation Plate	1
53	4021-080	Heat Plate Screws	2
54	4021-081	Cover Screws	1
55	4021-082	Oil-Out Seal Ring	1
56	4021-083	Sprocket	1
57	4021-084	Retaining Ring	1
58	4021-085	Adjustment Sub Assembly	1
58-1	4021-086	Retaining Ring	1
58-2	4021-087	Adjustment Cover	1
58-3	4021-088	Adjusting Knob	1
58-4	4021-089	Knob	1
59	4021-090	Oil Tank Cap Sub Assembly	1
59-1	4021-091	Oil Tank Cap	1
59-2	4021-092	Oil Tank O Ring	1
59-3	4021-093	Anti Drop Hook	1
60	4021-094	Oil Tank Sub Assembly	1
60-1	4021-095	Oil Tank	1
60-2	4021-096	Valve	1
60-3	4021-097	Filtrate Spring	1
60-4	4021-098	O Ring	1
60-5	4021-099	Hosing	1
60-6	4021-100	Tube Spring	1
61	4021-101ASM	Chain Bar Subassembly	1
61-1	4021-102	Bar Screw	1
61-2	4021-103	Seal Ring	1
61-3	4021-104	Chain Bar	1
61-4	4021-105	U Gear	1
62	4021-106	Chain Blade	1
63	4021-107	Guide Bar Sleeve	1
64	4021-108	Auxiliary Handle Subassembly	1
64-1	4021-109	Auxiliary Handle	1
64-2	4021-110	Auxiliary Handle Bracket	1
64-3	4021-111	Screw	4
64-4	4021-112	Nut	4

EXPLODED VIEW & PARTS LIST



WARRANTY STATEMENT

WEN Products is committed to building tools that are dependable for years. Our warranties are consistent with this commitment and our dedication to quality.

LIMITED WARRANTY OF WEN PRODUCTS FOR HOME USE

GREAT LAKES TECHNOLOGIES, LLC (“Seller”) warrants to the original purchaser only, that all WEN consumer power tools will be free from defects in material or workmanship during personal use for a period of two (2) years from date of purchase or 500 hours of use; whichever comes first. Ninety days for all WEN products if the tool is used for professional or commercial use. Purchaser has 30 days from the date of purchase to report missing or damaged parts.

SELLER’S SOLE OBLIGATION AND YOUR EXCLUSIVE REMEDY under this Limited Warranty and, to the extent permitted by law, any warranty or condition implied by law, shall be the replacement of parts, without charge, which are defective in material or workmanship and which have not been subjected to misuse, alteration, careless handling, misrepair, abuse, neglect, normal wear and tear, improper maintenance, or other conditions adversely affecting the Product or the component of the Product, whether by accident or intentionally, by persons other than Seller. To make a claim under this Limited Warranty, you must make sure to keep a copy of your proof of purchase that clearly defines the Date of Purchase (month and year) and the Place of Purchase. Place of Purchase must be a direct vendor of Great Lakes Technologies, LLC. Purchasing through third party vendors, including but not limited to garage sales, pawn shops, resale shops, or any other secondhand merchant, voids the warranty included with this product. Contact techsupport@wenproducts.com or 1-800-232-1195 with the following information to make arrangements: your shipping address, phone number, serial number, required part numbers, and proof of purchase. Damaged or defective parts and products may need to be sent to WEN before the replacements can be shipped out.

Upon the confirmation of a WEN representative, your product may qualify for repairs and service work. When returning a product for warranty service, the shipping charges must be prepaid by the purchaser. The product must be shipped in its original container (or an equivalent), properly packed to withstand the hazards of shipment. The product must be fully insured with a copy of the proof of purchase enclosed. There must also be a description of the problem in order to help our repairs department diagnose and fix the issue. Repairs will be made and the product will be returned and shipped back to the purchaser at no charge for addresses within the contiguous United States.

THIS LIMITED WARRANTY DOES NOT APPLY TO ITEMS THAT WEAR OUT FROM REGULAR USAGE OVER TIME, INCLUDING BELTS, BRUSHES, BLADES, BATTERIES, ETC. ANY IMPLIED WARRANTIES SHALL BE LIMITED IN DURATION TO TWO (2) YEARS FROM DATE OF PURCHASE. SOME STATES IN THE U.S. AND SOME CANADIAN PROVINCES DO NOT ALLOW LIMITATIONS ON HOW LONG AN IMPLIED WARRANTY LASTS, SO THE ABOVE LIMITATION MAY NOT APPLY TO YOU.

IN NO EVENT SHALL SELLER BE LIABLE FOR ANY INCIDENTAL OR CONSEQUENTIAL DAMAGES (INCLUDING BUT NOT LIMITED TO LIABILITY FOR LOSS OF PROFITS) ARISING FROM THE SALE OR USE OF THIS PRODUCT. SOME STATES IN THE U.S. AND SOME CANADIAN PROVINCES DO NOT ALLOW THE EXCLUSION OR LIMITATION OF INCIDENTAL OR CONSEQUENTIAL DAMAGES, SO THE ABOVE LIMITATION OR EXCLUSION MAY NOT APPLY TO YOU.

THIS LIMITED WARRANTY GIVES YOU SPECIFIC LEGAL RIGHTS, AND YOU MAY ALSO HAVE OTHER RIGHTS WHICH VARY FROM STATE TO STATE IN THE U.S., PROVINCE TO PROVINCE IN CANADA AND FROM COUNTRY TO COUNTRY.

THIS LIMITED WARRANTY APPLIES ONLY TO ITEMS SOLD WITHIN THE UNITED STATES OF AMERICA, CANADA AND THE COMMONWEALTH OF PUERTO RICO. FOR WARRANTY COVERAGE WITHIN OTHER COUNTRIES, CONTACT THE WEN CUSTOMER SUPPORT LINE. FOR WARRANTY PARTS OR PRODUCTS REPAIRED UNDER WARRANTY SHIPPING TO ADDRESSES OUTSIDE OF THE CONTIGUOUS UNITED STATES, ADDITIONAL SHIPPING CHARGES MAY APPLY.

**THANKS FOR
REMEMBERING**  [®]