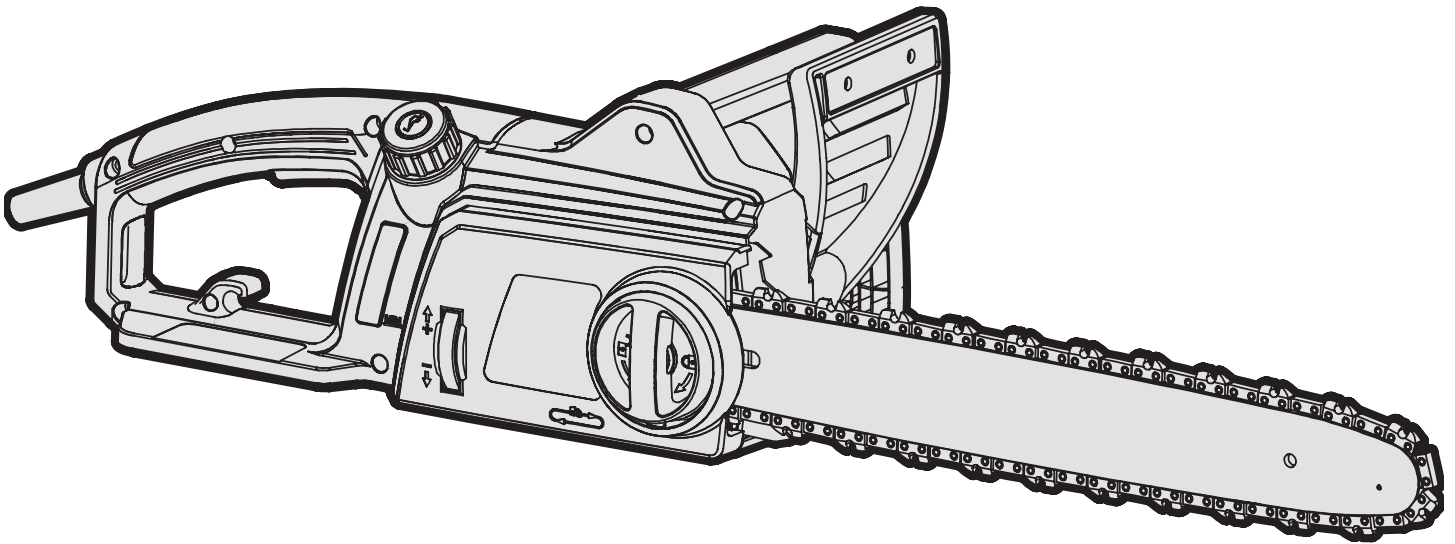




MODEL 4017

16-INCH ELECTRIC CHAINSAW

Instruction Manual



NEED HELP? CONTACT US!

Have product questions? Need technical support? Please feel free to contact us:



1-800-232-1195 (M-F 8AM-5PM CST)



TECHSUPPORT@WENPRODUCTS.COM

IMPORTANT: Your new tool has been engineered and manufactured to WEN's highest standards for dependability, ease of operation, and operator safety. When properly cared for, this product will supply you years of rugged, trouble-free performance. Pay close attention to the rules for safe operation, warnings, and cautions. If you use your tool properly and for its intended purpose, you will enjoy years of safe, reliable service.

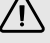
For replacement parts and the most up-to-date instruction manuals, visit ***WENPRODUCTS.COM***

CONTENTS

WELCOME	3
Introduction	3
Specifications.....	3
SAFETY	4
General Safety Rules.....	4
Chainsaw Safety Warnings.....	6
Electrical Information.....	8
BEFORE OPERATING	9
Know Your Chainsaw	9
Assembly & Adjustment.....	10
OPERATION & MAINTENANCE	12
Operation	12
Maintenance.....	17
Storage	17
Troubleshooting Guide.....	18
Exploded View & Parts List.....	19
Warranty Statement	22

INTRODUCTION

Thanks for purchasing the WEN Electric Chainsaw. We know you are excited to put your tool to work, but first, please take a moment to read through the manual. Safe operation of this tool requires that you read and understand this operator's manual and all the labels affixed to the tool. This manual provides information regarding potential safety concerns, as well as helpful assembly and operating instructions for your tool.

 Indicates danger, warning, or caution. The safety symbols and the explanations with them deserve your careful attention and understanding. Always follow the safety precautions to reduce the risk of fire, electric shock or personal injury. However, please note that these instructions and warnings are not substitutes for proper accident prevention measures.

NOTE: The following safety information is not meant to cover all possible conditions and situations that may occur. WEN reserves the right to change this product and specifications at any time without prior notice.

At WEN, we are continuously improving our products. If you find that your tool does not exactly match this manual, please visit wenproducts.com for the most up-to-date manual or contact our customer service at **1-800-232-1195**.

Keep this manual available to all users during the entire life of the tool and review it frequently to maximize safety for both yourself and others.

SPECIFICATIONS

Model Number	4017
Motor	120V, 60Hz, 12A
Saw Chain	16", 56 Drive Links
Chain Pitch	3/8 Inch
Chain Gauge	0.050 Inch (1.3mm)
Sharpening File Size	5/32 Inch (4mm)
Cutting Speed (No-Load)	44.2 Feet per Second
Oil Tank Capacity	3.4 fl. oz.
Oil Type	Standard Bar and Chain Oil
Weight	10 lbs
Dimensions	30-1/2" x 10-1/2" x 7-1/4"

NOTE: Your WEN Electric Chainsaw is compatible with the 16" Oregon saw chain, model S56 (91PJ056X), and Oregon guide bar, model 91 DoubleGuard (160SDEA041).

GENERAL SAFETY RULES

⚠ WARNING! Read all safety warnings and all instructions. Failure to follow the warnings and instructions may result in electric shock, fire and/or serious injury.

Safety is a combination of common sense, staying alert and knowing how your item works. The term “power tool” in the warnings refers to your mains-operated (corded) power tool or battery-operated (cordless) power tool.

SAVE THESE SAFETY INSTRUCTIONS.

WORK AREA SAFETY

- 1. Keep work area clean and well lit.** Cluttered or dark areas invite accidents.
- 2. Do not operate power tools in explosive atmospheres, such as in the presence of flammable liquids, gases or dust.** Power tools create sparks which may ignite the dust or fumes.
- 3. Keep children and bystanders away while operating a power tool.** Distractions can cause you to lose control.

ELECTRICAL SAFETY

- 1. Power tool plugs must match the outlet. Never modify the plug in any way. Do not use any adapter plugs with earthed (grounded) power tools.** Unmodified plugs and matching outlets will reduce risk of electric shock.
- 2. Avoid body contact with earthed or grounded surfaces such as pipes, radiators, ranges and refrigerators.** There is an increased risk of electric shock if your body is earthed or grounded.
- 3. Do not expose power tools to rain or wet conditions.** Water entering a power tool will increase the risk of electric shock.
- 4. Do not abuse the cord. Never use the cord for carrying, pulling or unplugging the power tool. Keep cord away from heat, oil, sharp edges or moving parts.** Damaged or entangled cords increase the risk of electric shock.
- 5. When operating a power tool outdoors, use an extension cord suitable for outdoor use.** Use of a cord suitable for outdoor use reduces the risk of electric shock.

6. If operating a power tool in a damp location is unavoidable, use a ground fault circuit interrupter (GFCI) protected supply. Use of a GFCI reduces the risk of electric shock.

PERSONAL SAFETY

- 1. Stay alert, watch what you are doing and use common sense when operating a power tool. Do not use a power tool while you are tired or under the influence of drugs, alcohol or medication.** A moment of inattention while operating power tools may result in serious personal injury.
- 2. Use personal protective equipment. Always wear eye protection.** Protective equipment such as a respiratory mask, non-skid safety shoes and hearing protection used for appropriate conditions will reduce the risk of personal injury.
- 3. Prevent unintentional starting. Ensure the switch is in the off-position before connecting to power source and/or battery pack, picking up or carrying the tool.** Carrying power tools with your finger on the switch or energizing power tools that have the switch on invites accidents.
- 4. Remove any adjusting key or wrench before turning the power tool on.** A wrench or a key left attached to a rotating part of the power tool may result in personal injury.
- 5. Do not overreach. Keep proper footing and balance at all times.** This enables better control of the power tool in unexpected situations.
- 6. Dress properly. Do not wear loose clothing or jewelry. Keep your hair and clothing away from moving parts.** Loose clothes, jewelry or long hair can be caught in moving parts.

GENERAL SAFETY RULES

⚠ WARNING! Read all safety warnings and all instructions. Failure to follow the warnings and instructions may result in electric shock, fire and/or serious injury.

Safety is a combination of common sense, staying alert and knowing how your item works. The term “power tool” in the warnings refers to your mains-operated (corded) power tool or battery-operated (cordless) power tool.

SAVE THESE SAFETY INSTRUCTIONS.

7. If devices are provided for the connection of dust extraction and collection facilities, ensure these are connected and properly used. Use of dust collection can reduce dust-related hazards.

POWER TOOL USE AND CARE

1. Do not force the power tool. Use the correct power tool for your application. The correct power tool will do the job better and safer at the rate for which it was designed.

2. Do not use the power tool if the switch does not turn it on and off. Any power tool that cannot be controlled with the switch is dangerous and must be repaired.

3. Disconnect the plug from the power source and/or the battery pack from the power tool before making any adjustments, changing accessories, or storing power tools. Such preventive safety measures reduce the risk of starting the power tool accidentally.

4. Store idle power tools out of the reach of children and do not allow persons unfamiliar with the power tool or these instructions to operate the power tool. Power tools are dangerous in the hands of untrained users.

5. Maintain power tools. Check for misalignment or binding of moving parts, breakage of parts and any other condition that may affect the power tool's operation. If damaged, have the power tool repaired before use. Many accidents are caused by poorly maintained power tools.

6. Keep cutting tools sharp and clean. Properly maintained cutting tools with sharp cutting edges are less likely to bind and are easier to control.

7. Use the power tool, accessories and tool bits, etc. in accordance with these instructions, taking into account the working conditions and the work to be performed. Use of the power tool for operations different from those intended could result in a hazardous situation.

8. Use clamps to secure your workpiece to a stable surface. Holding a workpiece by hand or using your body to support it may lead to loss of control.

9. KEEP GUARDS IN PLACE and in working order.

SERVICE

1. Have your power tool serviced by a qualified repair person using only identical replacement parts. This will ensure that the safety of the power tool is maintained.


CALIFORNIA PROPOSITION 65 WARNING

Some dust created by power sanding, sawing, grinding, drilling, and other construction activities may contain chemicals, including lead, known to the State of California to cause cancer, birth defects, or other reproductive harm. Wash hands after handling. Some examples of these chemicals are:

- Lead from lead-based paints.
- Crystalline silica from bricks, cement, and other masonry products.
- Arsenic and chromium from chemically treated lumber.

Your risk from these exposures varies depending on how often you do this type of work. To reduce your exposure to these chemicals, work in a well-ventilated area with approved safety equipment such as dust masks specially designed to filter out microscopic particles.

CHAINSAW SAFETY WARNINGS

 **WARNING!** Do not let comfort or familiarity with the product replace strict adherence to product safety rules. Failure to follow the safety instructions may result in serious personal injury.

CHAINSAW SAFETY

1. TOOL PURPOSE. This chainsaw is designed for sawing wood. Sawing other types of materials may result in serious injuries, machine damage and voiding of the warranty.

2. Keep all parts of the body away from the saw chain when the chainsaw is operating. Before you start the chainsaw, make sure the saw chain is not contacting anything. A moment of inattention while operating the chain saw may cause entanglement of your clothing or body with the saw chain.

3. Always hold the chainsaw with your right hand on the rear handle and your left hand on the front handle. Holding the chainsaw in the opposite manner can result in an increased risk of serious injury to the user and should never be done.

NOTE: For chain saws designed with the guide bar on the left side, the reference to “right hand” and “left hand” positioning is reversed.

4. Only hold the power tool by the insulated gripping surfaces to avoid electric shock in case the saw chain contacts hidden wiring. Saw chains contacting a live wire may make exposed metal parts of the power tool live and can give the operator an electric shock.

5. Wear safety glasses and hearing protection. Protective equipment for hands, legs, head and feet is also highly recommended. Protective clothing greatly reduces the risk of personal injury from loose debris or accidental contact with the saw chain.

6. Do not operate the chainsaw while standing in a tree. Only operate the chainsaw from a firm, level surface fixed on the ground.

7. Always keep proper footing during operation. Slippery or unstable surfaces such as ladders may cause a loss of balance or control.

8. When cutting a limb that is under tension, be alert for spring back. When tension from wood fibers and branches is suddenly released, the limb may fly in unpredictable ways, possibly resulting in kickback and injury to the user.


9. Use extreme caution when cutting brush and saplings. The slender material may catch the saw chain, whipping towards you or pulling you off balance.

10. Carry the chainsaw by the front handle with the chainsaw switched off and away from your body. When transporting or storing the chainsaw always protect the blade with a scabbard (blade cover).

11. Routinely lubricate, adjust chain tension, and check blades for dullness. Follow these instructions closely to minimize kickback and maximize the lifespan of the tool.

12. Keep handles dry, clean and free of oil and grease. Slippery handles increase the chances of losing control.

CHAINSAW SAFETY WARNINGS

 **WARNING!** To reduce the risk of electric shock, always unplug the tool before performing any cleaning or maintenance. Do not allow water to flow into the tool. Use a Ground Fault Circuit Interrupter (GFCI) to reduce shock hazards.

CHAINSAW SAFETY

13. Only use this chainsaw to cut wood. Do not cut plastic, masonry or other non-wood materials. Do not use this chainsaw for anything other than its intended purpose. Let the saw work at its own pace.

REDUCING KICKBACK

Kickback can occur when the tip of the guide bar touches an object or when the wood closes in and pinches the saw chain inside of the cut. Tip contact can kick the guide bar up and back towards the operator. Pinching the saw chain along the top of the guide bar can push the bar rapidly towards the operator. Either of these reactions may cause a loss in control of the chainsaw, increasing the chances of serious personal injury. Do not rely on the safety devices built into the saw. Chainsaw users should take as many precautions as possible to minimize on-site accidents. Kickback is the result of tool misuse and/or incorrect operating procedures. These conditions can be minimized with the following steps:

1. Maintain a firm grip, with thumbs and fingers encircling the chainsaw handles. Both hands should be on the saw with your body and arms in a position to resist kickback forces. Kickback forces can be controlled by the operator, if proper precautions are taken. Do not let go of the chainsaw.

2. Do not overreach and do not cut above shoulder height. This helps prevent unintended tip contact and enables better control of the chainsaw in unexpected situations.

3. Only use replacement bars and chains specified by WEN. Incorrect replacement bars and chains may cause chain breakage and/or kickback.

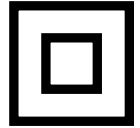
4. Follow the manufacturer's sharpening and maintenance instructions for the chainsaw. Decreasing the depth gauge height can lead to increased kickback.

These safety instructions can't possibly warn of every scenario that may arise with this tool, always make sure to stay alert and use common sense during operation.

ELECTRICAL INFORMATION

DOUBLE-INSULATED TOOLS

The tool's electrical system is double-insulated where two systems of insulation are provided. This eliminates the need for the usual three-wire grounded power cord. Double-insulated tools do not need to be grounded, nor should a means for grounding be added to the product. All exposed metal parts are isolated from the internal metal motor components with protecting insulation.



IMPORTANT: Servicing a double-insulated product requires extreme care and knowledge of the system, and should be done only by qualified service personnel using identical replacement parts. Always use original factory replacement parts when servicing.

1. Polarized Plugs. To reduce the risk of electric shock, this equipment has a polarized plug (one blade is wider than the other). This plug will fit in a polarized outlet only one way. If the plug does not fit fully in the outlet, reverse the plug. If it still does not fit, contact a qualified electrician to install a proper outlet. Do not modify the machine plug or the extension cord in any way.

2. Ground fault circuit interrupter protection (GFCI) should be provided on the circuit or outlet used for this power tool to reduce the risk of electric shock.

3. Service and repair. To avoid danger, electrical appliances must only be repaired by a qualified service technician using original replacement parts.

GUIDELINES AND RECOMMENDATIONS FOR EXTENSION CORDS

When using an extension cord, be sure to use one heavy enough to carry the current your product will draw. An undersized cord will cause a drop in line voltage, resulting in loss of power and overheating. The table below shows the correct size to be used according to cord length and ampere rating. When in doubt, use a heavier cord. The smaller the gauge number, the heavier the cord.

AMPERAGE	REQUIRED GAUGE FOR EXTENSION CORDS			
	25 ft.	50 ft.	100 ft.	150 ft.
12A	16 gauge	16 gauge	14 gauge	10 gauge

1. Examine extension cord before use. Make sure your extension cord is properly wired and in good condition. Always replace a damaged extension cord or have it repaired by a qualified person before using it.

2. Do not abuse extension cord. Do not pull on cord to disconnect from receptacle; always disconnect by pulling on plug. Disconnect the extension cord from the receptacle before disconnecting the product from the extension cord. Protect your extension cords from sharp objects, excessive heat and damp/wet areas.

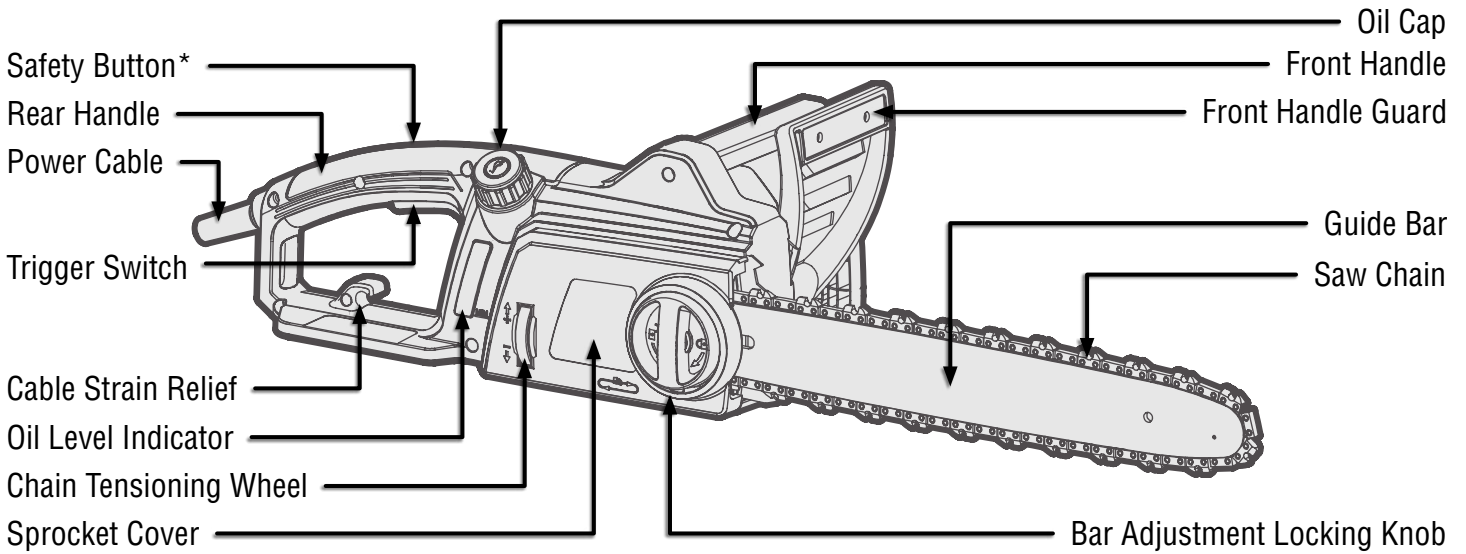
3. Use a separate electrical circuit for your tool. This circuit must not be less than a 12-gauge wire and should be protected with a 15A time-delayed fuse. Before connecting the motor to the power line, make sure the switch is in the OFF position and the electric current is rated the same as the current stamped on the motor nameplate. Running at a lower voltage will damage the motor.

KNOW YOUR CHAINSAW

TOOL PURPOSE

This chainsaw is designed to saw wood. Refer to the diagram below to become familiarized with the parts and controls of your Electric Chainsaw.

CHAINSAW



* Not Shown - On Opposite Side of Handle

ASSEMBLY & ADJUSTMENTS

⚠ WARNING! Do not plug in or turn on the tool until it is fully assembled according to the instructions. Failure to follow the safety instructions may result in serious personal injury.

FILLING THE AUTO OIL SYSTEM

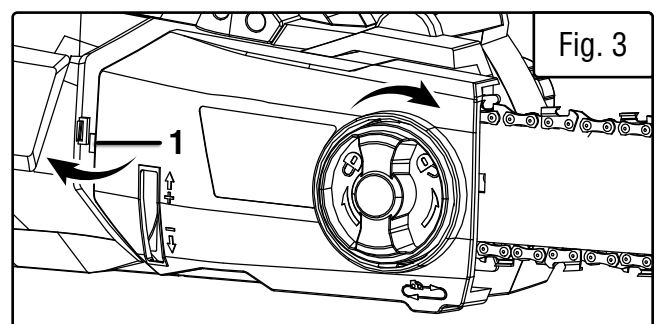
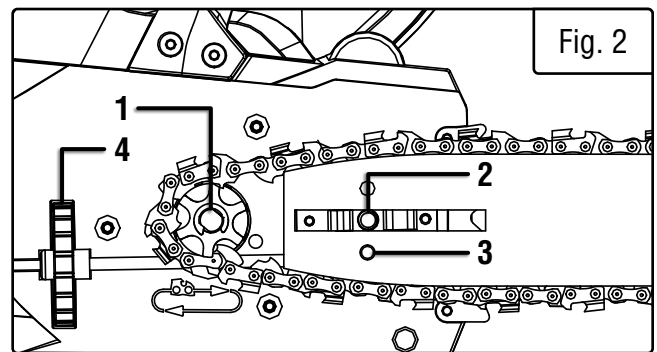
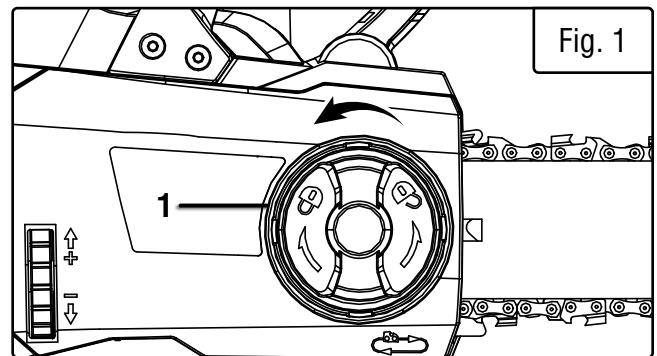
This chainsaw features an auto-oiling system to keep the chain and guide bar properly lubricated. The oil level indicator shows the remaining oil in the chainsaw. If the oil level decreases to below one quarter capacity, refill it with the proper bar and chain oil. To fill the oil reservoir:

1. Remove the oil cap. Fill the reservoir with bar and chain oil (not included) until the oil level has reached full capacity.
2. Put the oil cap back on. Make sure to check the oil level after every 10 minutes of use. Unplug the chainsaw before checking oil levels or filling the oil reservoir.

⚠ WARNING! Do not turn on the tool until it is fully assembled according to the instructions. Failure to follow the safety instructions may result in serious personal injury.

INSTALLING THE GUIDE BAR AND CHAIN

1. Place the saw on a firm and level surface.
2. Turn the bar adjustment locking knob counterclockwise (Fig. 1 - 1) to remove the cover from the saw's body.
3. While wearing protective gloves, wrap the saw chain around the guide bar, making sure that the teeth are aimed in the direction of rotation (Fig. 7). There is also a handy decal on the bar. The chain should be properly set in the slot running along the entire outside edge of the guide bar.
4. Place the saw chain around the sprocket (Fig. 2 - 1) while lining up the slot in the guide bar with the bolt (Fig. 2 - 2) at the base of the saw and the chain tensioning pin (Fig. 2 - 3) in the guide bar's pin hole. The chain tensioning pin may need adjustment to properly align with the hole in the guide bar. Use the chain tensioning wheel (Fig. 2 - 4) to adjust its location until it fits in the guide bar.
5. Turn the chain tensioning wheel to preliminarily tighten the guide bar enough that it stays in place. While holding the bar still, place the cover back onto the saw. Make sure the tab on the left end of the cover goes into the slot on the body of the saw (Fig. 3 - 1). Lock the cover in place with the cover locking knob by turning it clockwise until it engages. Adjust tension (next section).

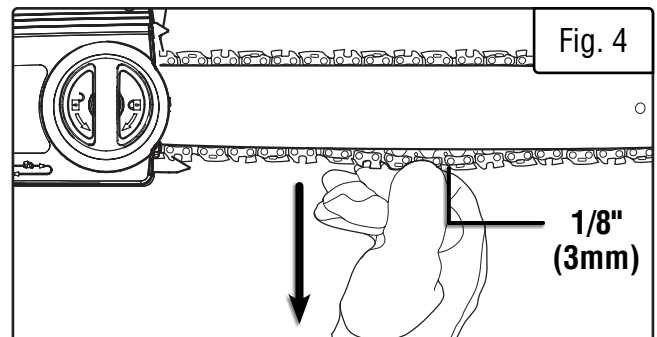


ASSEMBLY & ADJUSTMENTS

TENSIONING THE CHAIN

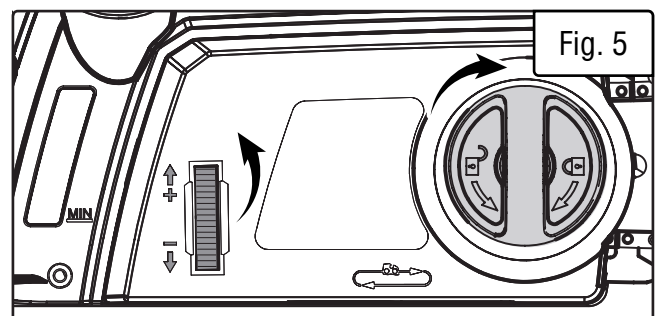
NOTE: The saw chain must be tensioned properly in order to ensure safe operation. The chain tension is optimal if the saw chain can be lifted 1/8 inch (3 mm) from the center of the guide bar. Since the saw chain heats up during operation, its length can therefore fluctuate. Check the chain tension every 10 minutes of operation and adjust as necessary, particularly for new saw chains. Slacken the saw chain after the work is completed since it shortens when cooling down. In doing so, you can elongate the chain's life and prevent damage.

1. Check the chain tension by pulling the saw chain away from the guide bar. A properly tensioned chain should have roughly 1/8 inch (3 mm) of distance between itself and the bar guide (Fig. 4).



2. If adjustments are needed, loosen the cover locking knob one full turn.

3. To adjust the saw chain tension, rotate the chain tensioning wheel (Fig. 5). Rotating the wheel upwards increases the tension; rotating it downwards decreases tension. A properly tensioned chain should have no sag (Fig. 6) and should only be able to be pulled 1/8 inch (3 mm) away from the guide bar of the saw.



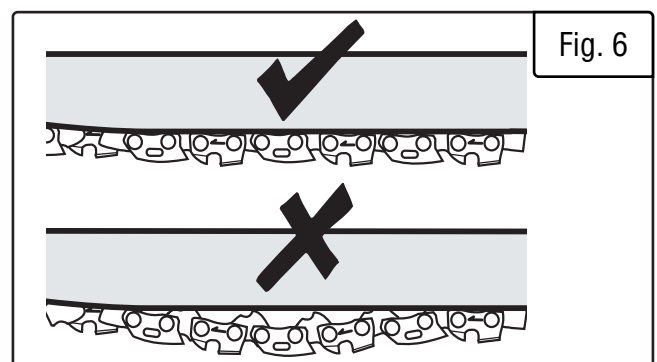
4. Once the chain is properly tensioned, tighten the cover locking knob. Do not over-tension the chain: this will lead to excessive wear and reduces the life of both the bar and chain.

REPLACING THE CHAIN

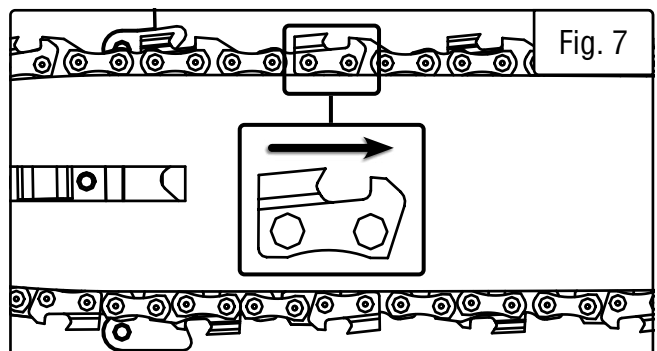
1. Rotate the cover locking knob and remove the cover of the saw's body (see "Installing the Guide Bar and Chain" for more details).

⚠ WARNING! When handling saw chains, always wear protective gloves.

2. Lift the worn saw chain out of the fitted slot in the guide bar.



3. Place the new chain in this position, making sure the teeth are facing the correct direction (Fig. 7) and that the edge of the chain fits into the slot around the guide bar.



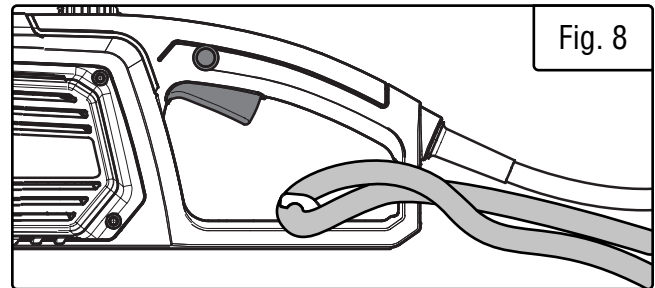
4. Replace the cover. Adjust tension before operating.

ASSEMBLY & ADJUSTMENTS

USING THE CABLE STRAIN RELIEF NOTCH

The notch underneath the trigger switch helps to wrangle an extension cord to ensure that the saw does not become unplugged during operation (Fig. 8). To use this notch:

1. Double the extension cord and loop it around the notch.
2. Gently pull on the cord to make sure that it is secure.
3. Plug the end of the chain saw's power cord into the end of the extension cord.



OPERATION

⚠ WARNING! It is recommended that first-time chainsaw users should practice cutting logs on a saw-horse or cradle.

PREPARATION

Before each use, check the following items to ensure safe operation.

CHAINSAW: Before beginning work, inspect the chainsaw for damage to the housing, the saw chain and the guide bar. Never use an obviously damaged machine.

CHAIN OIL: Check the fill level of the oil tank. Also check whether there is sufficient oil available while working. In order to prevent damage to the chainsaw, never operate the saw if there is no oil, or if the oil level has dropped below the minimum oil level mark. On average, one tank of oil is sufficient for approximately 10 minutes of cutting operation (depending on the duration of pauses, chain sharpness, wood species, etc.).

SAW CHAIN: Check the tension of the chain and the condition of the cutting links. The sharper the saw chain is, the easier and more manageable operations will be. The same applies to chain tension. Check the tension every 10 minutes of operation to maximize safety. New saw chains in particular are subject to changes due to the heat created by operation. Never allow the saw chain to contact dirt or soil.

PROTECTIVE CLOTHING: Make absolutely sure to wear the appropriate close-fitting protective clothing such as protective pants, gloves and safety shoes. Wear a safety helmet with integrated hearing protection and a face guard to provide protection against falling and recoiling branches.

SAFETY WARNINGS

1. In order to maximize safety, do not operate the saw above shoulder height; pole saws are more suitable for that type of work. Your friends at WEN Products offer several pole saw models, available for purchase at wenproducts.com.
2. Never stand below a branch that is being sawed.
3. Exercise caution when sawing branches under tension or branches that are splintering.
4. Make sure to safeguard against the risk of injury from falling branches and flying wood projectiles.
5. If the machine is operating, keep people and animals away from the area.
6. The machine is not protected against electric shock when coming into contact with high-voltage lines. Maintain a minimum clearance of 30 feet from current-carrying power lines to avoid life-threatening electric shock.
7. When working on an incline, always stand above or to the side of the branch being sawed.
8. Allow the chain to cut for you. Keep the saw running at full speed for the entire duration of the cut.

OPERATION

PREVENTING KICKBACK

The term kickback refers to when the saw suddenly jumps up and back. This is usually caused by the workpiece coming into contact with the guide bar tip or the clamping of the saw chain.

A kickback generates an abrupt powerful force. The saw usually reacts in an uncontrolled manner, creating the possibility of injury to the user.

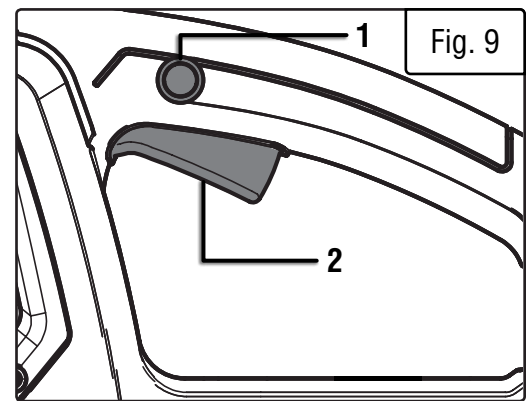
The danger of a kickback is greatest when attempting to cut near or with the guide bar tip. Always apply the saw as flatly as possible in order to avoid a loss of control during operation.

⚠ WARNING! Do not cut down trees in high wind conditions. This can result in injury and should only be performed by a trained professional.

ON/OFF SWITCH (FIG. 9)

To turn the tool ON: Press the safety button (Fig. 9 - 1) and then squeeze the trigger (Fig. 9 - 2). After the tool has started, you can release the safety switch without turning the tool off.

To turn the tool OFF: Release the trigger switch (Fig. 9 - 2).



OPERATION

FELLING A TREE

When bucking and felling operations are being performed by two or more people at the same time, the felling operations should be separated from the bucking operation by a distance of at least twice the height of the tree being felled. Trees should not be felled in a manner that would endanger any person, strike any utility line or cause any property damage. If the tree does make contact with any utility line, the company should be notified immediately.

The chain saw operator should keep on the uphill side of the terrain as the tree is likely to roll or slide downhill after it is felled.

An escape path should be planned and cleared as necessary before cuts are started. The escape path should extend back and diagonally to the rear of the expected line of fall (Fig. 10).

Before felling is started, consider the natural lean of the tree, the location of larger branches and the wind direction to judge which way the tree will fall. Remove dirt, stones, loose bark, nails, staples and wire from the tree.

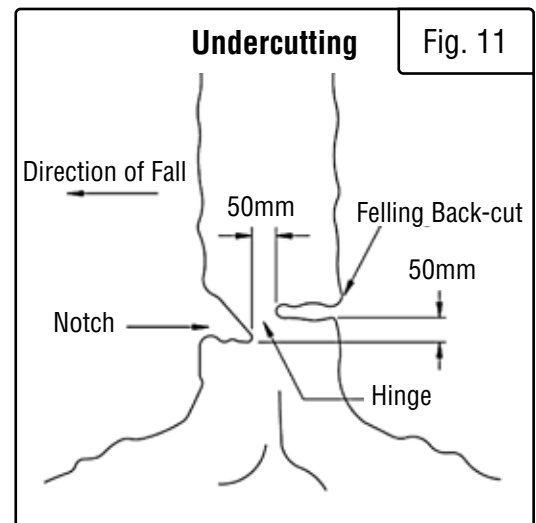
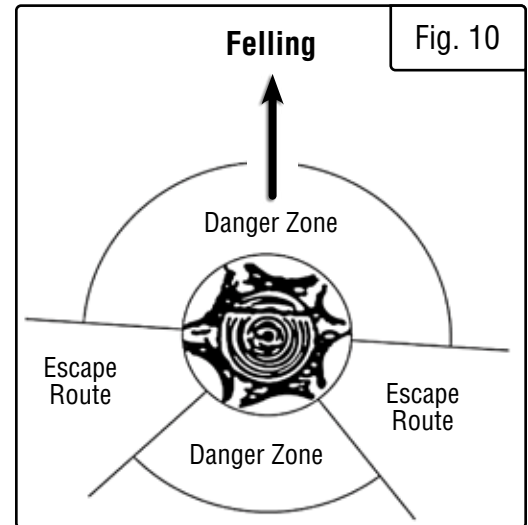
Make the notch 1/3 the diameter of the tree, perpendicular to the direction of fall (Fig. 11). Make the lower horizontal notching cut first. This will help to avoid pinching either the saw chain or the guide bar when the second notch is being made.

FELLING BACK A CUT

Make the felling back cut at least 50mm higher than the horizontal notching cut (Fig. 11). Keep the felling back cut parallel to the horizontal notching cut. Make the felling back cut so enough wood is left to act as a hinge. The hinge wood keeps the tree from twisting and falling in the wrong direction. Do not cut through the hinge.

As the felling gets close to the hinge, the tree should begin to fall. If there is any chance that the tree may not fall in desired direction or it may rock back and bind the saw chain, stop cutting before the felling back cut is complete and use wedges of wood, plastic or aluminum to open the cut and drop the tree along the desired line of fall.

When the tree begins to fall remove the chainsaw from the cut, stop the motor, put the chain saw down, then use the retreat path planned. Be alert for overhead limbs falling and watch your footing.



OPERATION

BUCKING A LOG

Bucking is cutting a log into lengths. It is important to make sure your footing is firm and your weight is evenly distributed on both feet. When possible, the log should be raised and supported by the use of limbs, logs or chocks. Follow these simple directions for easy cutting.

When the log is supported along its entire length (Fig. 12), it is cut from the top (overbuck).

When the log is supported on one end (Fig. 13), cut 1/3 the diameter from the underside (underbuck). Then make the finished cut by overbucking to meet the first cut.

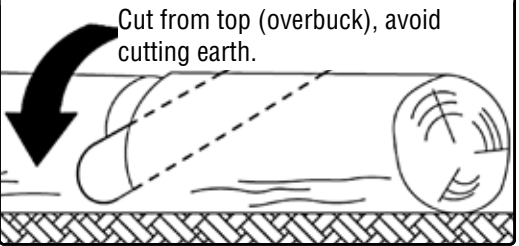
When the log is supported on both ends (Fig. 14), cut 1/3 the diameter from the top (overbuck). Then make the finished cut by underbucking the lower 2/3 to meet the first cut.

When bucking on a slope always stand on the uphill side of the log (Fig. 15). When cutting through, to maintain complete control, release the cutting pressure near the end of the cut without relaxing your grip on the chain saw handles. Don't let the chain contact the ground. After completing the cut, wait for the saw chain to stop before you move the chain saw. Always stop the motor before moving from tree to tree.

NOTE: Never allow the saw chain to contact dirt or soil, doing so will severely dull the cutting links and shorten the life of the chain.

Support Log Along the Entire Length

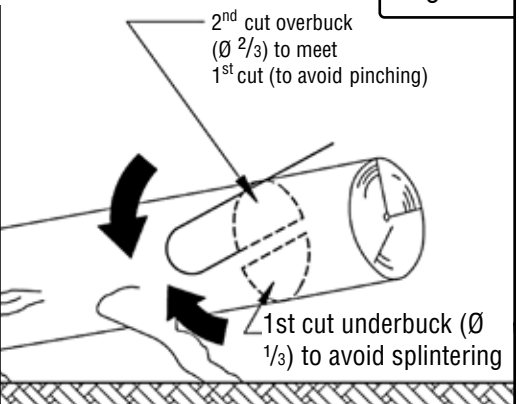
Fig. 12



Cut from top (overbuck), avoid cutting earth.

Support Log on One End

Fig. 13

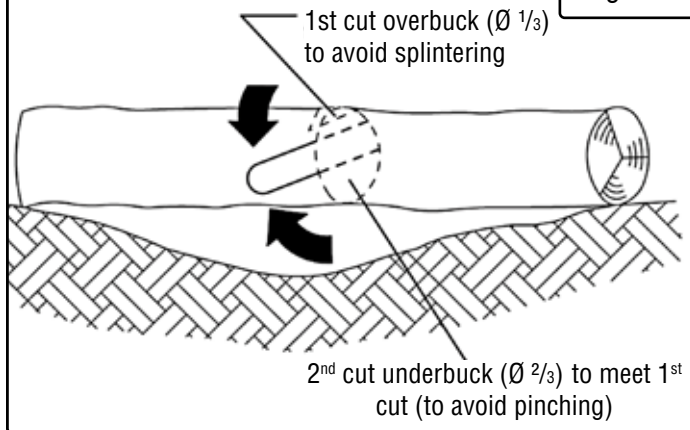


2nd cut overbuck (\emptyset 2/3) to meet 1st cut (to avoid pinching)

1st cut underbuck (\emptyset 1/3) to avoid splintering

Log Supported on Both Ends

Fig. 14

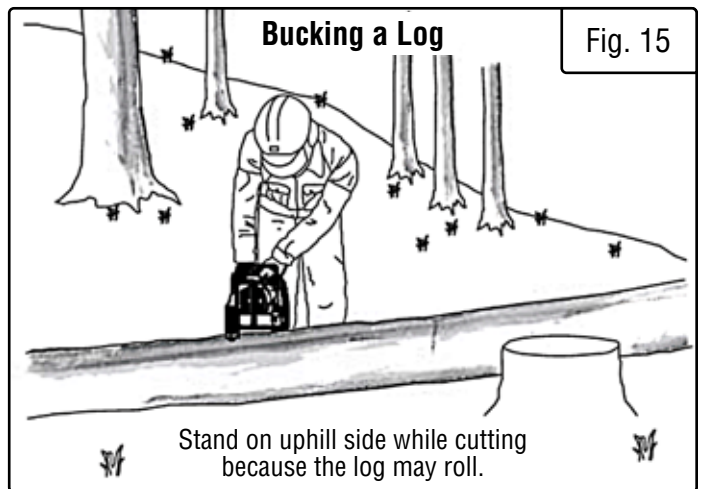


1st cut overbuck (\emptyset 1/3) to avoid splintering

2nd cut underbuck (\emptyset 2/3) to meet 1st cut (to avoid pinching)

Bucking a Log

Fig. 15



Stand on uphill side while cutting because the log may roll.

OPERATION

LIMBING A TREE

Limbing is removing the branches from a fallen tree. When limbing leave larger lower limbs to support the log off the ground. Remove the small limbs in one cut (Fig. 16). Branches under tension should be cut from the bottom up to avoid binding the chain saw.

SAWING TECHNIQUES

Saw off the lower branches on the tree first. By doing so, it is easier for the cut branches to fall to the ground.

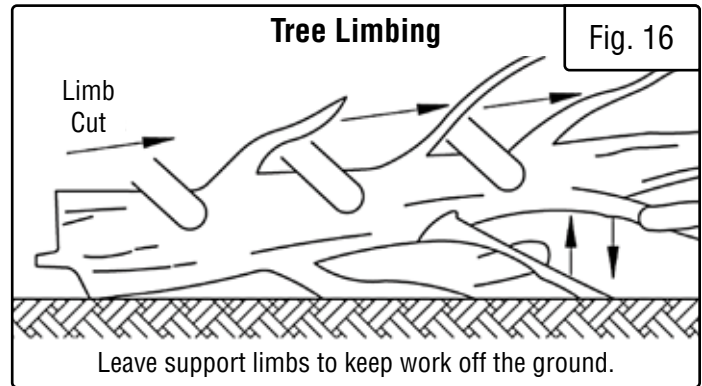
At the end of the cut, the weight of the saw suddenly increases for the user since it is no longer being supported by a branch. There is a risk of losing control of the saw, so make sure to stay alert during the entire sawing operation.

Only pull the saw out of a cut while the saw is running. By doing so, you prevent the chain from jamming in the wood.

Do not saw with the tip of the guide bar. Do not saw into the branch formations (where the tree branches outwards). This will impede the tree's ability to heal.


For sawing off smaller branches, place the stop face of the saw on the branch. This prevents unwanted movements of the saw at the beginning of the cut. While applying light pressure, guide the saw through the branch from top to bottom.

For sawing off larger branches, first make a relief cut. Saw through 1/3 of the branch diameter from the bottom to top using the top side of the guide bar. Then saw from top to bottom for the other 2/3 using the bottom side of the guide bar. Saw off longer branches in sections in order to maintain control over the location of impact.



MAINTENANCE

 **WARNING!** In order to avoid personal injury and the risk of fire and electric shock, unplug the tool before adjusting, inspecting, or cleaning the chainsaw.

 **WARNING!** Any attempt to repair or replace electrical parts on this tool may be hazardous. Servicing of the tool must be performed by a qualified technician. When servicing, use only identical WEN replacement parts. Use of other parts may be hazardous or induce product failure.

CLEANING & STORAGE

1. Brush or blow dust and debris out of the air vents using compressed air or a vacuum. Keep the air vents free of obstructions, sawdust, and wood chips. Do not spray, wash, or immerse the air vents in water.
2. Wipe off the housing and the plastic components using a moist, soft cloth. Do not use strong solvents or detergents on the plastic housing or plastic components. Certain household cleaners may cause damage, and may cause a shock hazard.
3. Routinely clean out the dust and debris that gathers under the tension housing, the oil outlet, and around the bar and the chain sprocket. Otherwise it can jam up the sprocket, the chain, and the lubrication system.
4. Remove tension from the saw chain and drain the oil tank before storing the saw.

STORAGE

Examine the chainsaw thoroughly for worn, loose or damaged parts. If you need assistance, contact WEN customer service at **1-800-232-1195**.

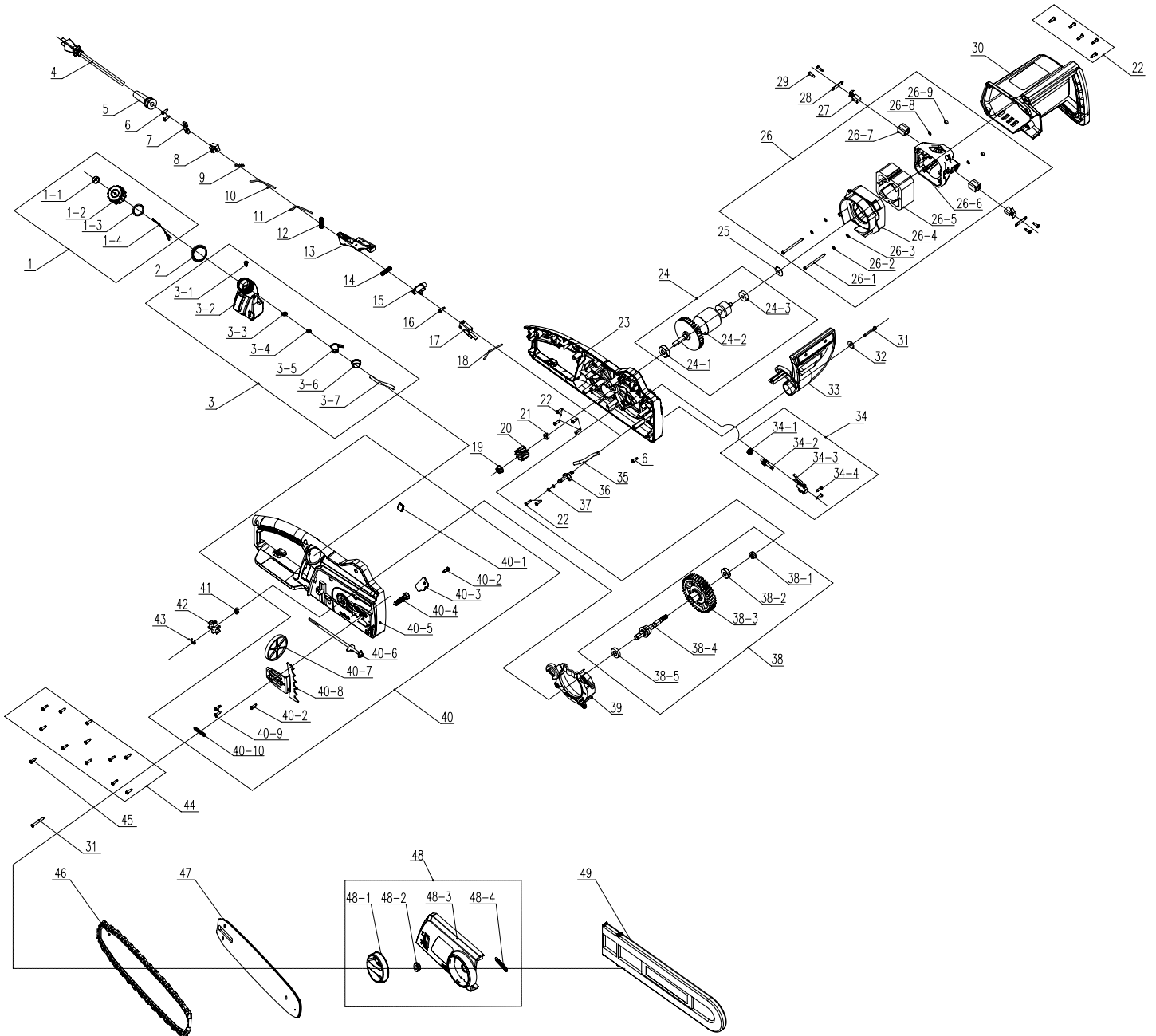
Store your chainsaw in a cool, dry place – do not store the saw where temperatures may exceed 104°F, such as in direct sunlight or inside a vehicle or metal building during the summer. Remove tension from the saw chain and drain the oil tank before storing the saw.

TROUBLESHOOTING GUIDE

⚠ WARNING! Stop using the tool immediately if any of the following problems occur. Repairs and replacements should only be performed by an authorized technician. For any questions, please contact our customer service at **1-(800) 232-1195**, M-F 8-5 CST or email us at **techsupport@wenproducts.com**.

PROBLEM	CAUSE	SOLUTION
Saw does not turn on.	1. Saw is not plugged in.	1. Plug saw in.
	2. Extension cord is loose.	2. Make sure extension cord is secure.
	3. Extension cord is undersized.	3. Use the proper size of extension cord. See chart on p. 8.
	4. Safety button is not pushed.	4. Push the safety button before pulling the trigger.
	5. Defective outlet.	5. Try a different outlet.
	6. Defective motor or switch.	6. Contact WEN customer service.
Bar or chain overheating.	1. Chain is too tight.	1. Adjust chain tension properly (see p. 11).
	2. Oil level is low.	2. Add more bar and chain oil.
	3. Forcing the cut.	3. Let the saw do the work.
	4. Chain is dull.	4. Sharpen or replace the chain.
Loose chain.	1. Chain has overheated.	1. Allow chain to cool down.
	2. Chain tension set incorrectly.	2. Adjust chain tension properly (see p. 11).
	3. Chain is installed backwards.	3. Install chain properly (see p. 10).
	4. Guide bar is worn out.	4. Replace guide bar.
	5. Tension mechanism is broken.	5. Contact WEN customer service.
Poor cut quality.	1. Chain tension set incorrectly.	1. Adjust chain tension properly (see p. 11).
	2. Chain is installed backwards.	2. Install chain properly (see p. 10).
	3. Forcing the cut.	3. Let the saw do the work.
	4. Chain is dull.	4. Sharpen or replace the chain.
	5. Chain is worn out.	5. Replace chain.
	6. Guide bar is worn out.	6. Replace guide bar.
Saw runs but does not cut.	1. Chain is installed backwards.	1. Install chain properly (see p. 10).
Chainsaw speaks to you.	1. Hallucination.	1. Contact a medical professional.
	2. Chainsaw has become self-aware.	2. Good luck with that.

EXPLODED VIEW & PARTS LIST



NOTE: Not all parts may be available for purchase. Parts and accessories that wear down over the course of normal use are not covered under the warranty.

EXPLODED VIEW & PARTS LIST

No.	Part No.	Description	Qty.
1	4017-001	Oil Tank Cap Assembly	1
1-1	4017-002	Cap Cover	1
1-2	4017-003	Oil Tank Cap	1
1-3	4017-004	Seal Ring	1
1-4	4017-005	Hanger	1
2	4017-006	The Oil Tank Opening Sealing Ring	1
3	4017-007	Oil Tank Assembly	1
3-1	4017-008	Valve	1
3-2	4017-009	Oil Tank	1
3-3	4017-010	Oil Box Joint Core Plug	1
3-4	4017-011	Sponge	1
3-5	4017-012	Oil Tank Delivery Connection	1
3-6	4017-013	Oil Tank Joint Rubber Sleeve	1
3-7	4017-014	Transparent Oil Hosing	1
4	4017-015	Power Line	1
5	4017-016	Cable Sheath	1
6	4017-017	Power Cable Screws	2
7	4017-018	Cable Clamp	1
8	4017-019	Connector	2
9	4017-020	Copper Strip	1
10	4017-021	Connecting Wire	1
11	4017-022	Connecting Wire	1
12	4017-023	Switch Spring	1
13	4017-024	Switch Button	1
14	4017-025	Anti Lock Button Spring	1
15	4017-026	Lock Button	1
16	4017-027	Plug Screw	1
17	4017-028	Microswitch	1
18	4017-029	Connecting Wire	1
19	4017-030	Hexagon Nut With Flange	1
20	4017-031	Motor Gear	1
21	4017-032	Motor Gear Bushing	1
22	4017-033	Motor Plate Screws	11
23	4017-034	Left Housing	1
24	4017-035	Rotor Subassembly	1
24-1	4017-036	Bearing	1

No.	Part No.	Description	Qty.
26-9	4017-048	Hexagon Nut	2
27	4017-049	Brush	2
28	4017-050	Brush Cover	2
29	4017-051	Brush Cover Screws	4
30	4017-052	Motor Housing	1
31	4017-053	Front Handle Screw	2
32	4017-054	Front Handle Washer	1
33	4017-055	Front Handle	1
34	4017-056	Oil Pump Subassembly	1
34-1	4017-057	Worm Gear End	1
34-2	4017-058	Worm Gear	1
34-3	4017-059	Oil Pump	1
34-4	4017-060	Oil Pump Screws	1
35	4017-061	Transparent Oil Hosing	1
36	4017-062	Oil Nozzle	1
37	4017-063	Oring	2
38	4017-064	Output Shaft Subassembly	1
38-1	4017-065	Hex Lock Nut	1
38-2	4017-066	608Z Bearing	1
38-3	4017-067	Output Shaft Gear	1
38-4	4017-068	Output Shaft	1
38-5	4017-069	6900 Bearing	1
39	4017-070	Dust Shield	1
40	4017-071	Right Housing Sub Assembly	1
40-1	4017-072	Right Housing Plug	1
40-2	4017-073	Bumper Screws	2
40-3	4017-074	Clamp	1
40-4	4017-075	M8 Stud	1
40-5	4017-076	Right Housing	1
40-6	4017-077	Blade Adjustment Assembly	1
40-7	4017-078	Blade Adjustment Wheel	1
40-8	4017-079	Bumper	1
40-9	4017-080	Countersunk Bumper Screws	2
40-10	4017-081	Oil-Out Seal Ring	1
41	4017-082	Tensioning Spring	1

EXPLODED VIEW & PARTS LIST

No.	Part No.	Description	Qty.
42	4017-083	Sprocket	1
43	4017-085	Clip	1
44	4017-086	Main Housing Screws	11
45	4017-087	Recessed Housing Screws	1
46	4017-088B	Chain	1
47	4017-089B	Bar	1

No.	Part No.	Description	Qty.
48	4017-090	Blade Adjustment Cover Assembly	1
48-1	4017-091	Knob	1
48-2	4017-092	Spindle	1
48-3	4017-093	Adjustment Cover	1
48-4	4017-094	End Cap Seal Ring	1
49	4017-095	Blade Cover	1

NOTE: Not all parts may be available for purchase. Parts and accessories that wear down over the course of normal use are not covered under the warranty.

WARRANTY STATEMENT

WEN Products is committed to building tools that are dependable for years. Our warranties are consistent with this commitment and our dedication to quality.

LIMITED WARRANTY OF WEN PRODUCTS FOR HOME USE

GREAT LAKES TECHNOLOGIES, LLC (“Seller”) warrants to the original purchaser only, that all WEN consumer power tools will be free from defects in material or workmanship during personal use for a period of two (2) years from date of purchase or 500 hours of use; whichever comes first. Ninety days for all WEN products if the tool is used for professional or commercial use. Purchaser has 30 days from the date of purchase to report missing or damaged parts.

SELLER’S SOLE OBLIGATION AND YOUR EXCLUSIVE REMEDY under this Limited Warranty and, to the extent permitted by law, any warranty or condition implied by law, shall be the replacement of parts, without charge, which are defective in material or workmanship and which have not been subjected to misuse, alteration, careless handling, misrepair, abuse, neglect, normal wear and tear, improper maintenance, or other conditions adversely affecting the Product or the component of the Product, whether by accident or intentionally, by persons other than Seller. To make a claim under this Limited Warranty, you must make sure to keep a copy of your proof of purchase that clearly defines the Date of Purchase (month and year) and the Place of Purchase. Place of Purchase must be a direct vendor of Great Lakes Technologies, LLC. Purchasing through third party vendors, including but not limited to garage sales, pawn shops, resale shops, or any other secondhand merchant, voids the warranty included with this product. Contact techsupport@wenproducts.com or 1-800-232-1195 with the following information to make arrangements: your shipping address, phone number, serial number, required part numbers, and proof of purchase. Damaged or defective parts and products may need to be sent to WEN before the replacements can be shipped out.

Upon the confirmation of a WEN representative, your product may qualify for repairs and service work. When returning a product for warranty service, the shipping charges must be prepaid by the purchaser. The product must be shipped in its original container (or an equivalent), properly packed to withstand the hazards of shipment. The product must be fully insured with a copy of the proof of purchase enclosed. There must also be a description of the problem in order to help our repairs department diagnose and fix the issue. Repairs will be made and the product will be returned and shipped back to the purchaser at no charge for addresses within the contiguous United States.

THIS LIMITED WARRANTY DOES NOT APPLY TO ITEMS THAT WEAR OUT FROM REGULAR USAGE OVER TIME, INCLUDING BELTS, BRUSHES, BLADES, BATTERIES, ETC. ANY IMPLIED WARRANTIES SHALL BE LIMITED IN DURATION TO TWO (2) YEARS FROM DATE OF PURCHASE. SOME STATES IN THE U.S. AND SOME CANADIAN PROVINCES DO NOT ALLOW LIMITATIONS ON HOW LONG AN IMPLIED WARRANTY LASTS, SO THE ABOVE LIMITATION MAY NOT APPLY TO YOU.

IN NO EVENT SHALL SELLER BE LIABLE FOR ANY INCIDENTAL OR CONSEQUENTIAL DAMAGES (INCLUDING BUT NOT LIMITED TO LIABILITY FOR LOSS OF PROFITS) ARISING FROM THE SALE OR USE OF THIS PRODUCT. SOME STATES IN THE U.S. AND SOME CANADIAN PROVINCES DO NOT ALLOW THE EXCLUSION OR LIMITATION OF INCIDENTAL OR CONSEQUENTIAL DAMAGES, SO THE ABOVE LIMITATION OR EXCLUSION MAY NOT APPLY TO YOU.

THIS LIMITED WARRANTY GIVES YOU SPECIFIC LEGAL RIGHTS, AND YOU MAY ALSO HAVE OTHER RIGHTS WHICH VARY FROM STATE TO STATE IN THE U.S., PROVINCE TO PROVINCE IN CANADA AND FROM COUNTRY TO COUNTRY.

THIS LIMITED WARRANTY APPLIES ONLY TO ITEMS SOLD WITHIN THE UNITED STATES OF AMERICA, CANADA AND THE COMMONWEALTH OF PUERTO RICO. FOR WARRANTY COVERAGE WITHIN OTHER COUNTRIES, CONTACT THE WEN CUSTOMER SUPPORT LINE. FOR WARRANTY PARTS OR PRODUCTS REPAIRED UNDER WARRANTY SHIPPING TO ADDRESSES OUTSIDE OF THE CONTIGUOUS UNITED STATES, ADDITIONAL SHIPPING CHARGES MAY APPLY.

**THANKS FOR
REMEMBERING**

