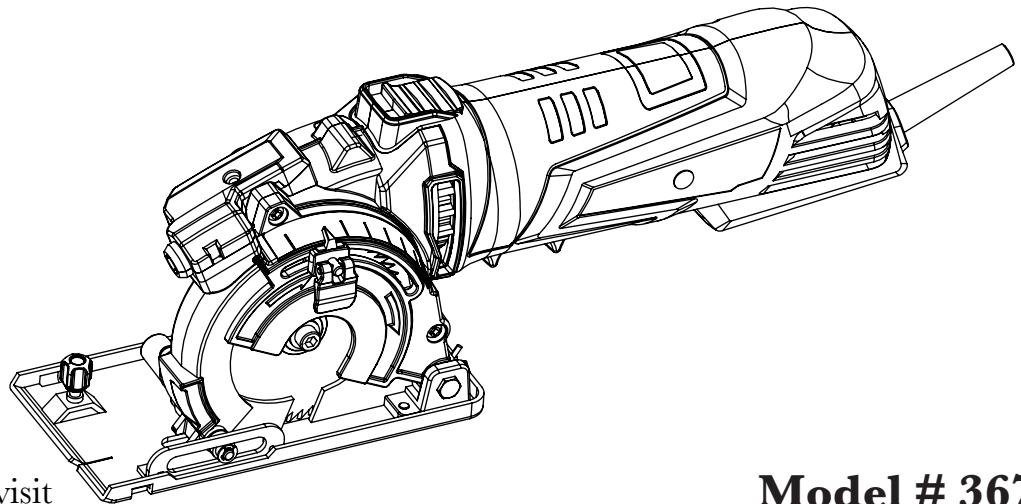




# 3-3/8" COMPACT CIRCULAR SAW



Intertek  
3087464

For replacement parts visit  
**WENPRODUCTS.COM**

**Model # 36704**  
bit.ly/wenvideo


## IMPORTANT:

Your new tool has been engineered and manufactured to WEN's highest standards for dependability, ease of operation, and operator safety. When properly cared for, this product will supply you years of rugged, trouble-free performance. Pay close attention to the rules for safe operation, warnings, and cautions. If you use your tool properly and for its intended purpose, you will enjoy years of safe, reliable service.



## NEED HELP? CONTACT US!

Have product questions? Need technical support?  
Please feel free to contact us at:

 **800-232-1195** (M-F 8AM-5PM CST)

 **techsupport@wenproducts.com**

 **WENPRODUCTS.COM**

**NOTICE: Please refer to [wenproducts.com](http://wenproducts.com) for the most up-to-date instruction manual.**

## TABLE OF CONTENTS

---

Technical Data .....	2
Safety Introduction .....	3
General Safety Rules .....	4
Rules for the Compact Circular Saw.....	6
Electrical Information .....	8
Know Your Compact Circular Saw.....	9
Assembly & Adjustments .....	10
Operation.....	13
Maintenance.....	14
Troubleshooting Guide .....	15
Exploded View and Parts List .....	16
Warranty Statement .....	18

## TECHNICAL DATA

---

Model Number:	36704
Motor:	AC 120V, 60Hz, 4.2A
No-Load Speed:	4500 RPM
Maximum Cutting Depth:	1 in. (25 mm)
Blade Size:	3-3/8 in. (85 mm)
Arbor Size:	19/32 in. (15 mm)
Blade Body Thickness:	1 mm
Blade Teeth Thickness:	1.6 to 1.8 mm
Laser Specifications	Class II Laser, EN 60825-1:2014 Maximum Power < 1mW, Wavelength 650nm
Battery Type:	AG13
Dust Tube Outer Diameter:	1 to 1-1/2 in.
Base Plate Dimensions:	6-1/4 x 3 in.
Assembled Dimensions:	13-3/4 x 3-1/2 x 4-5/8 in.
Product Weight:	4.5 lbs

Replacement wood-cutting blade (Model B8515W), soft metal-cutting blade (Model B8515M), and tile-cutting blade (Model B8515T) can be ordered at [wenproducts.com](http://wenproducts.com).

## SAFETY INTRODUCTION

---

Thanks for purchasing the WEN Compact Circular Saw. We know you are excited to start sawing through your workpiece, but first, please take a moment to read through the manual. This manual provides information regarding potential safety concerns, as well as helpful assembly and operating instructions. Safe operation of this tool requires that you read and understand this operator's manual and all labels affixed to the tool. Safety is a combination of common sense, staying alert, and knowing how your tool works.



**SAFETY ALERT SYMBOL:** Indicates danger, warning, or caution. The safety symbols and the explanations with them deserve your careful attention and understanding. Always follow the safety precautions to reduce the risk of fire, electric shock and personal injury. However, please note that these instructions and warnings are not substitutes for proper accident prevention measures.

**WARNING:** Do not attempt to operate this tool until you have thoroughly read and understood all instructions, safety rules, etc., contained in this manual. Please keep this manual available to all users during the entire life of the tool. Review it frequently to maximize safety for both yourself and others.

**NOTE:** The following safety information is not meant to cover all possible conditions and situations that may occur. WEN reserves the right to change this product and specifications at any time without prior notice.

# GENERAL SAFETY RULES

---

Safety is a combination of common sense, staying alert and knowing how your item works.

## **SAVE THESE SAFETY INSTRUCTIONS.**



**WARNING!** Read all safety warnings and all instructions. Failure to follow the warnings and instructions may result in electric shock, fire and serious injury. To avoid mistakes and serious injury, do not plug in your tool until the following steps have been read and understood.

### **WORK AREA SAFETY**

1. Keep work area clean and well lit. Cluttered or dark areas invite accidents. Do not work on floor surfaces that are slippery with sawdust or wax. Keep the ground clear of tripping hazard.
2. Do not operate power tools in explosive atmospheres, such as in the presence of flammable liquids, gases or dust. Power tools create sparks which may ignite the dust or fumes.
3. Keep bystanders at a safe distance from the work area. Never allow children or pets near the tool.

### **ELECTRICAL SAFETY**

1. Do not expose power tools to rain or wet conditions. Water entering a power tool will increase the risk of electric shock. Do not touch the power plug with wet hands.
2. Power tool plugs must match the outlet. Never modify the plug in any way. Modified plugs with non-matching outlets will increase the risk of electric shock.
3. Check all power supplies periodically. Do not use defective cords. Damaged or entangled cords increase the risk of electric shock.
4. Do not abuse the cord. Never use the cord for carrying, pulling or unplugging the power tool. Keep cord away from heat, oil, sharp edges or moving parts.

### **PERSONAL SAFETY**

1. Stay alert. Watch what you are doing and use common sense when operating a power tool. Do not use a power tool while you are tired or under the influence of drugs, alcohol or medication. A moment of inattention while operating power tools may result in serious personal injury.
2. Do not wear loose clothing, gloves, neckties, or jewelry (rings, watches, etc.) when operating the tool. Inappropriate clothing and items can get caught in moving parts and draw you in. Always wear non-slip footwear and tie back long hair.
3. Use personal protective equipment. Always wear safety goggles at all times that comply with ANSI Z87.1. Use ear protection such as plugs or muffs during extended periods of operation. Wear work gloves to protect your hands. Wear a face mask or dust mask to fight the dust.
4. Do not overreach. Keep proper footing and balance at all times when operating the power tool.



**WARNING:** Dust generated from certain materials can be hazardous to your health. Always operate the tool in a well-ventilated area and wear a dust mask. Use dust collection systems when processing wood and plastics. Dust extractors or dust bags must not be connected when processing metals.

# GENERAL SAFETY RULES

---

## **POWER TOOL USE AND CARE**

1. Avoid accidental start-ups. Make sure the power switch is in the OFF position before connecting the plug to a power source or carrying the tool.
2. Check power tool for damaged parts. Check for misalignment of moving parts, jamming, breakage, improper mounting, or any other conditions that may affect the tool's operation. Do not use the power tool if the switch does not turn ON/OFF. Any part that is damaged should be properly repaired or replaced before use.
3. Do not force the tool to do a job for which it was not designed. Always use the correct tool/accessory for the job and follow instructions to prevent a hazardous situation.
4. Never stand on the tool. Serious injury could occur if the tool is tipped over or if parts of the tool are unintentionally contacted.
5. Remove adjustment tools. Always make sure all adjustment tools or wrenches are removed from the tool before turning on the power tool.
6. Keep guards in place and in working order before operating the tool. All protection and safety devices must be in place after completing repair and maintenance procedures.
7. Never leave a running tool unattended. Do not leave the tool until it has come to a complete stop.

## **POWER TOOL MAINTENANCE**

1. Always disconnect the power cord plug from the electrical outlet when making adjustments, changing parts, or storing power tools. Such preventive safety measures reduce the risk of starting the power tool accidentally.
2. Maintain power tools properly. Safely store power tools out of the reach of children. Always keep tools clean and in good working order. Follow instructions for lubricating and changing accessories.
3. Use only identical replacement parts. Use of any other part can cause personal injury and damage to the tool. Only have your power tool serviced by a qualified repair person.

## **CALIFORNIA PROPOSITION 65 WARNING**

This product and some dust created by power sanding, sawing, grinding, drilling, and other construction activities may contain chemicals, including lead, known to the State of California to cause cancer, birth defects, or other reproductive harm. Wash hands after handling.

Some examples of these chemicals are:

- Lead from lead-based paints.
- Crystalline silica from bricks, cement, and other masonry products.
- Arsenic and chromium from chemically treated lumber.

Your risk from these exposures varies depending on how often you do this type of work. To reduce your exposure to these chemicals, work in a well-ventilated area with approved safety equipment such as dust masks specially designed to filter out microscopic particles.

## RULES FOR THE COMPACT CIRCULAR SAW



**WARNING:** Do not let comfort or familiarity with the product replace strict adherence to product safety rules. If you use this tool unsafe or incorrectly, you can suffer serious personal injury.

- 1. WORK ENVIRONMENT.** Do not operate the tool in wet or damp conditions; doing so significantly increases the risk of electrical shock. Do not operate the tool in the presence of flammable liquids or gases.
- 2. PERSONAL SAFETY.** Always wear ANSI Z87.1-approved glasses, a dust mask and hearing protection when using the saw. Tie back long hair. Do not wear loose clothing or jewelry as they might get drawn in by the tool.
- 3. PREVENTING ELECTRIC SHOCK.** When working with the tool, make sure to keep the blade away from any power cables, extension cords or wiring. Only hold the tool by insulated gripping surfaces when performing an operation in case the cutter contacts its own cord. Cutting a “live” wire may make exposed metal parts of the tool “live” and could give the operator an electric shock.
- 4. TOOL INSPECTION.** Before operation, check the tool for any damage or missing parts. Do not use the tool if any part is missing or damaged. Do not use the tool if the power switch is faulty, the plug or cable is damaged, or the tool produces sparks, smoke, or unpleasant odors (you may smell brushes wearing down for a few minutes as the tool breaks in during the first use, that is normal). Make sure all adjustments are correct and all connections are tight.
- 5. SECURING THE WORKPIECE.** Use clamps to secure the workpiece whenever possible to prevent wobble, damage to the workpiece, and personal injury. Never hold a piece being cut in your hands or across your legs. It is important to support the work properly to minimize body exposure, blade binding, or loss of control.
- 6. STANDING POSITION.** Keep your body positioned to either side of the saw blade, but not in line with cutting path. Kickback could cause the saw to jump backwards.
- 7. STARTING THE TOOL.** Always start the saw before the blade is in contact with the workpiece. Let the blade reach full speed before using the tool. The reaction to the torque as the motor accelerates to full speed may cause the tool to kick back.
- 8. KEEP HANDS AWAY.** Keep hands away from the cutting area and the blade. Do not reach underneath the workpiece. The blade guard cannot protect you from the blade protruding from the underside of the workpiece. Do not attempt to remove cut material when the blade is moving.
- 9. DURING OPERATION.** Do not apply excessive pressure to the tool. Overstressing the tool may cause kick-back and damage the tool and accessories. Use special care when working corners, sharp edges etc.
- 10. TURNING OFF THE TOOL.** The blade coasts after the saw is turned off. Wait until the blade comes to a full stop before reaching for loose materials or setting the tool down.
- 11. REPLACING THE SAW BLADE.** Check the blade for chipped or broken teeth. Do not use dull or damaged blades. Unsharpened or improperly set blades produce narrow kerf, causing excessive friction, blade binding, and kickback. Always use blades with correct size and arbor holes. Blades that do not match the mounting hardware of the saw will run eccentrically, causing a loss of control.
- 12. MAKING ADJUSTMENTS.** Always turn off and unplug the saw before making adjustments or changing attachments. Accidental start-ups may occur if the saw is plugged in during an accessory change. Develop a periodic maintenance schedule for your tool.

# RULES FOR THE COMPACT CIRCULAR SAW

## **REDUCING KICKBACK**

Kickback is a sudden reaction to a pinched, bound or misaligned saw blade, causing an uncontrolled saw to lift up and out of the work piece toward the operator. When the blade is pinched or bound tightly by the kerf closing down, the blade stalls and the motor reaction drives the unit rapidly back toward the operator. If the blade becomes twisted or misaligned in the cut, the teeth at the back edge of the blade can dig into the top surface of the wood causing the blade to climb out of the kerf and jump back towards the operator. Take the proper precautions below to reduce the risk of kickback.

- Maintain a firm grip on the saw and position your body and arm in a way that allows you to resist kickback forces. Kickback forces can be controlled by the operator, if proper precautions are taken.
- When a blade is binding (or when interrupting a cut for any reason), release the trigger and hold the saw motionless in the material until the blade comes to a complete stop. Never attempt to remove the saw from the work or pull the saw backward while the blade is in motion or kickback may occur.
- When restarting a saw in the workpiece, center the blade in the kerf and check that the teeth are not engaged into the material. If the saw blade is binding, it may walk up or kickback from the work piece as the saw is restarted. Investigate and take corrective actions to eliminate the causes of blade binding.
- Support large workpieces to minimize the risk of blade pinching and kickback. Large panels tend to sag under their own weight. Supports must be placed under the panel on both sides, near the line of the cut and near the edge of the panel.
- Do not use dull or damaged blades. Unsharpened or improperly set blades produce narrow kerf, causing excessive friction, blade binding, and kickback.
- Blade depth and bevel adjusting locking levers must be tight and secure before making a cut. If the blade adjustment shifts while cutting, it will cause binding and kickback.

## **LASER SAFETY**

**ATTENTION: LASER RADIATION. CLASS 2 LASER. DO NOT STARE INTO THE BEAM.**

1. Do not look directly into the laser beam with unprotected eyes. Never look into the path of the beam.
2. Never point the laser beam towards reflecting surfaces. Never point the laser towards people or animals. Even a laser beam with a low output can cause damage to the eyes.
3. Never open the laser module as unexpected exposure to the beam can occur. The laser cannot be replaced with a different type of laser.
4. Repairs of the laser may only be carried out by the laser manufacturer or an authorized representative.

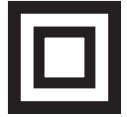
## **BATTERY SAFETY**

1. Do not short-circuit batteries. Keep the batteries away from metal objects when not in use.
2. Do not charge non-rechargeable batteries.
3. Do not mix old and new batteries or batteries of different types. Replace an entire set of batteries at the same time.
4. Do not keep batteries near fire, ovens or other sources of heat. Do not use batteries in direct sunlight.
5. Remove batteries from the equipment when it will not be used for an extended period of time.
6. Never handle batteries that have leaked without appropriate protection. If the leaked fluid comes into contact with your skin, the skin in this area should be rinsed off under running water immediately. Always prevent the fluid from coming into contact with the eyes and mouth. In the event of contact, please seek immediate medical attention.
7. Do not dismantle batteries. Dispose of used batteries properly at your local collection/recycling facility.

# ELECTRICAL INFORMATION

## FOR ALL DOUBLE-INSULATED TOOLS

Double insulation is a concept in safety in electric power tools, where two systems of insulation are provided. This eliminates the need for the usual three-wire grounded power cord. All exposed metal parts are isolated from the internal metal motor components with protecting insulation. Double insulated tools do not need to be grounded.



**WARNING:** The double insulated system is intended to protect the user from electric shock resulting from a break in the tool's internal insulation. Observe all normal safety precautions to avoid electrical shock.

1. **POLARIZED PLUGS.** To reduce the risk of electric shock, this equipment has a polarized plug (one blade is wider than the other). This plug will fit in a polarized outlet only one way. If the plug does not fit fully in the extension cord, reverse the plug. If it still does not fit, use a correct polarized extension cord or contact a qualified electrician to install the proper outlet. **DO NOT** modify the machine plug or the extension cord in any way.

2. **GROUND FAULT CIRCUIT INTERRUPTER (GFCI)** protection should be provided on the circuit or outlet used for this power tool for safety purposes.

3. **SERVICE AND REPAIR.** To avoid danger, electrical appliances must only be repaired by qualified service technician using original replacement parts; otherwise this may result in considerable damage to the user.

**NOTE:** Servicing of a product with double insulation requires extreme care and knowledge of the system and should be performed only by a qualified service technician. For service, we suggest bringing the product to you nearest authorized service center for repair. Always use original factory replacement parts when servicing. Locate the service center nearest you at <http://www.wenproducts.com/store/service-centers>.

## GUIDELINES AND RECOMMENDATIONS FOR EXTENSION CORDS

When using an extension cord, be sure to use one heavy enough to carry the current your product will draw. An undersized cord will cause a drop in line voltage resulting in loss of power and overheating. The table below shows the correct size to be used according to cord length and nameplate ampere rating. When in doubt, use a heavier cord. The smaller the gauge number, the heavier the cord.

AMPERAGE	REQUIRED GAUGE FOR EXTENSION CORDS			
	25 ft.	50 ft.	100 ft.	150 ft.
4.2A	18 gauge	16 gauge	16 gauge	14 gauge

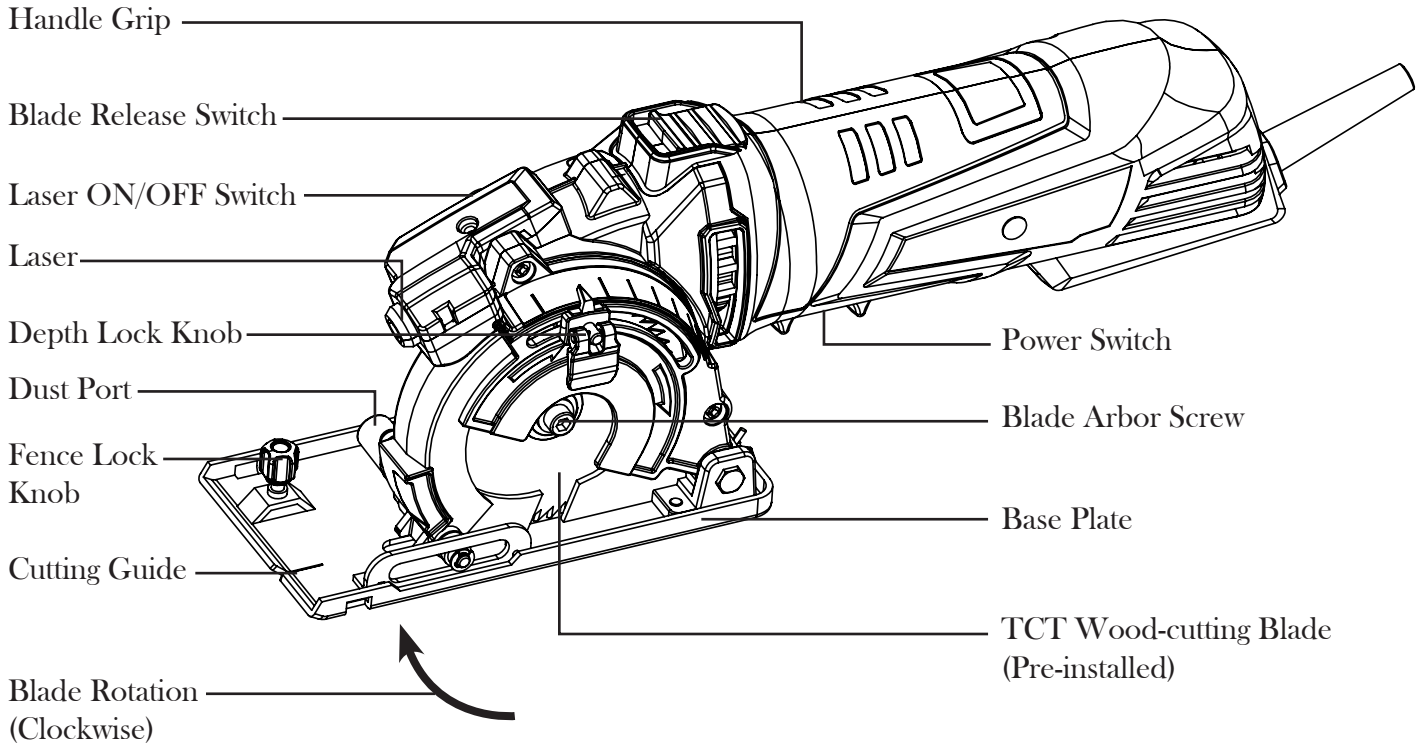
Make sure your extension cord is properly wired and in good condition. Always replace a damaged extension cord or have it repaired by a qualified person before using it. Protect your extension cords from sharp objects, excessive heat and damp/wet areas.

Use a separate electrical circuit for your tools. This circuit must not be less than a #12 wire and should be protected with a 15A time-delayed fuse. Before connecting the motor to the power line, make sure the switch is in the OFF position and the electric current is rated the same as the current stamped on the motor nameplate. Running at a lower voltage will damage the motor.

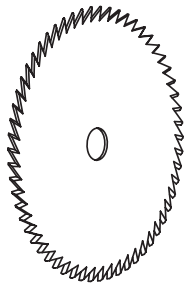


# KNOW YOUR COMPACT CIRCULAR SAW

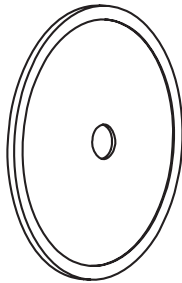
Carefully unpack the tool from the packaging. Check all components and compare against the graph below. If any part is damaged or missing, please contact our customer service at (800) 232-1195, M-F 8-5 CST or email us at [techsupport@wenproducts.com](mailto:techsupport@wenproducts.com).



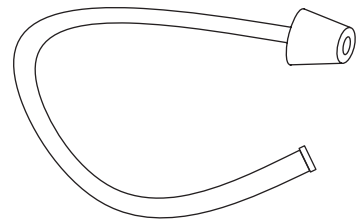
## ACCESSORIES:



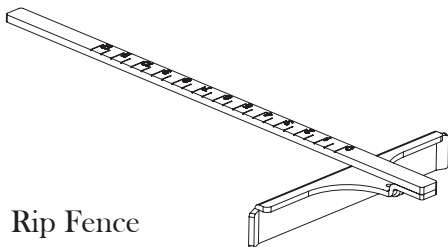
Soft Metal & Plastics  
HSS Blade



Tile-cutting  
Diamond Blade



Dust Extraction Tube



Rip Fence



M6 Hex Wrench

## ASSEMBLY & ADJUSTMENTS



**WARNING:** To avoid injury from accidental startups, be sure that the tool is switched off and disconnected from the power supply before inspecting the unit, making adjustments or changing accessories.

### SELECT THE RIGHT BLADE

Your compact circular saw is a versatile tool that is capable of cutting different materials by using the correct blade. Your tool comes with three blades: a wood-cutting blade (pre-installed), a metal-cutting blade and a tile-cutting blade. Make sure to select the suitable blade type for the material being cut. Follow the next section to replace or install your saw blade.

Blade Model	Blade Type	Suitable Materials
B8515W	TCT Wood-Cutting Blade (30 Teeth)	Soft wood, hard wood and plastics
B8515M	HSS Metal-Cutting Blade (36 Teeth)	Soft metals such as aluminum and copper, and plastics
B8515T	Diamond Tile-Cutting Disc	Tile, ceramics and plastics

### INSTALLING/REPLACING THE SAW BLADE (Fig. 1 & 2)

Use saw blades with 3-3/8 inch (85 mm) diameter and 19/32 inch (15 mm) arbor. Do not use a blade that does not match the diameter or arbor size. The thickness of the included blades are 1 mm on the body and 1.6 to 1.8 mm on the blade teeth. Do not use a blade too thick that will prevent the arbor screw from properly securing the blade. Replacement saw blades (Model B8515W, B8515M and B8515T) can be purchased from [wenproducts.com](http://wenproducts.com).



**WARNING:** Wear safety gloves when handling saw blades to prevent injuries from accidentally contacting the blade tip.

1. Unplug your compact circular saw from the power source.
2. Press down the spindle lock (Fig. 1) to prevent the blade from spinning. With the spindle lock pressed down, use the included M6 hex wrench to loosen the arbor screw by turning it clockwise (Fig. 2).
3. Remove the arbor screw, washer and outer flange.
4. Push the blade release switch (Fig. 3) and swing the base plate upwards. Carefully remove the existing blade.
5. With the base plate swung upwards as in Step 4, slide the new saw blade onto the spindle. Make sure the blade teeth beneath the base plate are pointing forward and the arrows printed on the blade point in the clockwise direction.
6. Replace the outer flange washer. Press the spindle lock (Fig. 1 - 1) and replace the arbor screw and washer. Fully tighten the arbor screw by turning it counterclockwise with the hex wrench.

**NOTE:** The quality of the cut depends on the condition of the saw blade. Never use a dull, rusty, or damaged blade. Before operation, check the condition of the blade and replace if the blade is worn-out or damaged.

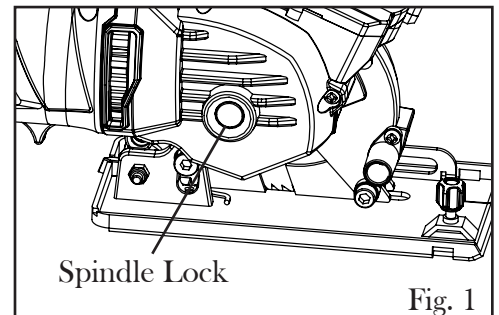


Fig. 1

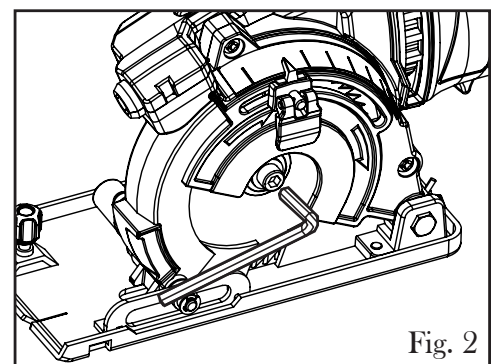


Fig. 2

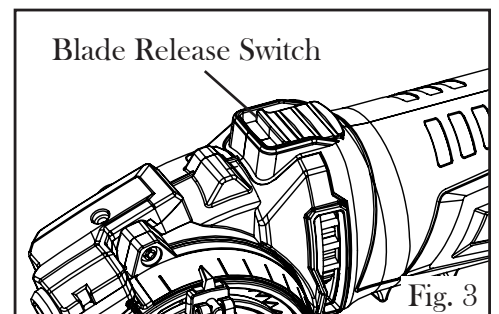


Fig. 3

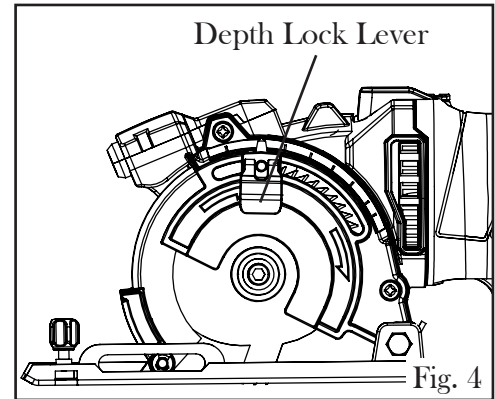
## ASSEMBLY & ADJUSTMENTS

### SETTING THE DEPTH OF CUT (Fig. 1 & 2)

Before making a cut, it is important to set the correct cutting depth. The saw's maximum cutting depth is 1 inch (25 mm). We recommend adjusting the cutting depth about 1/16 inch (2 mm) deeper than the thickness of the material. To adjust the cutting depth, you can either reference the depth scale, or the edge of the workpiece.

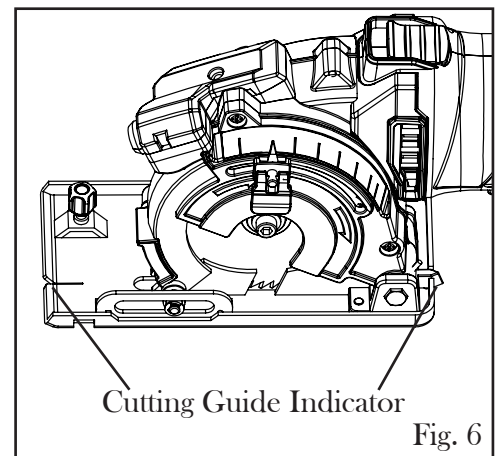
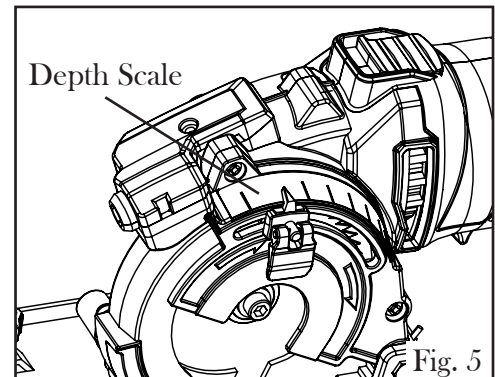
#### Using the Depth Scale:

1. Disconnect your saw from the power source.
2. Flip up the depth lock lever (Fig. 4) to loosen it .
3. Slide the depth lock lever so that the arrow points to your desired cutting depth indicated on the depth scale (Fig. 5).
4. Press down on the depth lock lever to securely lock the depth setting.



#### Using the Edge of the Workpiece:

1. Disconnect your saw from the power source.
2. Flip up the depth lock lever to loosen it and slide the lever to all the way to the right of the slot.
3. Place the base plate onto the workpiece with the saw blade positioned against the left edge of the workpiece.
4. Grip the tool and push the blade release switch forward with your thumb. Lower the blade to your desired cutting depth by observing how deep the blade will cut relative to the top face of the workpiece.
5. Holding the saw in position at a constant depth, slide the depth lock lever to the left until it is flush against the edge of the inner blade guard.
6. Press down on the depth lock lever to securely lock the depth setting.

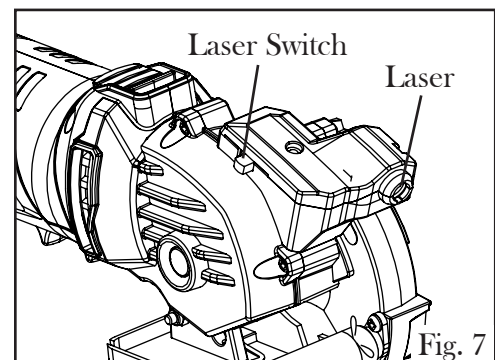


### CUTTING GUIDE INDICATOR (Fig. 6)

The cutting guide indicators can be found at the front and rear of the saw base. This guide helps to indicate where the cut will be occurring. Before cutting, draw a guideline on the workpiece and follow the guideline with the cutting guide to create more accurate cuts.

### USING THE LASER (Fig. 7)

The laser located on the top of your saw can also be used to indicate the line of cut. Remove the laser cover and install the two AG13 batteries. Securely replace the laser cover. Switch the laser ON and align the laser line with your cutting guideline.



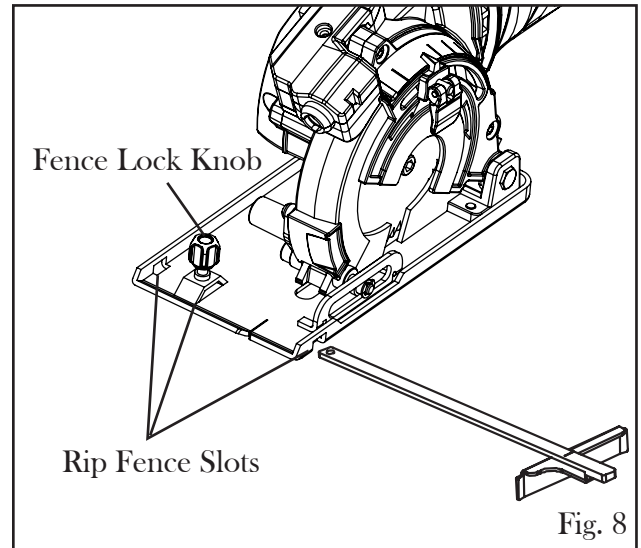
**WARNING:** Do not look directly into the laser beam with unprotected eyes. See page 7 for important rules regarding laser safety.

## ASSEMBLY & ADJUSTMENTS

### INSTALLING THE RIP FENCE

When making a rip cut along a straight edge, it is recommended to clamp a straight edge to the workpiece or use the included rip fence. To install the rip fence onto your saw:

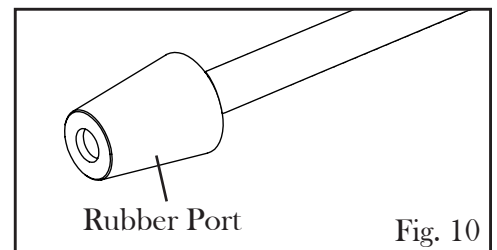
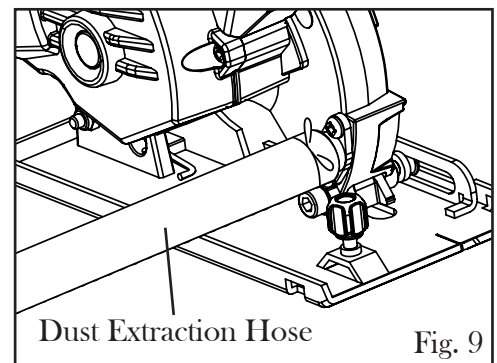
1. Loosen the fence lock knob on the front of the base plate.
2. Insert the rip fence from the left side of the tool through all three slots on the base plate.
3. Adjust the rip fence to the desired width of cut indicated by the cutting guide indicator.
4. Tighten the fence lock knob to secure the rip fence in place.



### CONNECTING THE DUST EXTRACTION HOSE (Fig. 6)

Dust and chips will be produced during operation that can harm your health and create a mess in your work area. It is recommended to extract the sawdust by connecting your tool to a dust extraction system using the included dust extraction hose.

1. Disconnect your saw from the power source.
2. Attach the dust extraction hose to the dust port on the right side of your tool. Secure the connection using the wing lock (Fig. 9).
3. Connect the rubber port end of the hose to a suitable dust extraction system. The outer diameter of the hose rubber port is 1 to 1-1/2 inches.
4. Turn on the dust collector before cutting to keep saw dust away from your lungs and the work area.



### PREPARING FOR OPERATION

1. Prepare the work space and position power cords away from the cutting area. Connect your saw to a dust extraction system (see the previous section).
2. Select and install the correct saw blade for the material to be cut (see page 10). Check to ensure that the saw blade is sharp. Set the correct depth of cut for your workpiece (see page 11).
3. Draw a guideline along the desired path of the cut on the workpiece surface.
4. Place the workpiece with the “good” side down (the saw blade cuts upward through the material, and may “blow out” the top side) on a flat supporting surface. Secure the workpiece in place with clamps or vises. To prevent cutting into the support surface, place sufficient scrap material under the workpiece.
5. Wear safety glasses, a dust mask and hearing protection. Do not wear loose clothing or jewelry, and tie back long hair to avoid getting anything caught in the tool.

## OPERATION



**WARNING:** To prevent serious injury, make sure all the instructions have been read and understood before operating this tool. Check that the power switch mechanism works properly before plugging the tool into the power supply.

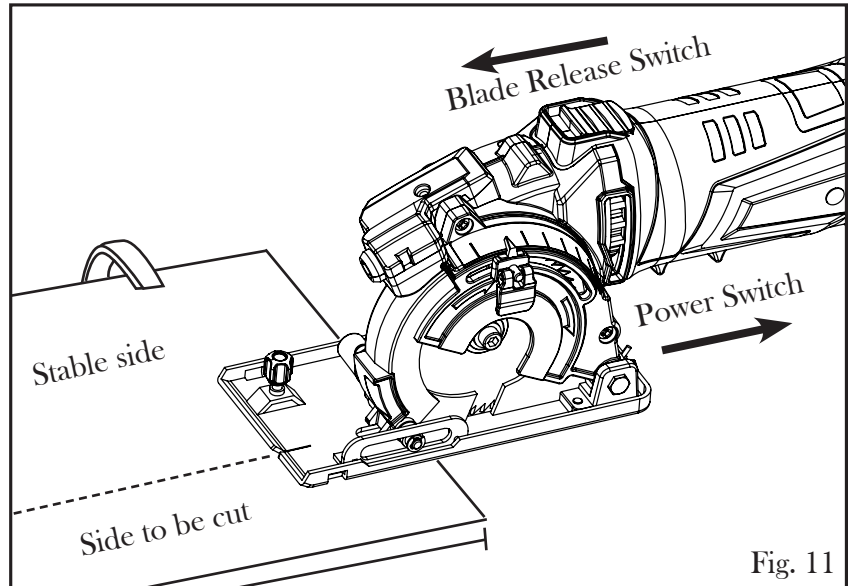
### OPERATING THE SAW

1. Hold the tool firmly in your right hand with your thumb on the blade release switch and your fingers in the grooves of the power switch. Stand to the left side of the saw.

2. Set the front portion of the base plate onto the workpiece. Position the base plate with its right side resting on the larger section of board that **DOES NOT** fall off when being cut. Align the cutting guide indicator (see page 6) with the cutting guideline marked on the workpiece (Fig. 11). Ensure that the blade is **NOT** in contact with the workpiece.

3. Pull the power switch back with your fingers to turn on the saw. Wait three seconds to allow the blade to reach full speed.

4. Make sure that the base plate is stable on the workpiece; this is very important especially during the start or finish of a cut. Push the blade release switch forward with your thumb to lower the saw blade. Slowly push the blade into the workpiece.



5. Gently push the saw forward along the cutting guideline while keeping the base plate flat against the workpiece surface. Do not force the saw forward too quickly in order to try and hurry up the process. Let the tool work at its own pace. Never pull the saw backwards while cutting.

6. Let the saw blade run through the entire cut, then lift the tool from the work surface and then release the power switch and blade release switch. Disconnect the saw from the power source.

### CUTTING METAL

It is recommended to start with cutting wood to become familiarized with your tool before attempting to cut tougher materials such as metal and some plastics as they require more pressure.

Make sure to install the metal blade for metal cutting operations (see page 10). Before cutting metal, remove burrs and rust from the metal workpiece to avoid impeding the blade feed across the material. Apply thick beeswax (furniture polish) to the underside of the base plate to make metal cutting easier.



**WARNING:** Wear work gloves and safety goggles to protect your eyes and hands from sparks and metal chips. Every 2 minutes of metal cutting should be followed by letting your saw rest for at least 3 minutes.

### CUTTING CERAMIC TILES

Install the diamond blade (see page 10) for tile cutting. Make sure to connect the tool to a dust collector as ceramic dust can be hazardous to your health and clog the blade guard. Place duct tape on the base plate to prevent any scratching on the work surface.

## MAINTENANCE

---



**WARNING:** To avoid accidents, always disconnect the tool from the power supply before cleaning or performing any maintenance.

### **CLEANING**

Cleaning your tool immediately after each operation is recommended. Wipe the equipment with a clean cloth or blow away the dust with compressed air at low pressure. Keep the ventilation openings free from dust and debris to prevent the motor from overheating. Do not let water enter the tool.

Avoid using solvents when cleaning plastic parts. Most plastics are susceptible to damage from various types of commercial solvents and may be damaged by their use. Do not at any time let brake fluids, gasoline, petroleum-based products, penetrating oils, etc., come in contact with plastic parts. Chemicals can damage, weaken or destroy plastic which may result in serious personal injury.

**NOTE:** Electric tools used on fiberglass material, wallboard, spackling compounds, or plaster are prone to accelerated wear and possible premature failure, because the fiberglass chips and grindings are highly abrasive to the bearings, brushes, etc. We do not recommend using this tool for extended work on these types of materials. However, if you do work with any of these materials, it is extremely important to clean the tool using compressed air after operation.

### **STORAGE**

Store the tool in the storage case and place it in a clean, dry place away from the reach of children.

### **PRODUCT DISPOSAL**

Used power tools should not be disposed of together with household waste. This product contains electrical or electronic components that should be recycled. Please take this product to your local recycling facility for responsible disposal and to minimize its environmental impact.

## TROUBLESHOOTING

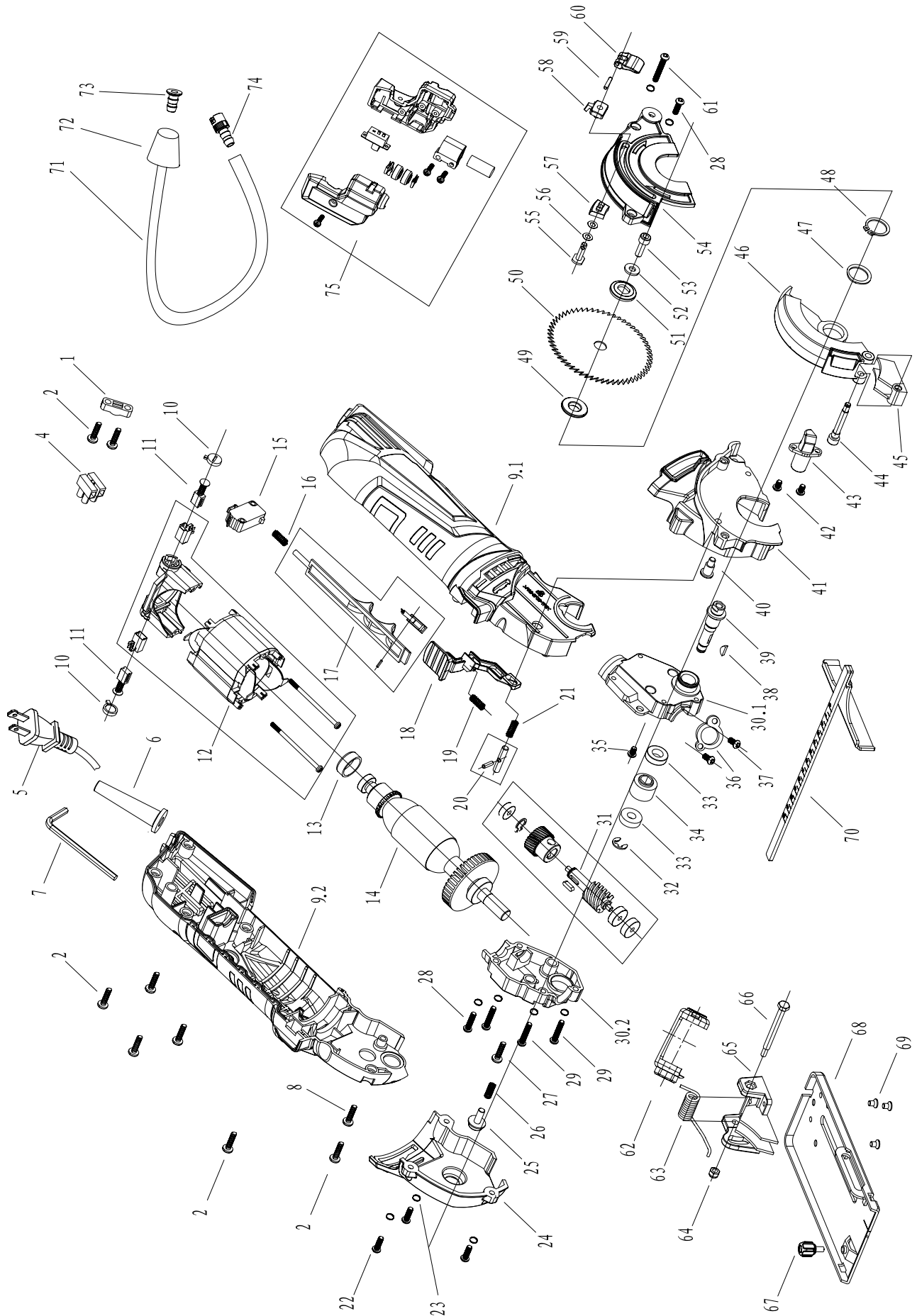
---

Repairs and replacements should only be performed by an authorized technician. If you have any questions, please contact our customer service at (800) 232-1195, M-F 8-5 CST or email us at [techsupport@wenproducts.com](mailto:techsupport@wenproducts.com).

Problem	Possible Cause	Solution
Motor does not start	Power cord damaged or not properly plugged in.	Check the power cord, extension cord, power plug and the power outlet. Make sure the outlet is functional. Do not use the tool if any cord is damaged.
	Defective power switch.	Stop using the tool and contact customer service at (800) 232-1195, M-F 8-5 CST for assistance.
	Motor carbon brushes (Part No. 36704-011) are worn.	Have the carbon brushes checked and replaced by an experienced technician.
	Defective Motor.	Stop using the tool and contact customer service at (800) 232-1195, M-F 8-5 CST for assistance.
Ineffective Cutting	Cutting blade edges are dull/worn.	Replace the cutting blade (see page 10).
	Blade not suitable for the material being cut.	Select the correct cutting blade (see page 10) for your material.
	The blade is not installed properly.	See instructions for properly installing the blade on page 10.

**NOTE:** Parts that wear down over the course of normal use (like saw blades, carbon brushes, etc.) are not covered by the two-year warranty.

# EXPLODED VIEW & PARTS LIST





## EXPLODED VIEW & PARTS LIST

No.	Part No.	Description	Qty.
1	36704-001	Pressing Line Plate	1
2	36704-002	Screw ST4x16	8
3	36704-003	Capacitor	1
4	36704-004	Terminal	1
5	36704-005	Power Cord	1
6	36704-006	Power Cord Sheath	1
7	36704-007	M6 Hex Wrench	1
8	36704-008	Screw ST4x25	1
9.1	36704-009.1	Left Handle Housing	1
9.2	36704-009.2	Right Handle Housing	1
10	36704-010	Carbon Brush Inside Cover	2
11	36704-011	Carbon Brush	2
12	36704-012	Stator	1
13	36704-013	Bump Protection Ring	1
14	36704-014	Rotor	1
15	36704-015	Switch Box	1
16	36704-016	Switch Lever Spring	1
17	36704-017	Power Switch	1
18	36704-018	Shield Push Button	1
19	36704-019	Blade Release Switch	1
20	36704-020	Locking Shaft	1
21	36704-021	Cover Locking Spring	1
22	36704-022	Screw M4x12	3
23	36704-023	Spring Washers M4	9
24	36704-024	Left Cover	1
25	36704-025	Spindle Lock Button	1
26	36704-026	Spindle Lock Spring	1
27	36704-027	Screw ST4x20	1
28	36704-028	Screw M4x16	1
29	36704-029	Screw M4x20	3
30.1	36704-030.1	Left Reducer	1
30.2	36704-030.2	Right Reducer	1
31	36704-031	Gear Module	1
32	36704-032	Retainer Ring M6	1
33	36704-033	Bearing 607	2
34	36704-034	Worm Gear	1
35	36704-035	Screw M4x6	1
36	36704-036	Worm Baffle	1
37	36704-037	Screw M4x8	2
38	36704-038	Shaft Key	1
39	36704-039	Blade Arbor	1
40	36704-040	Base Cap Screw	1
41	36704-041	Right Cover	1

No.	Part No.	Description	Qty.
42	36704-042	Screw M4x6	2
43	36704-043	Dust Port	1
44	36704-044	Cover Connecting Screw	1
45	36704-045	Slider Cover	1
46	36704-046	Movable Cover	1
47	36704-047	Friction Pad	1
48	36704-048	Retainer Ring M17	1
49	36704-049	Inner Flange	1
50	B8515W	TCT Wood-Cutting Blade	1
51	36704-051	Outer Flange	1
52	36704-052	Clamped Gasket	1
53	36704-053	Screw M6x10	1
54	36704-054	Upper Blade Guard	1
55	36704-055	Depth Lock Pin	1
56	36704-056	Flat Mat	2
57	36704-057	Depth Stop	1
58	36704-058	Depth Pointer	1
59	36704-059	Pointer Axis	1
60	36704-060	Pointer Lever	1
61	36704-061	Screw M4x25	1
62	36704-062	Screw Cover	1
63	36704-063	Spring	1
64	36704-064	Nut M4	1
65	36704-065	Base Connection Bracket	1
66	36704-066	Base Connection Screw	1
67	36704-067	Fence Lock Knob	1
68	36704-068	Base Plate	1
69	36704-069	Screw M4x6	3
70	36704-070	Rip Fence	1
71	36704-071	Dust Extraction Hose	1
72	36704-072	Extraction Hose Rubber Port	1
73	36704-073	Plug Pipe	1
74	36704-074	Vacuum Tube Connector	1
75	36704-075	Laser Assembly	1
76	B8515M	HSS Metal-Cutting Blade (Not Shown)	1
77	B8515T	Diamond Tile-Cutting Blade (Not Shown)	1

## **LIMITED TWO YEAR WARRANTY**

---

WEN Products is committed to build tools that are dependable for years. Our warranties are consistent with this commitment and our dedication to quality.

### **LIMITED WARRANTY OF WEN CONSUMER POWER TOOLS PRODUCTS FOR HOME USE**

GREAT LAKES TECHNOLOGIES, LLC (“Seller”) warrants to the original purchaser only, that all WEN consumer power tools will be free from defects in material or workmanship for a period of two (2) years from date of purchase. Ninety days for all WEN products, if the tool is used for professional use.

**SELLER’S SOLE OBLIGATION AND YOUR EXCLUSIVE REMEDY** under this Limited Warranty and, to the extent permitted by law, any warranty or condition implied by law, shall be the repair or replacement of parts, without charge, which are defective in material or workmanship and which have not been misused, carelessly handled, or misrepaired by persons other than Seller or Authorized Service Center. To make a claim under this Limited Warranty, you must make sure to keep a copy of your proof of purchase that clearly defines the Date of Purchase (month and year) and the Place of Purchase. Place of purchase must be a direct vendor of Great Lakes Technologies, LLC. Third party vendors such as garage sales, pawn shops, resale shops, or any other secondhand merchant void the warranty included with this product. Contact [techsupport@wenproducts.com](mailto:techsupport@wenproducts.com) or 1-800-232-1195 to make arrangements for repairs and transportation.

When returning a product for warranty service, the shipping charges must be prepaid by the purchaser. The product must be shipped in its original container (or an equivalent), properly packed to withstand the hazards of shipment. The product must be fully insured with a copy of the warranty card and/or the proof of purchase enclosed. There must also be a description of the problem in order to help our repairs department diagnose and fix the issue. Repairs will be made and the product will be returned and shipped back to the purchaser at no charge.

**THIS LIMITED WARRANTY DOES NOT APPLY TO ACCESSORY ITEMS THAT WEAR OUT FROM REGULAR USAGE OVER TIME INCLUDING BELTS, BRUSHES, BLADES, ETC.**

**ANY IMPLIED WARRANTIES SHALL BE LIMITED IN DURATION TO TWO (2) YEARS FROM DATE OF PURCHASE. SOME STATES IN THE U.S., SOME CANADIAN PROVINCES DO NOT ALLOW LIMITATIONS ON HOW LONG AN IMPLIED WARRANTY LASTS, SO THE ABOVE LIMITATION MAY NOT APPLY TO YOU.**

**IN NO EVENT SHALL SELLER BE LIABLE FOR ANY INCIDENTAL OR CONSEQUENTIAL DAMAGES (INCLUDING BUT NOT LIMITED TO LIABILITY FOR LOSS OF PROFITS) ARISING FROM THE SALE OR USE OF THIS PRODUCT. SOME STATES IN THE U.S. AND SOME CANADIAN PROVINCES DO NOT ALLOW THE EXCLUSION OR LIMITATION OF INCIDENTAL OR CONSEQUENTIAL DAMAGES, SO THE ABOVE LIMITATION OR EXCLUSION MAY NOT APPLY TO YOU.**

**THIS LIMITED WARRANTY GIVES YOU SPECIFIC LEGAL RIGHTS, AND YOU MAY ALSO HAVE OTHER RIGHTS WHICH VARY FROM STATE TO STATE IN THE U.S., PROVINCE TO PROVINCE IN CANADA AND FROM COUNTRY TO COUNTRY.**

**THIS LIMITED WARRANTY APPLIES ONLY TO PORTABLE ELECTRIC TOOLS, BENCH POWER TOOLS, OUTDOOR POWER EQUIPMENT AND PNEUMATIC TOOLS SOLD WITHIN THE UNITED STATES OF AMERICA, CANADA AND THE COMMONWEALTH OF PUERTO RICO. FOR WARRANTY COVERAGE WITHIN OTHER COUNTRIES, CONTACT THE WEN CUSTOMER SUPPORT LINE.**



**THANKS FOR  
REMEMBERING**

