



MODEL 3424EX

WOOD LATHE BED EXTENSION

SPECIFICATIONS

Model Number	3424EX
Compatible with	WEN 12x18-inch wood lathes, model numbers 3424 & 34018
Length of Extension	23.5 in.
Length of Lathe with Extension	41.5 in.
Dimensions	24.5 x 8 x 8 in.
Weight	23.15 lbs

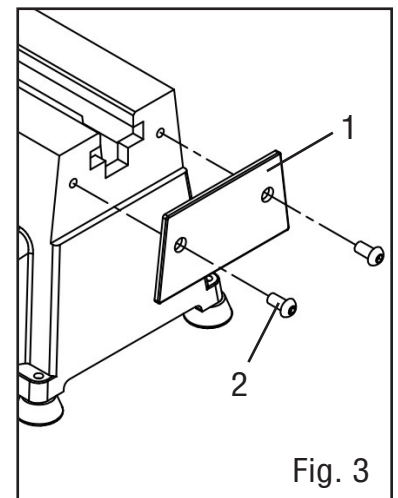
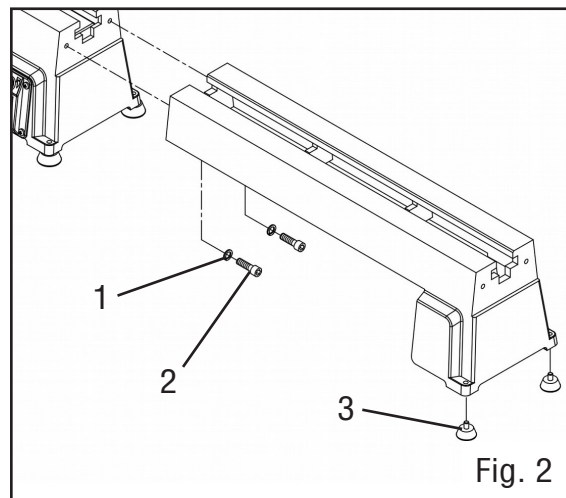
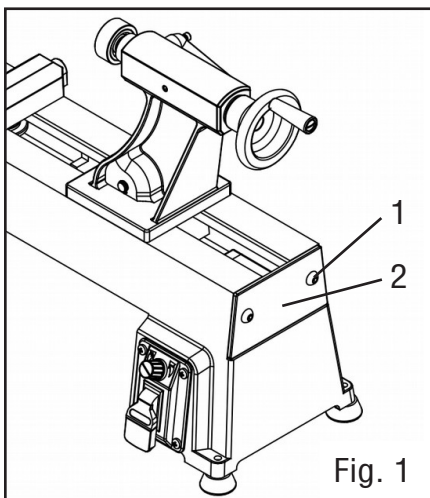
INSTALLING THE BED EXTENSION

1. Remove the two pan head screws (Fig. 1 - 1) and the end plate (Fig. 1 - 2) from the lathe. Set these parts aside.

2. Attach the two included feet to the bed extension (Fig. 2 - 3).

3. Fix the bed extension to the lathe using the two 8-1.25x20 socket head screws (Fig. 2 - 2) and 8 mm lock washers (Fig. 2 - 1). Use the included hex wrench to tighten the screws.

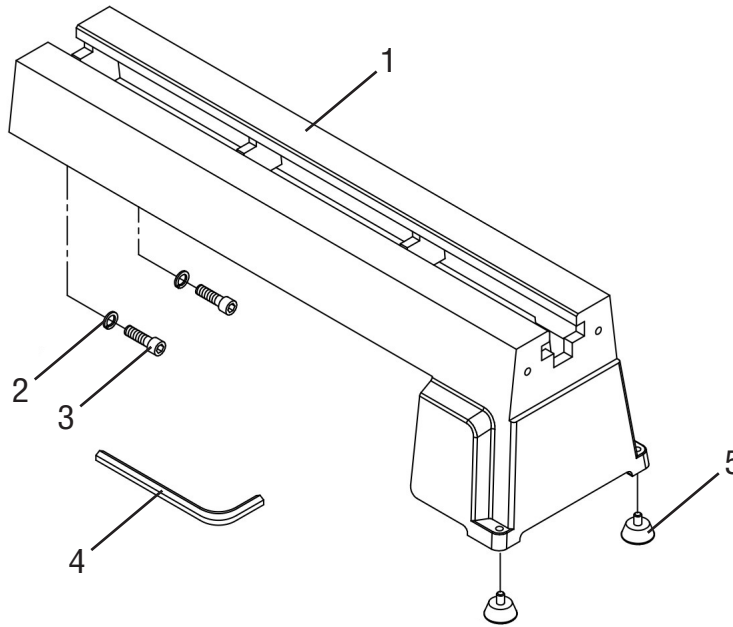
3. Place the end plate (Fig. 3 - 1) on the end of the bed extension and fix it with the two pan head screws (Fig. 3 - 2).



MOUNTING THE LATHE TO A BENCHTOP

For effective and safe operation, the lathe should be mounted to a benchtop or table. To do this, remove the feet and use the four threaded holes in its base, as well as the two threaded holes on the extension's base, to bolt it to the surface. The threads are M8-1.25. Place the machine on a stable, flat work surface. Make sure there is sufficient open space around the machine for operation and adjustments. Route the power cord so that it will not make contact with the lathe's moving parts.

EXPLODED VIEW & PARTS LIST



No.	Part No.	Description	Qty.
1	3424EX-001	Bed Extension	1
2	3424EX-002	8 mm Lock Washer	2
3	3424EX-003	M8-1.25x20 Socket Head Screw	2
4	3424EX-004	6 mm Hex Wrench	1
5	3424-047	Foot, M8-1.25	2

NOTICE: Please refer to wenproducts.com for the most up-to-date instruction manual.

QUESTIONS? CONCERNS? MISSING PARTS?

**DO NOT RETURN TO THE STORE
INSTEAD CALL CUSTOMER SERVICE AT:**

1-800-232-1195