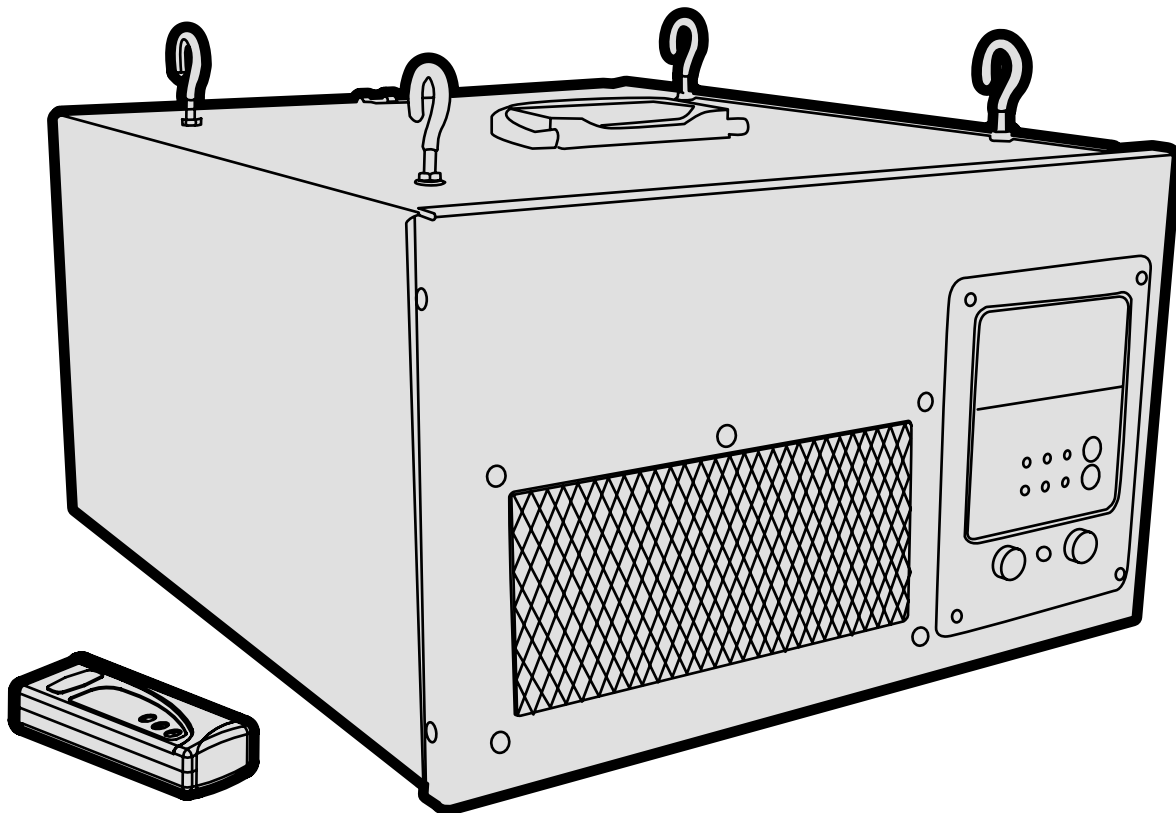




MODEL 3410

3-SPEED AIR FILTRATION SYSTEM

Instruction Manual



NEED HELP? CONTACT US!

Have product questions? Need technical support? Please feel free to contact us:



1-800-232-1195 (M-F 8AM-5PM CST)



TECHSUPPORT@WENPRODUCTS.COM

IMPORTANT: Your new tool has been engineered and manufactured to WEN's highest standards for dependability, ease of operation, and operator safety. When properly cared for, this product will supply you years of rugged, trouble-free performance. Pay close attention to the rules for safe operation, warnings, and cautions. If you use your tool properly and for its intended purpose, you will enjoy years of safe, reliable service.

For replacement parts and the most up-to-date instruction manuals, visit ***WENPRODUCTS.COM***

TABLE OF CONTENTS

Technical Data	2
General Safety Rules	3
Specific Safety Rules For Air Filtration System	4
Electrical Information	5
Know Your Air Filtration System	6
Assembly and Adjustments.....	7
Operation	8
Maintenance	9
Exploded View & Parts List	10
Warranty	12

TECHNICAL DATA

Model Number:	3410
Motor:	120 V, 60 Hz, 1A, 1/6HP
Air Flow Speeds:	300, 350, and 400 CFM
Filters:	1 micron inner/5 micron outer
Sound Output:	50-60 dB
Maximum Remote Control Distance	26 feet
Weight:	31 lbs

GENERAL SAFETY RULES

Safety is a combination of common sense, staying alert and knowing how your item works. **SAVE THESE SAFETY INSTRUCTIONS.**



WARNING: To avoid mistakes and serious injury, do not plug in your tool until the following steps have been read and understood.

1. **READ** and become familiar with this entire instruction manual. **LEARN** the tool's applications, limitations, and possible hazards.
2. **AVOID DANGEROUS CONDITIONS.** Do not use power tools in wet or damp areas or expose them to rain. Keep work areas well lit.
3. **DO NOT** use power tools in the presence of flammable liquids or gases.
4. **ALWAYS** keep your work area clean, uncluttered, and well lit. **DO NOT** work on floor surfaces that are slippery with sawdust or wax.
5. **KEEP BYSTANDERS AT A SAFE DISTANCE** from the work area, especially when the tool is operating. **NEVER** allow children or pets near the tool.
6. **DO NOT FORCE THE TOOL** to do a job for which it was not designed.
7. **DRESS FOR SAFETY.** Do not wear loose clothing, gloves, neckties, or jewelry (rings, watches, etc.) when operating the tool. Inappropriate clothing and items can get caught in moving parts and draw you in. **ALWAYS** wear non-slip footwear and tie back long hair.
8. **WEAR A FACE MASK OR DUST MASK** to fight the dust produced by sawing operations.



WARNING: Dust generated from certain materials can be hazardous to your health. Always operate the tool in a well-ventilated area and provide for proper dust removal. Use dust collection systems whenever possible.

9. **ALWAYS** remove the power cord plug from the electrical outlet when making adjustments, changing parts, cleaning, or working on the tool.
10. **KEEP GUARDS IN PLACE AND IN WORKING ORDER.**
11. **AVOID ACCIDENTAL START-UPS.** Make sure the power switch is in the **OFF** position before plugging in the power cord.
12. **REMOVE ADJUSTMENT TOOLS.** Always make sure all adjustment tools are removed from the saw before turning it on.
13. **NEVER LEAVE A RUNNING TOOL UNATTENDED.** Turn the power switch to **OFF**. Do not leave the tool until it has come to a complete stop.
14. **NEVER STAND ON A TOOL.** Serious injury could result if the tool tips or is accidentally hit. **DO NOT** store anything above or near the tool.

GENERAL SAFETY RULES

15. **DO NOT OVERREACH.** Keep proper footing and balance at all times. Wear oil-resistant rubber-soled footwear. Keep the floor clear of oil, scrap, and other debris.
16. **MAINTAIN TOOLS PROPERLY. ALWAYS** keep tools clean and in good working order. Follow instructions for lubricating and changing accessories.
17. **CHECK FOR DAMAGED PARTS.** Check for alignment of moving parts, jamming, breakage, improper mounting, or any other conditions that may affect the tool's operation. Any part that is damaged should be properly repaired or replaced before use.
18. **MAKE THE WORKSHOP CHILDPROOF.** Use padlocks and master switches and **ALWAYS** remove starter keys.
19. **DO NOT** operate the tool if you are under the influence of drugs, alcohol, or medication that may affect your ability to properly use the tool.
20. **USE SAFETY GOGGLES AT ALL TIMES** that comply with ANSI Z87.1. Normal safety glasses only have impact resistant lenses and are not designed for safety. Wear a face or dust mask when working in a dusty environment. Use ear protection such as plugs or muffs during extended periods of operation.

SPECIFIC RULES FOR AIR FILTRATION SYSTEMS

1. To reduce the risk of injury and electric shock hazards, unplug the air filtration system before replacing filters or otherwise engaging in maintenance or service.
2. If mounting the air filtration system to the ceiling:
 - Make sure the bottom of the air filtration system is at least 7' from floor level.
 - Anchor the air filtration system only to building structures capable of holding at least 100 lbs.
 - Do not anchor the filtration system to non-structural components such as drywall, false ceiling panels, etc.
3. Position the air filtration system so that it is at least 3' away from any corner and from any heating, cooling, or air circulation vents.
4. Do not use the air filter in environments that have poisonous gases, fumes, noxious smoke, or other chemical risks. This filtration system is only designed to filter dust, airborne bacteria, small particles, etc.
5. Do not expose the air filtration system to water. Do not use in wet or damp environments. Failure to comply with this instruction may cause damage to the unit and electric shock or other injury to the user.
6. Do not connect a power tool to expel waste or dust directly into the air filter. Doing so may damage the air filter.
7. This filtration system is designed to filter many airborne contaminants that may damage the human respiratory system. However, the use of this system does not mean that other safety measures such as dust masks may be ignored. Seek medical attention immediately if you experience any worrying respiratory symptoms.

ELECTRICAL INFORMATION

GROUNDING INSTRUCTIONS

IN THE EVENT OF A MALFUNCTION OR BREAKDOWN, grounding provides the path of least resistance for an electric current and reduces the risk of electric shock. This tool is equipped with an electric cord that has an equipment grounding conductor and a grounding plug. The plug **MUST** be plugged into a matching outlet that is properly installed and grounded in accordance with **ALL** local codes and ordinances.

DO NOT MODIFY THE PLUG PROVIDED. If it will not fit the outlet, have the proper outlet installed by a licensed electrician.

IMPROPER CONNECTION of the equipment grounding conductor can result in electric shock. The conductor with the green insulation (with or without yellow stripes) is the equipment grounding conductor. If repair or replacement of the electric cord or plug is necessary, **DO NOT** connect the equipment grounding conductor to a live terminal.

CHECK with a licensed electrician or service personnel if you do not completely understand the grounding instructions or whether the tool is properly grounded.

USE ONLY THREE-WIRE EXTENSION CORDS that have three-pronged plugs and outlets that accept the tool's plug as shown in Fig. A. Repair or replace a damaged or worn cord immediately.

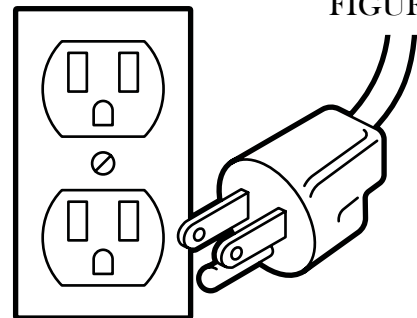


CAUTION: In all cases, make certain the outlet in question is properly grounded. If you are not sure, have a licensed electrician check the outlet.



WARNING: This tool is for indoor use only. Do not expose to rain or use in damp locations.
Guidelines for using extension cords

Make sure your extension cord is in good condition. When using an extension cord, be sure to use one heavy enough to carry the current your product will draw. An undersized cord will cause a drop in line voltage resulting in loss of power and overheating. The table below shows the correct size to be used according to cord length and nameplate ampere rating. When in doubt, use a heavier cord. The smaller the gauge number, the heavier the cord.



Make sure your extension cord is properly wired and in good condi-

AMPERAGE	REQUIRED GAUGE FOR EXTENSION CORDS			
	25 ft.	50 ft.	100 ft.	150 ft.
3.4 A	18 gauge	16 gauge	16 gauge	14 gauge

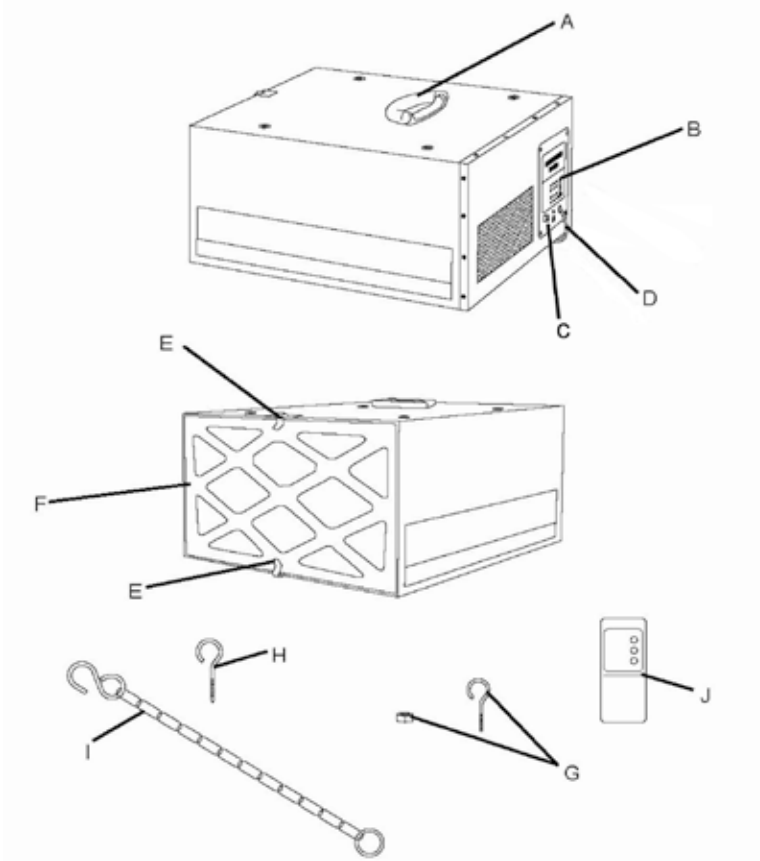
tion. Always replace a damaged extension cord or have it repaired by a qualified person before using it. Protect your extension cords from sharp objects, excessive heat and damp/wet areas.



Use a separate electrical circuit for your tools. This circuit must not be less than a #12 wire and should be protected with a 15 A time-delayed fuse. Before connecting the motor to the power line, make sure the switch is in the **OFF** position and the electric current is rated the same as the current stamped on the motor nameplate. Running at a lower voltage will damage the motor.

WARNING: This tool must be grounded while in use to protect the operator from electric shock.

KNOW YOUR AIR FILTRATION SYSTEM



No.	Description
A	Carrying Handle
B	Control Panel/Receiver
C	Fuse
D	Power Cord
E	Filter Lock Clip
F	Outer Filter
G	Hangers and Locknuts (4)
H	Woodscrew Hooks (4)
I	Chains (4)
J	Remote Control

NOT SHOWN:

1 - Inner Filter (present inside of machine on arrival)

2 - AA Batteries (Not Included)

Carefully unpack the air filter and all its parts. Do not discard the carton or any packaging until the air filter is completely assembled.

ASSEMBLY AND ADJUSTMENTS

The air filter is designed to circulate air and filter wood and other non-metallic dust. The unit requires only minimal assembly. However, it is important to consider how and where to place the unit. When selecting a site, make sure there is a suitable power source nearby. If you choose to use an extension cord, make sure it meets the specifications on page 5.

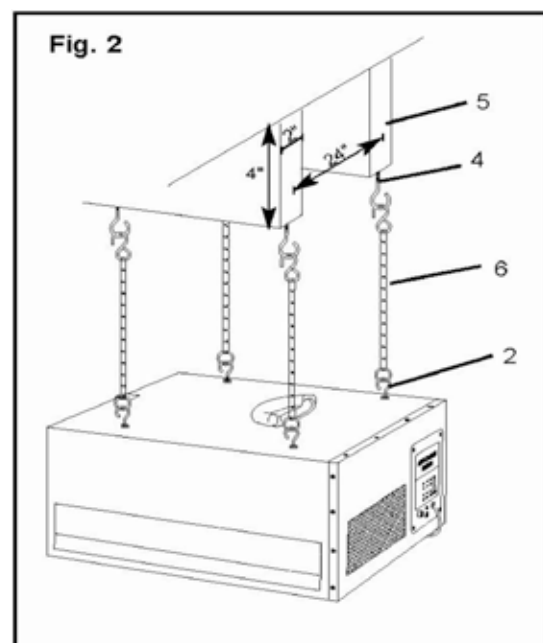
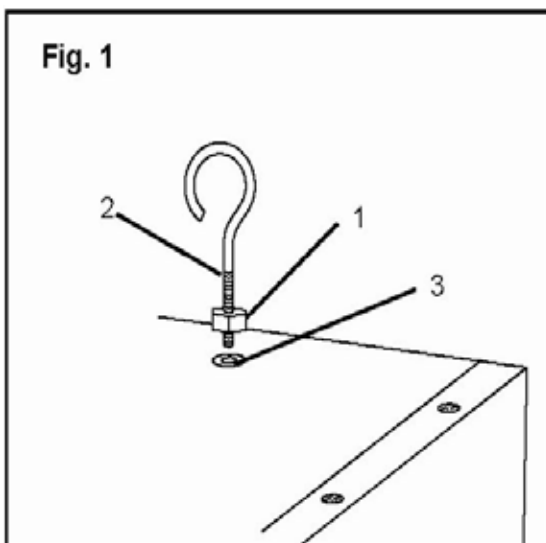
HANGER PLACEMENT (Fig. 1)

1. Thread the locknuts (1) almost all the way up the hanger (2).
2. Thread a hanger into each of the four mounting holes (3) on the top of the air filter cabinet.
3. Tighten each locknut against the cabinet top. Hold the hangers so that they do not spin while tightening the locknut.

CEILING PLACEMENT (Fig. 1 & 2)

Make sure the unit will be situated at least 7' above the floor and at least 3' (1 m) away from a corner and from any heating or air vents.

1. Install the wood screw hooks (4) into the building support structure. Do not mount the air filter to non-structural surfaces such as dry wall or false ceiling grids. The hooks are rated for this air filter and can support a maximum of 100 lbs.
2. Place a chain (6) on each wood screw hook (4).
3. Attach the hangers (2) on each chain (6).
4. Make sure the unit is level horizontally, and is at least 7' above the floor. If it is not, remove the air filter and adjust the length of the chain as needed. Then remount the unit.
5. Plug the air filter power cord directly into a power source.



OPERATION

The air filter can be operated directly using the control panel or with the remote control.

TURN ON AIR FILTER AND SPEED SETTINGS (Fig. 3 and 4)

1. Plug the power cord into an appropriate power source.
2. Press the ON/Speed button (1) on the control panel or the remote control to power on the air filter. The air filter will be running at low speed. The LO LED will light, indicating that the unit has been worked at low speed.
3. Press the ON/Speed button (1) again to change the speed. The LEDs (2) next to the ON/speed button on the control panel indicate the selected speed-high, medium, or low.

SET THE TIMER (Fig. 3 and 4)

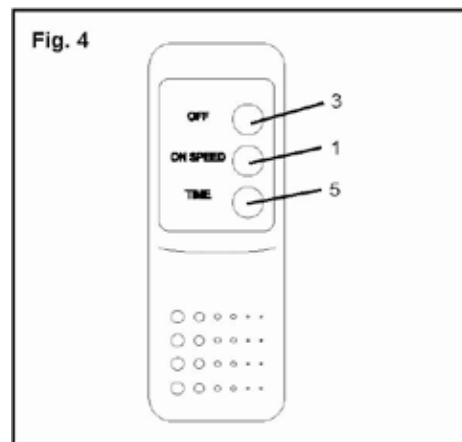
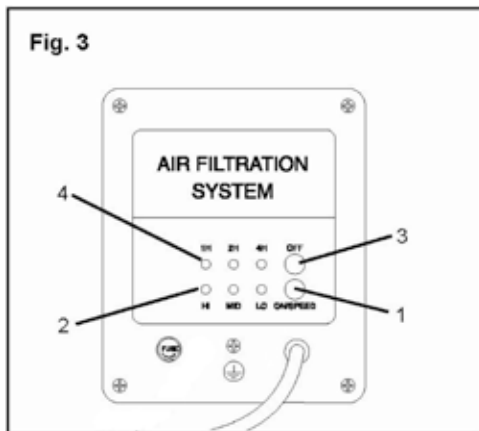
A timer allows you to operate the filter set the length of time (1, 2, 4 hours and clear the timer) that the air filter will operate before shutting off automatically. The air filter can be set the timer with the remote control only.

1. Press the TIME button (5) on the remote control to start the timer. The cycle is 1 hour, 2 hours, 4 hours and clear the timer.
2. Press the TIME button (5) on the remote control to set the timer. The LEDs (4) on the control panel indicate the amount of time selected.



Note: the unit will shut off automatically after the selected time interval elapses. When you choose clear the timer, the air filter will keep running until turning it off.

The Air Filtration system can be turned off using the OFF button on the remote control.



MAINTENANCE



WARNING: To reduce the risk of injury and electric shock, unplug the air filtration system from the power source before changing the air filters or servicing the unit.

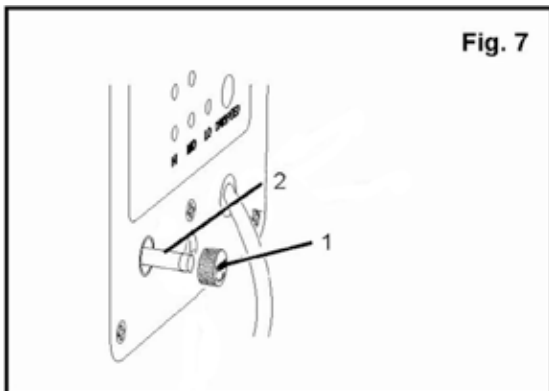
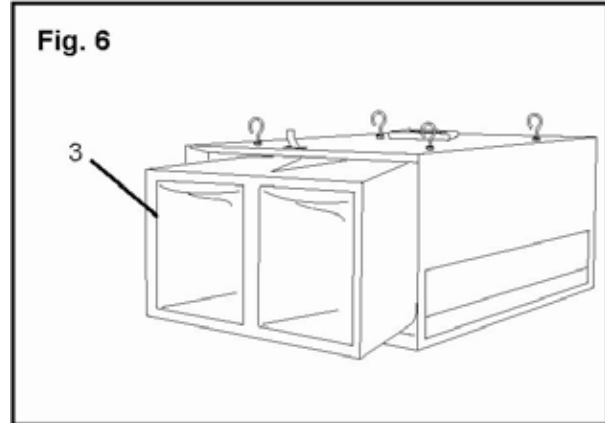
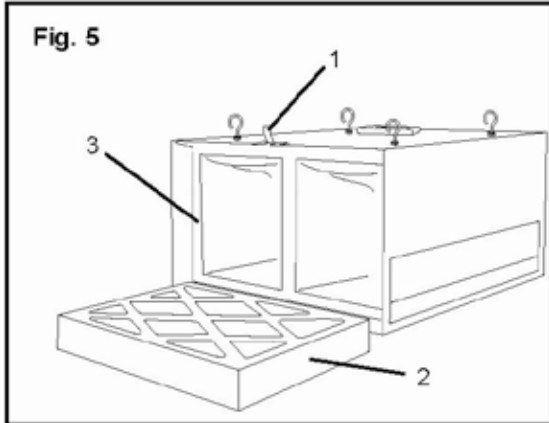
CHANGE THE FILTERS (Fig. 5 and 6)

Check the inner and outer filters periodically, depending on the amount of use, and change the filters when needed. Clogged filters will reduce the amount of air circulating through the filter. Replacement filters for this unit available at WENproducts.com and all online retailers where this unit is sold (5-Micron Outer Air Filter - Model 90243-027-2, 1-Micron Inner Air Filter - Model 90243-026-2).

1. Lift up the clips (1) and remove the outer filter (2) from the cabinet housing.
2. Pull the inner filter (3) out of the cabinet.
3. Install a new inner filter.
4. Install a new outer filter. The arrow on the outside of the filter indicates the proper direction to insert the filter into the cabinet.

CHECK AND REPLACE THE FUSE (Fig. 7)

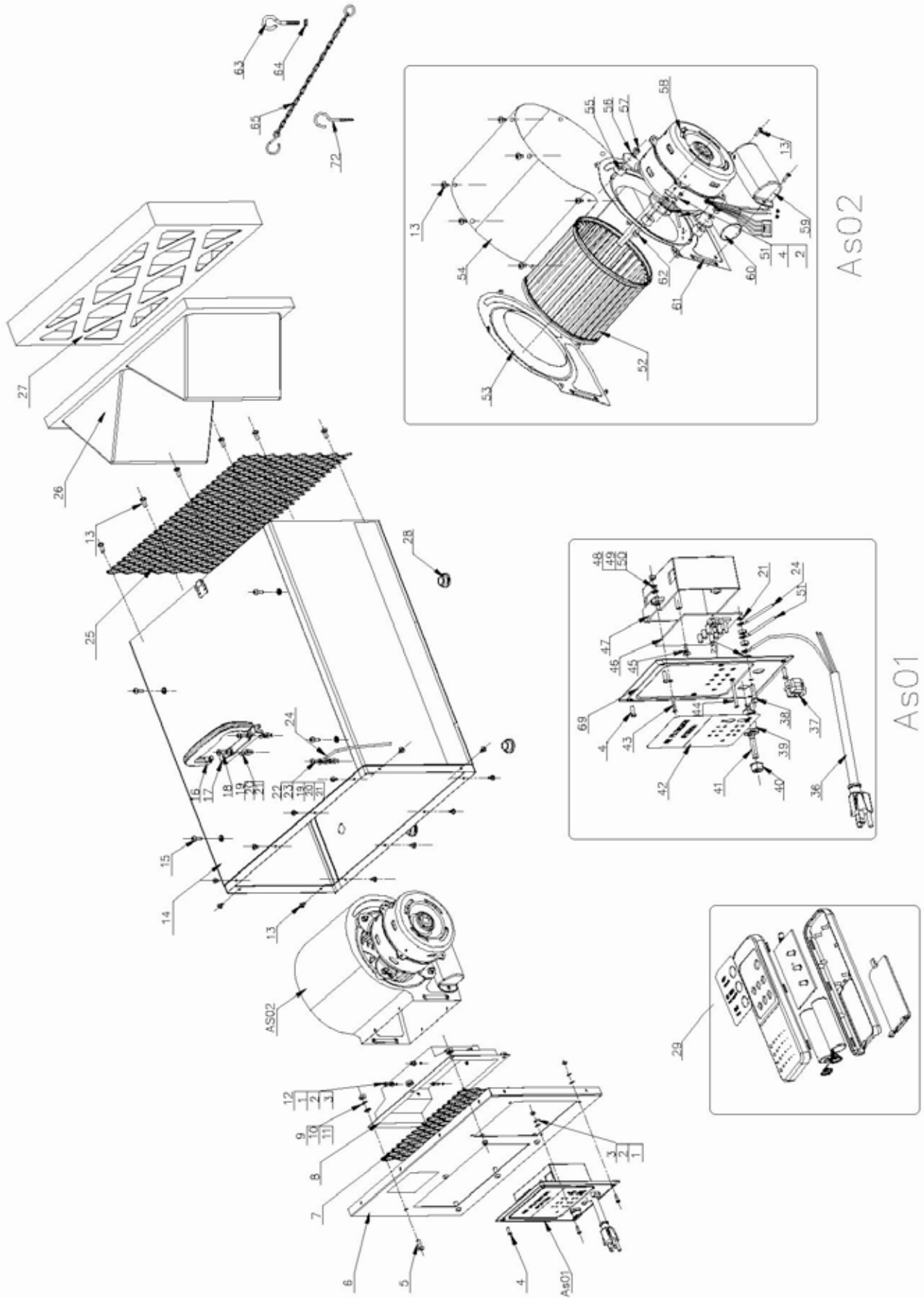
1. Turn the fuse cap (1) counterclockwise to loosen and pull the fuse away from the control panel.
2. Insert a new fuse (2 amps) (2) in the fuse cap and put it into the control panel.



To replace the batteries in the remote control:

1. Open the remote control battery compartment
2. Replace used batteries with 2 AA batteries
3. Close battery compartment

EXPLODED VIEW & PARTS LIST



EXPLODED VIEW & PARTS LIST

No.	Part Number	Description	Qty.	No.	Part Number	Description	Qty.
1	90243-001	Hex Nut M4	13	39	90243-039	Fuse Holder	1
2	90243-002	Flat Washer M4	13	40	90243-040	Fuse Cap	1
3	90243-003	Lock Washer M4	13	41	90243-041	Fuse (2A)	1
4	90243-004	Screw M4X12	5	42	3410-042RF	Control Panel Label RF	1
5	90243-005	Screw M6X16	6	43	90243-043	Screw M3X15	1
6	90243-006	Air Box Front Cover	1	44	90243-044	Screw M3X30	1
7	90243-007	Grid Plate	1	45	90243-045	Screw ST3.2X8	1
8	90243-008	Air Guide	1	46	3410-046RF-01	RF Printed Circuit Board	1
9	90243-009	Hex Nut M6	6	47	90243-047	Switch Box	1
10	90243-010	Flat Washer M6	6	48	90243-048	Flat Washer M3	2
11	90243-011	Lock Washer M6	6	49	90243-049	Lock Washer M3	2
12	90243-012	Screw M4X12	8	50	90243-050	Hex Nut M3	2
13	90243-013	Screw ST4X10	34	51	90243-051	Wire	1
14	90243-014	Air Box	1	As02	90243-AS02	Motor & Fan Assembly	1
15	90243-015	Screw M6X12	4	52	90243-052	Fan Wheel	1
16	90243-016	Carrying Handle	1	53	90243-053	Fan Housing Cover	1
17	90243-017	Handle Bracket	1	54	90243-054	Fan Housing	1
18	90243-018	Screw M5X16	2	55	90243-055	Rubber Spacer	4
19	90243-019	Flat Washer M5	3	56	90243-056	Large Washer M5	4
20	90243-020	Lock Washer M5	3	57	90243-057	Lock Nut M5	4
21	90243-021	Hex Nut M5	6	58	90243-058	Motor	1
22	90243-022	Screw M5X12	1	59	90243-059	Capacitor Cover	1
23	90243-023	Lock Washer M5	2	60	90243-060	Capacitor	1
24	90243-024	Wire	1	61	90243-061	Fan Housing Cover	1
25	90243-025	Grid Plate	1	62	90243-062	Screw M5X25	4
26	90243-026	Inner Filter	1	63	90243-063	Hanger	4
27	90243-027	Outer Filter	1	64	90243-064	Flange Nut M6	4
28	90243-028	Rubber Foot	4	65	90243-065	Chain	4
29	3410-029RF-01	RF Remote Control Unit	1	69	90243-069	Switch Box Cover	1
As01	90243-AS01	Control Panel Assembly	1	72	90243-072	Wood Screw Hook	4
36	90243-036	Power Cord	1				
37	90243-037	Strain Relief	1				
38	90243-038	Screw M5X20	1				

LIMITED TWO YEAR WARRANTY

WEN Products is committed to building tools that are dependable for years. Our warranties are consistent with this commitment and our dedication to quality.

LIMITED WARRANTY OF WEN CONSUMER POWER TOOLS PRODUCTS FOR HOME USE

GREAT LAKES TECHNOLOGIES, LLC (“Seller”) warrants to the original purchaser only, that all WEN consumer power tools will be free from defects in material or workmanship for a period of two (2) years from date of purchase. Ninety days for all WEN products if the tool is used for professional or commercial use.

SELLER’S SOLE OBLIGATION AND YOUR EXCLUSIVE REMEDY under this Limited Warranty and, to the extent permitted by law, any warranty or condition implied by law, shall be the repair or replacement of parts, without charge, which are defective in material or workmanship and which have not been misused, carelessly handled, or misrepaired by persons other than Seller or Authorized Service Center. To make a claim under this Limited Warranty, you must make sure to keep a copy of your proof of purchase that clearly defines the Date of Purchase (month and year) and the Place of Purchase. Place of purchase must be a direct vendor of Great Lakes Technologies, LLC. Third party vendors such as garage sales, pawn shops, resale shops, or any other secondhand merchant void the warranty included with this product. Contact techsupport@wenproducts.com or 1-800-232-1195 to make arrangements for repairs and transportation.

When returning a product for warranty service, the shipping charges must be prepaid by the purchaser. The product must be shipped in its original container (or an equivalent), properly packed to withstand the hazards of shipment. The product must be fully insured with a copy of the warranty card and/or the proof of purchase enclosed. There must also be a description of the problem in order to help our repairs department diagnose and fix the issue. Repairs will be made and the product will be returned and shipped back to the purchaser at no charge.

THIS LIMITED WARRANTY DOES NOT APPLY TO ACCESSORY ITEMS THAT WEAR OUT FROM REGULAR USAGE OVER TIME INCLUDING BELTS, BRUSHES, BLADES, ETC. ANY IMPLIED WARRANTIES SHALL BE LIMITED IN DURATION TO TWO (2) YEARS FROM DATE OF PURCHASE. SOME STATES IN THE U.S., SOME CANADIAN PROVINCES DO NOT ALLOW LIMITATIONS ON HOW LONG AN IMPLIED WARRANTY LASTS, SO THE ABOVE LIMITATION MAY NOT APPLY TO YOU.

IN NO EVENT SHALL SELLER BE LIABLE FOR ANY INCIDENTAL OR CONSEQUENTIAL DAMAGES (INCLUDING BUT NOT LIMITED TO LIABILITY FOR LOSS OF PROFITS) ARISING FROM THE SALE OR USE OF THIS PRODUCT. SOME STATES IN THE U.S. AND SOME CANADIAN PROVINCES DO NOT ALLOW THE EXCLUSION OR LIMITATION OF INCIDENTAL OR CONSEQUENTIAL DAMAGES, SO THE ABOVE LIMITATION OR EXCLUSION MAY NOT APPLY TO YOU.

THIS LIMITED WARRANTY GIVES YOU SPECIFIC LEGAL RIGHTS, AND YOU MAY ALSO HAVE OTHER RIGHTS WHICH VARY FROM STATE TO STATE IN THE U.S., PROVINCE TO PROVINCE IN CANADA AND FROM COUNTRY TO COUNTRY.

THIS LIMITED WARRANTY APPLIES ONLY TO PORTABLE ELECTRIC TOOLS, BENCH POWER TOOLS, OUTDOOR POWER EQUIPMENT AND PNEUMATIC TOOLS SOLD WITHIN THE UNITED STATES OF AMERICA, CANADA AND THE COMMONWEALTH OF PUERTO RICO. FOR WARRANTY COVERAGE WITHIN OTHER COUNTRIES, CONTACT THE WEN CUSTOMER SUPPORT LINE.