



WOODWORKING DUST COLLECTOR

FM300

C US
184841

For replacement parts visit
WENPRODUCTS.COM



Model # 3403
bit.ly/wenvideo


IMPORTANT:

Your new tool has been engineered and manufactured to WEN's highest standards for dependability, ease of operation, and operator safety. When properly cared for, this product will supply you years of rugged, trouble-free performance. Pay close attention to the rules for safe operation, warnings, and cautions. If you use your tool properly and for intended purpose, you will enjoy years of safe, reliable service.



NEED HELP? CONTACT US!

Have product questions? Need technical support?
Please feel free to contact us at:

 **800-232-1195** (M-F 8AM-5PM CST)

 techsupport@wenproducts.com

 **WENPRODUCTS.COM**

NOTICE: Please refer to wenproducts.com for the most up-to-date instruction manual.

TABLE OF CONTENTS

Technical Data	2
General Safety Rules	3
Specific Safety Rules for Dust Collectors	4
Electrical Information	5
Unpacking	6
Assembly	7
Operation	10
Maintenance	11
Parts List & Exploded View.....	12
Warranty	14

TECHNICAL DATA

Model Number:	3403
Motor:	120V, 60Hz, 16A, 1500W
Motor Speed:	3450 RPM
Impeller Diameter:	11.8 in. (300 mm)
Number of Inlet Holes:	2
Inlet Hole Diameter:	4 in. (125 mm)
Air Suction Capacity:	1,500 CFM
Collection Bag Capacity:	50 Gallons
Filter Bag Rating:	5 Microns
Assembled Dimensions:	33.5 x 22 x 73.2 in.
Product Net Weight:	95 pounds

Replacement collection bags (Part No. 3403-036) and other replacement parts can be purchased from wenproducts.com

GENERAL SAFETY RULES

Safety is a combination of common sense, staying alert and knowing how your item works.

SAVE THESE SAFETY INSTRUCTIONS.



WARNING! Read all safety warnings and all instructions. Failure to follow the warnings and instructions may result in electric shock, fire and serious injury. To avoid mistakes and serious injury, do not plug in your tool until the following steps have been read and understood.

WORK AREA SAFETY

1. Keep work area clean and well lit. Cluttered or dark areas invite accidents. Do not work on floor surfaces that are slippery with sawdust or wax. Keep the ground clear of tripping hazards.
2. Do not operate power tools in explosive atmospheres, such as in the presence of flammable liquids, gases or dust. Power tools create sparks which may ignite the dust or fumes.
3. Keep bystanders at a safe distance from the work area. Never allow children or pets near the tool.

ELECTRICAL SAFETY

1. Do not expose power tools to rain or wet conditions. Water entering a power tool will increase the risk of electric shock.
2. Power tool plugs must match the outlet. Never modify the plug in any way. Modified plugs with non-matching outlets will increase the risk of electric shock.
3. Check all power supplies periodically. Do not use defective cords. Damaged or entangled cords increase the risk of electric shock. Never use the cord for carrying, pulling or unplugging the power tool. Keep cord away from heat, oil, sharp edges or moving parts.

PERSONAL SAFETY

1. Stay alert. Watch what you are doing and use common sense when operating a power tool. Do not use a power tool while you are tired or under the influence of drugs, alcohol or medication. A moment of inattention while operating power tools may result in serious personal injury.
2. Do not wear loose clothing, gloves, neckties, or jewelry (rings, watches, etc.) when operating the tool. Inappropriate clothing and items can get caught in moving parts and draw you in. Always wear non-slip footwear and tie back long hair.
3. Use personal protective equipment. Always wear safety goggles at all times that comply with ANSI Z87.1. Use ear protection such as plugs or muffs during extended periods of operation. Wear work gloves to protect your hands. Wear a face mask or dust mask to fight the dust.
4. Keep proper footing and balance at all times and do not overreach when operating the power tool.



WARNING: Dust generated from certain materials can be hazardous to your health. Always operate the tool in a well-ventilated area and wear a dust mask. Use dust collection systems when processing wood and plastics. Dust extractors or dust bags must not be connected when processing metals.

GENERAL SAFETY RULES

POWER TOOL USE AND CARE

1. Avoid accidental start-ups. Make sure the power switch is in the OFF position before connecting the plug to a power source or carrying the tool.
2. Check power tool for damaged parts. Check for misalignment of moving parts, jamming, breakage, improper mounting, or any other conditions that may affect the tool's operation. Do not use the power tool if the switch does not turn ON/OFF. Any part that is damaged should be properly repaired or replaced before use.
3. Do not force the tool to do a job for which it was not designed. Use the correct power tool and accessories and follow the instructions for your application to prevent hazardous situations.
4. Remove adjustment tools. Always make sure all adjustment tools or wrenches are removed from the tool before turning on the power tool.
5. Keep guards in place and in working order before operating the tool. All protection and safety devices must be in place after completing repair and maintenance procedures.
6. Never leave a running tool unattended. Do not leave the tool until it has come to a complete stop.

POWER TOOL MAINTENANCE

1. Always disconnect the power cord plug from the electrical outlet when making adjustments, changing parts, or storing power tools. Such preventive safety measures reduce the risk of starting the power tool accidentally.
2. Maintain power tools properly. Safely store power tools out of the reach of children. Always keep tools clean and in good working order. Follow instructions for lubricating and changing accessories.
3. Only have your power tool serviced by a qualified repair person using only identical replacement parts. Use of any other part can cause personal injury and damage to the tool.

SPECIFIC RULES FOR YOUR DUST COLLECTOR

1. This dust collector is intended only for collecting wood dust and chips from woodworking machines. Do not use dust collector for anything except wood dust. Material such as liquids, aerosols, metal dust, screw, glass, plastic or rock can cause sparks when coming into contact with any part of the collection system.
2. Dust created while using machinery may cause cancer, birth defects, or long-term respiratory damage. Be aware of dust hazards associated with each workpiece materials, and always wear a NIOSH-approved respirator.
3. Do not place your hands, lumber or tools near the inlet opening while machine is plugged in or during operation. Keep animals and children away from open dust collection inlets.
4. Regularly check and empty the collection bag to avoid the buildup of fine dust that can increase the risk of fire. Regularly clean the surrounding area of the machine -- excessive dust buildup on heat sources such as overhead lights and electrical panels will increase the risk of fire.
5. Always wear respirator and safety glasses when removing, emptying or replacing collection bags. Empty dust away from ignition sources and into an approved container.

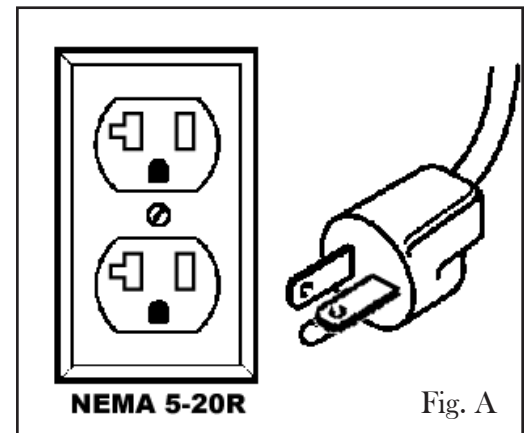
ELECTRICAL INFORMATION

POWER SUPPLY PREPARATION

Before installing the machine, check the availability and proximity of the required power supply circuit. This dust collector has a rated amperage of 16A, but the starting amperage may spike up to 80A for a short moment. The tool has a built-in 25A overload protector to protect the motor. To prevent tripping your electrical circuit, the fuse rating of your circuit must be **HIGHER** than 25A. The power plug should be plugged into a matching NEMA 5-20R outlet as shown in Fig. A, with a fuse rating higher than 25A.

Only one machine should be connected to a dedicated circuit. Always check local code for wiring outlets that are 25 amps and above. Consult an experienced electrician for details.

If your existing circuit does not meet the requirements for this machine, a new circuit must be installed. To minimize the risk of electrocution, fire, or equipment damage, installation work and electrical wiring must be done by an electrician or qualified service personnel in accordance with all applicable codes and standards.



Before connecting the tool to the power line, make sure the switch is in the OFF position and the electric current is rated the same as the current stamped on the motor nameplate. Running at a lower voltage will damage the motor.

GROUNDING INSTRUCTIONS

In the event of a malfunction or breakdown, grounding provides the path of least resistance for an electric current and reduces the risk of electric shock. This tool is equipped with an electric cord that has an equipment grounding conductor and a grounding plug. The plug **MUST** be plugged into a matching outlet that is properly installed and grounded in accordance with **ALL** local codes and ordinances.



CAUTION: No adapter should be used with the required plug. If the plug does not fit the available receptacle, or the machine must be reconnected for use on a different type of circuit, the reconnection must be made by a qualified electrician and comply with all local codes and ordinances.

GUIDELINES FOR USING EXTENSION CORDS

We do not recommend using an extension cord with this machine. If you must use an extension cord, only use it if absolutely necessary and only on a temporary basis.

Make sure your extension cord is heavy enough to carry the current your product will draw. An undersized cord will cause a drop in line voltage resulting in loss of power and overheating. When in doubt, use a heavier cord. The smaller the gauge number, the heavier the cord. Consult a qualified electrician to ensure that the extension cord is properly sized for safe operation.

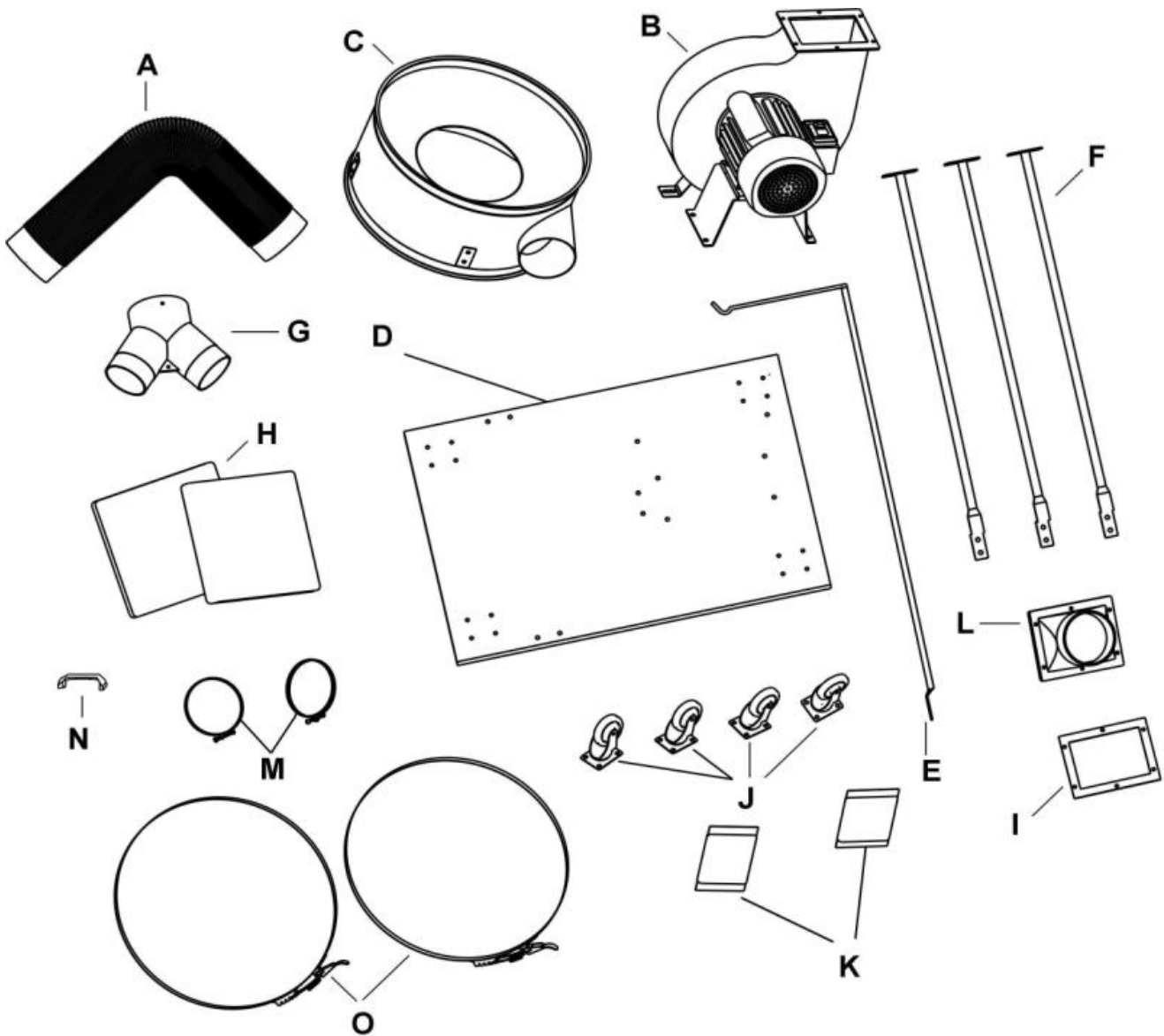
Make sure your extension cord is properly wired and in good condition. Always replace a damaged extension cord or have it repaired by a qualified person before using it. Protect your extension cords from sharp objects, excessive heat and damp/wet areas.



WARNING: To avoid electrocution, do not use in wet or damp areas or expose to rain.

UNPACKING

Carefully unpack and remove all contents from the packaging. Identify all parts according to the chart below. If any part is damaged or missing, please contact our customer service at (800) 232-1195, M-F 8-5 CST or email us at techsupport@wenproducts.com.



COMPONENTS

- | | | | |
|----|--|----|--------------------|
| A. | Hose | I. | Outlet Gasket |
| B. | Motor Assembly | J. | Swivel Casters (4) |
| C. | Collector | K. | Hardware Bag |
| D. | Base Plate | L. | Outlet |
| E. | Upper Support Pole | M. | Hose Clamps (2) |
| F. | Lower Support Poles (3) | N. | Handle |
| G. | 4-inch Inlet Adapter | O. | Bag Clamps (2) |
| H. | Collection Bag (clear)
and 5-Micon Filter Bag (white) | | |

ASSEMBLY



WARNING: Do not attempt to plug in or operate your tool until the entire operator's manual has been read and understood. Failure to do so could result in personal injury and damage to the tool.

1. ASSEMBLING THE CASTERS

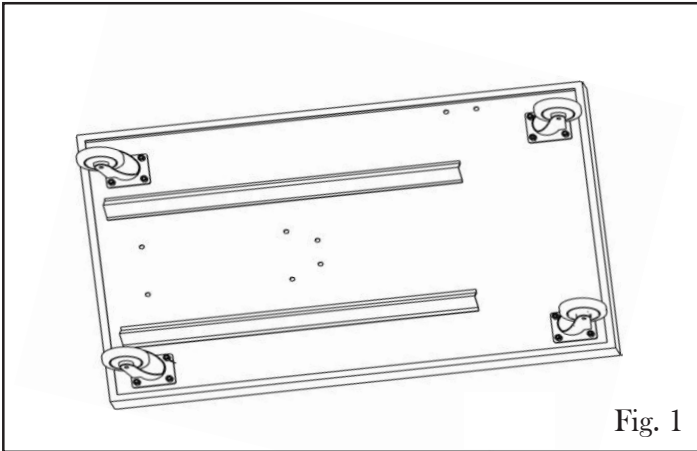


Fig. 1

Place the base plate (D) upside down on a flat surface. Install the 4 casters in the following configuration: M6x10 Phillips screw, M6 washer, base plate, caster (J) and M6 nut. Tighten the nuts and make sure all casters are properly installed and can swivel freely.

2. ATTACHING THE MOTOR ASSEMBLY

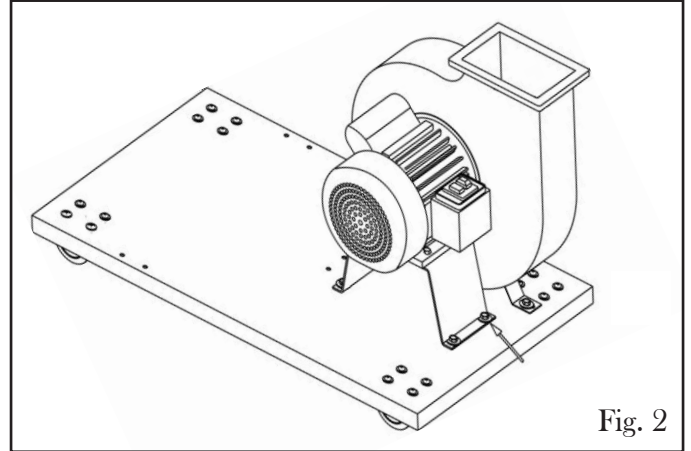


Fig. 2

Turn the base (D) over and align the motor assembly (B) with the holes on the base as shown. Secure the motor assembly using M8x16 hex screws, M8 washers and M8 nuts.

3. INSTALLING THE OUTLET

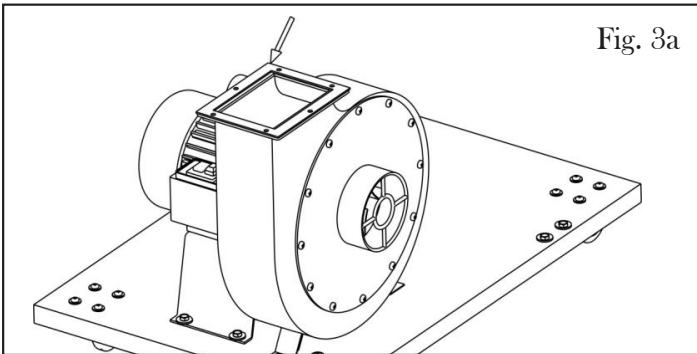


Fig. 3a

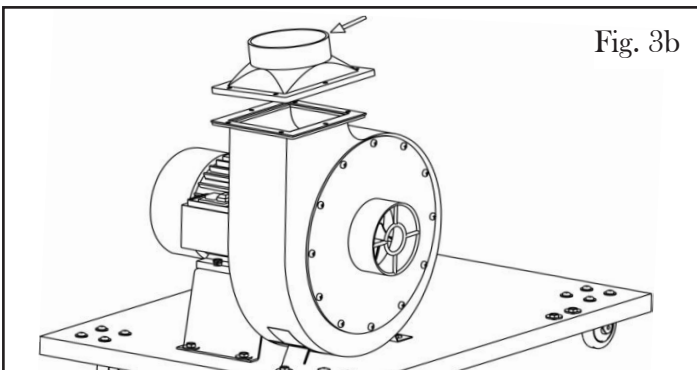


Fig. 3b

Position the outlet gasket (I) on top of the motor assembly and align the holes as shown. Place the outlet (L) over the gasket and secure it with M6x20 hex screws, M6 washers and M6 Nuts.

4. INSTALLING THE SUPPORT POLES

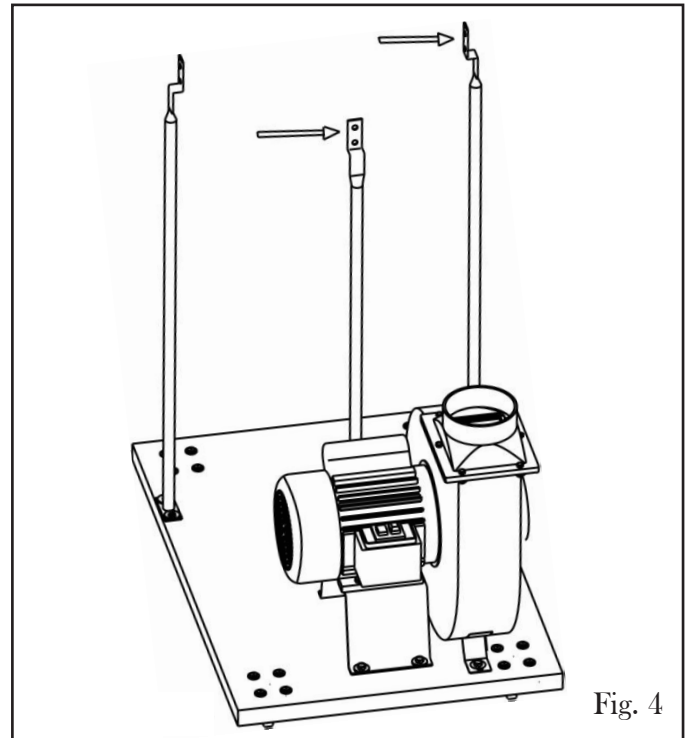
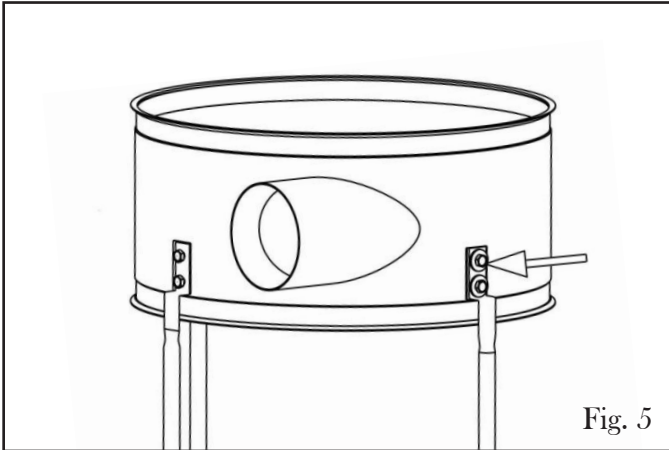


Fig. 4

Mount the three lower bag support poles (F) to the base in the configuration as shown. Secure the poles with M8x16 hex screws and M8 washers.

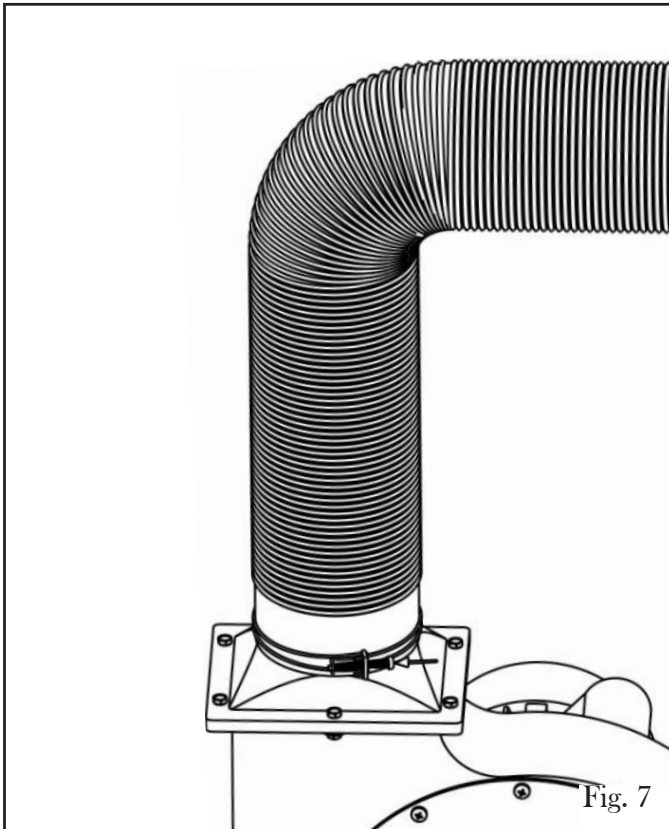
ASSEMBLY

5. ASSEMBLING THE COLLECTOR



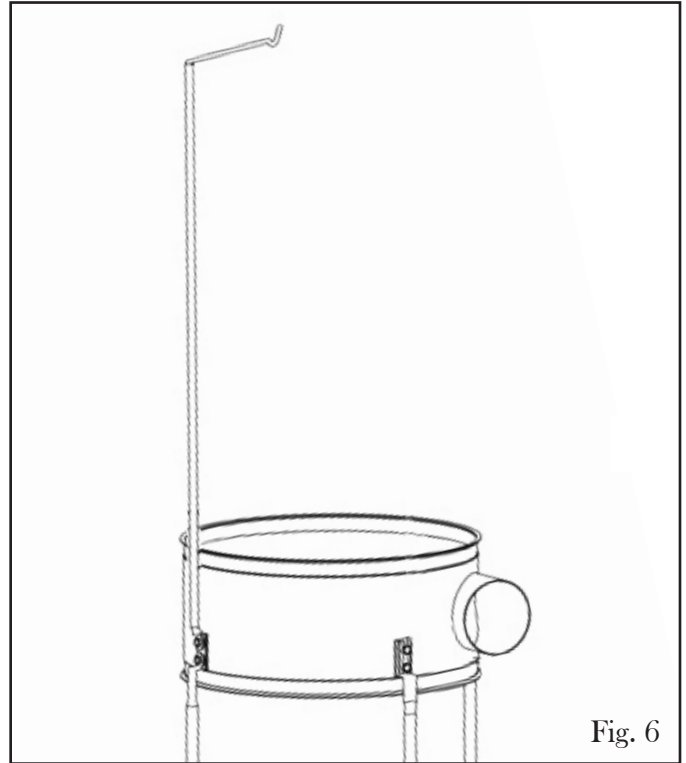
Mount the collector (C) onto the two poles in the front as shown. Make sure that the side port of the collector is facing the motor assembly to prepare it for hose connection in Step 7. Secure them with M8x16 hex screws and M8 washers.

7. CONNECTING THE HOSE



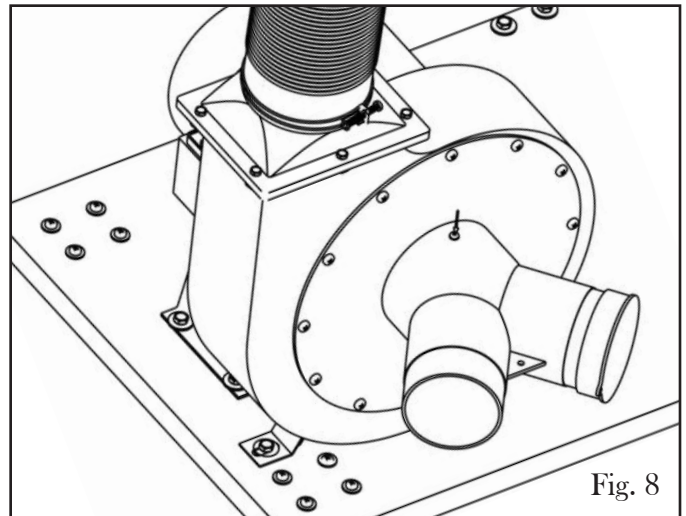
Attach one end of the hose (A) to the motor assembly outlet and attach the other end to the collector outlet. Secure the two ends of the hose with the hose clamps (M) as shown.

6. INSTALL THE UPPER SUPPORT POLE



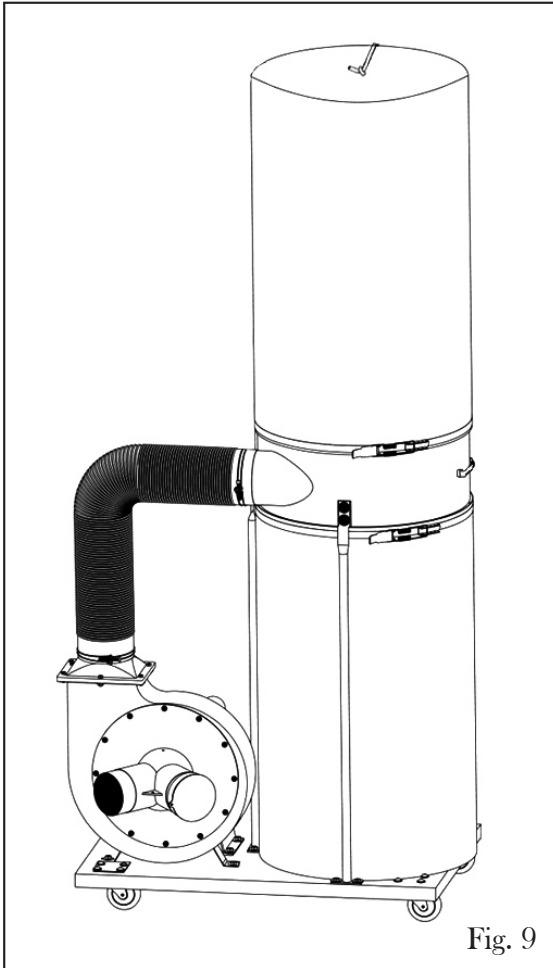
The upper bag support pole (E) will be installed in the position overlapping the third bottom pole as shown. Secure both poles onto the collector using M8x16 hex screws and M8 washers.

8. INSTALLING THE INLET CONNECTOR



Attach the inlet connector (G) onto the inlet port of the motor assembly. Align the hole on the connector with the hole on the top of the inlet port and secure using a cap screw.

ASSEMBLY



9. INSTALLING THE FILTER BAG

Hang the filter bag (white) onto the hook of the upper bag support pole. Attach the bag over the top opening of the collector. Secure it with a bag clamp (O).

10. INSTALLING THE COLLECTION BAG

Attach the plastic collection bag over the bottom opening of the collector around the rubber strip. Bag clips are located around the collector to assist in holding up the collection bag. The clips are placed slightly above the legs so that the bag can be held at the suitable height. Simply lift the metal plate of the clips and tuck in the bag. Then, use the second bag clamp (O) to secure the bag all the way around the collector.

11. INSTALLING THE HANDLE

Install the handle (N) onto the back of the collector using M8x20 hex screws as shown.

NOTE: When transporting the dust collector, only pull on the handle. **DO NOT** use the support poles for transportation purposes as they are not designed for pulling and might come loose.

Your dust collector is now ready to be placed into service. Before connecting to a power source, be sure the power source is properly grounded and is of proper voltage and amperage (See page 5, Electrical Information).

OPERATION



WARNING: To prevent serious injury, make sure all the warnings and instructions have been read and understood before operating this tool.



WARNING: Wear appropriate respirator or dust mask and safety glasses when operating the machine. Small dust particles can escape from the filter bag, causing them to become airborne and easily inhaled. This microscopic airborne dust is extremely unhealthy to breathe and can cause health problems.

1. Connect the dust collector to your woodworking machine using a 4-inch dust collection hose (not included). Adaptors may be needed depending the dust port size of your machine.
2. When starting the machine, the amperage may spike up to 80 amps for a short moment and this can risk tripping the electrical circuit. Be sure to both inlet ports are covered before starting the machine. The least amount of power will be drawn when there is no air flow.
3. Make sure the dust collector switch is turned off and insert the power plug into a matching receptacle. Then, switch on the dust collector and start operating your woodworking machine.

REPLACING THE COLLECTION BAG

Empty the collection bag on a regular basis. This will allow the machine to operate at its maximum efficiency. Replacement collection bags can be purchased from wenproducts.com by searching the part number 3403-036.



WARNING: Always wear the appropriate respirator or dust mask and safety glasses when emptying the collection bags. Small dust particles can escape, causing them to become airborne and easily inhaled. This microscopic airborne dust is extremely unhealthy to breathe and can cause health problems.

1. Disconnect the machine from the power outlet. Make sure you are wearing a respirator or dust mask, and safety glasses.
2. Release the belt clamp securing the collection bag, then remove the bag from the collector.
3. Securely close the top of the bag and safely dispose of it according to local and federal standards.
4. Install a new collection bag.

MAINTENANCE



WARNING: Always ensure that the tool is switched off and the plug is removed from the outlet before making any cleaning, adjustments or maintenance procedures. Servicing of the tool must be performed by a qualified technician.

1. Before each use, inspect the general condition of the tool. Check for:

- Loose hardware,
- Misalignment or binding of moving parts,
- Damaged cord/electrical wiring,
- Cracked or broken parts, and
- Any other condition that may affect its safe operation.

1. Regularly clean dust, chips and other particles from the machine. If operation is excessively dusty or dirty, frequent inspection of motor is required. Vacuum any particles that may have entered the motor.

2. Inspect the machine for any damaged or worn parts. Replace any damaged parts immediately for safe and efficient operation. Frequently check that all nuts, bolts, screws have not loosened due to vibration.

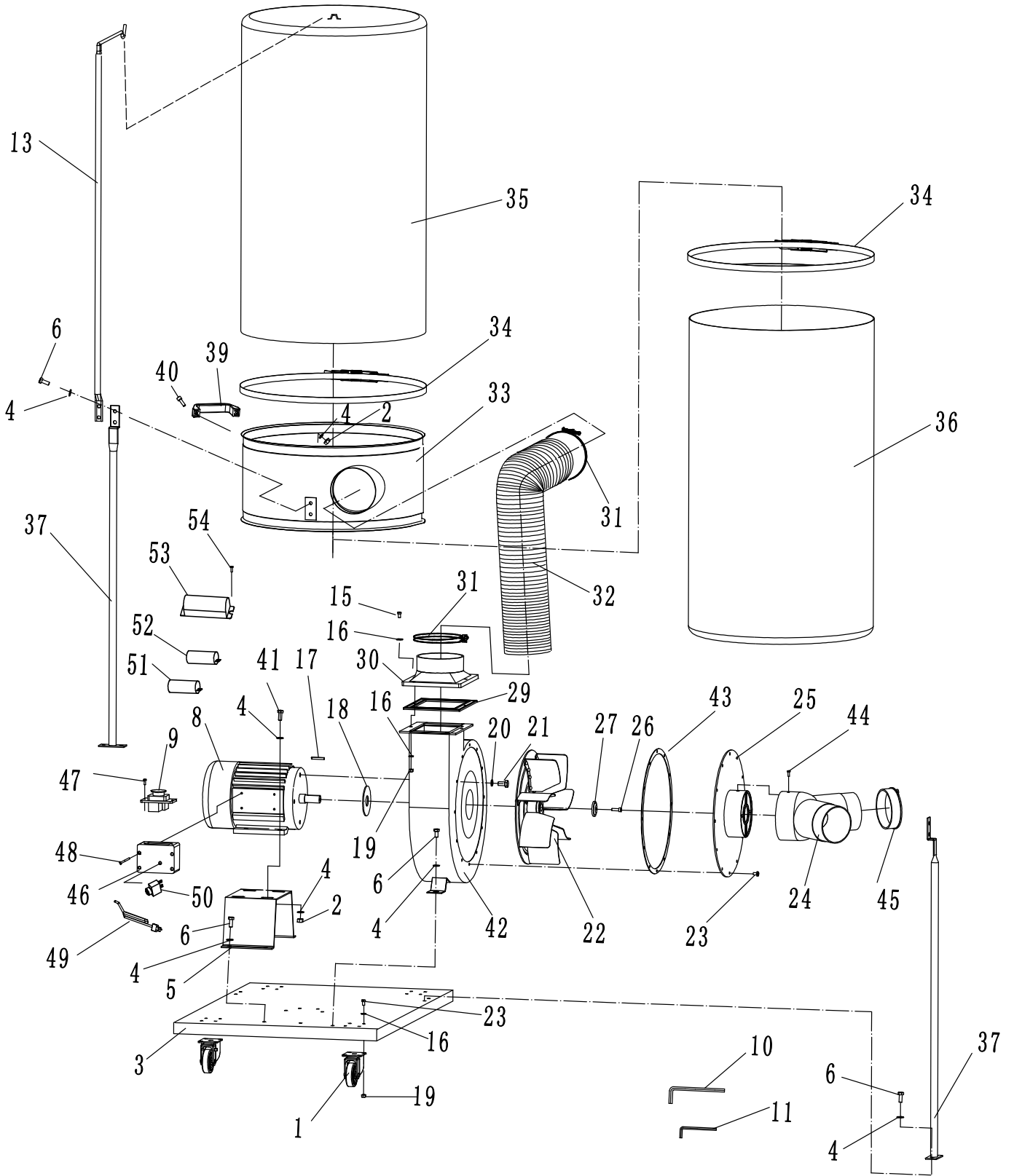
3. Regularly check and empty the collection bag. Always wear respirator and safety glasses when removing, emptying or replacing collection bags. Empty dust away from ignition sources and into an approved container.

4. Store the tool in a clean and dry place away from the reach of children.

PRODUCT DISPOSAL

Used power tools should not be disposed of together with household waste. This product contains electronic components that should be recycled. Please take this product to your local recycling facility for responsible disposal and to minimize its environmental impact.

EXPLODED VIEW AND PARTS LIST



EXPLODED VIEW AND PARTS LIST

No.	Parts No.	Description	Qty.
1	3403-001	Caster	4
2	3403-002	Nut M8	6
3	3403-003	Base Plate	1
4	3403-004	Washer ø8	28
5	3403-005	Motor Base	1
6	3403-006	Hex Screw M8x16	18
8	3403-008	Motor	1
9	3403-009	Switch	1
10	3403-010	Hex Wrench M6 (for No. 40)	1
11	3403-011	Hex Wrench M5 (for No. 26)	1
13	3403-013	Upper Bag Support	1
15	3403-015	Hex Screw M6x20	6
16	3403-016	Washer ø6	28
17	3403-017	Key A5x25	1
18	3403-018	Packing	1
19	3403-019	Nut M6	22
20	3403-020	Spring Washer ø10	4
21	3403-021	Hex Screw M10x16	4
22	3403-022	Turbo Fan	1
23	3403-023	Screw M6x10	28
24	3403-024	Inlet	1
25	3403-025	Inlet Cover	1
26	3403-026	Hex Screw M6x20 (left)	1
27	3403-027	Washer	1
29	3403-029	Outlet Gasket	1

No.	Parts No.	Description	Qty.
30	3403-030	Outlet	1
31	3403-031	Hose Clamp	2
32	3403-032	Hose ø125x75mm	1
33	3403-033	Collector	1
34	3403-034	Bag Clamp	2
35	3403-035	Filter Bag	1
36	3403-036	Collector Bag	1
37	3403-037	Collector Support	3
39	3403-039	Handle	1
40	3403-040	Hex Screw M8x20	2
41	3403-041	Hex Screw M8x25	4
42	3403-042	Fan Housing	1
43	3403-043	Packing	1
44	3403-044	Cap Screw	1
45	3403-045	Cover	1
46	3403-046	Switch Box	1
47	3403-047	Screw ST4.2x13	2
48	3403-048	Screw ST4x60	4
49	3403-049	Plug and Cord	1
50	3403-050	Current Overload Protector	1
51	3403-051	Capacitor 1 (80uf/250V)	1
52	3403-052	Capacitor 2 (400uf/125V)	1
53	3403-053	Capacitor Cover	2
54	3403-054	Screw	4

NOTE: Parts that wear down over the course of normal use are not covered by the two-year warranty. Repairs and replacements should only be performed by an authorized technician.

LIMITED TWO YEAR WARRANTY

WEN Products is committed to building tools that are dependable for years. Our warranties are consistent with this commitment and our dedication to quality.

LIMITED WARRANTY OF WEN CONSUMER POWER TOOLS PRODUCTS FOR HOME USE

GREAT LAKES TECHNOLOGIES, LLC (“Seller”) warrants to the original purchaser only, that all WEN consumer power tools will be free from defects in material or workmanship for a period of two (2) years from date of purchase. Ninety days for all WEN products, if the tool is used for professional use.

SELLER’S SOLE OBLIGATION AND YOUR EXCLUSIVE REMEDY under this Limited Warranty and, to the extent permitted by law, any warranty or condition implied by law, shall be the repair or replacement of parts, without charge, which are defective in material or workmanship and which have not been misused, carelessly handled, or misrepaired by persons other than Seller or Authorized Service Center. To make a claim under this Limited Warranty, you must make sure to keep a copy of your proof of purchase that clearly defines the Date of Purchase (month and year) and the Place of Purchase. Place of purchase must be a direct vendor of Great Lakes Technologies, LLC. Third party vendors such as garage sales, pawn shops, resale shops, or any other secondhand merchant void the warranty included with this product. Contact techsupport@wenproducts.com or 1-800-232-1195 to make arrangements for repairs and transportation.

When returning a product for warranty service, the shipping charges must be prepaid by the purchaser. The product must be shipped in its original container (or an equivalent), properly packed to withstand the hazards of shipment. The product must be fully insured with a copy of the warranty card and/or the proof of purchase enclosed. There must also be a description of the problem in order to help our repairs department diagnose and fix the issue. Repairs will be made and the product will be returned and shipped back to the purchaser at no charge.

THIS LIMITED WARRANTY DOES NOT APPLY TO ACCESSORY ITEMS THAT WEAR OUT FROM REGULAR USAGE OVER TIME INCLUDING BELTS, BRUSHES, BLADES, ETC.

ANY IMPLIED WARRANTIES SHALL BE LIMITED IN DURATION TO TWO (2) YEARS FROM DATE OF PURCHASE. SOME STATES IN THE U.S., SOME CANADIAN PROVINCES DO NOT ALLOW LIMITATIONS ON HOW LONG AN IMPLIED WARRANTY LASTS, SO THE ABOVE LIMITATION MAY NOT APPLY TO YOU.

IN NO EVENT SHALL SELLER BE LIABLE FOR ANY INCIDENTAL OR CONSEQUENTIAL DAMAGES (INCLUDING BUT NOT LIMITED TO LIABILITY FOR LOSS OF PROFITS) ARISING FROM THE SALE OR USE OF THIS PRODUCT. SOME STATES IN THE U.S. AND SOME CANADIAN PROVINCES DO NOT ALLOW THE EXCLUSION OR LIMITATION OF INCIDENTAL OR CONSEQUENTIAL DAMAGES, SO THE ABOVE LIMITATION OR EXCLUSION MAY NOT APPLY TO YOU.

THIS LIMITED WARRANTY GIVES YOU SPECIFIC LEGAL RIGHTS, AND YOU MAY ALSO HAVE OTHER RIGHTS WHICH VARY FROM STATE TO STATE IN THE U.S., PROVINCE TO PROVINCE IN CANADA AND FROM COUNTRY TO COUNTRY.

THIS LIMITED WARRANTY APPLIES ONLY TO PORTABLE ELECTRIC TOOLS, BENCH POWER TOOLS, OUTDOOR POWER EQUIPMENT AND PNEUMATIC TOOLS SOLD WITHIN THE UNITED STATES OF AMERICA, CANADA AND THE COMMONWEALTH OF PUERTO RICO. FOR WARRANTY COVERAGE WITHIN OTHER COUNTRIES, CONTACT THE WEN CUSTOMER SUPPORT LINE.

**THANKS FOR
REMEMBERING**

