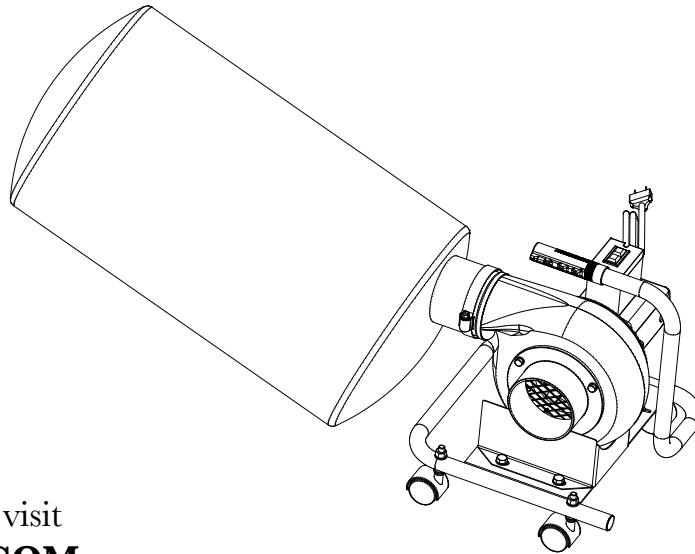




DUST COLLECTOR



FM150



For replacement parts visit
WENPRODUCTS.COM

Model # 3401
bit.ly/wenvideo

IMPORTANT:

Your new tool has been engineered and manufactured to WEN's highest standards for dependability, ease of operation, and operator safety. When properly cared for, this product will supply you years of rugged, trouble-free performance. Pay close attention to the rules for safe operation, warnings, and cautions. If you use your tool properly and for intended purpose, you will enjoy years of safe, reliable service.



NEED HELP? CONTACT US!

Have product questions? Need technical support?
Please feel free to contact us at:



800-232-1195 (M-F 8AM-5PM CST)



techsupport@wenproducts.com



WENPRODUCTS.COM

NOTICE: Please refer to wenproducts.com for the most up-to-date instruction manual.

TABLE OF CONTENTS

Technical Data	2
General Safety Rules	3
Specific Rules for Dust Collectors	4
Electrical Information	5
Unpacking	6
Know Your Dust Collector	6
Assembly	7
Operation	8
Maintenance	8
Warranty Statement	9
Exploded View & Parts List	10

TECHNICAL DATA

Model Number:	3401
Motor:	120V, 60Hz, 5.7A
Motor Speed:	4500 RPM
Air Suction Capacity:	660 CFM
Impeller Diameter:	6 in. (152.4 mm)
Inlet Hole Diameter:	4 in. (100 mm)
Collection Bag Capacity:	12 Gallons
Collection Bag Filtration Rating:	35 Microns
Noise Rating (at 22 feet):	71 dBA
Assembled Dimensions:	34.25 x 13 x 14.2 in.
Product Net Weight:	18.5 pounds

Compatible with the WEN 28200 10-foot Dust Hose and
the WEN 28221 20-foot Dust Hose

GENERAL SAFETY RULES

Safety is a combination of common sense, staying alert and knowing how your item works.

SAVE THESE SAFETY INSTRUCTIONS.



WARNING! Read all safety warnings and all instructions. Failure to follow the warnings and instructions may result in electric shock, fire and serious injury. To avoid mistakes and serious injury, do not plug in your tool until the following steps have been read and understood.

WORK AREA SAFETY

1. Keep work area clean and well lit. Cluttered or dark areas invite accidents. Do not work on floor surfaces that are slippery with sawdust or wax. Keep the ground clear of tripping hazards.
2. Do not operate power tools in explosive atmospheres, such as in the presence of flammable liquids, gases or dust. Power tools create sparks which may ignite the dust or fumes.
3. Keep bystanders at a safe distance from the work area. Never allow children or pets near the tool.

ELECTRICAL SAFETY

1. Do not expose power tools to rain or wet conditions. Water entering a power tool will increase the risk of electric shock.
2. Power tool plugs must match the outlet. Never modify the plug in any way. Modified plugs with non-matching outlets will increase the risk of electric shock.
3. Check all power supplies periodically. Do not use defective cords. Damaged or entangled cords increase the risk of electric shock. Never use the cord for carrying, pulling or unplugging the power tool. Keep cord away from heat, oil, sharp edges or moving parts.

PERSONAL SAFETY

1. Stay alert. Watch what you are doing and use common sense when operating a power tool. Do not use a power tool while you are tired or under the influence of drugs, alcohol or medication. A moment of inattention while operating power tools may result in serious personal injury.
2. Do not wear loose clothing, gloves, neckties, or jewelry (rings, watches, etc.) when operating the tool. Inappropriate clothing and items can get caught in moving parts and draw you in. Always wear non-slip footwear and tie back long hair.
3. Use personal protective equipment. Always wear safety goggles at all times that comply with ANSI Z87.1. Use ear protection such as plugs or muffs during extended periods of operation. Wear work gloves to protect your hands. Wear a face mask or dust mask to fight the dust.
4. Keep proper footing and balance at all times and do not overreach when operating the power tool.



WARNING: Dust generated from certain materials can be hazardous to your health. Always operate the tool in a well-ventilated area and wear a dust mask. Use dust collection systems when processing wood and plastics. Dust extractors or dust bags must not be connected when processing metals.

GENERAL SAFETY RULES

POWER TOOL USE AND CARE

1. Avoid accidental start-ups. Make sure the power switch is in the OFF position before connecting the plug to a power source or carrying the tool.
2. Check power tool for damaged parts. Check for misalignment of moving parts, jamming, breakage, improper mounting, or any other conditions that may affect the tool's operation. Do not use the power tool if the switch does not turn ON/OFF. Any part that is damaged should be properly repaired or replaced before use.
3. Do not force the tool to do a job for which it was not designed. Use the correct power tool and accessories and follow the instructions for your application to prevent hazardous situations.
4. Remove adjustment tools. Always make sure all adjustment tools or wrenches are removed from the tool before turning on the power tool.
5. Keep guards in place and in working order before operating the tool. All protection and safety devices must be in place after completing repair and maintenance procedures.
6. Never leave a running tool unattended. Do not leave the tool until it has come to a complete stop.

POWER TOOL MAINTENANCE

1. Always disconnect the power cord plug from the electrical outlet when making adjustments, changing parts, or storing power tools. Such preventive safety measures reduce the risk of starting the power tool accidentally.
2. Maintain power tools properly. Safely store power tools out of the reach of children. Always keep tools clean and in good working order. Only have your power tool serviced by a qualified repair person using only identical replacement parts. Use of any other part can cause personal injury and damage to the tool.

SPECIFIC RULES FOR DUST COLLECTORS

1. This dust collector is intended only for collecting wood dust and chips from woodworking machines. Do not use dust collector for anything except wood dust. Material such as liquids, aerosols, metal dust, screws, glass, plastic or rock can cause sparks when coming into contact with any part of the collection system.
2. Never allow steel to come into contact with impeller. Impact with any hard material may result in sparks which may cause fire. Be mindful of any situation that results in a risk of fire.
3. Dust created while using machinery may cause cancer, birth defects, or long-term respiratory damage. Be aware of dust hazards associated with each workpiece materials, and always wear a NIOSH-approved respirator.
4. Do not place your hands, lumber or tools near the inlet opening while machine is plugged in or during operation. Keep animals and children away from open dust collection inlets.
5. Regularly check and empty the collection bags to avoid the buildup of fine dust that can increase the risk of fire. Regularly clean the surrounding area of the machine. Excessive dust buildup on heat sources such as overhead lights and electrical panels will increase the risk of fire.
6. Always wear respirator and safety glasses when removing, emptying or replacing collection bags. Empty dust away from ignition sources and into a suitable container.

ELECTRICAL INFORMATION

GROUNDING INSTRUCTIONS

IN THE EVENT OF A MALFUNCTION OR BREAKDOWN, grounding provides the path of least resistance for an electric current and reduces the risk of electric shock. This tool is equipped with an electric cord that has an equipment grounding conductor and a grounding plug. The plug **MUST** be plugged into a matching outlet that is properly installed and grounded in accordance with ALL local codes and ordinances.

DO NOT MODIFY THE PLUG PROVIDED. If it will not fit the outlet, have the proper outlet installed by a licensed electrician.

IMPROPER CONNECTION of the equipment grounding conductor can result in electric shock. The conductor with the green insulation (with or without yellow stripes) is the equipment grounding conductor. If repair or replacement of the electric cord or plug is necessary, **DO NOT** connect the equipment grounding conductor to a live terminal.

CHECK with a licensed electrician or service personnel if you do not completely understand the grounding instructions or whether the tool is properly grounded.

USE ONLY THREE-WIRE EXTENSION CORDS that have three-pronged plugs and outlets that accept the tool's plug as shown in Fig. A. Repair or replace a damaged or worn cord immediately.

CAUTION: In all cases, make certain the outlet in question is properly grounded. If you are not sure, have a licensed electrician check the outlet.

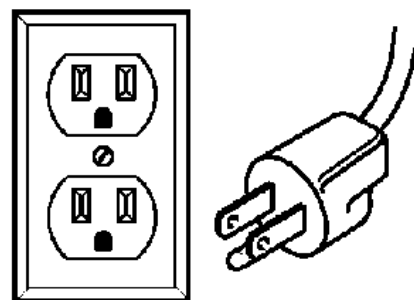


Fig. A

WARNING: This tool is for indoor use only. Do not expose to rain or use in damp locations.

GUIDELINES AND RECOMMENDATIONS FOR EXTENSION CORDS

Make sure your extension cord is in good condition. When using an extension cord, be sure to use one heavy enough to carry the current your product will draw. An undersized cord will cause a drop in line voltage resulting in loss of power and overheating. The table below shows the correct size to be used according to cord length and nameplate ampere rating. When in doubt, use a heavier cord. The smaller the gauge number, the heavier the cord.

Make sure your extension cord is properly wired and in good condition. Always replace a damaged extension cord or have it repaired by a qualified person before using it.

AMPERAGE	REQUIRED GAUGE FOR EXTENSION CORDS			
	25 ft.	50 ft.	100 ft.	150 ft.
6.8A	18 gauge	16 gauge	14 gauge	12 gauge

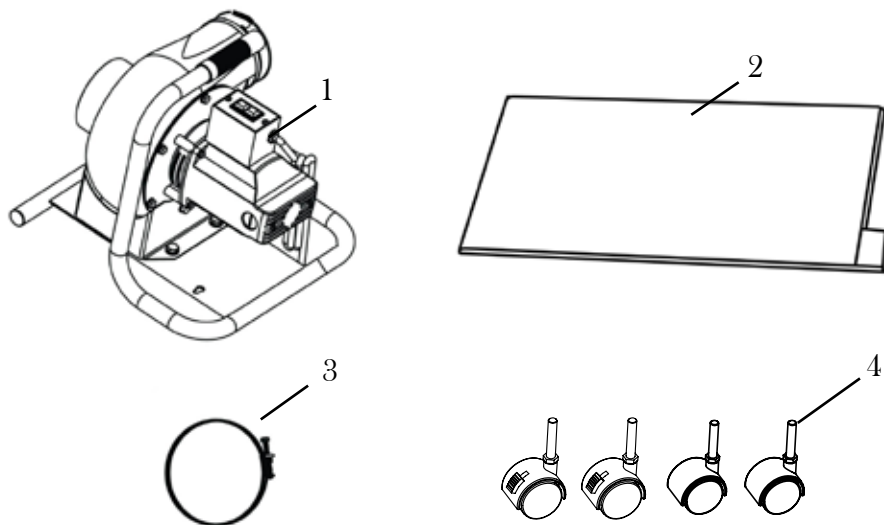
Protect your extension cords from sharp objects, excessive heat and damp/wet areas.

Use a separate electrical circuit for your tools. This circuit must not be less than a #12 wire and should be protected with a 15 A time-delayed fuse. Before connecting the motor to the power line, make sure the switch is in the OFF position and the electric current is rated the same as the current stamped on the motor nameplate. Running at a lower voltage will damage the motor.

WARNING: This tool must be grounded while in use to protect the operator from electric shock.

UNPACKING

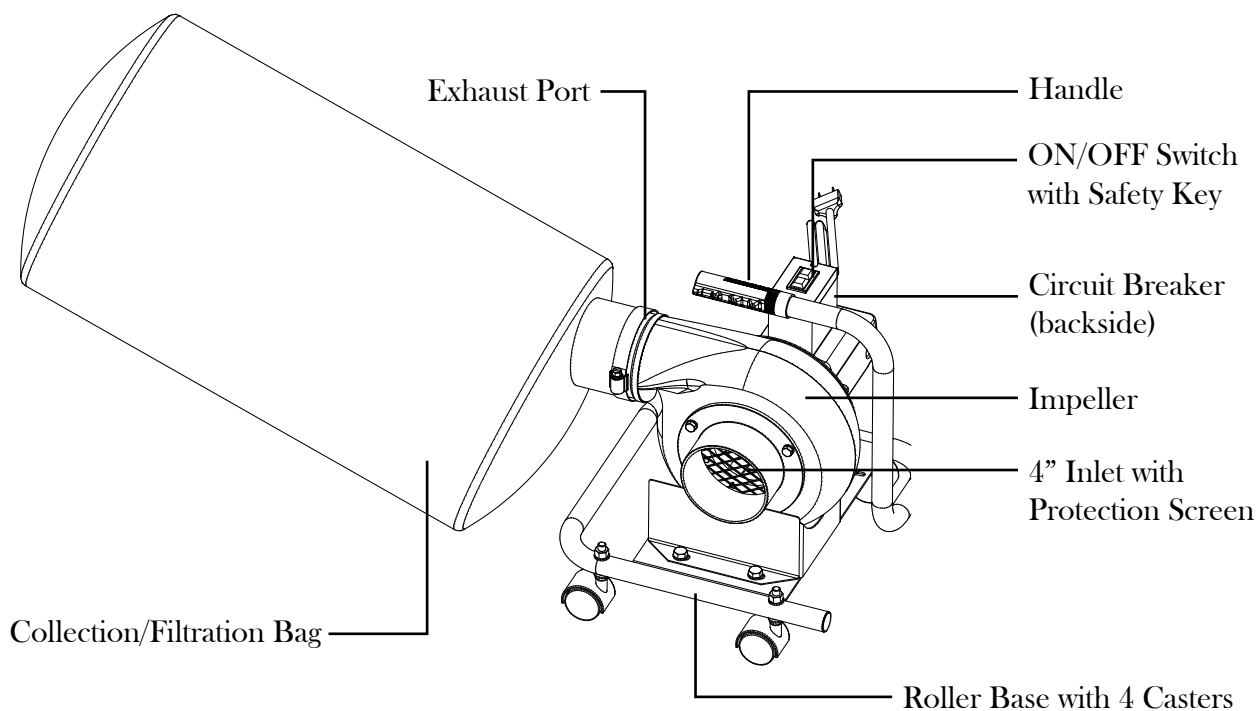
Carefully unpack and remove all contents from the box. Check all components and compare against the graph below. If any part is damaged or missing, please contact our customer service at (800) 232-1195, M-F 8-5 CST or email us at techsupport@wenproducts.com.



PACKING LIST

- | | |
|-------------------|--------------------------------|
| 1. Dust Collector | 2. Collection/Filtration Bag |
| 3. Securing Clamp | 4. Casters with Nuts and Bolts |

KNOW YOUR DUST COLLECTOR



ASSEMBLY



WARNING: Do not attempt to plug in or operate your tool until the entire operator's manual has been read and understood. Failure to do so could result in personal injury and damage to the tool.

CASTER ASSEMBLY

Your dust collector comes installed on a roller base. Install the casters onto the roller base to be able to move your dust collector around.

1. Slide the caster (Fig. 1 - 1) through a washer (Fig. 1 - 2) and a mounting hole in the corner of the roller base.
2. Place another washer (Fig. 1 - 3) on the threaded portion of the caster above the roller base.
3. Thread the hex nut (Fig. 1 - 4) onto the caster.
4. Tighten the cap nut (Fig. 1 - 5) onto the caster to secure it in place.
5. Repeat the steps above to assemble the three remaining casters.

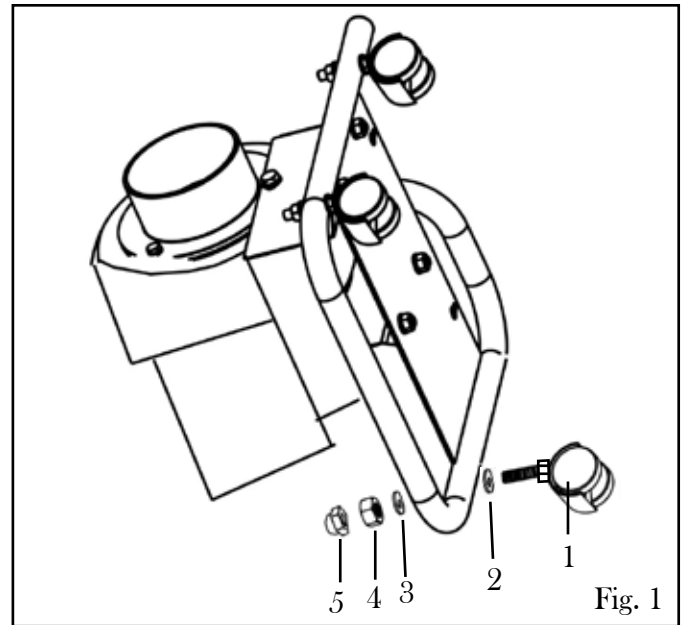


Fig. 1

WALL MOUNTING

Your unit can also be mounted onto the wall. Remove the roller base. Position the dust collector onto the wall next to a matching power outlet. Leave enough room on the bottom for the collection bag. Mount the unit onto the wall using appropriate nuts and bolts through the four mounting holes on the mounting bracket (Fig. 2 - 1).

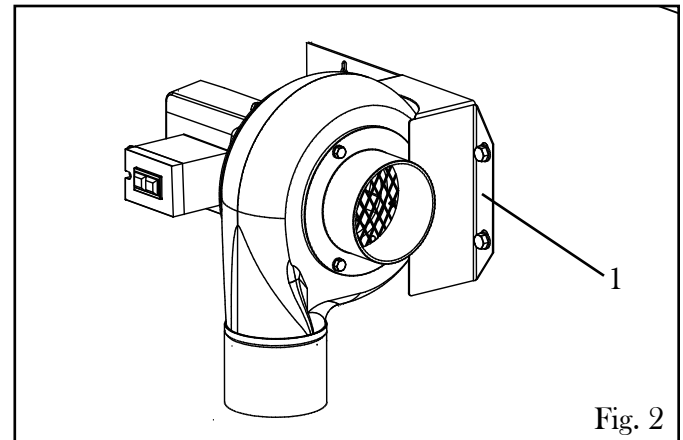


Fig. 2

COLLECTION BAG ASSEMBLY

1. Place the clamp (Fig. 3 - 2) over the exhaust port of the dust collector (Fig. 3 - 1).
2. Place the mouth of the collection bag (Fig. 3 - 3) over the exhaust port. Then, slide the clamp (Fig. 3 - 2) over the mouth of the bag.
3. Tighten the clamp using a flat-head screwdriver.

NOTE: Do not remove the safety screen or the inlet. Doing so will alter the airflow and damage the motor.

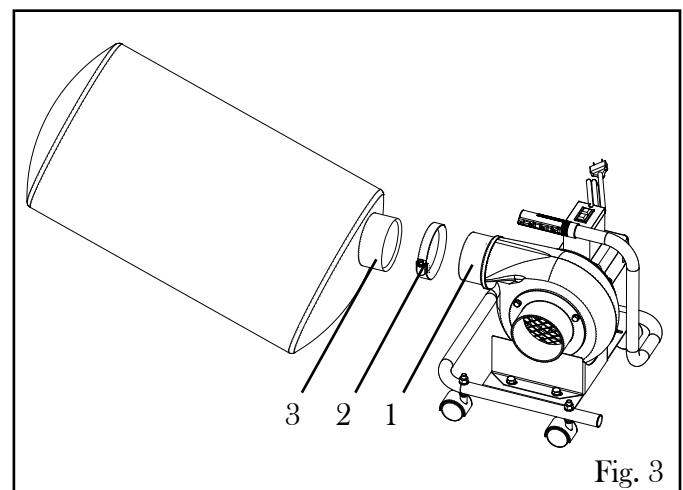


Fig. 3

OPERATION



WARNING: This dust collector is intended only for collecting wood dust and chips from woodworking machines. Do not use dust collector for anything except wood dust. Material such as liquids, aerosols, metal dust, screws, glass, plastic or rock can cause sparks when coming into contact with any part of the collection system.



WARNING: Never allow steel to come into contact with impeller. Impact with any hard material may result in sparks which may cause fire. Be mindful of any situation that results in a risk of fire.

1. Connect the dust collector to your woodworking machine using a 4-inch dust collection hose.

NOTE: Your dust collector is compatible with the WEN 28200 10-foot dust hose and the WEN 28221 20-foot dust hose, available at wenproducts.com. Adaptors may be needed depending the dust port size of your woodworking machine.

2. Make sure the dust collector switch is turned off and insert the power plug into a matching receptacle.

3. Switch on the dust collector and start operating your woodworking machine. Do not place your hands, lumber or tools near the inlet opening while machine is plugged in or during operation. Keep animals and children away from open dust collection inlets.

OVERLOAD PROTECTION

Your tool is equipped with a circuit breaker to protect the motor from overloading or overheating. In case of overload, the circuit breaker will pop out to shut down the machine. Wait for the tool to cool down and press in the circuit breaker. Restart the machine to continue operation.

MAINTENANCE



WARNING: Always ensure that the tool is switched off and the plug is removed from the outlet before making any adjustments or maintenance procedures.

CLEANING AND INSPECTION

1. Regularly clean dust, chips and other particles from the machine. If operation is excessively dusty or dirty, frequent inspection of motor is required. Vacuum any particles that may have entered the motor.
2. Inspect the machine for any damaged or worn parts. Replace any damaged parts immediately for safe and efficient operation. Frequently check that all nuts, bolts, screws have not loosened due to vibration.
3. Regularly check and empty the collection bag. Always wear respirator and safety glasses when removing, emptying or replacing collection bags. Empty dust away from ignition sources and into a suitable container.

STORAGE

Store the unit and accessories in a dark, dry, frost-free and well ventilated place, out of the reach of children. The ideal storage temperature is between 50 to 86 °F (10 and 30 °C).

PRODUCT DISPOSAL

Used power tools contain recyclable materials and should not be disposed with household waste. Please take this product to your local recycling facility for responsible disposal and to minimize its environmental impact.

LIMITED TWO YEAR WARRANTY

WEN Products is committed to building tools that are dependable for years. Our warranties are consistent with this commitment and our dedication to quality.

LIMITED WARRANTY OF WEN CONSUMER POWER TOOLS PRODUCTS FOR HOME USE

GREAT LAKES TECHNOLOGIES, LLC (“Seller”) warrants to the original purchaser only, that all WEN consumer power tools will be free from defects in material or workmanship for a period of two (2) years from date of purchase. Ninety days for all WEN products, if the tool is used for professional use.

SELLER’S SOLE OBLIGATION AND YOUR EXCLUSIVE REMEDY under this Limited Warranty and, to the extent permitted by law, any warranty or condition implied by law, shall be the repair or replacement of parts, without charge, which are defective in material or workmanship and which have not been misused, carelessly handled, or misrepaired by persons other than Seller or Authorized Service Center. To make a claim under this Limited Warranty, you must make sure to keep a copy of your proof of purchase that clearly defines the Date of Purchase (month and year) and the Place of Purchase. Place of purchase must be a direct vendor of Great Lakes Technologies, LLC. Third party vendors such as garage sales, pawn shops, resale shops, or any other secondhand merchant void the warranty included with this product. Contact techsupport@wenproducts.com or 1-800-232-1195 to make arrangements for repairs and transportation.

When returning a product for warranty service, the shipping charges must be prepaid by the purchaser. The product must be shipped in its original container (or an equivalent), properly packed to withstand the hazards of shipment. The product must be fully insured with a copy of the warranty card and/or the proof of purchase enclosed. There must also be a description of the problem in order to help our repairs department diagnose and fix the issue. Repairs will be made and the product will be returned and shipped back to the purchaser at no charge.

THIS LIMITED WARRANTY DOES NOT APPLY TO ACCESSORY ITEMS THAT WEAR OUT FROM REGULAR USAGE OVER TIME INCLUDING BELTS, BRUSHES, BLADES, ETC.

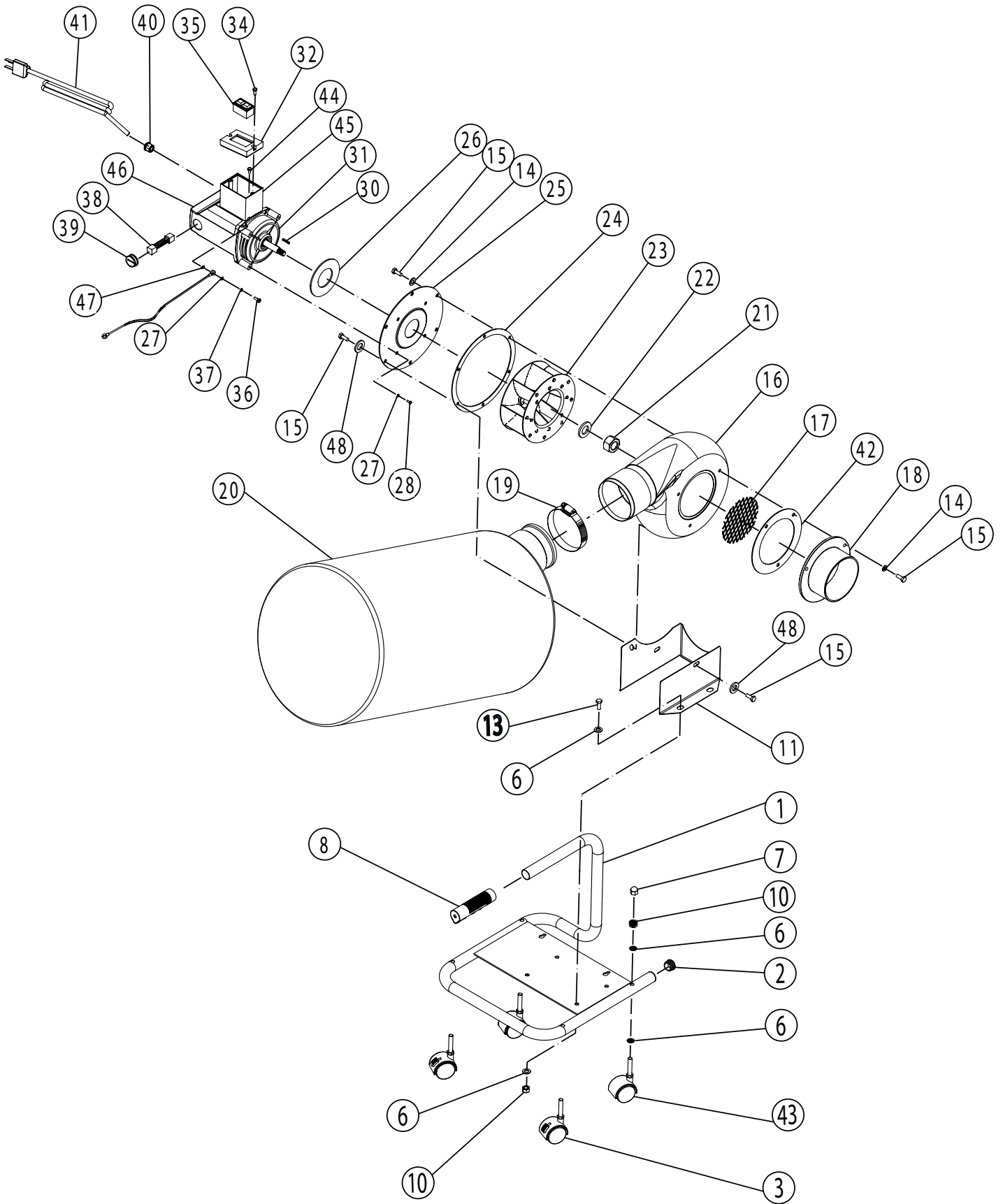
ANY IMPLIED WARRANTIES SHALL BE LIMITED IN DURATION TO TWO (2) YEARS FROM DATE OF PURCHASE. SOME STATES IN THE U.S., SOME CANADIAN PROVINCES DO NOT ALLOW LIMITATIONS ON HOW LONG AN IMPLIED WARRANTY LASTS, SO THE ABOVE LIMITATION MAY NOT APPLY TO YOU.

IN NO EVENT SHALL SELLER BE LIABLE FOR ANY INCIDENTAL OR CONSEQUENTIAL DAMAGES (INCLUDING BUT NOT LIMITED TO LIABILITY FOR LOSS OF PROFITS) ARISING FROM THE SALE OR USE OF THIS PRODUCT. SOME STATES IN THE U.S. AND SOME CANADIAN PROVINCES DO NOT ALLOW THE EXCLUSION OR LIMITATION OF INCIDENTAL OR CONSEQUENTIAL DAMAGES, SO THE ABOVE LIMITATION OR EXCLUSION MAY NOT APPLY TO YOU.

THIS LIMITED WARRANTY GIVES YOU SPECIFIC LEGAL RIGHTS, AND YOU MAY ALSO HAVE OTHER RIGHTS WHICH VARY FROM STATE TO STATE IN THE U.S., PROVINCE TO PROVINCE IN CANADA AND FROM COUNTRY TO COUNTRY.

THIS LIMITED WARRANTY APPLIES ONLY TO PORTABLE ELECTRIC TOOLS, BENCH POWER TOOLS, OUTDOOR POWER EQUIPMENT AND PNEUMATIC TOOLS SOLD WITHIN THE UNITED STATES OF AMERICA, CANADA AND THE COMMONWEALTH OF PUERTO RICO. FOR WARRANTY COVERAGE WITHIN OTHER COUNTRIES, CONTACT THE WEN CUSTOMER SUPPORT LINE.

EXPLODED VIEW AND PARTS LIST



EXPLODED VIEW AND PARTS LIST

No.	Part No.	Description	Qty.
1	3401-001	Roller Base & Handle	1
2	3401-002	End Cap	1
3	3401-003	Caster With Braking	2
6	3401-006	Washer	16
7	3401-007	Cap Nut	4
8	3401-008	Handle Cover	1
10	3401-010	Hex Nut	8
11	3401-011	Mounting Bracket	1
13	3401-013	Hex Head Bolt	4
14	3401-014	Washer	6
15	3401-015	Hex Head Bolt	9
16	3401-016	Collector Body	1
17	3401-017	Safety Screen	1
18	3401-018	Inlet Cover	1
19	3401-019	Clamp	1
20	3401-020-Z	Collection/Filtration Bag	1
21	3401-021	Hex Nut	1
22	3401-022	Washer	1
23	3401-023	Impeller	1
24	3401-024	Inner Gasket	1
25	3401-025	Collector Cover	1
26	3401-026	Outer Gasket	1
27	3401-027	Washer	5
28	3401-028	Hex Head Bolt	4
30	3401-030	Motor Key	1
31	3401-031	Motor Mounting Bracket	1
32	3401-032	Switch Cover Plate	1
34	3401-034	Phillips Head Screw	2
35	3401-035	Switch	1
36	3401-036	Phillips Head Screw	1
37	3401-037	Lock/Spring Washer	1
38	3401-038	Motor Brush	2
39	3401-039	Brush Cover	2
40	3401-040	Cord Clamp	1
41	3401-041	Power Cord	1
42	3401-042	Inlet Seal	1
43	3401-043	Caster Without Braking	2
44	3401-044	Screw 4x16	2
45	3401-045	Switch Box	1
46	3401-046	Motor	1
47	3401-047	Toothed Washer	1
48	3401-048	Big Flat Washer	3

**THANKS FOR
REMEMBERING**

