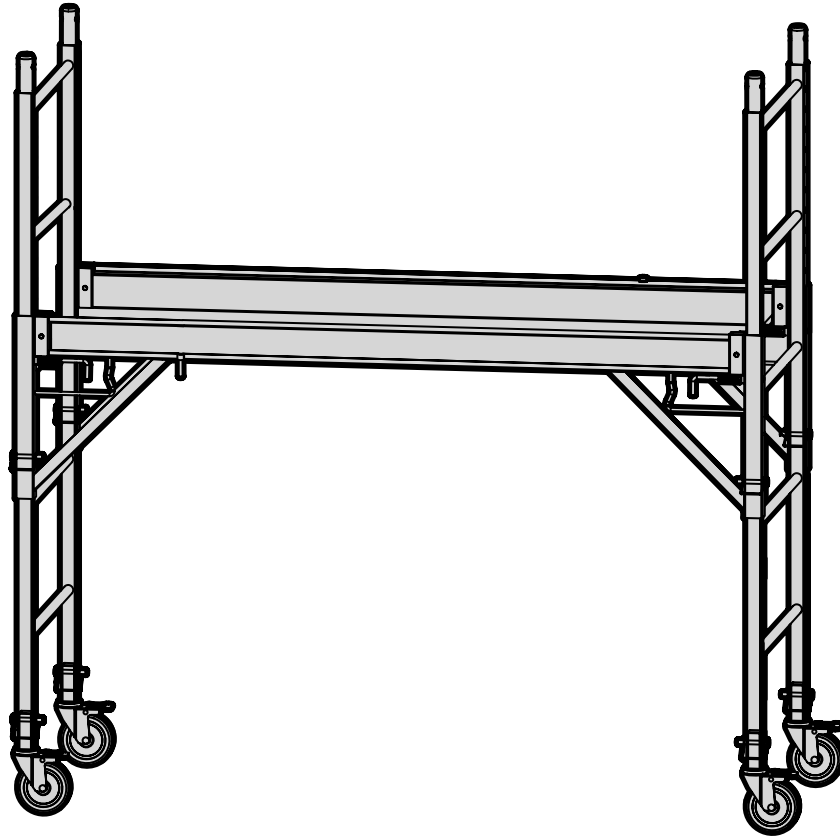




MODEL 31110, 31110T

1000-POUND CAPACITY SCAFFOLDING

Instruction Manual



NEED HELP? CONTACT US!

Have product questions? Need technical support? Please feel free to contact us:



1-800-232-1195 (M-F 8AM-5PM CST)



TECHSUPPORT@WENPRODUCTS.COM

IMPORTANT: Your new tool has been engineered and manufactured to WEN's highest standards for dependability, ease of operation, and operator safety. When properly cared for, this product will supply you years of rugged, trouble-free performance. Pay close attention to the rules for safe operation, warnings, and cautions. If you use your tool properly and for its intended purpose, you will enjoy years of safe, reliable service.

For replacement parts and the most up-to-date instruction manuals, visit ***WENPRODUCTS.COM***

CONTENTS

WELCOME	3
Introduction	3
Specifications.....	3
SAFETY	4
General Safety Rules	4
Scaffolding Safety Warnings.....	6
BEFORE OPERATING	8
Assembly & Adjustments.....	8
OPERATION & MAINTENANCE	11
Operation	11
Maintenance.....	12
Exploded View & Parts List.....	13
Warranty Statement	14

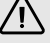
To purchase accessories and replacement parts for your tool, visit ***WENPRODUCTS.COM***

Outrigger set for Multipurpose 6ft. Baker Style Scaffolding (Model 31104)

Guardrail set for Multipurpose 6ft. Baker Style Scaffolding (Model 31106)

INTRODUCTION

Thanks for purchasing the WEN Scaffolding. We know you are excited to put your tool to work, but first, please take a moment to read through the manual. Safe operation of this tool requires that you read and understand this operator's manual and all the labels affixed to the tool. This manual provides information regarding potential safety concerns, as well as helpful assembly and operating instructions for your tool.

 Indicates danger, warning, or caution. The safety symbols and the explanations with them deserve your careful attention and understanding. Always follow the safety precautions to reduce the risk of fire, electric shock or personal injury. However, please note that these instructions and warnings are not substitutes for proper accident prevention measures.

NOTE: The following safety information is not meant to cover all possible conditions and situations that may occur. WEN reserves the right to change this product and specifications at any time without prior notice.

At WEN, we are continuously improving our products. If you find that your tool does not exactly match this manual, please visit wenproducts.com for the most up-to-date manual or contact our customer service at **1-800-232-1195**.

Keep this manual available to all users during the entire life of the tool and review it frequently to maximize safety for both yourself and others.

SPECIFICATIONS

Model Number	31110, 31110T
Maximum Capacity	1000 Pounds Evenly Distributed for Single Stage
	750 Pounds Evenly Distributed for Two Stages (Combined)
Single Stage Height	28 to 71.3 Inches
Maximum Stackable Levels	Up to 2 Levels
Adjustable Mounting Holes	1/2 Inch Diameter, 30 Per Side
Work Platform Dimensions	67.3 x 28 Inches
Assembled Product Dimensions	73.6 in. x 29 in. x 75 in.
Product Net Weight	119 Pounds

GENERAL SAFETY RULES

⚠ WARNING! Read all safety warnings and all instructions. Failure to follow the warnings and instructions may result in electric shock, fire and/or serious injury.

Safety is a combination of common sense, staying alert and knowing how your item works. The term “power tool” in the warnings refers to your mains-operated (corded) power tool or battery-operated (cordless) power tool.

SAVE THESE SAFETY INSTRUCTIONS.

WORK AREA SAFETY

- 1. Keep work area clean and well lit.** Cluttered or dark areas invite accidents.
- 2. Do not operate power tools in explosive atmospheres, such as in the presence of flammable liquids, gases or dust.** Power tools create sparks which may ignite the dust or fumes.
- 3. Keep children and bystanders away while operating a power tool.** Distractions can cause you to lose control.

ELECTRICAL SAFETY

- 1. Power tool plugs must match the outlet. Never modify the plug in any way. Do not use any adapter plugs with earthed (grounded) power tools.** Unmodified plugs and matching outlets will reduce risk of electric shock.
- 2. Avoid body contact with earthed or grounded surfaces such as pipes, radiators, ranges and refrigerators.** There is an increased risk of electric shock if your body is earthed or grounded.
- 3. Do not expose power tools to rain or wet conditions.** Water entering a power tool will increase the risk of electric shock.
- 4. Do not abuse the cord. Never use the cord for carrying, pulling or unplugging the power tool. Keep cord away from heat, oil, sharp edges or moving parts.** Damaged or entangled cords increase the risk of electric shock.
- 5. When operating a power tool outdoors, use an extension cord suitable for outdoor use.** Use of a cord suitable for outdoor use reduces the risk of electric shock.

- 6. If operating a power tool in a damp location is unavoidable, use a ground fault circuit interrupter (GFCI) protected supply.** Use of a GFCI reduces the risk of electric shock.

PERSONAL SAFETY

- 1. Stay alert, watch what you are doing and use common sense when operating a power tool. Do not use a power tool while you are tired or under the influence of drugs, alcohol or medication.** A moment of inattention while operating power tools may result in serious personal injury.
- 2. Use personal protective equipment. Always wear eye protection.** Protective equipment such as a respiratory mask, non-skid safety shoes and hearing protection used for appropriate conditions will reduce the risk of personal injury.
- 3. Prevent unintentional starting. Ensure the switch is in the off-position before connecting to power source and/or battery pack, picking up or carrying the tool.** Carrying power tools with your finger on the switch or energizing power tools that have the switch on invites accidents.
- 4. Remove any adjusting key or wrench before turning the power tool on.** A wrench or a key left attached to a rotating part of the power tool may result in personal injury.
- 5. Do not overreach. Keep proper footing and balance at all times.** This enables better control of the power tool in unexpected situations.
- 6. Dress properly. Do not wear loose clothing or jewelry. Keep your hair and clothing away from moving parts.** Loose clothes, jewelry or long hair can be caught in moving parts.

GENERAL SAFETY RULES

 **WARNING!** Read all safety warnings and all instructions. Failure to follow the warnings and instructions may result in electric shock, fire and/or serious injury.

Safety is a combination of common sense, staying alert and knowing how your item works. The term “power tool” in the warnings refers to your mains-operated (corded) power tool or battery-operated (cordless) power tool.

SAVE THESE SAFETY INSTRUCTIONS.

7. If devices are provided for the connection of dust extraction and collection facilities, ensure these are connected and properly used. Use of dust collection can reduce dust-related hazards.

POWER TOOL USE AND CARE

1. Do not force the power tool. Use the correct power tool for your application. The correct power tool will do the job better and safer at the rate for which it was designed.

2. Do not use the power tool if the switch does not turn it on and off. Any power tool that cannot be controlled with the switch is dangerous and must be repaired.

3. Disconnect the plug from the power source and/or the battery pack from the power tool before making any adjustments, changing accessories, or storing power tools. Such preventive safety measures reduce the risk of starting the power tool accidentally.

4. Store idle power tools out of the reach of children and do not allow persons unfamiliar with the power tool or these instructions to operate the power tool. Power tools are dangerous in the hands of untrained users.

5. Maintain power tools. Check for misalignment or binding of moving parts, breakage of parts and any other condition that may affect the power tool's operation. If damaged, have the power tool repaired before use. Many accidents are caused by poorly maintained power tools.

6. Keep cutting tools sharp and clean. Properly maintained cutting tools with sharp cutting edges are less likely to bind and are easier to control.

7. Use the power tool, accessories and tool bits, etc. in accordance with these instructions, taking into account the working conditions and the work to be performed. Use of the power tool for operations different from those intended could result in a hazardous situation.

8. Use clamps to secure your workpiece to a stable surface. Holding a workpiece by hand or using your body to support it may lead to loss of control.

9. KEEP GUARDS IN PLACE and in working order.

SERVICE

1. Have your power tool serviced by a qualified repair person using only identical replacement parts. This will ensure that the safety of the power tool is maintained.

CALIFORNIA PROPOSITION 65 WARNING

Some dust created by power sanding, sawing, grinding, drilling, and other construction activities may contain chemicals, including lead, known to the State of California to cause cancer, birth defects, or other reproductive harm. Wash hands after handling. Some examples of these chemicals are:

- Lead from lead-based paints.
- Crystalline silica from bricks, cement, and other masonry products.
- Arsenic and chromium from chemically treated lumber.

Your risk from these exposures varies depending on how often you do this type of work. To reduce your exposure to these chemicals, work in a well-ventilated area with approved safety equipment such as dust masks specially designed to filter out microscopic particles.

SCAFFOLDING SAFETY WARNINGS

⚠ WARNING! To avoid mistakes and serious injury, read and understand this entire instruction manual. Learn the tool's applications, limitations, and possible hazards.

WORK AREA SAFETY

1. Keep your work area clean, uncluttered, and well lit. Cluttered areas invite injuries and accidents. Keep the ground clear of tripping hazards. Do not work on floor surfaces that are slippery with sawdust or wax.
2. Observe work area conditions. Keep bystanders at a safe distance from the work area. Never allow children or pets near the tool.
3. To avoid contact and shock hazard, do not use the scaffolding near energized power lines or electrical lines. Do not contact unprotected, energized electrical power lines or other power sources with the scaffolding or tools. Maintain at least 10 feet from electrical lines. Consult the power company to shut off the power or insulate/relocate lines if a job requires working closer than 10 feet to electrical lines.
4. Only assemble and use the scaffolding on a flat, level surface capable of supporting the tool with its maximum capacity load. It is easy to lose control if attempting to pull a load on a sloping or uneven surface.

PERSONAL SAFETY

1. Wear ANSI Z87.1-approved impact safety goggles, a hard hat, heavy-duty work gloves and osha-specified safety harness during assembly and use. Wear additional safety gear as required by local, state and federal regulations.
2. Dress for safety. Do not wear loose clothing, neckties, or jewelry (rings, watches, etc.) Always wear non-slip footwear and tie back long hair.
3. Stay alert - watch what you're doing and use common sense when using the scaffolding. Do not use while you are tired or under the influence of drugs, alcohol or medication that may affect your ability to properly use the tool. A moment of inattention while using the scaffold may result in serious personal injury.

SCAFFOLDING USE & CARE

1. Follow all current osha (Occupational Safety and Health Administration) guidelines for setup, use and maintenance of the scaffolding. Scaffolding safety regulations may change periodically. The operator is responsible for being familiar with and obeying current osha guidelines as well as local, state and federal regulations regarding the set-up and use of this product.
2. Use the right product for the job. There are certain applications for which this tool was designed. Unauthorized modification may damage the tool and/or cause personal injuries.
3. Check for damaged or worn out parts before using the scaffolding. Check for alignment of moving parts, jamming, breakage, improper mounting, or any other conditions that may affect the tool's operation. Any part that is damaged should be properly repaired or replaced before use. Do not attempt to straighten deformed parts, as this will weaken their structural integrity. Bent parts should be replaced immediately.
4. Make sure all guards and fasteners are secure after assembly or adjustments. All connections should be tight before operation.

Safety Warnings continue on the next page.

SCAFFOLDING SAFETY WARNINGS

⚠ WARNING! To avoid mistakes and serious injury, read and understand this entire instruction manual. Learn the tool's applications, limitations, and possible hazards.

SCAFFOLDING USE & CARE (CONT.)

5. Acids and other corrosive substances may severely affect the integrity of the scaffolding. Use extreme care around such materials and follow applicable instructions. Do not use acids or other corrosive substances on scaffolding parts, as they could corrode the metal and decrease its strength.
6. Immediately remove scaffolding from use and discard if exposed to excessive heat (such as fire), which could cause a loss of structural integrity.
7. Do not permit oil, grease, or other slippery material to accumulate on climbing or gripping surfaces.
8. Do not use the product if the platform surface is damaged or has deteriorated. Only use the included platform or an identical replacement platform. The platform must not extend beyond the base support.
9. The maximum working load is 1000 pounds evenly distributed for one stage and 750 pounds combined for two stages. The total combined weight of workers and materials must not exceed the rated working load. Always keep weight evenly distributed.
10. Be aware of dynamic loading: jumping on or suddenly dropping weight onto the scaffolding may briefly create an excess load, causing the product to fail.
11. Do not ride on or transport items on scaffolding.
12. Do not allow unstable objects or slippery materials to accumulate on the scaffolding.
13. Do not use for cantilever applications. Use with supports directly underneath the scaffolding.
14. Maintain labels and nameplates on the scaffolding. These carry important safety information. If unreadable or missing, contact WEN customer service for a replacement.
15. Position the scaffolding on a hard, level surface. Make sure the working/standing surface is completely level and that the wheels are locked before getting on the scaffolding.
16. Do not climb onto scaffold from a ladder unless both the scaffolding and the ladder are secured from movement in all directions. Do not use a ladder above the platform to reach greater heights.
17. Use guard rails, mid rails and toe boards (not included) as required by local, state and federal regulations. Using such safety devices is always recommended.
18. Scaffolds that are covered in ice or snow cannot be used until they are cleaned off thoroughly. Scaffolds must not be used during storms or in windy weather.
19. Store idle scaffolding out of the reach of children and do not allow persons unfamiliar with the scaffold to climb on it or use it for any purpose. This item can be dangerous in the hands of untrained users.
20. Have the scaffolding regularly serviced by a qualified person. Use only identical replacement parts and accessories. This will ensure a longer lifespan for the product and will also maximize safety.

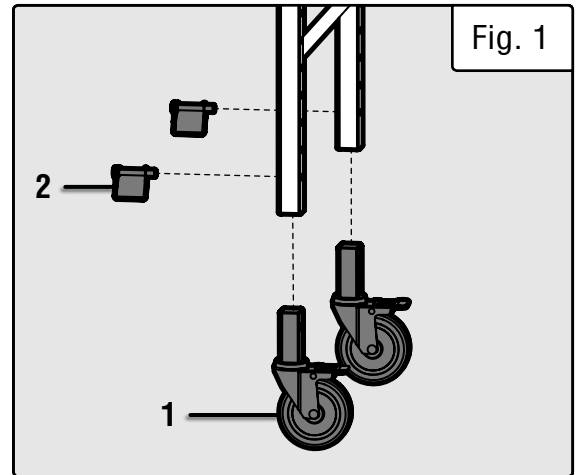
ASSEMBLY & ADJUSTMENTS

⚠ WARNING! Read the instructions before beginning to assemble the scaffolding. Scaffold components and replacement parts from other manufacturers must not be used with this particular model. Parts should fit together without being forced, otherwise the structural integrity may be compromised.

**Assembly and adjustments of the scaffolding requires two people.
Get a good friend (or a trustworthy foe) to help you.**

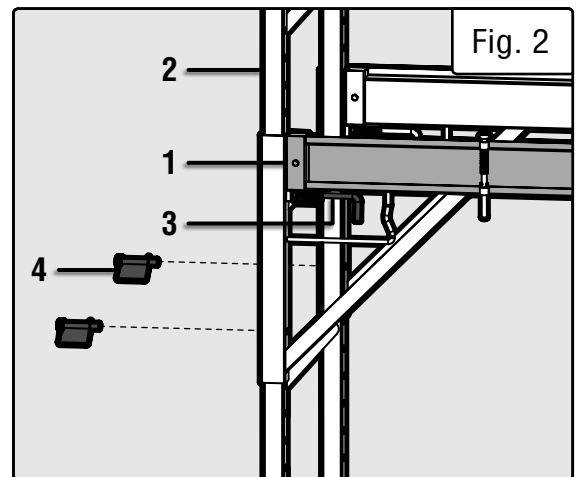
MOUNTING THE CASTERS

1. Mount the four swivel casters (Fig. 1 - 1) to the bottom of each end frame by sliding the casters into their respective legs.
2. Secure the casters in place using a locking pin (Fig. 1 - 2). Then, snap the pin spring around the end of the locking pin to keep it in place.
3. Lock the swivel casters in place by pressing down on the end of the caster plate marked "ON". Pressing down on the end marked "OFF" unlocks the caster for movement.



MOUNTING THE SIDE RAIL

1. Slide a side rail (Fig. 2 - 1) onto the end frames (Fig. 2 - 2) and secure it into place using two L-shaped pins (Fig. 2 - 3). The L-shaped pins must be fully engaged in the holes of the frame.
2. Further secure the frames with a locking pin (Fig. 2 - 4) on each side of the side rail.
3. Repeat to install the other side rail onto the other side of the end frames. Both side rails must be positioned at the same height on the frames so that the platform will be level. Check the rails' level with a bubble level or other instrument (not included).
4. Check to make sure all four L-shaped pins and four locking pins are properly installed.



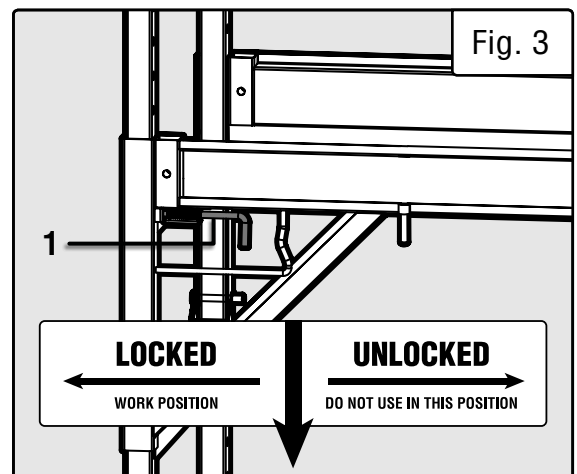
TO ENGAGE/DISENGAGE THE L-SHAPED PINS

To disengage the L-shaped pin:

Pull out the L-shape pin (Fig. 3 - 1) at each end of the side brace to disengage it and adjust the platform height.

To engage the L-shaped pin:

Release the L-shaped pin (Fig. 3 - 1) and be sure that pin fully engages into holes in the frame.



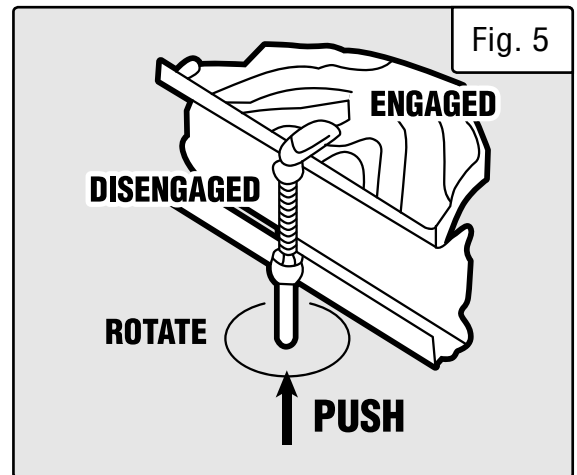
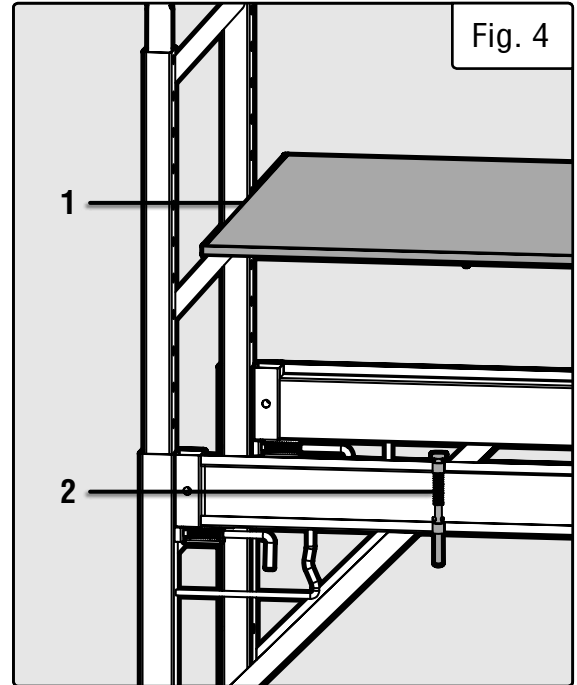
⚠ WARNING! Make sure the L-shaped pins are fully locked before operation.

ASSEMBLY & ADJUSTMENTS

MOUNTING THE PLATFORM

1. Lay the plywood platform (Fig. 4 - 1) over the flange pins that extend up from the side rails and into the oblong holes cut in the wood platform. These flange pins must fit properly.
2. Secure the platform in place with the platform hold-downs (Fig. 4 - 2).
3. Rotate the platform clips into the engaged position, as indicated in Fig. 5.
4. If needed, a second scaffold (sold separately) must be assembled by using the first scaffold as a stable platform. Refer to the next page for attaching a second scaffold.

Use additional safety devices such as guard rails, mid rails and toe boards to stabilize the second scaffold.



ASSEMBLY & ADJUSTMENTS

ATTACHING A SECOND SCAFFOLD

⚠ WARNING! Before assembling the second stage, the lower stage must be fully assembled even if it is not being used. The lower stage provides needed structural support for the upper stage. The caster wheels must be locked to ensure that the lower stage will not move.

Observe all safety rules for boarding, working on, and getting off the first stage when assembling. Assemble the upper stage one piece at a time to help prevent clutter and falling parts. Assemble each major component completely before moving on to the next one. At least three workers are required to assemble the second stage safely.

1. Attach one second stage end frame by inserting the bottom of its legs over the tops of the first stage's end frames. Secure into place with locking pins and L-shaped pins. Repeat the procedure for the other end frame.

2. Attach the side rails one at a time to each side of the second stage end rails at the desired height. Use the height adjustment pins, locking pins and L-shaped pins to adjust the wooden platform to the desired height.

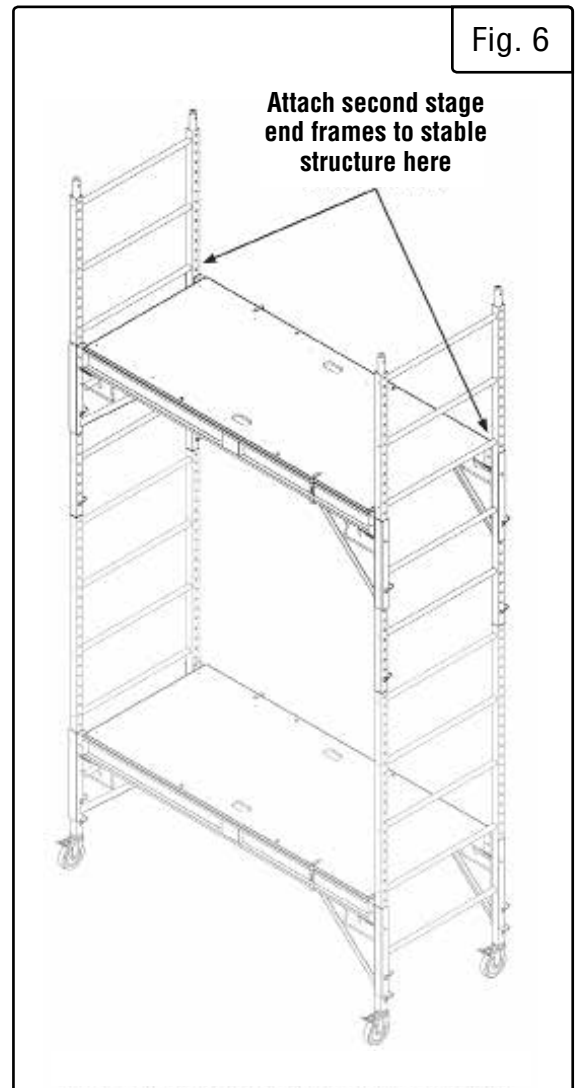
3. Secure the scaffold to a stable structure using ties and/or braces. They must be secured at the end of the third horizontal beam on the second scaffolding (the same as the eighth beam from the ground) as noted in Fig. 6. The components and the attachment methods used at this point must be rated to at least four times the capacity of the scaffolding. If you have any doubts about your ability to properly do this, employ the help of a qualified technician instead.

4. Lay the wooden platform onto the side rails, making sure the oval holes fit over the flange pins without having to be forced.


5. Use the two platform hold-downs along with four screws, nuts and washers (not included) to secure the wood platform into place.

⚠ WARNING! Do not go any higher than two scaffolds.

⚠ WARNING! When stacking scaffolding, outriggers and guardrails are required by OSHA regulations. Outriggers (model 31104) and guardrails (model 31106) are available for purchase at wenproducts.com.




OPERATION

 **WARNING!** To prevent serious injury, make sure all the warnings and instructions have been read and understood before operating this tool. If you have any questions or concerns, please contact our customer service at **1-(800) 232-1195**, M-F 8-5 CST.

 **WARNING! DO NOT OVERLOAD SCAFFOLD! IT MAY RESULT IN SERIOUS INJURY!** Rated working load (evenly distributed): 1000 pounds for one stage and 750 pounds combined for two stages. The total combined weight of workers and materials must not exceed the rated working load.

1. Wheel the scaffolding to the area where it is to be used, grasping and pushing the scaffold at points no higher than five feet from off the floor in order to prevent tipping. The surface where this scaffolding is placed must be capable of supporting the entire scaffolding plus its maximum load without shifting or settling. Use on concrete or asphalt only.
2. Lock the swivel casters by pressing down on the lock mechanism attached to each wheel. Pressing down on the end marked "ON" locks the swivel caster in place. Pressing down on the end marked "OFF" unlocks the caster for movement.

 **WARNING!** All casters must be **LOCKED** prior to use to prevent movement and injury. Use a level to verify that the surface of the wooden platform is completely flat in all directions. Eyeballing the angle of the scaffold is not accurate enough to maximize safety.

3. Recheck all lock pins for full engagement before accessing the platform. Check the platform to be sure it is properly seated within the side brace and the platform clips are fully engaged.
4. Do not climb onto scaffold from a ladder unless both the scaffolding and the ladder are secured from movement in all directions. Do not use a ladder above the platform to gain greater heights. Ladders must be clamped securely in place to the scaffolding to prevent any movement. Any ladder (normal or stairway type) must meet OSHA requirements for use with scaffolds.
5. If the scaffolding will be accessed directly (such as from an opening in the side of a building), it cannot be more than 14 inches horizontally and 24 inches vertically from the other surface.
6. Each worker on a scaffold more than 10 feet above a lower level must be protected from falling to that lower level. Fall protection consists of either personal fall arrest systems or guardrail systems meeting OSHA requirements. Guardrails and outriggers are available for purchase at **wenproducts.com**.
7. For most activities, there must be no more than a 14-inch gap between the wooden platform and the structure being worked on (unless the work is lathing or plastering - a gap of 18 inches is permitted for this situation).
8. If toe-boards, guardrails or canopies are used to prevent a falling object hazard to passersby, then the areas below the scaffolding must be barricaded and the danger must be clearly stated to said passersby.
9. All plug-in electric tools used on a scaffold must be protected by GFCI outlets or plugs.
10. When finished using the scaffolding, wipe down the wood platform and all metal supports. Any oily or greasy substance spilled on the wood platform needs to be cleaned immediately to avoid causing someone to slip and fall.

MAINTENANCE

Procedures not specifically explained in this manual must be performed only by a qualified technician. Only a qualified technician. Only a qualified technician may replace any parts or make any safety equipment additions to this scaffold.

1. Before each use, inspect the general condition of the scaffold.

Check for:

- Cracking or deteriorating of the reinforced wood platform
- Cracked or loosen wheels or wheel locks
- Straightness/levelness of the platform and scaffolding
- Loose screws
- Misalignment of parts
- Cracked, bent or broken parts
- Any other condition that may affect its safe operation

2. Periodically coat wood decking and rails with transparent (penetrating) wood preservative. Do not paint or use opaque surface sealants - they may conceal serious problems.

3. Acids and other corrosive substances may severely affect the integrity of the scaffolding. Use extreme care around such materials and follow applicable instructions. Do not use acids or other corrosive substances on scaffolding parts, as they could corrode the metal and decrease its strength.

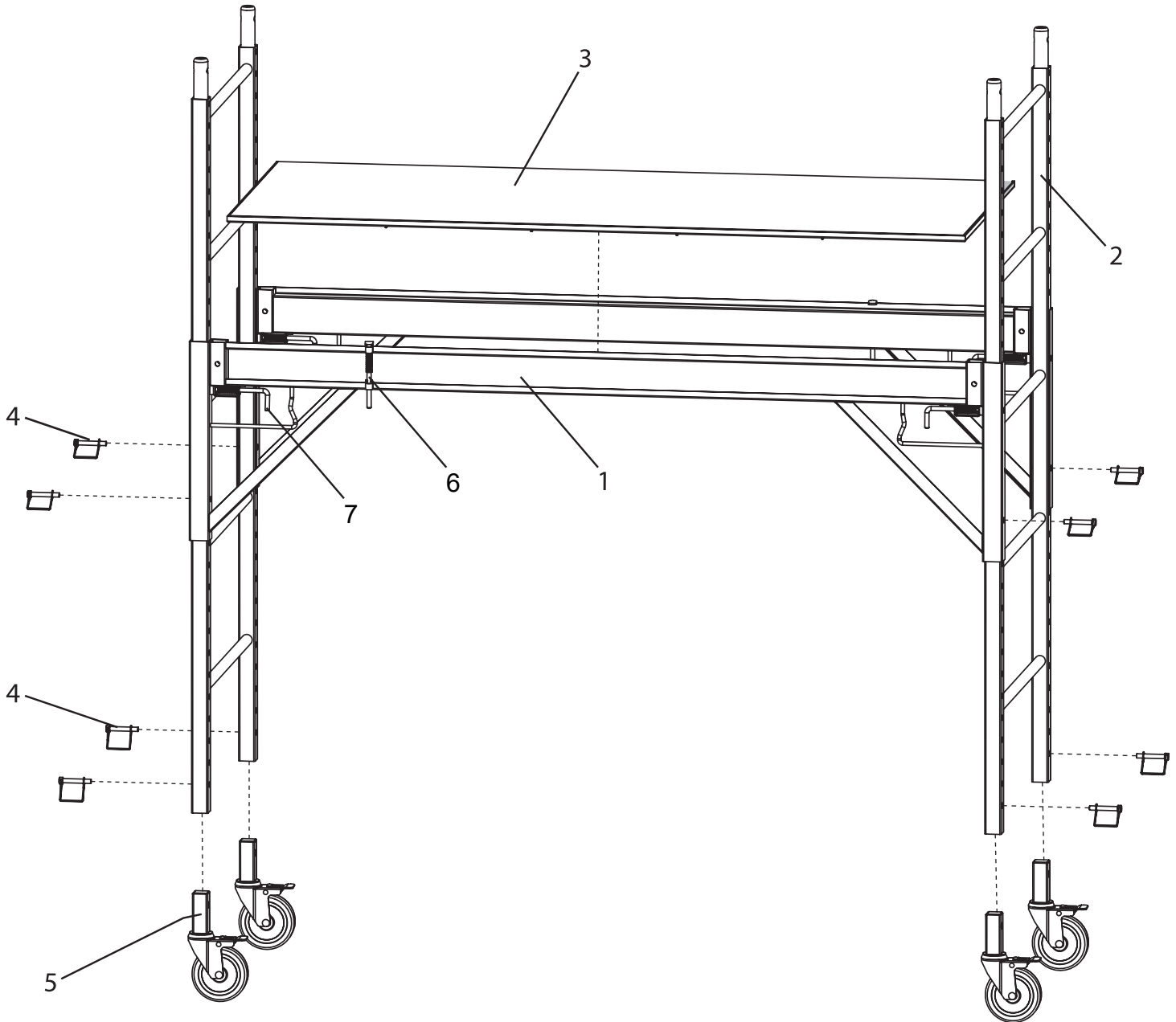
4. After use, clean the external surfaces with a clean cloth and store indoors in a safe, dry area away from children.

5. Use only identical replacement parts and accessories only. This will ensure a longer lifespan for the product and will also maximize safety. Replacement parts can be purchased by contacting our customer service at **1-(800) 232-1195**, M-F 8-5 CST.

PRODUCT DISPOSAL

The tool, accessories and packaging should be sorted for recycling instead of disposed of with household waste. Please take them to your local recycling facility for responsible disposal and to minimize the environmental impact.

EXPLODED VIEW & PARTS LIST



No.	Part No.	Description	Qty.
1	31110-001	Side Rail	2
2	31110-002	End Frame	2
3	31110-003	Platform (LxWxH) 66-21/64" x 28-1/2" x 15/32"	1
4	31110-004	Locking Pin	8
5	31110-005	5" Swivel Casters with Brake	4
6	31110-006	Platform Hold-down	2
7	31110-007	L-Shaped Pin	4

WARRANTY STATEMENT

WEN Products is committed to building tools that are dependable for years. Our warranties are consistent with this commitment and our dedication to quality.

LIMITED WARRANTY OF WEN PRODUCTS FOR HOME USE

GREAT LAKES TECHNOLOGIES, LLC (“Seller”) warrants to the original purchaser only, that all WEN consumer power tools will be free from defects in material or workmanship during personal use for a period of two (2) years from date of purchase or 500 hours of use; whichever comes first. Ninety days for all WEN products if the tool is used for professional or commercial use. Purchaser has 30 days from the date of purchase to report missing or damaged parts.

SELLER’S SOLE OBLIGATION AND YOUR EXCLUSIVE REMEDY under this Limited Warranty and, to the extent permitted by law, any warranty or condition implied by law, shall be the replacement of parts, without charge, which are defective in material or workmanship and which have not been subjected to misuse, alteration, careless handling, misrepair, abuse, neglect, normal wear and tear, improper maintenance, or other conditions adversely affecting the Product or the component of the Product, whether by accident or intentionally, by persons other than Seller. To make a claim under this Limited Warranty, you must make sure to keep a copy of your proof of purchase that clearly defines the Date of Purchase (month and year) and the Place of Purchase. Place of Purchase must be a direct vendor of Great Lakes Technologies, LLC. Purchasing through third party vendors, including but not limited to garage sales, pawn shops, resale shops, or any other secondhand merchant, voids the warranty included with this product. Contact techsupport@wenproducts.com or 1-800-232-1195 with the following information to make arrangements: your shipping address, phone number, serial number, required part numbers, and proof of purchase. Damaged or defective parts and products may need to be sent to WEN before the replacements can be shipped out.

Upon the confirmation of a WEN representative, your product may qualify for repairs and service work. When returning a product for warranty service, the shipping charges must be prepaid by the purchaser. The product must be shipped in its original container (or an equivalent), properly packed to withstand the hazards of shipment. The product must be fully insured with a copy of the proof of purchase enclosed. There must also be a description of the problem in order to help our repairs department diagnose and fix the issue. Repairs will be made and the product will be returned and shipped back to the purchaser at no charge for addresses within the contiguous United States.

THIS LIMITED WARRANTY DOES NOT APPLY TO ITEMS THAT WEAR OUT FROM REGULAR USAGE OVER TIME, INCLUDING BELTS, BRUSHES, BLADES, BATTERIES, ETC. ANY IMPLIED WARRANTIES SHALL BE LIMITED IN DURATION TO TWO (2) YEARS FROM DATE OF PURCHASE. SOME STATES IN THE U.S. AND SOME CANADIAN PROVINCES DO NOT ALLOW LIMITATIONS ON HOW LONG AN IMPLIED WARRANTY LASTS, SO THE ABOVE LIMITATION MAY NOT APPLY TO YOU.

IN NO EVENT SHALL SELLER BE LIABLE FOR ANY INCIDENTAL OR CONSEQUENTIAL DAMAGES (INCLUDING BUT NOT LIMITED TO LIABILITY FOR LOSS OF PROFITS) ARISING FROM THE SALE OR USE OF THIS PRODUCT. SOME STATES IN THE U.S. AND SOME CANADIAN PROVINCES DO NOT ALLOW THE EXCLUSION OR LIMITATION OF INCIDENTAL OR CONSEQUENTIAL DAMAGES, SO THE ABOVE LIMITATION OR EXCLUSION MAY NOT APPLY TO YOU.

THIS LIMITED WARRANTY GIVES YOU SPECIFIC LEGAL RIGHTS, AND YOU MAY ALSO HAVE OTHER RIGHTS WHICH VARY FROM STATE TO STATE IN THE U.S., PROVINCE TO PROVINCE IN CANADA AND FROM COUNTRY TO COUNTRY.

THIS LIMITED WARRANTY APPLIES ONLY TO ITEMS SOLD WITHIN THE UNITED STATES OF AMERICA, CANADA AND THE COMMONWEALTH OF PUERTO RICO. FOR WARRANTY COVERAGE WITHIN OTHER COUNTRIES, CONTACT THE WEN CUSTOMER SUPPORT LINE. FOR WARRANTY PARTS OR PRODUCTS REPAIRED UNDER WARRANTY SHIPPING TO ADDRESSES OUTSIDE OF THE CONTIGUOUS UNITED STATES, ADDITIONAL SHIPPING CHARGES MAY APPLY.

**THANKS FOR
REMEMBERING**

