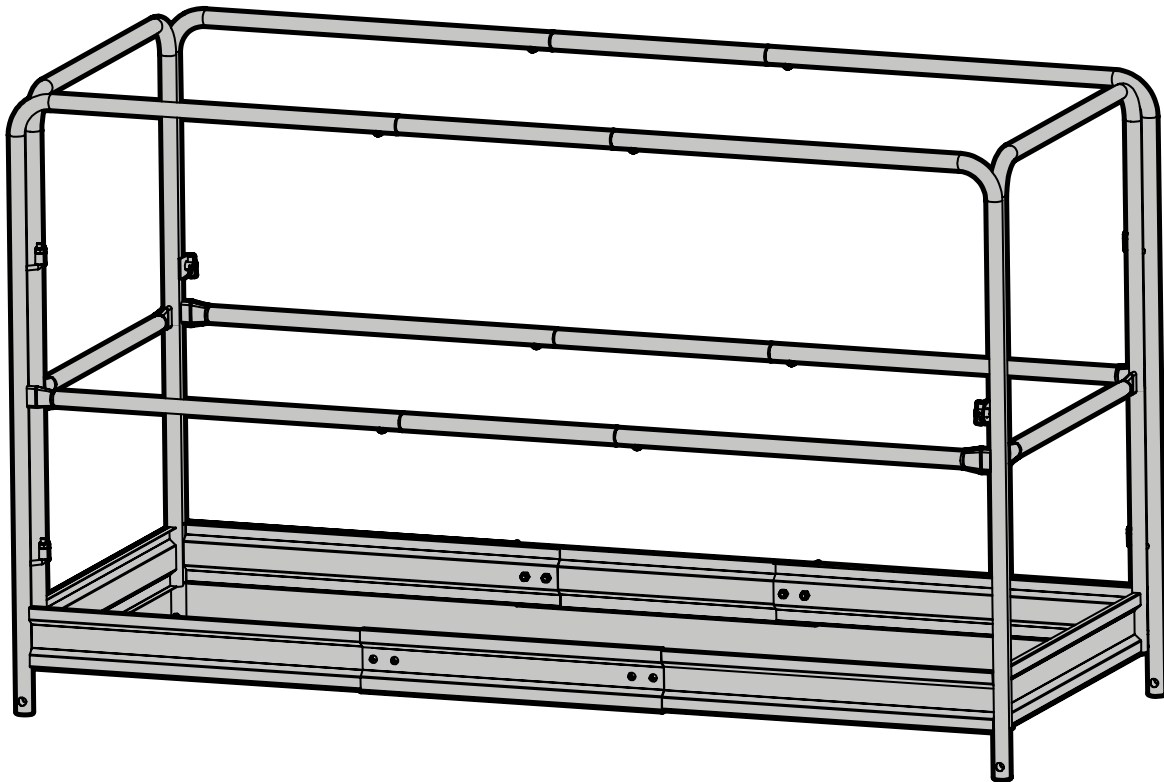




**MODEL 31106**

# ***GUARDRAIL SET FOR 6-FT. SCAFFOLDING***

**Instruction Manual**



## ***NEED HELP? CONTACT US!***

Have product questions? Need technical support? Please feel free to contact us:



**1-800-232-1195 (M-F 8AM-5PM CST)**



**TECHSUPPORT@WENPRODUCTS.COM**

**IMPORTANT:** Your new tool has been engineered and manufactured to WEN's highest standards for dependability, ease of operation, and operator safety. When properly cared for, this product will supply you years of rugged, trouble-free performance. Pay close attention to the rules for safe operation, warnings, and cautions. If you use your tool properly and for its intended purpose, you will enjoy years of safe, reliable service.

For replacement parts and the most up-to-date instruction manuals, visit ***WENPRODUCTS.COM***

# CONTENTS


<b>WELCOME</b>	<b>3</b>
Introduction .....	3
Specifications.....	3
<b>SAFETY</b>	<b>4</b>
General Safety Rules .....	4
Scaffolding & Accessory Safety Warnings.....	6
<b>BEFORE OPERATING</b>	<b>8</b>
Unpacking & Packing List .....	8
Assembly & Adjustments.....	8
<b>OPERATION &amp; MAINTENANCE</b>	<b>10</b>
Maintenance.....	10
Warranty Statement .....	11

To purchase accessories and replacement parts for your tool, visit **WENPRODUCTS.COM**

**Outrigger Set for Multipurpose 6ft. Baker Style Scaffolding (Model 31104)**  
**1000-Pound Capacity Baker Style Scaffolding (Models 31110T)**

## **INTRODUCTION**

Thanks for purchasing the WEN Guardrail Set. We know you are excited to put your tool to work, but first, please take a moment to read through the manual. Safe operation of this tool requires that you read and understand this operator's manual and all the labels affixed to the tool. This manual provides information regarding potential safety concerns, as well as helpful assembly and operating instructions for your tool.

 Indicates danger, warning, or caution. The safety symbols and the explanations with them deserve your careful attention and understanding. Always follow the safety precautions to reduce the risk of fire, electric shock or personal injury. However, please note that these instructions and warnings are not substitutes for proper accident prevention measures.

**NOTE:** The following safety information is not meant to cover all possible conditions and situations that may occur. WEN reserves the right to change this product and specifications at any time without prior notice.

At WEN, we are continuously improving our products. If you find that your tool does not exactly match this manual, please visit [wenproducts.com](http://wenproducts.com) for the most up-to-date manual or contact our customer service at **1-800-232-1195**.

**Keep this manual available to all users during the entire life of the tool and review it frequently to maximize safety for both yourself and others.**

## **SPECIFICATIONS**

Model Number	31106
Compatibility	6-Foot Baker Style Scaffolding
Product Dimensions	69.3 in. x 29.25 in. x 41.4 in.
Product Weight	51.7 Pounds

# GENERAL SAFETY RULES

 **WARNING!** Read all safety warnings and all instructions. Failure to follow the warnings and instructions may result in electric shock, fire and/or serious injury.

Safety is a combination of common sense, staying alert and knowing how your item works. The term “power tool” in the warnings refers to your mains-operated (corded) power tool or battery-operated (cordless) power tool.

## SAVE THESE SAFETY INSTRUCTIONS.

### WORK AREA SAFETY

- 1. Keep work area clean and well lit.** Cluttered or dark areas invite accidents.
- 2. Do not operate power tools in explosive atmospheres, such as in the presence of flammable liquids, gases or dust.** Power tools create sparks which may ignite the dust or fumes.
- 3. Keep children and bystanders away while operating a power tool.** Distractions can cause you to lose control.

### ELECTRICAL SAFETY

- 1. Power tool plugs must match the outlet. Never modify the plug in any way. Do not use any adapter plugs with earthed (grounded) power tools.** Unmodified plugs and matching outlets will reduce risk of electric shock.
- 2. Avoid body contact with earthed or grounded surfaces such as pipes, radiators, ranges and refrigerators.** There is an increased risk of electric shock if your body is earthed or grounded.
- 3. Do not expose power tools to rain or wet conditions.** Water entering a power tool will increase the risk of electric shock.
- 4. Do not abuse the cord. Never use the cord for carrying, pulling or unplugging the power tool. Keep cord away from heat, oil, sharp edges or moving parts.** Damaged or entangled cords increase the risk of electric shock.
- 5. When operating a power tool outdoors, use an extension cord suitable for outdoor use.** Use of a cord suitable for outdoor use reduces the risk of electric shock.

- 6. If operating a power tool in a damp location is unavoidable, use a ground fault circuit interrupter (GFCI) protected supply.** Use of a GFCI reduces the risk of electric shock.

### PERSONAL SAFETY

- 1. Stay alert, watch what you are doing and use common sense when operating a power tool. Do not use a power tool while you are tired or under the influence of drugs, alcohol or medication.** A moment of inattention while operating power tools may result in serious personal injury.
- 2. Use personal protective equipment. Always wear eye protection.** Protective equipment such as a respiratory mask, non-skid safety shoes and hearing protection used for appropriate conditions will reduce the risk of personal injury.
- 3. Prevent unintentional starting. Ensure the switch is in the off-position before connecting to power source and/or battery pack, picking up or carrying the tool.** Carrying power tools with your finger on the switch or energizing power tools that have the switch on invites accidents.
- 4. Remove any adjusting key or wrench before turning the power tool on.** A wrench or a key left attached to a rotating part of the power tool may result in personal injury.
- 5. Do not overreach. Keep proper footing and balance at all times.** This enables better control of the power tool in unexpected situations.
- 6. Dress properly. Do not wear loose clothing or jewelry. Keep your hair and clothing away from moving parts.** Loose clothes, jewelry or long hair can be caught in moving parts.

# GENERAL SAFETY RULES

**⚠ WARNING!** Read all safety warnings and all instructions. Failure to follow the warnings and instructions may result in electric shock, fire and/or serious injury.

Safety is a combination of common sense, staying alert and knowing how your item works. The term “power tool” in the warnings refers to your mains-operated (corded) power tool or battery-operated (cordless) power tool.

## SAVE THESE SAFETY INSTRUCTIONS.

**7. If devices are provided for the connection of dust extraction and collection facilities, ensure these are connected and properly used.** Use of dust collection can reduce dust-related hazards.

### POWER TOOL USE AND CARE

**1. Do not force the power tool. Use the correct power tool for your application.** The correct power tool will do the job better and safer at the rate for which it was designed.

**2. Do not use the power tool if the switch does not turn it on and off.** Any power tool that cannot be controlled with the switch is dangerous and must be repaired.

**3. Disconnect the plug from the power source and/or the battery pack from the power tool before making any adjustments, changing accessories, or storing power tools.** Such preventive safety measures reduce the risk of starting the power tool accidentally.

**4. Store idle power tools out of the reach of children and do not allow persons unfamiliar with the power tool or these instructions to operate the power tool.** Power tools are dangerous in the hands of untrained users.

**5. Maintain power tools. Check for misalignment or binding of moving parts, breakage of parts and any other condition that may affect the power tool's operation. If damaged, have the power tool repaired before use.** Many accidents are caused by poorly maintained power tools.

**6. Keep cutting tools sharp and clean.** Properly maintained cutting tools with sharp cutting edges are less likely to bind and are easier to control.

**7. Use the power tool, accessories and tool bits, etc. in accordance with these instructions, taking into account the working conditions and the work to be performed.** Use of the power tool for operations different from those intended could result in a hazardous situation.

**8. Use clamps to secure your workpiece to a stable surface.** Holding a workpiece by hand or using your body to support it may lead to loss of control.

**9. KEEP GUARDS IN PLACE** and in working order.

### SERVICE

**1. Have your power tool serviced by a qualified repair person using only identical replacement parts.** This will ensure that the safety of the power tool is maintained.


### CALIFORNIA PROPOSITION 65 WARNING

Some dust created by power sanding, sawing, grinding, drilling, and other construction activities may contain chemicals, including lead, known to the State of California to cause cancer, birth defects, or other reproductive harm. Wash hands after handling. Some examples of these chemicals are:

- Lead from lead-based paints.
- Crystalline silica from bricks, cement, and other masonry products.
- Arsenic and chromium from chemically treated lumber.

Your risk from these exposures varies depending on how often you do this type of work. To reduce your exposure to these chemicals, work in a well-ventilated area with approved safety equipment such as dust masks specially designed to filter out microscopic particles.

# SCAFFOLDING & ACCESSORY SAFETY WARNINGS

 **WARNING!** Do not operate the power tool until you have read and understood the following instructions and the warning labels.

## GUARDRAIL SET SAFETY

### WORK AREA SAFETY

1. Keep your work area clean, uncluttered, and well lit. Cluttered areas invite injuries and accidents. Keep the ground clear of tripping hazards. Do not work on floor surfaces that are slippery with sawdust or wax.
2. Observe work area conditions. Keep bystanders at a safe distance from the work area. Never allow children or pets near the tool.
3. To avoid contact and shock hazard, do not use the scaffolding near energized power lines or electrical lines. Do not contact unprotected, energized electrical power lines or other power sources with the scaffolding or tools. Maintain at least 10 feet from electrical lines. Consult the power company to shut off the power or insulate/relocate lines if a job requires working closer than 10 feet to electrical lines.
4. Only assemble and use the scaffolding on a flat, level surface capable of supporting the tool with its maximum capacity load. It is easy to lose control if attempting to pull a load on a sloping or uneven surface.


### PERSONAL SAFETY

1. Wear ANSI Z87.1-approved impact safety goggles, a hard hat, heavy-duty work gloves and OSHA-specified safety harness during assembly and use. Wear additional safety gear as required by local, state and federal regulations.
2. Dress for safety. Do not wear loose clothing, neckties, or jewelry (rings, watches, etc.) Always wear non-slip footwear and tie back long hair.
3. Stay alert - watch what you're doing and use common sense when using the scaffolding. Do not use while you are tired or under the influence of drugs, alcohol or medication that may affect your ability to properly use the tool. A moment of inattention while using the scaffold may result in serious personal injury.

## SCAFFOLDING USE & CARE

1. Follow all current OSHA (Occupational Safety and Health Administration) guidelines for setup, use and maintenance of the scaffolding. Scaffolding safety regulations may change periodically. The operator is responsible for being familiar with and obeying current OSHA guidelines as well as local, state and federal regulations regarding the set-up and use of this product.
2. Use the right product for the job. There are certain applications for which this tool was designed. Unauthorized modification may damage the tool and/or cause personal injuries.
3. Check for damaged or worn out parts before using the scaffolding. Check for alignment of moving parts, jamming, breakage, improper mounting, or any other conditions that may affect the tool's operation. Any part that is damaged should be properly repaired or replaced before use. Do not attempt to straighten deformed parts, as this will weaken their structural integrity. Bent parts should be replaced immediately.
4. Make sure all guards and fasteners are secure after assembly or adjustments. All connections should be tight before operation.
5. Acids and other corrosive substances may severely affect the integrity of the scaffolding. Use extreme care around such materials and follow applicable instructions. Do not use acids or other corrosive substances on scaffolding parts, as they could corrode the metal and decrease its strength.
6. Immediately remove scaffolding from use and discard if exposed to excessive heat (such as fire), which could cause a loss of structural integrity.
7. Do not permit oil, grease, or other slippery material to accumulate on climbing or gripping surfaces.
8. Do not use the product if the platform surface is damaged or has deteriorated. Only use the included platform or an identical replacement platform. The platform must not extend beyond the base support.

## SCAFFOLDING & ACCESSORY SAFETY WARNINGS

 **WARNING!** Do not operate the power tool until you have read and understood the following instructions and the warning labels.

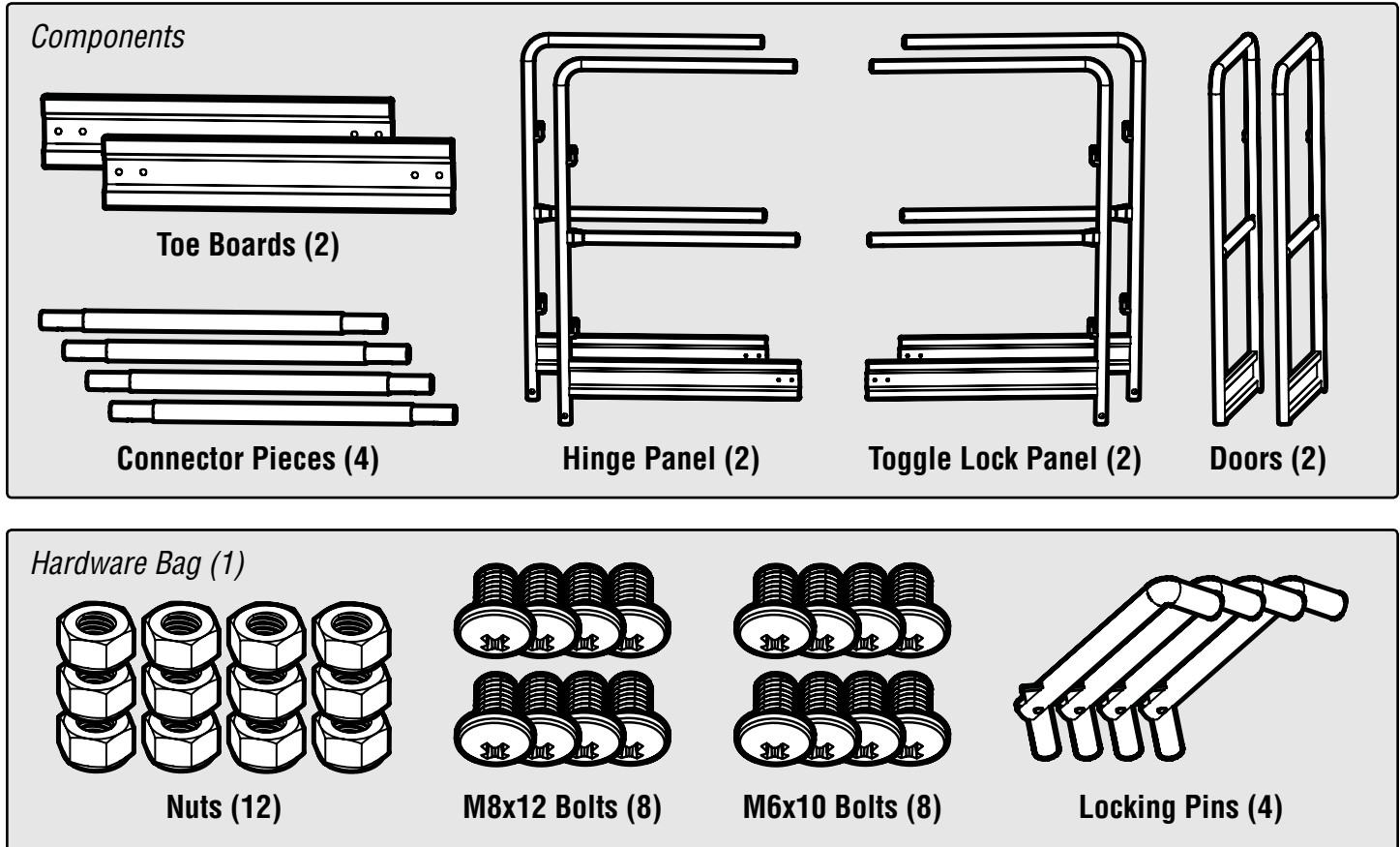
9. The maximum working load is 1000 pounds evenly distributed for one stage and 750 pounds combined for two stages. The total combined weight of workers and materials must not exceed the rated working load. Always keep weight evenly distributed.
  10. Be aware of dynamic loading: jumping on or suddenly dropping weight onto the scaffolding may briefly create an excess load, causing the product to fail.
  11. Do not ride on or transport items on scaffolding.
  12. Do not allow unstable objects or slippery materials to accumulate on the scaffolding.
  13. Do not use for cantilever applications. Use with supports directly underneath the scaffolding.
  14. Maintain labels and nameplates on the scaffolding. These carry important safety information. If unreadable or missing, contact WEN customer service for a replacement.
  15. Position the scaffolding on a hard, level surface. Make sure the working/standing surface is completely level and that the wheels are locked before getting on the scaffolding.
  16. Do not climb onto scaffold from a ladder unless both the scaffolding and the ladder are secured from movement in all directions. Do not use a ladder above the platform to reach greater heights.
  17. Use guard rails, mid rails and toe boards (not included) as required by local, state and federal regulations. Using such safety devices is always recommended.
  18. Scaffolds that are covered in ice or snow cannot be used until they are cleaned off thoroughly. Scaffolds must not be used during storms or in windy weather.
  19. Store idle scaffolding out of the reach of children and do not allow persons unfamiliar with the scaffold to climb on it or use it for any purpose. This item can be dangerous in the hands of untrained users.
  20. Have the scaffolding regularly serviced by a qualified person. Use only identical replacement parts and accessories. This will ensure a longer lifespan for the product and will also maximize safety.
  21. Never stack more than two units.
  22. Always use outriggers and guardrails when stacking units.
  23. Before scaffold units are to be stacked, a set of (4) Outriggers with casters shall be installed on the base section of scaffolding. The casters must be the same size as the casters in the base scaffold.
  24. Outrigger must be flush against scaffold leg and caster must be in contact with the surface.
  25. Guardrails must be installed on all open sides of a work platform where a person could fall from a height of 6 ft (1.8 m) or more.
  26. Always fasten the guardrails system to the structure using locking pins or bolts.
  27. There must be a minimum of two side braces installed on each scaffold level and evenly spaced throughout the scaffold. Lack of adequate bracing could cause scaffold to collapse.
  28. Always use casters locked to the structure with the locking pins.
  29. Do not climb unless all casters are in locked position.
  30. Lock the casters on the outriggers each time you lock the casters on the base scaffold. This is to be done prior to climbing the scaffolding.
- These safety instructions can't possibly warn of every scenario that may arise with this tool, so always make sure to stay alert and use common sense during operation.**



## UNPACKING & PACKING LIST

### UNPACKING

Carefully remove the guardrail set from the packaging and place it on a sturdy, flat surface. Make sure to take out all contents and accessories. Do not discard the packaging until everything is removed. Check the packing list below to make sure you have all of the parts and accessories. If any part is missing or broken, please contact customer service at **1-800-232-1195** (M-F 8-5 CST), or email [techsupport@wenproducts.com](mailto:techsupport@wenproducts.com).



**Tools needed for assembly (not included):** Phillips Head Screwdriver, Adjustable Wrench

## ASSEMBLY & ADJUSTMENTS

### ASSEMBLING THE GUARDRAIL SET

1. Connect the hinge and toggle lock panels together using two connector pieces and four M6x10 bolts. Repeat this step for the second set of hinge and toggle lock panels (Fig. 1 - 1).
2. Connect the bottom of the hinge and toggle lock panels together with a toe board and secure with four M8x12 bolts and four nuts. Repeat this step for the second set of hinge and toggle lock panels (Fig. 1 - 2).
3. Connect the door to the hinge panel by sliding the door hinges over the posts on the hinge panel and securing each with a nut. Repeat this step for the second hinge panel (Fig. 1 - 3). Do not overtighten the nut, or the doors will not be able to move.



# ASSEMBLY & ADJUSTMENTS

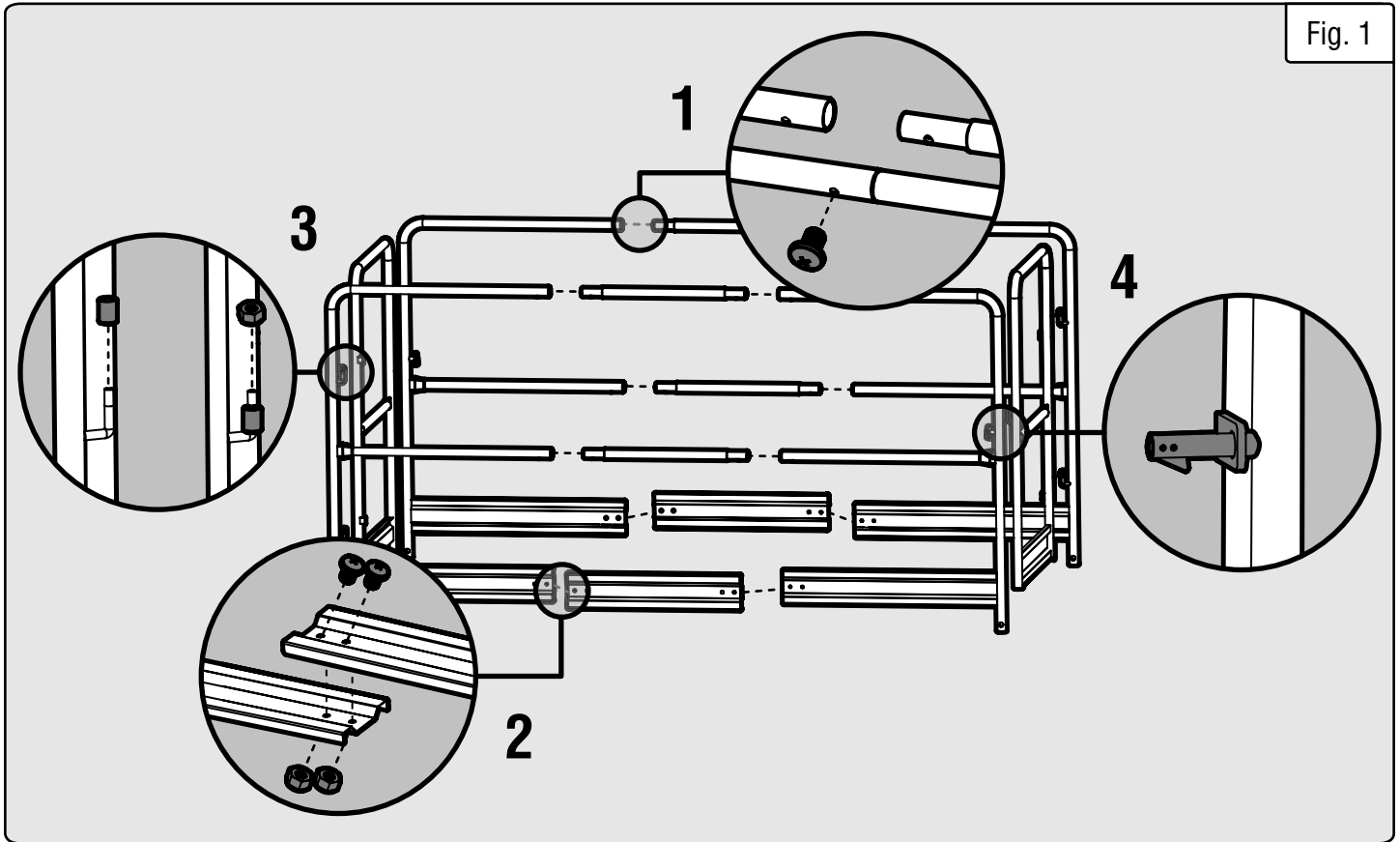


Fig. 1

## ASSEMBLING THE GUARDRAIL ONTO THE SCAFFOLDING

1. Assemble the scaffolding (**model 31110T**, sold separately), one or two frames high, by following the user manual.

**NOTE:** Always use outrigger and guardrails when stacking frames and never stack more than two units.

2. Install the first guardrail panel by inserting the two corner pegs into the sockets on the scaffolding side braces (Fig. 2). Secure the guardrail with two locking pins (Fig. 3 - 1). Make sure the end of the locking pin is flipped down and the pin cannot be accidentally knocked out. Make sure that the guardrail is firmly fastened to the platform and cannot be lifted. Repeat this step for the second guardrail panel.

3. Make sure that the access doors swing inward over the platform. Lock the access doors with the door latch on the toggle lock panel (Fig. 1 - 4). Always make sure the latch is secured and the door cannot swing open when someone is on the platform.

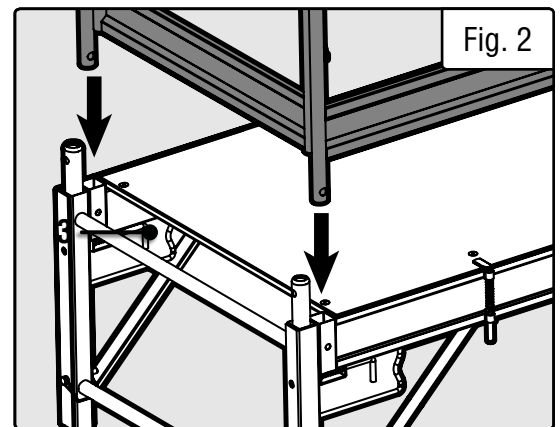


Fig. 2

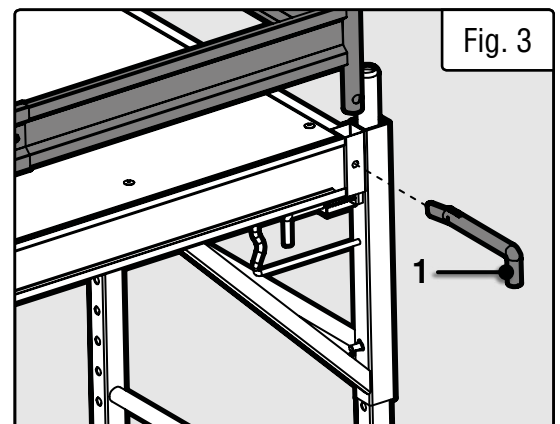


Fig. 3

## ***MAINTENANCE***

Procedures not specifically explained in this manual must be performed only by a qualified technician. Only a qualified technician may replace any parts or make any safety equipment additions to this scaffold.

**1. Before each use, inspect the general condition of the scaffold. Check for:**

- Cracking or deteriorating of the reinforced wood platform
- Cracked or loosen wheels or wheel locks
- Straightness/levelness of the platform and scaffolding
- Loose screws
- Misalignment of parts
- Cracked, bent or broken parts
- Any other condition that may affect its safe operation

2. Periodically coat wood decking and rails with transparent (penetrating) wood preservative. Do not paint or use opaque surface sealants - they may conceal serious problems.

3. Acids and other corrosive substances may severely affect the integrity of the scaffolding. Use extreme care around such materials and follow applicable instructions. Do not use acids or other corrosive substances on scaffolding parts, as they could corrode the metal and decrease its strength.

4. After use, clean the external surfaces with a clean cloth and store indoors in a safe, dry area away from children.

5. Use only identical replacement parts and accessories only. This will ensure a longer lifespan for the product and will also maximize safety. Replacement parts can be purchased by contacting our customer service at

**1-(800) 232-1195**, M-F 8-5 CST.

### **PRODUCT DISPOSAL**

The tool, accessories and packaging should be sorted for recycling instead of disposed of with household waste. Please take them to your local recycling facility for responsible disposal and to minimize the environmental impact.

## **WARRANTY STATEMENT**

WEN Products is committed to building tools that are dependable for years. Our warranties are consistent with this commitment and our dedication to quality.

### **LIMITED WARRANTY OF WEN PRODUCTS FOR HOME USE**

GREAT LAKES TECHNOLOGIES, LLC (“Seller”) warrants to the original purchaser only, that all WEN consumer power tools will be free from defects in material or workmanship during personal use for a period of two (2) years from date of purchase or 500 hours of use; whichever comes first. Ninety days for all WEN products if the tool is used for professional or commercial use. Purchaser has 30 days from the date of purchase to report missing or damaged parts.

SELLER’S SOLE OBLIGATION AND YOUR EXCLUSIVE REMEDY under this Limited Warranty and, to the extent permitted by law, any warranty or condition implied by law, shall be the replacement of parts, without charge, which are defective in material or workmanship and which have not been subjected to misuse, alteration, careless handling, misrepair, abuse, neglect, normal wear and tear, improper maintenance, or other conditions adversely affecting the Product or the component of the Product, whether by accident or intentionally, by persons other than Seller. To make a claim under this Limited Warranty, you must make sure to keep a copy of your proof of purchase that clearly defines the Date of Purchase (month and year) and the Place of Purchase. Place of Purchase must be a direct vendor of Great Lakes Technologies, LLC. Purchasing through third party vendors, including but not limited to garage sales, pawn shops, resale shops, or any other secondhand merchant, voids the warranty included with this product. Contact [techsupport@wenproducts.com](mailto:techsupport@wenproducts.com) or 1-800-232-1195 with the following information to make arrangements: your shipping address, phone number, serial number, required part numbers, and proof of purchase. Damaged or defective parts and products may need to be sent to WEN before the replacements can be shipped out.

Upon the confirmation of a WEN representative, your product may qualify for repairs and service work. When returning a product for warranty service, the shipping charges must be prepaid by the purchaser. The product must be shipped in its original container (or an equivalent), properly packed to withstand the hazards of shipment. The product must be fully insured with a copy of the proof of purchase enclosed. There must also be a description of the problem in order to help our repairs department diagnose and fix the issue. Repairs will be made and the product will be returned and shipped back to the purchaser at no charge for addresses within the contiguous United States.

THIS LIMITED WARRANTY DOES NOT APPLY TO ITEMS THAT WEAR OUT FROM REGULAR USAGE OVER TIME, INCLUDING BELTS, BRUSHES, BLADES, BATTERIES, ETC. ANY IMPLIED WARRANTIES SHALL BE LIMITED IN DURATION TO TWO (2) YEARS FROM DATE OF PURCHASE. SOME STATES IN THE U.S. AND SOME CANADIAN PROVINCES DO NOT ALLOW LIMITATIONS ON HOW LONG AN IMPLIED WARRANTY LASTS, SO THE ABOVE LIMITATION MAY NOT APPLY TO YOU.

IN NO EVENT SHALL SELLER BE LIABLE FOR ANY INCIDENTAL OR CONSEQUENTIAL DAMAGES (INCLUDING BUT NOT LIMITED TO LIABILITY FOR LOSS OF PROFITS) ARISING FROM THE SALE OR USE OF THIS PRODUCT. SOME STATES IN THE U.S. AND SOME CANADIAN PROVINCES DO NOT ALLOW THE EXCLUSION OR LIMITATION OF INCIDENTAL OR CONSEQUENTIAL DAMAGES, SO THE ABOVE LIMITATION OR EXCLUSION MAY NOT APPLY TO YOU.

THIS LIMITED WARRANTY GIVES YOU SPECIFIC LEGAL RIGHTS, AND YOU MAY ALSO HAVE OTHER RIGHTS WHICH VARY FROM STATE TO STATE IN THE U.S., PROVINCE TO PROVINCE IN CANADA AND FROM COUNTRY TO COUNTRY.

THIS LIMITED WARRANTY APPLIES ONLY TO ITEMS SOLD WITHIN THE UNITED STATES OF AMERICA, CANADA AND THE COMMONWEALTH OF PUERTO RICO. FOR WARRANTY COVERAGE WITHIN OTHER COUNTRIES, CONTACT THE WEN CUSTOMER SUPPORT LINE. FOR WARRANTY PARTS OR PRODUCTS REPAIRED UNDER WARRANTY SHIPPING TO ADDRESSES OUTSIDE OF THE CONTIGUOUS UNITED STATES, ADDITIONAL SHIPPING CHARGES MAY APPLY.

**THANKS FOR  
REMEMBERING**

