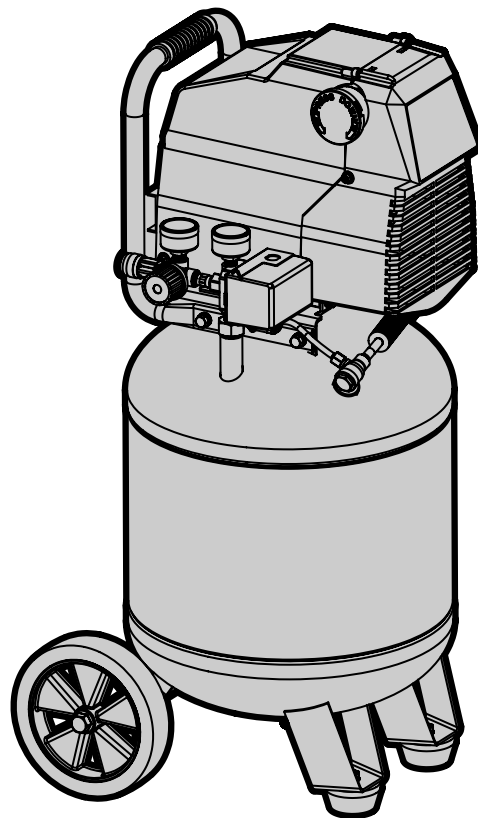




MODEL 2289, 2289T

10-GALLON AIR COMPRESSOR

Instruction Manual



NEED HELP? CONTACT US!

Have product questions? Need technical support? Please feel free to contact us:



1-800-232-1195 (M-F 8AM-5PM CST)



TECHSUPPORT@WENPRODUCTS.COM

IMPORTANT: Your new tool has been engineered and manufactured to WEN's highest standards for dependability, ease of operation, and operator safety. When properly cared for, this product will supply you years of rugged, trouble-free performance. Pay close attention to the rules for safe operation, warnings, and cautions. If you use your tool properly and for its intended purpose, you will enjoy years of safe, reliable service.

For replacement parts and the most up-to-date instruction manuals, visit ***WENPRODUCTS.COM***

CONTENTS

WELCOME	3
Introduction	3
Specifications.....	3
SAFETY	4
General Safety Rules	4
Air Compressor Safety Warnings.....	6
Electrical Information	7
BEFORE OPERATING	8
Know Your Air Compressor.....	8
Assembly & Adjustment.....	9
OPERATION & MAINTENANCE	9
Operation	9
Maintenance.....	11
Troubleshooting Guide.....	12
Exploded View & Parts List.....	13
Warranty Statement	15

To purchase replacement parts for your tool, visit ***WENPRODUCTS.COM***

INTRODUCTION

Thanks for purchasing the WEN Air Compressor. We know you are excited to put your tool to work, but first, please take a moment to read through the manual. Safe operation of this tool requires that you read and understand this operator's manual and all the labels affixed to the tool. This manual provides information regarding potential safety concerns, as well as helpful assembly and operating instructions for your tool.

⚠ SAFETY ALERT SYMBOL: Indicates danger, warning, or caution. The safety symbols and the explanations with them deserve your careful attention and understanding. Always follow the safety precautions to reduce the risk of fire, electric shock or personal injury. However, please note that these instructions and warnings are not substitutes for proper accident prevention measures.

NOTE: The following safety information is not meant to cover all possible conditions and situations that may occur. WEN reserves the right to change this product and specifications at any time without prior notice.

At WEN, we are continuously improving our products. If you find that your tool does not exactly match this manual, please visit wenproducts.com for the most up-to-date manual or contact our customer service at **1-800-232-1195**.

Keep this manual available to all users during the entire life of the tool and review it frequently to maximize safety for both yourself and others.

SPECIFICATIONS

Model Number	2289, 2289T
Motor	120V, 60 Hz, 15A
Capacity	10 Gallons
Maximum Pressure	150 PSIG
Air Outlet	Quick-Coupler, 1/4" NPT
Air Flow	4.0 SCFM at 90 PSI
	5.0 SCFM at 40 PSI
Approximate Cut-In Pressure	120 PSIG
Approximate Cut-Out Pressure	150 PSIG
Pump	Oil Free
Compression Process	Single Stage
Duty Cycle	50%
Product Dimensions	15" x 16" x 32"
Weight	72 Pounds

GENERAL SAFETY RULES

 **WARNING!** Read all safety warnings and all instructions. Failure to follow the warnings and instructions may result in electric shock, fire and/or serious injury.

Safety is a combination of common sense, staying alert and knowing how your item works. The term “power tool” in the warnings refers to your mains-operated (corded) power tool or battery-operated (cordless) power tool.

SAVE THESE SAFETY INSTRUCTIONS.

WORK AREA SAFETY

- 1. Keep work area clean and well lit.** Cluttered or dark areas invite accidents.
- 2. Do not operate power tools in explosive atmospheres, such as in the presence of flammable liquids, gases or dust.** Power tools create sparks which may ignite the dust or fumes.
- 3. Keep children and bystanders away while operating a power tool.** Distractions can cause you to lose control.

ELECTRICAL SAFETY

- 1. Power tool plugs must match the outlet. Never modify the plug in any way. Do not use any adapter plugs with earthed (grounded) power tools.** Unmodified plugs and matching outlets will reduce risk of electric shock.
- 2. Avoid body contact with earthed or grounded surfaces such as pipes, radiators, ranges and refrigerators.** There is an increased risk of electric shock if your body is earthed or grounded.
- 3. Do not expose power tools to rain or wet conditions.** Water entering a power tool will increase the risk of electric shock.
- 4. Do not abuse the cord. Never use the cord for carrying, pulling or unplugging the power tool. Keep cord away from heat, oil, sharp edges or moving parts.** Damaged or entangled cords increase the risk of electric shock.
- 5. When operating a power tool outdoors, use an extension cord suitable for outdoor use.** Use of a cord suitable for outdoor use reduces the risk of electric shock.

- 6. If operating a power tool in a damp location is unavoidable, use a ground fault circuit interrupter (GFCI) protected supply.** Use of a GFCI reduces the risk of electric shock.

PERSONAL SAFETY

- 1. Stay alert, watch what you are doing and use common sense when operating a power tool. Do not use a power tool while you are tired or under the influence of drugs, alcohol or medication.** A moment of inattention while operating power tools may result in serious personal injury.
- 2. Use personal protective equipment. Always wear eye protection.** Protective equipment such as a respiratory mask, non-skid safety shoes and hearing protection used for appropriate conditions will reduce the risk of personal injury.
- 3. Prevent unintentional starting. Ensure the switch is in the off-position before connecting to power source and/or battery pack, picking up or carrying the tool.** Carrying power tools with your finger on the switch or energizing power tools that have the switch on invites accidents.
- 4. Remove any adjusting key or wrench before turning the power tool on.** A wrench or a key left attached to a rotating part of the power tool may result in personal injury.
- 5. Do not overreach. Keep proper footing and balance at all times.** This enables better control of the power tool in unexpected situations.
- 6. Dress properly. Do not wear loose clothing or jewelry. Keep your hair and clothing away from moving parts.** Loose clothes, jewelry or long hair can be caught in moving parts.

GENERAL SAFETY RULES

 **WARNING!** Read all safety warnings and all instructions. Failure to follow the warnings and instructions may result in electric shock, fire and/or serious injury.

Safety is a combination of common sense, staying alert and knowing how your item works. The term “power tool” in the warnings refers to your mains-operated (corded) power tool or battery-operated (cordless) power tool.

SAVE THESE SAFETY INSTRUCTIONS.

7. If devices are provided for the connection of dust extraction and collection facilities, ensure these are connected and properly used. Use of dust collection can reduce dust-related hazards.

POWER TOOL USE AND CARE

1. Do not force the power tool. Use the correct power tool for your application. The correct power tool will do the job better and safer at the rate for which it was designed.

2. Do not use the power tool if the switch does not turn it on and off. Any power tool that cannot be controlled with the switch is dangerous and must be repaired.

3. Disconnect the plug from the power source and/or the battery pack from the power tool before making any adjustments, changing accessories, or storing power tools. Such preventive safety measures reduce the risk of starting the power tool accidentally.

4. Store idle power tools out of the reach of children and do not allow persons unfamiliar with the power tool or these instructions to operate the power tool. Power tools are dangerous in the hands of untrained users.

5. Maintain power tools. Check for misalignment or binding of moving parts, breakage of parts and any other condition that may affect the power tool's operation. If damaged, have the power tool repaired before use. Many accidents are caused by poorly maintained power tools.

6. Keep cutting tools sharp and clean. Properly maintained cutting tools with sharp cutting edges are less likely to bind and are easier to control.

7. Use the power tool, accessories and tool bits, etc. in accordance with these instructions, taking into account the working conditions and the work to be performed. Use of the power tool for operations different from those intended could result in a hazardous situation.

8. Use clamps to secure your workpiece to a stable surface. Holding a workpiece by hand or using your body to support it may lead to loss of control.

9. KEEP GUARDS IN PLACE and in working order.

SERVICE

1. Have your power tool serviced by a qualified repair person using only identical replacement parts. This will ensure that the safety of the power tool is maintained.


CALIFORNIA PROPOSITION 65 WARNING

Some dust created by power sanding, sawing, grinding, drilling, and other construction activities may contain chemicals, including lead, known to the State of California to cause cancer, birth defects, or other reproductive harm. Wash hands after handling. Some examples of these chemicals are:

- Lead from lead-based paints.
- Crystalline silica from bricks, cement, and other masonry products.
- Arsenic and chromium from chemically treated lumber.

Your risk from these exposures varies depending on how often you do this type of work. To reduce your exposure to these chemicals, work in a well-ventilated area with approved safety equipment such as dust masks specially designed to filter out microscopic particles.

AIR COMPRESSOR SAFETY WARNINGS

 **WARNING!** Do not operate the power tool until you have read and understood the following instructions and the warning labels.

AIR COMPRESSOR SAFETY

1. Do not use your air compressor if the pressure switch does not turn the compressor on and off. An air compressor that cannot be controlled with the switch is dangerous and must be repaired.
2. Disconnect the plug from the power source and drain all air from the tank before making any adjustments, changing accessories, or storing your air compressor. This reduces the risk of starting your air compressor accidentally.
3. Store your air compressor out of the reach of children and do not allow people unfamiliar with either the compressor or these instructions to operate it. An air compressor is dangerous in the hands of an untrained user.
4. Maintain your air compressor. Keep your air compressor clean for maximum performance. Follow the instruction for maintenance and changing accessories if necessary. Keep your air compressor dry, clean and free from oil and grease.
5. Check for misalignment or binding of moving parts, breakage of parts and any other condition that may affect your air compressor's operation. If damaged, have your air compressor repaired by a qualified service technician before using it again. Many accidents are caused by poorly maintained compressors.
6. Use your air compressor in accordance with these instructions, taking into account working conditions and the task at hand. Use of the compressor for operations other than its intended use could result in personal injury.
7. Do not spray flammable liquids in a confined area or towards a hot surface. The spray area must be well-ventilated. Do not smoke while spraying. Do not spray when a spark or flame is present.
8. Always operate the compressor in a well-ventilated area away from combustible materials, gasoline, or solvent vapors. Your air compressor must be kept at least 20 feet away from explosive vapors.
9. Do not adjust the regulator higher than the marked maximum pressure of any attached pneumatic tools or equipment.
10. Do not direct the air stream at people or animals.
11. Do not use to supply breathing air.
12. Do not leave your air compressor unattended for an extended period while plugged in. Unplug compressor and detach hoses and accessories after use.
13. Keep your air compressor in a well-ventilated area. Do not cover during use.
14. Drain tank daily or after use. Internal rust causes tank failures and explosions.
15. To prevent burns or other injuries, do not touch any exposed metal parts on compressor during or immediately after operation. The air compressor's cylinder head and air lines get hot during operation, and will remain hot for several minutes after operation.
16. Do not use the air hose to move your air compressor.
17. Do not grind, puncture, torch or in anyway modify the compressor's tank.
18. Ignoring any of the above rules and guidelines automatically voids the warranty for the unit.

ELECTRICAL INFORMATION

GROUNDING INSTRUCTIONS

In the event of a malfunction or breakdown, grounding provides the path of least resistance for an electric current and reduces the risk of electric shock. This tool is equipped with an electric cord that has an equipment grounding conductor and a grounding plug. The plug **MUST** be plugged into a matching outlet that is properly installed and grounded in accordance with ALL local codes and ordinances.

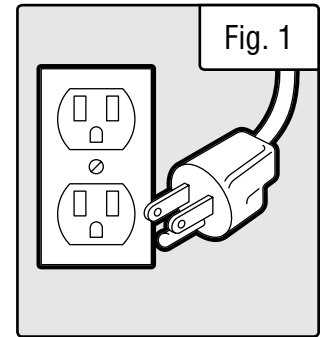
1. Do not modify the plug provided. If it will not fit the outlet, have the proper outlet installed by a licensed electrician.

2. Improper connection of the equipment grounding conductor can result in electric shock. The conductor with the green insulation (with or without yellow stripes) is the equipment grounding conductor. If repair or replacement of the electric cord or plug is necessary, **DO NOT** connect the equipment grounding conductor to a live terminal.

3. Check with a licensed electrician or service personnel if you do not completely understand the grounding instructions or whether the tool is properly grounded.

4. Use only three-wire extension cords that have three-pronged plugs and outlets that accept the tool's plug. Repair or replace a damaged or worn cord immediately.

CAUTION! In all cases, make certain the outlet in question is properly grounded. If you are not sure, have a licensed electrician check the outlet.



GUIDELINES AND RECOMMENDATIONS FOR EXTENSION CORDS

When using an extension cord, be sure to use one heavy enough to carry the current your product will draw. An undersized cord will cause a drop in line voltage resulting in loss of power and overheating. The table below shows the correct size to be used according to cord length and ampere rating. When in doubt, use a heavier cord. The smaller the gauge number, the heavier the cord.

AMPERAGE	REQUIRED GAUGE FOR EXTENSION CORDS			
	25 ft.	50 ft.	100 ft.	150 ft.
15A	14 gauge	12 gauge	Not Recommended	Not Recommended

1. Examine extension cord before use. Make sure your extension cord is properly wired and in good condition. Always replace a damaged extension cord or have it repaired by a qualified person before using it.

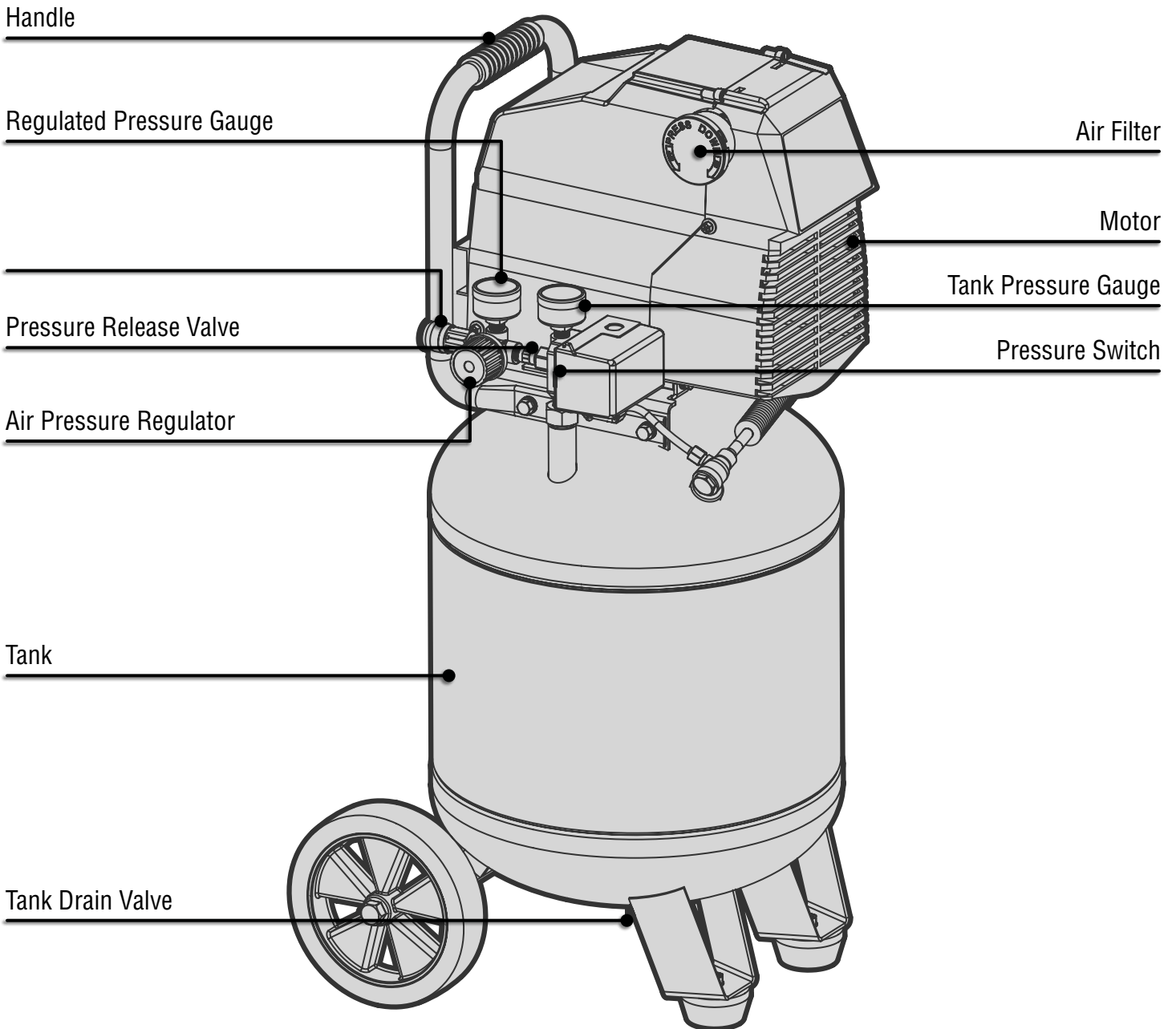
2. Do not abuse extension cord. Do not pull on cord to disconnect from receptacle; always disconnect by pulling on plug. Disconnect the extension cord from the receptacle before disconnecting the product from the extension cord. Protect your extension cords from sharp objects, excessive heat and damp/wet areas.

3. Use a separate electrical circuit for your tool. This circuit must not be less than a 12-gauge wire and should be protected with a 15A time-delayed fuse. Before connecting the motor to the power line, make sure the switch is in the OFF position and the electric current is rated the same as the current stamped on the motor nameplate. Running at a lower voltage will damage the motor.

KNOW YOUR AIR COMPRESSOR

TOOL PURPOSE

Plug in nailers, staplers, spray guns, or any other pneumatic tool to your WEN air compressor for a versatile and dependable set-up that answers a variety of woodworking and painting needs. Refer to the following diagrams to become familiarized with all the parts and controls of your air compressor. The components will be referred to later in the manual for assembly and operation instructions.



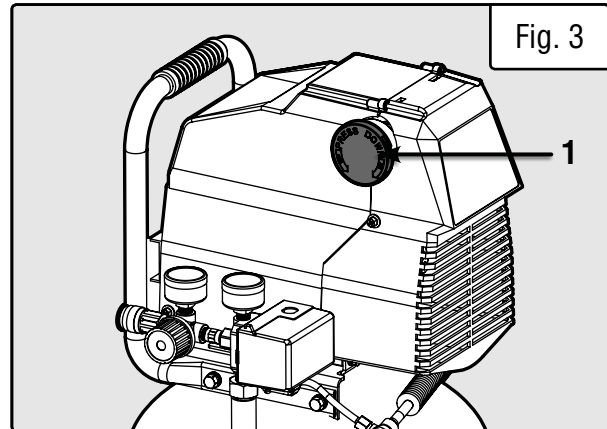
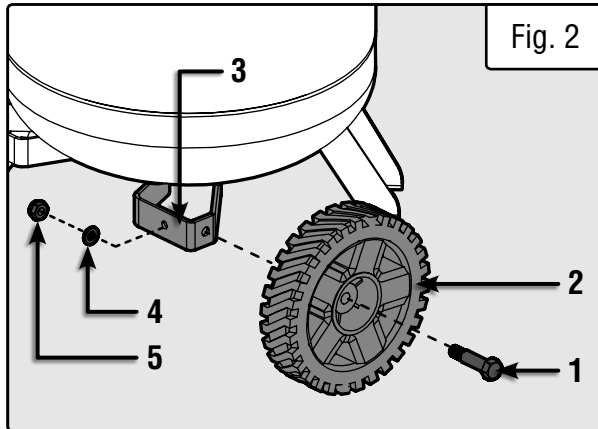
ASSEMBLY & ADJUSTMENTS

INSTALLING THE WHEELS

1. Insert the bolt (Fig. 2 - 1) into the wheel (Fig. 2 - 2), through the wheel bracket (Fig. 2 - 3), through the flat washer (Fig. 2 - 4), and install the nut (Fig. 2 - 5). Tighten the nut.

INSTALLING THE AIR FILTER

1. Remove the plastic plug as instructed on the yellow hang tag on the unit. Install the air filter (Fig. 3 - 1).



OPERATION

STARTING THE COMPRESSOR

1. Follow all instructions in the assembly guidelines outlined above before attempting to start the compressor. Do not start the compressor until the air filter has been properly installed.

2. Inspect the machine components to make sure that there are no damaged or worn parts. Replace any damaged parts immediately. Only repair using identical replacement parts.

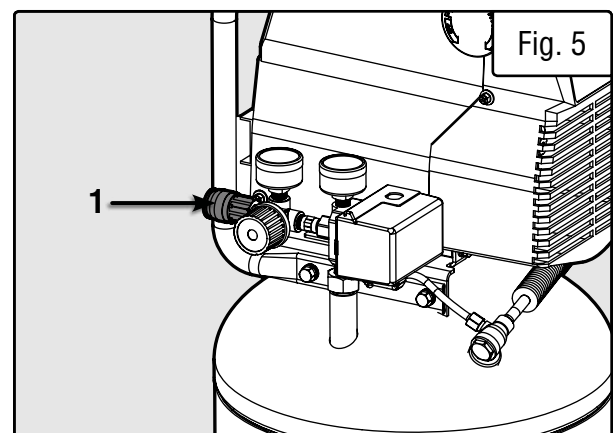
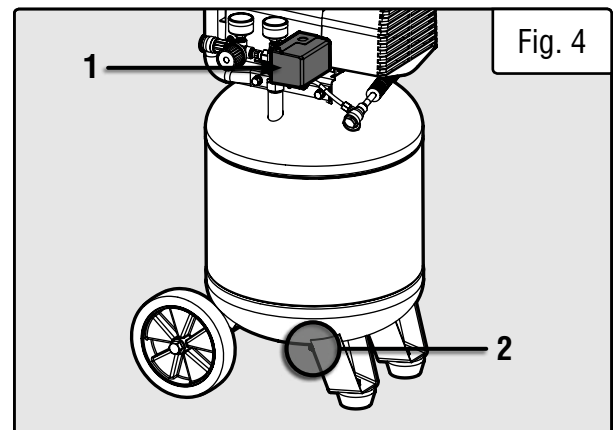
3. Check that the pressure switch (Fig. 4 - 1) is turned to the OFF position and the tank drain valve (Fig. 4 - 2) is closed.

4. Connect an air hose (not included) to the air line inlet (Fig. 5 - 1). The air hose must be rated to exceed the compressor's maximum pressure of 150 PSIG.

5. Connect the electrical plug to a power supply.

NOTE: The compressor must be at least one foot from any wall or obstruction and in a well-ventilated area in order to maximize proper air flow. Do not cover the compressor.

6. Turn the pressure switch (Fig. 4 - 1) to the ON/AUTO position to allow the compressor to automatically start up and shut down, depending on its need for air.

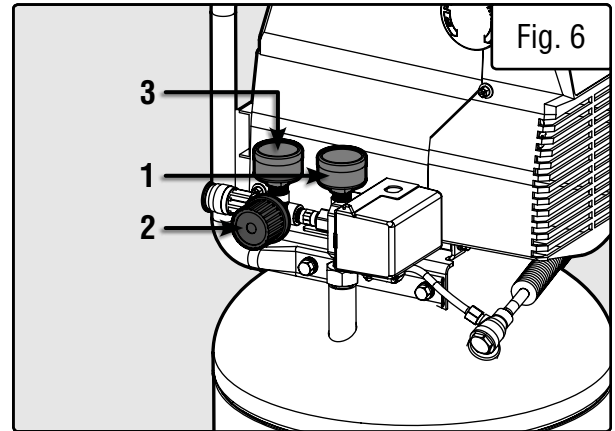


OPERATION

NOTE: the compressor will not turn ON if the tank pressure is above the cut-in pressure. Once the tank pressure drops below the cut-in pressure, the compressor will automatically start up, and then automatically shut down once the cut-out pressure is reached.

NOTE: make sure this switch is set to OFF before unplugging, plugging in, or storing the compressor.

⚠ WARNING! To prevent burns or other injuries, DO NOT touch the compressor while it is running. Allow it to cool before handling or servicing. Keep children away from the compressor at all times.



7. Allow the compressor to reach the desired pressure on the tank pressure gauge (Fig. 6 - 1) before turning off the compressor. If left on, the compressor will reach its maximum pressure of 150 PSIG and turn off automatically. Once the tank pressure drops to the preset cut-in pressure value, the compressor will automatically turn back on until it reaches its maximum tank pressure again. Check the tank pressure gauge (Fig. 6 - 1). DO NOT ALLOW THE COMPRESSOR TO FILL UP TO MORE THAN 150 PSIG.

8. Turn the air pressure regulator knob (Fig. 6 - 2) to the desired position in order to control the air output from the compressor. The regulated air pressure gauge (Fig. 6 - 3) will show you the current air pressure from the air line outlet. Make sure that this pressure is not higher than the working pressure of any pneumatic tools hooked up to the compressor. Using a pressure higher than the rated pressure of an attached tool creates the possibility of damaging or, in worse case scenarios, bursting said pneumatic tool. Using a pressure that is too low for a tool can result in misfires and improper functionality.

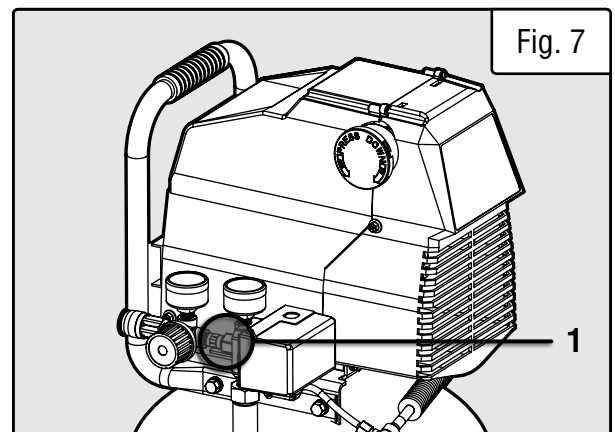
SHUTTING DOWN THE COMPRESSOR

1. Turn the pressure switch to the OFF position. Then unplug the power cord.

2. Reduce pressure in the tank through the outlet hose or by pulling the relief valve ring (Fig. 7 - 1).


3. Drain water from air tank by opening drain valve (counterclockwise) on the bottom of the tank.

⚠ WARNING! Wear safety goggles when opening drain valve. Escaping air and moisture may propel debris that may cause eye injury.



DUTY CYCLE

MAINTENANCE

 **WARNING!** Always shut off and unplug the compressor and relieve all air pressure from the system before performing any cleaning or inspection on the air compressor.

CLEAN AND INSPECT DAILY

1. Pull the pressure release valve ring to open the pressure release valve after each operation. The pressure release valve should automatically close when tank pressure reaches approximately 40 – 50 PSIG. If it does not automatically close, it needs to be replaced. Contact WEN customer service for assistance.
2. Open the tank drain valve underside the compressor to drain the tank daily after each operation. To minimize moisture inside of the unit, tip the compressor during drainage so that the drain valve is aimed directly towards the ground. This will allow all moisture to drain completely and prevent the tank from corrosion.
3. Wipe the tool clean. Blow the tool clean using compressed air (which, believe it or not, you can get from your air compressor), then use non-flammable cleaning solutions to wipe exterior of the tool as necessary, particularly before storage. Do not soak tool with cleaning solutions. Such solutions can damage internal parts. Keep the handle clean, dry, and free from slippery substances such as oil or grease.
4. Inspect the machine components before operation to make sure that there are no damaged or worn parts. Replace any damaged parts immediately. Do not operate if there are any damaged components. Only repair using identical replacement parts.
5. Do not overtighten connections to avoid creating leaks.
6. Your compressor is oil-free, and requires no external lubrication

AIR FILTER MAINTENANCE

Check the air filter weekly in a dirty shop environment, and monthly in a clean shop environment. Replace the air filter if it is clogged. A clean air filter will prolong the life of your compressor. Replacement air filters can be purchased from wenproducts.com.

TESTING FOR LEAKS

Make sure all connections are tight and secure before testing for leaks. A small leak in any hoses or connectors will greatly reduce the abilities of the compressor. To locate a leak, simply spray a mixture of soap and water across the entire surface of both the tank and the hose (wherever the leak is believed to be). Bubbles will begin to appear if a leak is indeed present. Fix immediately. Try to avoid getting soapy water near any of the inlets on the tank or the pump.

STORAGE

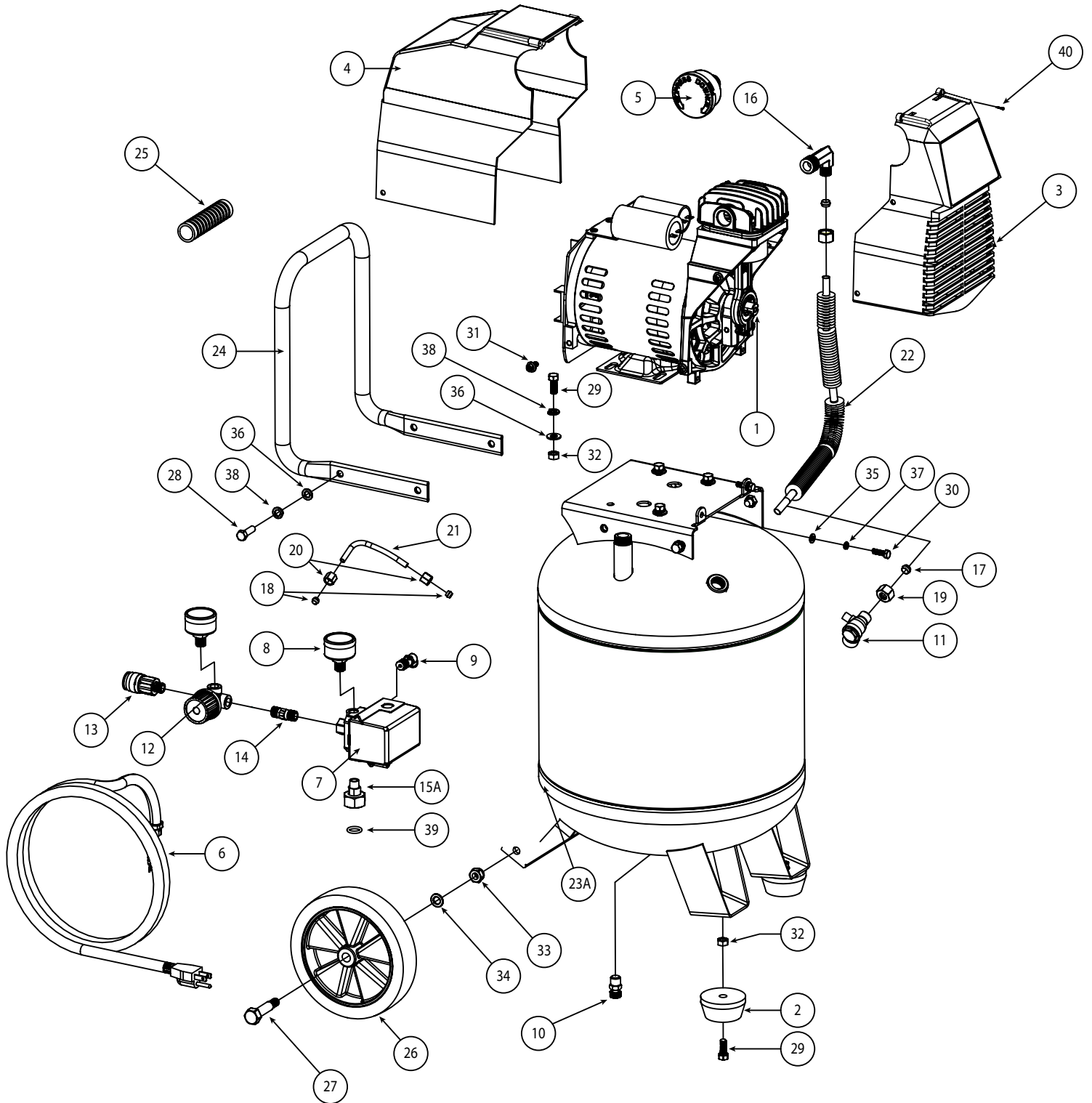
Before storing the compressor, drain the tank by opening the tank drain valve on the underside of the compressor (Fig. 4 - 2). This will drain the tank and help prevent moisture from collecting on and rusting the inside of the tank. Do not store your compressor in cold climates, as cold climates may create problems with the motor and pump seals, while possibly freezing water condensation inside the tank.

TROUBLESHOOTING GUIDE

⚠ WARNING! Stop using the generator immediately if any of the following problems occur or risk serious personal injury. If you have any questions, please contact customer service at **1-800-232-1195** (M-F 8-5 CST), or email techsupport@wenproducts.com.

Problem	Possible Cause	Solution
Air leaks from the regulator. Regulator does not regulate pressure anymore.	Regulator is damaged or dirty.	Replace regulator. Call 1-800-232-1195 for assistance.
Low pressure, and/or compressor does not cut out automatically.	Tank drain valve is open.	Close drain valve.
	Leak somewhere on the unit, air hose, connection, etc.	Check for leaks; see “Testing for Leaks” on p. 11. WARNING: If tank leaks, it must be replaced immediately. DO NOT attempt to repair.
	Tool using too much air, or compressor is too small.	Check tool’s CFM requirements. Make sure this compressor’s specifications meet the requirements.
	Air intake obstructed, or air filter dirty.	Make sure unit is away from walls, and that the air inlets are not obstructed. Check air filter.
	Worn pressure switch contacts.	Check contacts; pressure switch may need replacement.
	Blown gasket/seal, or leaking valve/piston ring(s).	Replace parts. Contact 1-800-232-1195 for assistance.
Motor does not start (humming sound).	Bad capacitor.	Replace part. Contact 1-800-232-1195 for assistance.
	Centrifugal switch is stuck.	Reset centrifugal switch. Call 1-800-232-1195 for assistance.
Motor does not start (no humming sound).	Power source is not working.	Check power source. Ensure line voltage is high enough and extension cord (if applicable) is an appropriate size.
	Check valve stuck open.	Clean or replace check valve. Call 1-800-232-1195 for assistance.
Pressure relief valve opens automatically at improper pressure.	Tank pressure is too high, or pressure switch is stuck.	Replace pressure switch. Call 1-800-232-1195 for assistance.

EXPLODED VIEW & PARTS LIST



NOTE: Not all parts may be available for purchase. Parts and accessories that wear down over the course of normal use are not covered under the warranty.

EXPLODED VIEW & PARTS LIST

No.	Model No.	Description	Qty.
1	2289-001	Pump Assembly	1
2	2289-002	Rubber Foot	2
3	2289-003B	Shroud Front	1
4	2289-004B	Shroud Rear	1
5	2289-005	Air Filter Intake Housing	1
6	2289-006	6' Power Cord	1
7	2289-007	Pressure Switch	1
8	2289-008	Pressure Gauge	2
9	2289-009	Safety Valve	1
10	2289-010	Drain Valve	1
11	2289-011	Check Valve	1
12	2289-012	Regulator	1
13	2289-013	Quick Connect Fitting	1
14	2289-014	Nipple 35mm	1
15A	2289-015A	Vertical Pipe Nipple Assembly	1
16	2289-016	Exhaust Elbow	1
17	2289-017	3/8" Ferrule Tubing	2
18	2289-018	1/4" Ferrule Tubing	2
19	2289-019	3/8" Nut	2
20	2289-020	1/4" Nut	2

No.	Model No.	Description	Qty.
21	2289-021	Relief Tube	1
22	2289-022	Outlet Tube	1
23A	2289-023A	10-Gallon Tank	1
24	2289-024	Handle	1
25	2289-025	Rubber Grip	1
26	2289-026	Wheel	2
27	2289-027	Bolt M10x1.25x55	2
28	2289-028	Hex Bolt M8x1.25x25mm	4
29	2289-029	Hex Bolt M8x1.25x20mm	6
30	2289-030	Hex Bolt M6x1.0x20	2
31	2289-031	Hex Bolt M6x1x12mm	6
32	2289-032	Hex Nut M8	6
33	2289-033	Nylon Hex Nut M10x1.25	2
34	2289-034	Flat Washer M10	2
35	2289-035	Flat Washer 6mm	2
36	2289-036	Flat Washer 8mm	8
37	2289-037	Lock Washer 6mm	2
38	2289-038	Lock Washer M8	8
39	2289-039	O Ring	1
40	2289-040	Screw	2

NOTE: Not all parts may be available for purchase. Parts and accessories that wear down over the course of normal use are not covered under the warranty.

WARRANTY STATEMENT

WEN Products is committed to building tools that are dependable for years. Our warranties are consistent with this commitment and our dedication to quality.

LIMITED WARRANTY OF WEN PRODUCTS FOR HOME USE

GREAT LAKES TECHNOLOGIES, LLC (“Seller”) warrants to the original purchaser only, that all WEN consumer power tools will be free from defects in material or workmanship during personal use for a period of two (2) years from date of purchase or 500 hours of use; whichever comes first. Ninety days for all WEN products if the tool is used for professional or commercial use. Purchaser has 30 days from the date of purchase to report missing or damaged parts.

SELLER’S SOLE OBLIGATION AND YOUR EXCLUSIVE REMEDY under this Limited Warranty and, to the extent permitted by law, any warranty or condition implied by law, shall be the replacement of parts, without charge, which are defective in material or workmanship and which have not been subjected to misuse, alteration, careless handling, misrepair, abuse, neglect, normal wear and tear, improper maintenance, or other conditions adversely affecting the Product or the component of the Product, whether by accident or intentionally, by persons other than Seller. To make a claim under this Limited Warranty, you must make sure to keep a copy of your proof of purchase that clearly defines the Date of Purchase (month and year) and the Place of Purchase. Place of Purchase must be a direct vendor of Great Lakes Technologies, LLC. Purchasing through third party vendors, including but not limited to garage sales, pawn shops, resale shops, or any other secondhand merchant, voids the warranty included with this product. Contact techsupport@wenproducts.com or 1-800-232-1195 with the following information to make arrangements: your shipping address, phone number, serial number, required part numbers, and proof of purchase. Damaged or defective parts and products may need to be sent to WEN before the replacements can be shipped out.

Upon the confirmation of a WEN representative, your product may qualify for repairs and service work. When returning a product for warranty service, the shipping charges must be prepaid by the purchaser. The product must be shipped in its original container (or an equivalent), properly packed to withstand the hazards of shipment. The product must be fully insured with a copy of the proof of purchase enclosed. There must also be a description of the problem in order to help our repairs department diagnose and fix the issue. Repairs will be made and the product will be returned and shipped back to the purchaser at no charge for addresses within the contiguous United States.

THIS LIMITED WARRANTY DOES NOT APPLY TO ITEMS THAT WEAR OUT FROM REGULAR USAGE OVER TIME, INCLUDING BELTS, BRUSHES, BLADES, BATTERIES, ETC. ANY IMPLIED WARRANTIES SHALL BE LIMITED IN DURATION TO TWO (2) YEARS FROM DATE OF PURCHASE. SOME STATES IN THE U.S. AND SOME CANADIAN PROVINCES DO NOT ALLOW LIMITATIONS ON HOW LONG AN IMPLIED WARRANTY LASTS, SO THE ABOVE LIMITATION MAY NOT APPLY TO YOU.

IN NO EVENT SHALL SELLER BE LIABLE FOR ANY INCIDENTAL OR CONSEQUENTIAL DAMAGES (INCLUDING BUT NOT LIMITED TO LIABILITY FOR LOSS OF PROFITS) ARISING FROM THE SALE OR USE OF THIS PRODUCT. SOME STATES IN THE U.S. AND SOME CANADIAN PROVINCES DO NOT ALLOW THE EXCLUSION OR LIMITATION OF INCIDENTAL OR CONSEQUENTIAL DAMAGES, SO THE ABOVE LIMITATION OR EXCLUSION MAY NOT APPLY TO YOU.

THIS LIMITED WARRANTY GIVES YOU SPECIFIC LEGAL RIGHTS, AND YOU MAY ALSO HAVE OTHER RIGHTS WHICH VARY FROM STATE TO STATE IN THE U.S., PROVINCE TO PROVINCE IN CANADA AND FROM COUNTRY TO COUNTRY.

THIS LIMITED WARRANTY APPLIES ONLY TO ITEMS SOLD WITHIN THE UNITED STATES OF AMERICA, CANADA AND THE COMMONWEALTH OF PUERTO RICO. FOR WARRANTY COVERAGE WITHIN OTHER COUNTRIES, CONTACT THE WEN CUSTOMER SUPPORT LINE. FOR WARRANTY PARTS OR PRODUCTS REPAIRED UNDER WARRANTY SHIPPING TO ADDRESSES OUTSIDE OF THE CONTIGUOUS UNITED STATES, ADDITIONAL SHIPPING CHARGES MAY APPLY.

**THANKS FOR
REMEMBERING**

