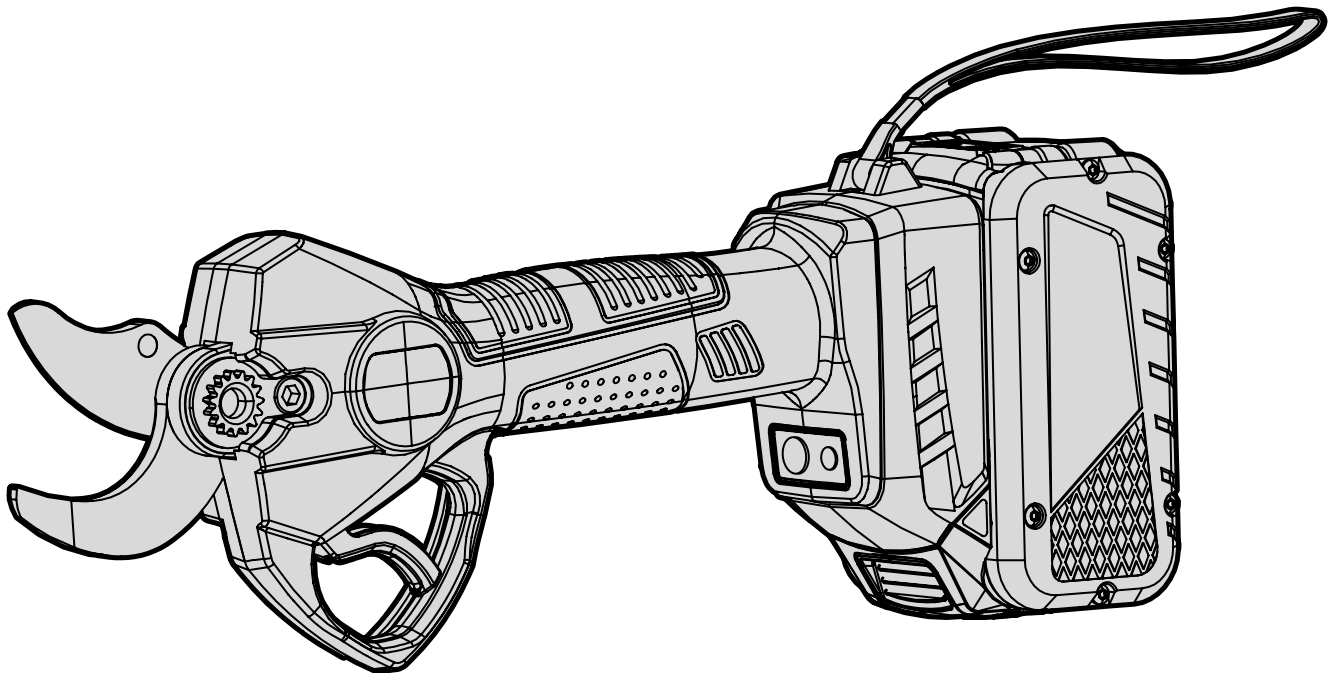




MODEL 20731, 20731BT

20V MAX CORDLESS BRUSHLESS PRUNER SHEARS

Instruction Manual



NEED HELP? CONTACT US!

Have product questions? Need technical support? Please feel free to contact us:



1-847-429-9263 (M-F 8AM-5PM CST)



TECHSUPPORT@WENPRODUCTS.COM

IMPORTANT: Your new tool has been engineered and manufactured to WEN's highest standards for dependability, ease of operation, and operator safety. When properly cared for, this product will supply you years of rugged, trouble-free performance. Pay close attention to the rules for safe operation, warnings, and cautions. If you use your tool properly and for its intended purpose, you will enjoy years of safe, reliable service.

For replacement parts and the most up-to-date instruction manuals, visit ***WENPRODUCTS.COM***

CONTENTS

WELCOME	3
Introduction	3
Specifications.....	3
SAFETY	4
General Safety Rules.....	4
Pruner Shear Safety Warnings.....	6
Electrical Information (Charger).....	7
Battery & Charger Safety Warnings	8
BEFORE OPERATING	10
Unpacking & Packing List.....	10
Know Your Pruner Shears.....	11
Assembly & Adjustments.....	12
OPERATION & MAINTENANCE	13
Operation	13
Maintenance.....	14
Exploded View & Parts List.....	17
Warranty Statement.....	19

To purchase accessories and replacement parts for your tool, visit ***WENPRODUCTS.COM***

20V 2.0Ah Max Battery (Model 20202, 20202B, 20202D)

20V 4.0Ah Max Battery (Model 20204, 20204B, and 20204D)

20V 5.0Ah Max Battery (Model 20205)

20V 2A Charger (Model 20200C)


20V 2A Dual Port Charger (Model 20200D)

20V 5A Quick Charger (Model 20201Q)

WEN plans to continue to add more items to our 20V line. For an up-to-date list of the 20V cordless tools compatible with the included battery and charger, visit **wenproducts.com** and search model number 20202 (2Ah), 20204 (4Ah), 2 or 20205 (5Ah). In the battery's description, there will be a list of current products that this battery can be used with.

INTRODUCTION

Thanks for purchasing this WEN product. We know you are excited to put your tool to work, but first, please take a moment to read through the manual. Safe operation of this tool requires that you read and understand this operator's manual and all the labels affixed to the tool. This manual provides information regarding potential safety concerns, as well as helpful assembly and operating instructions for your tool.

 Indicates danger, warning, or caution. The safety symbols and the explanations with them deserve your careful attention and understanding. Always follow the safety precautions to reduce the risk of fire, electric shock or personal injury. However, please note that these instructions and warnings are not substitutes for proper accident prevention measures.

NOTE: The following safety information is not meant to cover all possible conditions and situations that may occur. WEN reserves the right to change this product and specifications at any time without prior notice.

At WEN, we are continuously improving our products. If you find that your tool does not exactly match this manual, please visit wenproducts.com for the most up-to-date manual or contact our customer service at **1-847-429-9263**.

Keep this manual available to all users during the entire life of the tool and review it frequently to maximize safety for both yourself and others.

SPECIFICATIONS

Model Number	20731, 20731BT
Included Battery*	2.0Ah Battery (Model 20202)*
Included Charger*	20V, 2A DC (Model 20200C)*
Max Cutting Diameter	1-3/16 in. (30mm)
Cutting Diameter Presets	1 in. and 1-3/16 in.
Blade Lubricating Oil	General-Purpose Machine Oil (Not Included)
Product Weight	Without Battery: 2 lbs
	With 2Ah Battery: 3 lbs
Product Dimensions	11.22 in. x 4.72 in. x 2.36 in.

Battery Models**	All WEN 20V MAX Batteries**
Charger Models	All WEN 20V MAX Chargers

***NOTE:** Battery and charger only included with model 20731. 20731BT does not include a battery or charger.

****NOTE:** Some tools may not be compatible with WEN 20V MAX 1.5Ah Batteries, model 49120B. Contact WEN customer service at **1-847-429-9263**, M-F with questions.

GENERAL SAFETY RULES

 **WARNING!** Read all safety warnings and all instructions. Failure to follow the warnings and instructions may result in electric shock, fire and/or serious injury.

Safety is a combination of common sense, staying alert and knowing how your item works. The term “power tool” in the warnings refers to your mains-operated (corded) power tool or battery-operated (cordless) power tool.

SAVE THESE SAFETY INSTRUCTIONS.

WORK AREA SAFETY

- 1. Keep work area clean and well lit.** Cluttered or dark areas invite accidents.
- 2. Do not operate power tools in explosive atmospheres, such as in the presence of flammable liquids, gases or dust.** Power tools create sparks which may ignite the dust or fumes.
- 3. Keep children and bystanders away while operating a power tool.** Distractions can cause you to lose control.

ELECTRICAL SAFETY

- 1. Power tool plugs must match the outlet. Never modify the plug in any way. Do not use any adapter plugs with earthed (grounded) power tools.** Unmodified plugs and matching outlets will reduce risk of electric shock.
- 2. Avoid body contact with earthed or grounded surfaces such as pipes, radiators, ranges and refrigerators.** There is an increased risk of electric shock if your body is earthed or grounded.
- 3. Do not expose power tools to rain or wet conditions.** Water entering a power tool will increase the risk of electric shock.
- 4. Do not abuse the cord. Never use the cord for carrying, pulling or unplugging the power tool. Keep cord away from heat, oil, sharp edges or moving parts.** Damaged or entangled cords increase the risk of electric shock.
- 5. When operating a power tool outdoors, use an extension cord suitable for outdoor use.** Use of a cord suitable for outdoor use reduces the risk of electric shock.

6. If operating a power tool in a damp location is unavoidable, use a ground fault circuit interrupter (GFCI) protected supply. Use of a GFCI reduces the risk of electric shock.

PERSONAL SAFETY

- 1. Stay alert, watch what you are doing and use common sense when operating a power tool. Do not use a power tool while you are tired or under the influence of drugs, alcohol or medication.** A moment of inattention while operating power tools may result in serious personal injury.
- 2. Use personal protective equipment. Always wear eye protection.** Protective equipment such as a respiratory mask, non-skid safety shoes and hearing protection used for appropriate conditions will reduce the risk of personal injury.
- 3. Prevent unintentional starting. Ensure the switch is in the off-position before connecting to power source and/or battery pack, picking up or carrying the tool.** Carrying power tools with your finger on the switch or energizing power tools that have the switch on invites accidents.
- 4. Remove any adjusting key or wrench before turning the power tool on.** A wrench or a key left attached to a rotating part of the power tool may result in personal injury.
- 5. Do not overreach. Keep proper footing and balance at all times.** This enables better control of the power tool in unexpected situations.
- 6. Dress properly. Do not wear loose clothing or jewelry. Keep your hair and clothing away from moving parts.** Loose clothes, jewelry or long hair can be caught in moving parts.

GENERAL SAFETY RULES

⚠ WARNING! Read all safety warnings and all instructions. Failure to follow the warnings and instructions may result in electric shock, fire and/or serious injury.

Safety is a combination of common sense, staying alert and knowing how your item works. The term “power tool” in the warnings refers to your mains-operated (corded) power tool or battery-operated (cordless) power tool.

SAVE THESE SAFETY INSTRUCTIONS.

7. If devices are provided for the connection of dust extraction and collection facilities, ensure these are connected and properly used. Use of dust collection can reduce dust-related hazards.

POWER TOOL USE AND CARE

1. Do not force the power tool. Use the correct power tool for your application. The correct power tool will do the job better and safer at the rate for which it was designed.

2. Do not use the power tool if the switch does not turn it on and off. Any power tool that cannot be controlled with the switch is dangerous and must be repaired.

3. Disconnect the plug from the power source and/or the battery pack from the power tool before making any adjustments, changing accessories, or storing power tools. Such preventive safety measures reduce the risk of starting the power tool accidentally.

4. Store idle power tools out of the reach of children and do not allow persons unfamiliar with the power tool or these instructions to operate the power tool. Power tools are dangerous in the hands of untrained users.

5. Maintain power tools. Check for misalignment or binding of moving parts, breakage of parts and any other condition that may affect the power tool's operation. If damaged, have the power tool repaired before use. Many accidents are caused by poorly maintained power tools.

6. Keep cutting tools sharp and clean. Properly maintained cutting tools with sharp cutting edges are less likely to bind and are easier to control.

7. Use the power tool, accessories and tool bits, etc. in accordance with these instructions, taking into account the working conditions and the work to be performed. Use of the power tool for operations different from those intended could result in a hazardous situation.

8. Use clamps to secure your workpiece to a stable surface. Holding a workpiece by hand or using your body to support it may lead to loss of control.

9. KEEP GUARDS IN PLACE and in working order.

SERVICE

1. Have your power tool serviced by a qualified repair person using only identical replacement parts. This will ensure that the safety of the power tool is maintained.


CALIFORNIA PROPOSITION 65 WARNING


Some dust created by power sanding, sawing, grinding, drilling, and other construction activities may contain chemicals, including lead, known to the State of California to cause cancer, birth defects, or other reproductive harm. Wash hands after handling. Some examples of these chemicals are:

- Lead from lead-based paints.
- Crystalline silica from bricks, cement, and other masonry products.
- Arsenic and chromium from chemically treated lumber.

Your risk from these exposures varies depending on how often you do this type of work. To reduce your exposure to these chemicals, work in a well-ventilated area with approved safety equipment such as dust masks specially designed to filter out microscopic particles.

PRUNER SHEARS SAFETY WARNINGS

 **WARNING!** Do not operate the power tool until you have read and understood the following instructions and the warning labels.

 **DANGER!** Keep hands away from the blade. Contact with the blade will result in personal injury.

PRUNER SHEARS SAFETY

1. TOOL PURPOSE. The purpose of your pruner shears is to remove small branches. Do not push it beyond its limits or capacities. Using the pruner shears in a way for which it was not designed can result in serious injuries, machine damage, and voiding of the warranty.

2. Hold the pruner shears by the insulated gripping surfaces only. If the pruner shears contact a live wire, the exposed metal parts may become live and could cause electric shock. Always maintain a firm grip on the handle while cutting to avoid loss of control.

3. Keep all parts of the body away from the blades. Do not remove cut material or hold material to be cut when the blades are moving. The blades will continue to move after the switch has been turned OFF. A moment of inattention while operating the tool may result in serious personal injury.

4. Keep bystanders, especially children, at a safe distance away from the shears during operation.

5. Wear eye and hearing protection. Always wear eye protection with side shields marked to comply with ANSI Z87.1, along with head protection. Following this rule will reduce the risk of serious personal injury.

6. Clear the area to be cut before each use. Remove all objects such as cords, lights, wires, and loose strings which can become entangled in the cutting blade or create a tripping hazard.

7. Before starting the power tool, make sure the blade is not in contact with any objects. Stop the tool, remove the battery, and make sure the blade has stopped completely before setting the tool down.

8. Never cut any materials with a diameter larger than 1-3/16 inches (30mm).

9. Always stop the motor when the cutting is delayed or when walking from one cutting location to the next.

10. Keep the tool clean of clippings and other debris. They may become lodged in the cutting blades.

11. Store the unit inside in a dry place with the blade guard installed, remove the battery from the tool, and keep out of the reach of children and untrained individuals.

12. Never douse or squirt the unit with water or any other liquid. Keep hands dry, clean, and free from debris.

13. Clean after every use. See maintenance instructions for more information.

14. Secure the unit while transporting.

15. Do not use the tool in bad weather conditions.

16. Keep all power cords and cables away from the cutting area. Power cords or cables may be hidden and can be accidentally cut by the blade.

17. When clearing jammed material or servicing the tool, make sure the power switch is OFF and the battery is removed from the tool. Accidental startups may occur and cause serious personal injury.

18. Carry the tool properly to avoid serious personal injury.

19. When transporting or storing the tool, always remove the battery pack from the tool and install the blade cover. Proper handling of the tool will decrease the risk of personal injury from the blades.

20. Do not grasp the exposed cutting blades or edges when picking up or handling the tool.

21. Remove the battery pack before adjusting, cleaning, or storing the tool. Always remove the battery when the tool is not in use.

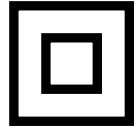
22. Only use this tool with the batteries and chargers listed.

23. Save these instructions. Refer to them frequently and use them to instruct others who may use this tool.

ELECTRICAL INFORMATION (CHARGER)

DOUBLE-INSULATED CHARGER

The charger's electrical system is double-insulated where two systems of insulation are provided. This eliminates the need for the usual three-wire grounded power cord. Double-insulated tools do not need to be grounded, nor should a means for grounding be added to the product. All exposed metal parts are isolated from the internal metal components with protecting insulation.



IMPORTANT: Servicing a double-insulated product requires extreme care and knowledge of the system, and should be done only by qualified service personnel using identical replacement parts. Always use original factory replacement parts when servicing.

1. Polarized Plugs. To reduce the risk of electric shock, this equipment has a polarized plug (one blade is wider than the other). This plug will fit in a polarized outlet only one way. If the plug does not fit fully in the outlet, reverse the plug. If it still does not fit, contact a qualified electrician to install a proper outlet. Do not modify the machine plug or the extension cord in any way.

2. Ground fault circuit interrupter protection (GFCI) should be provided on the circuit or outlet used for this power tool to reduce the risk of electric shock.

3. Service and repair. To avoid danger, electrical appliances must only be repaired by a qualified service technician using original replacement parts.

GUIDELINES AND RECOMMENDATIONS FOR EXTENSION CORDS

When using an extension cord, be sure to use one heavy enough to carry the current your product will draw. An undersized cord will cause a drop in line voltage, resulting in loss of power and overheating. The table below shows the correct size to be used according to cord length and ampere rating. When in doubt, use a heavier cord. The smaller the gauge number, the heavier the cord.

AMPERAGE	REQUIRED GAUGE FOR EXTENSION CORDS			
	25 ft.	50 ft.	100 ft.	150 ft.
2A	18 gauge	16 gauge	16 gauge	14 gauge

1. Examine extension cord before use. Make sure your extension cord is properly wired and in good condition. Always replace a damaged extension cord or have it repaired by a qualified person before using it.

2. Do not abuse extension cord. Do not pull on cord to disconnect from receptacle; always disconnect by pulling on plug. Disconnect the extension cord from the receptacle before disconnecting the product from the extension cord. Protect your extension cords from sharp objects, excessive heat and damp/wet areas.

3. Use a separate electrical circuit for your tool. This circuit must not be less than a 12-gauge wire and should be protected with a 15A time-delayed fuse. Before connecting the motor to the power line, make sure the switch is in the OFF position and the electric current is rated the same as the current stamped on the motor nameplate. Running at a lower voltage will damage the motor.

BATTERY & CHARGER SAFETY WARNINGS

Despite all of the safety precautions, caution must always be taken when handling batteries. The following points must be obeyed at all times to ensure safe use. Safe use can only be guaranteed if undamaged cells are used. Incorrect handling of the battery pack can cause cell damage.

- **Avoid dangerous environments** – Do not charge the battery pack in rain, snow or in damp or wet locations. Do not use the battery pack or charger in the presence of explosive atmospheres (gaseous fumes, dust or flammable materials) because sparks may be generated when inserting or removing the battery pack, which could lead to a fire.

- **Charge in a well-ventilated area** – Do not block the charger vents. Keep them clear to allow for proper ventilation. Do not allow smoking or open flames near a charging battery pack. Vented gases may explode.

NOTE: The safe temperature range for the battery charging is 41°F to 104°F. Do not charge the battery outside in freezing weather; charge it at room temperature.


- **Maintain charger cord** – When unplugging the charger, pull the plug, not the cord, from the receptacle to reduce the risk of damage to the electrical plug and cord. Never carry the charger by its cord or yank it by the cord to disconnect it from the receptacle. Keep the cord away from heat, oil and sharp edges. Make sure the cord will not be stepped on, tripped over or subjected to damage or stress when the charger is in use. Do not use the charger with a damaged cord or plug. Replace a damaged charger immediately.

- **Do not use an extension cord unless it is absolutely necessary** – Using the wrong, damaged or improperly wired extension cord poses a risk of fire and electric shock. If an extension cord must be used, plug the charger into a properly wired 16 gauge or larger extension cord with the female plug matching the male plug on the charger. Make sure that the extension cord is in good electrical condition.

- **Charger is rated for 120 volt AC only** – The charger must be plugged into an appropriate receptacle.

- **Use only recommended attachments** – Use of an attachment not recommended or sold by WEN Products may result in risk of fire, electric shock or personal injury.

- **Unplug charger when not in use** – Make sure to remove battery packs from unplugged chargers.

 **WARNING!** To reduce the risk of electric shock, always unplug the charger before performing any cleaning or maintenance. Do not allow water to flow into the charger. Use a Ground Fault Circuit Interrupter (GFCI) to reduce shock hazards.

- **Do not burn or incinerate battery packs** – Battery packs may explode, causing personal injury or damage. Toxic fumes and materials are created when battery packs are burned.

- **Do not crush, drop or damage battery packs** – Do not use the battery pack or charger if they have sustained a sharp blow, been dropped, run over or have been damaged in any way (i.e. pierced with a nail, hit with a hammer, stepped on, etc.).

- **Do not disassemble** – Incorrect reassembly may pose a serious risk of electric shock, fire or exposure to toxic battery chemicals. If the battery or charger are damaged, call WEN customer service at **1-847-429-9263** for assistance.

- **Battery chemicals cause serious burns** – Never let a damaged battery pack contact the skin, eyes or mouth. If a damaged battery pack leaks battery chemicals, use rubber or neoprene gloves to safely dispose of it. If skin is exposed to battery fluids, wash the affected area with soap and water and rinse with vinegar. If eyes are exposed to battery chemicals, immediately flush with water for 20 minutes and seek medical attention. Remove and dispose of contaminated clothing.

- **Store your battery pack and charger in a cool, dry place** – Do not store the battery pack or charger where temperatures may exceed 104 °F, such as in direct sunlight or inside a vehicle or metal building during the summer.

- **Do not short circuit** – A battery pack will short circuit if a metal object makes a connection between the positive and negative contacts on the battery pack. Do not place a battery pack near anything that may cause a short circuit, such as paper clips, coins, keys, screws, nails and other metallic objects. A short-circuited battery pack poses a risk of fire and severe personal injury.

BATTERY & CHARGER SAFETY WARNINGS

ABOUT THE BATTERY

1. The battery pack has to be charged completely before you use the tool for the first time.
2. For optimum battery performance, avoid low discharge cycles by charging the battery pack frequently.
3. Lithium-ion batteries are subject to a natural aging process. The battery pack must be replaced at the latest when its capacity falls to just 80% of its capacity when new. Weakened cells in an aged battery pack are no longer capable of meeting the high power requirements needed for the proper operation of your tool, and therefore pose a safety risk.
4. Do not throw battery packs into an open fire as this poses a risk of explosion. Do not ignite the battery pack or expose it to fire.
5. Do not exhaustively discharge batteries. Exhaustive discharge will damage the battery cells. The most common cause of exhaustive discharge is lengthy storage or non-use of partially discharged batteries. Stop working as soon as the performance of the battery falls noticeably or the electronic protection system triggers. Place the battery pack in storage only after it has been fully charged.
6. Protect batteries and the tool from overloads. Overloads will quickly result in overheating and cell damage inside the battery housing even if this overheating is not apparent externally.
7. Avoid damage and shocks. Immediately replace batteries that have been dropped from a height of more than one meter or those that have been exposed to violent shocks, even if the housing of the battery pack appears to be undamaged. The battery cells inside the battery may have suffered serious damage. In such instances, please read the waste disposal information for proper battery disposal.
8. If the battery pack suffers overloading and overheating, the integrated protective cutoff will switch off the equipment for safety reasons.
9. Use only original battery packs. The use of other batteries poses a fire risk and may result in injuries or an explosion.

ABOUT THE CHARGER

Protect battery charger and cord from damage. Keep the charger and its cord away from heat, oil and sharp edges.

Electrical plugs must match the outlet. Never modify the plug in any way. Do not use any adapter plugs with grounded appliances. Unmodified plugs and matching outlets will reduce the risk of electric shock.

Keep the battery charger, battery pack(s), and the cordless tool out of the reach of children.

Do not use the supplied battery charger to charge other cordless tools.

During periods of heavy use, the battery pack will become warm. Allow the battery pack to cool to room temperature before inserting it into the charger to recharge.

Do not overcharge batteries. Do not exceed the maximum charging times. These charging times only apply to discharged batteries. Frequent insertion of a charged or partially charged battery pack will result in overcharging and cell damage. Do not leave battery in the charger for days on end.

Never use or charge a battery if you suspect that it has been more than 12 months since last time they were charged. There is a high probability that the battery pack has already suffered dangerous damage (exhaustive discharge).

Do not use batteries that have been exposed to heat during the charging process, as the battery cells may have suffered dangerous damage.

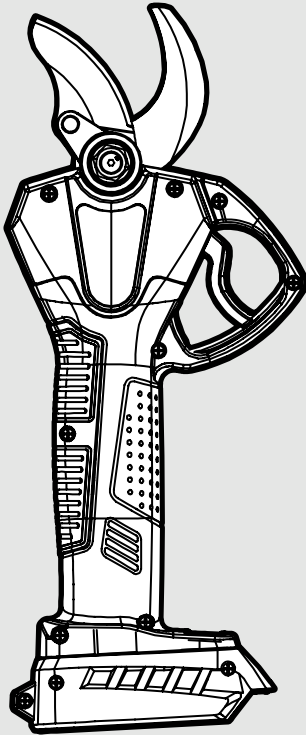
Do not use batteries that have suffered curvature or deformation during the charging process or those that exhibit other atypical symptoms (gassing, hissing, cracking, etc.)

UNPACKING & PACKING LIST

UNPACKING

Carefully remove the pruner shears from the packaging and place it on a sturdy, flat surface. Make sure to take out all contents and accessories. Do not discard the packaging until everything is removed. Check the packing list below to make sure you have all of the parts and accessories. If any part is missing or broken, please contact customer service at **1-847-429-9263** (M-F 8-5 CST), or email techsupport@wenproducts.com.

Components

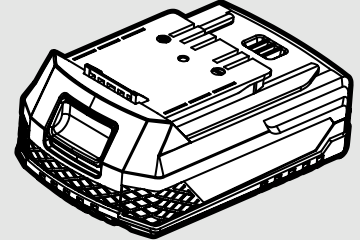


Pruner Shears (1)

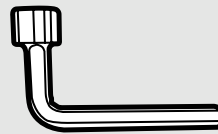
Accessories



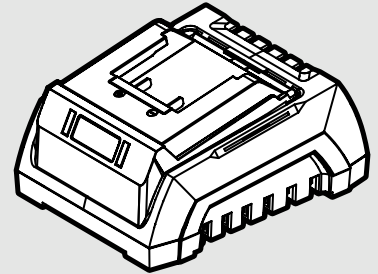
Blade Guard (1)



***20V 2.0Ah Battery (1)**



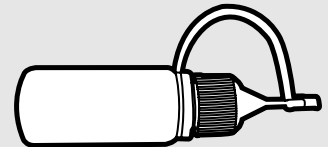
13mm Blade Nut Wrench (1)



***20V Charger (1)**



2.5mm Hex Wrench (1)



****Oil Bottle (1)**

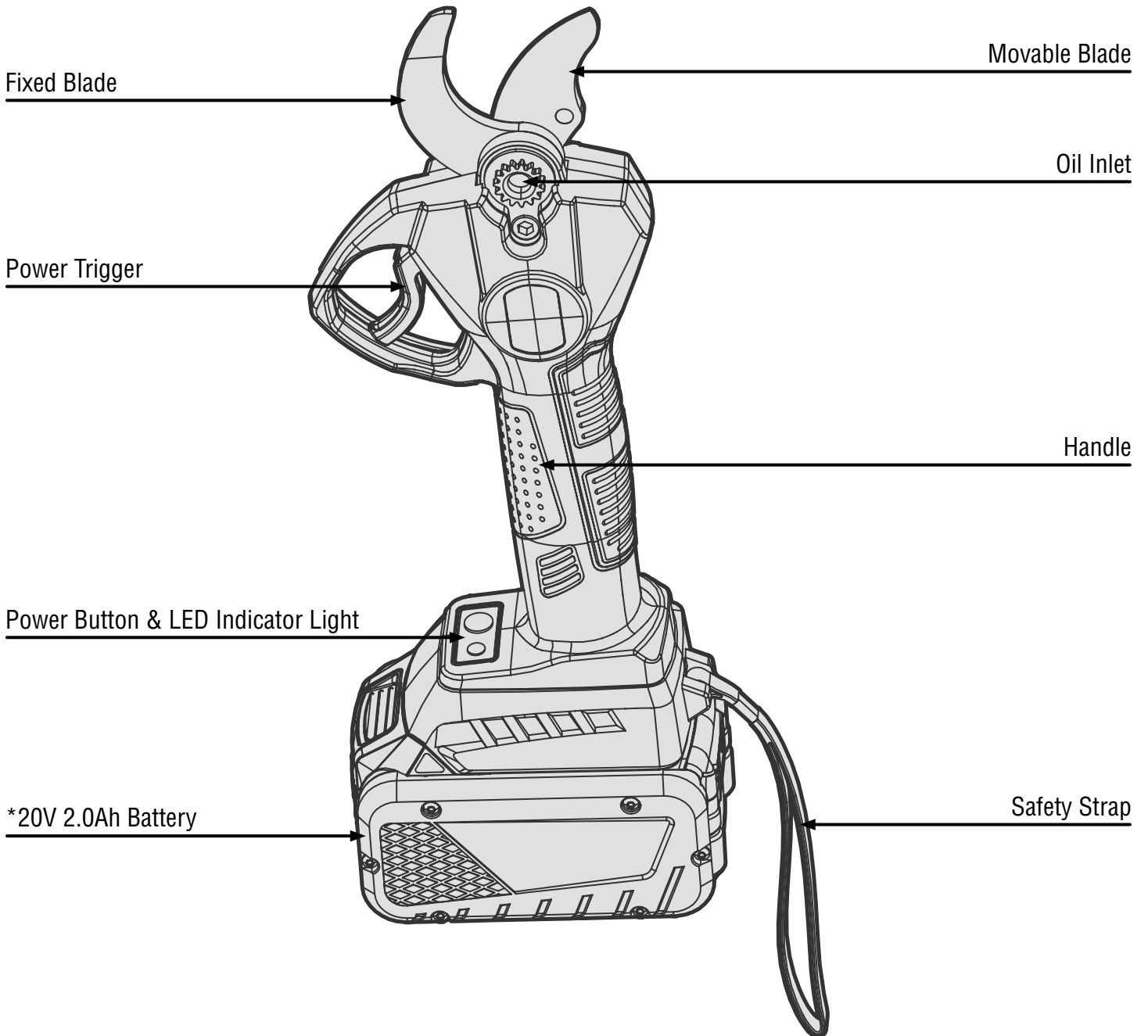
***NOTE:** Battery and charger only included with model 20731. 20731BT does not include a battery or charger.

****NOTE:** Oil is not included with this tool. The blade comes pre-oiled from the factory and only needs to be oiled for general maintenance. See p. 15 for more information.

KNOW YOUR PRUNER SHEARS


TOOL PURPOSE

Easily remove small branches with your WEN 20V Pruner Shears. Refer to the following diagrams to become familiarized with all the parts and controls of your shears. The components will be referred to later in the manual for assembly and operation instructions.



***NOTE:** Battery and charger only included with model 20731. 20731BT does not include a battery or charger.

ASSEMBLY & ADJUSTMENTS

 **WARNING!** To avoid injury from accidental startups, be sure that the tool is switched OFF and the battery is removed from the tool before inspecting the unit, making adjustments, or changing accessories.

CHARGING THE BATTERY PACK

The 20V battery pack for this tool is supplied in a low charge condition to prevent possible problems, and must be charged completely before you use the tool for the first time.

NOTE: The battery pack and charger are not included with model 20731BT.

1. Connect charger to a 120V, 60Hz AC outlet. The green lights on the charger will illuminate, indicating that the charger is powered.
2. Slide the battery all the way into the charger port until it clicks. The red light on the corresponding charger port will illuminate, indicating that the battery is charging.

Charging Indication:

- Solid Green: Ready to Charge
- Solid Red: Charging
- Solid Green: Charged

3. When the battery is charged, the red light will turn off and the green light will turn on. Remove the battery from the charger and unplug the charger from the power supply.

NOTE: Battery will not reach full charge the first time it is charged. Allow several cycles for the battery to fully charge. The battery pack may become warm while charging; this is normal. If the battery is hot after continuous use in the tool, allow it to cool to room temperature before charging. This will prolong the life of your battery.

The battery pack is equipped with three LED battery life indication lights. Press and hold the power button on the front or rear of the battery to check the battery's charge status.

Battery Life Indication:

- Three Lights: The battery is fully charged.
- Two Lights: The battery is about 60% charged.
- One Light: The battery is almost out of power and needs to be charged.

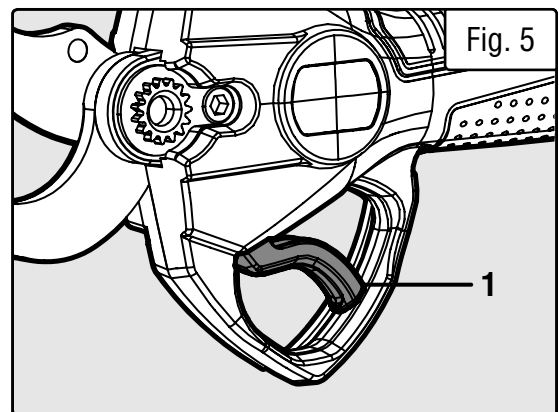
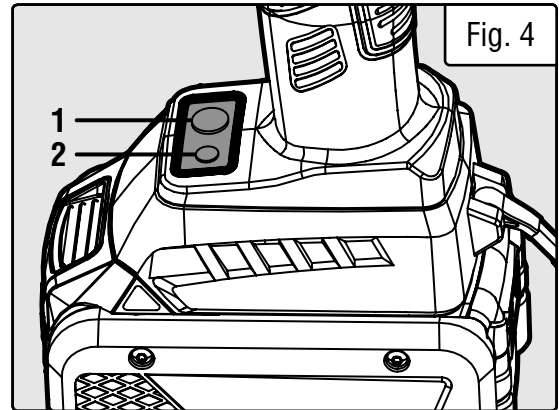
INSERTING AND REMOVING THE BATTERY

1. To install the battery, slide the battery pack into the battery port. Make sure the release latch on the rear side of the battery pack snaps into place and the battery is secure before beginning operation.
2. To remove the battery pack, press the battery release latch on the front of the battery and pull the battery pack out.

OPERATION

OPERATING THE PRUNER SHEARS

1. Install the battery pack. Make sure that the battery has a sufficient charge.
2. Press the power button (Fig. 4 - 1). The LED indicator light (Fig. 4 - 2) will illuminate and the tool will beep twice when it has been powered ON.
3. After the pruner has been powered ON, quickly pull the trigger (Fig. 5 - 1) twice to unlock the blade. If the blades are closed, they will automatically open.
4. The pruner has two cutting diameter presets, 1" and 1-3/16". To switch between the two presets, pull and hold the trigger for more than two seconds until you hear a beep, then release the trigger. When switching from 1-3/16" to 1", you will hear one beep. When switching from 1" to 1-3/16", you will hear two beeps.
- 5. For normal pruning:** Pull the trigger to close the blade and release the trigger to open the blade.
- 6. To lock the blade in the closed position:** Pull and hold the trigger for about five seconds.
- 7. To unlock the blade from the closed position:** Quickly pull the trigger twice to unlock the blade.
- 8. Automatic Standby Mode:** If the trigger has not been pulled for three minutes, two beeps will sound. The pruner shears will still be powered ON but will not operate until the blade is unlocked. Quickly pull the trigger twice to unlock the blade.
9. Once you are done pruning, lock the blade in the closed position. Press and hold the trigger for about five seconds.
10. Power the pruner OFF by pushing the power button. The LED indicator light will turn OFF.
11. Remove the battery from the pruner and place the blade guard over the blade.



MAINTENANCE

⚠ WARNING! To avoid accidents, turn the tool OFF and remove the battery from the battery terminal before cleaning, adjusting, or performing any maintenance or lubrication work.

CHANGING THE BLADE

NOTE: Only use genuine WEN replacement blades (**part no. 20731-010**). Replacement blades are available for purchase at wenproducts.com.

WARNING! Switch the tool OFF and remove the battery before changing the blade.

WARNING! Always wear protective gloves when changing the blade. Handle the blade with caution.

WARNING! NEVER attempt to operate the pruner without the blade and mounting hardware installed properly.

WARNING! If your blade is dull, it can be sharpened; however, if it is severely nicked, warped, or damaged, it should be replaced.

1. Using the included 2.5mm hex wrench, loosen and remove the blade screw (Fig. 1 - 1). Turn the screw clockwise to loosen it (it is left-hand threaded).

2. Using the included blade nut wrench, loosen and remove the blade nut (Fig. 1 - 2). Turn the nut counterclockwise to loosen it.

3. Using a Phillips head screwdriver (not included), loosen and remove the two side cover screws (Fig. 2 - 1).

4. Slide the side cover (Fig. 2 - 2) forward (toward the blades) and carefully remove it from the pruner.

5. Carefully lift the old blade off and replace with the new blade, making sure the gear teeth of the blade mesh with the drive gear on the tool.

6. Replace the side cover, side cover screws, blade nut, and blade screw.

7. Before beginning operation, make sure that the blade and fasteners are securely installed.

TIGHTENING THE BLADE

WARNING! Switch the tool OFF and remove the battery before tightening the blade.

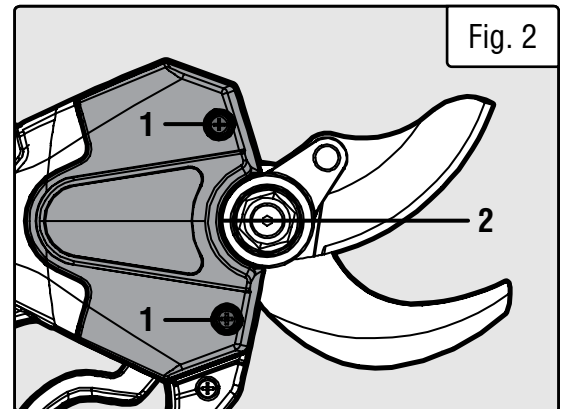
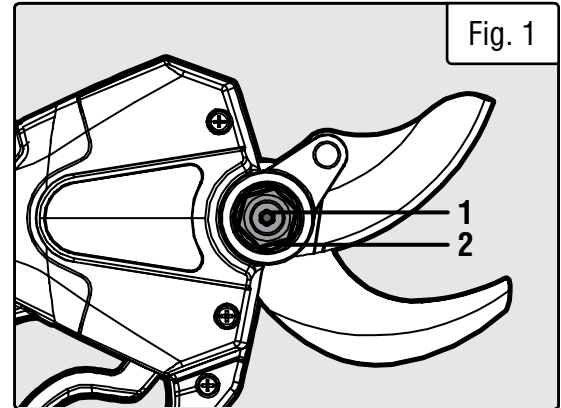
1. Check to ensure the blade is tight before each use. A well tightened blade should not move from left to right.

2. Using the included 2.5mm hex wrench, loosen and remove the blade screw (Fig. 1 - 1). Turn the screw clockwise to loosen it (it is left-hand threaded).

3. Using the included blade nut wrench, adjust the blade nut (Fig. 1 - 2) tension until the tool clicks. Turn the nut clockwise to tighten it.

4. Replace the blade screw and check the tightness of the blade.

It is possible to have slight movement in the direction of blade closure. This movement is normal and may be caused by the gap between the rack and pinion teeth.



MAINTENANCE

⚠ WARNING! To avoid accidents, turn the tool OFF and remove the battery from the battery terminal before cleaning, adjusting, or performing any maintenance or lubrication work.

LUBRICATING THE BLADE

For easier operation and a longer blade life, lubricate the blade before and after each use. If you are planning to use the pruner for an extended period of time, it is advised to lubricate the blade periodically during operation.

NOTE: Oil is not included with this tool. The blade comes pre-oiled from the factory and only needs to be oiled for general maintenance. We recommend using general-purpose machine oil.

1. Locate the oil inlet (Fig. 3 - 1) on the side of the pruner.
2. Place the oil bottle nozzle into the lubricating inlet and lubricate the blades.
3. Open and close the blade of the tool several times to distribute the oil.

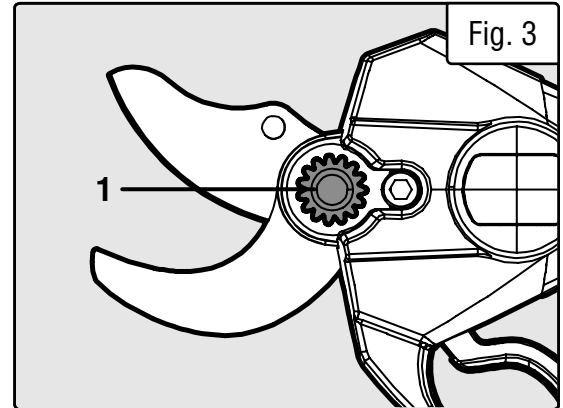
SHARPENING THE BLADE

WARNING! Switch the tool OFF and remove the battery before sharpening the blade.

WARNING! Always wear protective gloves when sharpening the blade. Handle the blade with caution.

If the blade becomes dull, and starts to crush branches instead of cut them, it should be sharpened. If the blade is heavily nicked, damaged, or warped, it should be replaced (see section “REPLACING THE BLADE”).

1. Use a fine-toothed file. Keeping the file flush with the existing blade bevel, use light, firm pressure to push the file from the heel of the blade towards the tip.
2. Lift the file off the blade.
3. Repeat until the blade is sharpened.
4. Remove any burrs from the blade.



MAINTENANCE

⚠ WARNING! To avoid accidents, turn the tool OFF and remove the battery from the battery terminal before cleaning, adjusting, or performing any maintenance or lubrication work.

⚠ WARNING! Any attempt to repair or replace electrical parts on this tool may be hazardous. Servicing of the tool must be performed by a qualified technician. When servicing, use only identical WEN replacement parts. Use of other parts may be hazardous or induce product failure.

ROUTINE INSPECTION

Before each use, inspect the general condition of the tool. If any of these following conditions exist, do not use until parts are replaced or the sharpener is properly repaired.

Check for:

- Loose hardware or improper mounting
- Misalignment or binding of moving parts
- Damaged battery or battery terminal
- Cracked or broken parts
- Any other condition that may affect its safe operation

CLEANING & STORAGE

1. Brush or blow dust and debris out of the air vents using compressed air or a vacuum. Keep the air vents free of obstructions, sawdust, and wood chips. Do not spray, wash, or immerse the air vents in water.

2. Wipe off the housing and the plastic components using a moist, soft cloth. Do not use strong solvents or detergents on the plastic housing or plastic components. Certain household cleaners may cause damage, and may cause a shock hazard.

PRODUCT DISPOSAL

Used power tools should not be disposed of together with household waste. This product contains electronic components that should be recycled. Please take this product to your local recycling facility for responsible disposal and to minimize its environmental impact.

DISINFECTING THE BLADE

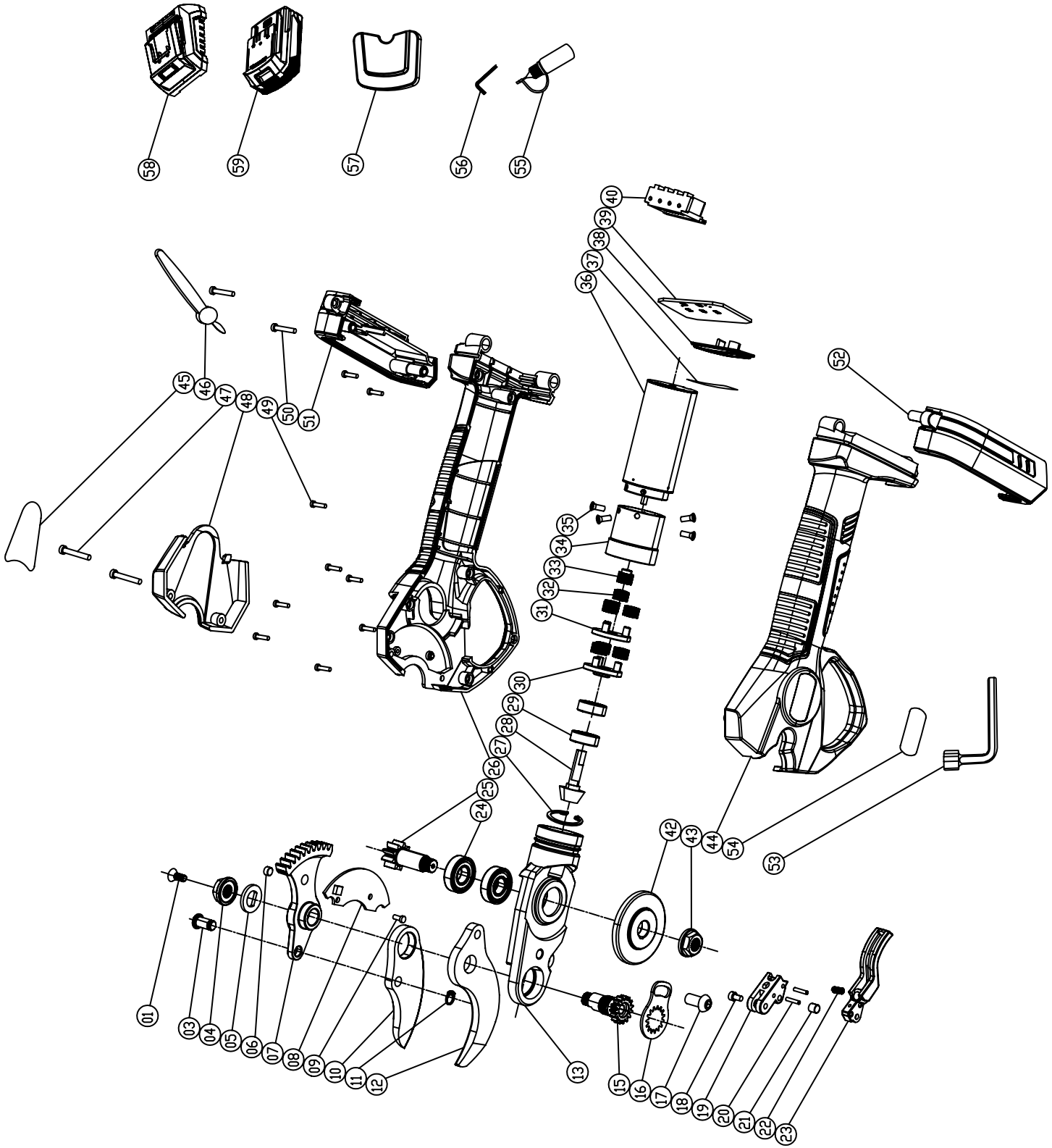
Pruning tools should be disinfected to prevent the spread of pathogens among plants. Although it is not always practical to handle disinfectants when making multiple cuts on the same tree or pruning several trees or shrubs, it will minimize plant loss.

Ethanol or isopropyl alcohol are ideal for sanitizing pruning equipment because blades can simply be wiped or dipped into disinfectant without a prolonged soak. Products sold as rubbing alcohol usually contain 70% isopropyl alcohol and can be used directly from the container. Be sure to follow the label's safety precautions.

STORING THE BATTERY AND CHARGER

- Make sure the battery is fully charged before storage in order to maximize the life of the battery.
- Do not store the battery pack on the tool. Remove the battery from the tool before storage.
- After charging, the battery pack may be stored in the charger, as long as the charger is not plugged in.
- Store the charger at normal room temperature. Do not store it in excessive heat. Do not use the charger in direct sunlight or in damp conditions. Do not charge outside. Recharge at room temperature.
- Keep the charger clean and clear of debris. Do not allow foreign material to get into the recessed cavity or onto the contacts. Wipe the charger clean with a dry cloth. Do not use solvents or water, and do not place the charger in wet conditions.
- Always unplug the charger when charging is complete. Never leave your charger plugged in if it is not charging a battery.

EXPLODED VIEW & PARTS LIST



NOTE: Not all parts may be available for purchase. Parts and accessories that wear down over the course of normal use are not covered under the warranty.

EXPLODED VIEW & PARTS LIST

NO.	PART NO.	DESCRIPTION	QTY.
1	20731-001	Countersunk Socket Flat-head Bolt, M4x10	1
3	20731-003	Pivot Pin	1
4	20731-004	Lock Nut	1
5	20731-005	Washer	1
6	20731-006	Magnet, 5x3mm	1
7	20731-007	Blade Gear	1
8	20731-008	Sensor PCB	1
9	20731-009	Self-tapping Screw, ST2.5x5	1
10	20731-010	Movable Blade	1
11	20731-011	Retaining Ring, 6mm	1
12	20731-012	Fixed Blade	1
13	20731-013	Gearbox Housing	1
15	20731-015	Gearshaft	1
16	20731-016	Locking Plate	1
17	20731-017	Socket Head Bolt, M6x12	1
18	20731-018	Socket Head Bolt, M3x6	1
19	20731-019	Support Plate	1
20	20731-020	Pin, 2x10	2
21	20731-021	Magnet, 5x4mm	1
22	20731-022	Trigger Spring	1
23	20731-023	Trigger Spring	1
24	20731-024	Ball Bearing, 6900	2
25	20731-025	Pinion Shaft	1
26	20731-026	Right Housing Assembly	1
27	20731-027	Retaining Ring, 17mm	1
28	20731-028	Worm Gear Shaft	1
29	20731-029	Ball Bearing, 606	2
30	20731-030	Secondary Planetary Gear Carrier	1

NO.	PART NO.	DESCRIPTION	QTY.
31	20731-031	Primary Planetary Gear Carrier	1
32	20731-032	Planetary Gear	6
33	20731-033	Motor Pinion	1
34	20731-034	Ring Gear	1
35	20731-035	Screw, M3x5	4
36	20731-036	Brushless Motor Assembly	1
37	20731-037	Label	1
38	20731-038	Power Button Board	1
39	20731-039	PCB	1
40	20731-040	Battery Terminal	1
42	20731-042	Large Gear	1
43	20731-043	Nut, M8	1
44	20731-044	Left Housing Assembly	1
45	20731-045	Label 1	1
46	20731-046	Wrist Strap	1
47	20731-047	Bolt, M3x25	2
48	20731-048	Blade Cover	1
49	20731-049	Self-tapping Screw, ST2.8x10	10
50	20731-050	Self-tapping Screw, ST3x25	2
51	20731-051	Left Battery Housing	1
52	20731-052	Right Battery Housing	1
53	20731-053	Wrench	1
54	20731-054	Label 2	1
55	20731-055	Oil Bottle	1
56	20731-056	Hex Wrench, 2.5mm	1
57	20731-057	Blade Sheath	1
58	20200C	20V Max Charger	1
59	20202	20V Max Battery, 2Ah	1

NOTE: Not all parts may be available for purchase. Parts and accessories that wear down over the course of normal use are not covered under the warranty.

WARRANTY STATEMENT

WEN Products is committed to building tools that are dependable for years. Our warranties are consistent with this commitment and our dedication to quality.

LIMITED WARRANTY OF WEN PRODUCTS FOR HOME USE

GREAT LAKES TECHNOLOGIES, LLC (“Seller”) warrants to the original purchaser only, that all WEN consumer power tools will be free from defects in material or workmanship during personal use for a period of two (2) years from date of purchase or 500 hours of use; whichever comes first. Ninety days for all WEN products if the tool is used for professional or commercial use. Purchaser has 30 days from the date of purchase to report missing or damaged parts.

SELLER’S SOLE OBLIGATION AND YOUR EXCLUSIVE REMEDY under this Limited Warranty and, to the extent permitted by law, any warranty or condition implied by law, shall be the replacement of parts, without charge, which are defective in material or workmanship and which have not been subjected to misuse, alteration, careless handling, misrepair, abuse, neglect, normal wear and tear, improper maintenance, or other conditions adversely affecting the Product or the component of the Product, whether by accident or intentionally, by persons other than Seller. To make a claim under this Limited Warranty, you must make sure to keep a copy of your proof of purchase that clearly defines the Date of Purchase (month and year) and the Place of Purchase. Place of Purchase must be a direct vendor of Great Lakes Technologies, LLC. Purchasing through third party vendors, including but not limited to garage sales, pawn shops, resale shops, or any other secondhand merchant, voids the warranty included with this product. Contact tech-support@wenproducts.com or 1-847-429-9263 with the following information to make arrangements: your shipping address, phone number, serial number, required part numbers, and proof of purchase. Damaged or defective parts and products may need to be sent to WEN before the replacements can be shipped out.

Upon the confirmation of a WEN representative, your product may qualify for repairs and service work. When returning a product for warranty service, the shipping charges must be prepaid by the purchaser. The product must be shipped in its original container (or an equivalent), properly packed to withstand the hazards of shipment. The product must be fully insured with a copy of the proof of purchase enclosed. There must also be a description of the problem in order to help our repairs department diagnose and fix the issue. Repairs will be made and the product will be returned and shipped back to the purchaser at no charge for addresses within the contiguous United States.

THIS LIMITED WARRANTY DOES NOT APPLY TO ITEMS THAT WEAR OUT FROM REGULAR USAGE OVER TIME, INCLUDING BELTS, BRUSHES, BLADES, BATTERIES, ETC. ANY IMPLIED WARRANTIES SHALL BE LIMITED IN DURATION TO TWO (2) YEARS FROM DATE OF PURCHASE. SOME STATES IN THE U.S. AND SOME CANADIAN PROVINCES DO NOT ALLOW LIMITATIONS ON HOW LONG AN IMPLIED WARRANTY LASTS, SO THE ABOVE LIMITATION MAY NOT APPLY TO YOU.

IN NO EVENT SHALL SELLER BE LIABLE FOR ANY INCIDENTAL OR CONSEQUENTIAL DAMAGES (INCLUDING BUT NOT LIMITED TO LIABILITY FOR LOSS OF PROFITS) ARISING FROM THE SALE OR USE OF THIS PRODUCT. SOME STATES IN THE U.S. AND SOME CANADIAN PROVINCES DO NOT ALLOW THE EXCLUSION OR LIMITATION OF INCIDENTAL OR CONSEQUENTIAL DAMAGES, SO THE ABOVE LIMITATION OR EXCLUSION MAY NOT APPLY TO YOU.

THIS LIMITED WARRANTY GIVES YOU SPECIFIC LEGAL RIGHTS, AND YOU MAY ALSO HAVE OTHER RIGHTS WHICH VARY FROM STATE TO STATE IN THE U.S., PROVINCE TO PROVINCE IN CANADA AND FROM COUNTRY TO COUNTRY.

THIS LIMITED WARRANTY APPLIES ONLY TO ITEMS SOLD WITHIN THE UNITED STATES OF AMERICA, CANADA AND THE COMMONWEALTH OF PUERTO RICO. FOR WARRANTY COVERAGE WITHIN OTHER COUNTRIES, CONTACT THE WEN CUSTOMER SUPPORT LINE. FOR WARRANTY PARTS OR PRODUCTS REPAIRED UNDER WARRANTY SHIPPING TO ADDRESSES OUTSIDE OF THE CONTIGUOUS UNITED STATES, ADDITIONAL SHIPPING CHARGES MAY APPLY.

**THANKS FOR
REMEMBERING**

