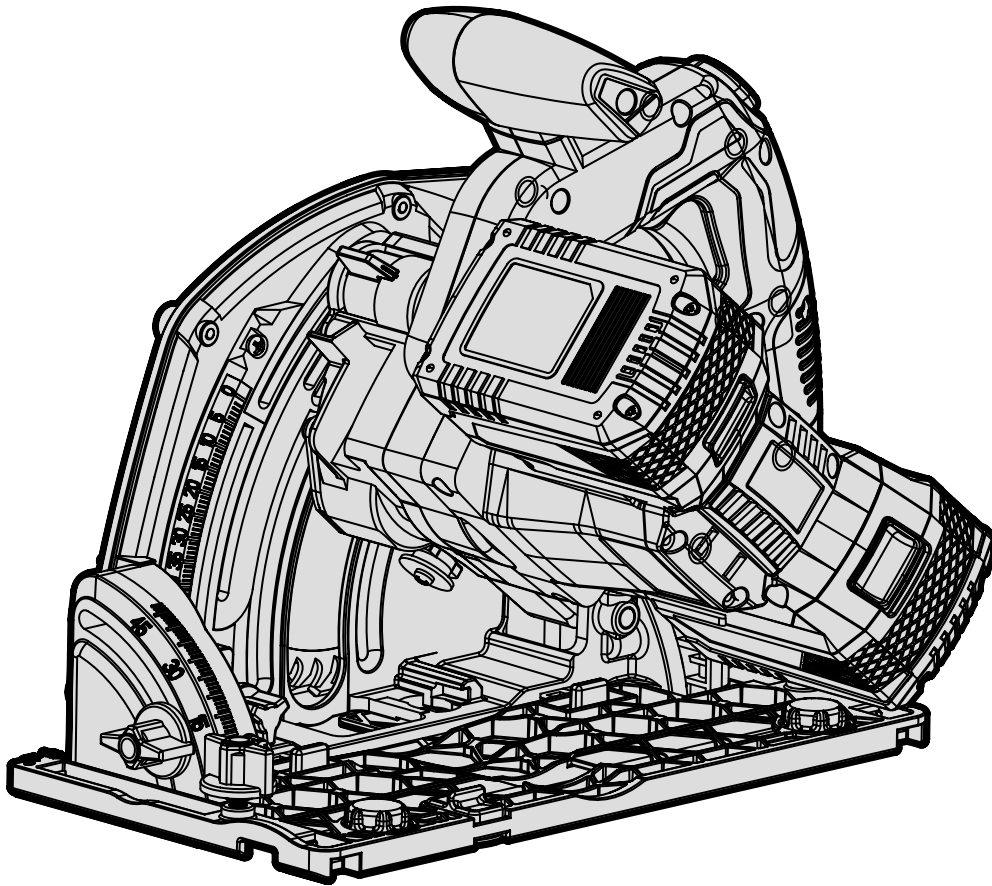




MODEL 20691, 20691BT

20V 6.5-INCH TRACK SAW

Instruction Manual



NEED HELP? CONTACT US!

Have product questions? Need technical support? Please feel free to contact us:



1-847-429-9263 (M-F 8AM-5PM CST)



TECHSUPPORT@WENPRODUCTS.COM

IMPORTANT: Your new tool has been engineered and manufactured to WEN's highest standards for dependability, ease of operation, and operator safety. When properly cared for, this product will supply you years of rugged, trouble-free performance. Pay close attention to the rules for safe operation, warnings, and cautions. If you use your tool properly and for its intended purpose, you will enjoy years of safe, reliable service.

For replacement parts and the most up-to-date instruction manuals, visit ***WENPRODUCTS.COM***

CONTENTS

WELCOME	3
Introduction	3
Specifications.....	3
SAFETY	4
General Safety Rules.....	4
Track Saw Safety Warnings.....	6
Electrical Information (Charger).....	9
Battery & Charger Safety Warnings	10
BEFORE OPERATING	12
Unpacking & Packing List.....	12
Know Your Track Saw	13
Assembly & Adjustments.....	14
OPERATION & MAINTENANCE	18
Operation	18
Troubleshooting Guide.....	22
Maintenance.....	23
Exploded View & Parts List.....	24
Warranty Statement	27


To purchase accessories and replacement parts for your tool, visit **WENPRODUCTS.COM**

20V 2.0Ah Max Battery (Model 20202, 20202B)
20V 4.0Ah Max Battery (Model 20204, 20204B, 20204D)
20V 5.0Ah Max Battery (Model 20205)
20V 2A Charger (Model 20200C)
Dual Port Lithium-Ion Battery Charger (Model 20200D)
20V 5A Quick Charger (Model 20201Q)

WEN plans to continue to add more items to our 20V line. For an up-to-date list of the 20V cordless tools compatible with the included battery and charger, visit **wenproducts.com** and search model number 20202(B) (2Ah), 20204(B/D) (4Ah), or 20205 (5Ah). In the battery's description, there will be a list of current products that this battery can be used with.

INTRODUCTION

Thanks for purchasing the WEN Track Saw. We know you are excited to put your tool to work, but first, please take a moment to read through the manual. Safe operation of this tool requires that you read and understand this operator's manual and all the labels affixed to the tool. This manual provides information regarding potential safety concerns, as well as helpful assembly and operating instructions for your tool.

 Indicates danger, warning, or caution. The safety symbols and the explanations with them deserve your careful attention and understanding. Always follow the safety precautions to reduce the risk of fire, electric shock or personal injury. However, please note that these instructions and warnings are not substitutes for proper accident prevention measures.

NOTE: The following safety information is not meant to cover all possible conditions and situations that may occur. WEN reserves the right to change this product and specifications at any time without prior notice.

At WEN, we are continuously improving our products. If you find that your tool does not exactly match this manual, please visit wenproducts.com for the most up-to-date manual or contact our customer service at **1-847-429-9263**.

Keep this manual available to all users during the entire life of the tool and review it frequently to maximize safety for both yourself and others.

SPECIFICATIONS

Model Number	20691, 20619BT
Included Batteries*	4.0Ah Battery (Model 20204D)*
Included Charger*	20V, 2.3A DC Dual Charger (Model 20200D)*
Included Blade	6.5 in. (165.1mm), Arbor: 20mm, Kerf: 1.6mm, 48T (Model 20691B)
No-Load Speed	2000 - 5500 RPM
Cutting Bevel	-1° - 47°
Cutting Depth (90°)	With Track: 2.09 in. (53mm), Without Track: 2.28 in. (58mm)
Cutting Depth (45°)	With Track: 1.5 in. (38mm), Without Track: 1.65 in. (42mm)
Dust Port Adapter	Inner Diameter: 1.38 in. (35mm), Outer Diameter: 1.56 in. (39.5mm)
Product Weight	9.42 Pounds
Product Dimensions	13.25 in. x 9.25 in. x 11.25 in.

Battery Models	All WEN 20V MAX Batteries**
Charger Models	All WEN 20V MAX Chargers

***NOTE:** Battery and charger only included with model 20691. Model 20691BT does not include a battery or charger.

****NOTE:** Some tools may not be compatible with WEN 20V MAX 1.5Ah Batteries, model 49120B. Contact WEN customer service at **1-847-429-9263**, M-F with questions.

GENERAL SAFETY RULES

 **WARNING!** Read all safety warnings and all instructions. Failure to follow the warnings and instructions may result in electric shock, fire and/or serious injury.

Safety is a combination of common sense, staying alert and knowing how your item works. The term “power tool” in the warnings refers to your mains-operated (corded) power tool or battery-operated (cordless) power tool.

SAVE THESE SAFETY INSTRUCTIONS.

WORK AREA SAFETY

- 1. Keep work area clean and well lit.** Cluttered or dark areas invite accidents.
- 2. Do not operate power tools in explosive atmospheres, such as in the presence of flammable liquids, gases or dust.** Power tools create sparks which may ignite the dust or fumes.
- 3. Keep children and bystanders away while operating a power tool.** Distractions can cause you to lose control.

ELECTRICAL SAFETY

- 1. Power tool plugs must match the outlet. Never modify the plug in any way. Do not use any adapter plugs with earthed (grounded) power tools.** Unmodified plugs and matching outlets will reduce risk of electric shock.
- 2. Avoid body contact with earthed or grounded surfaces such as pipes, radiators, ranges and refrigerators.** There is an increased risk of electric shock if your body is earthed or grounded.
- 3. Do not expose power tools to rain or wet conditions.** Water entering a power tool will increase the risk of electric shock.
- 4. Do not abuse the cord. Never use the cord for carrying, pulling or unplugging the power tool. Keep cord away from heat, oil, sharp edges or moving parts.** Damaged or entangled cords increase the risk of electric shock.
- 5. When operating a power tool outdoors, use an extension cord suitable for outdoor use.** Use of a cord suitable for outdoor use reduces the risk of electric shock.

- 6. If operating a power tool in a damp location is unavoidable, use a ground fault circuit interrupter (GFCI) protected supply.** Use of a GFCI reduces the risk of electric shock.

PERSONAL SAFETY

- 1. Stay alert, watch what you are doing and use common sense when operating a power tool. Do not use a power tool while you are tired or under the influence of drugs, alcohol or medication.** A moment of inattention while operating power tools may result in serious personal injury.
- 2. Use personal protective equipment. Always wear eye protection.** Protective equipment such as a respiratory mask, non-skid safety shoes and hearing protection used for appropriate conditions will reduce the risk of personal injury.
- 3. Prevent unintentional starting. Ensure the switch is in the off-position before connecting to power source and/or battery pack, picking up or carrying the tool.** Carrying power tools with your finger on the switch or energizing power tools that have the switch on invites accidents.
- 4. Remove any adjusting key or wrench before turning the power tool on.** A wrench or a key left attached to a rotating part of the power tool may result in personal injury.
- 5. Do not overreach. Keep proper footing and balance at all times.** This enables better control of the power tool in unexpected situations.
- 6. Dress properly. Do not wear loose clothing or jewelry. Keep your hair and clothing away from moving parts.** Loose clothes, jewelry or long hair can be caught in moving parts.

GENERAL SAFETY RULES

 **WARNING!** Read all safety warnings and all instructions. Failure to follow the warnings and instructions may result in electric shock, fire and/or serious injury.

Safety is a combination of common sense, staying alert and knowing how your item works. The term “power tool” in the warnings refers to your mains-operated (corded) power tool or battery-operated (cordless) power tool.

SAVE THESE SAFETY INSTRUCTIONS.

7. If devices are provided for the connection of dust extraction and collection facilities, ensure these are connected and properly used. Use of dust collection can reduce dust-related hazards.

POWER TOOL USE AND CARE

1. Do not force the power tool. Use the correct power tool for your application. The correct power tool will do the job better and safer at the rate for which it was designed.

2. Do not use the power tool if the switch does not turn it on and off. Any power tool that cannot be controlled with the switch is dangerous and must be repaired.

3. Disconnect the plug from the power source and/or the battery pack from the power tool before making any adjustments, changing accessories, or storing power tools. Such preventive safety measures reduce the risk of starting the power tool accidentally.

4. Store idle power tools out of the reach of children and do not allow persons unfamiliar with the power tool or these instructions to operate the power tool. Power tools are dangerous in the hands of untrained users.

5. Maintain power tools. Check for misalignment or binding of moving parts, breakage of parts and any other condition that may affect the power tool's operation. If damaged, have the power tool repaired before use. Many accidents are caused by poorly maintained power tools.

6. Keep cutting tools sharp and clean. Properly maintained cutting tools with sharp cutting edges are less likely to bind and are easier to control.

7. Use the power tool, accessories and tool bits, etc. in accordance with these instructions, taking into account the working conditions and the work to be performed. Use of the power tool for operations different from those intended could result in a hazardous situation.

8. Use clamps to secure your workpiece to a stable surface. Holding a workpiece by hand or using your body to support it may lead to loss of control.

9. KEEP GUARDS IN PLACE and in working order.

SERVICE

1. Have your power tool serviced by a qualified repair person using only identical replacement parts. This will ensure that the safety of the power tool is maintained.


CALIFORNIA PROPOSITION 65 WARNING

Some dust created by power sanding, sawing, grinding, drilling, and other construction activities may contain chemicals, including lead, known to the State of California to cause cancer, birth defects, or other reproductive harm. Wash hands after handling. Some examples of these chemicals are:

- Lead from lead-based paints.
- Crystalline silica from bricks, cement, and other masonry products.
- Arsenic and chromium from chemically treated lumber.

Your risk from these exposures varies depending on how often you do this type of work. To reduce your exposure to these chemicals, work in a well-ventilated area with approved safety equipment such as dust masks specially designed to filter out microscopic particles.

TRACK SAW SAFETY WARNINGS

 **WARNING!** Do not let comfort or familiarity with the product replace strict adherence to product safety rules. Failure to follow the safety instructions may result in serious personal injury.


TRACK SAW SAFETY

1. Always wear protective gloves when handling the saw blades.
2. Only use blades with the correct size and type for both your track saw and your workpiece.
 - The rated diameter of the saw blade is 6.5 in. with a 20mm arbor.
 - The no-load speed of this saw can be adjusted between 2000 and 5500 RPM. The maximum speed rating of your saw blade is 8000 RPM.
3. Never use damaged or deformed saw blades. Only use sharp blades.
4. Install the saw blade in the correct orientation indicated in the instructions.
5. Keep hands out of the path of the saw blade. Never use your hands to remove sawdust, chips, or workpiece near the saw blade or the cutting path of the saw.
6. Never reach around the saw blade or reach in back of the saw blade.
7. Do not use blades made from high-speed steel, abrasive blades, metal-cutting blades, or masonry-cutting blades. The guards of this saw are not designed to protect against the failure of such blades.
8. The use of accessories or attachments is not recommended by the manufacturer. Doing so may result in a risk of personal injury.
4. Wear work gloves when handling saw blades. **DO NOT** wear gloves while operating the saw.
5. Sawdust is harmful to your health. Use NIOSH-approved dust masks or other respiratory protection during operation and cleaning.
6. Always turn off and remove the battery from the track saw before making any adjustments or repair tasks. Never adjust the track saw or the workpiece while the saw is running.
7. Never use damaged or incorrect blade flanges or bolt. The blade flanges and bolt were specially designed for your saw, for optimum performance and safety of operation.
8. Do not use to cut metal, logs, tree limbs, or uneven lumber. Inspect the workpiece and remove all nails and other embedded objects prior to starting work.
9. Wet lumber, green (unseasoned) lumber, and pressure treated lumber all have an increased potential for kickback and should only be cut with a blade specifically designed for that lumber type. Wear a NIOSH-approved respirator and have appropriate ventilation whenever cutting pressure treated lumber.

PERSONAL SAFETY

1. Operate in a well ventilated area. Keep the floor area around the track saw level and free of slippery substances or other tripping hazards.
2. Wear ANSI-approved safety goggles to protect your eyes from sparks and saw dust. Use hearing protection to protect yourself from hearing loss.
3. People with pacemakers should consult their physician(s) before use. Electromagnetic fields in close proximity to pacemakers could cause pacemaker interference or pacemaker failure.
1. When transporting the track saw, carry it by either the handle or the base. Never carry the device by its guards or its accessories. Make sure that the blade is fully covered by the blade cover and not exposed.
2. Securely slide the track saw onto the track before operating.
3. Examine the track saw for any damaged or missing parts. Replace or repair damaged parts before operation. Periodically check that all nuts, bolts, and other fasteners are properly tightened.

TRACK SAW SAFETY WARNINGS

 **WARNING!** Do not let comfort or familiarity with the product replace strict adherence to product safety rules. Failure to follow the safety instructions may result in serious personal injury.

SECURE YOUR WORKPIECE


1. To avoid blade binding or loss of control, always secure the workpiece to a stable platform, ensuring that body exposure is minimized. Use clamps to secure the workpiece. Never perform any operation freehand.
2. Ensure that work is correctly supported. Large panels may sag under their own weight and bind the saw blade. Supports must be placed under the panel on both sides, close to the line of cut and near the edge of the panel.
3. For accuracy of cut, and to avoid blade binding, always use a track, rip fence, or straight edge guide.
4. Never hand-hold a workpiece that is too small to be clamped, as it can be launched away and cause injury. Use proper support and guides to secure the small workpiece.

DURING CUTTING OPERATIONS

1. Always stand to one side when operating the saw. Never have any part of the body in line with the path of the saw. Never hold a workpiece in your hand or across your legs while cutting.
2. Ensure hands are away from the cutting area and blade. Keep one hand on the rear handle, and the other on the front grip. If both hands are holding the tool they cannot be cut by the blade.
3. Feed the workpiece into the blade against the direction of rotation of the blade only.
4. If you are interrupted when operating the saw, complete the process and switch the saw off before looking up.
5. Power tools must always be held by the insulated gripping surfaces when performing an operation, ensuring protection if the cutting tool makes contact with a cord or hidden wiring. Contact with a 'live' wire will make exposed metal parts of the power tool 'live' and shock the operator if the insulated gripping surfaces are not used.

6. Do not use the track saw unless all guards are in place. Do not operate with any guard disabled, damaged, or removed. Moving guards must move freely and close instantly.
7. Turn on the track saw and let it reach full speed, then slowly slide the saw into the workpiece. This will help produce safer and cleaner cuts.
8. Always push the saw blade forwards and away from you. Do not pull the saw towards you, or move the saw backwards while cutting. Do not apply any sideways or twisting force to the blade while cutting.
9. Never cut more than one piece at a time. Do not stack workpieces together. Do not attempt to cut material thicker than specified on page 3 of this manual. Adjust the cutting depth to the thickness of the workpiece (less than a full tooth of the blade should be visible below the workpiece).
10. If a cut does not extend to the edge of the workpiece, or if the blade binds in the cut, allow the blade to come to a complete stop and lift the saw out of the workpiece.
11. Turn off the tool and wait for the saw blade to stop before moving the workpiece or changing settings. Do not slow or stop a blade with a piece of wood. Let the blade come to rest naturally. Do not attempt to free a jammed blade while the machine is still running and connected to power.
12. Always raise the blade to be covered by the blade guard after use.

TRACK SAW SAFETY WARNINGS

 **WARNING!** Do not let comfort or familiarity with the product replace strict adherence to product safety rules. Failure to follow the safety instructions may result in serious personal injury.

REDUCING KICKBACK

Kickback is a sudden reaction to a pinched, bound or misaligned saw blade, causing an uncontrolled saw to lift up and out of the workpiece toward the operator, increasing the chances of serious personal injury. Do not rely on the safety devices built into the saw. Track saw users should take as many precautions as possible to minimize on-site accidents. Kickback is the result of tool misuse and/or incorrect operating procedures. These conditions can be minimized with the following steps:

1. Maintain a firm grip with both hands on the saw and position your arms to resist kickback forces. Position your body to either side of the blade but not in line with the blade. Kickback could cause the saw to jump backwards, however, if proper precautions are taken, kickback forces can be controlled by the operator. Do not let go of the track saw.
2. If the blade is binding, or interrupting a cut for any reason, release the trigger and hold the saw motionless in the workpiece until the blade comes to a complete stop. Never attempt to remove the saw from the work or pull the saw backward while the blade is in motion. Investigate and take corrective action to eliminate the cause of blade binding.
3. When restarting a saw within an incomplete cut, center the saw blade in the kerf and check that the saw teeth are not engaged into the material (a binding saw blade may 'propel upwards' or kickback from the workpiece as the tool is restarted).
4. A large workpiece should be supported close to the line of the cut, and at the edge of the panel, to prevent sagging. This will minimize the risk of blade pinching and kickback.
5. Do not use dull or damaged blades. Unsharpened or improperly set blades produce narrow kerf causing excessive friction, blade binding, and kickback.
6. Blade depth and bevel adjusting locking levers must be tight and secure before making a cut. If blade adjustment shifts while cutting, it may cause binding and kickback.
7. Use extra caution when making a 'plunge cut' into existing walls or other blind areas. The protruding blade may cut objects causing kickback.
8. Do not use abrasive wheels, doing so will void the warranty.

ELECTRICAL INFORMATION (CHARGER)

DOUBLE-INSULATED CHARGER

The charger's electrical system is double-insulated where two systems of insulation are provided. This eliminates the need for the usual three-wire grounded power cord. Double-insulated tools do not need to be grounded, nor should a means for grounding be added to the product. All exposed metal parts are isolated from the internal metal components with protecting insulation.



IMPORTANT: Servicing a double-insulated product requires extreme care and knowledge of the system, and should be done only by qualified service personnel using identical replacement parts. Always use original factory replacement parts when servicing.

1. Polarized Plugs. To reduce the risk of electric shock, this equipment has a polarized plug (one blade is wider than the other). This plug will fit in a polarized outlet only one way. If the plug does not fit fully in the outlet, reverse the plug. If it still does not fit, contact a qualified electrician to install a proper outlet. Do not modify the machine plug or the extension cord in any way.

2. Ground fault circuit interrupter protection (GFCI) should be provided on the circuit or outlet used for this power tool to reduce the risk of electric shock.

3. Service and repair. To avoid danger, electrical appliances must only be repaired by a qualified service technician using original replacement parts.

GUIDELINES AND RECOMMENDATIONS FOR EXTENSION CORDS

When using an extension cord, be sure to use one heavy enough to carry the current your product will draw. An undersized cord will cause a drop in line voltage, resulting in loss of power and overheating. The table below shows the correct size to be used according to cord length and ampere rating. When in doubt, use a heavier cord. The smaller the gauge number, the heavier the cord.

AMPERAGE	REQUIRED GAUGE FOR EXTENSION CORDS			
	25 ft.	50 ft.	100 ft.	150 ft.
0.5A	18 gauge	16 gauge	16 gauge	14 gauge

1. Examine extension cord before use. Make sure your extension cord is properly wired and in good condition. Always replace a damaged extension cord or have it repaired by a qualified person before using it.

2. Do not abuse extension cord. Do not pull on cord to disconnect from receptacle; always disconnect by pulling on plug. Disconnect the extension cord from the receptacle before disconnecting the product from the extension cord. Protect your extension cords from sharp objects, excessive heat and damp/wet areas.

BATTERY & CHARGER SAFETY WARNINGS

Despite all of the safety precautions, caution must always be taken when handling batteries. The following points must be obeyed at all times to ensure safe use. Safe use can only be guaranteed if undamaged cells are used. Incorrect handling of the battery pack can cause cell damage.

- **Avoid dangerous environments** – Do not charge the battery pack in rain, snow or in damp or wet locations. Do not use the battery pack or charger in the presence of explosive atmospheres (gaseous fumes, dust or flammable materials) because sparks may be generated when inserting or removing the battery pack, which could lead to a fire.

- **Charge in a well-ventilated area** – Do not block the charger vents. Keep them clear to allow for proper ventilation. Do not allow smoking or open flames near a charging battery pack. Vented gases may explode.

NOTE: The safe temperature range for the battery charging is 41°F to 104°F. Do not charge the battery outside in freezing weather; charge it at room temperature.


- **Maintain charger cord** – When unplugging the charger, pull the plug, not the cord, from the receptacle to reduce the risk of damage to the electrical plug and cord. Never carry the charger by its cord or yank it by the cord to disconnect it from the receptacle. Keep the cord away from heat, oil and sharp edges. Make sure the cord will not be stepped on, tripped over or subjected to damage or stress when the charger is in use. Do not use the charger with a damaged cord or plug. Replace a damaged charger immediately.

- **Do not use an extension cord unless it is absolutely necessary** – Using the wrong, damaged or improperly wired extension cord poses a risk of fire and electric shock. If an extension cord must be used, plug the charger into a properly wired 16 gauge or larger extension cord with the female plug matching the male plug on the charger. Make sure that the extension cord is in good electrical condition.

- **Charger is rated for 120 volt AC only** – The charger must be plugged into an appropriate receptacle.

- **Use only recommended attachments** – Use of an attachment not recommended or sold by WEN Products may result in risk of fire, electric shock or personal injury.

- **Unplug charger when not in use** – Make sure to remove battery packs from unplugged chargers.

 **WARNING!** To reduce the risk of electric shock, always unplug the charger before performing any cleaning or maintenance. Do not allow water to flow into the charger. Use a Ground Fault Circuit Interrupter (GFCI) to reduce shock hazards.

- **Do not burn or incinerate battery packs** – Battery packs may explode, causing personal injury or damage. Toxic fumes and materials are created when battery packs are burned.

- **Do not crush, drop or damage battery packs** – Do not use the battery pack or charger if they have sustained a sharp blow, been dropped, run over or have been damaged in any way (i.e. pierced with a nail, hit with a hammer, stepped on, etc.).

- **Do not disassemble** – Incorrect reassembly may pose a serious risk of electric shock, fire or exposure to toxic battery chemicals. If the battery or charger are damaged, call WEN customer service at **1-847-429-9263** for assistance.

- **Battery chemicals cause serious burns** – Never let a damaged battery pack contact the skin, eyes or mouth. If a damaged battery pack leaks battery chemicals, use rubber or neoprene gloves to safely dispose of it. If skin is exposed to battery fluids, wash the affected area with soap and water and rinse with vinegar. If eyes are exposed to battery chemicals, immediately flush with water for 20 minutes and seek medical attention. Remove and dispose of contaminated clothing.

- **Store your battery pack and charger in a cool, dry place** – Do not store the battery pack or charger where temperatures may exceed 104 °F, such as in direct sunlight or inside a vehicle or metal building during the summer.

- **Do not short circuit** – A battery pack will short circuit if a metal object makes a connection between the positive and negative contacts on the battery pack. Do not place a battery pack near anything that may cause a short circuit, such as paper clips, coins, keys, screws, nails and other metallic objects. A short-circuited battery pack poses a risk of fire and severe personal injury.

BATTERY & CHARGER SAFETY WARNINGS

ABOUT THE BATTERY

1. The battery pack has to be charged completely before you use the tool for the first time.
2. For optimum battery performance, avoid low discharge cycles by charging the battery pack frequently.
3. Lithium-ion batteries are subject to a natural aging process. The battery pack must be replaced at the latest when its capacity falls to just 80% of its capacity when new. Weakened cells in an aged battery pack are no longer capable of meeting the high power requirements needed for the proper operation of your tool, and therefore pose a safety risk.
4. Do not throw battery packs into an open fire as this poses a risk of explosion. Do not ignite the battery pack or expose it to fire.
5. Do not exhaustively discharge batteries. Exhaustive discharge will damage the battery cells. The most common cause of exhaustive discharge is lengthy storage or non-use of partially discharged batteries. Stop working as soon as the performance of the battery falls noticeably or the electronic protection system triggers. Place the battery pack in storage only after it has been fully charged.
6. Protect batteries and the tool from overloads. Overloads will quickly result in overheating and cell damage inside the battery housing even if this overheating is not apparent externally.
7. Avoid damage and shocks. Immediately replace batteries that have been dropped from a height of more than one meter or those that have been exposed to violent shocks, even if the housing of the battery pack appears to be undamaged. The battery cells inside the battery may have suffered serious damage. In such instances, please read the waste disposal information for proper battery disposal.
8. If the battery pack suffers overloading and overheating, the integrated protective cutoff will switch off the equipment for safety reasons.
9. Use only original battery packs. The use of other batteries poses a fire risk and may result in injuries or an explosion.

ABOUT THE CHARGER

Protect battery charger and cord from damage. Keep the charger and its cord away from heat, oil and sharp edges.

Electrical plugs must match the outlet. Never modify the plug in any way. Do not use any adapter plugs with grounded appliances. Unmodified plugs and matching outlets will reduce the risk of electric shock.

Keep the battery charger, battery pack(s), and the cordless tool out of the reach of children.

Do not use the supplied battery charger to charge other cordless tools.

During periods of heavy use, the battery pack will become warm. Allow the battery pack to cool to room temperature before inserting it into the charger to recharge.

Do not overcharge batteries. Do not exceed the maximum charging times. These charging times only apply to discharged batteries. Frequent insertion of a charged or partially charged battery pack will result in overcharging and cell damage. Do not leave battery in the charger for days on end.

Never use or charge a battery if you suspect that it has been more than 12 months since last time they were charged. There is a high probability that battery pack has already suffered dangerous damage (exhaustive discharge).

Do not use battery that have been exposed to heat during the charging process, as the battery cells may have suffered dangerous damage.

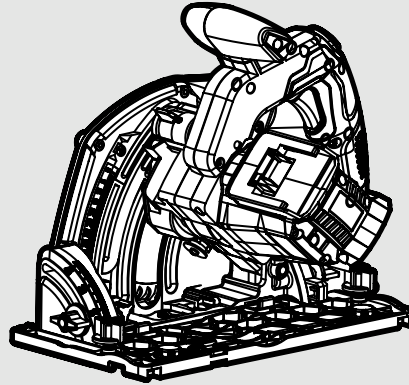
Do not use battery that have suffered curvature or deformation during the charging process or those that exhibit other atypical symptoms (gassing, hissing, cracking, etc.)

UNPACKING & PACKING LIST

UNPACKING

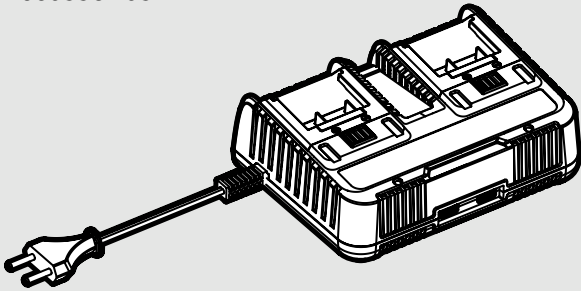
Carefully remove the track saw from the packaging and place it on a sturdy, flat surface. Make sure to take out all contents and accessories. Do not discard the packaging until everything is removed. Check the packing list below to make sure you have all of the parts and accessories. If any part is missing or broken, please contact customer service at **1-847-429-9263** (M-F 8-5 CST), or email techsupport@wenproducts.com.

Components

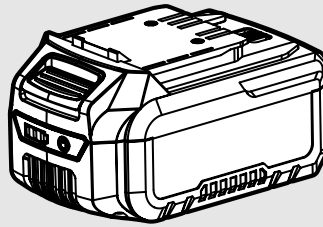


Track Saw

Accessories



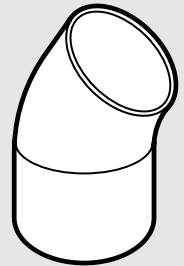
20V Dual Charger (1)*



20V Battery (2)*



Hex Wrench (1)



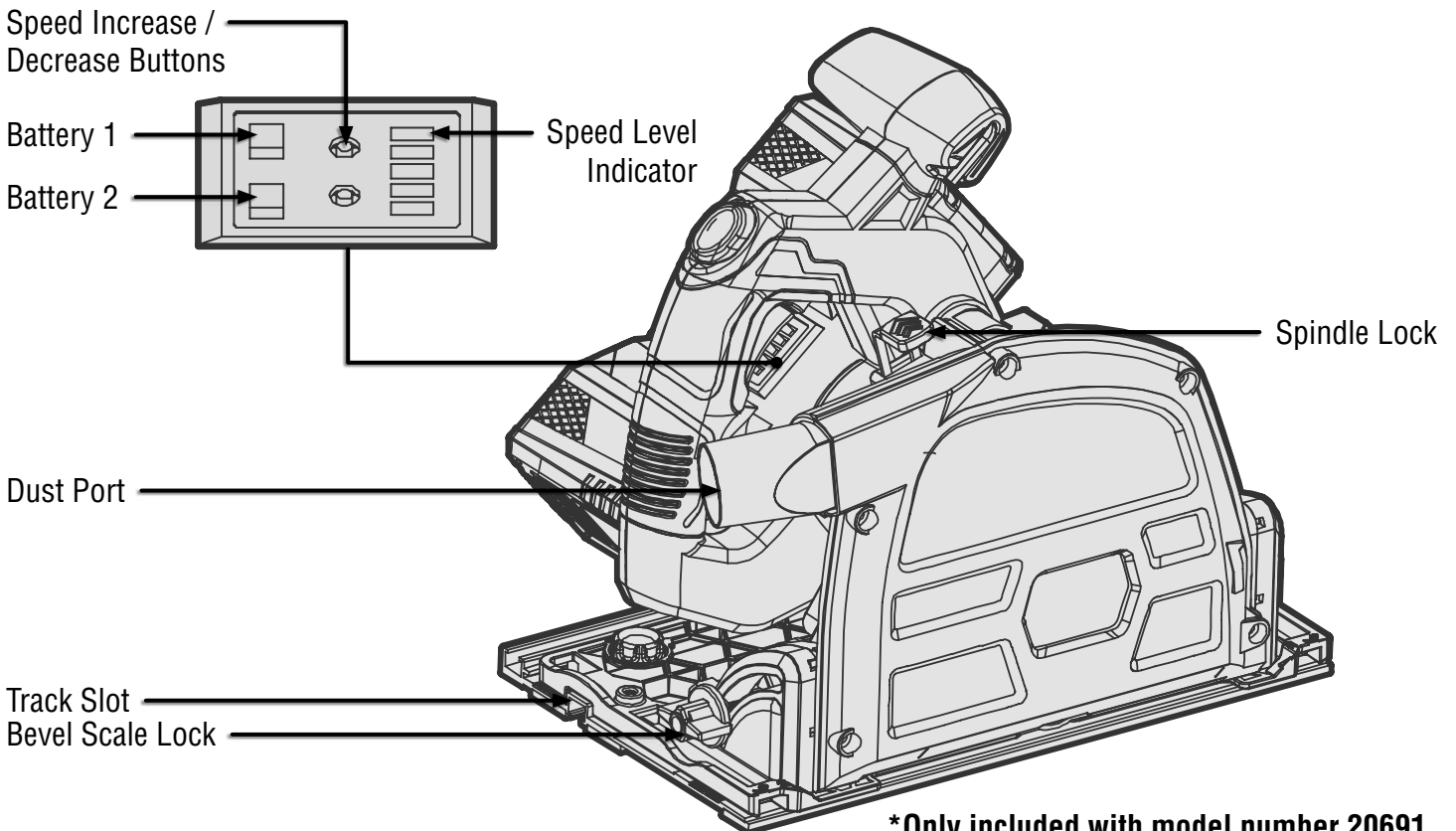
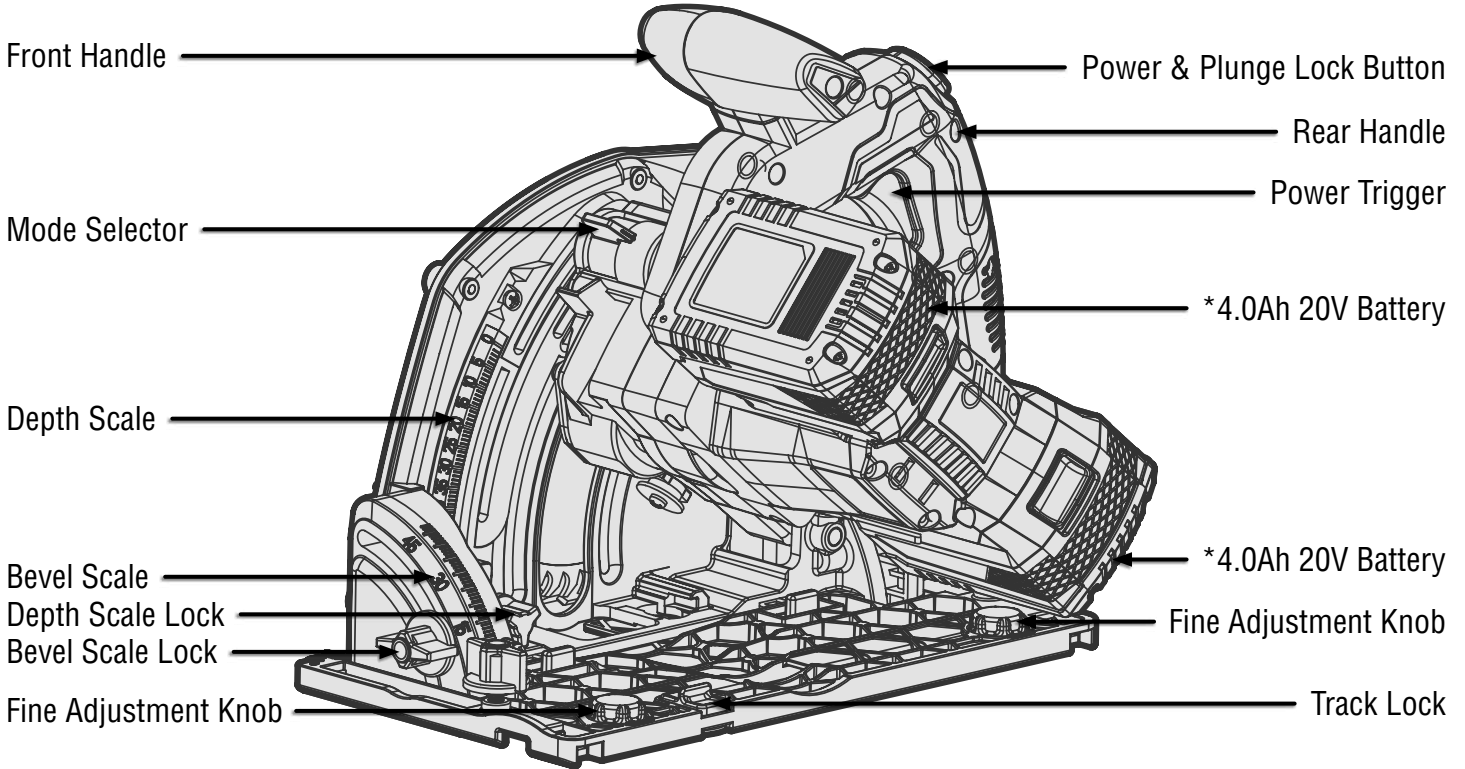
Dust Port Adapter (1)

*Only included with model number 20691.

KNOW YOUR TRACK SAW

TOOL PURPOSE

Track Saws allow you to easily make bevel cuts and rough cuts on large sheets of material. Refer to the following diagrams to become familiarized with all the parts and controls of your track saw. The components will be referred to later in the manual for assembly and operation instructions.



***Only included with model number 20691.**

ASSEMBLY & ADJUSTMENTS

⚠ WARNING! Do not turn on or attach the battery to the tool until it is fully assembled according to the instructions. Read through and become familiarized with the following procedures of handling and adjusting your track saw. Failure to follow the safety instructions may result in serious personal injury.

DUST COLLECTION

A dust collection bag (not included) or vacuum system should be used at all times. The inner diameter of the dust port adapter is 35mm; the outer diameter is 39.5mm.

1. Locate the dust port on the track saw (Fig. 1 - 1).
2. Insert the dust port adapter into the dust port. Position the adapter so the dust hose or bag will not interfere with your work.
3. Securely attach a dust bag or vacuum to the end of the dust port adapter. If using a vacuum, make sure to turn it ON before starting your cut.

MODE SELECTION

The mode selector switch enables fast and easy setting of major functions by simply rotating the switch to the desired mode of operation. The functions include:

- A. Blade Changing
- B. Free Plunge (for general cutting)
- C. Scribe Cut (for a scribe cut 2.5mm deep)

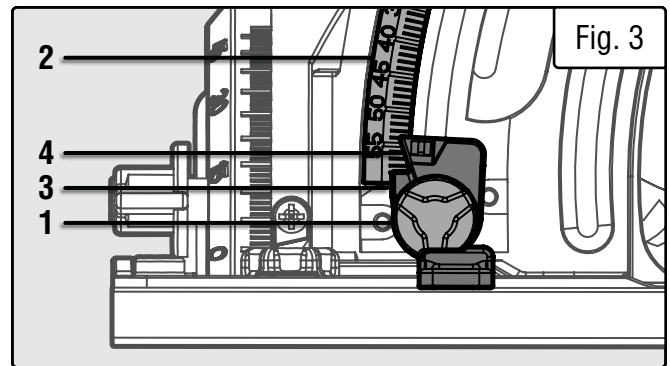
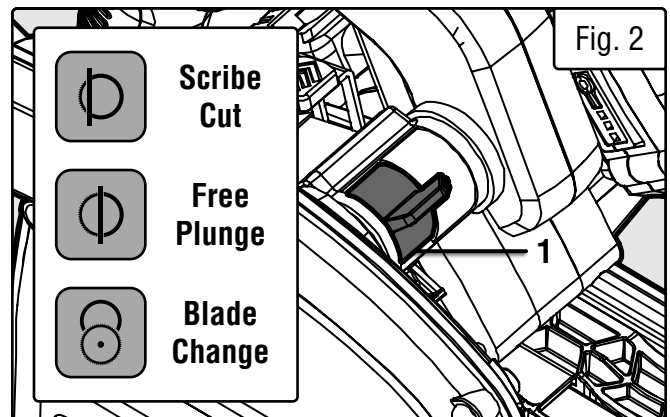
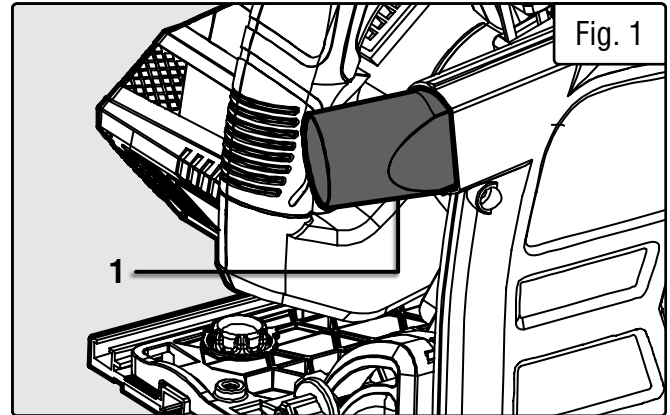
B. FREE PLUNGE MODE

Cutting depth can be set between 0" - 2.28" (58mm).

NOTE: Always maintain an appropriate blade-depth setting. The blade teeth should never protrude more than 1/8" below the material being cut, as excessive blade depth increases the chances of saw kickback or contact with hidden surfaces beneath the workpiece.

1. Make sure that the saw is turned off and the battery is removed before making any adjustments. Turn the mode selector switch (Fig. 2 - 1) to the free-plunge setting. Loosen the depth adjustment knob (Fig. 3 - 1) and slide it up or down so the indication arrow points to the desired depth on the depth scale (Fig. 3 - 2) There are two indication arrows that are used for different operations. The lower indication arrow labeled "I" (Fig. 3 - 3) is the depth of cut with the track. The upper indication arrow labeled "II" (Fig. 3 - 4) is the depth of cut without the track.

2. Tighten the depth adjustment knob to lock it into place. Test the depth setting on a piece of scrap material to make sure it is correct before plugging the saw back in.



ASSEMBLY & ADJUSTMENTS

C. SCRIBE CUTS

1. Turn the mode selector switch (Fig. 2 - 1) to the scribe cut function.
2. Press the plunge lock button (Fig. 4 - 1) and plunge the saw downwards. It will stop at a 2.5mm (0.1 in) depth of cut (with track).

NOTE: An initial scribe cut (before additional cuts) helps prevent friction on the blade, particularly when deep plunge cuts are required. It is also helpful for initial cuts on veneered or melamine laminates.

ADJUSTING THE BEVEL ANGLE

The saw can be beveled between -1° - 47° .

1. Make sure that the saw is OFF and the battery is removed. Loosen both bevel lock knobs (Fig. 5 - 1). Bevel the saw so that the indication arrow (Fig. 5 - 2) is pointing to the desired angle on the bevel scale (Fig. 5 - 3).
2. Tighten both bevel lock knobs to lock the bevel angle into place.
3. Make a test cut in a piece of scrap material. Measure the angle of the cut to confirm that the bevel angle is properly set. If necessary, re-adjust the bevel angle before cutting the actual workpiece.

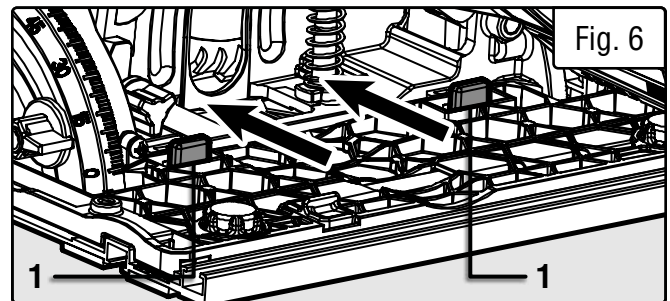
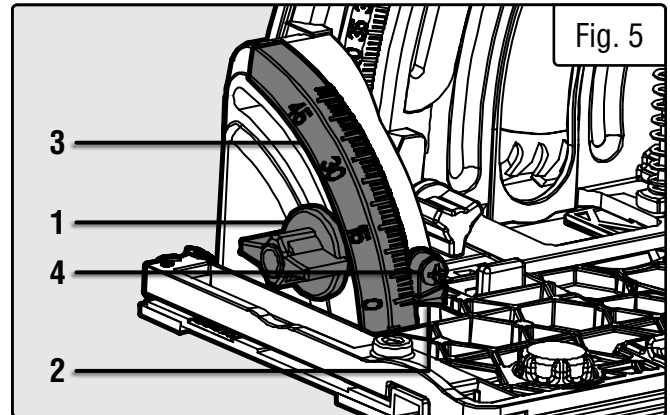
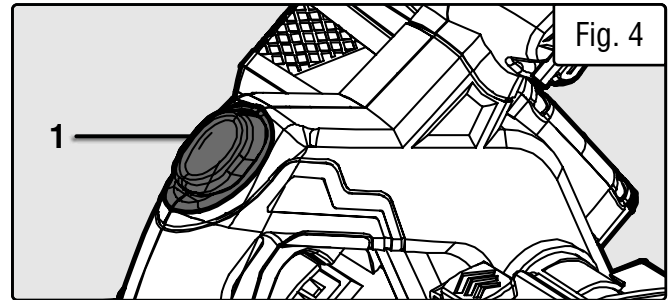
NOTE: The bevel indication arrow should be properly adjusted at the factory. If you find that it is inaccurate, adjust it using the steps below.

1. Make a test cut. Measure the bevel angle.
2. Loosen the screw (Fig. 5 - 4) on the bevel indication arrow. Adjust the arrow so that it points to the angle of the cut. Tighten the screw.

-1° BEVEL CUTTING

Your saw is capable of making -1° beveled cuts.

1. Loosen both bevel lock knobs (Fig. 5 - 1).
2. Press the levers (Fig. 6 - 1) on the base of the saw towards the blade housing as shown in Fig. 6.
3. Set the bevel angle to -1° and retighten the bevel lock knobs.

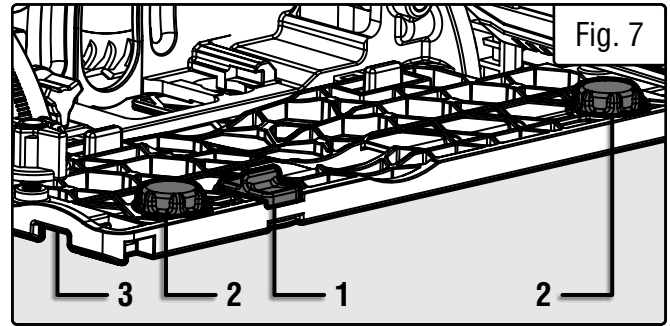


ASSEMBLY & ADJUSTMENTS

USING THE TRACK LOCK

The track lock (Fig. 7 - 1) is an added measure to prevent the track saw from separating from the track.

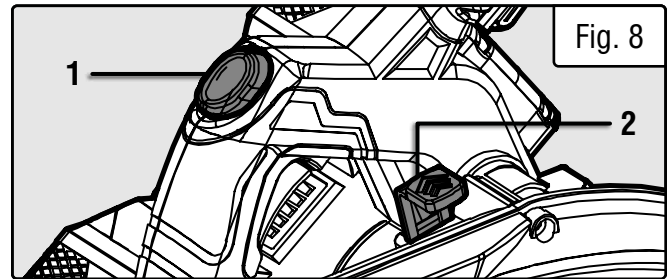
1. Push the track lock to the right to disengage, then set the track saw onto the track.
2. Once the saw is sitting properly on the track, push the track lock to the left to engage. This hooks a small plate on the base of the saw under the lip of the track, preventing the saw from separating from the track.



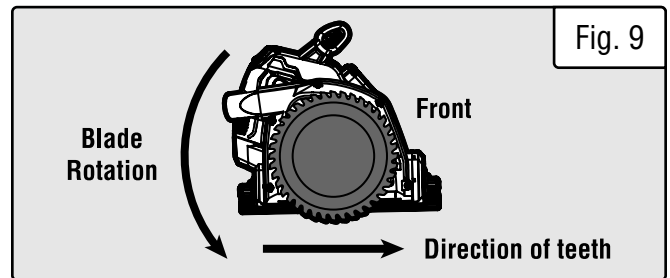
USING THE FINE-ADJUSTMENT KNOBS

There are two fine-adjustment knobs on the base of the saw to help eliminate play between the track guide rail and the track slot on the base of the saw.

1. Loosen the fine-adjustment cam knobs (Fig. 7 - 2) by turning them counter-clockwise until they stop.
2. Set the track saw on the track, ensuring that the track rail enters the slot in the saw base (Fig. 7 - 3).
3. Turn the fine-adjustment cam knobs clockwise until the play has been taken out of the track saw's movement in the track. Avoid overtightening so that the saw has smooth movement.



4. Move the saw forward along the track, ensuring its movement is smooth. Repeat step 3 if adjustments are needed.



DANGER! Never try to use a blade larger than the stated capacity of the saw. Install the suitable blade for your cutting operation. See page 2 for specifications and saw blade safety.

DANGER! Always wear gloves while handling blades to prevent cuts and injuries.

CHANGING THE SAW BLADE

1. Make sure the saw is OFF and the battery is removed. Turn the mode selector switch to the blade changing setting (p. 14, Fig. 2).
2. Press and hold the plunge lock button (Fig. 8 - 1) and plunge the saw downwards until the arbor screw is visible in the blade guard window. Release the plunge lock button; the saw should now be locked in place and unable to be plunged or raised.
3. Press and hold the spindle lock (Fig. 8 - 2), then use the included hex wrench to loosen the arbor screw. Turn the arbor screw counter-clockwise to loosen.
4. Remove the screw and outer flange. Slide blade off the arbor and downwards until it is clear of the blade guard.
5. Install the new blade on the arbor. Ensure that the blade rotation direction is correct. The blade spins counter-clockwise, so orient the saw blade so that at the bottom of the blade, the teeth are pointing toward the front of the saw (pointing counter-clockwise) (Fig. 9). Install the outer flange and arbor screw. Press and hold the spindle lock button, then use the hex wrench to tighten the arbor screw.
6. Press and hold the plunge lock button to release the saw, then raise it.

ASSEMBLY & ADJUSTMENTS

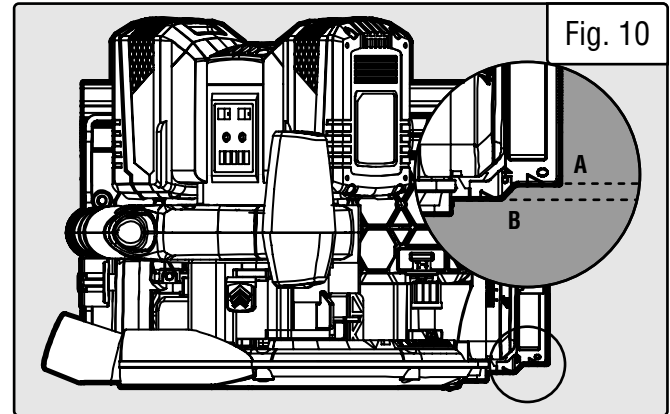
LINE-OF-CUT INDICATORS

Two line-of-cut indicators can be found on the base of the track saw. These notches help you to align your cuts.

1. Mark your cut on your workpiece. Locate the line-of-cut indicators (Fig. 10) on the front and back of the base plate.

2a. When using the saw with the track: Always align position A (the “0” mark on the base plate) with your marked cutting line.

2b. When using the saw without the track: Align position A (the “0” mark on the base plate) with your marked cutting line for straight cuts. Align position B (the “45” mark on the base plate) with your marked cutting line for 45° bevel cuts.



NOTE: Since blade thicknesses vary, it is necessary to make test cuts along a guide line on a piece of scrap material to determine the proper alignment of the guideline within the notch. This will help to obtain an accurate cut with blades of various thicknesses.

⚠ WARNING! To avoid injury from accidental startups, be sure that the tool is switched off and disconnected from the power supply before inspecting the unit, making adjustments, or changing accessories.

CHARGING THE BATTERY PACK

The 20V battery packs for this tool are supplied in a low charge condition to prevent possible problems, and must be charged completely before you use the tool for the first time.

1. Connect the charger to a 120V, 60Hz AC outlet. The green lights on the charger will illuminate, indicating that the charger is powered.

2. Slide the battery into one of the charger ports until it clicks. The red lights on the corresponding charger port will illuminate, indicating that the battery is charging.

Charging Indication:

- Solid Green: Ready to Charge
- Solid Red: Charging
- Solid Green: Charged

3. When the battery is charged, the red light will turn off and the green light will turn on. Remove the battery from the charger and unplug the charger from the power supply.

NOTE: Battery will not reach full charge the first time it is charged. Allow several cycles for the battery to fully charge. The battery pack may become warm while charging; this is normal. If the battery is hot after continuous use in the tool, allow it to cool to room temperature before charging. This will prolong the life of your battery.

The battery pack is equipped with three LED battery life indication lights. Press and hold the power button on the rear of the battery to check the battery's charge status.

Battery Life Indication:

- Three Lights: The battery is fully charged.
- Two Lights: The battery is about 60% charged.
- One Light: The battery is almost out of power and needs to be charged.

INSERTING AND REMOVING THE BATTERY

1. To install the batteries, slide the battery packs into the battery ports on the side of the track saw. Make sure the release latch on the front of the battery packs snap into place and batteries are secure before beginning operation.

2. To remove the batteries, press the battery release latch on the front of the battery and pull the battery out.

NOTE: You may charge one or two batteries at the same time, in any capacity combination (e.g. 2Ah and 4Ah, etc.).

OPERATION

⚠ WARNING! Do not attach the battery or turn on the tool until it is fully assembled according to the instructions. Read through and become familiarized with the following procedures of handling and adjusting your track saw. Failure to follow the safety instructions may result in serious personal injury.

⚠ WARNING! Always let the blade reach full speed before guiding the saw into the workpiece. The blade coming into contact with the workpiece before reaching full speed, could cause your saw to KICKBACK towards you resulting in serious personal injury.

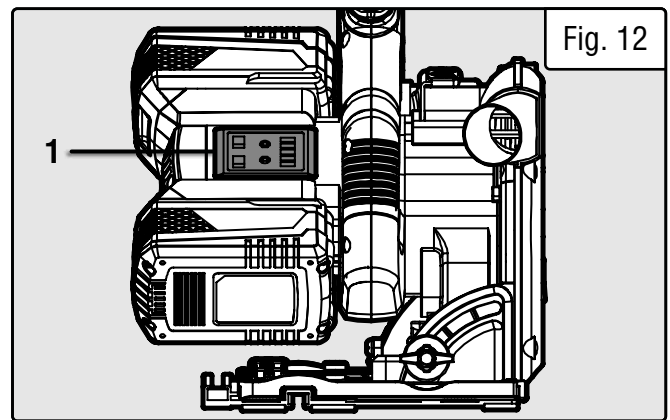
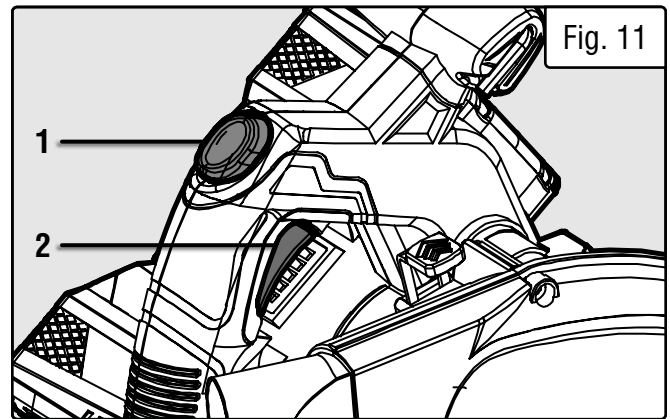
STARTING / STOPPING THE SAW

1. Make sure the batteries are connected to the saw and have charge.
2. To start the saw, press and hold the plunge lock button (Fig. 11 - 1), then pull the power trigger (Fig. 11 - 2). Once the saw reaches maximum speed, plunge the saw downwards.
3. To stop the saw, release the power trigger. Allow the blade to come to a complete stop.

NOTE: Do not remove your saw from the workpiece while the blade is still moving.

CHANGING SPEEDS

You can adjust the blade speed between 2000 and 5500 RPM using the speed arrow buttons on the speed display (Fig. 12 - 1). The optimal blade speed depends on the type and thickness of the workpiece. Press the up arrow to increase the speed of the blade and the down arrow to decrease the speed of the blade.



Speed Range	Material Type
1-2	Gypsum- and cement-bonded fiberboard, soft plastics, non-ferrous metals
3-4	Hard plastics, fiberglass, paper and fabrics, particle- and hardboards, acrylic
5	Solid wood (hard or soft), plywood, veneered or coated boards, plastic-coated boards, MDF boards

Reduce the cutting speed for clean cuts in soft and heat-sensitive materials.

NOTE: At higher speeds, you can cut the workpiece faster, but this will wear out the blade more quickly.

⚠ WARNING! Do not attempt to use the variable-speed function in order to use saw blades with lower no-load speed ratings. Only use saw blades rated for at least 5500 RPM.

OPERATION

OPERATING THE SAW

1. Hold the tool firmly with both hands, using both the front grip and the rear handle. Avoid placing your hand on the workpiece while making a cut.
2. Place the workpiece with the “good” side down.
3. Set-up and support the workpiece so that the cut is always on your right side. The larger (left) side of the saw’s base should be on the part that does not fall off when a cut is made.
4. Securely clamp the workpiece so it will not move during the cut. If you are cutting with a track, use two clamps to clamp the track to the workpiece. If you are cutting without a track, place a clamp as close to the base of the saw as possible to support the workpiece. Make sure the clamp is as close to the cut as possible without getting in the way of the saw’s line of motion.
5. Draw a guideline along the desired path of cut before starting your saw or the cut. Set up the track to meet the needs of your particular guide line.
6. Make sure that the batteries are properly connected to the saw and that both have charge. Start the saw and make your cut.

CAUTION: To make sawing easier and safer, be sure to move the tool forward gently in a straight line. Never force or twist the saw during operation. Forcing or twisting the tool will result in overheating the motor and will increase the chances of dangerous kickback, possibly causing severe personal injury. Do not pull the saw towards you, or move the saw backwards, while cutting.

CROSS-CUTTING AND RIP CUTTING

Cutting directly across the grain of a piece of wood is called crosscutting. Cutting wood lengthwise, or with the grain, is referred to as rip cutting (or simply “ripping”). Both types of cuts are performed in the same manner with the exception of the methods used to support and secure the workpiece for cutting. After you have secured the workpiece in position, performed the saw set-up adjustments, made the necessary measurements, drawn a straight guide line, and put on your personal protection, you can begin the cutting operation.

1. Hold the tool firmly with both hands, using both the front grip and the rear handle. Avoid placing your hand on the workpiece while making a cut.
2. Set the front portion of the saw’s base on the workpiece to be cut without the blade making any contact. Align the line-of-cut indicator notch on the right side of the base with your guideline. Turn the saw on and wait until it reaches full speed.
3. Ease the tool forward over the workpiece surface, keeping it flat and advancing smoothly while following your guideline until sawing is completed.
4. Once the cut is complete, release the power trigger. Wait for the blade to completely stop. Raise the saw. Now you can safely remove the saw from the workpiece and set it out of the way.
5. To achieve clean cuts, keep your sawing line straight while smoothly advancing forward. Do not force the saw forward too quickly in order to try and hurry up the process. Let the tool work at its own pace.
6. If the cut fails to properly follow your intended cut line, **do not** attempt to turn or force the tool back to the cut line. Doing so may bind the blade and lead to dangerous kickback and possible serious injury. Do not pull the saw towards you, or move the saw backwards, while cutting. Instead, release the switch trigger, wait for the blade to stop, and then remove the tool. Realign saw on a new cut guide line and start the cut again.
7. Position yourself in a way that allows you to avoid the wooden chips and dust being ejected from the saw.

OPERATION


BEVEL CUTTING

For instructions on how to bevel the saw blade, see “ADJUSTING THE BEVEL ANGLE” on page 15.

Bevel cuts are made using the same technique as crosscuts and ripping described in the previous section. The difference is that the blade is set at a tilted angle between -1° - 47° . A bevel cut made at an angle to the edge of a board is called a compound miter.

There are tools better suited for bevel and compound cuts than the track saw. Although the inner line-of-cut indicator notch aids the operator in following the cut's guideline, the tilted motor housing sometimes obstructs the operator's ability to see the blade, making accurate cuts difficult. Before taking on a project with numerous compound or bevel cuts, it is suggested that inexperienced saw users spend time making practice cuts in scrap material to become familiar with and overcome difficulties associated with compound/bevel cutting.

NOTE: Keep in mind that bevel cutting may cause misalignment or alter the rubber strip along the edge of your track.

 **WARNING!** Always let the blade reach full speed before guiding the saw into the workpiece. The blade coming into contact with the workpiece before reaching full speed, could cause your saw to kick back towards you, possibly resulting in serious personal injury.

OPERATION

PLUNGE CUTS

A plunge cut is a cut that must be made inside the area of the workpiece, rather than starting from an outside edge and working inward.

1. Adjust the bevel setting to zero; see “ADJUSTING THE BEVEL ANGLE” on page 15.
2. Turn the mode selector switch to the free-plunge setting, see “MODE SELECTION” on page 14.
3. Set the blade to the correct blade depth setting and position it where you would like your cut to occur.
4. Press the plunge lock button (Fig. 13 - 1) to allow the saw to plunge downwards, while not allowing the blade to actually contact the workpiece.
5. Power the saw on by pulling the trigger switch (Fig. 13 - 2). Allow it to reach full speed.
6. Once the blade has reached its maximum speed, lower the blade down into the workpiece until the set cutting depth has been reached. Once the saw cannot be lowered anymore, move the saw along the desired cut line in an even and steady motion.

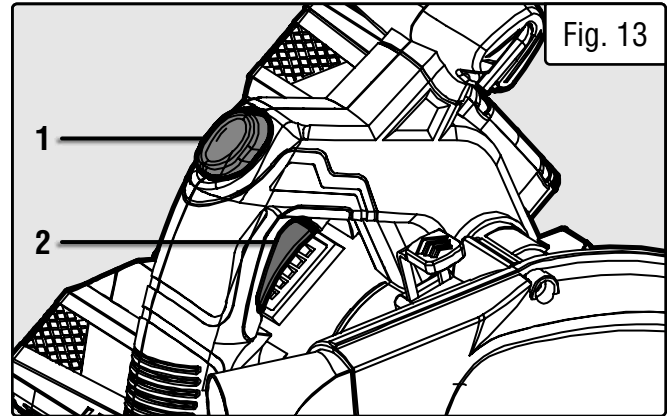


Fig. 13

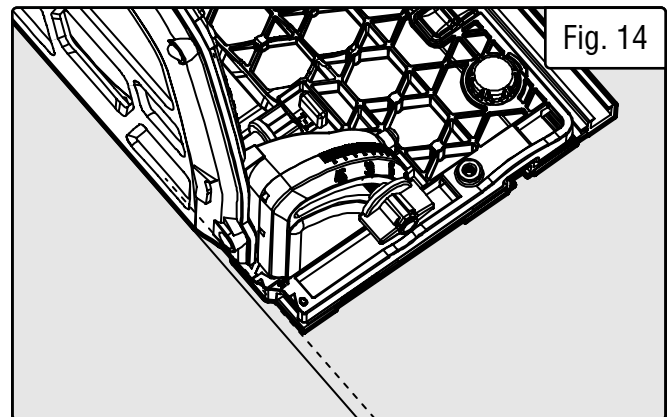


Fig. 14

FLUSH CUTTING (FIG. 14)

Your track saw can perform cuts close to walls or other obstructions (for example, when removing hardwood flooring).

NOTE: The minimum distance between the cut line and wall is 16mm (5/8”).

1. Turn the mode selector switch to the scribe-cut or free-plunge setting, see “MODE SELECTION” on page 14.
2. Adjust the bevel angle to 0 degrees, see “ADJUSTING THE BEVEL ANGLE” on page 15.
3. If using the free-plunge setting, set the desired plunge depth and ensure that the track compensation mechanism is properly adjusted, see “B. FREE PLUNGE MODE” on page 14. If using the scribe-cut setting, the cutting depth is pre-set at 2.5mm (0.1”).
4. Plunge the saw downwards and complete the cut, see “OPERATING THE SAW” on page 19. After completing the cut, release the power trigger (Fig. 13 - 2) and allow the blade to come to a complete stop before removing the saw from the workpiece.

TROUBLESHOOTING GUIDE

⚠ WARNING! Stop using the tool immediately if any of the following problems occur. Repairs and replacements should only be performed by an authorized technician. For any questions, please contact our customer service at **1-847-429-9263**, M-F 8-5 CST or email us at techsupport@wenproducts.com.

PROBLEM	CAUSE	SOLUTION
Motor does not start	1. Plunge button not pressed, or not pressed all the way.	1. Ensure plunge button is fully pressed before beginning plunge.
	2. Batteries not connected properly or not charged.	2. Check that the batteries are connected properly to the tool and have sufficient charge.
	3. Defective power switch.	3. Stop using the tool and call 1-847-429-9263 for customer service.
	4. Defective motor or other internal problem.	4. Stop using the tool and call 1-847-429-9263 for customer service.
Saw overheats	1. Tool forced to work too fast.	1. Do not force tool. Ensure blade selection is appropriate for cut type and workpiece.
	2. Blocked motor housing vents.	2. Wear safety glasses & dust mask. Blow dust out of motor housing vents.
Excessive slop (play) between track and saw	1. Fine-adjustment cams improperly adjusted.	1. Adjust the fine-adjustment cams. Refer to page 16.
Ineffective cutting performance	1. Blade is dull.	1. Sharpen or replace blade.
	2. Blade is dirty.	2. Remove the blade and clean the surface and cutting edge with steel wool and turpentine.
	3. The blade is not secure.	3. Make sure the blade flanges are flush against the blade and arbor bolt is tightened completely.
	4. Blade is installed improperly.	4. Ensure blade is installed in correct orientation.
	5. Incorrect blade used for workpiece.	5. Ensure blade is compatible with the material type and thickness being cut.
Excessive noise or vibration	1. Blade is installed improperly.	1. Ensure blade is installed in correct orientation.
	2. Blade is damaged.	2. Replace blade.
	3. Blade is not secure.	3. Make sure blade flanges are flush against the blade and arbor bolt is tightened completely.
	4. Cutting too fast.	4. Do not force the tool. Let it work at its own pace. Ensure blade selection is appropriate for cut type and workpiece.
	5. Worn bearings.	5. Stop using the tool and call 1-847-429-9263 for customer service.
Blade will not turn	1. Spindle lock engaged.	1. Disengage the spindle lock; move blade back and forth to ensure it is disengaged.
	2. Worn bearings.	2. Stop using the tool and call 1-847-429-9263 for customer service.
	3. Defective gears.	3. Stop using the tool and call 1-847-429-9263 for customer service.
Ineffective cutting performance	1. Plunge button not pressed, or not pressed all the way.	1. Ensure plunge button is fully pressed before beginning plunge.
	2. Incorrect plunge mode selected.	2. Select correct plunge mode (see page 13).
	3. Broken plunge linkage.	3. Stop using the tool and call 1-847-429-9263 for customer service.

MAINTENANCE

⚠ WARNING! To avoid accidents, turn OFF and remove the battery pack from the charger and the charger from the outlet before cleaning, adjusting, or performing any maintenance work.

⚠ WARNING! Any attempt to repair or replace electrical parts on this tool may be hazardous. Servicing of the tool must be performed by a qualified technician. When servicing, use only identical WEN replacement parts. Use of other parts may be hazardous or induce product failure.

ROUTINE INSPECTION

Before each use, inspect the general condition of the tool. If any of these following conditions exist, do not use until parts are replaced.

Check for:

- Loose hardware,
- Damaged battery pack,
- Cracked or broken parts, and
- Any other condition that may affect its safe operation

CLEANING & STORAGE

1. Keep the ventilation openings free from dust and debris to prevent the motor from overheating.
2. Wipe the tool surfaces clean with a damp cloth and mild soap. Make sure water does not get into the tool.

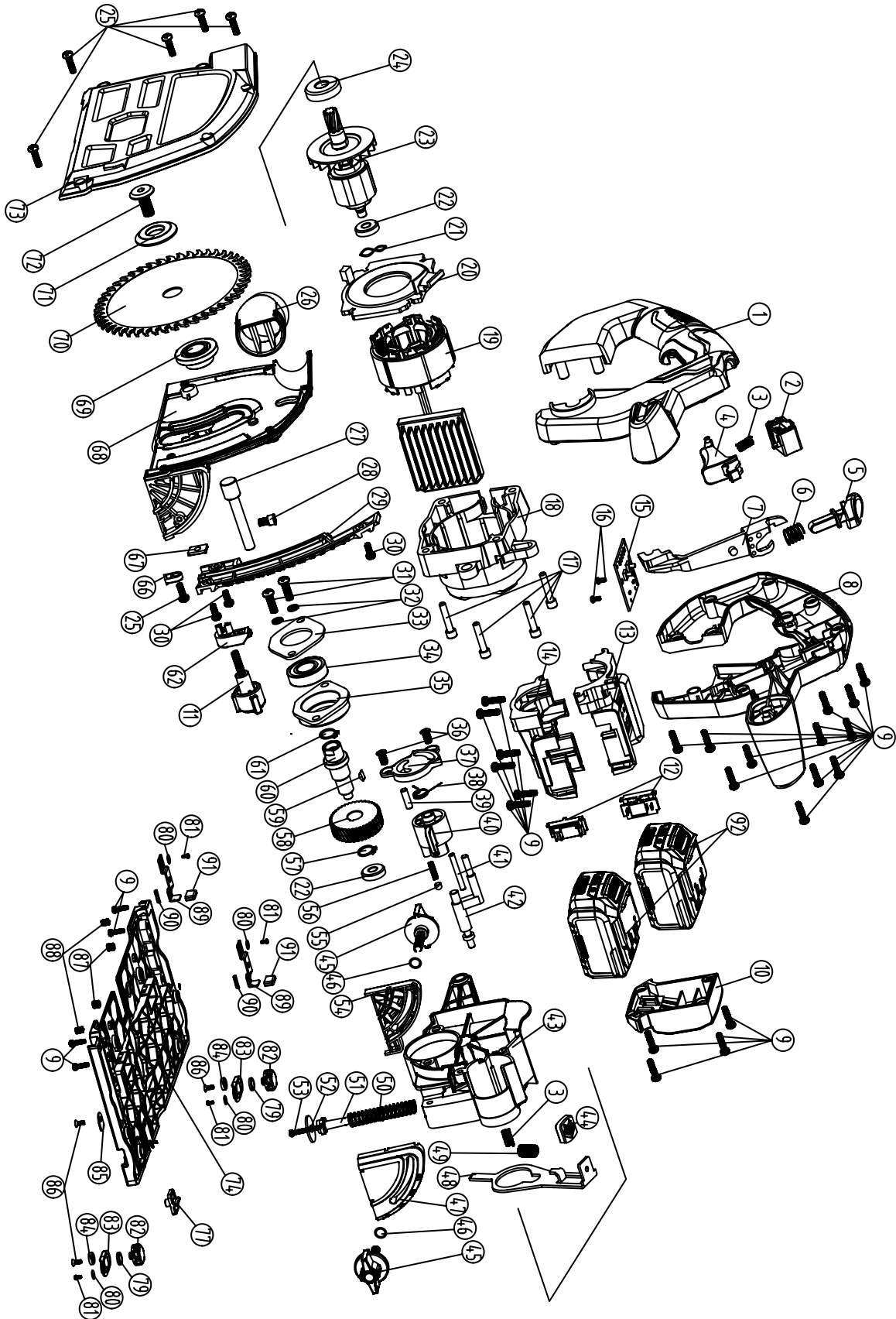
CAUTION: Most plastics are susceptible to damage from various types of commercial solvents. Do not use any solvents or cleaning products that could damage the plastic parts. Some of these include but are not limited to: gasoline, carbon tetrachloride, chlorinated cleaning solvents, and household detergents that contain ammonia.

3. Allow the tool to cool before storing it. Store the tool in a clean and dry place away from the reach of children.

PRODUCT DISPOSAL

Used power tools should not be disposed of together with household waste. This product contains electronic components that should be recycled. Please take this product to your local recycling facility for responsible disposal and to minimize its environmental impact.

EXPLODED VIEW & PARTS LIST



NOTE: Not all parts may be available for purchase. Parts and accessories that wear down over the course of normal use are not covered under the warranty.

EXPLODED VIEW & PARTS LIST

No.	Part No.	Description	Qty.	No.	Part No.	Description	Qty.
1	20691-001	Right Handle Housing	1	37	CT1065-042	Depth Selector Cover	1
2	20691-002	Switch Button	1	38	CT1065-041	Depth Selector Spring	1
3	CT1065-009	Switch Spring	2	39	CT1065-056	Locating Pin	1
4	20691-004	Power Switch	1	40	CT1065-040	Depth Selector Switch	1
5	20691-005	Plunge Release Button	1	41	20691-041	Roller Pin	1
6	20691-006	Plunge Release Button Spring	1	42	CT1065-039	Depth Selector	1
7	20691-007	Plunge Release Linkage Bar	1	43	CT1065-038	Gearbox	1
8	20691-008	Left Handle Housing	1	44	CT1065-037	Spindle Lock Grip	1
9	20691-009	Housing Screws	22	45	CT1065-060	Bevel Knob	2
10	20691-010	Motor Housing Cover	1	46	CT1065-108	Washer	2
11	20691-011	Depth Locking Knob	1	47	CT1065-062	Front Bevel Plate	1
12	20691-012	Battery Terminal Connectors	2	48	CT1065-063	Spindle Lock	1
13	20691-013	Upper Motor Housing	1	49	CT1065-061	Spindle Lock Spring	1
14	20691-014	Lower Motor Housing	1	50	CT1065-070	Blade Head Spring	1
15	20691-015	Motor PCB	1	51	CT1065-072	Spring Rod	1
16	20691-016	Self-tapping Screw	2	52	CT1065-073	Rod Spacer	1
17	20691-017	Motor Screws M5x25	4	53	20691-053	Self-tapping Screw ST4x34	1
18	20691-018	Motor Bracket	1	54	CT1065-075	Rear Bevel Plate	1
19	20691-019	Stator	1	55	CT1065-058	Steel Ball	1
20	20691-020	Motor Dust Shield	1	56	CT1065-057	Locating Pin Spring	1
21	20691-021	Wave Washer	1	57	20691-057	Circlip	1
22	20691-022	Motor Bearing	2	58	20691-058	Drive Gear	1
23	20691-023	Rotor	1	59	20691-059	Half-round Shaft Key	1
24	20691-024	Output Bearing	1	60	20691-060	Output Shaft	1
25	20691-025	Blade Housing Screws M4x14	6	61	20691-061	Circlip	1
26	CT1065-053	Dust Port	1	62	20691-062	Depth Indicator	1
27	CT1065-052	Guide Shaft	1	66	CT1065-086	Bevel Indicator	1
28	20691-028	Set Screw M5x16	1	67	CT1065-087	Depth Indicator Nut	1
29	20691-029	Depth Scale	1	68	20691-068	Inner Blade Housing	1
30	20691-030	Screw M4x8	3	69	20691-069	Inner Blade Flange	1
31	20691-031	Screw M5x16	2	70	20691B	Blade	1
32	20691-032	Spring Washer	2	71	CT1065-091	Outer Blade Flange	1
33	CT1065-046	Bearing Cover Plate	1	72	CT1065-092	Arbor Screw	1
34	20691-034	Drive Bearing	1	73	CT1065-093	Outer Blade Housing	1
35	CT1065-044	Drive Bearing Bracket	1	74	20691-074	Base	1
36	20691-036	Screw M5x8	2	77	20691-077	Rail Lock Switch	1
				79	20691-079	O-ring	2
				80	20691-080	Washer	4

EXPLODED VIEW & PARTS LIST

No.	Part No.	Description	Qty.	No.	Part No.	Description	Qty.
81	20691-081	Screw M3x6	4	87	20691-087	Screw M8x8	2
82	20691-082	Cam Adjustment Knob	2	88	20691-088	Screw M6x8	2
83	20691-083	Adjustment Cam	2	89	20691-089	Push Bar	2
84	20691-084	Washer	2	90	20691-090	Push Bar Spring	2
85	20691-085	Rail Lock	1	91	20691-091	Push Bar Cover	2
86	20691-086	Self-tapping Screw	3	92	20204D	Battery	2

NOTE: Not all parts may be available for purchase. Parts and accessories that wear down over the course of normal use are not covered under the warranty.

WARRANTY STATEMENT

WEN Products is committed to building tools that are dependable for years. Our warranties are consistent with this commitment and our dedication to quality.

LIMITED WARRANTY OF WEN PRODUCTS FOR HOME USE

GREAT LAKES TECHNOLOGIES, LLC (“Seller”) warrants to the original purchaser only, that all WEN consumer power tools will be free from defects in material or workmanship during personal use for a period of two (2) years from date of purchase or 500 hours of use; whichever comes first. Ninety days for all WEN products if the tool is used for professional or commercial use. Purchaser has 30 days from the date of purchase to report missing or damaged parts.

SELLER’S SOLE OBLIGATION AND YOUR EXCLUSIVE REMEDY under this Limited Warranty and, to the extent permitted by law, any warranty or condition implied by law, shall be the replacement of parts, without charge, which are defective in material or workmanship and which have not been subjected to misuse, alteration, careless handling, misrepair, abuse, neglect, normal wear and tear, improper maintenance, or other conditions adversely affecting the Product or the component of the Product, whether by accident or intentionally, by persons other than Seller. To make a claim under this Limited Warranty, you must make sure to keep a copy of your proof of purchase that clearly defines the Date of Purchase (month and year) and the Place of Purchase. Place of Purchase must be a direct vendor of Great Lakes Technologies, LLC. Purchasing through third party vendors, including but not limited to garage sales, pawn shops, resale shops, or any other secondhand merchant, voids the warranty included with this product. Contact techsupport@wenproducts.com or 1-847-429-9263 with the following information to make arrangements: your shipping address, phone number, serial number, required part numbers, and proof of purchase. Damaged or defective parts and products may need to be sent to WEN before the replacements can be shipped out.

Upon the confirmation of a WEN representative, your product may qualify for repairs and service work. When returning a product for warranty service, the shipping charges must be prepaid by the purchaser. The product must be shipped in its original container (or an equivalent), properly packed to withstand the hazards of shipment. The product must be fully insured with a copy of the proof of purchase enclosed. There must also be a description of the problem in order to help our repairs department diagnose and fix the issue. Repairs will be made and the product will be returned and shipped back to the purchaser at no charge for addresses within the contiguous United States.

THIS LIMITED WARRANTY DOES NOT APPLY TO ITEMS THAT WEAR OUT FROM REGULAR USAGE OVER TIME, INCLUDING BELTS, BRUSHES, BLADES, BATTERIES, ETC. ANY IMPLIED WARRANTIES SHALL BE LIMITED IN DURATION TO TWO (2) YEARS FROM DATE OF PURCHASE. SOME STATES IN THE U.S. AND SOME CANADIAN PROVINCES DO NOT ALLOW LIMITATIONS ON HOW LONG AN IMPLIED WARRANTY LASTS, SO THE ABOVE LIMITATION MAY NOT APPLY TO YOU.

IN NO EVENT SHALL SELLER BE LIABLE FOR ANY INCIDENTAL OR CONSEQUENTIAL DAMAGES (INCLUDING BUT NOT LIMITED TO LIABILITY FOR LOSS OF PROFITS) ARISING FROM THE SALE OR USE OF THIS PRODUCT. SOME STATES IN THE U.S. AND SOME CANADIAN PROVINCES DO NOT ALLOW THE EXCLUSION OR LIMITATION OF INCIDENTAL OR CONSEQUENTIAL DAMAGES, SO THE ABOVE LIMITATION OR EXCLUSION MAY NOT APPLY TO YOU.

THIS LIMITED WARRANTY GIVES YOU SPECIFIC LEGAL RIGHTS, AND YOU MAY ALSO HAVE OTHER RIGHTS WHICH VARY FROM STATE TO STATE IN THE U.S., PROVINCE TO PROVINCE IN CANADA AND FROM COUNTRY TO COUNTRY.

THIS LIMITED WARRANTY APPLIES ONLY TO ITEMS SOLD WITHIN THE UNITED STATES OF AMERICA, CANADA AND THE COMMONWEALTH OF PUERTO RICO. FOR WARRANTY COVERAGE WITHIN OTHER COUNTRIES, CONTACT THE WEN CUSTOMER SUPPORT LINE. FOR WARRANTY PARTS OR PRODUCTS REPAIRED UNDER WARRANTY SHIPPING TO ADDRESSES OUTSIDE OF THE CONTIGUOUS UNITED STATES, ADDITIONAL SHIPPING CHARGES MAY APPLY.

**THANKS FOR
REMEMBERING**  [®]