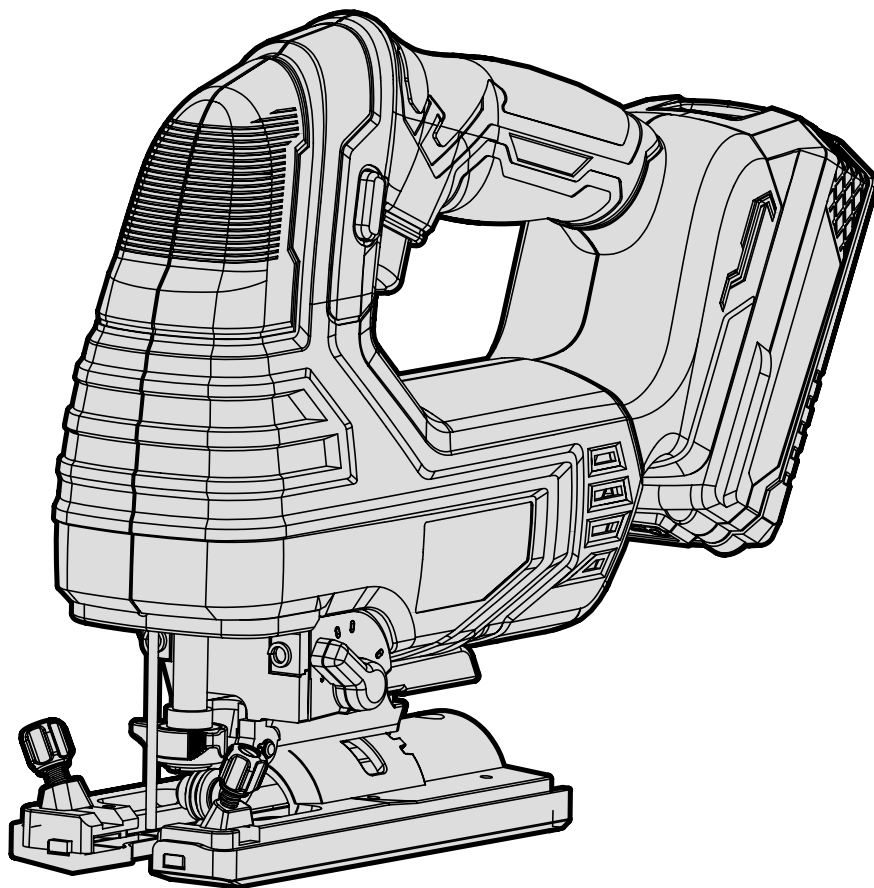




**MODEL 20667, 20667BT**

# **20V MAX BRUSHLESS JIGSAW**

**Instruction Manual**



## **NEED HELP? CONTACT US!**

Have product questions? Need technical support? Please feel free to contact us:



**1-800-232-1195 (M-F 8AM-5PM CST)**



**TECHSUPPORT@WENPRODUCTS.COM**

**IMPORTANT:** Your new tool has been engineered and manufactured to WEN's highest standards for dependability, ease of operation, and operator safety. When properly cared for, this product will supply you years of rugged, trouble-free performance. Pay close attention to the rules for safe operation, warnings, and cautions. If you use your tool properly and for its intended purpose, you will enjoy years of safe, reliable service.

For replacement parts and the most up-to-date instruction manuals, visit ***WENPRODUCTS.COM***

# CONTENTS

<b>WELCOME</b>	<b>3</b>
Introduction .....	3
Specifications.....	3
<b>SAFETY</b>	<b>4</b>
General Safety Rules.....	4
Jigsaw Safety Warnings.....	6
Electrical Information.....	8
Battery & Charger Safety Warnings .....	9
<b>BEFORE OPERATING</b>	<b>11</b>
Unpacking & Packing List.....	11
Know Your Jigsaw .....	12
<b>OPERATION &amp; MAINTENANCE</b>	<b>14</b>
Operation .....	14
Maintenance.....	16
Exploded View & Parts List.....	17
Warranty Statement.....	19

To purchase accessories and replacement parts for your tool, visit **WENPRODUCTS.COM**

**20V 2.0Ah Max Battery** (Model 20202)

**20V 4.0Ah Max Battery** (Model 20204)

**20V 5.0Ah Max Battery** (Model 20205)


**20V 2A Charger** (Model 20200C)

**20V 5A Quick Charger** (Model 20201Q)

WEN plans to continue to add more items to our 20V line. For an up-to-date list of the 20V cordless tools compatible with the included battery and charger, visit **wenproducts.com** and search model number 20202 (2Ah) or 20204 (4Ah). In the battery's description, there will be a list of current products that this battery can be used with.

## INTRODUCTION

Thanks for purchasing the WEN Jigsaw. We know you are excited to put your tool to work, but first, please take a moment to read through the manual. Safe operation of this tool requires that you read and understand this operator's manual and all the labels affixed to the tool. This manual provides information regarding potential safety concerns, as well as helpful assembly and operating instructions for your tool.

 Indicates danger, warning, or caution. The safety symbols and the explanations with them deserve your careful attention and understanding. Always follow the safety precautions to reduce the risk of fire, electric shock or personal injury. However, please note that these instructions and warnings are not substitutes for proper accident prevention measures.

**NOTE:** The following safety information is not meant to cover all possible conditions and situations that may occur. WEN reserves the right to change this product and specifications at any time without prior notice.

At WEN, we are continuously improving our products. If you find that your tool does not exactly match this manual, please visit [wenproducts.com](http://wenproducts.com) for the most up-to-date manual or contact our customer service at **1-800-232-1195**.

**Keep this manual available to all users during the entire life of the tool and review it frequently to maximize safety for both yourself and others.**

## SPECIFICATIONS

Model Number	20667, 20667BT
Included Battery*	4.0Ah Battery (Model 20204)*
Included Charger*	20V, 2A DC (Model 20200C)*
Motor	20V
No Load Speed	0 - 3000 SPM
Stroke Length	1 Inch (25.4mm)
Wood Cutting Capacity	4.72 in. (120mm)
Metal Cutting Capacity	0.32 in. (8mm)
Bevel Angle	45° Left and Right
Dust Port Outer Diameter	1.4 in. (35mm)
Product Dimensions	9.70 in. x 2.85 in. x 8.66 in.
Product Weight	4.8 Pounds
Battery Models	All WEN 20V MAX Batteries**
Charger Models	All WEN 20V MAX Chargers

**\*NOTE:** Battery and charger only included with model 20667 Model 20667BT does not include a battery or charger.

**\*\*NOTE:** Some tools may not be compatible with WEN 20V MAX 1.5Ah Batteries, model 49120B. Contact WEN customer service at **1-800-232-1195**, M-F with questions.

# GENERAL SAFETY RULES

 **WARNING!** Read all safety warnings and all instructions. Failure to follow the warnings and instructions may result in electric shock, fire and/or serious injury.

Safety is a combination of common sense, staying alert and knowing how your item works. The term “power tool” in the warnings refers to your mains-operated (corded) power tool or battery-operated (cordless) power tool.

## SAVE THESE SAFETY INSTRUCTIONS.

### WORK AREA SAFETY

- 1. Keep work area clean and well lit.** Cluttered or dark areas invite accidents.
- 2. Do not operate power tools in explosive atmospheres, such as in the presence of flammable liquids, gases or dust.** Power tools create sparks which may ignite the dust or fumes.
- 3. Keep children and bystanders away while operating a power tool.** Distractions can cause you to lose control.

### ELECTRICAL SAFETY

- 1. Power tool plugs must match the outlet. Never modify the plug in any way. Do not use any adapter plugs with earthed (grounded) power tools.** Unmodified plugs and matching outlets will reduce risk of electric shock.
- 2. Avoid body contact with earthed or grounded surfaces such as pipes, radiators, ranges and refrigerators.** There is an increased risk of electric shock if your body is earthed or grounded.
- 3. Do not expose power tools to rain or wet conditions.** Water entering a power tool will increase the risk of electric shock.
- 4. Do not abuse the cord. Never use the cord for carrying, pulling or unplugging the power tool. Keep cord away from heat, oil, sharp edges or moving parts.** Damaged or entangled cords increase the risk of electric shock.
- 5. When operating a power tool outdoors, use an extension cord suitable for outdoor use.** Use of a cord suitable for outdoor use reduces the risk of electric shock.

**6. If operating a power tool in a damp location is unavoidable, use a ground fault circuit interrupter (GFCI) protected supply.** Use of a GFCI reduces the risk of electric shock.

### PERSONAL SAFETY

- 1. Stay alert, watch what you are doing and use common sense when operating a power tool. Do not use a power tool while you are tired or under the influence of drugs, alcohol or medication.** A moment of inattention while operating power tools may result in serious personal injury.
- 2. Use personal protective equipment. Always wear eye protection.** Protective equipment such as a respiratory mask, non-skid safety shoes and hearing protection used for appropriate conditions will reduce the risk of personal injury.
- 3. Prevent unintentional starting. Ensure the switch is in the off-position before connecting to power source and/or battery pack, picking up or carrying the tool.** Carrying power tools with your finger on the switch or energizing power tools that have the switch on invites accidents.
- 4. Remove any adjusting key or wrench before turning the power tool on.** A wrench or a key left attached to a rotating part of the power tool may result in personal injury.
- 5. Do not overreach. Keep proper footing and balance at all times.** This enables better control of the power tool in unexpected situations.
- 6. Dress properly. Do not wear loose clothing or jewelry. Keep your hair and clothing away from moving parts.** Loose clothes, jewelry or long hair can be caught in moving parts.

# GENERAL SAFETY RULES

 **WARNING!** Read all safety warnings and all instructions. Failure to follow the warnings and instructions may result in electric shock, fire and/or serious injury.

Safety is a combination of common sense, staying alert and knowing how your item works. The term “power tool” in the warnings refers to your mains-operated (corded) power tool or battery-operated (cordless) power tool.

## SAVE THESE SAFETY INSTRUCTIONS.

**7. If devices are provided for the connection of dust extraction and collection facilities, ensure these are connected and properly used.** Use of dust collection can reduce dust-related hazards.

### POWER TOOL USE AND CARE

**1. Do not force the power tool. Use the correct power tool for your application.** The correct power tool will do the job better and safer at the rate for which it was designed.

**2. Do not use the power tool if the switch does not turn it on and off.** Any power tool that cannot be controlled with the switch is dangerous and must be repaired.

**3. Disconnect the plug from the power source and/or the battery pack from the power tool before making any adjustments, changing accessories, or storing power tools.** Such preventive safety measures reduce the risk of starting the power tool accidentally.

**4. Store idle power tools out of the reach of children and do not allow persons unfamiliar with the power tool or these instructions to operate the power tool.** Power tools are dangerous in the hands of untrained users.

**5. Maintain power tools. Check for misalignment or binding of moving parts, breakage of parts and any other condition that may affect the power tool's operation. If damaged, have the power tool repaired before use.** Many accidents are caused by poorly maintained power tools.

**6. Keep cutting tools sharp and clean.** Properly maintained cutting tools with sharp cutting edges are less likely to bind and are easier to control.

**7. Use the power tool, accessories and tool bits, etc. in accordance with these instructions, taking into account the working conditions and the work to be performed.** Use of the power tool for operations different from those intended could result in a hazardous situation.

**8. Use clamps to secure your workpiece to a stable surface.** Holding a workpiece by hand or using your body to support it may lead to loss of control.

**9. KEEP GUARDS IN PLACE** and in working order.

### SERVICE

**1. Have your power tool serviced by a qualified repair person using only identical replacement parts.** This will ensure that the safety of the power tool is maintained.

### CALIFORNIA PROPOSITION 65 WARNING

Some dust created by power sanding, sawing, grinding, drilling, and other construction activities may contain chemicals, including lead, known to the State of California to cause cancer, birth defects, or other reproductive harm. Wash hands after handling. Some examples of these chemicals are:

- Lead from lead-based paints.
- Crystalline silica from bricks, cement, and other masonry products.
- Arsenic and chromium from chemically treated lumber.

Your risk from these exposures varies depending on how often you do this type of work. To reduce your exposure to these chemicals, work in a well-ventilated area with approved safety equipment such as dust masks specially designed to filter out microscopic particles.


# JIGSAW SAFETY WARNINGS

**⚠ WARNING!** Do not let comfort or familiarity with the product replace strict adherence to product safety rules. Failure to follow the safety instructions may result in serious personal injury.

## JIGSAW SAFETY

- 1. WORK ENVIRONMENT.** Do not operate the tool in wet or damp conditions; doing so significantly increases the risk of electrical shock. Do not operate the tool in the presence of flammable liquids or gases.
- 2. PERSONAL SAFETY.** Always wear ANSI Z87.1-approved glasses, a dust mask and hearing protection when using the saw. Always maintain a firm grip by the insulated gripping surfaces only. Keep handles and hands dry, free from oil or other slippery substances. Slippery surfaces prevent you from safely maintaining control of the tool.
- 3. PREVENTING ELECTRIC SHOCK.** When working with the tool, make sure to keep the blade away from any power cables, extension cords, or wiring. Only hold the tool by insulated gripping surfaces when performing an operation. Cutting a “live” wire may make exposed metal parts of the tool “live” and could give the operator an electric shock.
- 4. TOOL INSPECTION.** Before operation, check the tool for any damage or missing parts. Do not use the tool if any part is missing or damaged. Do not use the tool if the power switch is faulty, the plug or cable is damaged, or the tool produces sparks, smoke, or unpleasant odors (you may smell brushes wearing down for a few minutes as the tool breaks in during the first use, that is normal). Make sure all adjustments are correct and all connections are tight.
- 5. WORKPIECE INSPECTION.** Check the workpiece for any nails, cracks or obstructions before commencing operation. If there are nails, be sure to remove them. If the jig saw blades strike foreign objects like nails it may cause serious personal injury from kickback.
- 6. SECURING THE WORKPIECE.** Use clamps to secure the workpiece whenever possible to prevent wobble, damage to the workpiece, and personal injury. Never hold the work by hand or against the body as it may lead to a loss of control. Small workpieces must be adequately secured so that the reciprocating jig saw blades don't pick them up during the forward motion of the jig saw.
- 7. STANDING POSITION.** Keep your body positioned to either side of the saw blade, but not in line with cutting path. Kickback could cause the saw to jump backwards.
- 8. STARTING THE TOOL.** Always start the jig saw before the blade is in contact with the workpiece. Let the blade reach full speed before using the tool. The jig saw can vibrate, chatter, and possibly kick back if the cutting speed is too slow.
- 9. DURING OPERATION.** Do not apply excessive pressure to the tool. Overstressing the tool may cause kickback and damage the tool and accessories. Never pull the jig saw backwards over the workpiece. Use special care when working corners, sharp edges etc.
- 10. KEEP HANDS AWAY.** Keep your hands away from the cutting area. Never attempt to remove shavings or loose pieces until the blade has completely stopped. Never put your hands under the workpiece. The blades are hidden from view and you may be cut if the blade is contacted.
- 11. CHANGING THE SAW BLADE.** Check the blade for chipped or broken teeth. Only use sharp and straight saw blades. Do not use worn-out or damaged blades. Make sure the blade is securely clamped by the blade holder. If the blade is not properly installed, it may eject from the jig saw unexpectedly during operation and result in personal injury.

## **JIGSAW SAFETY WARNINGS**

 **WARNING!** Do not let comfort or familiarity with the product replace strict adherence to product safety rules. Failure to follow the safety instructions may result in serious personal injury.

### **JIGSAW SAFETY (CONT.)**

12. **MAKING ADJUSTMENTS.** Always turn off and remove the battery from the jigsaw before making adjustments or changing attachments. Accidental start-ups may occur if the jigsaw has power during an accessory change. Do not touch the attachment immediately after operation. Allow time for the attachment to cool and calm down before removing it.

13. **TOOL MAINTENANCE.** Develop a periodic maintenance schedule for your tool. Follow the instructions for lubrication, storage changing accessories. Unplug the saw before making adjustments or changing accessories. Before plugging the tool back in, check that the power switch is OFF.

14. **CLEANING THE TOOL.** When cleaning a tool be careful not to disassemble any portion of the tool. Internal wires may be misplaced or pinched and safety guard return springs may be improperly mounted. Certain cleaning agents such as gasoline, carbon tetrachloride, ammonia, etc. may damage plastic parts.

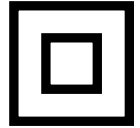
15. **USE COMMON SENSE.** These safety instructions can't possibly warn of every scenario that may arise with this tool, so always make sure to stay alert and use common sense during operation.



## ELECTRICAL INFORMATION (CHARGER)

### DOUBLE-INSULATED CHARGER

The charger's electrical system is double-insulated where two systems of insulation are provided. This eliminates the need for the usual three-wire grounded power cord. Double-insulated tools do not need to be grounded, nor should a means for grounding be added to the product. All exposed metal parts are isolated from the internal metal components with protecting insulation.



**IMPORTANT:** Servicing a double-insulated product requires extreme care and knowledge of the system, and should be done only by qualified service personnel using identical replacement parts. Always use original factory replacement parts when servicing.

**1. Polarized Plugs.** To reduce the risk of electric shock, this equipment has a polarized plug (one blade is wider than the other). This plug will fit in a polarized outlet only one way. If the plug does not fit fully in the outlet, reverse the plug. If it still does not fit, contact a qualified electrician to install a proper outlet. Do not modify the machine plug or the extension cord in any way.

**2. Ground fault circuit interrupter protection (GFCI)** should be provided on the circuit or outlet used for this power tool to reduce the risk of electric shock.

**3. Service and repair.** To avoid danger, electrical appliances must only be repaired by a qualified service technician using original replacement parts.

### GUIDELINES AND RECOMMENDATIONS FOR EXTENSION CORDS

When using an extension cord, be sure to use one heavy enough to carry the current your product will draw. An undersized cord will cause a drop in line voltage, resulting in loss of power and overheating. The table below shows the correct size to be used according to cord length and ampere rating. When in doubt, use a heavier cord. The smaller the gauge number, the heavier the cord.

AMPERAGE	REQUIRED GAUGE FOR EXTENSION CORDS			
	25 ft.	50 ft.	100 ft.	150 ft.
2A	18 gauge	16 gauge	16 gauge	14 gauge

**1. Examine extension cord before use.** Make sure your extension cord is properly wired and in good condition. Always replace a damaged extension cord or have it repaired by a qualified person before using it.

**2. Do not abuse extension cord.** Do not pull on cord to disconnect from receptacle; always disconnect by pulling on plug. Disconnect the extension cord from the receptacle before disconnecting the product from the extension cord. Protect your extension cords from sharp objects, excessive heat and damp/wet areas.

**3. Use a separate electrical circuit for your tool.** This circuit must not be less than a 12-gauge wire and should be protected with a 15A time-delayed fuse. Before connecting the motor to the power line, make sure the switch is in the OFF position and the electric current is rated the same as the current stamped on the motor nameplate. Running at a lower voltage will damage the motor.



## BATTERY & CHARGER SAFETY WARNINGS

Despite all of the safety precautions, caution must always be taken when handling batteries. The following points must be obeyed at all times to ensure safe use. Safe use can only be guaranteed if undamaged cells are used. Incorrect handling of the battery pack can cause cell damage.

- **Avoid dangerous environments** – Do not charge the battery pack in rain, snow or in damp or wet locations. Do not use the battery pack or charger in the presence of explosive atmospheres (gaseous fumes, dust or flammable materials) because sparks may be generated when inserting or removing the battery pack, which could lead to a fire.

- **Charge in a well-ventilated area** – Do not block the charger vents. Keep them clear to allow for proper ventilation. Do not allow smoking or open flames near a charging battery pack. Vented gases may explode.

**NOTE:** The safe temperature range for the battery charging is 41°F to 104°F. Do not charge the battery outside in freezing weather; charge it at room temperature.


- **Maintain charger cord** – When unplugging the charger, pull the plug, not the cord, from the receptacle to reduce the risk of damage to the electrical plug and cord. Never carry the charger by its cord or yank it by the cord to disconnect it from the receptacle. Keep the cord away from heat, oil and sharp edges. Make sure the cord will not be stepped on, tripped over or subjected to damage or stress when the charger is in use. Do not use the charger with a damaged cord or plug. Replace a damaged charger immediately.

- **Do not use an extension cord unless it is absolutely necessary** – Using the wrong, damaged or improperly wired extension cord poses a risk of fire and electric shock. If an extension cord must be used, plug the charger into a properly wired 16 gauge or larger extension cord with the female plug matching the male plug on the charger. Make sure that the extension cord is in good electrical condition.

- **Charger is rated for 120 volt AC only** – The charger must be plugged into an appropriate receptacle.

- **Use only recommended attachments** – Use of an attachment not recommended or sold by WEN Products may result in risk of fire, electric shock or personal injury.

- **Unplug charger when not in use** – Make sure to remove battery packs from unplugged chargers.

 **WARNING!** To reduce the risk of electric shock, always unplug the charger before performing any cleaning or maintenance. Do not allow water to flow into the charger. Use a Ground Fault Circuit Interrupter (GFCI) to reduce shock hazards.

- **Do not burn or incinerate battery packs** – Battery packs may explode, causing personal injury or damage. Toxic fumes and materials are created when battery packs are burned.

- **Do not crush, drop or damage battery packs** – Do not use the battery pack or charger if they have sustained a sharp blow, been dropped, run over or have been damaged in any way (i.e. pierced with a nail, hit with a hammer, stepped on, etc.).

- **Do not disassemble** – Incorrect reassembly may pose a serious risk of electric shock, fire or exposure to toxic battery chemicals. If the battery or charger are damaged, call WEN customer service at **1-800-232-1195** for assistance.

- **Battery chemicals cause serious burns** – Never let a damaged battery pack contact the skin, eyes or mouth. If a damaged battery pack leaks battery chemicals, use rubber or neoprene gloves to safely dispose of it. If skin is exposed to battery fluids, wash the affected area with soap and water and rinse with vinegar. If eyes are exposed to battery chemicals, immediately flush with water for 20 minutes and seek medical attention. Remove and dispose of contaminated clothing.

- **Store your battery pack and charger in a cool, dry place** – Do not store the battery pack or charger where temperatures may exceed 104 °F, such as in direct sunlight or inside a vehicle or metal building during the summer.

- **Do not short circuit** – A battery pack will short circuit if a metal object makes a connection between the positive and negative contacts on the battery pack. Do not place a battery pack near anything that may cause a short circuit, such as paper clips, coins, keys, screws, nails and other metallic objects. A short-circuited battery pack poses a risk of fire and severe personal injury.

# **BATTERY & CHARGER SAFETY WARNINGS**

## **ABOUT THE BATTERY**

1. The battery pack has to be charged completely before you use the tool for the first time.
2. For optimum battery performance, avoid low discharge cycles by charging the battery pack frequently.
3. Lithium-ion batteries are subject to a natural aging process. The battery pack must be replaced at the latest when its capacity falls to just 80% of its capacity when new. Weakened cells in an aged battery pack are no longer capable of meeting the high power requirements needed for the proper operation of your tool, and therefore pose a safety risk.
4. Do not throw battery packs into an open fire as this poses a risk of explosion. Do not ignite the battery pack or expose it to fire.
5. Do not exhaustively discharge batteries. Exhaustive discharge will damage the battery cells. The most common cause of exhaustive discharge is lengthy storage or non-use of partially discharged batteries. Stop working as soon as the performance of the battery falls noticeably or the electronic protection system triggers. Place the battery pack in storage only after it has been fully charged.
6. Protect batteries and the tool from overloads. Overloads will quickly result in overheating and cell damage inside the battery housing even if this overheating is not apparent externally.
7. Avoid damage and shocks. Immediately replace batteries that have been dropped from a height of more than one meter or those that have been exposed to violent shocks, even if the housing of the battery pack appears to be undamaged. The battery cells inside the battery may have suffered serious damage. In such instances, please read the waste disposal information for proper battery disposal.
8. If the battery pack suffers overloading and overheating, the integrated protective cutoff will switch off the equipment for safety reasons.
9. Use only original battery packs. The use of other batteries poses a fire risk and may result in injuries or an explosion.

## **ABOUT THE CHARGER**

Protect battery charger and cord from damage. Keep the charger and its cord away from heat, oil and sharp edges.

Electrical plugs must match the outlet. Never modify the plug in any way. Do not use any adapter plugs with grounded appliances. Unmodified plugs and matching outlets will reduce the risk of electric shock.

Keep the battery charger, battery pack(s), and the cordless tool out of the reach of children.

Do not use the supplied battery charger to charge other cordless tools.

During periods of heavy use, the battery pack will become warm. Allow the battery pack to cool to room temperature before inserting it into the charger to recharge.

Do not overcharge batteries. Do not exceed the maximum charging times. These charging times only apply to discharged batteries. Frequent insertion of a charged or partially charged battery pack will result in overcharging and cell damage. Do not leave battery in the charger for days on end.

Never use or charge a battery if you suspect that it has been more than 12 months since last time they were charged. There is a high probability that the battery pack has already suffered dangerous damage (exhaustive discharge).

Do not use batteries that have been exposed to heat during the charging process, as the battery cells may have suffered dangerous damage.

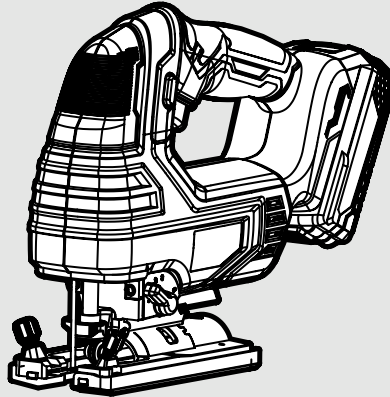
Do not use batteries that have suffered curvature or deformation during the charging process or those that exhibit other atypical symptoms (gassing, hissing, cracking, etc.)

## UNPACKING & PACKING LIST

### UNPACKING

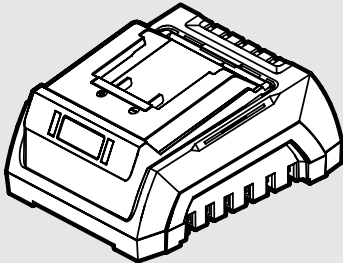
Carefully remove the jigsaw from the packaging and place it on a sturdy, flat surface. Make sure to take out all contents and accessories. Do not discard the packaging until everything is removed. Check the packing list below to make sure you have all of the parts and accessories. If any part is missing or broken, please contact customer service at **1-800-232-1195** (M-F 8-5 CST), or email [techsupport@wenproducts.com](mailto:techsupport@wenproducts.com).

#### Components

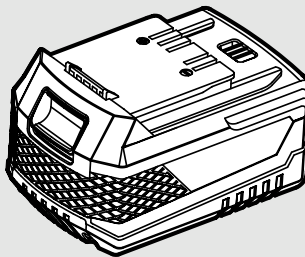


Jigsaw

#### Accessories



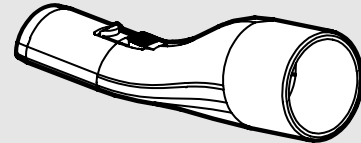
20V Charger (1)\*



20V Battery (1)\*



Straight Fence Guide



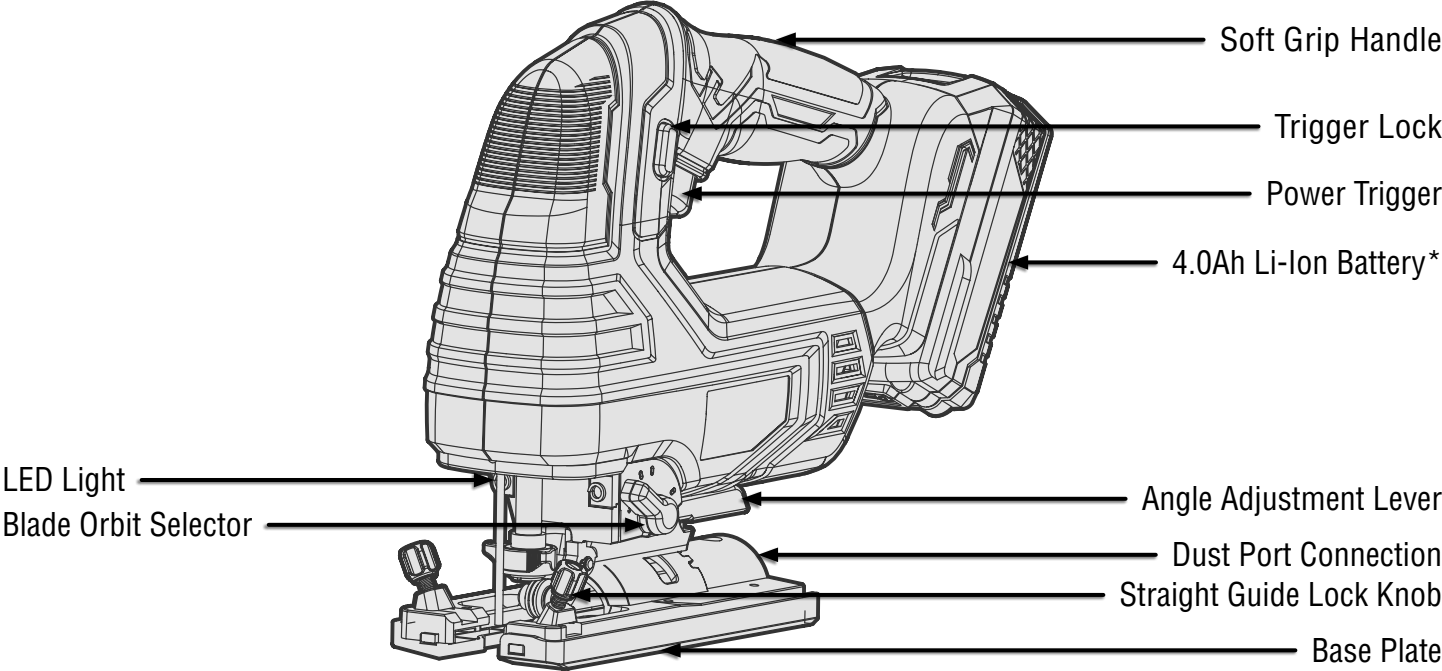
Dust Port

\*Only included with model number 20667.

# KNOW YOUR METAL JIGSAW

## TOOL PURPOSE

Easily cut curves and shapes in wood or metal with your WEN Jigsaw. Refer to the following diagrams to become familiarized with all the parts and controls of your jigsaw. The components will be referred to later in the manual for assembly and operation instructions.



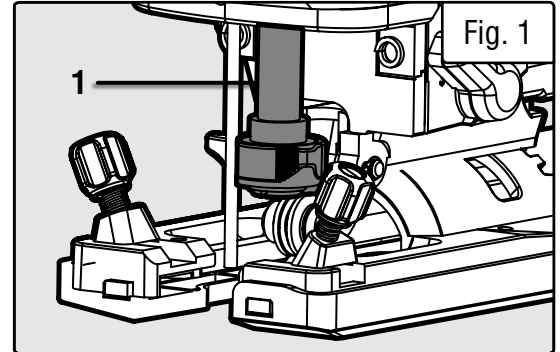
\*Only included with model number 20667.

## ASSEMBLY & ADJUSTMENTS

**⚠ WARNING!** To avoid injury from accidental startups, make sure that the power trigger lock is engaged and the battery is removed from the jigsaw.

### INSTALLING AND REMOVING THE BLADE

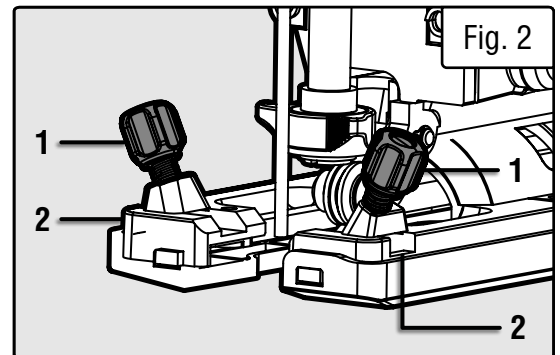
1. Rotate the blade clamp lock (Fig. 1 - 1) counterclockwise to loosen the blade. Hold the lock in the open position.
2. Insert the new blade with teeth facing forward between the blade clamp and the front wire guide.
3. Close the blade clamp lock.



**⚠ WARNING!** Always use sharp blades for the best results. DO NOT use blades that are bent, deformed, or damaged.

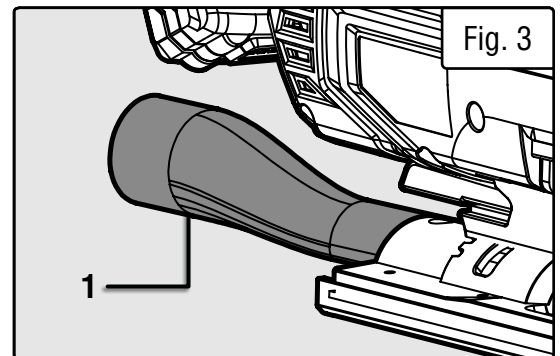
### INSTALLING THE STRAIGHT GUIDE

1. Loosen the two straight guide lock knobs (Fig. 2 - 1).
2. Place the straight guide through the two slots below the lock knobs (Fig. 2 - 2)
3. Adjust the straight guide to your desired width and secure in place by retightening the lock knobs.



### INSTALLING THE DUST PORT

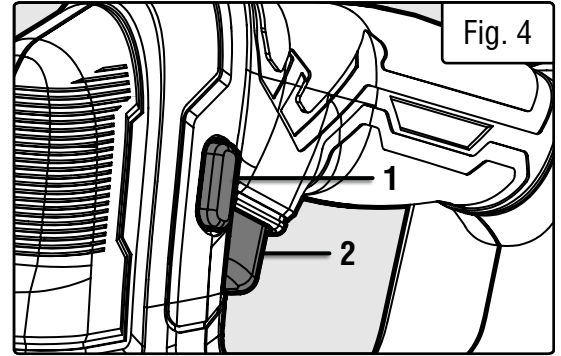
1. Secure the dust port (Fig. 3 - 1) to the back of the saw using the snap-fit locking tab. The dust port is 1.4 in. (35mm) in diameter.



# OPERATION

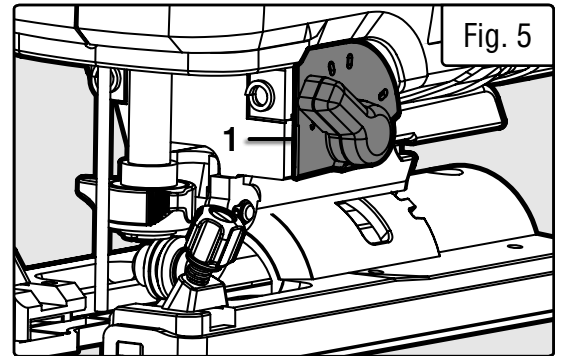
## STARTING THE JIGSAW

1. Push the trigger lock (Fig. 4 - 1) to the left or right to unlock the power trigger. **NOTE:** The jigsaw will not start if the trigger lock is in the center position.
2. Pull the power trigger (Fig. 4 - 2) to start the saw. The LED light on the front of the saw will illuminate.
3. To increase the speed of the saw, apply more pressure to the power trigger. To decrease the speed of the saw, apply less pressure to the power trigger.



## STOPPING THE JIGSAW

1. Release the power trigger. The LED light on the front of the saw will turn off.
2. Return the trigger lock to the middle position to lock the saw.
3. Remove the battery when storing the tool to avoid accidental start ups.



## SETTING THE BLADE ORBIT

Use the blade orbit selector dial (Fig. 5 - 1) to set the correct blade orbit for your operation. Refer to the chart below for setting the blade orbit:

	<p><b>Setting 0</b> - Hard materials such as metals or thin sheet metals. This setting can be used with knife blades, grit edge blades, rasp work, and down cutting blades. This setting can also be used for round cuts.</p>
	<p><b>Setting 1</b> - Soft materials where cleaner cutting or delicate scrolling work is performed.</p>
	<p><b>Setting 2</b> - Medium density materials such as harder woods or particle board.</p>
	<p><b>Setting 3</b> - Soft materials such as wood, plastic, etc. This setting can be used when fast cutting is more important than a clean cut.</p>

## OPERATION

### ADJUSTING THE BEVEL ANGLE

The base plate may be tilted to allow angle cuts up to 45 degrees in either direction.

1. Unlock the angle adjustment lever (Fig. 6 - 1).
2. Adjust the base plate to the desired angle and relock the angle adjustment lever.

### SAWING OPERATION

NOTE: For the best performance, always select a specified blade for the particular application and type of material you wish to cut.

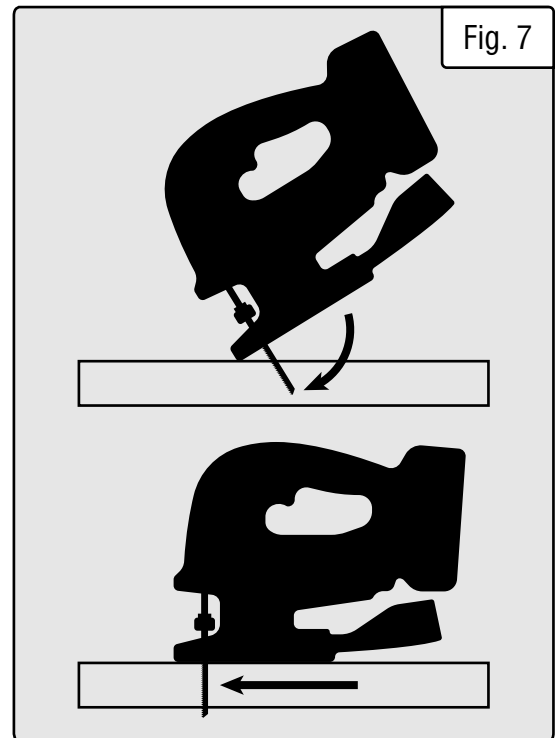
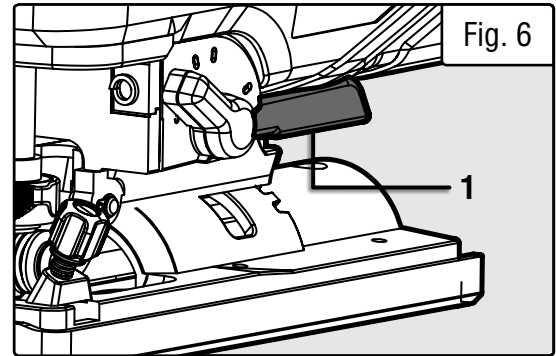
#### A. GENERAL CUTS

1. Place the front of the saw base on the workpiece.
2. Align the cutting edge of the blade with the line of your workpiece.
3. Start the saw and move it forward on the workpiece along the line of cut.

#### A. PLUNGE CUTS (Fig. 7)


1. Mark the line of cut clearly on the workpiece.
2. Set the bevel angle to 0 degrees.
3. Place the front of the saw base on the workpiece.
4. Press the power trigger in for high speed and slowly lower the blade into the workpiece until the blade cuts through the wood.

**⚠ WARNING!** To decrease the risk of injury, keep your hands away from the blade and all moving parts. Always wear safety gloves and safety glasses.





## ***MAINTENANCE***

 **WARNING!** To avoid accidents, make sure the power switch is in the OFF position and unplug the tool from the electrical outlet before cleaning or performing any maintenance. Servicing of the tool must be performed by a qualified technician.

### **ROUTINE INSPECTION**

1. Before each use, inspect the general condition of the tool.

#### **Check for:**

- Loose hardware,
- Misalignment or binding of moving parts,
- Damaged cord/electrical wiring,
- Cracked or broken parts, and
- Any other condition that may affect its safe operation.

2. After every use, wipe the tool with a soft cloth. Do not let water enter the tool.

3. Keep the ventilation openings free from dust and debris to prevent the motor from overheating.

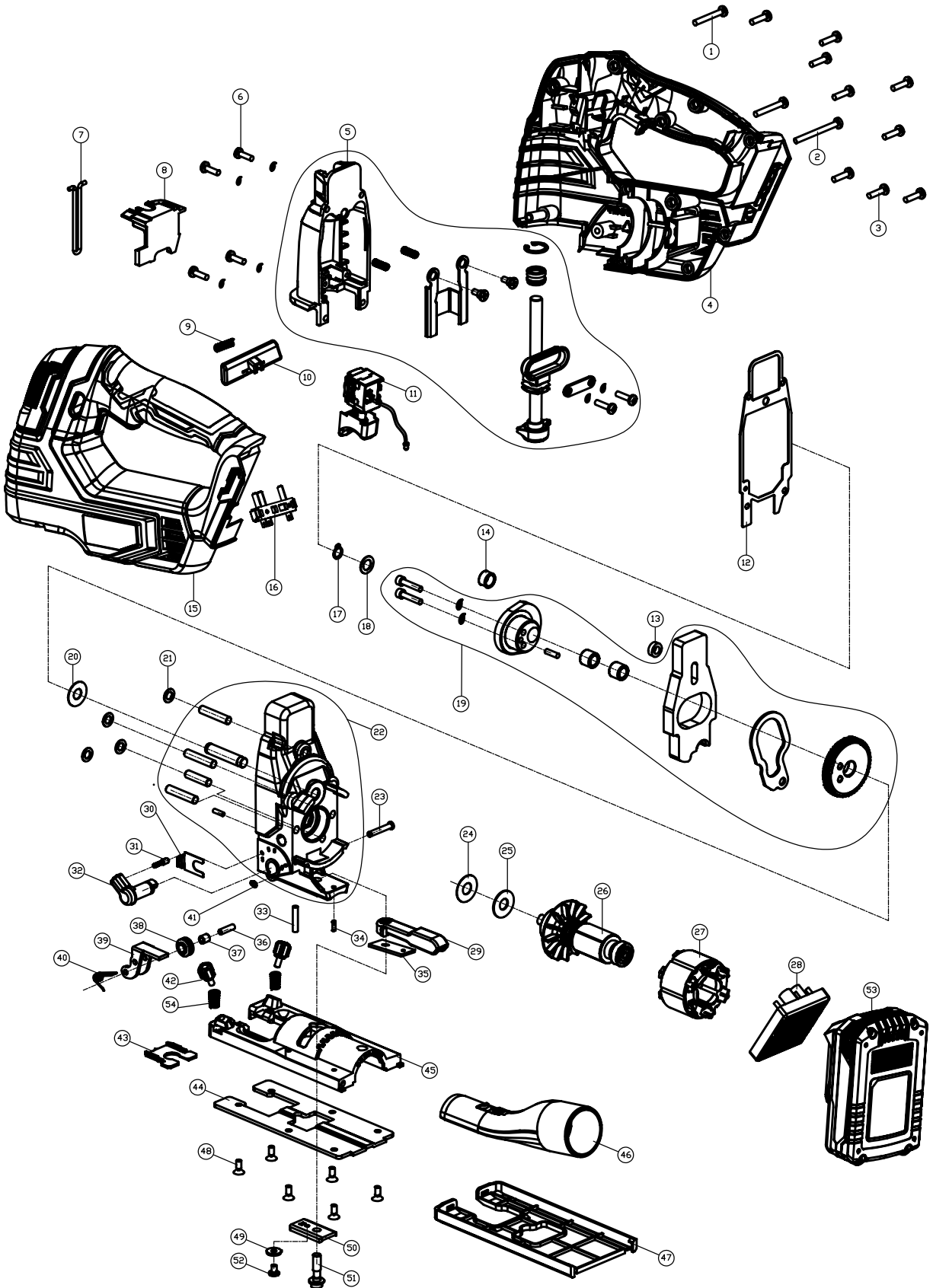
4. Most plastics are susceptible to damage from various types of commercial solvents. Do not use any solvents or cleaning products that could damage the plastic parts. Some of these include but are not limited to: gasoline, carbon tetrachloride, chlorinated cleaning solvents, ammonia and household detergents that contain ammonia.

5. Store the tool in a clean and dry place away from the reach of children.

### **PRODUCT DISPOSAL**

Used power tools should not be disposed of together with household waste. This product contains electronic components that should be recycled. Please take this product to your local recycling facility for responsible disposal and to minimize its environmental impact.

# EXPLODED VIEW & PARTS LIST



**NOTE:** Not all parts may be available for purchase. Parts and accessories that wear down over the course of normal use are not covered under the warranty.

## **EXPLODED VIEW & PARTS LIST**

No.	Part No.	Description	Qty.	No.	Part No.	Description	Qty.
1	20667-001	Cross Head Screw ST4x30	1	27	20667-027	Stator Assembly	1
2	20667-002	Cross Head Screw ST4x45	1	28	20667-028	Control Panel	1
3	20667-003	Cross Head Screw ST4x16	9	29	20667-029	Quick Release Wrench	1
4	20667-004	Left Motor Housing	1	30	20667-030	Steel Plate	1
5	20667-005	Front Aluminum Shell Assembly	1	31	20667-031	Spring Cap Assembly	1
6	20667-006	Screw M4x14	6	32	20667-032	Tool Knob	1
7	20667-007	Protection of Steel Wire	1	33	20667-033	Knife Lift Support Shaft	1
8	20667-008	Front Baffle	1	34	20667-034	Base Positioning Pin	1
9	20667-009	Lock Button Spring	1	35	20667-035	Kerf Plate	1
10	20667-010	Switch Lock Button	1	36	20667-036	Tool Lifting Bracket Wheel Shaft	1
11	20667-011	Switch Assembly	1	37	20667-037	Needle Roller Sleeve	1
12	20667-012	Gasket	1	38	20667-038	Tool Lifting Bracket Wheel	1
13	20667-013	Spacer	1	39	20667-039	Tool Lifting Bracket	1
14	20667-014	Scroll Slider	1	40	20667-040	Tool Reset Spring	1
15	20667-015	Right Housing	1	41	20667-041	Check Ring	1
16	20667-016	Battery Pack Socket	1	42	20667-042	Guide Ruler Spanner	2
17	20667-017	Check Ring	1	43	20667-043	Knife Pressure Plate	1
18	20667-018	Washer 4	1	44	20667-044	Location-Plate	1
19	20667-019	Gear Assembly	1	45	20667-045	Aluminum Base	1
20	20667-020	Washer 3	1	46	20667-046	Dust Collection Tube	1
21	20667-021	Washer 5	4	47	20667-047	Base Guard	1
22	20667-022	Gearbox	1	48	20667-048	Countersunk Screw	6
23	20667-023	Knife Lifting Support Positioning Shaft	1	49	20667-049	Large Washer	1
24	20667-024	Washer 2	1	50	20667-050	Base Press Plate	1
25	20667-025	Oil Pad	1	51	20667-051	Hexagon Head Bolts	1
26	20667-026	Armature Assembly	1	52	20667-052	Screw M4x6	1
				53	20204	Battery Pack	1
				54	20667-054	Anti-Loosening Spring	2

**NOTE:** Not all parts may be available for purchase. Parts and accessories that wear down over the course of normal use are not covered under the warranty.

# **WARRANTY STATEMENT**

WEN Products is committed to building tools that are dependable for years. Our warranties are consistent with this commitment and our dedication to quality.

## **LIMITED WARRANTY OF WEN PRODUCTS FOR HOME USE**

GREAT LAKES TECHNOLOGIES, LLC (“Seller”) warrants to the original purchaser only, that all WEN consumer power tools will be free from defects in material or workmanship during personal use for a period of two (2) years from date of purchase or 500 hours of use; whichever comes first. Ninety days for all WEN products if the tool is used for professional or commercial use. Purchaser has 30 days from the date of purchase to report missing or damaged parts.

SELLER’S SOLE OBLIGATION AND YOUR EXCLUSIVE REMEDY under this Limited Warranty and, to the extent permitted by law, any warranty or condition implied by law, shall be the replacement of parts, without charge, which are defective in material or workmanship and which have not been subjected to misuse, alteration, careless handling, misrepair, abuse, neglect, normal wear and tear, improper maintenance, or other conditions adversely affecting the Product or the component of the Product, whether by accident or intentionally, by persons other than Seller. To make a claim under this Limited Warranty, you must make sure to keep a copy of your proof of purchase that clearly defines the Date of Purchase (month and year) and the Place of Purchase. Place of Purchase must be a direct vendor of Great Lakes Technologies, LLC. Purchasing through third party vendors, including but not limited to garage sales, pawn shops, resale shops, or any other secondhand merchant, voids the warranty included with this product. Contact [techsupport@wenproducts.com](mailto:techsupport@wenproducts.com) or 1-800-232-1195 with the following information to make arrangements: your shipping address, phone number, serial number, required part numbers, and proof of purchase. Damaged or defective parts and products may need to be sent to WEN before the replacements can be shipped out.

Upon the confirmation of a WEN representative, your product may qualify for repairs and service work. When returning a product for warranty service, the shipping charges must be prepaid by the purchaser. The product must be shipped in its original container (or an equivalent), properly packed to withstand the hazards of shipment. The product must be fully insured with a copy of the proof of purchase enclosed. There must also be a description of the problem in order to help our repairs department diagnose and fix the issue. Repairs will be made and the product will be returned and shipped back to the purchaser at no charge for addresses within the contiguous United States.

THIS LIMITED WARRANTY DOES NOT APPLY TO ITEMS THAT WEAR OUT FROM REGULAR USAGE OVER TIME, INCLUDING BELTS, BRUSHES, BLADES, BATTERIES, ETC. ANY IMPLIED WARRANTIES SHALL BE LIMITED IN DURATION TO TWO (2) YEARS FROM DATE OF PURCHASE. SOME STATES IN THE U.S. AND SOME CANADIAN PROVINCES DO NOT ALLOW LIMITATIONS ON HOW LONG AN IMPLIED WARRANTY LASTS, SO THE ABOVE LIMITATION MAY NOT APPLY TO YOU.

IN NO EVENT SHALL SELLER BE LIABLE FOR ANY INCIDENTAL OR CONSEQUENTIAL DAMAGES (INCLUDING BUT NOT LIMITED TO LIABILITY FOR LOSS OF PROFITS) ARISING FROM THE SALE OR USE OF THIS PRODUCT. SOME STATES IN THE U.S. AND SOME CANADIAN PROVINCES DO NOT ALLOW THE EXCLUSION OR LIMITATION OF INCIDENTAL OR CONSEQUENTIAL DAMAGES, SO THE ABOVE LIMITATION OR EXCLUSION MAY NOT APPLY TO YOU.

THIS LIMITED WARRANTY GIVES YOU SPECIFIC LEGAL RIGHTS, AND YOU MAY ALSO HAVE OTHER RIGHTS WHICH VARY FROM STATE TO STATE IN THE U.S., PROVINCE TO PROVINCE IN CANADA AND FROM COUNTRY TO COUNTRY.

THIS LIMITED WARRANTY APPLIES ONLY TO ITEMS SOLD WITHIN THE UNITED STATES OF AMERICA, CANADA AND THE COMMONWEALTH OF PUERTO RICO. FOR WARRANTY COVERAGE WITHIN OTHER COUNTRIES, CONTACT THE WEN CUSTOMER SUPPORT LINE. FOR WARRANTY PARTS OR PRODUCTS REPAIRED UNDER WARRANTY SHIPPING TO ADDRESSES OUTSIDE OF THE CONTIGUOUS UNITED STATES, ADDITIONAL SHIPPING CHARGES MAY APPLY.

**THANKS FOR  
REMEMBERING**

