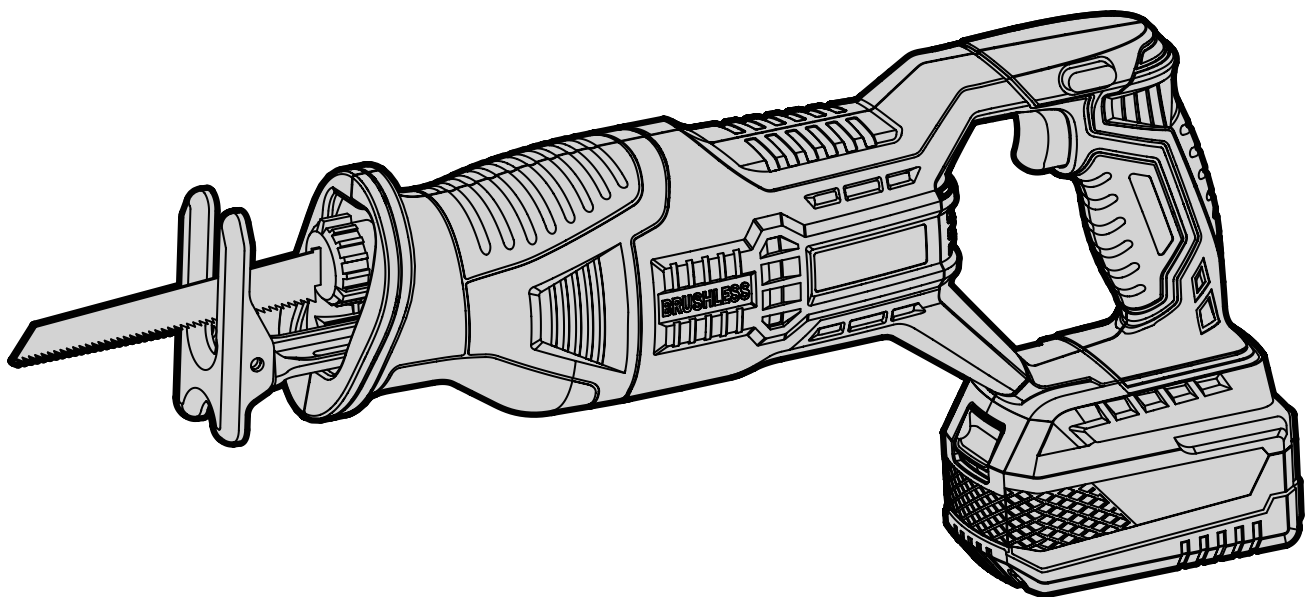




MODEL 20630

20V BRUSHLESS RECIPROCATING SAW

Instruction Manual



NEED HELP? CONTACT US!

Have product questions? Need technical support? Please feel free to contact us:



1-800-232-1195 (M-F 8AM-5PM CST)



TECHSUPPORT@WENPRODUCTS.COM

IMPORTANT: Your new tool has been engineered and manufactured to WEN's highest standards for dependability, ease of operation, and operator safety. When properly cared for, this product will supply you years of rugged, trouble-free performance. Pay close attention to the rules for safe operation, warnings, and cautions. If you use your tool properly and for its intended purpose, you will enjoy years of safe, reliable service.

For replacement parts and the most up-to-date instruction manuals, visit ***WENPRODUCTS.COM***

CONTENTS

WELCOME	3
Introduction	3
Specifications.....	3
SAFETY	4
General Safety Rules	4
Reciprocating Saw Safety Warnings	6
Electrical Information	7
Battery & Charger Safety Warnings	8
BEFORE OPERATING	10
Unpacking & Packing List	10
Know Your Reciprocating Saw	11
Assembly & Adjustments	11
OPERATION & MAINTENANCE	12
Operation	12
Maintenance.....	13
Exploded View & Parts List.....	14
Warranty Statement	16


To purchase accessories and replacement parts for your tool, visit **WENPRODUCTS.COM**

20V 4.0Ah Max Battery (Model 20204)

20V Charger (Model 20200C)

INTRODUCTION

Thanks for purchasing the WEN Reciprocating Saw. We know you are excited to put your tool to work, but first, please take a moment to read through the manual. Safe operation of this tool requires that you read and understand this operator's manual and all the labels affixed to the tool. This manual provides information regarding potential safety concerns, as well as helpful assembly and operating instructions for your tool.

 Indicates danger, warning, or caution. The safety symbols and the explanations with them deserve your careful attention and understanding. Always follow the safety precautions to reduce the risk of fire, electric shock or personal injury. However, please note that these instructions and warnings are not substitutes for proper accident prevention measures.

NOTE: The following safety information is not meant to cover all possible conditions and situations that may occur. WEN reserves the right to change this product and specifications at any time without prior notice.

At WEN, we are continuously improving our products. If you find that your tool does not exactly match this manual, please visit wenproducts.com for the most up-to-date manual or contact our customer service at **1-800-232-1195**.

Keep this manual available to all users during the entire life of the tool and review it frequently to maximize safety for both yourself and others.

SPECIFICATIONS

Model Number	20630
Included Battery	4.0Ah Battery (Model 20204)
Included Charger	20V, 2A DC (Model 20200C)
No Load Speed	0 - 2,800 RPM (Strokes Per Minute)
Stroke Length	1 Inch (25.4mm)
Cutting Capacity	Wood: 4-1/2 Inches (115mm)
	Metal: 3/8 Inch (10mm)
Product Weight	5.1 Pounds (No Battery, No Blade)
Product Dimensions	16 in. x 3-1/2 in. x 5-3/4 in. (No Battery, No Blade)

Battery Models	All WEN 20V MAX Batteries*
Charger Models	All WEN 20V MAX Chargers

***NOTE:** Some tools may not be compatible with WEN 20V MAX 1.5Ah Batteries, model 49120B. Contact WEN customer service at **1-800-232-1195**, M-F with questions.

WEN plans to continue to add more items to our 20V line. For an up-to-date list of the 20V cordless tools compatible with the included battery and charger, visit wenproducts.com and search model number 20202 (2Ah) or 20204 (4Ah). In the battery's description, there will be a list of current products that this battery can be used with.

GENERAL SAFETY RULES

⚠ WARNING! Read all safety warnings and all instructions. Failure to follow the warnings and instructions may result in electric shock, fire and/or serious injury.

Safety is a combination of common sense, staying alert and knowing how your item works. The term “power tool” in the warnings refers to your mains-operated (corded) power tool or battery-operated (cordless) power tool.

SAVE THESE SAFETY INSTRUCTIONS.

WORK AREA SAFETY

- 1. Keep work area clean and well lit.** Cluttered or dark areas invite accidents.
- 2. Do not operate power tools in explosive atmospheres, such as in the presence of flammable liquids, gases or dust.** Power tools create sparks which may ignite the dust or fumes.
- 3. Keep children and bystanders away while operating a power tool.** Distractions can cause you to lose control.

ELECTRICAL SAFETY

- 1. Power tool plugs must match the outlet. Never modify the plug in any way. Do not use any adapter plugs with earthed (grounded) power tools.** Unmodified plugs and matching outlets will reduce risk of electric shock.
- 2. Avoid body contact with earthed or grounded surfaces such as pipes, radiators, ranges and refrigerators.** There is an increased risk of electric shock if your body is earthed or grounded.
- 3. Do not expose power tools to rain or wet conditions.** Water entering a power tool will increase the risk of electric shock.
- 4. Do not abuse the cord. Never use the cord for carrying, pulling or unplugging the power tool. Keep cord away from heat, oil, sharp edges or moving parts.** Damaged or entangled cords increase the risk of electric shock.
- 5. When operating a power tool outdoors, use an extension cord suitable for outdoor use.** Use of a cord suitable for outdoor use reduces the risk of electric shock.

- 6. If operating a power tool in a damp location is unavoidable, use a ground fault circuit interrupter (GFCI) protected supply.** Use of a GFCI reduces the risk of electric shock.

PERSONAL SAFETY

- 1. Stay alert, watch what you are doing and use common sense when operating a power tool. Do not use a power tool while you are tired or under the influence of drugs, alcohol or medication.** A moment of inattention while operating power tools may result in serious personal injury.
- 2. Use personal protective equipment. Always wear eye protection.** Protective equipment such as a respiratory mask, non-skid safety shoes and hearing protection used for appropriate conditions will reduce the risk of personal injury.
- 3. Prevent unintentional starting. Ensure the switch is in the off-position before connecting to power source and/or battery pack, picking up or carrying the tool.** Carrying power tools with your finger on the switch or energizing power tools that have the switch on invites accidents.
- 4. Remove any adjusting key or wrench before turning the power tool on.** A wrench or a key left attached to a rotating part of the power tool may result in personal injury.
- 5. Do not overreach. Keep proper footing and balance at all times.** This enables better control of the power tool in unexpected situations.
- 6. Dress properly. Do not wear loose clothing or jewelry. Keep your hair and clothing away from moving parts.** Loose clothes, jewelry or long hair can be caught in moving parts.

GENERAL SAFETY RULES

⚠ WARNING! Read all safety warnings and all instructions. Failure to follow the warnings and instructions may result in electric shock, fire and/or serious injury.

Safety is a combination of common sense, staying alert and knowing how your item works. The term “power tool” in the warnings refers to your mains-operated (corded) power tool or battery-operated (cordless) power tool.

SAVE THESE SAFETY INSTRUCTIONS.

7. If devices are provided for the connection of dust extraction and collection facilities, ensure these are connected and properly used. Use of dust collection can reduce dust-related hazards.

POWER TOOL USE AND CARE

1. Do not force the power tool. Use the correct power tool for your application. The correct power tool will do the job better and safer at the rate for which it was designed.

2. Do not use the power tool if the switch does not turn it on and off. Any power tool that cannot be controlled with the switch is dangerous and must be repaired.

3. Disconnect the plug from the power source and/or the battery pack from the power tool before making any adjustments, changing accessories, or storing power tools. Such preventive safety measures reduce the risk of starting the power tool accidentally.

4. Store idle power tools out of the reach of children and do not allow persons unfamiliar with the power tool or these instructions to operate the power tool. Power tools are dangerous in the hands of untrained users.

5. Maintain power tools. Check for misalignment or binding of moving parts, breakage of parts and any other condition that may affect the power tool's operation. If damaged, have the power tool repaired before use. Many accidents are caused by poorly maintained power tools.

6. Keep cutting tools sharp and clean. Properly maintained cutting tools with sharp cutting edges are less likely to bind and are easier to control.

7. Use the power tool, accessories and tool bits, etc. in accordance with these instructions, taking into account the working conditions and the work to be performed. Use of the power tool for operations different from those intended could result in a hazardous situation.

8. Use clamps to secure your workpiece to a stable surface. Holding a workpiece by hand or using your body to support it may lead to loss of control.

9. KEEP GUARDS IN PLACE and in working order.

SERVICE

1. Have your power tool serviced by a qualified repair person using only identical replacement parts. This will ensure that the safety of the power tool is maintained.


CALIFORNIA PROPOSITION 65 WARNING

Some dust created by power sanding, sawing, grinding, drilling, and other construction activities may contain chemicals, including lead, known to the State of California to cause cancer, birth defects, or other reproductive harm. Wash hands after handling. Some examples of these chemicals are:

- Lead from lead-based paints.
- Crystalline silica from bricks, cement, and other masonry products.
- Arsenic and chromium from chemically treated lumber.

Your risk from these exposures varies depending on how often you do this type of work. To reduce your exposure to these chemicals, work in a well-ventilated area with approved safety equipment such as dust masks specially designed to filter out microscopic particles.

RECIPROCATING SAW SAFETY WARNINGS

 **WARNING!** Do not operate the power tool until you have read and understood the following instructions and the warning labels.

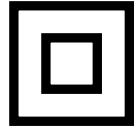
RECIPROCATING SAW SAFETY

1. Wait for the blade to stop before setting the tool down. An exposed blade may engage the surface, leading to possible loss of control and serious injury.
2. Hold the power tool by insulated gripping surfaces. Cutting a “live” wire may make exposed metal parts of the tool “live” and could give the operator an electric shock.
3. Secure the workpiece to a stable platform using clamps or another practical method. Holding the workpiece by hand or against the body leaves it unstable and may lead to a loss of control.
4. Secure the material being cut. Never hold it in your hand or across your legs. Small workpieces must be adequately secured. Unstable support causes the blades to bind, resulting in a loss of control and possible injury.
5. Always start the saw before the blade is in contact with the workpiece. Let the blade reach full speed before using the tool. The saw can vibrate or chatter and possibly kick back if the cutting speed is too slow.
6. Check the workpiece for nails. If there are nails, either remove them or set them well below intended finished surface. If the saw blades strike objects like nails it may cause serious personal injury from kickback. Saw blades that can handle nails are available on the market; just make sure to check the specifications of the blade.
7. Make sure the tool is OFF and the battery is removed before changing accessories. Accidental start-ups may occur during an accessory change. Before reinstalling the battery, check that the ON /OFF switch is OFF.
8. Keep handles and hands dry, clean and free from oil and grease. Slippery surfaces can prevent you from safely maintaining control of the power tool. Always hold the tool firmly with both hands for maximum control.
9. Never cut pressurized tanks or any containers containing hazardous or flammable materials.
10. Never pull the saw backwards over the workpiece.
11. When sawing, the adjustable footplate must always stay flush against the workpiece.
12. Make sure that the tool is OFF and the battery is uninstalled before removing chips. The blades are hidden from view and you may be cut if the blade is contacted.
13. GFCI and personal protection devices such as electrician’s rubber gloves and footwear will increase personal safety.
14. Loose or misaligned blades have the potential to strike tool housing and damage the tool as well as cause possible injury. Make sure blades are properly installed before operation.
15. Develop a periodic maintenance schedule for your tool. When cleaning a tool be careful not to disassemble any portion of the tool. Internal wires may be misplaced or pinched and safety guard return springs may be improperly mounted.
16. Certain cleaning agents such as gasoline, carbon tetrachloride, ammonia, etc. may damage plastic parts.
17. Only use undamaged saw blades. If too much wear and tear is shown on the blade, get a new blade before trying to cut anything.
18. Never stop the saw blade by pinching the blade on either side. Applying pressure to either side of the blade could result in injury. Do not touch the saw blade after operation, as it may be hot, especially when cutting metal.

ELECTRICAL INFORMATION (CHARGER)

DOUBLE-INSULATED CHARGER

The charger's electrical system is double-insulated where two systems of insulation are provided. This eliminates the need for the usual three-wire grounded power cord. Double-insulated tools do not need to be grounded, nor should a means for grounding be added to the product. All exposed metal parts are isolated from the internal metal components with protecting insulation.



IMPORTANT: Servicing a double-insulated product requires extreme care and knowledge of the system, and should be done only by qualified service personnel using identical replacement parts. Always use original factory replacement parts when servicing.

1. Polarized Plugs. To reduce the risk of electric shock, this equipment has a polarized plug (one blade is wider than the other). This plug will fit in a polarized outlet only one way. If the plug does not fit fully in the outlet, reverse the plug. If it still does not fit, contact a qualified electrician to install a proper outlet. Do not modify the machine plug or the extension cord in any way.

2. Ground fault circuit interrupter protection (GFCI) should be provided on the circuit or outlet used for this power tool to reduce the risk of electric shock.

3. Service and repair. To avoid danger, electrical appliances must only be repaired by a qualified service technician using original replacement parts.

GUIDELINES AND RECOMMENDATIONS FOR EXTENSION CORDS

When using an extension cord, be sure to use one heavy enough to carry the current your product will draw. An undersized cord will cause a drop in line voltage, resulting in loss of power and overheating. The table below shows the correct size to be used according to cord length and ampere rating. When in doubt, use a heavier cord. The smaller the gauge number, the heavier the cord.

AMPERAGE	REQUIRED GAUGE FOR EXTENSION CORDS			
	25 ft.	50 ft.	100 ft.	150 ft.
2A	18 gauge	16 gauge	16 gauge	14 gauge

1. Examine extension cord before use. Make sure your extension cord is properly wired and in good condition. Always replace a damaged extension cord or have it repaired by a qualified person before using it.

2. Do not abuse extension cord. Do not pull on cord to disconnect from receptacle; always disconnect by pulling on plug. Disconnect the extension cord from the receptacle before disconnecting the product from the extension cord. Protect your extension cords from sharp objects, excessive heat and damp/wet areas.

3. Use a separate electrical circuit for your tool. This circuit must not be less than a 12-gauge wire and should be protected with a 15A time-delayed fuse. Before connecting the motor to the power line, make sure the switch is in the OFF position and the electric current is rated the same as the current stamped on the motor nameplate. Running at a lower voltage will damage the motor.

BATTERY & CHARGER SAFETY WARNINGS

Despite all of the safety precautions, caution must always be taken when handling batteries. The following points must be obeyed at all times to ensure safe use. Safe use can only be guaranteed if undamaged cells are used. Incorrect handling of the battery pack can cause cell damage.

- **Avoid dangerous environments** – Do not charge the battery pack in rain, snow or in damp or wet locations. Do not use the battery pack or charger in the presence of explosive atmospheres (gaseous fumes, dust or flammable materials) because sparks may be generated when inserting or removing the battery pack, which could lead to a fire.

- **Charge in a well-ventilated area** – Do not block the charger vents. Keep them clear to allow for proper ventilation. Do not allow smoking or open flames near a charging battery pack. Vented gases may explode.

NOTE: The safe temperature range for the battery charging is 41°F to 104°F. Do not charge the battery outside in freezing weather; charge it at room temperature.


- **Maintain charger cord** – When unplugging the charger, pull the plug, not the cord, from the receptacle to reduce the risk of damage to the electrical plug and cord. Never carry the charger by its cord or yank it by the cord to disconnect it from the receptacle. Keep the cord away from heat, oil and sharp edges. Make sure the cord will not be stepped on, tripped over or subjected to damage or stress when the charger is in use. Do not use the charger with a damaged cord or plug. Replace a damaged charger immediately.

- **Do not use an extension cord unless it is absolutely necessary** – Using the wrong, damaged or improperly wired extension cord poses a risk of fire and electric shock. If an extension cord must be used, plug the charger into a properly wired 16 gauge or larger extension cord with the female plug matching the male plug on the charger. Make sure that the extension cord is in good electrical condition.

- **Charger is rated for 120 volt AC only** – The charger must be plugged into an appropriate receptacle.

- **Use only recommended attachments** – Use of an attachment not recommended or sold by WEN Products may result in risk of fire, electric shock or personal injury.

- **Unplug charger when not in use** – Make sure to remove battery packs from unplugged chargers.

 **WARNING!** To reduce the risk of electric shock, always unplug the charger before performing any cleaning or maintenance. Do not allow water to flow into the charger. Use a Ground Fault Circuit Interrupter (GFCI) to reduce shock hazards.

- **Do not burn or incinerate battery packs** – Battery packs may explode, causing personal injury or damage. Toxic fumes and materials are created when battery packs are burned.

- **Do not crush, drop or damage battery packs** – Do not use the battery pack or charger if they have sustained a sharp blow, been dropped, run over or have been damaged in any way (i.e. pierced with a nail, hit with a hammer, stepped on, etc.).

- **Do not disassemble** – Incorrect reassembly may pose a serious risk of electric shock, fire or exposure to toxic battery chemicals. If the battery or charger are damaged, call WEN customer service at **1-800-232-1195** for assistance.

- **Battery chemicals cause serious burns** – Never let a damaged battery pack contact the skin, eyes or mouth. If a damaged battery pack leaks battery chemicals, use rubber or neoprene gloves to safely dispose of it. If skin is exposed to battery fluids, wash the affected area with soap and water and rinse with vinegar. If eyes are exposed to battery chemicals, immediately flush with water for 20 minutes and seek medical attention. Remove and dispose of contaminated clothing.

- **Store your battery pack and charger in a cool, dry place** – Do not store the battery pack or charger where temperatures may exceed 104 °F, such as in direct sunlight or inside a vehicle or metal building during the summer.

- **Do not short circuit** – A battery pack will short circuit if a metal object makes a connection between the positive and negative contacts on the battery pack. Do not place a battery pack near anything that may cause a short circuit, such as paper clips, coins, keys, screws, nails and other metallic objects. A short-circuited battery pack poses a risk of fire and severe personal injury.

BATTERY & CHARGER SAFETY WARNINGS

ABOUT THE BATTERY

1. The battery pack has to be charged completely before you use the tool for the first time.
2. For optimum battery performance, avoid low discharge cycles by charging the battery pack frequently.
3. Lithium-ion batteries are subject to a natural aging process. The battery pack must be replaced at the latest when its capacity falls to just 80% of its capacity when new. Weakened cells in an aged battery pack are no longer capable of meeting the high power requirements needed for the proper operation of your tool, and therefore pose a safety risk.
4. Do not throw battery packs into an open fire as this poses a risk of explosion. Do not ignite the battery pack or expose it to fire.
5. Do not exhaustively discharge batteries. Exhaustive discharge will damage the battery cells. The most common cause of exhaustive discharge is lengthy storage or non-use of partially discharged batteries. Stop working as soon as the performance of the battery falls noticeably or the electronic protection system triggers. Place the battery pack in storage only after it has been fully charged.
6. Protect batteries and the tool from overloads. Overloads will quickly result in overheating and cell damage inside the battery housing even if this overheating is not apparent externally.
7. Avoid damage and shocks. Immediately replace batteries that have been dropped from a height of more than one meter or those that have been exposed to violent shocks, even if the housing of the battery pack appears to be undamaged. The battery cells inside the battery may have suffered serious damage. In such instances, please read the waste disposal information for proper battery disposal.
8. If the battery pack suffers overloading and overheating, the integrated protective cutoff will switch off the equipment for safety reasons.
9. Use only original battery packs. The use of other batteries poses a fire risk and may result in injuries or an explosion.

ABOUT THE CHARGER

Protect battery charger and cord from damage. Keep the charger and its cord away from heat, oil and sharp edges.

Electrical plugs must match the outlet. Never modify the plug in any way. Do not use any adapter plugs with grounded appliances. Unmodified plugs and matching outlets will reduce the risk of electric shock.

Keep the battery charger, battery pack(s), and the cordless tool out of the reach of children.

Do not use the supplied battery charger to charge other cordless tools.

During periods of heavy use, the battery pack will become warm. Allow the battery pack to cool to room temperature before inserting it into the charger to recharge.

Do not overcharge batteries. Do not exceed the maximum charging times. These charging times only apply to discharged batteries. Frequent insertion of a charged or partially charged battery pack will result in overcharging and cell damage. Do not leave battery in the charger for days on end.

Never use or charge a battery if you suspect that it has been more than 12 months since last time they were charged. There is a high probability that battery pack has already suffered dangerous damage (exhaustive discharge).

Do not use battery that have been exposed to heat during the charging process, as the battery cells may have suffered dangerous damage.

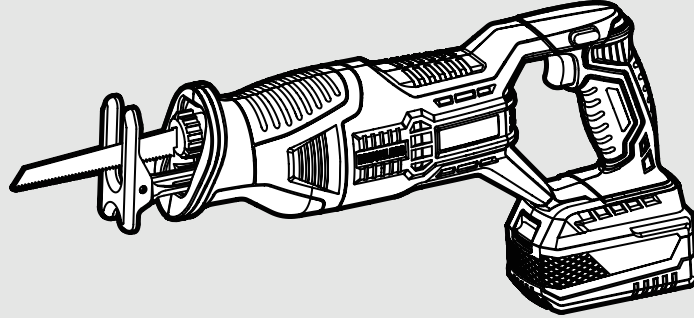
Do not use battery that have suffered curvature or deformation during the charging process or those that exhibit other atypical symptoms (gassing, hissing, cracking, etc.)

UNPACKING & PACKING LIST

UNPACKING

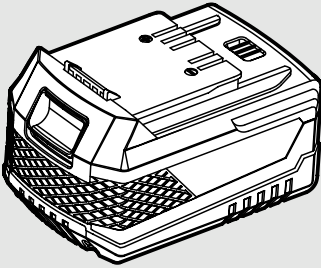
Carefully remove the reciprocating saw from the packaging and place it on a sturdy, flat surface. Make sure to take out all contents and accessories. Do not discard the packaging until everything is removed. Check the packing list below to make sure you have all of the parts and accessories. If any part is missing or broken, please contact customer service at **1-800-232-1195** (M-F 8-5 CST), or email techsupport@wenproducts.com.

Components

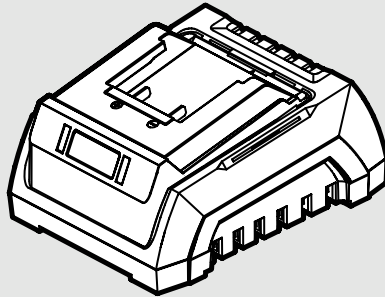


Reciprocating Saw

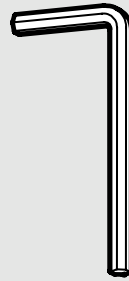
Accessories



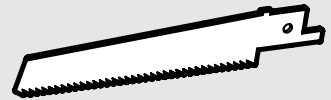
20V Battery (1)



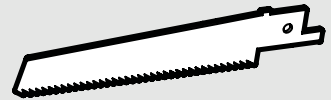
20V Charger (1)



4mm Hex Wrench (1)



Wood Blade (1)

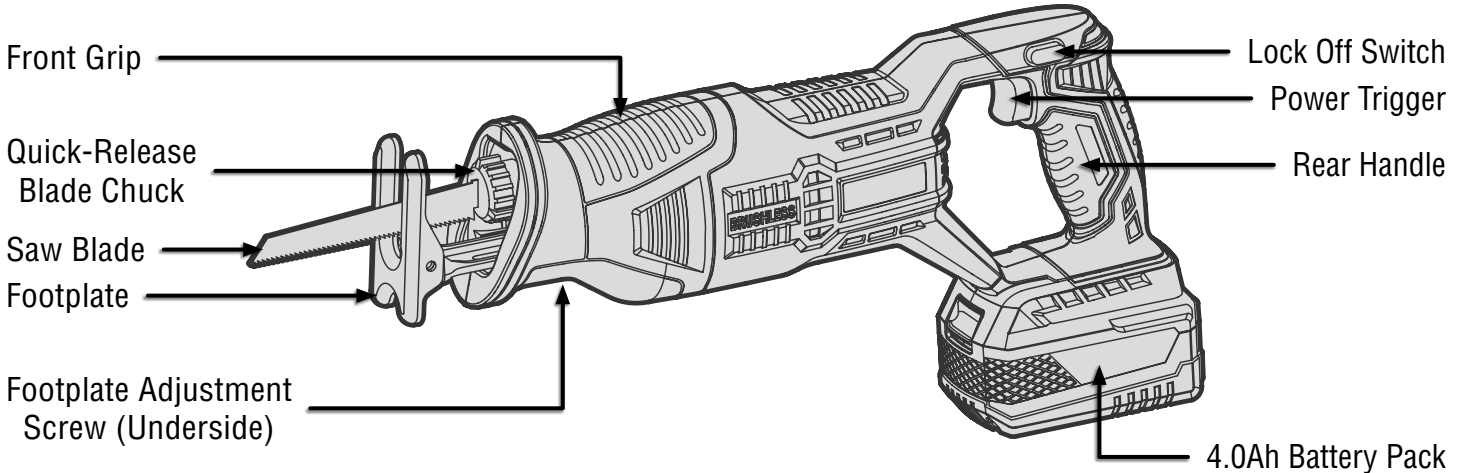


Metal Blade (1)

KNOW YOUR RECIPROCATING SAW

TOOL PURPOSE

Cut through almost anything with your WEN Reciprocating Saw. Refer to the following diagrams to become familiarized with all the parts and controls of your reciprocating saw. The components will be referred to later in the manual for assembly and operation instructions.



ASSEMBLY & ADJUSTMENTS

⚠ WARNING! Never make any adjustments or blade installations while the battery is installed. Make sure that saw blades are free of fine material, such as small slivers of metal or wood. Use protective gloves during operation and assembly.

REPLACING / INSTALLING SAW BLADES

1. Select a saw blade with a 1/2-inch universal shank. If narrow kerf cuts are required, a thinner blade would be preferable. Saw blades should never be longer than is required for the intended cut.

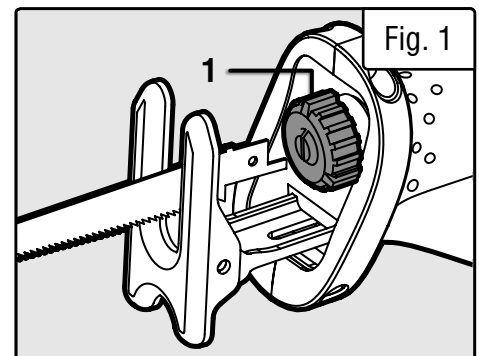
2. Twist the quick release blade chuck (Fig. 1 - 1) counterclockwise to open up the jaws and allow room for sliding in a blade.

3. Place the shank of the blade into the jaws as far as it can go. Release the blade holder, allowing it to snap back in position.

4. Check the blade's security by tugging lightly to confirm that it has locked into position.

5. If you are changing a saw blade, always make sure that it has cooled down completely before attempting to remove it. Friction from various workpiece materials can cause the blades to get very hot directly after operation. To remove, twist the blade chuck and carefully slide the blade out of position.

NOTE: If the blade is hot, just twist the quick release and hold it upside down so the blade falls out without any physical contact.

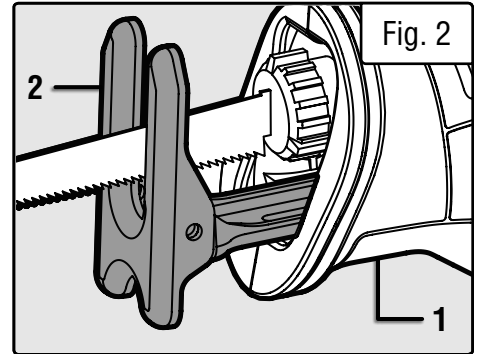


OPERATION

⚠ WARNING! Dusts from certain materials can be harmful to your respiratory health. Always use this tool in an area with good ventilation. Wear a dust mask during operation to prevent inhalation of unwanted particulates. Prevent dust accumulation, as piles of dust and debris can easily ignite and cause a fire.

ADJUSTING THE FOOTPLATE

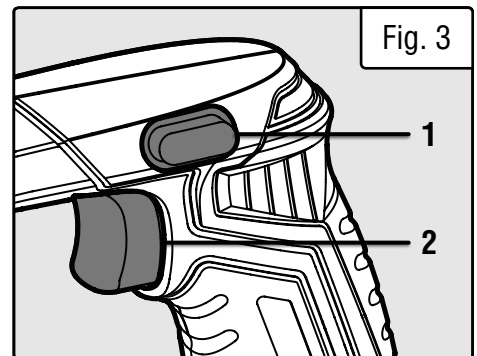
1. Loosen the footplate adjustment screw (Fig. 2 - 1) found on the underbelly of the saw using the included hex wrench.
2. Once the screw is loose, position the footplate (Fig. 2 - 2) to meet the needs of your workpiece.
3. Retighten the footplate adjustment screw, making sure that the footplate is no longer free to move.



STARTING THE MACHINE

To start the machine, first make sure the blade has been properly installed. After checking the blade, install the 4.0 Ah battery.

Push in the lock off switch (Fig. 3 - 1) and pull the power trigger (Fig. 3 - 2) to turn the machine on. The saw will not start without pushing in the lock off switch. Always keep one hand on the back handle and one hand on the front grip during operation.



VARIABLE PRESSURE TRIGGER

Control the saw's speed (strokes per minute) by varying the amount of pressure applied to the trigger. Holding the trigger all the way down will result in 2800 SPM. Lighter pressure on the ON/OFF trigger will result in a lower SPM.

WORK ADVICE

NOTE: When sawing lighter materials, make sure to keep in mind the recommendations of the material suppliers.

Check all workpieces for foreign objects such as nails or screws before sawing. Adjust the footplate to meet the particular needs of the workpiece at hand.

Once all set-up has been completed, power on the machine and guide it towards the workpiece. Place the faceplate against the surface and saw through the material by applying uniform pressure. Do not force the saw to do a job for which it wasn't intended. Make sure to let the saw work at its own pace.

If the saw blade jams up, turn the machine off immediately and let the blade come to a complete stop. Remove the battery pack from the machine. Widen the gap with a suitable tool and release the blade of the saw from its jam.

When sawing metal, always make sure to use a coolant or lubricant to prevent material from heating up too much.

FLUSH CUTS: Using elastic bimetal saw blades, you can cut off items still attached flush at the wall. Place the saw blade directly against the wall and apply lateral pressure until the footplate faces the wall. Turn the machine on and saw through the workpiece.

PLUNGE CUTS: Always use short saw blades for plunge cutting to prevent injury and to maximize efficiency. Put the machine with the edge of the footplate onto the workpiece. Power the machine on to the maximum SPM. Press the blade firmly against the workpiece, allowing the blade to cut at its own pace, plunging itself into the workpiece. As soon as the footplate is able to lay flush against the workpiece, saw along the desired line.

MAINTENANCE

⚠ WARNING! To avoid accidents, turn OFF and remove the battery pack from the charger and the charger from the outlet before cleaning, adjusting, or performing any maintenance work.

⚠ WARNING! Any attempt to repair or replace electrical parts on this tool may be hazardous. Servicing of the tool must be performed by a qualified technician. When servicing, use only identical WEN replacement parts. Use of other parts may be hazardous or induce product failure.

ROUTINE INSPECTION

Before each use, inspect the general condition of the tool. If any of these following conditions exist, do not use until parts are replaced.

Check for:

- Loose hardware,
- Damaged battery pack,
- Cracked or broken parts, and
- Any other condition that may affect its safe operation

CLEANING & STORAGE

1. Keep the ventilation openings free from dust and debris to prevent the motor from overheating.
2. Wipe the tool surfaces clean with a damp cloth and mild soap. Make sure water does not get into the tool.

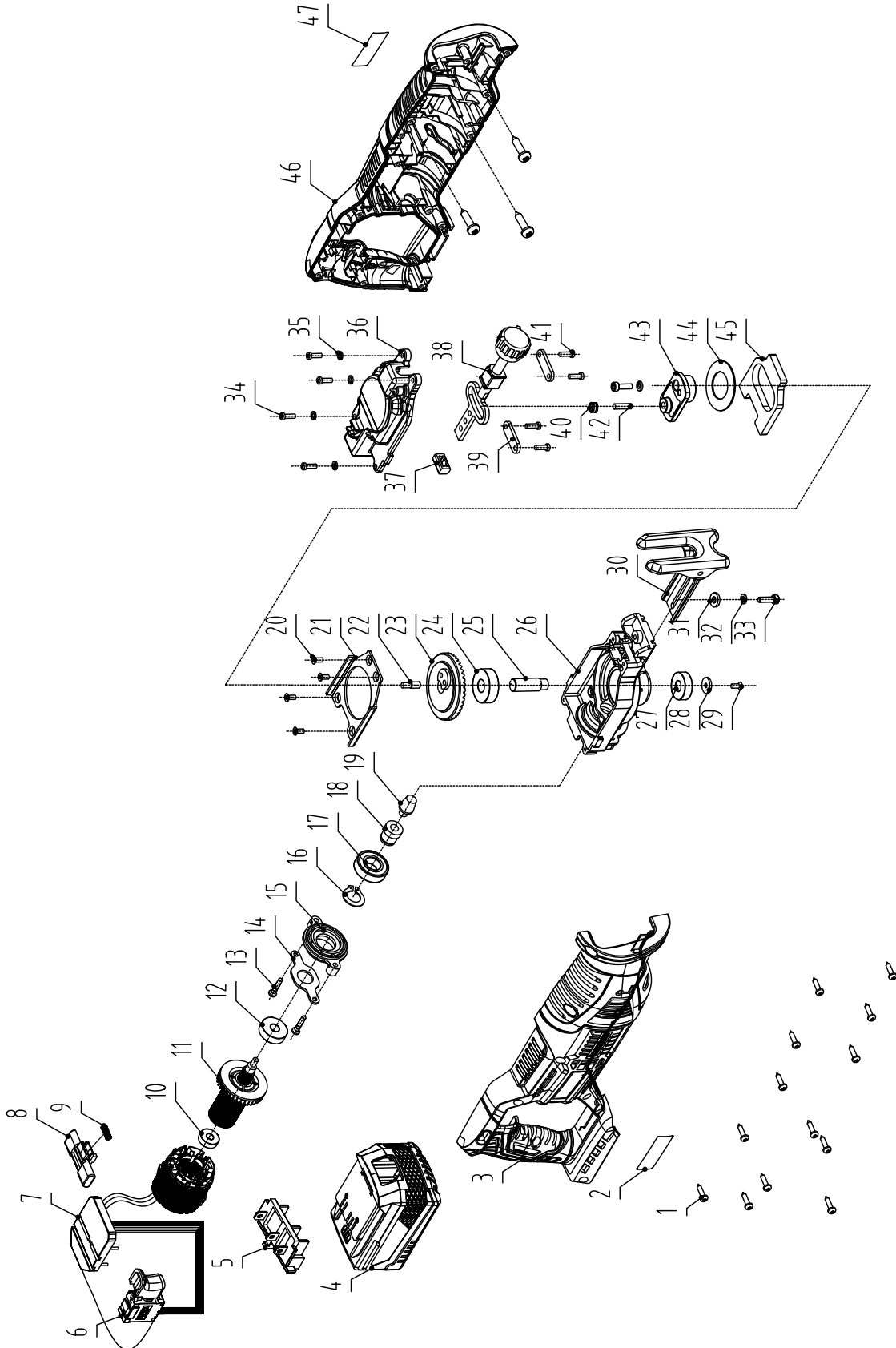
CAUTION: Most plastics are susceptible to damage from various types of commercial solvents. Do not use any solvents or cleaning products that could damage the plastic parts. Some of these include but are not limited to: gasoline, carbon tetrachloride, chlorinated cleaning solvents, and household detergents that contain ammonia.

4. Allow the tool to cool before storing it. Store the tool in a clean and dry place away from the reach of children.

PRODUCT DISPOSAL

Used power tools should not be disposed of together with household waste. This product contains electronic components that should be recycled. Please take this product to your local recycling facility for responsible disposal and to minimize its environmental impact.

EXPLODED VIEW & PARTS LIST



NOTE: Not all parts may be available for purchase. Parts and accessories that wear down over the course of normal use are not covered under the warranty.

EXPLODED VIEW & PARTS LIST

No.	Part No.	Description	Qty.	No.	Part No.	Description	Qty.
1		Self-Tapping Screw, M4x16	16	26		Gearbox	1
2		Label, Right Housing	1	27		Bearing, 6002-2RS	1
3		Label	1	28		Flat Washer, 6mm	1
4	20204	Battery, 4.0Ah	1	29		Screw, M5x15	1
5		Battery Terminal	1	30		Shoe	1
6		Switch	1	31		Flat Washer, 5mm	1
7		PCB & Stator Assembly	1	32		Spring Washer, 5mm	4
8		Safety Switch	1	33		Socket Head Cap Screw, M5x20	2
9		Safety Switch Spring	1	34		Self-Tapping Screw, M4x14	10
10		Bearing, 607ZZ	1	35		Spring Washer, 4mm	6
11		Rotor	1	36		Gearbox Cover	1
12		Bearing, 629RS	1	37		Slip Block	1
13		Screw, M4x20	2	38		Reciprocating Arm and Chuck Assembly	1
14		Bearing Pressure Plate	1	39		Cord Clamp	2
15		Motor Mounting Bracket	1	40		Bushing, 6mm	1
16		Snap Ring, 15mm	1	41		Screw, M4x14	10
17		Bearing, 6002-2RS	1	42		Pin, 6mm	1
18		Spline Gear	1	43		Counterweight	1
19		Pinion	1	44		Counterweight Washer	1
20		Screw, M4x12	4	45		Counterweight Bracket	1
21		Gearbox Gasket	1	46		Left Housing	1
22		Pin, 5mm	1	47		Label, Left Housing	1
23		Gear	1	N.P.	3630-045	Metal-Cutting Blade	1
24		Bearing, 6201-2RS	1	N.P.	3630-046	Wood-Cutting Blade	1
25		Axle	1				

NOTE: Not all parts may be available for purchase. Parts and accessories that wear down over the course of normal use are not covered under the warranty.

WARRANTY STATEMENT

WEN Products is committed to building tools that are dependable for years. Our warranties are consistent with this commitment and our dedication to quality.

LIMITED WARRANTY OF WEN PRODUCTS FOR HOME USE

GREAT LAKES TECHNOLOGIES, LLC (“Seller”) warrants to the original purchaser only, that all WEN consumer power tools will be free from defects in material or workmanship during personal use for a period of two (2) years from date of purchase or 500 hours of use; whichever comes first. Ninety days for all WEN products if the tool is used for professional or commercial use. Purchaser has 30 days from the date of purchase to report missing or damaged parts.

SELLER’S SOLE OBLIGATION AND YOUR EXCLUSIVE REMEDY under this Limited Warranty and, to the extent permitted by law, any warranty or condition implied by law, shall be the replacement of parts, without charge, which are defective in material or workmanship and which have not been subjected to misuse, alteration, careless handling, misrepair, abuse, neglect, normal wear and tear, improper maintenance, or other conditions adversely affecting the Product or the component of the Product, whether by accident or intentionally, by persons other than Seller. To make a claim under this Limited Warranty, you must make sure to keep a copy of your proof of purchase that clearly defines the Date of Purchase (month and year) and the Place of Purchase. Place of Purchase must be a direct vendor of Great Lakes Technologies, LLC. Purchasing through third party vendors, including but not limited to garage sales, pawn shops, resale shops, or any other secondhand merchant, voids the warranty included with this product. Contact techsupport@wenproducts.com or 1-800-232-1195 with the following information to make arrangements: your shipping address, phone number, serial number, required part numbers, and proof of purchase. Damaged or defective parts and products may need to be sent to WEN before the replacements can be shipped out.

Upon the confirmation of a WEN representative, your product may qualify for repairs and service work. When returning a product for warranty service, the shipping charges must be prepaid by the purchaser. The product must be shipped in its original container (or an equivalent), properly packed to withstand the hazards of shipment. The product must be fully insured with a copy of the proof of purchase enclosed. There must also be a description of the problem in order to help our repairs department diagnose and fix the issue. Repairs will be made and the product will be returned and shipped back to the purchaser at no charge for addresses within the contiguous United States.

THIS LIMITED WARRANTY DOES NOT APPLY TO ITEMS THAT WEAR OUT FROM REGULAR USAGE OVER TIME, INCLUDING BELTS, BRUSHES, BLADES, BATTERIES, ETC. ANY IMPLIED WARRANTIES SHALL BE LIMITED IN DURATION TO TWO (2) YEARS FROM DATE OF PURCHASE. SOME STATES IN THE U.S. AND SOME CANADIAN PROVINCES DO NOT ALLOW LIMITATIONS ON HOW LONG AN IMPLIED WARRANTY LASTS, SO THE ABOVE LIMITATION MAY NOT APPLY TO YOU.

IN NO EVENT SHALL SELLER BE LIABLE FOR ANY INCIDENTAL OR CONSEQUENTIAL DAMAGES (INCLUDING BUT NOT LIMITED TO LIABILITY FOR LOSS OF PROFITS) ARISING FROM THE SALE OR USE OF THIS PRODUCT. SOME STATES IN THE U.S. AND SOME CANADIAN PROVINCES DO NOT ALLOW THE EXCLUSION OR LIMITATION OF INCIDENTAL OR CONSEQUENTIAL DAMAGES, SO THE ABOVE LIMITATION OR EXCLUSION MAY NOT APPLY TO YOU.

THIS LIMITED WARRANTY GIVES YOU SPECIFIC LEGAL RIGHTS, AND YOU MAY ALSO HAVE OTHER RIGHTS WHICH VARY FROM STATE TO STATE IN THE U.S., PROVINCE TO PROVINCE IN CANADA AND FROM COUNTRY TO COUNTRY.

THIS LIMITED WARRANTY APPLIES ONLY TO ITEMS SOLD WITHIN THE UNITED STATES OF AMERICA, CANADA AND THE COMMONWEALTH OF PUERTO RICO. FOR WARRANTY COVERAGE WITHIN OTHER COUNTRIES, CONTACT THE WEN CUSTOMER SUPPORT LINE. FOR WARRANTY PARTS OR PRODUCTS REPAIRED UNDER WARRANTY SHIPPING TO ADDRESSES OUTSIDE OF THE CONTIGUOUS UNITED STATES, ADDITIONAL SHIPPING CHARGES MAY APPLY.