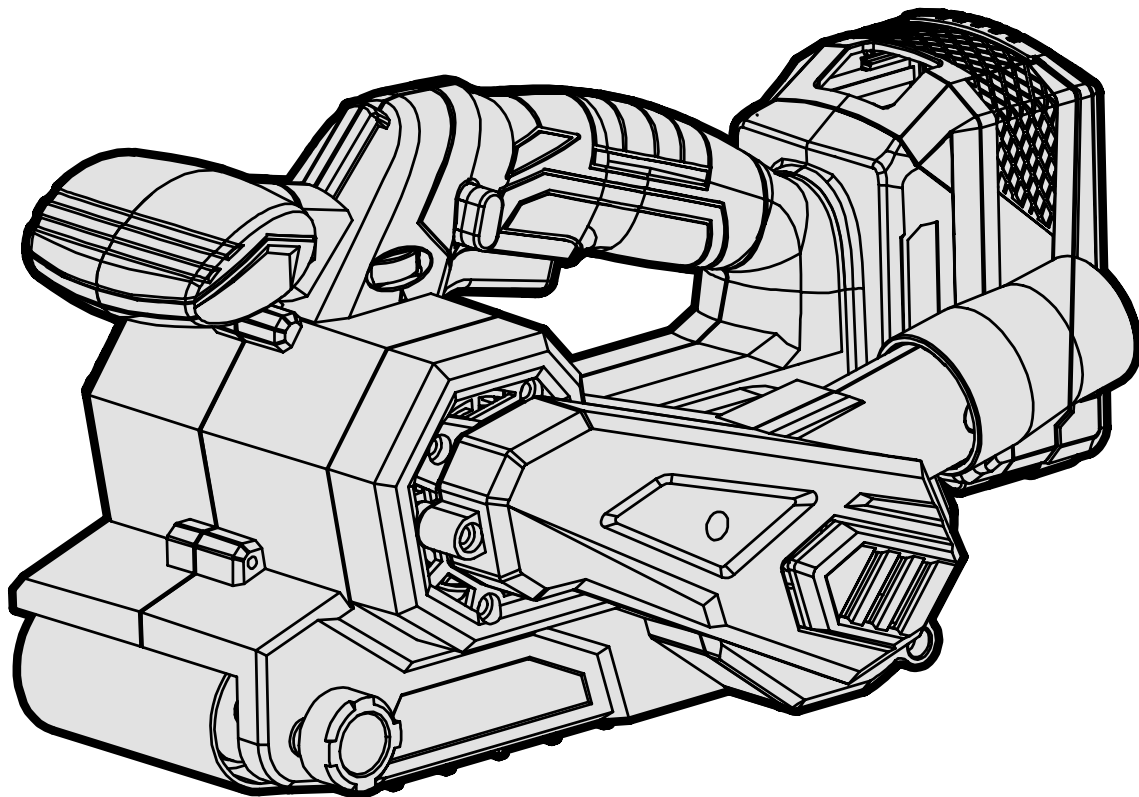




**MODEL 20418, 20418BT**

# **20V CORDLESS 3"x18" BELT SANDER**

**Instruction Manual**



## **NEED HELP? CONTACT US!**

Have product questions? Need technical support? Please feel free to contact us:



**1-800-232-1195 (M-F 8AM-5PM CST)**



**TECHSUPPORT@WENPRODUCTS.COM**

**IMPORTANT:** Your new tool has been engineered and manufactured to WEN's highest standards for dependability, ease of operation, and operator safety. When properly cared for, this product will supply you years of rugged, trouble-free performance. Pay close attention to the rules for safe operation, warnings, and cautions. If you use your tool properly and for its intended purpose, you will enjoy years of safe, reliable service.

For replacement parts and the most up-to-date instruction manuals, visit ***WENPRODUCTS.COM***

# CONTENTS

<b>WELCOME</b>	<b>3</b>
Introduction .....	3
Specifications.....	3
<b>SAFETY</b>	<b>4</b>
General Safety Rules.....	4
Belt Sander Safety Warnings.....	6
Electrical Information.....	8
Battery & Charger Safety Warnings .....	9
<b>BEFORE OPERATING</b>	<b>11</b>
Unpacking & Packing List.....	11
Know Your Belt Sander .....	12
Assembly & Adjustments.....	13
<b>OPERATION &amp; MAINTENANCE</b>	<b>16</b>
Operation .....	16
Maintenance.....	17
Exploded View & Parts List.....	18
Warranty Statement .....	20

To purchase accessories and replacement parts for your tool, visit **WENPRODUCTS.COM**

**20V 2.0Ah Max Battery** (Model 20202)

**20V 4.0Ah Max Battery** (Model 20204)

**20V 5.0Ah Max Battery** (Model 20205)

**20V Quick Charger** (Model 20201Q)


**20V Charger** (Model 20200C)

**Replacement Sanding Belts** (Model 6318SP80, 6318SP120, and 6318SP240)

WEN plans to continue to add more items to our 20V line. For an up-to-date list of the 20V cordless tools compatible with the included battery and charger, visit **wenproducts.com** and search model number 20202 (2Ah), 20204 (4Ah), or 20205 (5Ah). In the battery's description, there will be a list of current products that this battery can be used with.

## INTRODUCTION

Thanks for purchasing the WEN Belt Sander. We know you are excited to put your tool to work, but first, please take a moment to read through the manual. Safe operation of this tool requires that you read and understand this operator's manual and all the labels affixed to the tool. This manual provides information regarding potential safety concerns, as well as helpful assembly and operating instructions for your tool.

 Indicates danger, warning, or caution. The safety symbols and the explanations with them deserve your careful attention and understanding. Always follow the safety precautions to reduce the risk of fire, electric shock or personal injury. However, please note that these instructions and warnings are not substitutes for proper accident prevention measures.

**NOTE:** The following safety information is not meant to cover all possible conditions and situations that may occur. WEN reserves the right to change this product and specifications at any time without prior notice.

At WEN, we are continuously improving our products. If you find that your tool does not exactly match this manual, please visit [wenproducts.com](http://wenproducts.com) for the most up-to-date manual or contact our customer service at **1-800-232-1195**.

**Keep this manual available to all users during the entire life of the tool and review it frequently to maximize safety for both yourself and others.**

## SPECIFICATIONS

Model Number	20418, 20418BT
Included Battery*	4.0Ah Battery (Model 20204)*
Included Charger*	20V, 2A DC (Model 20200C)*
Belt Speed	400 FPM - 1150 FPM
Belt Size	3 in. x 18 in.
Dust Port Outer Diameter	1-3/8 Inches
Dust Port Adapter Diameter	1-1/4 Inches
Product Weight	5.2 Pounds
Product Dimensions	10.8 in. x 5.7 in. x 6.9 in.

Battery Models	All WEN 20V MAX Batteries**
Charger Models	All WEN 20V MAX Chargers

**\*NOTE:** Battery and charger only included with model 20418. Model 20418BT does not include a battery or charger.

**\*\*NOTE:** Some tools may not be compatible with WEN 20V MAX 1.5Ah Batteries, model 49120B. Contact WEN customer service at **1-800-232-1195**, M-F with questions.

# GENERAL SAFETY RULES

 **WARNING!** Read all safety warnings and all instructions. Failure to follow the warnings and instructions may result in electric shock, fire and/or serious injury.

Safety is a combination of common sense, staying alert and knowing how your item works. The term “power tool” in the warnings refers to your mains-operated (corded) power tool or battery-operated (cordless) power tool.

## SAVE THESE SAFETY INSTRUCTIONS.

### WORK AREA SAFETY

- 1. Keep work area clean and well lit.** Cluttered or dark areas invite accidents.
- 2. Do not operate power tools in explosive atmospheres, such as in the presence of flammable liquids, gases or dust.** Power tools create sparks which may ignite the dust or fumes.
- 3. Keep children and bystanders away while operating a power tool.** Distractions can cause you to lose control.

### ELECTRICAL SAFETY

- 1. Power tool plugs must match the outlet. Never modify the plug in any way. Do not use any adapter plugs with earthed (grounded) power tools.** Unmodified plugs and matching outlets will reduce risk of electric shock.
- 2. Avoid body contact with earthed or grounded surfaces such as pipes, radiators, ranges and refrigerators.** There is an increased risk of electric shock if your body is earthed or grounded.
- 3. Do not expose power tools to rain or wet conditions.** Water entering a power tool will increase the risk of electric shock.
- 4. Do not abuse the cord. Never use the cord for carrying, pulling or unplugging the power tool. Keep cord away from heat, oil, sharp edges or moving parts.** Damaged or entangled cords increase the risk of electric shock.
- 5. When operating a power tool outdoors, use an extension cord suitable for outdoor use.** Use of a cord suitable for outdoor use reduces the risk of electric shock.

- 6. If operating a power tool in a damp location is unavoidable, use a ground fault circuit interrupter (GFCI) protected supply.** Use of a GFCI reduces the risk of electric shock.

### PERSONAL SAFETY

- 1. Stay alert, watch what you are doing and use common sense when operating a power tool. Do not use a power tool while you are tired or under the influence of drugs, alcohol or medication.** A moment of inattention while operating power tools may result in serious personal injury.
- 2. Use personal protective equipment. Always wear eye protection.** Protective equipment such as a respiratory mask, non-skid safety shoes and hearing protection used for appropriate conditions will reduce the risk of personal injury.
- 3. Prevent unintentional starting. Ensure the switch is in the off-position before connecting to power source and/or battery pack, picking up or carrying the tool.** Carrying power tools with your finger on the switch or energizing power tools that have the switch on invites accidents.
- 4. Remove any adjusting key or wrench before turning the power tool on.** A wrench or a key left attached to a rotating part of the power tool may result in personal injury.
- 5. Do not overreach. Keep proper footing and balance at all times.** This enables better control of the power tool in unexpected situations.
- 6. Dress properly. Do not wear loose clothing or jewelry. Keep your hair and clothing away from moving parts.** Loose clothes, jewelry or long hair can be caught in moving parts.

# GENERAL SAFETY RULES

 **WARNING!** Read all safety warnings and all instructions. Failure to follow the warnings and instructions may result in electric shock, fire and/or serious injury.

Safety is a combination of common sense, staying alert and knowing how your item works. The term “power tool” in the warnings refers to your mains-operated (corded) power tool or battery-operated (cordless) power tool.

## SAVE THESE SAFETY INSTRUCTIONS.

**7. If devices are provided for the connection of dust extraction and collection facilities, ensure these are connected and properly used.** Use of dust collection can reduce dust-related hazards.

### POWER TOOL USE AND CARE

**1. Do not force the power tool. Use the correct power tool for your application.** The correct power tool will do the job better and safer at the rate for which it was designed.

**2. Do not use the power tool if the switch does not turn it on and off.** Any power tool that cannot be controlled with the switch is dangerous and must be repaired.

**3. Disconnect the plug from the power source and/or the battery pack from the power tool before making any adjustments, changing accessories, or storing power tools.** Such preventive safety measures reduce the risk of starting the power tool accidentally.

**4. Store idle power tools out of the reach of children and do not allow persons unfamiliar with the power tool or these instructions to operate the power tool.** Power tools are dangerous in the hands of untrained users.

**5. Maintain power tools. Check for misalignment or binding of moving parts, breakage of parts and any other condition that may affect the power tool's operation. If damaged, have the power tool repaired before use.** Many accidents are caused by poorly maintained power tools.

**6. Keep cutting tools sharp and clean.** Properly maintained cutting tools with sharp cutting edges are less likely to bind and are easier to control.

**7. Use the power tool, accessories and tool bits, etc. in accordance with these instructions, taking into account the working conditions and the work to be performed.** Use of the power tool for operations different from those intended could result in a hazardous situation.

**8. Use clamps to secure your workpiece to a stable surface.** Holding a workpiece by hand or using your body to support it may lead to loss of control.

**9. KEEP GUARDS IN PLACE** and in working order.

### SERVICE

**1. Have your power tool serviced by a qualified repair person using only identical replacement parts.** This will ensure that the safety of the power tool is maintained.


### CALIFORNIA PROPOSITION 65 WARNING


Some dust created by power sanding, sawing, grinding, drilling, and other construction activities may contain chemicals, including lead, known to the State of California to cause cancer, birth defects, or other reproductive harm. Wash hands after handling. Some examples of these chemicals are:


- Lead from lead-based paints.
- Crystalline silica from bricks, cement, and other masonry products.
- Arsenic and chromium from chemically treated lumber.

Your risk from these exposures varies depending on how often you do this type of work. To reduce your exposure to these chemicals, work in a well-ventilated area with approved safety equipment such as dust masks specially designed to filter out microscopic particles.

## BELT SANDER SAFETY WARNINGS

 **WARNING!** Do not operate the power tool until you have read and understood the following instructions and the warning labels.


 **WARNING!** EXTREME CAUTION REQUIRED WHEN SANDING PAINT. The dust residue may contain LEAD, which is poisonous. Exposure to even low levels of lead can cause irreversible brain and nervous system damage, to which young and unborn children are particularly vulnerable. Any pre-1960s building may have paint containing lead on wood or metal surfaces that has since been covered with additional layers of paint. Lead-based paints should only be removed by a professional and should not be removed using a sander. If you suspect that paint on surfaces contains lead, please seek professional advice.

 **WARNING!** USE A FACE MASK AND DUST COLLECTION. Some wood and wood type products, such as MDF (Medium Density Fiberboard), can produce dust that can be hazardous to your health. We recommend the use of a dust extraction system and an approved face mask with replaceable filters when using this machine.

### BELT SANDER SAFETY

- 1. Two-Hand Operation.** This machine requires the use of two hands to ensure safe operation.
- 2. Maintaining a Stable Stance.** Ensure proper balance when using the tool. Do not stand on ladders and step ladders during operation. If the machine is to be used on a higher and otherwise unreachable surface, a suitable and stable platform or scaffold tower with hand rails and kick boards should be used.
- 3. Preparing the Workpiece.** Check the workpiece for any protruding nails, screw heads or anything else that could tear or damage the belt.
- 4. Securing the Workpiece.** Never hold the workpiece in your hand or across your legs. Secure small workpieces to prevent the rotating belt from picking them up during forward motion. An unstable or improperly-secured workpiece could cause the belt to bind, resulting in a loss of control and possible injury.
- 5. Holding the Sander.** Keep handles and hands dry, clean and free from oil and grease. Only hold the power tool by the insulated gripping surfaces in case the belt contacts a cord. Cutting a “live” wire may make exposed metal parts of the tool “live” and could give the operator an electric shock.
- 7. Sand on Dry Surfaces Only.** This machine is to be used for dry sanding only. Do not attempt to use for wet sanding operations, as fatal electric shock may occur.
- 8. Starting the Sander.** Always start the sander before the sanding belt is in contact with the workpiece. Let the sander reach full speed before using the tool. Do not start the machine while it is in contact with the workpiece.
- 9. Sanding the Workpiece. CAUTION!** When the machine contacts the workpiece it will have a tendency to grab and pull forward. Resist the forward motion and keep the belt sander moving at an even pace. Never pull the tool backwards over the workpiece. Sand in the direction of the grain whenever possible. Remove the sanding dust between each grade of sanding sheet. Never leave the machine unattended while it is still running.
- 10. Setting Down the Sander.** Wait for the belt to stop before setting the tool down. An exposed, rotating belt may engage the surface, leading to possible loss of control and serious injury. Always lay the sander on its side to prevent accidents if the machine is inadvertently started.
- 11. Unplug Your Sander.** Ensure that the sander is turned off and the battery is removed before servicing, lubricating, making adjustments, changing accessories, or replacing sanding belts. Accidental start-ups may occur during an accessory change if the battery is connected. Before reconnecting the battery, check that the machine is OFF.

## **BELT SANDER SAFETY WARNINGS**

 **WARNING!** Do not operate the power tool until you have read and understood the following instructions and the warning labels.

**12. Replacing the Sanding Belt.** Replace the sanding belt as soon as it becomes worn or torn. Torn sanding belts can cause deep scratches that are difficult to remove. Ensure that the sanding belt is the correct size for the machine. After changing a sanding belt, rotate the belt to make sure it doesn't hit any part of the tool.

**13. Cleaning Your Sander.** Clean and maintain your tool periodically. When cleaning a tool, be careful not to disassemble any portion of the tool. Internal wires may be misplaced or pinched and safety guard return springs may be improperly mounted. Certain cleaning agents such as gasoline, carbon tetrachloride, ammonia, etc. may damage plastic parts.

### **KICKBACK SAFETY**

Kickback is a sudden reaction to a pinched or snagged rotating wheel, backing pad, brush or any other accessory. Pinching or snagging causes rapid stalling of the rotating accessory, which in turn causes the uncontrolled power tool to be forced in the direction opposite of the accessory's rotation at the point of binding.

Kickback is the result of power tool misuse and/or incorrect operating procedures or conditions and can be avoided by taking the proper precautions as given below.

1. Maintain a firm grip on the power tool and position your body and arm to allow you to resist kickback forces. Always use the auxiliary handle, if provided, for maximum control over kickback or torque reaction during start-up. The operator can control torque reactions or kickback forces, if proper precautions are taken.

2. Never place your hand near the rotating accessory. The accessory may kick back over your hand.

3. Do not position your body in the area where the power tool will move if kickback occurs. Kickback will propel the tool in the direction opposite to the wheel's movement at the point of snagging.

4. Use special care when working corners, sharp edges, etc. Avoid bouncing and snagging the accessory. Corners, sharp edges or bouncing have a tendency to snag the rotating accessory and cause loss of control or kickback.

### **VIBRATION SAFETY**

This tool vibrates during use. Repeated or long-term exposure to vibration may cause temporary or permanent physical injury, particularly to the hands, arms and shoulders. To reduce the risk of vibration-related injuries:

1. First, be examined by a doctor and then have regular medical check-ups to ensure medical problems are not being caused or worsened from using this tool. People who are pregnant, have impaired blood circulation to the hand, past hand injuries, nervous system disorders, diabetes, or Raynaud's disease should NOT use this tool.

2. If you feel any symptoms related to vibration (such as tingling, numbness, and white or blue fingers), stop working and seek medical advice as soon as possible.

3. Do not smoke during use. Nicotine reduces the blood supply to the hands and fingers, increasing the risk of vibration-related injury.

4. Wear suitable work gloves to reduce the effects of vibration.

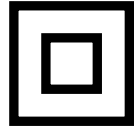
5. Hold the tool firmly enough to keep safe control of it, but NOT too tightly. The risk associated with vibration is increased when the gripping force is high. Let the tool do the work.

6. Take vibration-free breaks during each day of work.

## ELECTRICAL INFORMATION (CHARGER)

### DOUBLE-INSULATED CHARGER

The charger's electrical system is double-insulated where two systems of insulation are provided. This eliminates the need for the usual three-wire grounded power cord. Double-insulated tools do not need to be grounded, nor should a means for grounding be added to the product. All exposed metal parts are isolated from the internal metal components with protecting insulation.



**IMPORTANT:** Servicing a double-insulated product requires extreme care and knowledge of the system, and should be done only by qualified service personnel using identical replacement parts. Always use original factory replacement parts when servicing.

**1. Polarized Plugs.** To reduce the risk of electric shock, this equipment has a polarized plug (one blade is wider than the other). This plug will fit in a polarized outlet only one way. If the plug does not fit fully in the outlet, reverse the plug. If it still does not fit, contact a qualified electrician to install a proper outlet. Do not modify the machine plug or the extension cord in any way.

**2. Ground fault circuit interrupter protection (GFCI)** should be provided on the circuit or outlet used for this power tool to reduce the risk of electric shock.

**3. Service and repair.** To avoid danger, electrical appliances must only be repaired by a qualified service technician using original replacement parts.

### GUIDELINES AND RECOMMENDATIONS FOR EXTENSION CORDS

When using an extension cord, be sure to use one heavy enough to carry the current your product will draw. An undersized cord will cause a drop in line voltage, resulting in loss of power and overheating. The table below shows the correct size to be used according to cord length and ampere rating. When in doubt, use a heavier cord. The smaller the gauge number, the heavier the cord.

AMPERAGE	REQUIRED GAUGE FOR EXTENSION CORDS			
	25 ft.	50 ft.	100 ft.	150 ft.
2A	18 gauge	16 gauge	16 gauge	14 gauge

**1. Examine extension cord before use.** Make sure your extension cord is properly wired and in good condition. Always replace a damaged extension cord or have it repaired by a qualified person before using it.

**2. Do not abuse extension cord.** Do not pull on cord to disconnect from receptacle; always disconnect by pulling on plug. Disconnect the extension cord from the receptacle before disconnecting the product from the extension cord. Protect your extension cords from sharp objects, excessive heat and damp/wet areas.

**3. Use a separate electrical circuit for your tool.** This circuit must not be less than a 12-gauge wire and should be protected with a 15A time-delayed fuse. Before connecting the motor to the power line, make sure the switch is in the OFF position and the electric current is rated the same as the current stamped on the motor nameplate. Running at a lower voltage will damage the motor.



## BATTERY & CHARGER SAFETY WARNINGS

Despite all of the safety precautions, caution must always be taken when handling batteries. The following points must be obeyed at all times to ensure safe use. Safe use can only be guaranteed if undamaged cells are used. Incorrect handling of the battery pack can cause cell damage.

- **Avoid dangerous environments** – Do not charge the battery pack in rain, snow or in damp or wet locations. Do not use the battery pack or charger in the presence of explosive atmospheres (gaseous fumes, dust or flammable materials) because sparks may be generated when inserting or removing the battery pack, which could lead to a fire.

- **Charge in a well-ventilated area** – Do not block the charger vents. Keep them clear to allow for proper ventilation. Do not allow smoking or open flames near a charging battery pack. Vented gases may explode.

**NOTE:** The safe temperature range for the battery charging is -4°F to 113°F. Do not charge the battery outside in freezing weather; charge it at room temperature.


- **Maintain charger cord** – When unplugging the charger, pull the plug, not the cord, from the receptacle to reduce the risk of damage to the electrical plug and cord. Never carry the charger by its cord or yank it by the cord to disconnect it from the receptacle. Keep the cord away from heat, oil and sharp edges. Make sure the cord will not be stepped on, tripped over or subjected to damage or stress when the charger is in use. Do not use the charger with a damaged cord or plug. Replace a damaged charger immediately.

- **Do not use an extension cord unless it is absolutely necessary** – Using the wrong, damaged or improperly wired extension cord poses a risk of fire and electric shock. If an extension cord must be used, plug the charger into a properly wired 16 gauge or larger extension cord with the female plug matching the male plug on the charger. Make sure that the extension cord is in good electrical condition.

- **Charger is rated for 120 volt AC only** – The charger must be plugged into an appropriate receptacle.

- **Use only recommended attachments** – Use of an attachment not recommended or sold by WEN Products may result in risk of fire, electric shock or personal injury.

- **Unplug charger when not in use** – Make sure to remove battery packs from unplugged chargers.

 **WARNING!** To reduce the risk of electric shock, always unplug the charger before performing any cleaning or maintenance. Do not allow water to flow into the charger. Use a Ground Fault Circuit Interrupter (GFCI) to reduce shock hazards.

- **Do not burn or incinerate battery packs** – Battery packs may explode, causing personal injury or damage. Toxic fumes and materials are created when battery packs are burned.

- **Do not crush, drop or damage battery packs** – Do not use the battery pack or charger if they have sustained a sharp blow, been dropped, run over or have been damaged in any way (i.e. pierced with a nail, hit with a hammer, stepped on, etc.).

- **Do not disassemble** – Incorrect reassembly may pose a serious risk of electric shock, fire or exposure to toxic battery chemicals. If the battery or charger are damaged, call WEN customer service at **1-800-232-1195** for assistance.

- **Battery chemicals cause serious burns** – Never let a damaged battery pack contact the skin, eyes or mouth. If a damaged battery pack leaks battery chemicals, use rubber or neoprene gloves to safely dispose of it. If skin is exposed to battery fluids, wash the affected area with soap and water and rinse with vinegar. If eyes are exposed to battery chemicals, immediately flush with water for 20 minutes and seek medical attention. Remove and dispose of contaminated clothing.

- **Store your battery pack and charger in a cool, dry place** – Do not store the battery pack or charger where temperatures may exceed 104 °F, such as in direct sunlight or inside a vehicle or metal building during the summer.

- **Do not short circuit** – A battery pack will short circuit if a metal object makes a connection between the positive and negative contacts on the battery pack. Do not place a battery pack near anything that may cause a short circuit, such as paper clips, coins, keys, screws, nails and other metallic objects. A short-circuited battery pack poses a risk of fire and severe personal injury.

# **BATTERY & CHARGER SAFETY WARNINGS**

## **ABOUT THE BATTERY**

1. The battery pack has to be charged completely before you use the tool for the first time.
2. For optimum battery performance, avoid low discharge cycles by charging the battery pack frequently.
3. Lithium-ion batteries are subject to a natural aging process. The battery pack must be replaced at the latest when its capacity falls to just 80% of its capacity when new. Weakened cells in an aged battery pack are no longer capable of meeting the high power requirements needed for the proper operation of your tool, and therefore pose a safety risk.
4. Do not throw battery packs into an open fire as this poses a risk of explosion. Do not ignite the battery pack or expose it to fire.
5. Do not exhaustively discharge batteries. Exhaustive discharge will damage the battery cells. The most common cause of exhaustive discharge is lengthy storage or non-use of partially discharged batteries. Stop working as soon as the performance of the battery falls noticeably or the electronic protection system triggers. Place the battery pack in storage only after it has been fully charged.
6. Protect batteries and the tool from overloads. Overloads will quickly result in overheating and cell damage inside the battery housing even if this overheating is not apparent externally.
7. Avoid damage and shocks. Immediately replace batteries that have been dropped from a height of more than one meter or those that have been exposed to violent shocks, even if the housing of the battery pack appears to be undamaged. The battery cells inside the battery may have suffered serious damage. In such instances, please read the waste disposal information for proper battery disposal.
8. If the battery pack suffers overloading and overheating, the integrated protective cutoff will switch off the equipment for safety reasons.
9. Use only original battery packs. The use of other batteries poses a fire risk and may result in injuries or an explosion.

## **ABOUT THE CHARGER**

Protect battery charger and cord from damage. Keep the charger and its cord away from heat, oil and sharp edges.

Electrical plugs must match the outlet. Never modify the plug in any way. Do not use any adapter plugs with grounded appliances. Unmodified plugs and matching outlets will reduce the risk of electric shock.

Keep the battery charger, battery pack(s), and the cordless tool out of the reach of children.

Do not use the supplied battery charger to charge other cordless tools.

During periods of heavy use, the battery pack will become warm. Allow the battery pack to cool to room temperature before inserting it into the charger to recharge.

Do not overcharge batteries. Do not exceed the maximum charging times. These charging times only apply to discharged batteries. Frequent insertion of a charged or partially charged battery pack will result in overcharging and cell damage. Do not leave battery in the charger for days on end.

Never use or charge a battery if you suspect that it has been more than 12 months since last time they were charged. There is a high probability that battery pack has already suffered dangerous damage (exhaustive discharge).

Do not use battery that have been exposed to heat during the charging process, as the battery cells may have suffered dangerous damage.

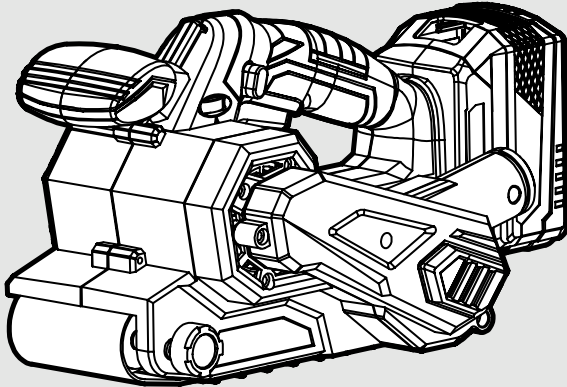
Do not use battery that have suffered curvature or deformation during the charging process or those that exhibit other atypical symptoms (gassing, hissing, cracking, etc.)

# UNPACKING & PACKING LIST

## UNPACKING

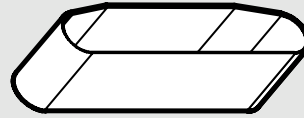
Carefully remove the belt sander from the packaging and place it on a sturdy, flat surface. Make sure to take out all contents and accessories. Do not discard the packaging until everything is removed. Check the packing list below to make sure you have all of the parts and accessories. If any part is missing or broken, please contact customer service at **1-800-232-1195** (M-F 8-5 CST), or email [techsupport@wenproducts.com](mailto:techsupport@wenproducts.com).

### Components

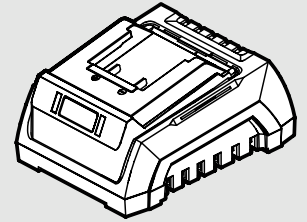


**Belt Sander (1)**

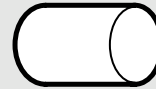
### Accessories



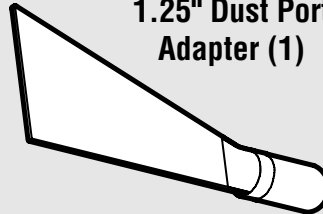
**80-Grit Sanding Belt (1)\***



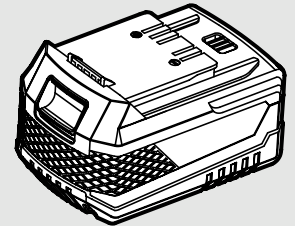
**20V Charger (1)\*\***



**1.25" Dust Port Adapter (1)**



**Dust Bag Assembly (1)**



**20V Battery (1)\*\***

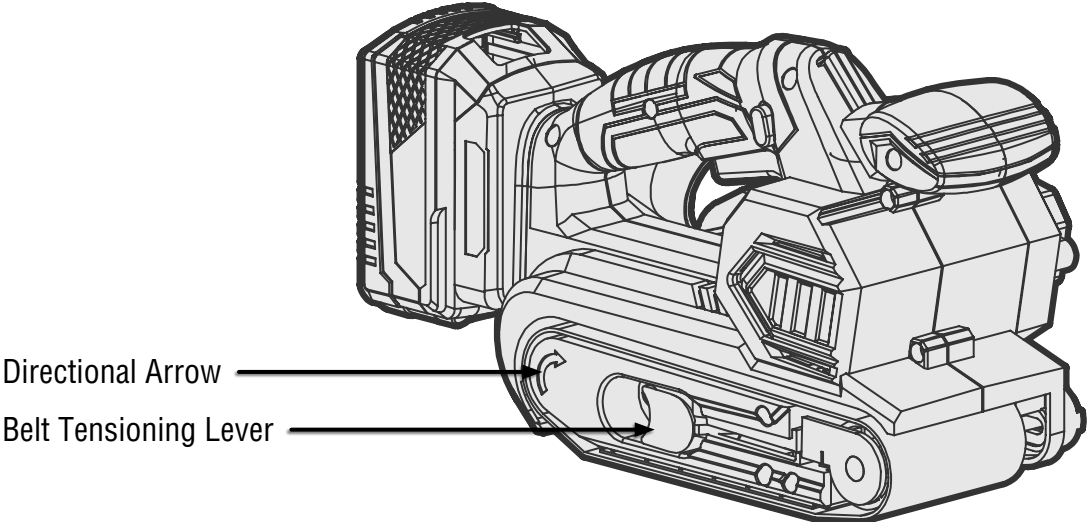
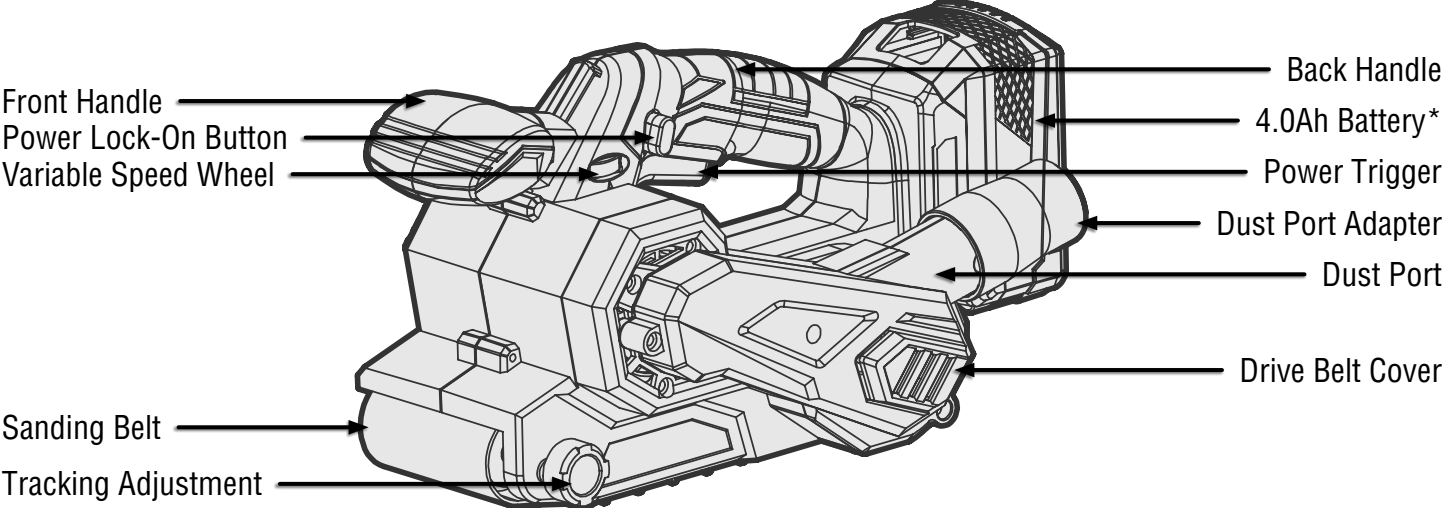
\* The 80-Grit Sanding Belt comes pre-installed on the Belt Sander.

\*\* Battery and charger only included with model 20418. Model 20418BT does not include a battery or charger.

# KNOW YOUR BELT SANDER

## TOOL PURPOSE

Easily shape and finish wood and other materials with your WEN Handheld Belt Sander. Refer to the following diagrams to become familiarized with all the parts and controls of your sander. The components will be referred to later in the manual for assembly and operation instructions.



\* Battery only included with model 20418. Model 20418BT does not include a battery.

# ASSEMBLY & ADJUSTMENTS

## CHOOSING SANDING BELTS

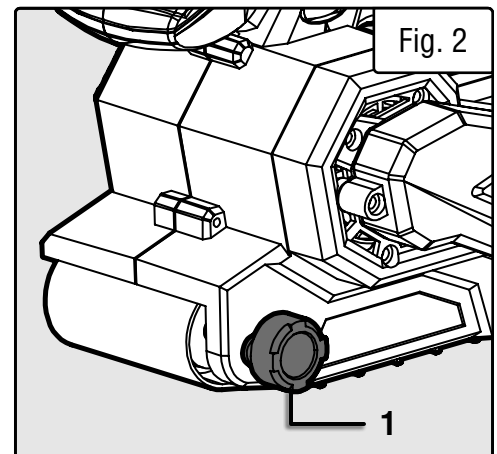
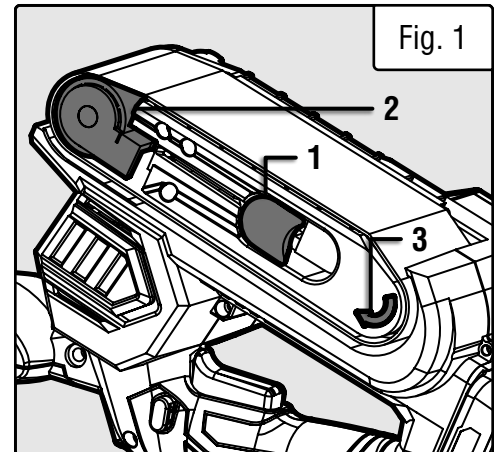
Sanding belts come in different grades from rough to smooth. Select the grade required for the particular job. Refer to the table below for the type and applications of different grades. Your sander comes with one 80-grit sanding belt. Additional sanding belts of various grits can be purchased from [wenproducts.com](http://wenproducts.com).

**NOTE:** Do not use the same sanding belt for wood and metal. Avoid creasing by storing belts in hanging positions.

Material	Grit
Sanding Softwood	60 - 240
Sanding Hardwood	60 - 180
Sanding Chipboard	60 - 150
Removing Paint/Varnish	60
Whetting Paints	150 - 320
De-Rusting Steel	40 - 120
Sanding Plastics	120 - 240
Nonferrous Metals (ie. Aluminum)	80 - 150

## INSTALLING OR REPLACING THE SANDING BELT

1. Turn the sander OFF, remove the battery, and set it on a stable surface.
2. Pull out the belt tension lever (Fig. 1 - 1) to retract the front roller (Fig. 1 - 2) and loosen the belt's tension.
3. Slide the sanding belt off.
4. Mount a new sanding belt on the rollers. Make sure that the arrow on the inside of the belt is pointing the same direction as indicated on the tool (Fig. 1 - 3). Check to make sure that the sanding belt does not touch the sides of the casing before turning on the machine.
5. Carefully push the tension lever (Fig. 1 - 1) back to the original position, making sure that it has fully closed.
6. Check that the new belt runs on the center of the rollers. Do this by starting the belt sander to watch how the sanding belt runs. If it shifts along the rollers towards the left or the right, it will require adjustments.
7. To adjust the sanding belt, use the tracking adjustment knob (Fig. 2 - 1), turning it either clockwise or counterclockwise to adjust the angle of the front roller. Run the sander for a short period of time and adjust the tracking until the sanding belt is running in the center of the roller.



# ASSEMBLY & ADJUSTMENTS

## DUST COLLECTION

The dust produced by sanding can be hazardous to your health. Always wear a dust mask and operate the tool in a well-ventilated area. This sander comes with a dust collection bag. Before operating the sander, make sure to install the dust bag, or connect the tool to a suitable dust extraction system. The dust port's outer diameter is 1-3/8" and the belt sander comes with a 1-1/4" dust port adapter.

**⚠ CAUTION!** When sanding metal, the dust bag or dust extraction system should not be used, as there may be a risk of fire due to flying sparks.

**⚠ WARNING!** Do not allow the workpiece to overheat. This can cause a fire if the wood dust is mixed with other chemicals, paint residues or metal residues. Always empty the dust bag and vacuum used before leaving the work station.

## INSTALLING DUST COLLECTION BAG

1. Fit the fitted end of the dust bag assembly (Fig. 3-2) securely over the dust port (Fig. 3-1).

## REMOVING & EMPTYING THE DUST COLLECTION BAG

1. Turn off and remove the battery from the sander, then pull the dust bag assembly off the dust port. Open the zipper over a garbage can and empty the bag. **NOTE:** Check and empty dust bag often, before it gets full.

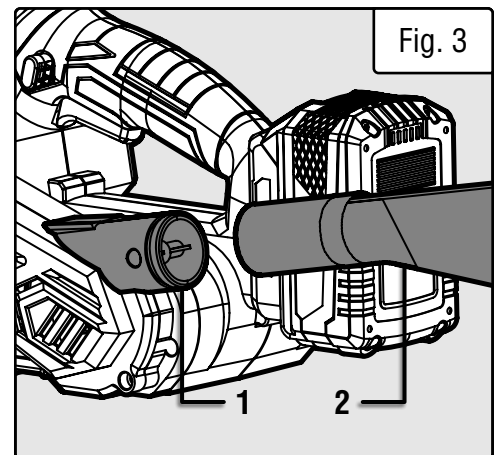
**⚠ CAUTION!** Wear respiratory protection when emptying the bag.

## DUST EXTRACTION SYSTEM


1. With the dust collection bag removed, attach the dust hose of your dust extraction system (not included) to the dust extraction port (Fig. 3 - 2). You may install the included 1-1/4" dust port adapter to adjust the size of the dust port to fit your dust hose.

2. Attach a dust extraction hose onto the dust port or dust port adapter.

3. Connect the other end of the dust extraction hose to the dust extraction system of your choice.



## ASSEMBLY & ADJUSTMENTS

 **WARNING!** To avoid injury from accidental startups, be sure that the tool is switched off and disconnected from the power supply before inspecting the unit, making adjustments, or changing accessories.

### CHARGING THE BATTERY PACK

The 20V battery pack for this tool is supplied in a low charge condition to prevent possible problems, and must be charged completely before you use the tool for the first time.

1. Connect charger to a 120V, 60Hz AC outlet. The green light on the charger will illuminate, indicating that the charger is powered.
2. Slide the battery all the way into the charger until it clicks. The red light on the charger will illuminate, indicating that the battery is charging.

#### Charging Indication:

- Solid Green: Ready to Charge
- Solid Red: Charging
- Solid Green: Charged

3. When the battery is charged, the red light will turn off and the green light will turn on. Remove the battery from the charger and unplug the charger from the power supply.

**NOTE:** Battery will not reach full charge the first time it is charged. Allow several cycles for the battery to fully charge. The battery pack may become warm while charging; this is normal. If the battery is hot after continuous use in the tool, allow it to cool to room temperature before charging. This will prolong the life of your battery.

The battery pack is equipped with three LED battery life indication lights. Press and hold the power button on the rear of the battery to check the battery's charge status.

#### Battery Life Indication:

- Three Lights: The battery is fully charged.
- Two Lights: The battery is about 60% charged.
- One Light: The battery is almost out of power and needs to be charged.

### INSERTING AND REMOVING THE BATTERY

1. To install the battery, slide the battery pack into the battery port at the top of the band saw. Make sure the release latch on the rear side of the battery pack snaps into place and battery is secure before beginning operation.
2. To remove the battery pack, press the battery release latch on the front of the battery and pull the battery pack out.

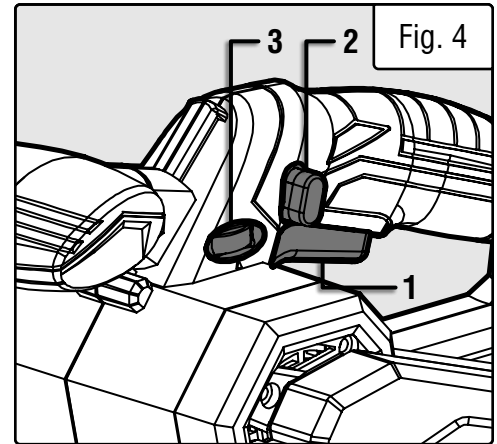
## OPERATION

**⚠ CAUTION!** Never cover the air vents. They must always be open for proper motor cooling. Make sure that the work piece is free of nails and other foreign objects that could tear the abrasive belt.

### OPERATING THE BELT SANDER

1. Hold machine firmly with both hands, one hand on the front handle and one hand on the back handle, and assume a balanced position.
2. Pull the trigger switch (Fig. 4 - 1) and allow the motor to reach full speed. For continuous operation, press in the power lock-on button (Fig. 4 - 2) located on the side of the handle.
3. Hold the machine parallel to the work piece. Gently bring belt into contact with the surface.

**⚠ CAUTION!** The sander may initially lunge forward. Resist the forward motion and keep the belt sander moving at an even pace.



Never exert excessive pressure on the tool. The weight of the tool applies adequate pressure. Excessive pressure prevents proper sanding, leaving an uneven finish and excess wear to both the tool and the abrasive belt.

4. Adjust the belt's speed using the speed dial near the trigger (Fig. 4 - 3).
5. Once finishing your sanding operation, lift the belt sander off the work piece before turning off the switch. Wait until the belt has stopped rotating before setting down the tool on its side.

**⚠ CAUTION!** If the sander makes an unfamiliar sound or vibrates excessively switch it off immediately and disconnect from the power supply. Investigate the cause or consult a service center for advice.

### OPTIMIZING BATTERY RUNTIME

1. The runtime of your battery is highly dependent upon the speed at which you are sanding. To optimize the battery runtime of your sander, operate at the lowest speed setting that is suitable for your application.

## MAINTENANCE

**⚠ WARNING!** To avoid accidents, make sure the power switch is in the OFF position and remove the battery from the tool before cleaning or performing any maintenance. Servicing of the tool must be performed by a qualified technician.

### SERVICE

Preventive maintenance performed by unauthorized personnel may result in misplacing of internal wires and components, possibly causing a serious hazard. Call WEN customer service line at **1-800-232-1195** for product support.

### CLEANING

Ventilation openings and switch levers must be kept clean and free of foreign matter. The tool may be cleaned most effectively with compressed dry air. Do not attempt to clean these components by inserting pointed objects through openings. Certain cleaning agents and solvents damage plastic parts; this includes but is not limited to gasoline, carbon tetrachloride, chlorinated cleaning solvents, ammonia and household detergents that contain ammonia.



# MAINTENANCE

**⚠ WARNING!** To avoid accidents, always remove the battery from the tool before cleaning or performing any maintenance. Always wear safety goggles when cleaning tools with compressed air.

**NOTE:** Follow instructions in section "INSTALLING OR REPLACING THE SANDING BELT" to regularly change the sanding belt, for optimal safety and quality of sanding.

**NOTE:** Follow instructions in section "REMOVING & EMPTYING THE DUST COLLECTION BAG" to regularly empty the contents of the dust bag. Use a dry cloth to clean and make sure ventilation openings are always clear.

## REPLACING THE DRIVE BELT

1. Locate the drive belt cover (Fig. 5 - 1) on the side of the machine.
2. Remove the four screws (Fig. 6 - Circled) with a screwdriver (not included) and take off the drive belt cover to expose the drive belt.
3. Note the position of the belt in relation to the pulleys. Rotate the large drive pulley (Fig. 7 - 1) and at the same time ease the drive belt off the motor pulley (Fig. 7 - 2).
5. Remove the drive belt and place the new drive belt over the large drive pulley. Rotate the drive pulley and at the same time ease the belt onto the motor pulley.

Ensure that the new drive belt is correctly located onto both pulleys. Make sure the drive belt rotates freely by hand and does not bind or try to jump off the pulleys.

4. Replace the drive belt cover and secure with the four screws.

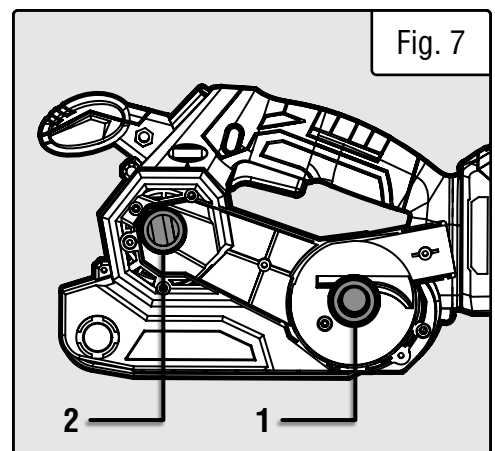
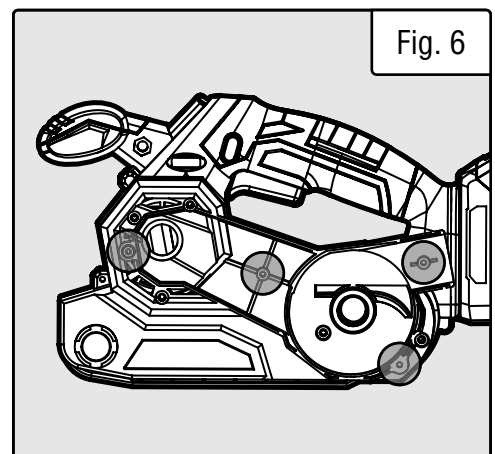
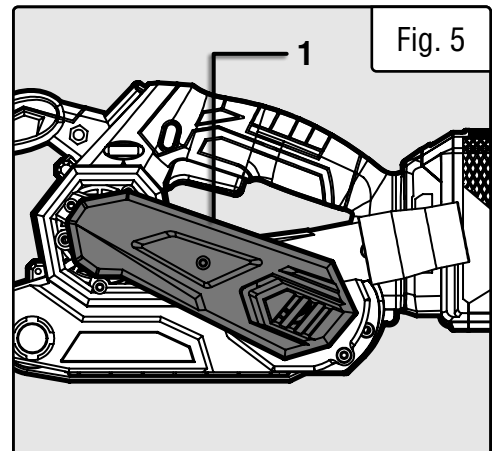
## EMPTYING THE DUST BAG

Although the dust bag has a substantial capacity, it should be emptied frequently. Open the zipper of the dust bag over a garbage can to thoroughly clean the dust bag.

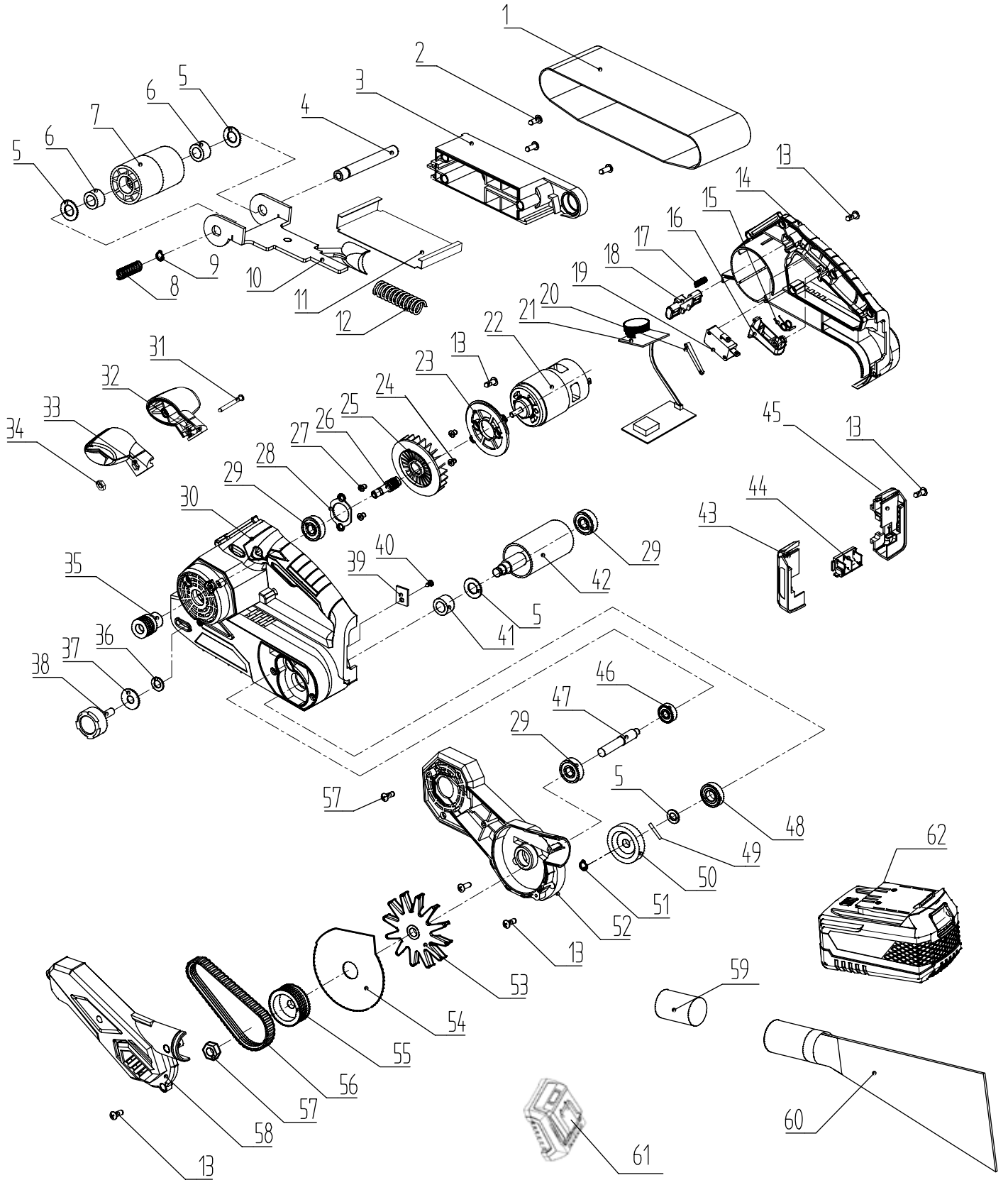
**⚠ CAUTION!** Wear respiratory protection when emptying the bag.

## PRODUCT DISPOSAL

Used power tools should not be disposed of together with household waste. This product contains electronic components that should be recycled. Please take this product to your local recycling facility for responsible disposal and to minimize its environmental impact.



# EXPLODED VIEW & PARTS LIST



**NOTE:** Not all parts may be available for purchase. Parts and accessories that wear down over the course of normal use are not covered under the warranty.

## **EXPLODED VIEW & PARTS LIST**

No.	Part No.	Description	Qty.	No.	Part No.	Description	Qty.
1	20418-001	Sanding Belt	1	33	20418-033	Handle-Left	1
2	20418-002	Screw ST4x20	3	34	20418-034	Hex Nut M5	1
3	20418-003	Belt Clamp Support	1	35	20418-035	V-Pulley	1
4	20418-004	Front Roller Axle	1	36	20418-036	Washer	1
5	20418-005	Flat Washer	4	37	20418-037	Flat Washer	1
6	20418-006	Bearing	2	38	20418-038	Tracking Adjustment Knob	1
7	20418-007	Front Roller	1	39	20418-039	Ceramic Tablets	2
8	20418-008	Tracking Spring	1	40	20418-040	Screw ST3.5x8	2
9	20418-009	Elastic Bezel	1	41	20418-041	Copper Sleeve	1
10	20418-010	Yoke Assembly	1	42	20418-042	Powered Rear Roller	1
11	20418-011	Blade Clamp Sheath	1	43	20418-043	Battery Left Connector	1
12	20418-012	Tension Spring	1	44	20418-044	Battery Terminal	1
13	20418-013	Screw ST4x14	15	45	20418-045	Battery Right Connector	1
14	20418-014	Right House	1	46	20418-046	Bearing 606	1
15	20418-015	Trigger Spring	1	47	20418-047	Power Shaft	1
16	20418-016	Trigger	1	48	20418-048	Bearing 6900	1
17	20418-017	Power Lock Spring	1	49	20418-049	Pin	1
18	20418-018	Power Lock Switch	1	50	20418-050	Gear	1
19	20418-019	Power Switch	1	51	20418-051	Elastic Bezel	1
20	20418-020	Power Switch Bracket	1	52	20418-052	Belt Bracket	1
21	20418-021	Speed Controller	1	53	20418-053	Dust Fan	1
22	20418-022	Motor	1	54	20418-054	Dust-Proof Cover	1
23	20418-023	Baffle	1	55	20418-055	V-Pulley	1
24	20418-024	Screw ST3.5x8	4	56	20418-056	Belt	1
25	20418-025	Fan	1	57	20418-057	Lock Nut	1
26	20418-026	Transmission Shaft	1	58	20418-058	Belt Cover	1
27	20418-027	Screw ST4x10	2	59	20418-059	Dust Port Adapter 1-1/4-Inch	1
28	20418-028	Bearing Bracket	1	60	20418-060	Dust Bag Assembly	1
29	20418-029	Bearing 608	3	61	20200C	Charger	1
30	20418-030	Left Housing	1	62	20204	Battery	1
31	20418-031	Screw M5x25	1				
32	20418-032	Handle-Right	1				

**NOTE:** Not all parts may be available for purchase. Parts and accessories that wear down over the course of normal use are not covered under the warranty.

# **WARRANTY STATEMENT**

WEN Products is committed to building tools that are dependable for years. Our warranties are consistent with this commitment and our dedication to quality.

## **LIMITED WARRANTY OF WEN PRODUCTS FOR HOME USE**

GREAT LAKES TECHNOLOGIES, LLC (“Seller”) warrants to the original purchaser only, that all WEN consumer power tools will be free from defects in material or workmanship during personal use for a period of two (2) years from date of purchase or 500 hours of use; whichever comes first. Ninety days for all WEN products if the tool is used for professional or commercial use. Purchaser has 30 days from the date of purchase to report missing or damaged parts.

SELLER’S SOLE OBLIGATION AND YOUR EXCLUSIVE REMEDY under this Limited Warranty and, to the extent permitted by law, any warranty or condition implied by law, shall be the replacement of parts, without charge, which are defective in material or workmanship and which have not been subjected to misuse, alteration, careless handling, misrepair, abuse, neglect, normal wear and tear, improper maintenance, or other conditions adversely affecting the Product or the component of the Product, whether by accident or intentionally, by persons other than Seller. To make a claim under this Limited Warranty, you must make sure to keep a copy of your proof of purchase that clearly defines the Date of Purchase (month and year) and the Place of Purchase. Place of Purchase must be a direct vendor of Great Lakes Technologies, LLC. Purchasing through third party vendors, including but not limited to garage sales, pawn shops, resale shops, or any other secondhand merchant, voids the warranty included with this product. Contact [techsupport@wenproducts.com](mailto:techsupport@wenproducts.com) or 1-800-232-1195 with the following information to make arrangements: your shipping address, phone number, serial number, required part numbers, and proof of purchase. Damaged or defective parts and products may need to be sent to WEN before the replacements can be shipped out.

Upon the confirmation of a WEN representative, your product may qualify for repairs and service work. When returning a product for warranty service, the shipping charges must be prepaid by the purchaser. The product must be shipped in its original container (or an equivalent), properly packed to withstand the hazards of shipment. The product must be fully insured with a copy of the proof of purchase enclosed. There must also be a description of the problem in order to help our repairs department diagnose and fix the issue. Repairs will be made and the product will be returned and shipped back to the purchaser at no charge for addresses within the contiguous United States.

THIS LIMITED WARRANTY DOES NOT APPLY TO ITEMS THAT WEAR OUT FROM REGULAR USAGE OVER TIME, INCLUDING BELTS, BRUSHES, BLADES, BATTERIES, ETC. ANY IMPLIED WARRANTIES SHALL BE LIMITED IN DURATION TO TWO (2) YEARS FROM DATE OF PURCHASE. SOME STATES IN THE U.S. AND SOME CANADIAN PROVINCES DO NOT ALLOW LIMITATIONS ON HOW LONG AN IMPLIED WARRANTY LASTS, SO THE ABOVE LIMITATION MAY NOT APPLY TO YOU.

IN NO EVENT SHALL SELLER BE LIABLE FOR ANY INCIDENTAL OR CONSEQUENTIAL DAMAGES (INCLUDING BUT NOT LIMITED TO LIABILITY FOR LOSS OF PROFITS) ARISING FROM THE SALE OR USE OF THIS PRODUCT. SOME STATES IN THE U.S. AND SOME CANADIAN PROVINCES DO NOT ALLOW THE EXCLUSION OR LIMITATION OF INCIDENTAL OR CONSEQUENTIAL DAMAGES, SO THE ABOVE LIMITATION OR EXCLUSION MAY NOT APPLY TO YOU.

THIS LIMITED WARRANTY GIVES YOU SPECIFIC LEGAL RIGHTS, AND YOU MAY ALSO HAVE OTHER RIGHTS WHICH VARY FROM STATE TO STATE IN THE U.S., PROVINCE TO PROVINCE IN CANADA AND FROM COUNTRY TO COUNTRY.

THIS LIMITED WARRANTY APPLIES ONLY TO ITEMS SOLD WITHIN THE UNITED STATES OF AMERICA, CANADA AND THE COMMONWEALTH OF PUERTO RICO. FOR WARRANTY COVERAGE WITHIN OTHER COUNTRIES, CONTACT THE WEN CUSTOMER SUPPORT LINE. FOR WARRANTY PARTS OR PRODUCTS REPAIRED UNDER WARRANTY SHIPPING TO ADDRESSES OUTSIDE OF THE CONTIGUOUS UNITED STATES, ADDITIONAL SHIPPING CHARGES MAY APPLY.