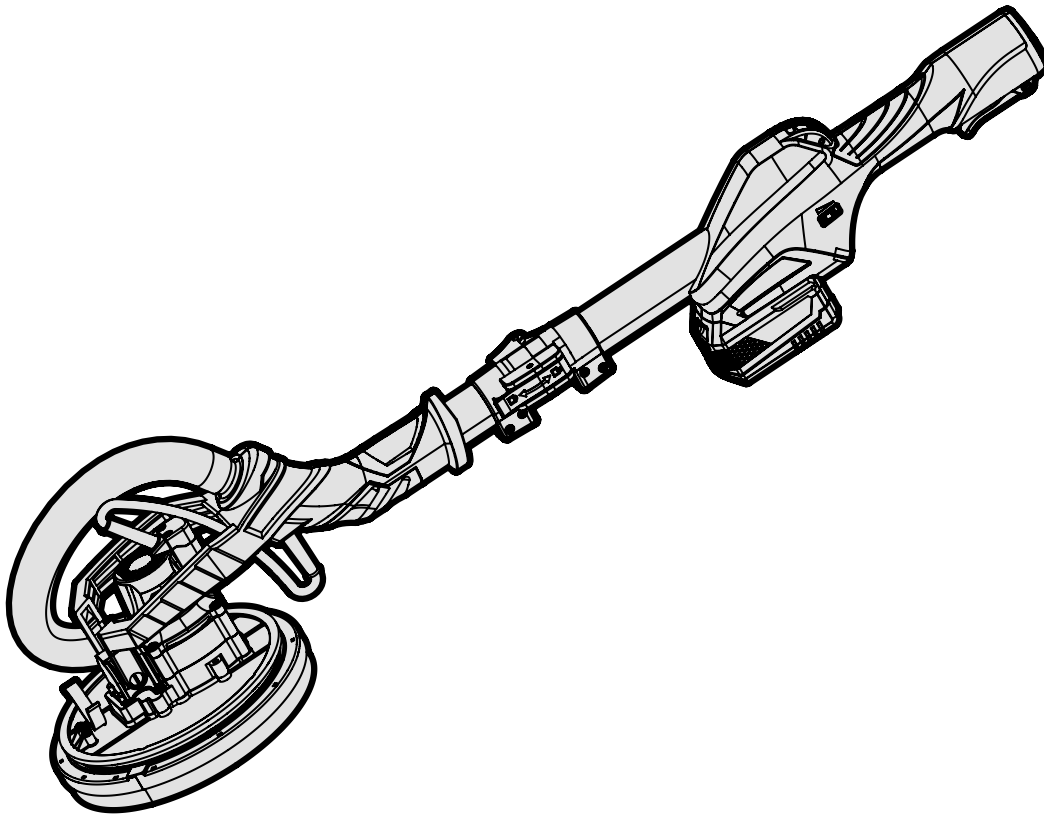




MODEL 20409, 20409BT

20V MAX BRUSHLESS DRYWALL SANDER

Instruction Manual



NEED HELP? CONTACT US!

Have product questions? Need technical support? Please feel free to contact us:



1-847-429-9263 (M-F 8AM-5PM CST)



TECHSUPPORT@WENPRODUCTS.COM

IMPORTANT: Your new tool has been engineered and manufactured to WEN's highest standards for dependability, ease of operation, and operator safety. When properly cared for, this product will supply you years of rugged, trouble-free performance. Pay close attention to the rules for safe operation, warnings, and cautions. If you use your tool properly and for its intended purpose, you will enjoy years of safe, reliable service.

For replacement parts and the most up-to-date instruction manuals, visit ***WENPRODUCTS.COM***

CONTENTS

WELCOME	3
Introduction	3
Specifications.....	3
SAFETY	4
General Safety Rules.....	4
Drywall Sander Safety Warnings.....	6
Electrical Information (Charger).....	8
Battery & Charger Safety Warnings	9
BEFORE OPERATING	11
Unpacking & Packing List.....	11
Know Your Drywall Sander	12
Assembly & Adjustments.....	13
OPERATION & MAINTENANCE	15
Operation	15
Maintenance.....	16
Exploded View & Parts List.....	17
Warranty Statement.....	20

To purchase accessories and replacement parts for your tool, visit **WENPRODUCTS.COM**

20V 2.0Ah Max Battery (Model 20202)

20V 4.0Ah Max Battery (Model 20204)

20V 5.0Ah Max Battery (Model 20205)


20V 2A Charger (Model 20200C)

20V 5A Quick Charger (Model 20201Q)

WEN plans to continue to add more items to our 20V line. For an up-to-date list of the 20V cordless tools compatible with the included battery and charger, visit **wenproducts.com** and search model number 20202 (2Ah), 20204 (4Ah), or 20205 (5Ah). In the battery's description, there will be a list of current products that this battery can be used with.

INTRODUCTION

Thanks for purchasing the WEN Drywall Sander. We know you are excited to put your tool to work, but first, please take a moment to read through the manual. Safe operation of this tool requires that you read and understand this operator's manual and all the labels affixed to the tool. This manual provides information regarding potential safety concerns, as well as helpful assembly and operating instructions for your tool.

 Indicates danger, warning, or caution. The safety symbols and the explanations with them deserve your careful attention and understanding. Always follow the safety precautions to reduce the risk of fire, electric shock or personal injury. However, please note that these instructions and warnings are not substitutes for proper accident prevention measures.

NOTE: The following safety information is not meant to cover all possible conditions and situations that may occur. WEN reserves the right to change this product and specifications at any time without prior notice.

At WEN, we are continuously improving our products. If you find that your tool does not exactly match this manual, please visit wenproducts.com for the most up-to-date manual or contact our customer service at **1-847-429-9263**.

Keep this manual available to all users during the entire life of the tool and review it frequently to maximize safety for both yourself and others.

SPECIFICATIONS

Model Number	20409, 20409BT
Included Battery*	5.0Ah Battery (Model 20205)*
Included Charger*	20V, 2A DC (Model 20200C)*
No Load Speed	600 - 1200 RPM
Hook & Loop Base Diameter	8.5 Inches
Shortened Length	43.3 Inches
Extended Length	51.2 - 63 Inches
Sanding Pad Diameter	9 Inches
Included Sandpaper Grits	60, 80, 120, 150, 180, and 240 Grit
Dust Port Size	1.25 Inches
Product Weight	7.5 Pounds

Battery Models	All WEN 20V MAX Batteries**
Charger Models	All WEN 20V MAX Chargers

***NOTE:** Battery and charger only included with model 20409. Model 20409BT does not include a battery or charger.

****NOTE:** Some tools may not be compatible with WEN 20V MAX 1.5Ah Batteries, model 49120B. Contact WEN customer service at **1-847-429-9263**, M-F with questions.

GENERAL SAFETY RULES

 **WARNING!** Read all safety warnings and all instructions. Failure to follow the warnings and instructions may result in electric shock, fire and/or serious injury.

Safety is a combination of common sense, staying alert and knowing how your item works. The term “power tool” in the warnings refers to your mains-operated (corded) power tool or battery-operated (cordless) power tool.

SAVE THESE SAFETY INSTRUCTIONS.

WORK AREA SAFETY

- 1. Keep work area clean and well lit.** Cluttered or dark areas invite accidents.
- 2. Do not operate power tools in explosive atmospheres, such as in the presence of flammable liquids, gases or dust.** Power tools create sparks which may ignite the dust or fumes.
- 3. Keep children and bystanders away while operating a power tool.** Distractions can cause you to lose control.

ELECTRICAL SAFETY

- 1. Power tool plugs must match the outlet. Never modify the plug in any way. Do not use any adapter plugs with earthed (grounded) power tools.** Unmodified plugs and matching outlets will reduce risk of electric shock.
- 2. Avoid body contact with earthed or grounded surfaces such as pipes, radiators, ranges and refrigerators.** There is an increased risk of electric shock if your body is earthed or grounded.
- 3. Do not expose power tools to rain or wet conditions.** Water entering a power tool will increase the risk of electric shock.
- 4. Do not abuse the cord. Never use the cord for carrying, pulling or unplugging the power tool. Keep cord away from heat, oil, sharp edges or moving parts.** Damaged or entangled cords increase the risk of electric shock.
- 5. When operating a power tool outdoors, use an extension cord suitable for outdoor use.** Use of a cord suitable for outdoor use reduces the risk of electric shock.

- 6. If operating a power tool in a damp location is unavoidable, use a ground fault circuit interrupter (GFCI) protected supply.** Use of a GFCI reduces the risk of electric shock.

PERSONAL SAFETY

- 1. Stay alert, watch what you are doing and use common sense when operating a power tool. Do not use a power tool while you are tired or under the influence of drugs, alcohol or medication.** A moment of inattention while operating power tools may result in serious personal injury.
- 2. Use personal protective equipment. Always wear eye protection.** Protective equipment such as a respiratory mask, non-skid safety shoes and hearing protection used for appropriate conditions will reduce the risk of personal injury.
- 3. Prevent unintentional starting. Ensure the switch is in the off-position before connecting to power source and/or battery pack, picking up or carrying the tool.** Carrying power tools with your finger on the switch or energizing power tools that have the switch on invites accidents.
- 4. Remove any adjusting key or wrench before turning the power tool on.** A wrench or a key left attached to a rotating part of the power tool may result in personal injury.
- 5. Do not overreach. Keep proper footing and balance at all times.** This enables better control of the power tool in unexpected situations.
- 6. Dress properly. Do not wear loose clothing or jewelry. Keep your hair and clothing away from moving parts.** Loose clothes, jewelry or long hair can be caught in moving parts.

GENERAL SAFETY RULES

 **WARNING!** Read all safety warnings and all instructions. Failure to follow the warnings and instructions may result in electric shock, fire and/or serious injury.

Safety is a combination of common sense, staying alert and knowing how your item works. The term “power tool” in the warnings refers to your mains-operated (corded) power tool or battery-operated (cordless) power tool.

SAVE THESE SAFETY INSTRUCTIONS.

7. If devices are provided for the connection of dust extraction and collection facilities, ensure these are connected and properly used. Use of dust collection can reduce dust-related hazards.

POWER TOOL USE AND CARE

1. Do not force the power tool. Use the correct power tool for your application. The correct power tool will do the job better and safer at the rate for which it was designed.

2. Do not use the power tool if the switch does not turn it on and off. Any power tool that cannot be controlled with the switch is dangerous and must be repaired.

3. Disconnect the plug from the power source and/or the battery pack from the power tool before making any adjustments, changing accessories, or storing power tools. Such preventive safety measures reduce the risk of starting the power tool accidentally.

4. Store idle power tools out of the reach of children and do not allow persons unfamiliar with the power tool or these instructions to operate the power tool. Power tools are dangerous in the hands of untrained users.

5. Maintain power tools. Check for misalignment or binding of moving parts, breakage of parts and any other condition that may affect the power tool's operation. If damaged, have the power tool repaired before use. Many accidents are caused by poorly maintained power tools.

6. Keep cutting tools sharp and clean. Properly maintained cutting tools with sharp cutting edges are less likely to bind and are easier to control.

7. Use the power tool, accessories and tool bits, etc. in accordance with these instructions, taking into account the working conditions and the work to be performed. Use of the power tool for operations different from those intended could result in a hazardous situation.

8. Use clamps to secure your workpiece to a stable surface. Holding a workpiece by hand or using your body to support it may lead to loss of control.

9. KEEP GUARDS IN PLACE and in working order.

SERVICE

1. Have your power tool serviced by a qualified repair person using only identical replacement parts. This will ensure that the safety of the power tool is maintained.

CALIFORNIA PROPOSITION 65 WARNING

Some dust created by power sanding, sawing, grinding, drilling, and other construction activities may contain chemicals, including lead, known to the State of California to cause cancer, birth defects, or other reproductive harm. Wash hands after handling. Some examples of these chemicals are:

- Lead from lead-based paints.
- Crystalline silica from bricks, cement, and other masonry products.
- Arsenic and chromium from chemically treated lumber.

Your risk from these exposures varies depending on how often you do this type of work. To reduce your exposure to these chemicals, work in a well-ventilated area with approved safety equipment such as dust masks specially designed to filter out microscopic particles.


DRYWALL SANDER SAFETY WARNINGS

⚠ WARNING! Do not let comfort or familiarity with the product replace strict adherence to product safety rules. Failure to follow the safety instructions may result in serious personal injury.

DRYWALL SANDER SAFETY

1. This power tool is intended for sanding drywall for home use only. Using this tool for professional purposes will reduce the tool's lifespan and cause parts to wear down sooner. Do not force the machine to do other jobs, such as grinding, cutting off, grooming, etc. Operations for which the tool was not designed, including modification of the machine, may cause machine damage, personal injuries, and invalidate the warranty.
2. Keep bystanders and all other living creatures, away from the work area.
3. Do not operate the tool in the presence of flammable liquids or gases. Do not operate the tool in wet or damp conditions; doing so significantly increases the risk of electrical shock.
4. The following personal protective equipment must be used to reduce the risk of personal injuries:
 - ANSI Z87.1-approved impact-resistant safety goggles with side shields. Safety goggles should be worn during operation, assembly or maintenance of the tool.
 - Ear protection such as plugs or muffs. Failure to use adequate ear protectors when the noise level is high can result in hearing loss and other problems, such as tinnitus (ringing, whistling or buzzing in the ear).
 - Face mask or dust mask to fight the debris produced by operation. The dust generated during use may carry health risks (e.g. cancer, birth defects, asthma and/or dermatitis). Work in a well-ventilated environment and wear a dust mask specially designed to filter out microscopic particles.
 - Safety non-slip work boots.
 - Safety helmet if any work is being carried out above your head.
5. The rated speed of the accessories must be greater than or equal to the tool's maximum speed of 1200 RPM. Do not use accessories rated at speeds below the machine's maximum RPM.
6. Do not use sanding discs larger than the recommended size of 9 inches in diameter. Incorrectly sized accessories will not get along with your sander.
7. Always hold your tool firmly with both hands to maintain control and to avoid kickback.
8. Do not run the power tool while carrying it at your side. Accidental contact with the rotating sanding pad could snag your clothing, pulling the pad into your body.
9. Never lay the power tool down until the sanding pad has come to a complete stop. The rotating sanding pad may grab the surface and pull the sander out of your control.
10. Always turn the tool OFF and remove the battery before making adjustments or performing maintenance.
12. Maintain the tool properly. Keep your machine's ventilation slots and dust port clean. Keep the tool and accessories clean and in good working order. Have your tool serviced by a qualified repair person using only identical replacement parts.

DRYWALL SANDER SAFETY WARNINGS

 **WARNING!** Do not let comfort or familiarity with the product replace strict adherence to product safety rules. Failure to follow the safety instructions may result in serious personal injury.

KICKBACK AND RELATED WARNINGS

Kickback is a sudden reaction to a pinched or snagged rotating wheel, backing pad, brush or any other accessory. Pinching or snagging causes rapid stalling of the rotating accessory which in turn causes the uncontrolled power tool to be forced in the direction opposite of the accessory's rotation at the point of the binding.

Kickback is the result of power tool misuse and/or incorrect operating procedures or conditions and can be avoided by taking proper precautions as given below.

1. Maintain a firm grip on the power tool and position your body and arm to allow you to resist kickback forces. Always use auxiliary handle, if provided, for maximum control over kickback or torque reaction during start-up. The operator can control torque reactions or kickback forces, if proper precautions are taken.
2. Never place your hand near the rotating accessory. The accessory may kickback over your hand.
3. Do not position your body in the area where power tool will move if kickback occurs. Kickback will propel the tool in the direction opposite to the wheel's movement at the point of snagging.
4. Use special care when working corners, sharp edges etc. Avoid bouncing and snagging the accessory. Corners, sharp edges or bouncing have a tendency to snag the rotating accessory and cause loss of control or kickback.

VIBRATION SAFETY

This tool vibrates during use. Repeated or long-term exposure to vibration may cause temporary or permanent physical injury, particularly to the hands, arms and shoulders. To reduce the risk of vibration-related injuries:

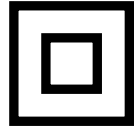
1. First be examined by a doctor and then have regular medical check-ups to ensure medical problems are not being caused or worsened from using this tool. People who are pregnant, have impaired blood circulation to the hand, past hand injuries, nervous system disorders, diabetes, or Raynaud's disease should NOT use this tool.
2. If you feel any symptoms related to vibration (such as tingling, numbness, and white or blue fingers), stop working and seek medical advice as soon as possible.
3. Wear suitable work gloves to reduce the effects of vibration.
4. Hold the tool firmly enough to keep safe control of it, but NOT too tightly. The risk associated with vibration is increased when the gripping force is high. Let the tool do the work.
5. Take vibration-free breaks during each day of work.

These safety instructions can't possibly warn of every scenario that may arise with this tool, so always make sure to stay alert and use common sense during operation.

ELECTRICAL INFORMATION (CHARGER)

DOUBLE-INSULATED CHARGER

The charger's electrical system is double-insulated where two systems of insulation are provided. This eliminates the need for the usual three-wire grounded power cord. Double-insulated tools do not need to be grounded, nor should a means for grounding be added to the product. All exposed metal parts are isolated from the internal metal components with protecting insulation.



IMPORTANT: Servicing a double-insulated product requires extreme care and knowledge of the system, and should be done only by qualified service personnel using identical replacement parts. Always use original factory replacement parts when servicing.

1. Polarized Plugs. To reduce the risk of electric shock, this equipment has a polarized plug (one blade is wider than the other). This plug will fit in a polarized outlet only one way. If the plug does not fit fully in the outlet, reverse the plug. If it still does not fit, contact a qualified electrician to install a proper outlet. Do not modify the machine plug or the extension cord in any way.

2. Ground fault circuit interrupter protection (GFCI) should be provided on the circuit or outlet used for this power tool to reduce the risk of electric shock.

3. Service and repair. To avoid danger, electrical appliances must only be repaired by a qualified service technician using original replacement parts.

GUIDELINES AND RECOMMENDATIONS FOR EXTENSION CORDS

When using an extension cord, be sure to use one heavy enough to carry the current your product will draw. An undersized cord will cause a drop in line voltage, resulting in loss of power and overheating. The table below shows the correct size to be used according to cord length and ampere rating. When in doubt, use a heavier cord. The smaller the gauge number, the heavier the cord.

AMPERAGE	REQUIRED GAUGE FOR EXTENSION CORDS			
	25 ft.	50 ft.	100 ft.	150 ft.
0.5A	18 gauge	16 gauge	16 gauge	14 gauge

1. Examine extension cord before use. Make sure your extension cord is properly wired and in good condition. Always replace a damaged extension cord or have it repaired by a qualified person before using it.

2. Do not abuse extension cord. Do not pull on cord to disconnect from receptacle; always disconnect by pulling on plug. Disconnect the extension cord from the receptacle before disconnecting the product from the extension cord. Protect your extension cords from sharp objects, excessive heat and damp/wet areas.

3. Use a separate electrical circuit for your tool. This circuit must not be less than a 12-gauge wire and should be protected with a 15A time-delayed fuse. Before connecting the motor to the power line, make sure the switch is in the OFF position and the electric current is rated the same as the current stamped on the motor nameplate. Running at a lower voltage will damage the motor.

BATTERY & CHARGER SAFETY WARNINGS

Despite all of the safety precautions, caution must always be taken when handling batteries. The following points must be obeyed at all times to ensure safe use. Safe use can only be guaranteed if undamaged cells are used. Incorrect handling of the battery pack can cause cell damage.

- **Avoid dangerous environments** – Do not charge the battery pack in rain, snow or in damp or wet locations. Do not use the battery pack or charger in the presence of explosive atmospheres (gaseous fumes, dust or flammable materials) because sparks may be generated when inserting or removing the battery pack, which could lead to a fire.

- **Charge in a well-ventilated area** – Do not block the charger vents. Keep them clear to allow for proper ventilation. Do not allow smoking or open flames near a charging battery pack. Vented gases may explode.

NOTE: The safe temperature range for the battery charging is 41°F to 104°F. Do not charge the battery outside in freezing weather; charge it at room temperature.


- **Maintain charger cord** – When unplugging the charger, pull the plug, not the cord, from the receptacle to reduce the risk of damage to the electrical plug and cord. Never carry the charger by its cord or yank it by the cord to disconnect it from the receptacle. Keep the cord away from heat, oil and sharp edges. Make sure the cord will not be stepped on, tripped over or subjected to damage or stress when the charger is in use. Do not use the charger with a damaged cord or plug. Replace a damaged charger immediately.

- **Do not use an extension cord unless it is absolutely necessary** – Using the wrong, damaged or improperly wired extension cord poses a risk of fire and electric shock. If an extension cord must be used, plug the charger into a properly wired 16 gauge or larger extension cord with the female plug matching the male plug on the charger. Make sure that the extension cord is in good electrical condition.

- **Charger is rated for 120 volt AC only** – The charger must be plugged into an appropriate receptacle.

- **Use only recommended attachments** – Use of an attachment not recommended or sold by WEN Products may result in risk of fire, electric shock or personal injury.

- **Unplug charger when not in use** – Make sure to remove battery packs from unplugged chargers.

 **WARNING!** To reduce the risk of electric shock, always unplug the charger before performing any cleaning or maintenance. Do not allow water to flow into the charger. Use a Ground Fault Circuit Interrupter (GFCI) to reduce shock hazards.

- **Do not burn or incinerate battery packs** – Battery packs may explode, causing personal injury or damage. Toxic fumes and materials are created when battery packs are burned.

- **Do not crush, drop or damage battery packs** – Do not use the battery pack or charger if they have sustained a sharp blow, been dropped, run over or have been damaged in any way (i.e. pierced with a nail, hit with a hammer, stepped on, etc.).

- **Do not disassemble** – Incorrect reassembly may pose a serious risk of electric shock, fire or exposure to toxic battery chemicals. If the battery or charger are damaged, call WEN customer service at **1-847-429-9263** for assistance.

- **Battery chemicals cause serious burns** – Never let a damaged battery pack contact the skin, eyes or mouth. If a damaged battery pack leaks battery chemicals, use rubber or neoprene gloves to safely dispose of it. If skin is exposed to battery fluids, wash the affected area with soap and water and rinse with vinegar. If eyes are exposed to battery chemicals, immediately flush with water for 20 minutes and seek medical attention. Remove and dispose of contaminated clothing.

- **Store your battery pack and charger in a cool, dry place** – Do not store the battery pack or charger where temperatures may exceed 104 °F, such as in direct sunlight or inside a vehicle or metal building during the summer.

- **Do not short circuit** – A battery pack will short circuit if a metal object makes a connection between the positive and negative contacts on the battery pack. Do not place a battery pack near anything that may cause a short circuit, such as paper clips, coins, keys, screws, nails and other metallic objects. A short-circuited battery pack poses a risk of fire and severe personal injury.

BATTERY & CHARGER SAFETY WARNINGS

ABOUT THE BATTERY

1. The battery pack has to be charged completely before you use the tool for the first time.
2. For optimum battery performance, avoid low discharge cycles by charging the battery pack frequently.
3. Lithium-ion batteries are subject to a natural aging process. The battery pack must be replaced at the latest when its capacity falls to just 80% of its capacity when new. Weakened cells in an aged battery pack are no longer capable of meeting the high power requirements needed for the proper operation of your tool, and therefore pose a safety risk.
4. Do not throw battery packs into an open fire as this poses a risk of explosion. Do not ignite the battery pack or expose it to fire.
5. Do not exhaustively discharge batteries. Exhaustive discharge will damage the battery cells. The most common cause of exhaustive discharge is lengthy storage or non-use of partially discharged batteries. Stop working as soon as the performance of the battery falls noticeably or the electronic protection system triggers. Place the battery pack in storage only after it has been fully charged.
6. Protect batteries and the tool from overloads. Overloads will quickly result in overheating and cell damage inside the battery housing even if this overheating is not apparent externally.
7. Avoid damage and shocks. Immediately replace batteries that have been dropped from a height of more than one meter or those that have been exposed to violent shocks, even if the housing of the battery pack appears to be undamaged. The battery cells inside the battery may have suffered serious damage. In such instances, please read the waste disposal information for proper battery disposal.
8. If the battery pack suffers overloading and overheating, the integrated protective cutoff will switch off the equipment for safety reasons.
9. Use only original battery packs. The use of other batteries poses a fire risk and may result in injuries or an explosion.

ABOUT THE CHARGER

Protect battery charger and cord from damage. Keep the charger and its cord away from heat, oil and sharp edges.

Electrical plugs must match the outlet. Never modify the plug in any way. Do not use any adapter plugs with grounded appliances. Unmodified plugs and matching outlets will reduce the risk of electric shock.

Keep the battery charger, battery pack(s), and the cordless tool out of the reach of children.

Do not use the supplied battery charger to charge other cordless tools.

During periods of heavy use, the battery pack will become warm. Allow the battery pack to cool to room temperature before inserting it into the charger to recharge.

Do not overcharge batteries. Do not exceed the maximum charging times. These charging times only apply to discharged batteries. Frequent insertion of a charged or partially charged battery pack will result in overcharging and cell damage. Do not leave battery in the charger for days on end.

Never use or charge a battery if you suspect that it has been more than 12 months since last time they were charged. There is a high probability that the battery pack has already suffered dangerous damage (exhaustive discharge).

Do not use batteries that have been exposed to heat during the charging process, as the battery cells may have suffered dangerous damage.

Do not use batteries that have suffered curvature or deformation during the charging process or those that exhibit other atypical symptoms (gassing, hissing, cracking, etc.)

UNPACKING & PACKING LIST

UNPACKING

Carefully remove the drywall sander from the packaging and place it on a sturdy, flat surface. Make sure to take out all contents and accessories. Do not discard the packaging until everything is removed. Check the packing list below to make sure you have all of the parts and accessories. If any part is missing or broken, please contact customer service at **1-847-429-9263** (M-F 8-5 CST), or email techsupport@wenproducts.com.

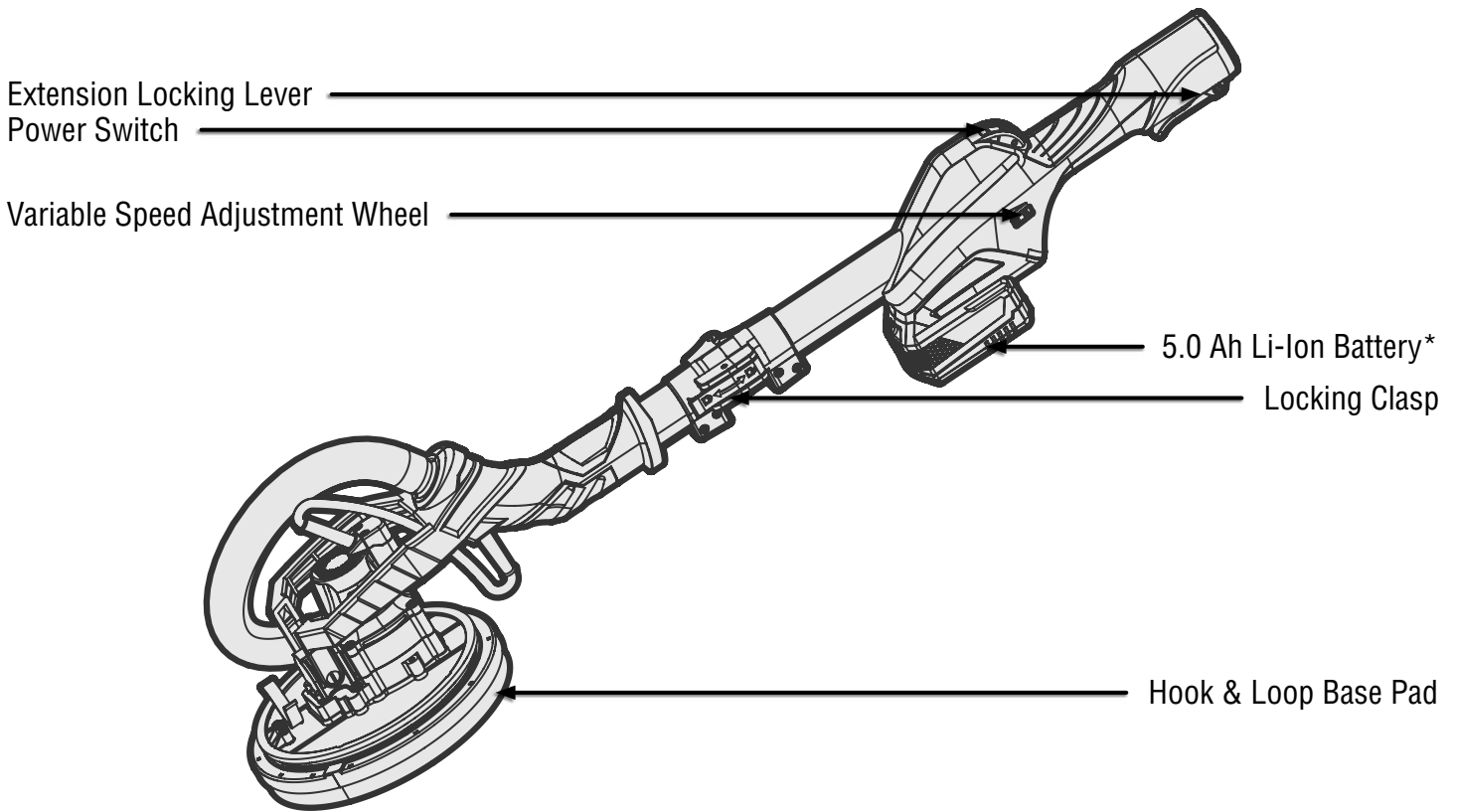
Description	Qty.
Drywall Sander	1
Hook-and-Loop Sanding Discs (60, 80, 120, 150, 180, and 240 Grit)	6
Dust Hose	1
Extension Pole	1
Shoulder Strap	1
5mm Hex Wrench	1
5.0 Ah 20V Battery*	1
20V Charger*	1

***Only included with model number 20409.**

KNOW YOUR DRYWALL SANDER

TOOL PURPOSE

Easily sand drywall with your WEN 20V Cordless Drywall Sander. Refer to the following diagrams to become familiarized with all the parts and controls of your drywall sander. The components will be referred to later in the manual for assembly and operation instructions.



***Only included with model number 20409.**

ASSEMBLY & ADJUSTMENTS

⚠ WARNING! To avoid injury from accidental startups, make sure that the tool is OFF and the battery is removed from the drywall sander.

ASSEMBLING THE DRYWALL SANDER

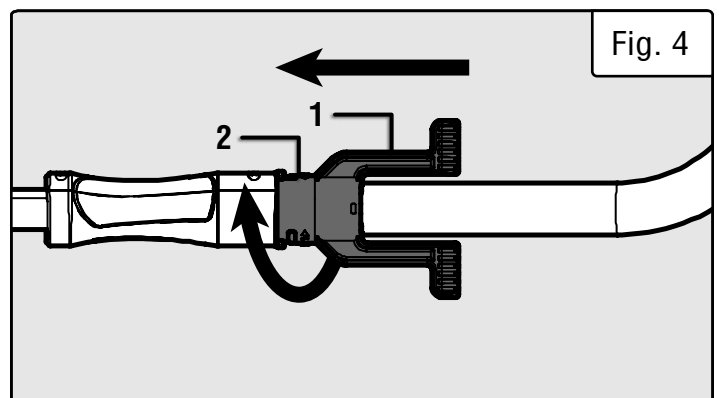
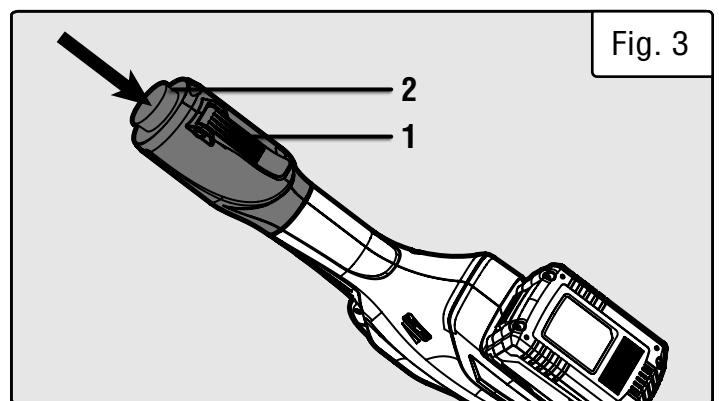
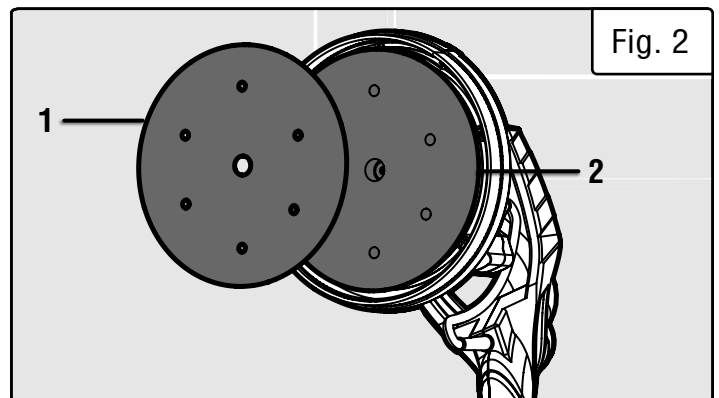
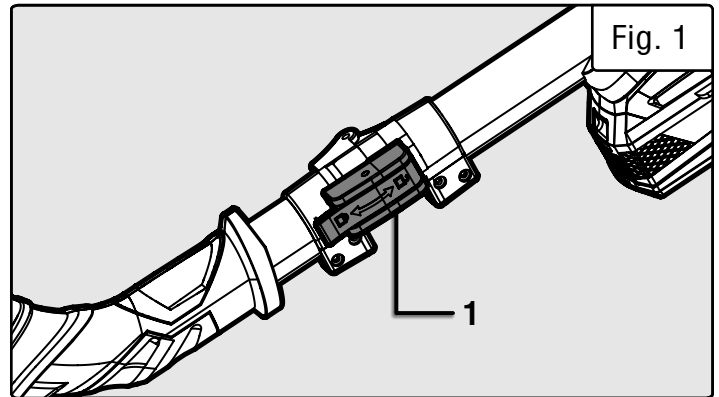
1. Unfold the front and back of the drywall sander. Push the locking clasp (Fig. 1 - 1) into the closed position to keep the drywall sander assembly from unfolding.

2. Attach the sanding disk (Fig. 2 - 1) of your choice to the face of the hook and loop base pad (Fig. 2 - 2). Ensure the holes on the sanding disks align with the holes on the bottom of the pad.


3. Attach the optional handle extension to the drywall sander by loosening the extension lock lever (Fig. 3 - 1) at the end of the main drywall sander body, insert the pole into the main drywall sander (Fig. 3 - 2) and tighten the extension lock lever. Do not exceed the allowable extension length indicated by the mark on the handle extension.

4. If you would like to use a dust collection device, insert the hose connection port (Fig. 4 - 1) into the end of the handle extension and turn the lock ring (Fig. 4 - 2) to lock. If you choose not to use the handle extension, attach the hose connection port directly to the end of main drywall sander using the lock ring and the extension lock lever (Fig. 3 - 1).

5. Connect the other end of the dust hose to the dust extraction device of your choice.



ASSEMBLY & ADJUSTMENTS

 **WARNING!** To avoid injury from accidental startups, make sure that the tool is OFF and the battery is removed from the drywall sander

CHARGING THE BATTERY PACK

The 20V battery pack for this tool is supplied in a low charge condition to prevent possible problems, and must be charged completely before you use the tool for the first time.

NOTE: The battery pack and charger are not included with model 20409BT.

1. Connect charger to a 120V, 60Hz AC outlet. The green light on the charger will illuminate, indicating that the charger is powered.
2. Slide the battery all the way into the charger until it clicks. The red light on the charger will illuminate, indicating that the battery is charging.

Charging Indication:

- Solid Green: Ready to Charge
- Solid Red: Charging
- Solid Green: Charged

3. When the battery is charged, the red light will turn off and the green light will turn on. Remove the battery from the charger and unplug the charger from the power supply.

NOTE: Battery will not reach full charge the first time it is charged. Allow several cycles for the battery to fully charge. The battery pack may become warm while charging; this is normal. If the battery is hot after continuous use in the tool, allow it to cool to room temperature before charging. This will prolong the life of your battery.

The battery pack is equipped with three LED battery life indication lights. Press and hold the power button on the rear of the battery to check the battery's charge status.

Battery Life Indication:

- Three Lights: The battery is fully charged.
- Two Lights: The battery is about 60% charged.
- One Light: The battery is almost out of power and needs to be charged.

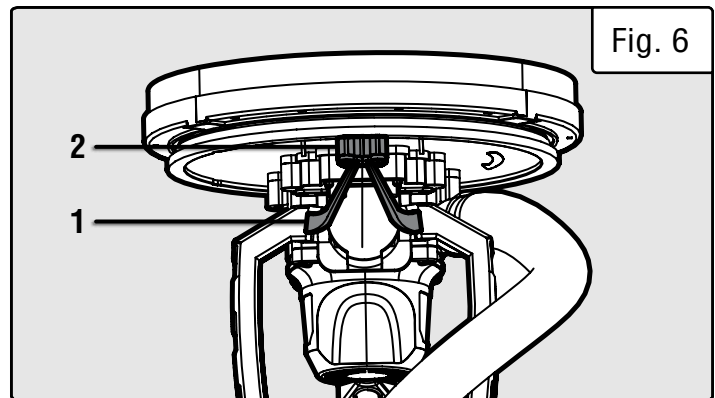
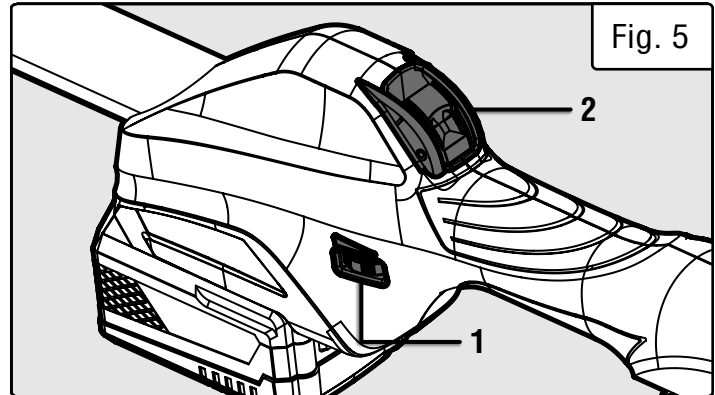
INSERTING AND REMOVING THE BATTERY

1. To install the battery, slide the battery pack into the battery port. Make sure the release latch on the rear side of the battery pack snaps into place and the battery is secure before beginning operation.
2. To remove the battery pack, press the battery release latch on the front of the battery and pull the battery pack out.

OPERATION

OPERATING THE DRYWALL SANDER

1. Hold the machine with both hands.
2. Do not hold the machine by the machine's head.
3. Before operation, make sure every fastener and nut has been properly engaged and that the sanding pad has been properly installed and aligned.
4. Before switching the machine ON, keep the sanding head slightly away from the work surface.
5. Do not press down too hard in order to avoid overloading the sander. Use proper pressure for better sanding effects. If the machine slows or bogs down, immediately lessen the applied pressure. The quality of the results are mainly determined by choosing the right abrasive grit for the job.
6. Once the sanding task has been completed, turn off the machine. Wait for the pad to stop rotating before setting down the machine.



VARIABLE SPEED CONTROL

Use the speed wheel (Fig. 5 - 1) to adjust anywhere from 600 to 1200 RPM. This drywall sander is equipped with

constant speed control to keep the pad running at a con-

TURNING ON THE DRYWALL SANDER

After setting the variable speed to your desired RPM, power the machine by pressing forward on the power switch (Fig. 5 - 2).

LOCK FOR CEILING SANDING

The sanding head can be locked for ceiling sanding by attaching the rubber band (Fig. 6 - 1) to the hook (Fig. 6 - 2) on the front of the sander head. This ensures that the sanding surface always faces upwards, making it easy to position the sander on the ceiling.

USING DUST COLLECTION

A dust collection system can be used with your drywall sander to reduce drywall dust during sanding.

For the best results, use a dust collection system that is rated for drywall dust or fine particulates, such as a cyclone-type dust collector.

If using a wet/dry shop-style vacuum, it is recommended to use a 2-stage filter system (a dust bag installed inside of the vacuum drum in addition to the standard HEPA filter) to prevent frequent clogging of the inner HEPA filter with drywall dust.

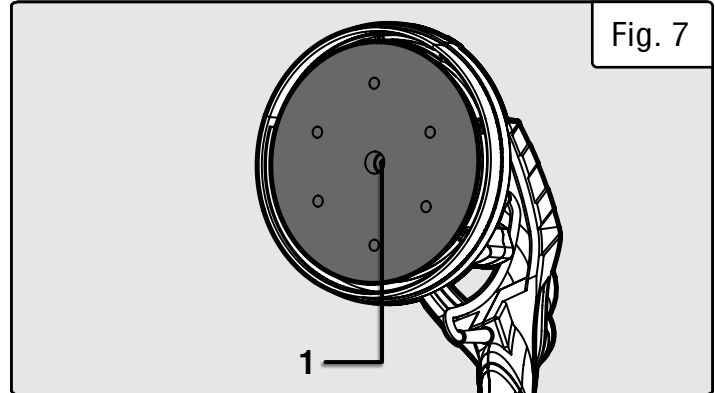
NOTE: The sander is equipped with a passive dust collection fan in the head of the sander to aid with dust collection. If no dust collection system is attached to the dust port on the bottom of the sander, drywall dust may be ejected from the dust port due to the passive suction system.

NOTE: If the drywall dust collection lessens during use when connected to a shop-style vacuum, check the inner HEPA filter of the vacuum for clogged dust and clean as necessary.

MAINTENANCE

REPLACING THE SANDING PAD

Insert the included hex wrench into the hexagonal screw (Fig. 7 - 1) located in the center of the hook and loop sanding pad. Hold the pad firmly while turning the wrench to unscrew the center hex screw. Replace the pad (**part DW5062-003**). Replacement parts are available for purchase on wenproducts.com. Attach firmly in place using the hexagonal screw.



⚠ WARNING! To avoid accidents, make sure the power switch is in the OFF position and the battery is removed from the terminal before cleaning or performing any maintenance. Servicing of the tool must be performed by a qualified technician.

ROUTINE INSPECTION

1. Before each use, inspect the general condition of the tool.

Check for:

- Loose hardware,
- Misalignment or binding of moving parts,
- Damaged cord/electrical wiring,
- Cracked or broken parts, and
- Any other condition that may affect its safe operation.

2. After every use, wipe the tool with a soft cloth. Do not let water enter the tool.

3. Keep the ventilation openings free from dust and debris to prevent the motor from overheating.

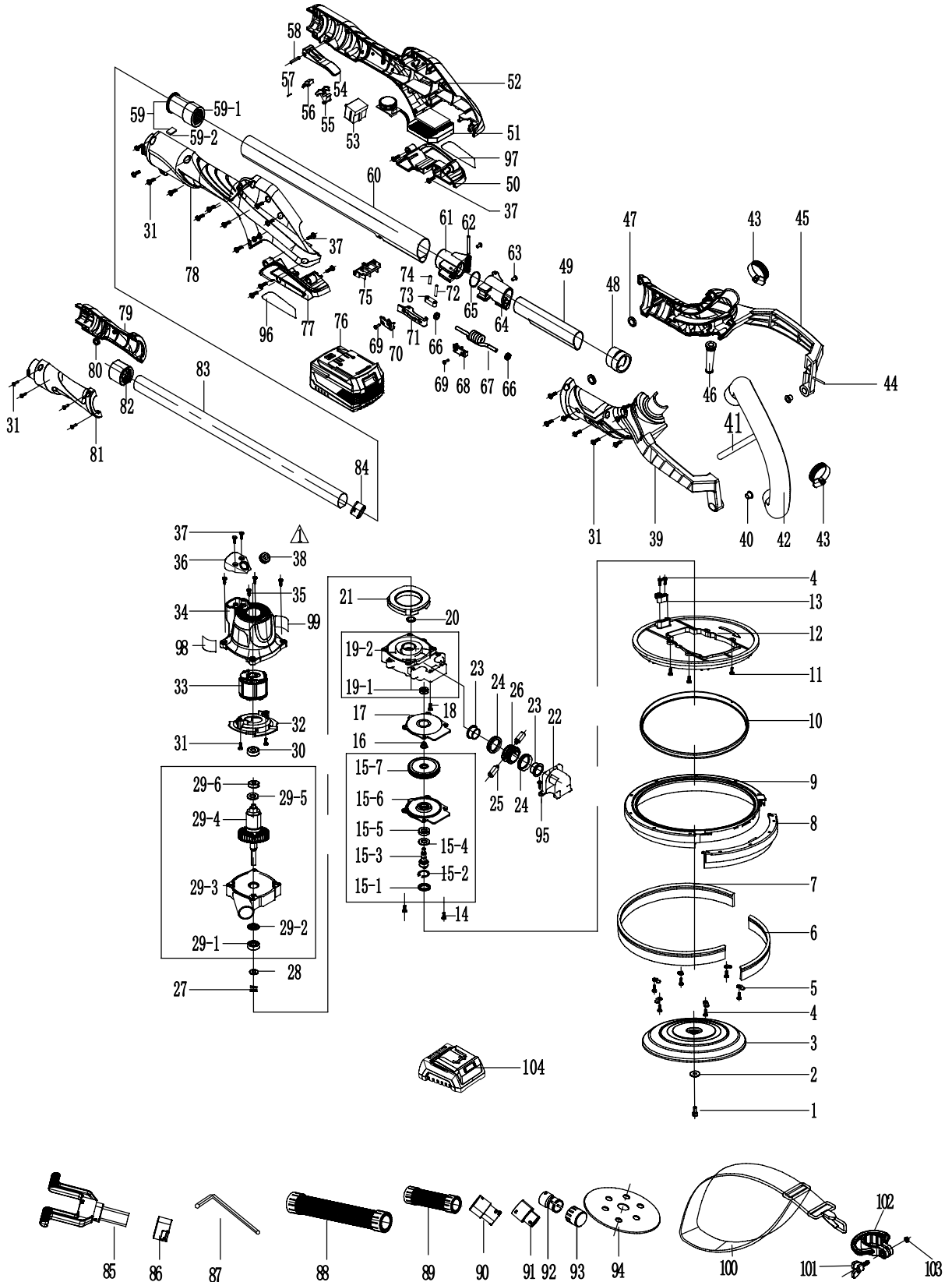
4. Most plastics are susceptible to damage from various types of commercial solvents. Do not use any solvents or cleaning products that could damage the plastic parts. Some of these include but are not limited to: gasoline, carbon tetrachloride, chlorinated cleaning solvents, ammonia and household detergents that contain ammonia.

5. Store the tool in a clean and dry place away from the reach of children.

PRODUCT DISPOSAL

Used power tools should not be disposed of together with household waste. This product contains electronic components that should be recycled. Please take this product to your local recycling facility for responsible disposal and to minimize its environmental impact.

EXPLODED VIEW & PARTS LIST



NOTE: Not all parts may be available for purchase. Parts and accessories that wear down over the course of normal use are not covered under the warranty.

EXPLODED VIEW & PARTS LIST

No.	Part No.	Description	Qty.
1	20409-001	Sanding Pad Screw M6x15	1
2	20409-002	Washer	1
3	DW5062-003	Sanding Pad	1
4	20409-004	Self-tapping Screw	8
5	20409-005	Washer Gasket	6
6	20409-006	Front Brush Segment	1
7	20409-007	Large Brush Segment	1
8	20409-008	Rim Segment	1
9	20409-009	Sanding Head Rim	1
10	20409-010	Sanding Head Ring	1
11	20409-011	Screw M5x14	4
12	20409-012	Sanding Head Cover	1
13	20409-013	Locating Bracket	1
14	20409-014	Screw M4x14	4
15	20409-015	Drive Bearing Assembly	1
16	20409-016	Spring	1
17	20409-017	Dust Bracket	1
18	20409-018	Screw M4x12	6
19	20409-019	Gear Box Assembly	1
20	20409-020	Seal Ring	1
21	20409-021	Gear Box Inset	1
22	20409-022	Arm Bracket	1
23	20409-023	Dampener	2
24	20409-024	Rubber Sleeve	2
25	20409-025	Screw Pins	2
26	20409-026	Flex Sleeve	1
27	20409-027	Spring	1
28	20409-028	Washer	1
29	20409-029	Rotor Assembly	1
30	20409-030	Bearing Sleeve	1
31	20409-031	Self-tapping Screw	25
32	20409-032	Suction Ring	1
33	20409-033	Stator	1
34	20409-034	Motor Housing	1

No.	Part No.	Description	Qty.
35	20409-035	Screw M5x45	4
36	20409-036	Power Cord Bracket	1
37	20409-037	Self-tapping Screw	7
38	20409-038	Strain-relief Sleeve	1
39	20409-039	Right Head Arm	1
40	20409-040	Rubber Sleeve	2
41	20409-041	Rubber Band	1
42	20409-042	Suction Hose	1
43	20409-043	Hose Clamp	2
44	20409-044	Pin	2
45	20409-045	Left Head Arm	1
46	20409-046	Sleeve	1
47	20409-047	Washer	2
48	20409-048	Suction Connector	1
49	20409-049	Upper Suction Shaft	1
50	20409-050	Left Battery Terminal	1
51	20409-051	Motor PCB	1
52	20409-052	Left Handle Housing	1
53	20409-053	Power Switch	1
54	20409-054	Handle Extension Locking Lever	1
55	20409-055	Switch Lever	1
56	20409-056	Switch Button	1
57	20409-057	Pin	1
58	20409-058	Extension Lever Pin	1
59	20409-059	Right Handle Assembly	1
60	20409-060	Main Handle Shaft	1
61	20409-061	Lower Hinge Bracket	1
62	20409-062	Hinge Pin	1
63	20409-063	Clinch Bolt	2
64	20409-064	Upper Hinge Bracket	1
65	20409-065	O-Ring	1
66	20409-066	Spring Sleeve	2
67	20409-067	Spring	1
68	20409-068	Upper Cable Bracket	1
69	20409-069	Self-tapping Screw	4
70	20409-070	Upper Cable Bracket	1

EXPLODED VIEW & PARTS LIST

No.	Part No.	Description	Qty.
71	6369-091	Locking Latch	1
72	20409-072	Locking Latch Pin	1
73	20409-073	Locking Latch Arm	1
74	20409-074	Latch Arm Pin	1
75	20409-075	Battery Terminal Pins	1
76	20205	5Ah Battery	1
77	20409-077	Right Battery Terminal	1
78	20409-078	Right Handle Housing	1
79	20409-079	Left Extension Handle	1
80	20409-080	Washer	1
81	20409-081	Right Extension Handle	1
82	20409-082	Handle Extension Sleeve	1
83	20409-083	Handle Extension Shaft	1
84	20409-084	Upper Extension Sleeve	1
85	20409-085	Foot Connector	1

No.	Part No.	Description	Qty.
86	20409-086	Lock Ring	1
87	DW5062-108	Hex Wrench S5	1
88	6369-103	Flexible Hose	1
89	20409-089	Intermediate Dust Hose	1
90	20409-090	Ø35 Vacuum Adapter	1
91	20409-091	Intermediate Adapter	1
92	6362-054	Middle Connector	1
93	DW5062-102	Ø47 Vacuum Adapter	1
94	DW6394-001	Sandpaper	1
95	20409-095	Screw	2
96	20409-096	Right Label	1
97	20409-097	Left Label	1
98	20409-098	Right Motor Label	1
99	20409-099	Left Motor Label	1
100	DW5062-104	Shoulder Strap with Hook	1
101	DW5062-107	Bolt M5x18	1
102	DW5062-105	Hook Seat	1
103	DW5062-106	Nut M5	1
104	20200C	Battery Charger	1

* **NOTE:** Model 20409BT does not include a battery or charger.

NOTE: Not all parts may be available for purchase. Parts and accessories that wear down over the course of normal use are not covered under the warranty.

WARRANTY STATEMENT

WEN Products is committed to building tools that are dependable for years. Our warranties are consistent with this commitment and our dedication to quality.

LIMITED WARRANTY OF WEN PRODUCTS FOR HOME USE

GREAT LAKES TECHNOLOGIES, LLC (“Seller”) warrants to the original purchaser only, that all WEN consumer power tools will be free from defects in material or workmanship during personal use for a period of two (2) years from date of purchase or 500 hours of use; whichever comes first. Ninety days for all WEN products if the tool is used for professional or commercial use. Purchaser has 30 days from the date of purchase to report missing or damaged parts.

SELLER’S SOLE OBLIGATION AND YOUR EXCLUSIVE REMEDY under this Limited Warranty and, to the extent permitted by law, any warranty or condition implied by law, shall be the replacement of parts, without charge, which are defective in material or workmanship and which have not been subjected to misuse, alteration, careless handling, misrepair, abuse, neglect, normal wear and tear, improper maintenance, or other conditions adversely affecting the Product or the component of the Product, whether by accident or intentionally, by persons other than Seller. To make a claim under this Limited Warranty, you must make sure to keep a copy of your proof of purchase that clearly defines the Date of Purchase (month and year) and the Place of Purchase. Place of Purchase must be a direct vendor of Great Lakes Technologies, LLC. Purchasing through third party vendors, including but not limited to garage sales, pawn shops, resale shops, or any other secondhand merchant, voids the warranty included with this product. Contact techsupport@wenproducts.com or 1-847-429-9263 with the following information to make arrangements: your shipping address, phone number, serial number, required part numbers, and proof of purchase. Damaged or defective parts and products may need to be sent to WEN before the replacements can be shipped out.

Upon the confirmation of a WEN representative, your product may qualify for repairs and service work. When returning a product for warranty service, the shipping charges must be prepaid by the purchaser. The product must be shipped in its original container (or an equivalent), properly packed to withstand the hazards of shipment. The product must be fully insured with a copy of the proof of purchase enclosed. There must also be a description of the problem in order to help our repairs department diagnose and fix the issue. Repairs will be made and the product will be returned and shipped back to the purchaser at no charge for addresses within the contiguous United States.

THIS LIMITED WARRANTY DOES NOT APPLY TO ITEMS THAT WEAR OUT FROM REGULAR USAGE OVER TIME, INCLUDING BELTS, BRUSHES, BLADES, BATTERIES, ETC. ANY IMPLIED WARRANTIES SHALL BE LIMITED IN DURATION TO TWO (2) YEARS FROM DATE OF PURCHASE. SOME STATES IN THE U.S. AND SOME CANADIAN PROVINCES DO NOT ALLOW LIMITATIONS ON HOW LONG AN IMPLIED WARRANTY LASTS, SO THE ABOVE LIMITATION MAY NOT APPLY TO YOU.

IN NO EVENT SHALL SELLER BE LIABLE FOR ANY INCIDENTAL OR CONSEQUENTIAL DAMAGES (INCLUDING BUT NOT LIMITED TO LIABILITY FOR LOSS OF PROFITS) ARISING FROM THE SALE OR USE OF THIS PRODUCT. SOME STATES IN THE U.S. AND SOME CANADIAN PROVINCES DO NOT ALLOW THE EXCLUSION OR LIMITATION OF INCIDENTAL OR CONSEQUENTIAL DAMAGES, SO THE ABOVE LIMITATION OR EXCLUSION MAY NOT APPLY TO YOU.

THIS LIMITED WARRANTY GIVES YOU SPECIFIC LEGAL RIGHTS, AND YOU MAY ALSO HAVE OTHER RIGHTS WHICH VARY FROM STATE TO STATE IN THE U.S., PROVINCE TO PROVINCE IN CANADA AND FROM COUNTRY TO COUNTRY.

THIS LIMITED WARRANTY APPLIES ONLY TO ITEMS SOLD WITHIN THE UNITED STATES OF AMERICA, CANADA AND THE COMMONWEALTH OF PUERTO RICO. FOR WARRANTY COVERAGE WITHIN OTHER COUNTRIES, CONTACT THE WEN CUSTOMER SUPPORT LINE. FOR WARRANTY PARTS OR PRODUCTS REPAIRED UNDER WARRANTY SHIPPING TO ADDRESSES OUTSIDE OF THE CONTIGUOUS UNITED STATES, ADDITIONAL SHIPPING CHARGES MAY APPLY.