

WARRANTY STATEMENT

WEN Products is committed to building tools that are dependable for years. Our warranties are consistent with this commitment and our dedication to quality.

LIMITED WARRANTY OF WEN CONSUMER POWER TOOLS PRODUCTS FOR HOME USE

GREAT LAKES TECHNOLOGIES, LLC ("Seller") warrants to the original purchaser only, that all WEN consumer power tools will be free from defects in material or workmanship for a period of two (2) years from date of purchase. Ninety days for all WEN products, if the tool is used for professional use.

SELLER'S SOLE OBLIGATION AND YOUR EXCLUSIVE REMEDY under this Limited Warranty and, to the extent permitted by law, any warranty or condition implied by law, shall be the repair or replacement of parts, without charge, which are defective in material or workmanship and which have not been misused, carelessly handled, or misrepaired by persons other than Seller or Authorized Service Center. To make a claim under this Limited Warranty, you must make sure to keep a copy of your proof of purchase that clearly defines the Date of Purchase (month and year) and the Place of Purchase. Place of purchase must be a direct vendor of Great Lakes Technologies, LLC. Third party vendors such as garage sales, pawn shops, resale shops, or any other secondhand merchant void the warranty included with this product. Contact techsupport@wenproducts.com or 1-800-232-1195 to make arrangements for repairs and transportation.

When returning a product for warranty service, the shipping charges must be prepaid by the purchaser. The product must be shipped in its original container (or an equivalent), properly packed to withstand the hazards of shipment. The product must be fully insured with a copy of the warranty card and/or the proof of purchase enclosed. There must also be a description of the problem in order to help our repairs department diagnose and fix the issue. Repairs will be made and the product will be returned and shipped back to the purchaser at no charge.

This limited warranty does not apply to accessory items that wear out from regular usage over time including belts, brushes, blades, batteries, etc.

A

Any implied warranties shall be limited in duration to two (2) years from date of purchase. Some states in the U.S., Some Canadian provinces do not allow limitations on how long an implied warranty lasts, so the above limitation may not apply to you.

I

In no event shall seller be liable for any incidental or consequential damages (including but not limited to liability for loss of profits) arising from the sale or use of this product. Some states in the U.S. And some Canadian provinces do not allow the exclusion or limitation of incidental or consequential damages, so the above limitation or exclusion may not apply to you.

T

This limited warranty gives you specific legal rights, and you may also have other rights which vary from state to state in the U.S., Province to province in Canada and from country to country.

T

This limited warranty applies only to portable electric tools, bench power tools, outdoor power equipment and pneumatic tools sold within the United States of America, Canada and the commonwealth of Puerto Rico. For warranty coverage within other countries, contact the WEN customer support line.

THANKS FOR REMEMBERING 

INSTRUCTION MANUAL

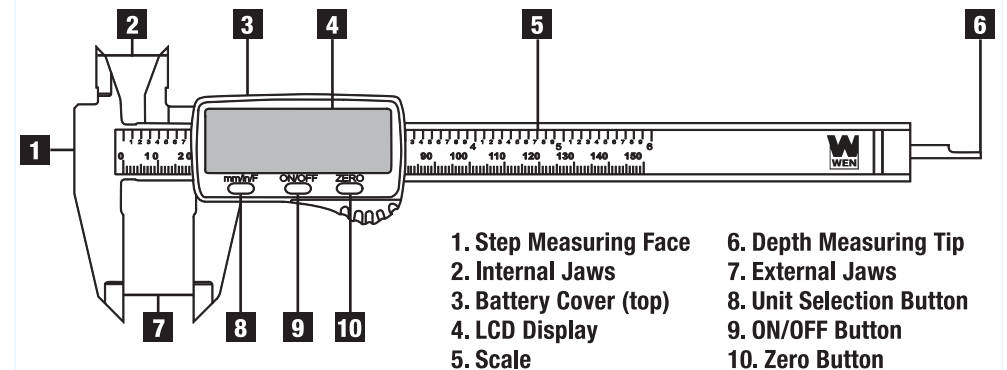


MODEL 10761

DIGITAL CALIPER

CLASSIQUE PIÉ À COULISSE DIGITAL

KNOW YOUR CALIPER



To Install the Battery:

Using a flat-head screwdriver, open the battery cover on the top of the caliper. Insert the included battery with the positive (+) side facing upward. Close the battery cover.

SPECIFICATIONS

Measuring Range	0 – 150mm / 0 – 6"
Resolution	0.01mm / 0.0001" / 1/128"
Power	1 x CR2032 3V Battery
Maximum Humidity	Up to 80% non-condensing
Operating Temperature	0 – 40°C (32 – 104°F)
Storage Temperature	-10 – 60°C (14 – 140°F)

1-800-232-1195

WENPRODUCTS.COM

INSTRUCTION MANUAL

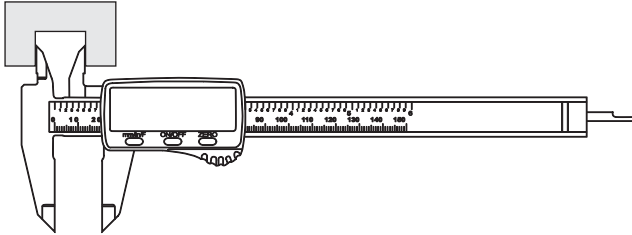
SAFETY PRECAUTIONS

Follow the safety precautions below to reduce the risk of damaging your caliper.

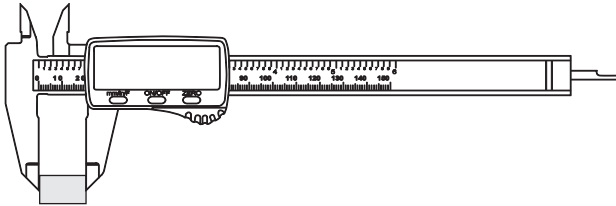
- Avoid exposure to any liquids and excessive humidity.
- Avoid exposure to electromagnetic fields.
- Do not expose the instrument to direct sunlight.
- Do not attempt to disassemble the instrument.

OPERATION - 4 WAY MEASUREMENT

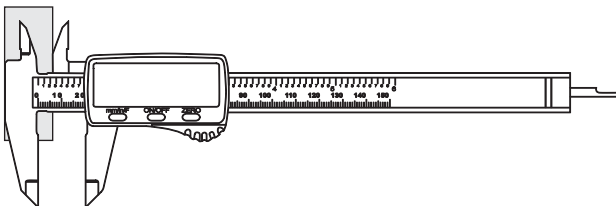
1. Inner Distance Measurement



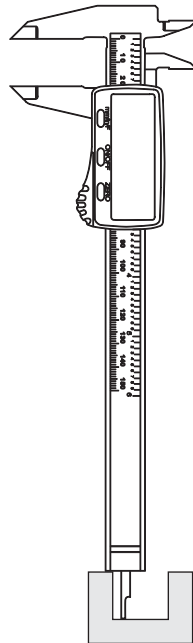
2. Outer Distance Measurement



3. Step Distance Measurement



4. Depth Measurement



INSTRUCTION MANUAL

CLEANING

After each use, wipe clean the caliper with a soft cloth. DO NOT use any type of solvent. DO NOT immerse the caliper in liquid.

Water damage may cause the display to fail. Wipe off the liquid and make sure the area between the slider and the beam has completely dried out. Reset the caliper by removing the battery for 30 seconds. Reinstall the battery and then turn the tool ON.

If the tool fails to work, please contact our customer service at (800) 232-1195, M-F 8-5 CST or email us at techsupport@wenproducts.com.

TROUBLESHOOTING

PROBLEM	SOLUTION
No display	Check battery contacts or replace the battery.
Digits do not display correctly	Reset the caliper: remove the battery for 30 seconds, then reinstall the battery and turn ON the tool.
Digits flashing	Battery power is low. Replace with new battery.

BATTERY REPLACEMENT & WARNINGS

Flashing of the digits on the LCD display indicates the battery power is low. Remove the battery cover and replace with identical battery (positive side facing upward).

⚠ WARNING: Follow the safety instructions below for handling and maintaining batteries.

- Do not short circuit batteries.
- Do not keep batteries near fire, sources of heat, or use in direct sunlight.
- Remove batteries from tool when not being used to an extended period of time.
- Never handle leaked batteries. Do not dismantle batteries.
- Recycle used tool and batteries at your local recycling facility.

NEED HELP? CONTACT US!

Have product questions? Need technical support?
Please feel free to contact us at:

 **800-232-1195 (M-F 8-5 CST)**

 **techsupport@wenproducts.com**

 **WENPRODUCTS.COM**