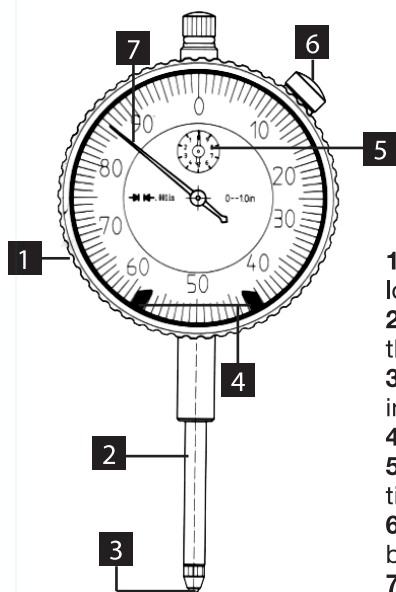


# INSTRUCTION MANUAL



## MODEL 10702 DIAL INDICATOR COMPARATEUR DE PRÉCISION

### KNOW YOUR DIAL INDICATOR



### SPECIFICATIONS

Measuring Range	0 – 1"
Outer Dial Resolution	0.001"
Inner Dial Resolution	0.1"
Mounting Hole Diameter	0.25"

- 1. Bezel (Outside Ring)** - For rotating the 0 marker location of the dial face to align with the needle
- 2. Plunger** - the spring-loaded spindle that transfers the movement of the point to the dial face itself
- 3. Point** - the point of contact between the dial indicator and your subject
- 4. Markers** - adjustable reference points
- 5. Turn Counter/Inner Dial** - counts how many times the big hand rotates around the outer dial
- 6. Bezel Lock** - prevents or allows rotation of the bezel.
- 7. Hand/Pointer** - points to the measured number

### MEASURING RUNOUT

Position the dial indicator so that the plunger's axis is at 90 degrees to the subject. Press the point of the indicator against the subject's surface until the plunger is pressed approximately halfway down. Once in this position, lock the dial indicator into place so it can't move. Next, slowly rotate the subject to see how far left (counterclockwise) and right (clockwise) the needle moves. Do this for one full rotation, noting when the needle reaches its leftmost point. Once you have confirmed which point this is, set the bezel so the 0 of the dial face matches this point. Now rotate the subject at least one more full rotation. The farthest the needle goes to the right signifies the subject's runout.

# WARRANTY STATEMENT

**WEN Products is committed to building tools that are dependable for years. Our warranties are consistent with this commitment and our dedication to quality.**

## LIMITED WARRANTY OF WEN CONSUMER POWER TOOLS PRODUCTS FOR HOME USE

GREAT LAKES TECHNOLOGIES, LLC ("Seller") warrants to the original purchaser only, that all WEN consumer power tools will be free from defects in material or workmanship for a period of two (2) years from date of purchase. Ninety days for all WEN products, if the tool is used for professional use.

**SELLER'S SOLE OBLIGATION AND YOUR EXCLUSIVE REMEDY** under this Limited Warranty and, to the extent permitted by law, any warranty or condition implied by law, shall be the repair or replacement of parts, without charge, which are defective in material or workmanship and which have not been misused, carelessly handled, or misrepaired by persons other than Seller or Authorized Service Center. To make a claim under this Limited Warranty, you must make sure to keep a copy of your proof of purchase that clearly defines the Date of Purchase (month and year) and the Place of Purchase. Place of purchase must be a direct vendor of Great Lakes Technologies, LLC. Third party vendors such as garage sales, pawn shops, resale shops, or any other secondhand merchant void the warranty included with this product. Contact [techsupport@wenproducts.com](mailto:techsupport@wenproducts.com) or 1-800-232-1195 to make arrangements for repairs and transportation.

When returning a product for warranty service, the shipping charges must be prepaid by the purchaser. The product must be shipped in its original container (or an equivalent), properly packed to withstand the hazards of shipment. The product must be fully insured with a copy of the warranty card and/or the proof of purchase enclosed. There must also be a description of the problem in order to help our repairs department diagnose and fix the issue. Repairs will be made and the product will be returned and shipped back to the purchaser at no charge.

This limited warranty does not apply to accessory items that wear out from regular usage over time including belts, brushes, blades, batteries, etc.

Any implied warranties shall be limited in duration to two (2) years from date of purchase. Some states in the U.S., Some Canadian provinces do not allow limitations on how long an implied warranty lasts, so the above limitation may not apply to you.

In no event shall seller be liable for any incidental or consequential damages (including but not limited to liability for loss of profits) arising from the sale or use of this product. Some states in the U.S. And some Canadian provinces do not allow the exclusion or limitation of incidental or consequential damages, so the above limitation or exclusion may not apply to you.

This limited warranty gives you specific legal rights, and you may also have other rights which vary from state to state in the U.S., Province to province in Canada and from country to country.

This limited warranty applies only to portable electric tools, bench power tools, outdoor power equipment and pneumatic tools sold within the United States of America, Canada and the commonwealth of Puerto Rico. For warranty coverage within other countries, contact the WEN customer support line.

### NEED HELP? CONTACT US!



**800-232-1195 (M-F 8-5 CST)**



**[techsupport@wenproducts.com](mailto:techsupport@wenproducts.com)**



**WENPRODUCTS.COM**