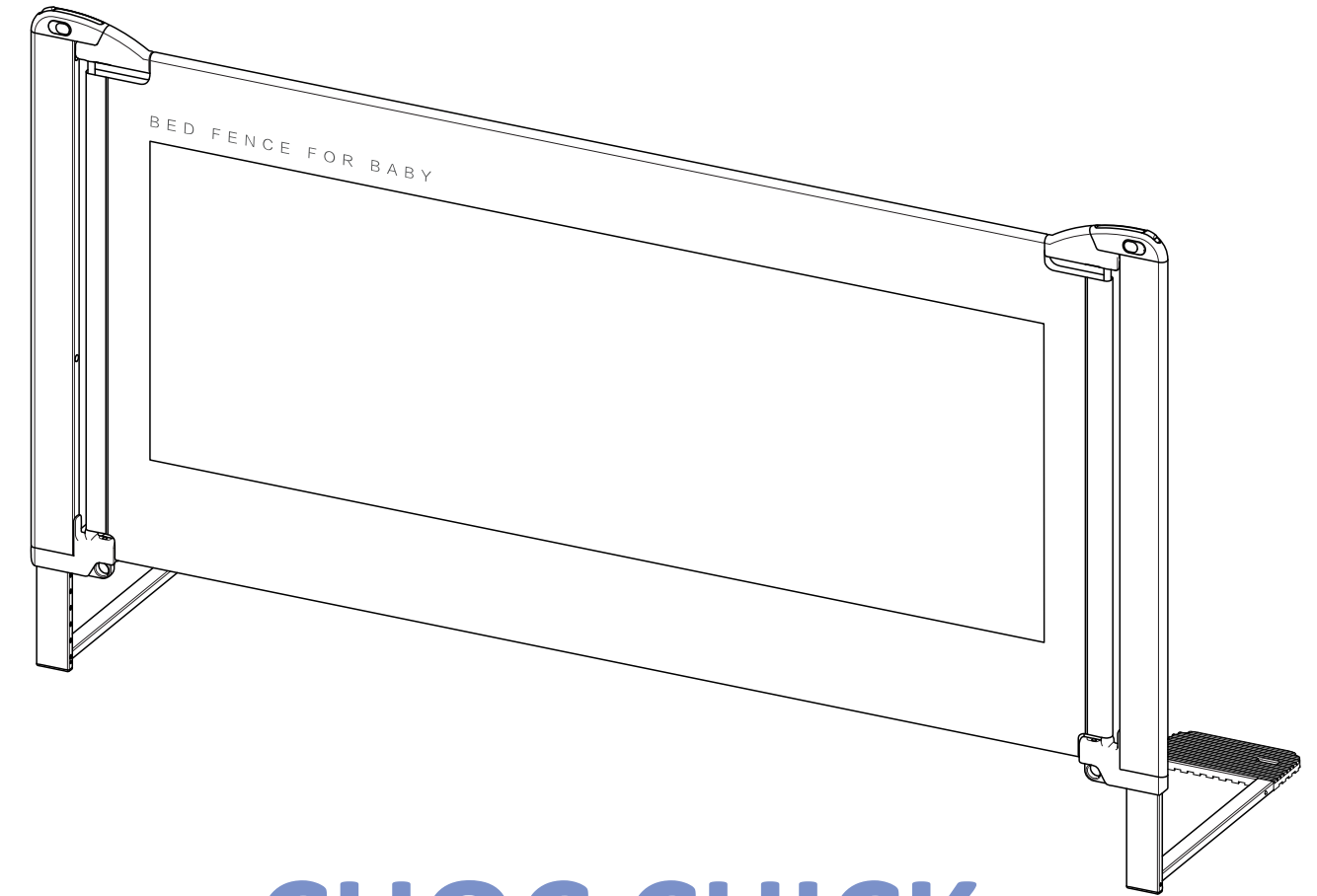


CHOC CHICK

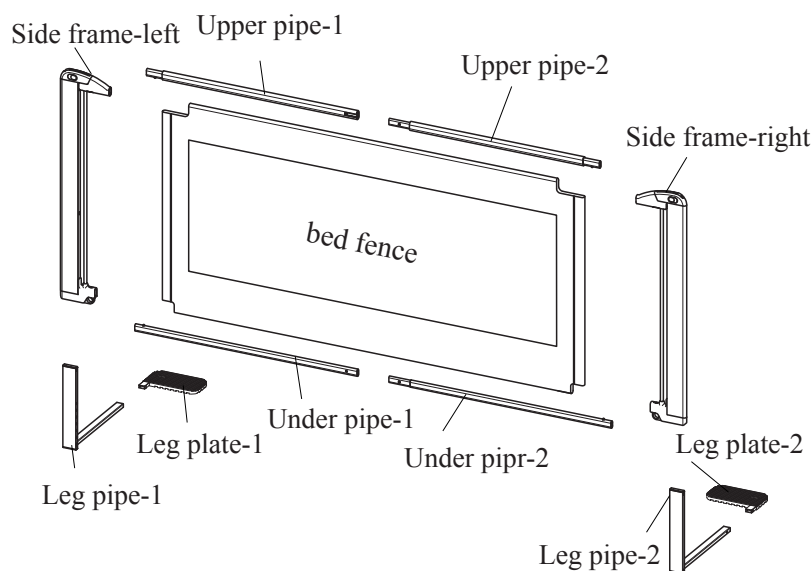
Important Information, please keep it for further reference. Please read carefully
Excutive Standard: Q/EXB 001-2019



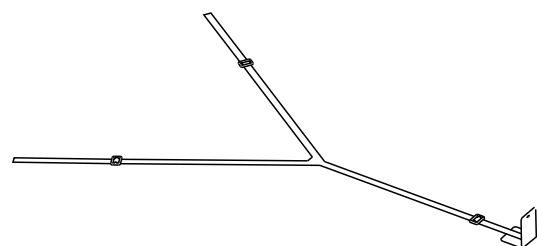
CHOC CHICK
BED FENCE

• PARTS LIST

Exploded Picture

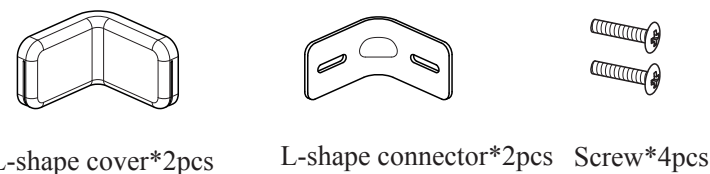


Fixing belt



Connector Parts

Connect 2 or 2 more bed rails to need connetors.
(They are sold seperately)



Maintainence

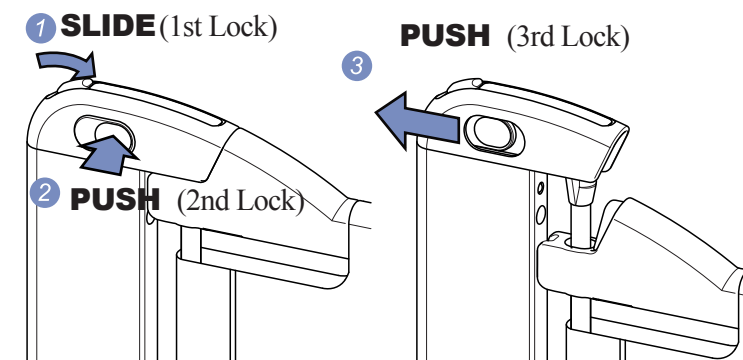
1. Before use, please check whether the parts are complete, whether the installation is in place, and whether the combination connection is loose.
2. When assembling and disassembling, please strictly follow the instructions in the product manual to avoid unnecessary damage.
3. Wipe gently with warm water when cleaning. Do not use any detergent, solvent or other highly potent soap.
4. The accessories of this product can only be obtained from the chocchick brand, please contact Hangzhou Erxiangbo Information Technology Co., Ltd.

After-sale Service

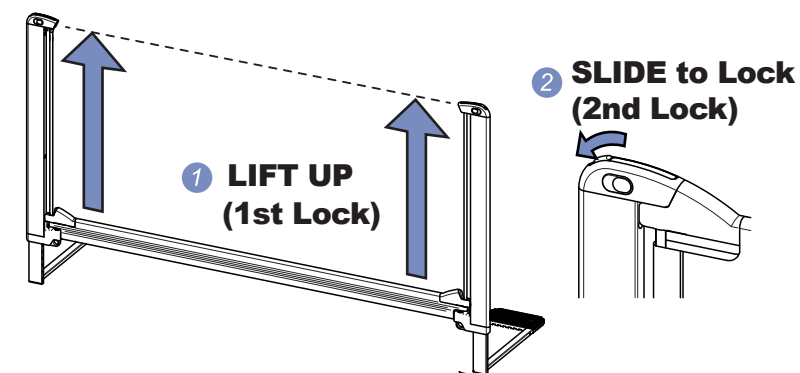
Our products are finally in your hands after a rigorous quality inspection. If you encounter any problems, please feel free to contact us.
 Manufacturer: Hangzhou Erxiangbo Information Technology Co., Ltd
 Address: 1-502 Xigang development center, west lake disrtice, Hangzhou City, Zhejiang Province, China
 Country of Origin: China
 Contact Tel: 0571-81902790

• Operation

Unlock Triple child lock design and 3 times operation to unlock



Lock 2 operations to double lock it



Attention & Caution informations

Please read the following carefully. Failure to follow these warnings and instructions will result in serious injury.

Warning: Don't leave anything that may be a stepping foot or causing suffocation, strangling in the bed fence;

Warning: Near this product, avoid open flames and other strong power sources, such as electric sparks, gas fires, etc.; if any part of this product is damaged, torn or lost, don't continue to use it;

Warning: When a child starts standing with his or her hands or knees, there is a risk of entanglement or strangle if the toy is not removed;

Warning: Do not leave the child unattended while the child is playing on the bed with this product

- Before use, please make sure that both ends of the upper pipe fittings are connected and locked to side frames;
- This bed rail is suitable for children aged 0-5, not suitable for children over 5 years old;
- This bed rail is not suitable for the elderly, the weak and used in non-domestic environments;
- The bed rail is only for assembling on the bed. Other ways of using are not recommended;
- The bed rail is not a substitute for a light, small bed because the it cannot be the same safe as a small bed;
- The bed rail is suitable for the bed with a minimum length of 1500mm. When it is used together with the bed and mattress, the risk of the baby falling outside the bed can be reduced;

• The bed rail cannot be used for the bed with a mattress surface of 600mm above the ground;

The min thickness of the mattress suitable for the bed rail is: 100mm; the max is 300mm;

The height of the bed rail must be at least 500mm above the mattress surface at any angle;

• The bed rail needs to be bound to the bed/mattress with a fixed belt; and it needs to be checked for proper installation and proper binding before use; it must be checked regularly for its overall condition, especially the safety of any locking device on the product. Ensure it is functioning properly before continuing to use;

• The bed rail shall be installed and bound according to the user's guide, and it shall be closely attached to the mattress. The gap between bed rail and mattress shall not exceed 10mm.

• The distance between the under pipe part of the bed rail and the surface of the mattress shall not exceed 70mm. Please be alert to the safety accident caused by the gap between the child's limb and the bed rail;

• This product may be damaged if it is used improperly or when it is hit by sharp or hard objects; Do not use brute force to press or pull after installation of this product, otherwise it will cause damage to it; Do not add any lubricants or other chemicals to this product;

• After the installation, please dispose of the packaging materials such as straps and plastic bags in time, and do not use them as children's toys to avoid danger;

• As a safety accessory, this product is not a complete suitable for all kinds of special-shaped beds and mattresses. It is strictly forbidden to use when the bed rail does not match the mattress;;

• The bed rail width is 1470mm, the fitted mattress length should be not less than 1490-1520mm;

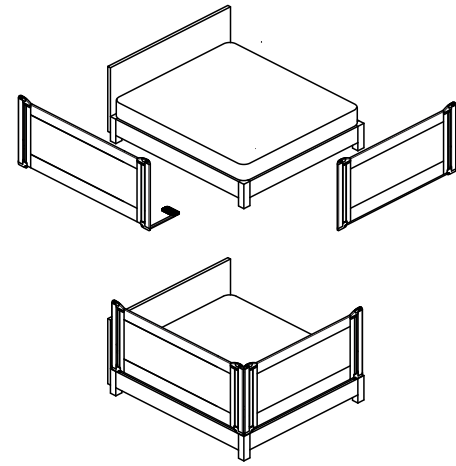
• The bed rail width is 1770mm, the fitted mattress length should be not less than 1790-1820mm;

• The bed rail width is 1970mm, the fitted mattress length should be not less than 1990-2020mm;

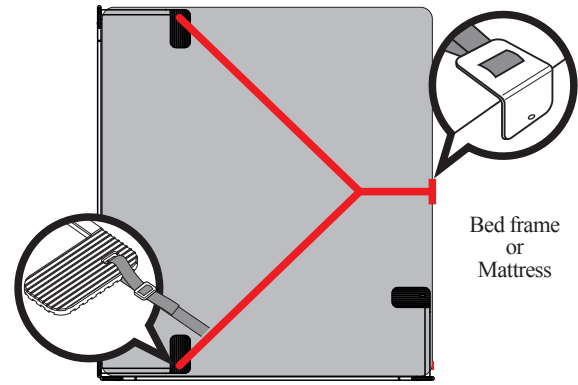
• It is recommended to buy 2-4 pieces of the bed rail. The combined use is safer.

• Instruction

■ Fixing method for 2pc panel with bed

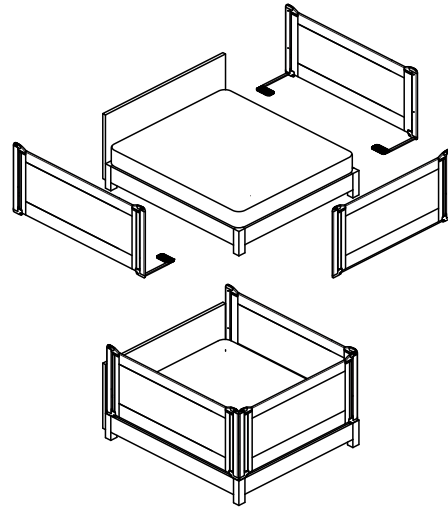


⚠ Use Fixing belt to fix the Bed fence to safety

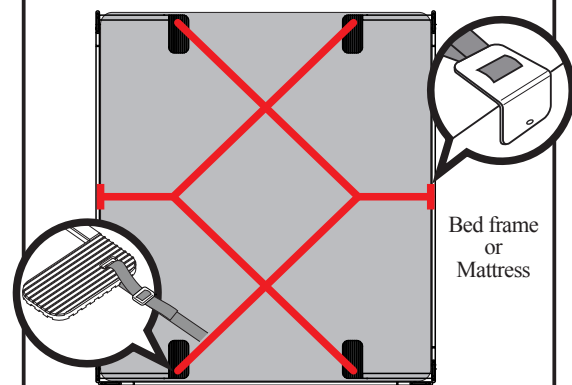


Bed frame or Mattress

■ Fixing method for 3pc panel with bed

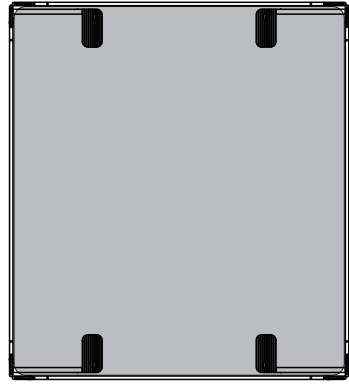
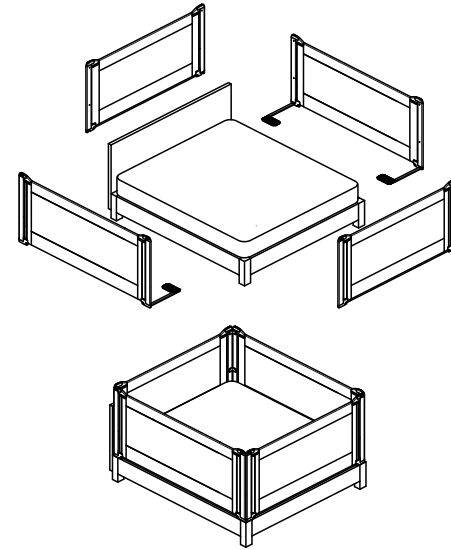


⚠ Use Fixing belt to fix the Bed fence to safety



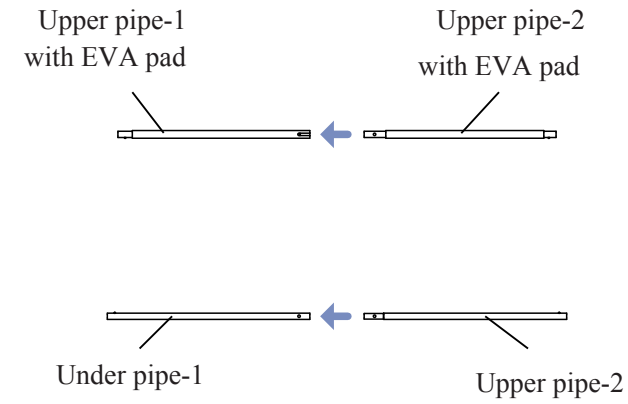
Bed frame or Mattress

■ Fixing method for 4pcs panels with bed

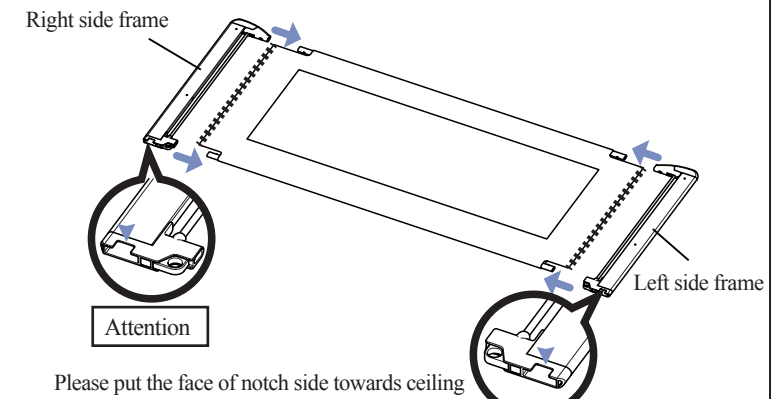


• Assembly Method

1 Connect 2 upper pipes and 2 under pipes according to photo



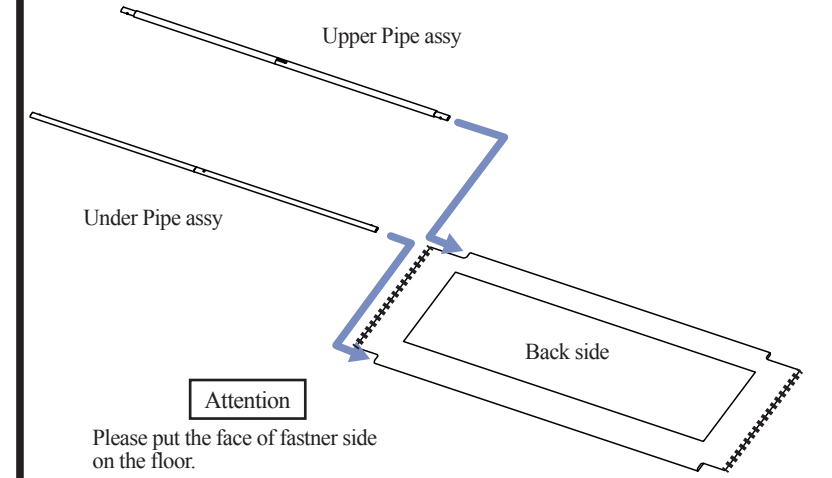
3 Connect the Side frames



Attention

Please put the face of notch side towards ceiling

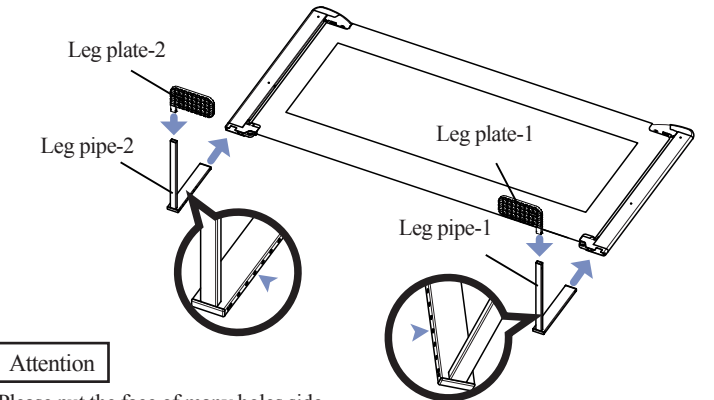
2 Upper pipe assy and Under pipe assy through the Fabric fence



Attention

Please put the face of fastener side on the floor.

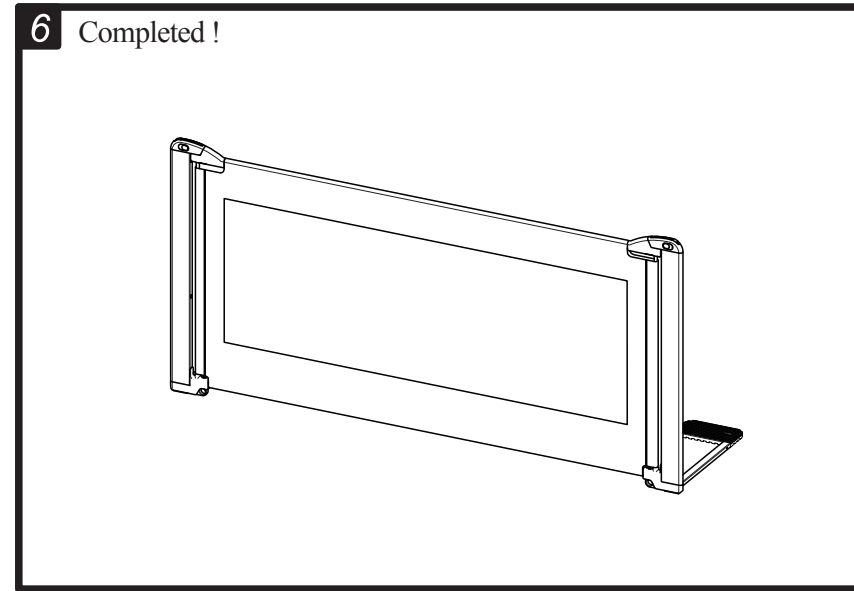
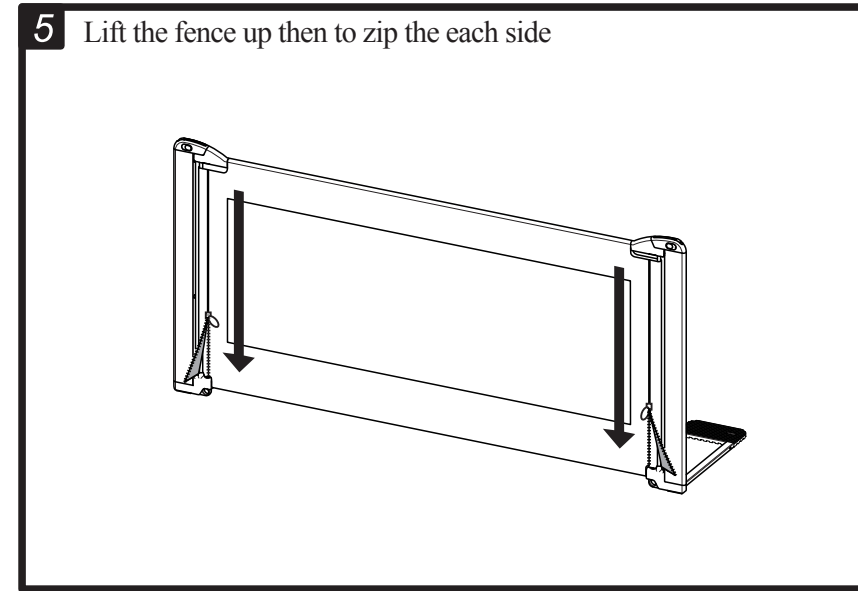
4 Connect the Leg pipe and Leg plate with each side frame



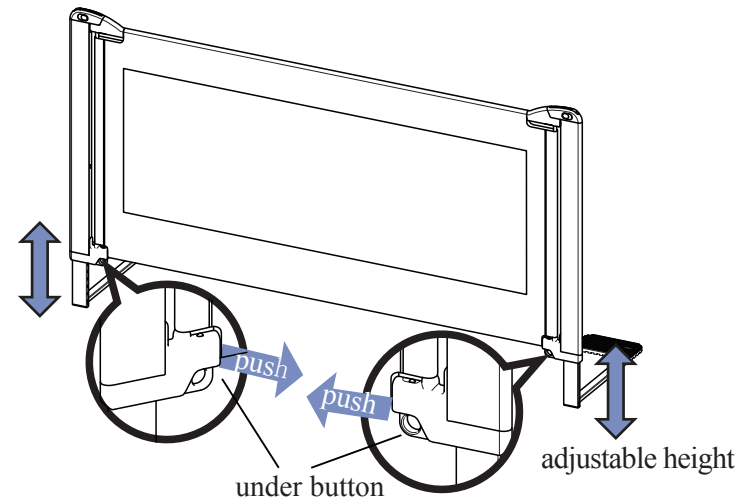
Attention

Please put the face of many holes side towards the inner side

• Assembly Method

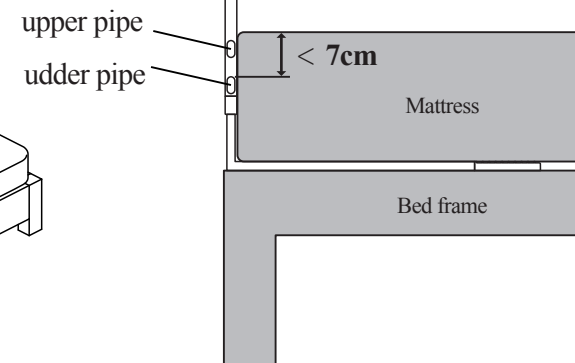


7 Select the appropriate hole according to the thickness of the mattress

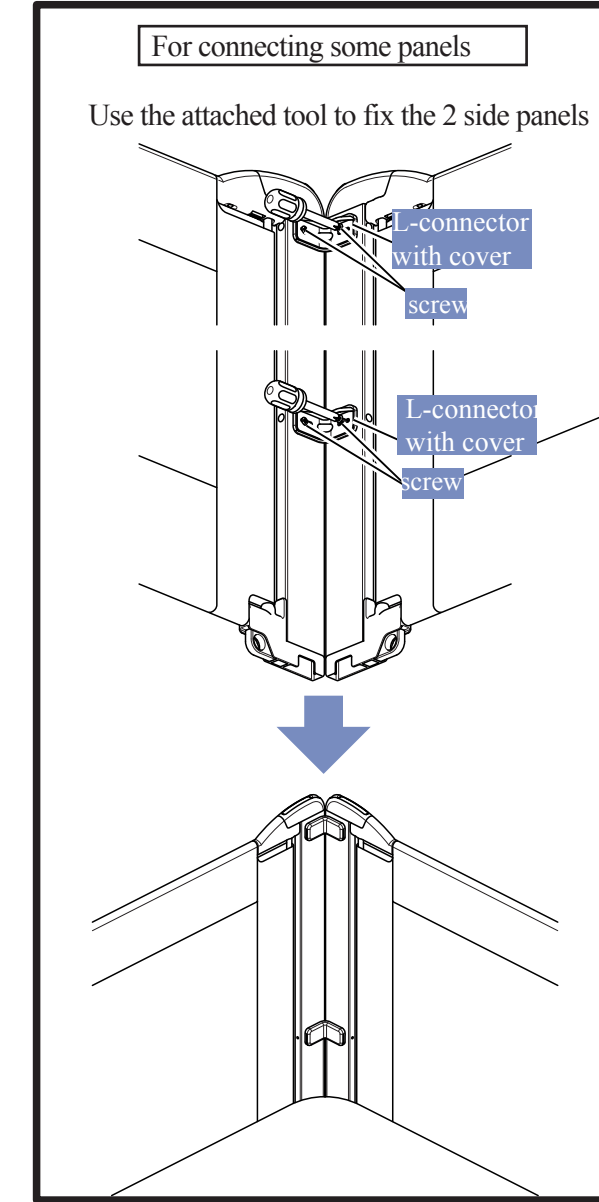


3

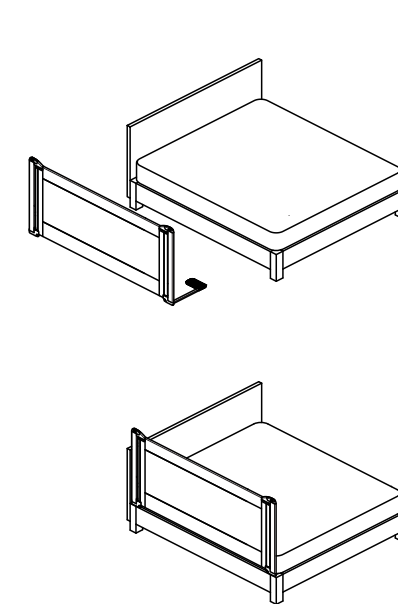
⚠ Caution
For your child safety, between Under pipe to Matheress should keep 7cm below



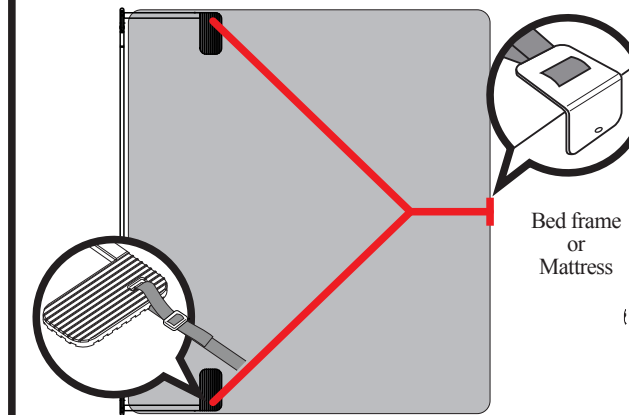
• Assembly Method



■ Fixing method for 1pc panel with bed

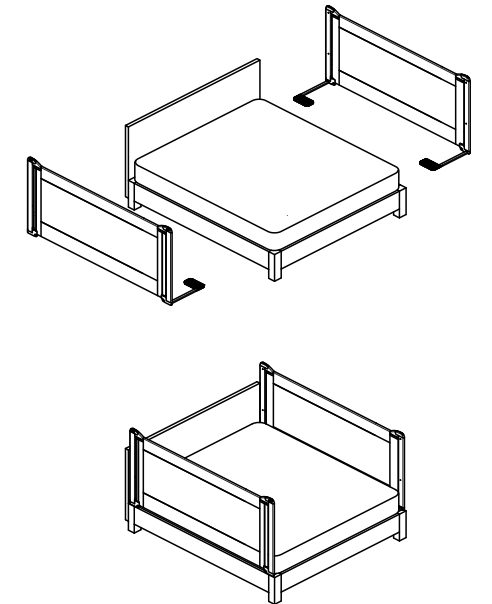


⚠ Use Fixing belt to fix the Bed fence to safety



4

■ Fixing method for 2pcs panels with bed



⚠ Use Fixing belt to fix the Bed fence to safety

