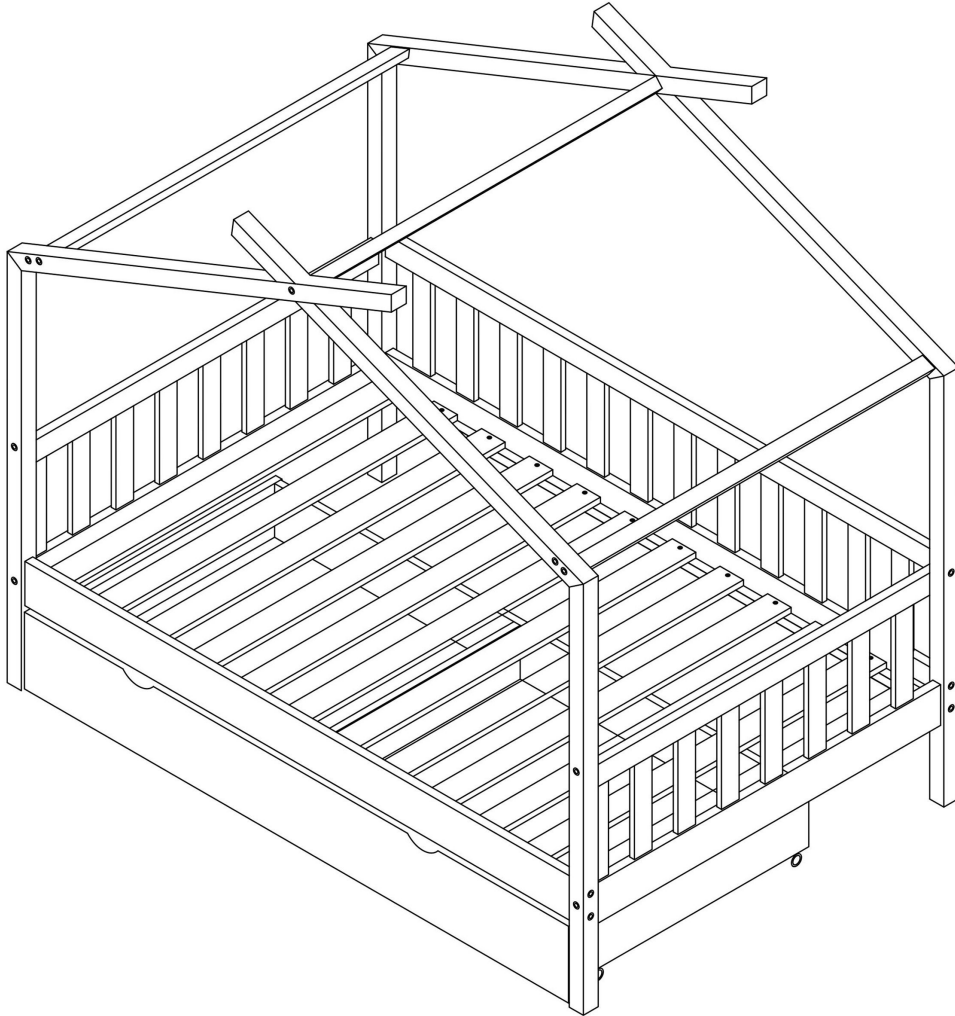


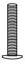








BONJOURBABY

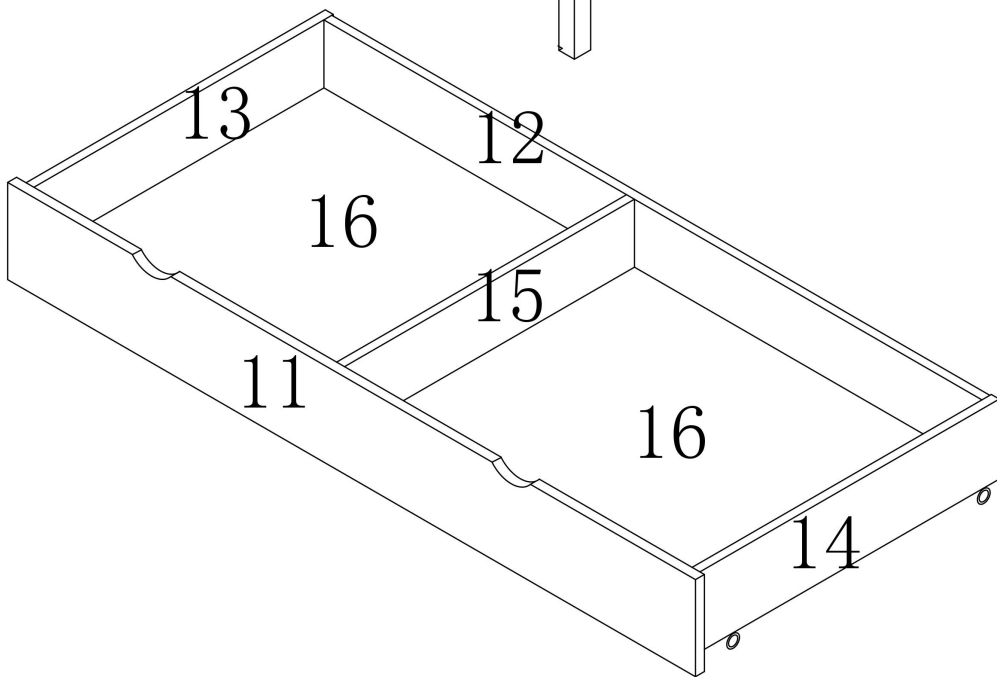
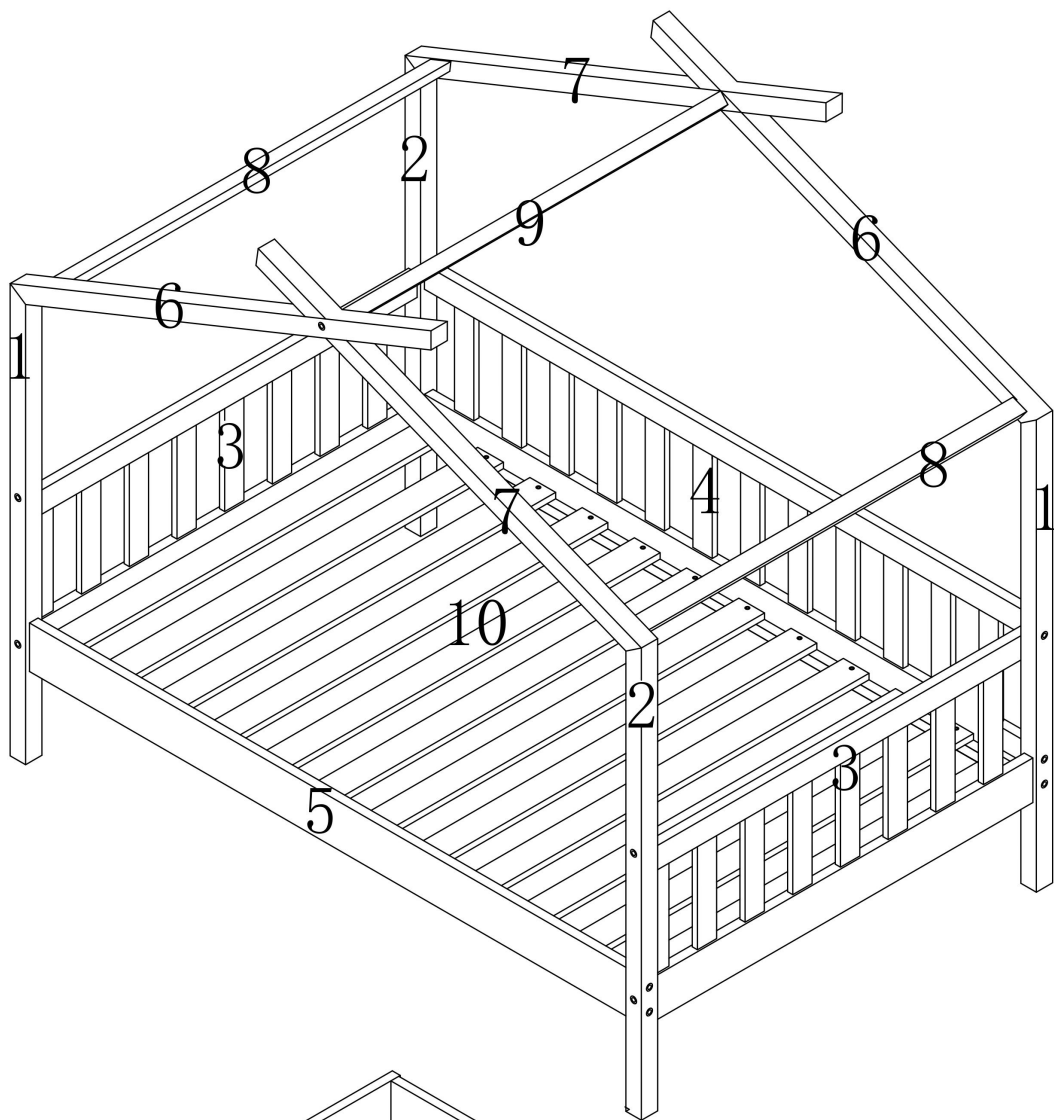
COZY CABIN

ASSEMBLY INSTRUCTIONS

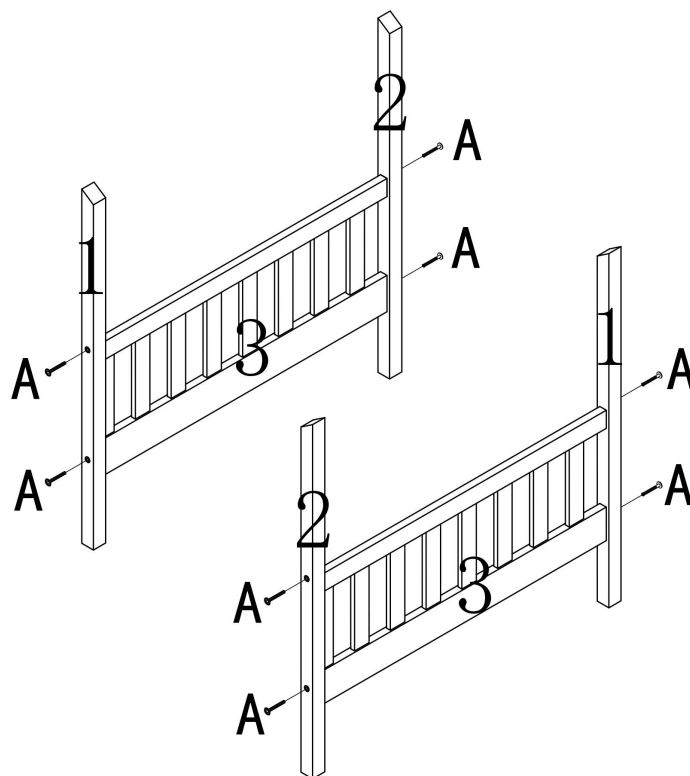


HARDWARE

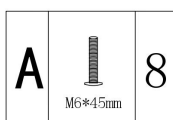
AX28	BX12	CX24	DX12	EX8	FX8	GX6	HX1	IX1
								
M6*45mm	φ4*35mm	φ4*25mm	φ3*16mm					



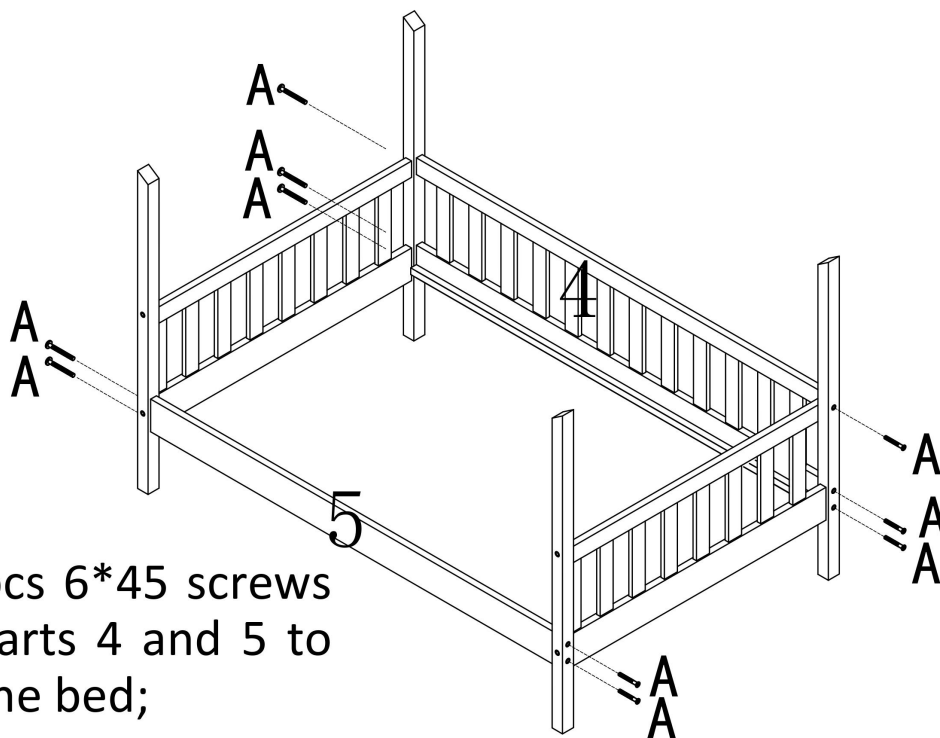
01



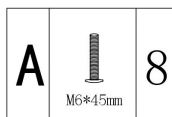
1. Connect parts 1, 2 and 3 with 8 pcs 6*45 screws;



02

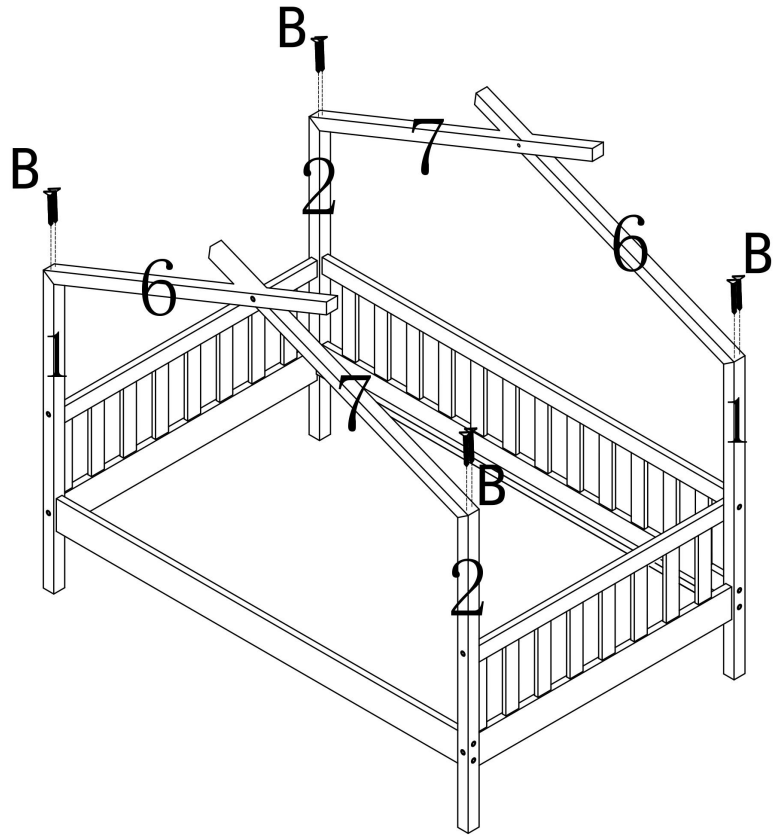
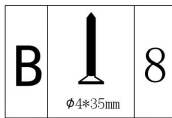


2. Use 10pcs 6*45 screws to connect parts 4 and 5 to the head of the bed;



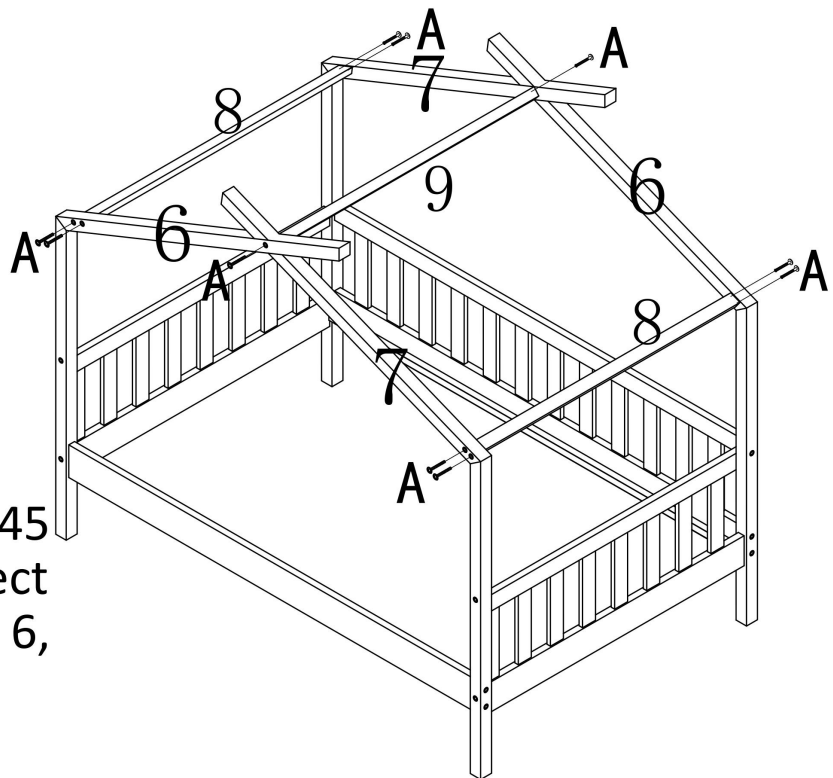
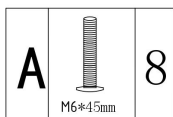
03

3. Close 6 and 7 first, and fix parts 6 and 7 to parts 1 and 2 with 8pcs 4*35 screws;

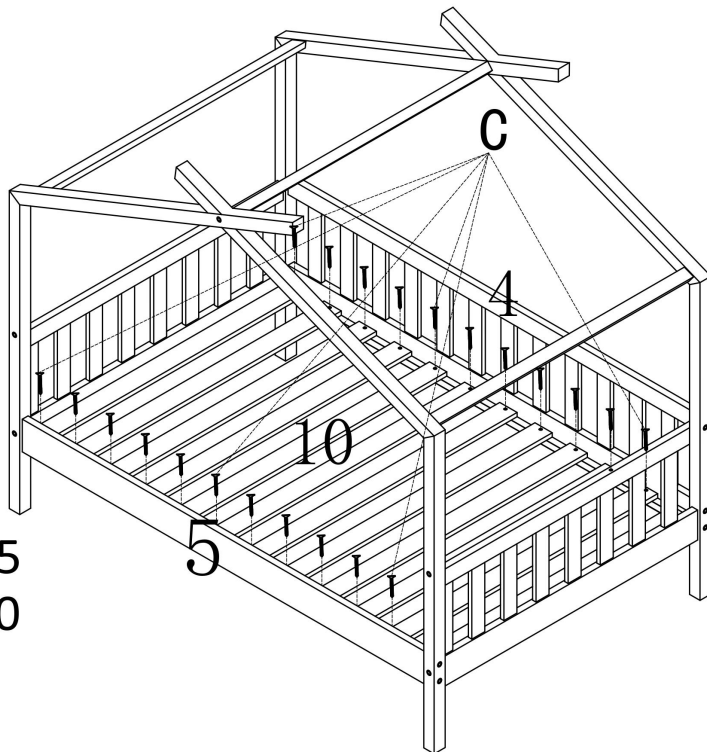


04


4. Use 10pcs 6*45 screws to connect parts 8, 9 to parts 6, 7;



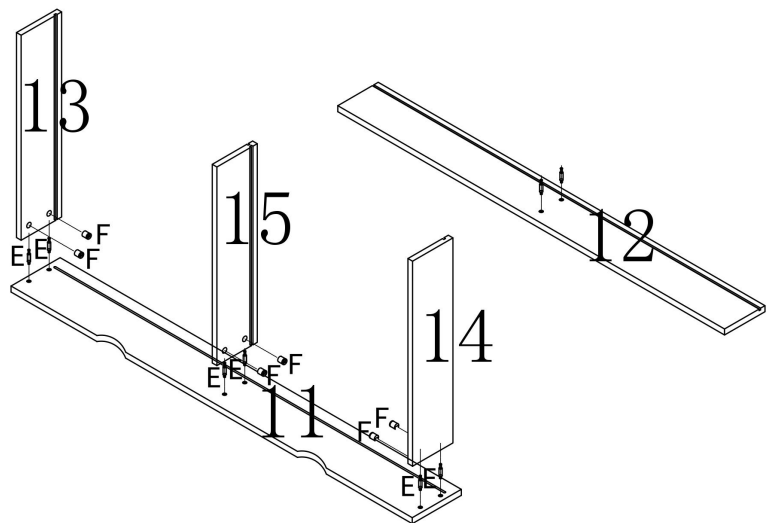
05



5. Use 24pcs 4*25 screws to lock part 10 on parts 4 and 5;

C		24
<small>φ4*25mm</small>		

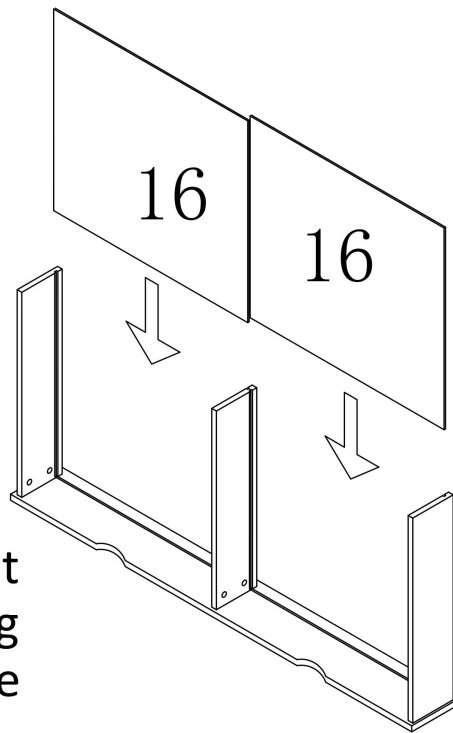
06



E		8
F		6
H		1




6. Use tool H to lock 8 E screws on parts 11 and 12, insert parts 13, 14, and 15 on E part, and use tool H to lock the 6 F parts respectively;

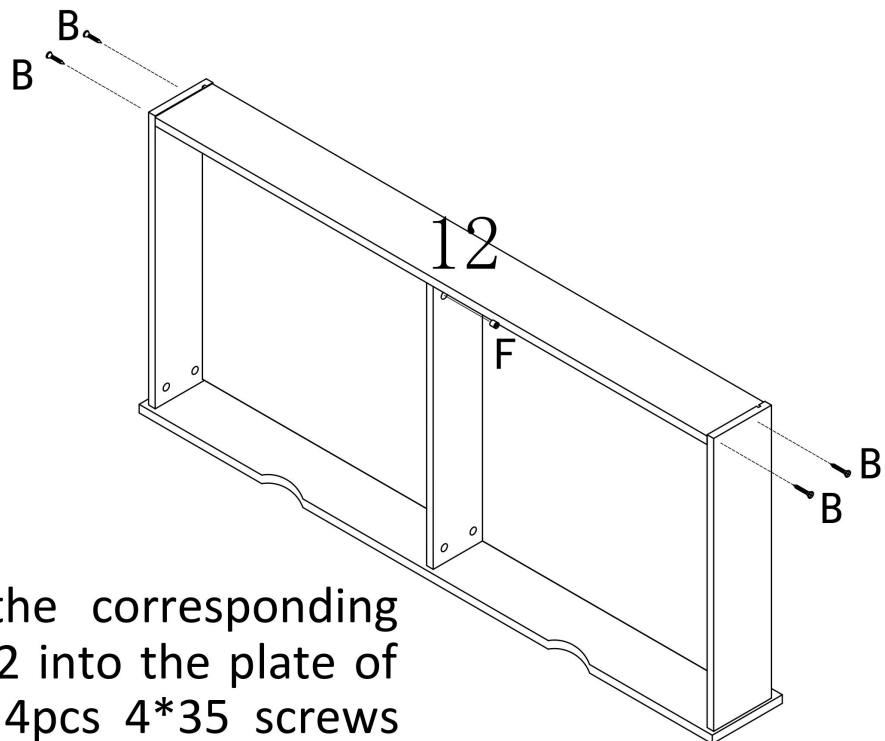
07



7. Snap the component 16 into the corresponding slot in the direction of the arrow;

08

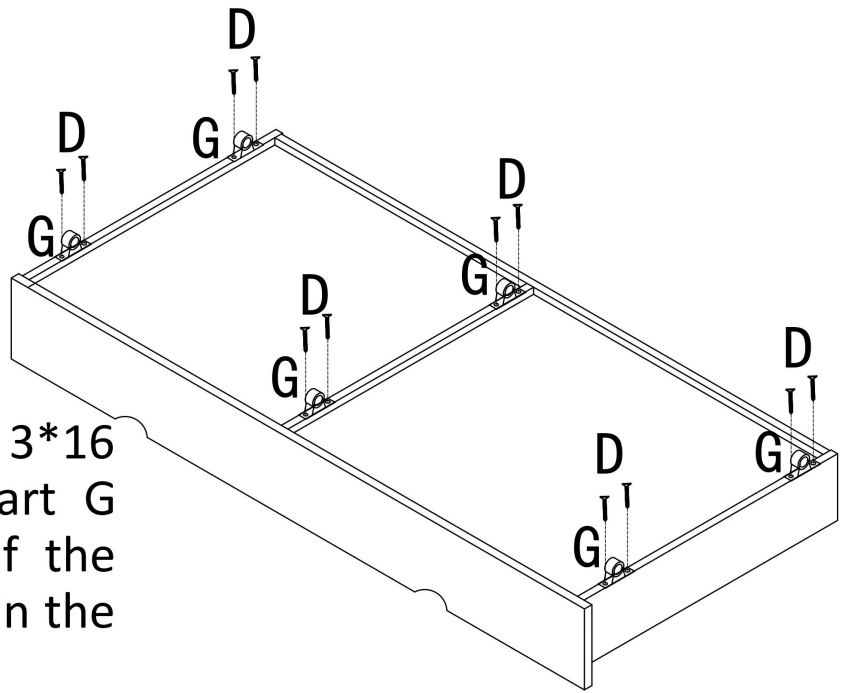
B		4
F		2
H		1





8. Clamp the corresponding slot of part 12 into the plate of part 16, use 4pcs 4*35 screws to lock the two ends of part 12, and then use 2 F parts to lock according to the operation method in step 6;

6

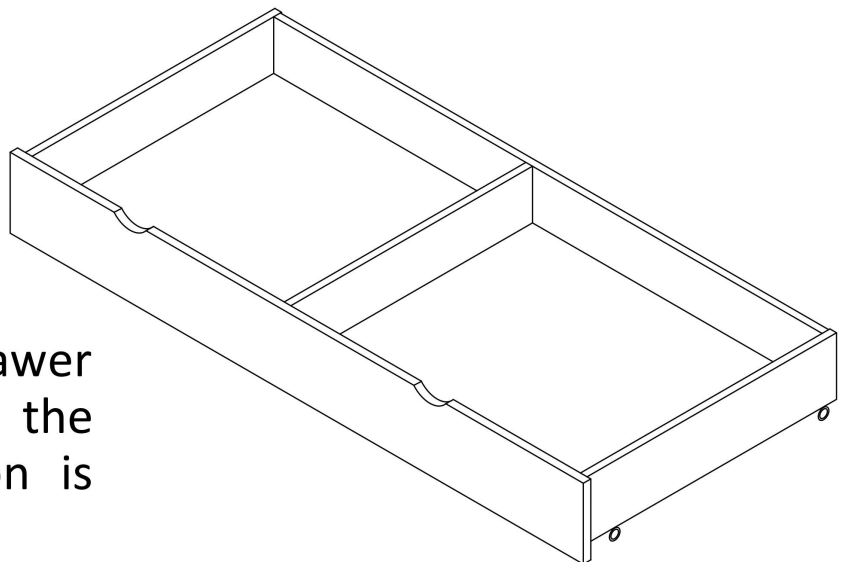
09



9. Use 12pcs 3*16 screws to lock part G on the bottom of the drawer as shown in the figure;

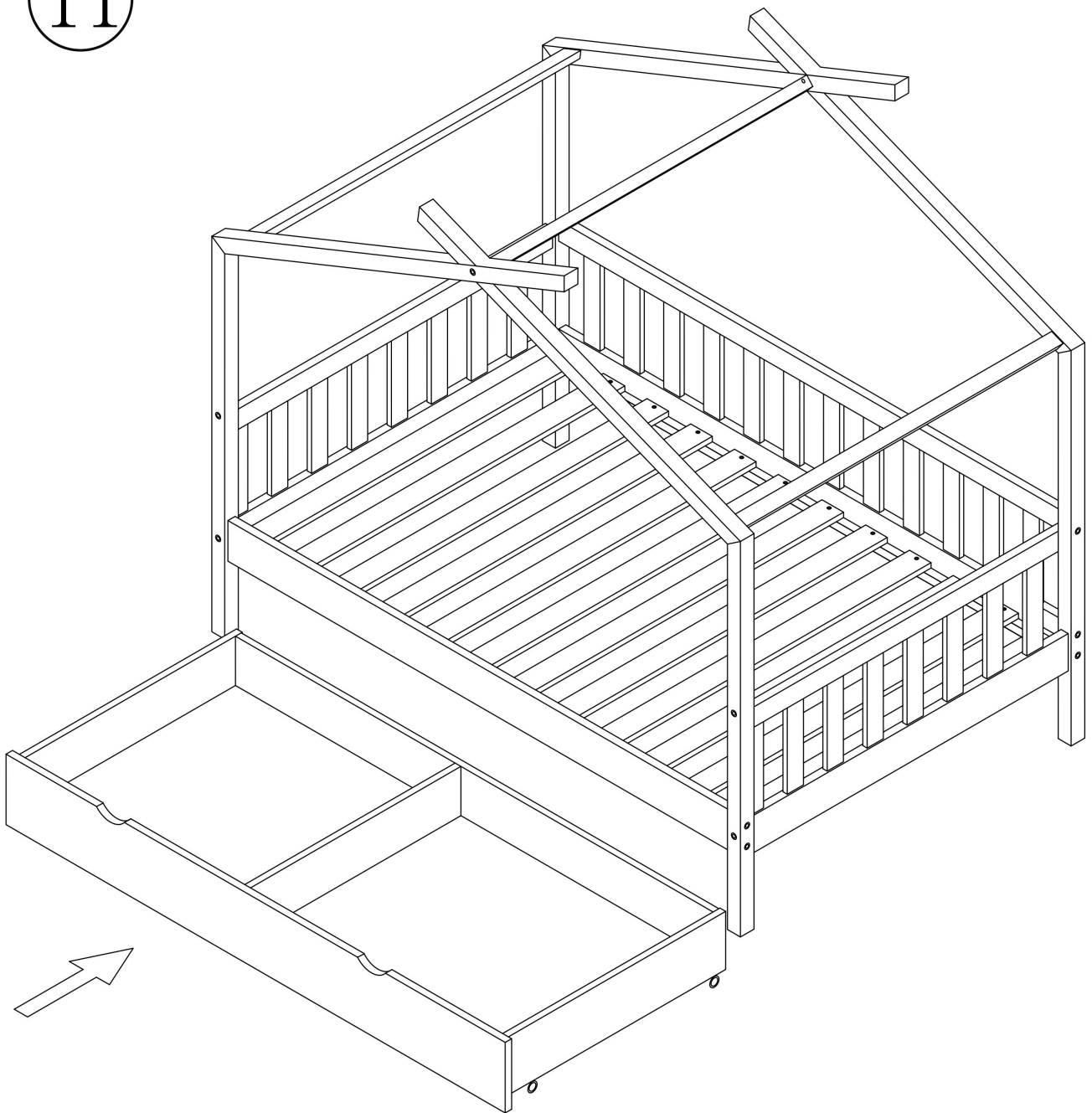
D	 Φ3*16mm	12
G		6

10



10. Turn the drawer to the front, and the drawer installation is complete;

11



11. Push the drawer under the bed in the direction of the arrow to assemble the whole bed.