

Hinge systems



- ▶ CLIP top BLUMOTION | CLIP top – hinges
- ▶▶ Wide angled application

Hinge systems

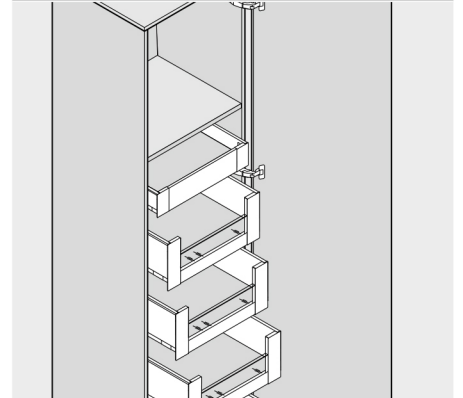
155° hinge



- 0-protrusion for overlay application (for cabinets with inner pull-outs or pull-out shelves)
- CLIP top BLUMOTION with integrated BLUMOTION (with deactivation option)
- CLIP top with or without closing mechanism (spring)
- 155° opening angle
- 3-dimensional front adjustment
- Convenient spiral-tech depth adjustment
- Tool-free door to cabinet assembly and removal
- With INSERTA tool-free hinge to door assembly
- Suitable for special applications, e.g. mitred doors

Webcode
DQDHEM

Application



Order information

Overlay application

0-protrusion

Boss		INSERTA		
Hinge	Spring	Colour	Part no.	
CLIP top BLUMOTION	●	NI ONS	71B7590	
CLIP top	●	NI	71T7590	
CLIP top	○	NI ONS	70T7590.TL	
● With spring	NI	Nickel plated		
○ Unsprung	ONS	Onyx black		

Dual application

Boss		INSERTA		
Hinge	Spring	Colour	Part no.	
CLIP top BLUMOTION	●	NI ONS	71B7690	
CLIP top	○	NI	70T7690.TL	
● With spring	NI	Nickel plated		
○ Unsprung	ONS	Onyx black		

Inset application

For inset application use hinges for twin application and a 9 mm spaced mounting plate

Boss		Screw-on		
Hinge	Spring	Colour	Part no.	
CLIP top BLUMOTION	●	NI ONS	71B7550	
CLIP top	●	NI	71T7550	
CLIP top	○	NI ONS	70T7550.TL	

Boss		Screw-on		
Hinge	Spring	Colour	Part no.	
CLIP top BLUMOTION	●	NI	71B7650	
CLIP top	●	NI	71T7650	
CLIP top	○	NI	70T7650.TL	

Boss		Knock-in		
Hinge	Spring	Colour	Part no.	
CLIP top BLUMOTION	●	NI ONS	71B7580	
CLIP top	●	NI	71T7580	

Accessories

Hinge arm cover cap			
Print stamp	Logo	Colour	Part no.
Plain	–	NI ONS	70.4503
Stamped	Blum	NI	70.4503.BP

Accessories

Hinge arm cover cap			
Print stamp	Logo	Colour	Part no.
Plain	–	NI ONS	70.4503
Stamped	Blum	NI	70.4503.BP

Note

A trial application is recommended when combining CLIP top BLUMOTION hinges and CLIP top hinges with springs on small, light fronts up to 300 mm wide. Combining these is not recommended for wider front widths FB.

Accessories – general

Opening angle stop		
Opening angle	Colour	Part no.
92°	Dark grey	70T7553.09
110°	R7037	70T7553

Hinge boss cover cap		
Hinge	Colour	Part no.
CLIP top BLUMOTION	NI ONS	70T7504
CLIP top	NI ONS	70T7504
NI Nickel plated	ONS Onyx black	

Chipboard screws		
Ø (mm)	Length (mm)	Part no.
3.5	15	609.1500
3.5	17	609.1700

TIP-ON for doors		
Version	Spring	Part no.
Short version	○	956.1004
Extended version	○	956A1004
Extended version	●	956A1006
● With spring	○ Unsprung	

Hinge boss spacing		
Hinge	Spacing (mm)	Part no.
CLIP top BLUMOTION	1.5	70T3507.21
CLIP top	1.5	70T3507.21

Insertion ram		
Colour	Material	Part no.
Orange	Nylon	MZM.0040

155° hinge

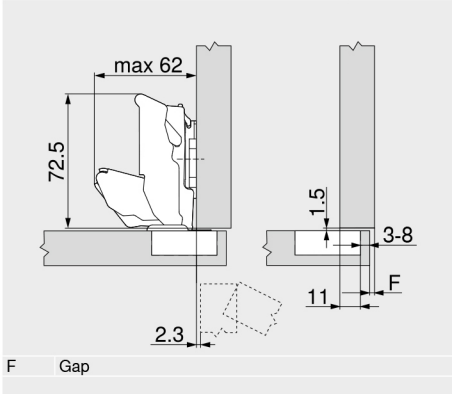
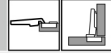
Webcode
DQDHEM

Planning

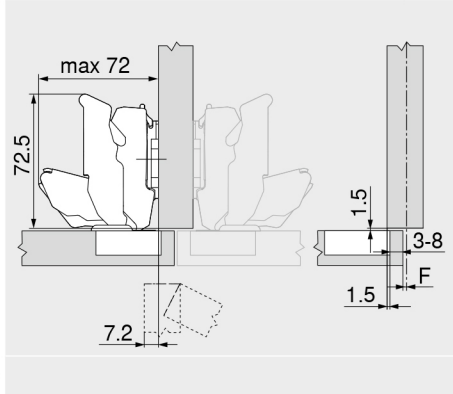
Hinge dimensions and gap calculation based on factory setting (mounting plate spacing = 0 or 9 mm)

Hinge and front protrusion at 90° opening angle

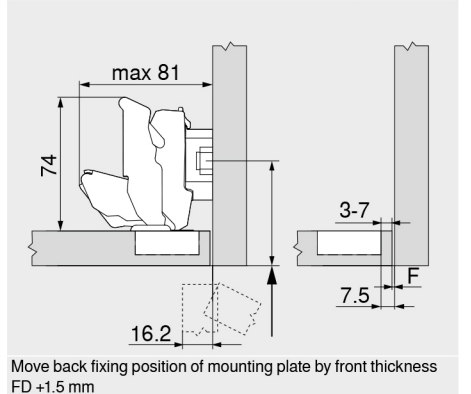
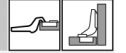
Overlay application
0-protrusion



Dual application



Inset application



Drilling distance TB

MD	Front overlay FA (mm)																		
	5	6	7	8	9	10	11	12	13	14	15	16	17	18	19				
0											3	4	5	6	7	8			
3												3	4	5	6	7	8		
6													3	4	5	6	7	8	
9	3	4	5	6	7	8													

MD Mounting plate spacing (mm)

MD	Front overlay FA (mm)																		
	-4.5	-3.5	-2.5	-1.5	-0.5	0.5	1.5	2.5	3.5	4.5	5.5	6.5	7.5	8.5	9.5				
0																			
3																			
6																			
9	3	4	5	6	7	8													

MD Mounting plate spacing (mm)

MD	Front overlay FA (mm)				
	-4.5	-3.5	-2.5	-1.5	-0.5
0					
3					
6					
9	3	4	5	6	7

MD Mounting plate spacing (mm)

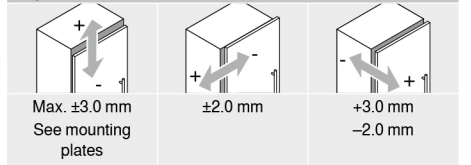
Minimum gap F for fronts with a front radius (R = 1 mm) based on the factory setting

Drilling distance TB (mm)	Front thickness FD (mm)											
	20	21	22	23	24	25	26	27	28	29	30	31
3	0	0	0	0	0	0.5	0.5	1.0	2.0	2.0	3.0	4.5
4	0	0	0	0	0	0.5	1.0	2.0	2.0	2.5	4.0	
5	0	0	0	0	0	0.5	1.0	2.0	2.0	3.5		
6	0	0	0	0	0	1.0	1.5	2.0	3.0			
7	0	0	0	0	0	1.0	1.5	2.5				
8	0	0	0	0	0	1.0	1.5					

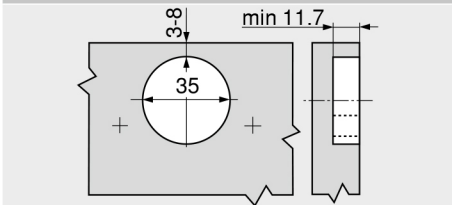
We recommend a trial application for an overlay application against a wall

- 110° Opening angle stop
- 92° Opening angle stop

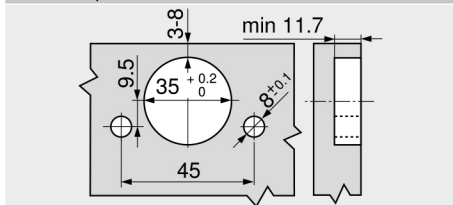
Adjustment



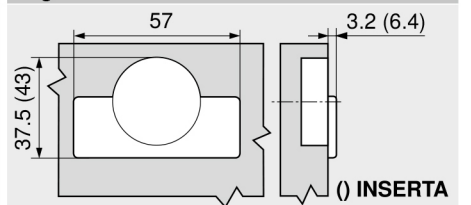
Screw-on



INSERTA | knock-in



Hinge boss dimensions



Page instructions

Overview – CLIP top BLUMOTION CLIP top – hinges	75
Mounting plates	156
Accessories – hinge arm cover cap	164
Accessories – general	166
Overview – BLUMOTION for doors	171

Overview – TIP-ON for doors	185
Overview – assembly devices	561
More technical details	662

Assembly, removal and adjustment

Short-URL
www.blum.com/a210