

Hinge systems



- ▶ CLIP top BLUMOTION | CLIP top – hinges
- ▶▶ Standard application

Hinge systems

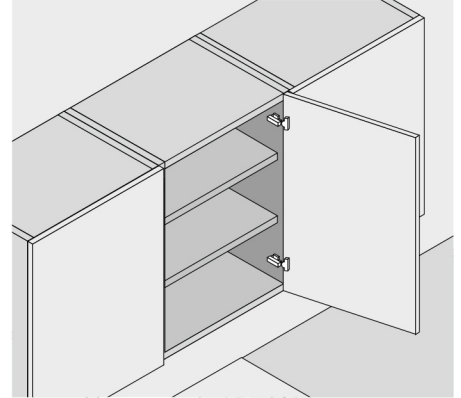
110° hinge



- CLIP top BLUMOTION with integrated BLUMOTION (with deactivation option)
- CLIP top with or without closing mechanism (spring)
- 110° opening angle
- 3-dimensional front adjustment
- Convenient spiral-tech depth adjustment
- Tool-free door to cabinet assembly and removal
- With INSERTA tool-free hinge to door assembly

Webcode
DQDELA

Application



Order information

Overlay application

Boss		INSERTA		
Hinge	Spring	Colour	Part no.	
CLIP top BLUMOTION	●	NI ONS	71B3590	
CLIP top	●	NI	71T3590	
CLIP top	○	NI	70T3590.TL	
● With spring		NI Nickel plated		
○ Unsprung		ONS Onyx black		

Dual application

Boss		INSERTA		
Hinge	Spring	Colour	Part no.	
CLIP top BLUMOTION	●	NI ONS	71B3690	
CLIP top	●	NI	71T3690	
CLIP top	○	NI	70T3690.TL	
● With spring		NI Nickel plated		
○ Unsprung		ONS Onyx black		

Inset application

Boss		INSERTA		
Hinge	Spring	Colour	Part no.	
CLIP top BLUMOTION	●	NI ONS	71B3790	
CLIP top	●	NI	71T3790	
CLIP top	○	NI	70T3790.TL	
● With spring		NI Nickel plated		
○ Unsprung		ONS Onyx black		

Boss		Screw-on		
Hinge	Spring	Colour	Part no.	
CLIP top BLUMOTION	●	NI ONS	71B3550	
CLIP top	●	NI	71T3550	
CLIP top	○	NI	70T3550.TL	

Boss		Screw-on		
Hinge	Spring	Colour	Part no.	
CLIP top BLUMOTION	●	NI ONS	71B3650	
CLIP top	●	NI	71T3650	
CLIP top	○	NI	70T3650.TL	

Boss		Screw-on		
Hinge	Spring	Colour	Part no.	
CLIP top BLUMOTION	●	NI ONS	71B3750	
CLIP top	●	NI	71T3750	
CLIP top	○	NI	70T3750.TL	

Boss		Knock-in		
Hinge	Spring	Colour	Part no.	
CLIP top BLUMOTION	●	NI ONS	71B3580	
CLIP top	●	NI	71T3580	

Boss		Knock-in		
Hinge	Spring	Colour	Part no.	
CLIP top BLUMOTION	●	NI	71B3680	
CLIP top	●	NI	71T3680	

Boss		Knock-in		
Hinge	Spring	Colour	Part no.	
CLIP top BLUMOTION	●	NI	71B3780	
CLIP top	●	NI	71T3780	

Accessories			
Hinge arm cover cap			
Print stamp	Logo	Colour	Part no.
Plain	–	NI ONS	70.1503
Stamped	Blum	NI ONS	70.1503.BP

Accessories			
Hinge arm cover cap			
Print stamp	Logo	Colour	Part no.
Plain	–	NI ONS	70.1663
Stamped	Blum	NI	70.1663.BP

Accessories			
Hinge arm cover cap			
Print stamp	Logo	Colour	Part no.
Plain	–	NI ONS	70.1663
Stamped	Blum	NI	70.1663.BP

Note

A trial application is recommended when combining CLIP top BLUMOTION hinges and CLIP top hinges with springs on small, light fronts up to 300 mm wide. Combining these is not recommended for wider front widths FB.

Accessories – general

Opening angle stop		
Opening angle	Colour	Part no.
86°	Black	70T3553

Hinge boss cover cap		
Hinge	Colour	Part no.
CLIP top BLUMOTION	NI ONS	70T3504
CLIP top	NI	70T3504
NI Nickel plated	ONS Onyx black	

Chipboard screws		
Ø (mm)	Length (mm)	Part no.
3.5	15	609.1500
3.5	17	609.1700

TIP-ON for doors		
Version	Spring	Part no.
Short version	○	956.1004
Extended version	○	956A1004
Extended version	●	956A1006
● With spring	○ Unsprung	

Hinge boss spacing		
Hinge	Spacing (mm)	Part no.
CLIP top BLUMOTION	1.5	70T3507.21
CLIP top	1.5	70T3507.21

Insertion ram		
Colour	Material	Part no.
Orange	Nylon	MZM.0040

110° hinge

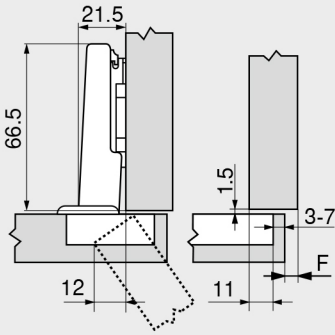
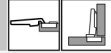
Webcode
DQDELA

Planning

Hinge dimensions and gap calculation based on factory setting (mounting plate spacing = 0 mm)

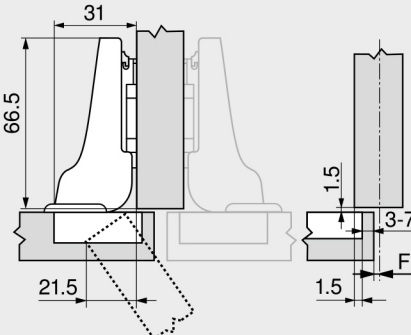
Hinge and front protrusion at full opening angle

Overlay application

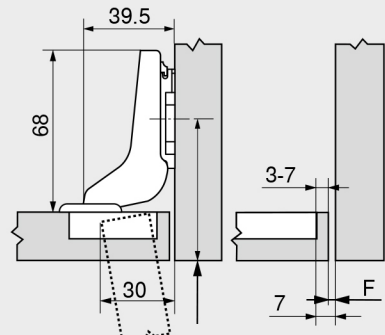
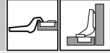


F Gap

Dual application



Inset application



Move back fixing position of mounting plate by front thickness FD +1.5 mm

Drilling distance TB

MD	Front overlay FA (mm)																	
	5	6	7	8	9	10	11	12	13	14	15	16	17	18				
0											3	4	5	6	7			
3											3	4	5	6	7			
6					3	4	5	6	7									
9	3	4	5	6	7													

MD Mounting plate spacing (mm)

MD	Front overlay FA (mm)																	
	-4.5	-3.5	-2.5	-1.5	-0.5	0.5	1.5	2.5	3.5	4.5	5.5	6.5	7.5	8.5				
0																		
3													3	4	5	6	7	
6													3	4	5	6	7	
9													3	4	5	6	7	

MD Mounting plate spacing (mm)

MD	Front overlay FA (mm)									
	-7	-6	-5	-4	-3	-2	-1	0		
0										
3										
6										
9										

MD Mounting plate spacing (mm)

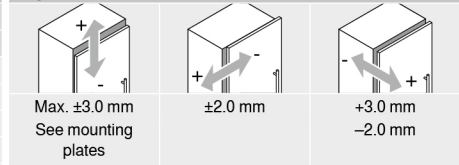
Minimum gap F for fronts with a front radius (R = 1 mm) based on the factory setting

Drilling distance TB (mm)	Front thickness FD (mm)											
	16	18	19	20	21	22	23	24	25	26	28	30
3	0.5	0.8	1.0	1.2	1.5	1.8	2.2	2.7	3.5	4.3	Δ	Δ
4	0.5	0.8	1.0	1.2	1.4	1.7	2.0	2.5	3.1	3.8	Δ	Δ
5	0.5	0.8	0.9	1.2	1.4	1.7	2.0	2.4	2.9	3.4	Δ	Δ
6	0.5	0.8	0.9	1.2	1.3	1.6	1.9	2.3	2.7	3.2	Δ	Δ
7	0.5	0.8	0.9	1.1	1.3	1.6	1.9	2.2	2.6	3.0	Δ	Δ

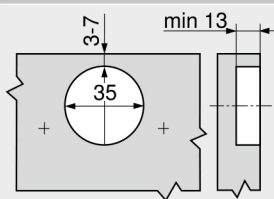
Additional for +2 mm side adjustment
+0.2 +0.4 +0.4 +0.5 +0.5 +0.5 +0.5 +0.5 +0.5 +0.5 +0.5

Δ In these cases a trial is recommended

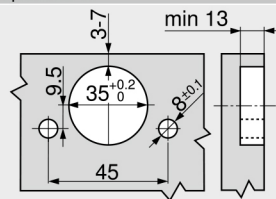
Adjustment



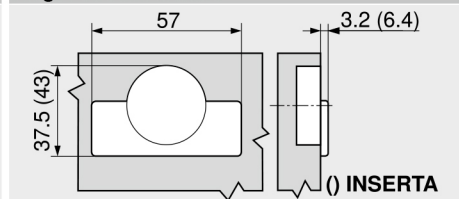
Screw-on



INSERTA | knock-in



Hinge boss dimensions



Page instructions

Overview – CLIP top BLUMOTION CLIP top – hinges	75
Mounting plates	156
Accessories – hinge arm cover cap	164
Accessories – general	166
Overview – BLUMOTION for doors	171

Overview – TIP-ON for doors	185
Overview – assembly devices	561
More technical details	662

Assembly, removal and adjustment

Short-URL
www.blum.com/a210

