



SMALL ROUTER PLANE

Owner's Manual

Record the invoice number and date of purchase in your manual for future reference.

Invoice Number:

Date of Purchase:

Small Router Plane Specifications: MTC-10674

Standard Blade Length	6.35mm
Sole Dimensions	97mm x73mm
Weight	425g
Blade Bed Angle	50°
Blade Steel	M2 HSS

Additional Blades

Standard Blade	
Product Code	Width
MTC-11077	6.35mm

Metric Blades	
Product Code	Width
MTC-10681	1mm
MTC-10689	2mm
MTC-10704	3mm
MTC-10711	4mm
MTC-10728	5mm

Imperial Blades	
Product Code	Width
MTC-11039	1/16 inch
MTC-11046	3/32 inch
MTC-11053	1/8 inch
MTC-10711	5/32 inch
MTC-11060	3/16inch



CONTENTS

Introduction.....	6
Melbourne Tool Company.....	6
Section 1: Safety.....	8
General Safety Rules.....	8
Section 2: Component Diagram.....	9
Section 3: Operation.....	10
First Use.....	10
Sharpening Blade.....	10
Setting The Blade.....	11
Using The Router Plane.....	12
Section 4: Maintenance.....	13
Section 5: Troubleshooting.....	14
Ensure The Blade Is Sharp.....	14
Tear-out.....	14
The Plane Is Hard To Push.....	14
Section 6: Warranty.....	15
Melbourne Tool Company Warranty Statement.....	15
Disclaimer.....	16
Manual Accuracy.....	16
Technical Support.....	16

INTRODUCTION

Melbourne Tool Company

The most human thing you can do is make things. And there is no more natural way to-do this than work with wood. Yet wood working is not without its challenges it takes focus and discipline to learn the craft. Good makers stick at it and work hard because nothing else really matters.

Woodworking also requires great tools. Tools that are simple, authentic and accessible. Knowing this led to the creation of the Melbourne Tool Company. Designed and developed in Melbourne Australia, for all you passionate woodworkers out there.

Small Router Plane

The MTC Small Router Plane makes creating small rebates with perfectly flat bottoms a breeze. It has an ergonomic form that is comfortable to use from a variety of angles and an easy-to-sharpen blade. Whether for small box hinges, intricate inlay work, or small-scale joinery, you can rely on the MTC Small Router Plane to improve the accuracy of your work.

Welcome to the MTC family.



SECTION 1: SAFETY

General Safety Rules

For your own safety, please read and understand this instruction manual before installing and operating the tool.

Owner's Manual:

Read and understand this owner's manual before using the tool.

Handle With Care:

Hand tools include sharp blades that will cause serious injury if handled improperly. Dropping the tool will likely cause damage to the tool and anything it lands on, including but not limited to your toes.

Keep the Tool Sharp:

A blunt tool will require excessive force to be used, which greatly increases the chance of injury.

Awkward Positions:

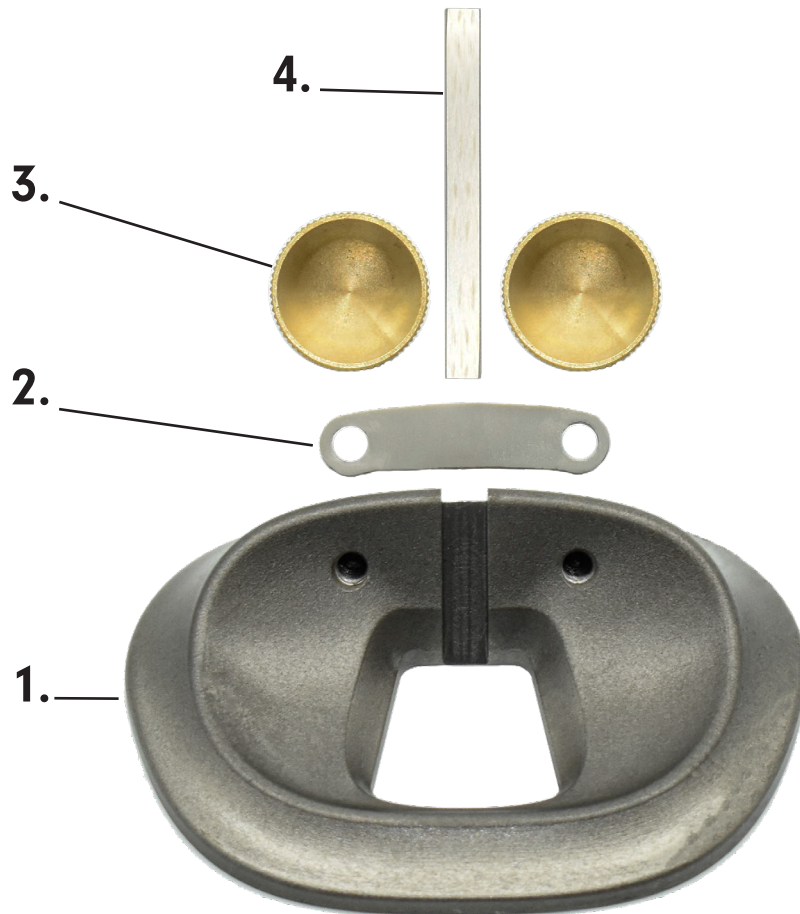
Keep proper footing and balance at all times when using the tool. Arrange the workpiece so that you can bring the tool to the work in a comfortable manner.

Experiencing Difficulties?

If at any time you experience difficulties in performing the intended operation, stop using the tool and consult this owner's manual. For further technical support, please contact support@melbournetool.com or the retailer from which you purchased the tool.

SECTION 2: COMPONENT DIAGRAM

Diagram



1. Body
2. Blade Clamp
3. Blade Clamp Thumbscrew
4. Blade

SECTION 3: OPERATION

First Use

Your router plane ships with a coating of rust-inhibiting oil to ensure it arrives to you in good condition, but this must be removed prior to use.

Remove the blade clamp and use a rag to wipe all components to remove all but the lightest coating of oil.

To ensure the perimeter of the sole is not sharp, place a sheet of Wet & Dry abrasive (approx. P400 grit) on a flat surface and briefly lap the sole of the router plane in a figure-of-eight motion. Protect the sole with a light coating of paste wax after lapping to prevent corrosion.

Assemble the plane, noting the correct orientation of the blade (bevel facing down) and taking care not to damage the edge.

Do not overtighten the blade clamp thumbscrews – they only need 1/8th of a turn or less once the slack is taken out.

Sharpening the Blade

The blade is ground to the correct angle but will require sharpening before use. The back of the blade may also benefit from final flattening.

The blade of the MTC Small Router plane is designed to be sharpened easily, just like a chisel. This is simple to do 'freehand' with a little practice, or you may choose to use a honing guide.

Periodically check the condition of the blade and resharpen as required – A sharp blade is the single biggest factor in enjoying the use of your router plane, and the quality of the surface it produces.

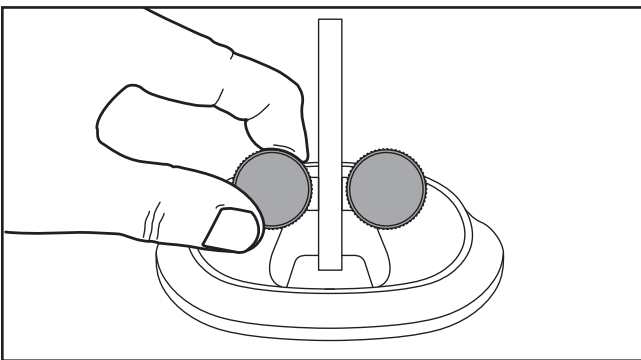
When replacing the blade, check the bed is free from wood shavings and any build-up of wax or oil.

Setting the Blade

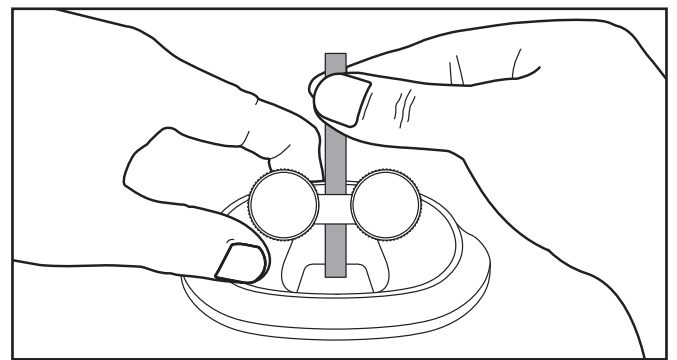
Setting the blade is a very simple process:

- Loosen one of the blade clamp thumbscrews just enough so that adjustments can be made without excessive force.
- Hold the plane so that the blade can protrude below the sole. Pinch the part of the blade that extends out from the top of the plane, and push the blade just below the sole.
- Tighten the blade clamp thumbscrew (do not over-tighten) and take a test cut. Repeat the procedure to advance or retract the blade as necessary.

Loosening Thumbscrew

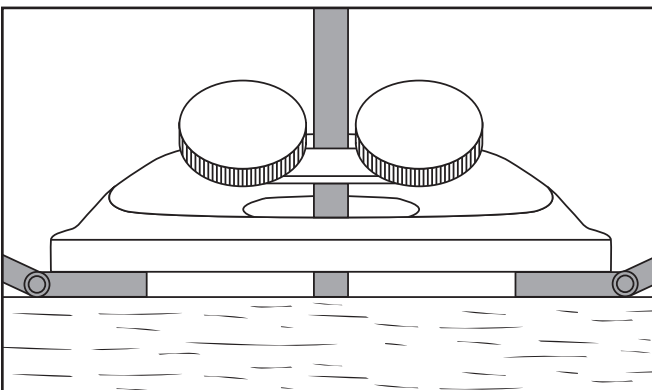


Pinching Blade



- If you are routing a rebate to set something flush (a hinge for example), you can use the hinges and a flat surface to set the depth of cut to match the thickness of the hinge.

Setting Depth of Cut

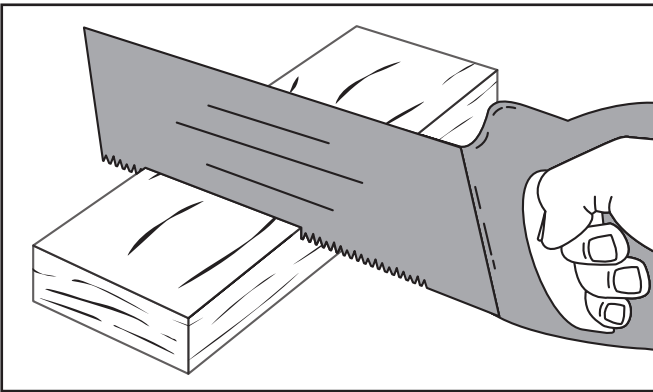


Using the Router Plane

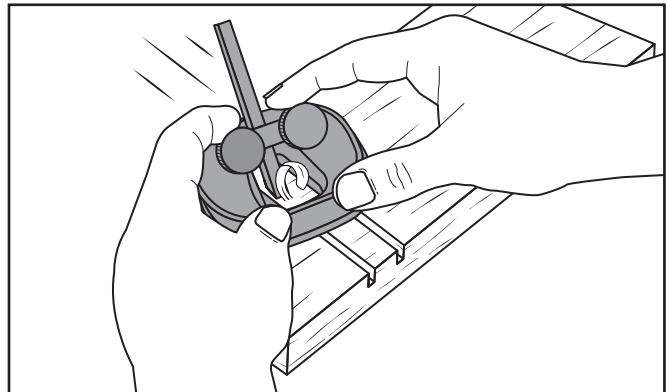
When creating a rebate or housing, the side walls must be established before using the router plane. This can be accomplished either with a chisel, saw, or marking knife depending on the circumstances.

If using a chisel or marking knife, you may need to work in stages - cutting the side walls, removing the waste to that depth. Then cutting the wall deeper using the shoulder you have established to register the knife or chisel.

Sawing Side Walls



Removing Waste With Router



If working across the grain, work from the outside in at the edges to avoid grain 'blow out'.

SECTION 4:

MAINTENANCE

Maintenance

- After each use, disassemble the plane and clean off accumulated dirt, grease, resin and rust, especially from the threads and blade bed. An old toothbrush is ideal for this.
- If the router plane is stored in damp or humid conditions or when overnight temperatures drop significantly, it should be stored wrapped in cloth or in a plane sack.
- A light layer of paste wax with rust inhibiting ingredients is ideal for protecting the raw metal parts of the plane. Alternatively, a light machine oil can be applied. In either case ensure that any excess is removed leaving only a very light coating on the tool.
- It is a good idea to also wipe off finger marks after use to minimise the chance of surface rust.

SECTION 5: TROUBLESHOOTING

Ensure the blade is sharp

The first step of any troubleshooting is to ensure that the blade is sharp. If sharpening the blade does not resolve the issue please see below for further suggestions.

Tear-out

Tear-out occurs when the wood splits ahead of the blade. The blade then acts as a wedge and removes chunks rather than shavings.

- Ensure the side walls of the housing have been established before using the router plane
- Ensure you work from the outside of the board inwards to avoid 'blowing-out' the edge
- Reduce the depth of cut: it is much quicker and more enjoyable to take a greater number of lighter passes
- Skew the plane and take a slicing cut
- Work with the grain as much as practical – the plane is designed to be comfortable to both push and pull.

The plane is hard to push

- Retract the blade slightly to take a lighter cut
- Lubricate the sole with light oil or an old candle.

SECTION 6: WARRANTY & SUPPORT

Melbourne Tool Company Warranty Statement

The metal parts of this Plane carry a Limited Warranty against manufacturing defects. The warranty does not cover modifications, willful misuse, accidental damage, or damage arising from the owner's failure to reasonably maintain the product.

Non-metal parts carry a two-year warranty against defects. The warranty does not cover modifications, willful misuse, accidental damage, or damage arising from the owner's failure to reasonably maintain the product.

If your Melbourne Tool Company product has a warrant-able fault, please contact the retailer that it was purchased from.

Our goods come with guarantees that cannot be excluded under the Australian Consumer Law. You are entitled to a replacement or refund for a major failure and compensation for any other reasonably foreseeable loss or damage. You are also entitled to have the goods repaired or replaced if the goods fail to be of acceptable quality and the failure does not amount to a major failure.

Disclaimer

Customers should ensure that they take all reasonable safety precautions when operating MTC products. MTC will not be held liable to you in respect of any personal injury (including without limitation serious injury or death) that you may suffer or sustain directly or indirectly as a result of the use of products sold by us. Nor will we be liable to you in respect of any other losses arising as a result of any such personal injury.

Nothing in this disclaimer shall: limit or exclude our liability for death or personal injury resulting from negligence, limit or exclude our liability for fraud or fraudulent misrepresentation, limit any of our liabilities in any way that is not permitted under applicable law, or exclude any of our liabilities that may not be excluded under applicable law.

Manual Accuracy

We have made every effort to be exact with the specifications, instructions, drawings, and photographs in this manual. Our policy of continuous improvement can sometimes mean that sometimes the machine you receive is slightly different to that shown in the manual.

If you find this to be the case, and the difference between the manual and the product leaves you confused or unsure about something, check the retailer's website for an updated version. Alternatively, you can contact us directly at **support@melbournetool.com**

Technical Support

If you have a question about your MTC product that isn't covered in this manual, please email us directly at **support@melbournetool.com**

Notes:



MELBOURNE

TOOL COMPANY

www.melbournetool.com