

# TQB

TQB Brands Pty Ltd



# Wheel & Suspension

**TQ TRADEQUIP**  
*the trusted brand in equipment*

**TQB**  
Trusted by serious professionals

**BORUM**  
INDUSTRIAL WORKSHOP EQUIPMENT



## Coil Spring Compressor Kit

Product Code: 1250

The TradeQuip Coil Spring Compressor Kit is suitable for both macpherson strut coil springs and conical springs. The 3 interchangeable jaws and shoe sizes allow for endless strut/coil combinations including conical springs for most non-commercial vehicles. Fitted with a safety overload system that ensures protection for users and yoke protectors, which stop the springs from being damaged. Supplied in durable blow mould plastic carrying case for safe and secure storage.

**NOTE:** Not Recommended for coil springs with a coil diameter of more than 16mm

**UNDER NO CIRCUMSTANCES IS AN IMPACT WRENCH TO BE USED ON THIS SPRING COMPRESSOR**

### Features

- Features a heavy duty, shielded screw body for optimal strength and safety
- Forged steel jaws with protection sheaths
- Includes three interchangeable sheath sizes to support various coil spring diameters
- Professional set supplied in a blow mould storage case

### Specifications

- Operating capacity: 65–215mm
- Maximum Load: 9800Nm
- Maximum Spring Size: 16mm Diameter
- Main body with 21mm hex. dr. and safety overload pin
- 1 Main Body, 1 Extended Bracket, 3 Pairs of Jaws
- 1 Pair of 1.45kg User Range: 80 - 115mm
- 1 Pair of 2.2kg User Range: 110 - 150mm
- 1 Pair of 2.3kg User Range: 140 - 195mm
- Overall length: 450mm
- Weight: 16kg
- Carton: 540 x 440 x 240mm

### Intended Use

For regular professional dismantling and re-assembly of passenger car spring coils.

**TQ TRADEQUIP**  
the trusted brand in equipment



**MADE FOR THE TRADE**



### About the brand

Our Flagship brand of garage and workshop equipment, TradeQuip is designed for use in a demanding garage and workshop environment by trade users. With proven and trusted "Made for the Trade" reliability, TradeQuip branded products offer the very best in performance for an affordable price. The TradeQuip range is covered by a 12 month trade use warranty.

## Coil Spring Compressor Stand



Product Code: 1221T

The TradeQuip "Made for the Trade" Strut Spring Compressor Stand has been specially designed jaws to adjust up-down for clamping the spring tightly, safely, and securely. Specifically designed for dismantling macpherson strut shock absorber assemblies fitted to passenger cars. The fast and safe compressing action is assured for most strut coil springs when used with the safety locking guard.

This durable Hydraulic Spring Compressor Stand is the perfect solution for busy mechanical repair workshops. It supports a maximum load capacity of 1,000kg and can be easily set up in quick time. The compressor features strut spring yokes that adjust and secure the strut spring during operation. The upper yoke bracket slide provides multiple height adjustment with 7 height positions. The foot pedal operated hydraulic ram unit allows for a quick and easy release. This is the perfect piece of equipment to safely compress and remove strut coil springs for replacement or repair.

This Strut Spring Compressor Stand is specifically designed to safely dismantle strut springs and strut assembly components and is adjustable to handle a wide variety of passenger vehicle strut spring sizes. (Is not suitable for some 4WD applications).

### IMPORTANT:

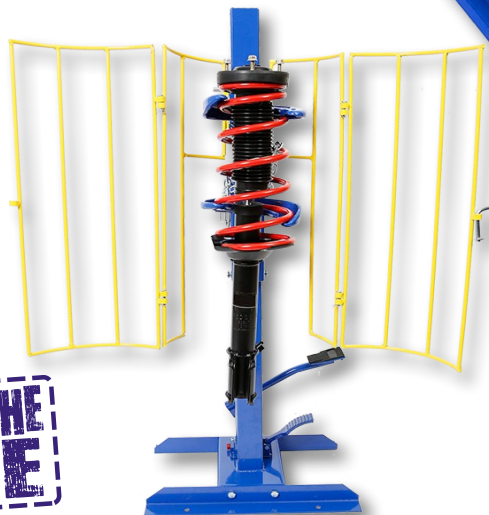
IT IS RECOMMENDED TO CONSULT THE VEHICLE MANUFACTURERS SPECIFICATION OF ANY SPRING PRIOR TO ATTEMPTING TO COMPRESS THE SPRING AND ENSURE THAT THE SPRING DOES NOT EXCEED THE MAXIMUM SAFE WORKING CAPACITIES OF THE SPRING COMPRESSOR.

### Features

- Hands Free foot operated hydraulic action with quick release
- Smooth, long stroke hydraulic actuator
- Includes two sizes of spring yokes 100mm - 158mm
- Adjustable spring yokes hold the strut spring very securely.
- Fitted with Safety Guard

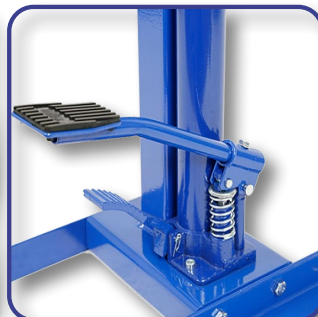
### Specifications

- Spring Coil Diameter: 10-16mm (Never exceed maximum of 16mm)
- Compression Length: 210-570mm (Never exceed maximum of 570mm)
- Maximum Spring Pitch: 110mm
- Strut Tube Diameter: 100-160mm
- Maximum Stroke: 315mm
- Safety Guard Inner Diameter: 360mm
- Dimensions: 1180x510x680mm
- Net Weight: 36kg
- Carton: 1190 x 290 x 220mm



### Intended Use

For regular professional dismantling and re-assembly of passenger car macpherson strut spring coils.



### About the brand

Our flagship brand of garage and workshop equipment, TradeQuip is designed for use in a demanding garage and workshop environment by trade users. With proven and trusted "Made for the Trade" reliability, TradeQuip branded products offer the very best in performance for an affordable price. The TradeQuip range is covered by a 12 month trade use warranty.



## Truck Wheel Lifter Dolly - 750kg



Product Code: **BTWD750**

This Borum Industrial Truck Wheel Lifter is designed for the removal, installation and transportation of single, tandem and duplex truck tyre and wheel combinations. Hydraulically activated lift arms handle wheel assemblies up to 400mm frame with tilt feature that aligns lift arms with spindle angle. Three ball bearing mounted castor wheels provide positive stability and easy maneuverability. Bearing mounted lift arms easily rotate vehicle rim for bolt pattern alignment.

Ideal for a variety of professional workshop applications and in particular suited to heavy vehicle servicing, this Borum Wheel Lifter allows a single user to remove and replace heavy tyre/wheel assemblies from and onto a vehicle without physical strain. Move tyres from vehicle to changer to balancer and back without any lifting! This ergonomically correct product maintains safety in any heavy vehicle workshop and minimises chances of injury from handling all single, tandem and duplex truck tyre and wheels with ease.

### Features

Hydraulic system actuated to provide smooth, positive power for the removal and installation of single, tandem and duplex tyres and wheels

Heavy duty steel frame tilts to allow precise positioning of truck tyres.

Supports heavy commercial rims and tyres

Rolls easily on quality steel bearing castors

Includes heavy duty chain to keep load secure

Lead-free paint is applied to ensure a long-lasting finish and prevent corrosion

Paint finish is oil, grease and dirt-resistant for easy cleanup

### Specifications

Safe Working Capacity: 750kg

Lift Arm Spread: 533mm (min) to 635mm (max)

Lifting Range: 60 - 275mm

Tilt Range: -2.5 to 10 degrees

Dimensions: 787(L) x 1092(W) x 895(H)mm

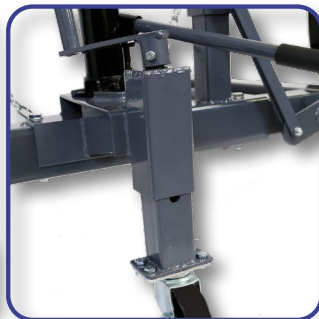
Weight: 70kg

### Intended Use

For the removal and installation of single, tandem and duplex tyres and wheels.



**INDUSTRIAL  
QUALITY**



### About the brand

Our "heavy duty commercial" range of Borum Industrial equipment has been manufactured to exacting standards for the past 34 years. We specify industrial quality components and design to ensure a long and durable working life in commercial transport, mining, earthmoving and railway environments. Our Borum Industrial range of equipment is focused on achieving superior professional standards, reliability, quality, and are covered by a 12 month trade use warranty.

## Giant Bead Breaker - 13,000kg



**Product Code: BTBB13**

The Borum Industrial Hydraulic Giant Tyre/Earthmover Bead Breaker is designed to work on most multi-piece rims 25-51" in diameter with pry bar pockets. Delivers up to 13,000kg of force with up to 10,000psi to break the toughest beads in seconds.

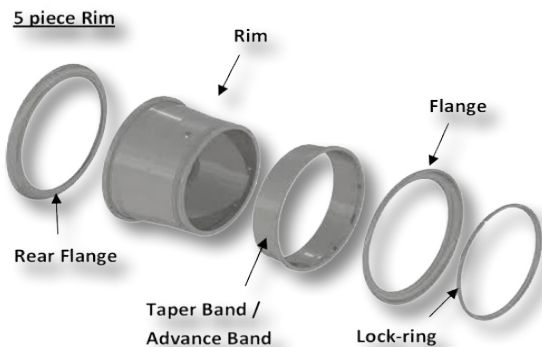
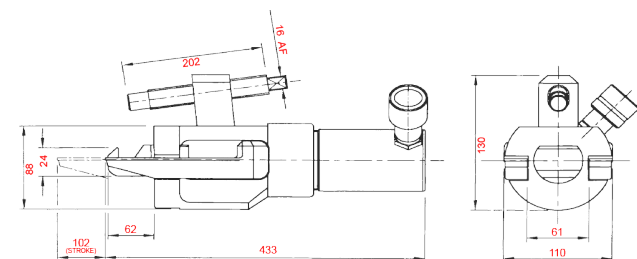
The Borum Giant Bead Breaker is designed to break earthmover tyre beads with multi-piece rims when used with the TradeQuip 2054 10,000psi air/hydraulic pump. The giant bead breaker works directly on the bead of the tyre and will not damage the tyre if used correctly.

### Features

- Economical solution for earthmover wheels 25" – 51" multi-piece rims with pry bar pockets
- Hydraulically clamps on wheel
- Durable steel construction
- Easy to use
- Hydraulic power breaks beads in seconds

### Specifications

- Safe Working Capacity: 13,000kg
- Rated Pressure: 10,000psi
- Suitable for Earthmover Rim Sizes: 25 - 51" Diameter
- Pressure Connection: 3/8" - 18NPTF
- Used on 5-piece rims 635 to 1,295 mm (25" - 51") with pry bar / loosening pockets
- Ram Stroke: 105mm (4-1/4") stroke ram
- Hydraulic Oil Capacity: 500ml
- Weight: 13kg
- Carton: 485x185x130mm



### Intended Use

Designed to be used as an aid in breaking the bead seal between a tyre and its 5 piece wheel rim for the purpose of reseating a bead seal, replacement of tyre or wheel and replacing tyre valves, tyre tubes etc.



### About the brand

Our "heavy duty commercial" range of Borum Industrial equipment has been manufactured to exacting standards for the past 34 years. We specify industrial quality components and design to ensure a long and durable working life in commercial transport, mining, earthmoving and railway environments. Our Borum Industrial range of equipment is focused on achieving superior professional standards, reliability, quality, and are covered by a 12 month trade use warranty.



## Combi Portable Bead Breaker - 5,000kg



Product Code: **BTBB05**

This Borum Industrial Hydraulic Bead Breaker is designed to work on most rims up to 26". It is expressly intended to be used as an aid in breaking the bead seal between a tyre and it's one, two or three piece wheel rim for the purpose of reseating a bead seal, replacement of tyre or wheel and replacing tyre valves, tyre tubes etc. This Borum Industrial Hydraulic Bead Breaker can perform tyre work or tyre replacements without ever removing the wheel from the vehicle. This quality unit is excellent for in-the-field use on agricultural machines.

**INDUSTRIAL  
QUALITY**

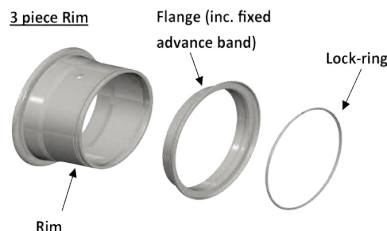
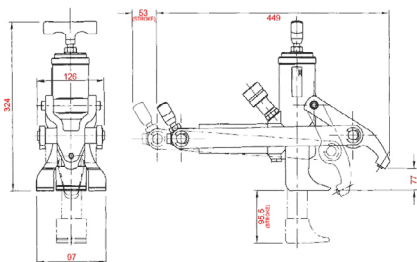
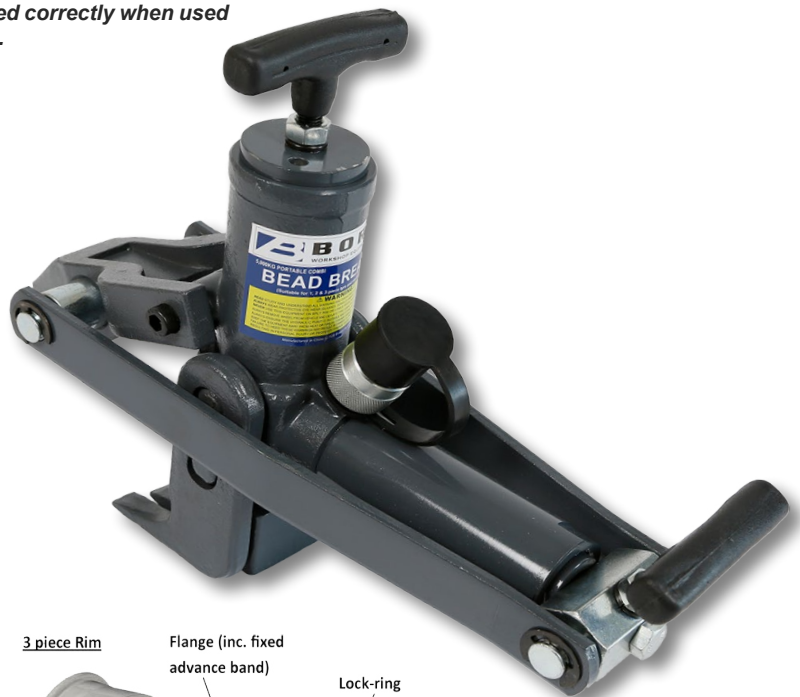
The 2-stage system initially clamps the clamping foot to the rim and then pushes the breaking shoe against the tyre to break the bead without causing bead or rim damage. Works on single, 2-piece or 3-piece truck tyres and rims, including some new style wheels and will not damage the tyre if used correctly when used with the TradeQuip 2054T 10,000 psi Air/Hydraulic Pump.

### Features

- Economical solution for agricultural wheels and 1, 2 and 3piece truck tyre rims
- Hydraulically clamps on wheel
- Durable steel construction
- Clamps to wheel rim & breaks bead simply with up to 5,000kg of force
- Requires 10,000psi air/hydraulic pump (sold separately)
- Most popular tool for breaking beads on most agricultural tyres

### Specifications

- Safe Working Capacity: 5,000kg
- Rated Pressure: 10,000psi
- Maximum Rim Size: 26"
- Ram Stroke: 90mm
- Pressure Connection: 3/8" - 18NPTF
- Hydraulic Oil Capacity: 250ml
- Dimensions: 429x140x324mm
- Weight: 16kg
- Carton: 375x375x155mm



### Intended Use

Designed to be used as an aid in breaking the bead seal between a tyre and it's one, two or three piece wheel rim for the purpose of reseating a bead seal, replacement of tyre or wheel and replacing tyre valves, tyre tubes etc.



### About the brand

Our "heavy duty commercial" range of Borum Industrial equipment has been manufactured to exacting standards for the past 34 years. We specify industrial quality components and design to ensure a long and durable working life in commercial transport, mining, earthmoving and railway environments. Our Borum Industrial range of equipment is focused on achieving superior professional standards, reliability, quality, and are covered by a 12 month trade use warranty.

## Truck Wheel Nut Wrench

Product Code: 8032 and 8033

These TradeQuip "Made for the Trade" Torque Multiplier are ideal for removing/installing wheel nuts on commercial and light commercial vehicles when an air impact wrench is not easily accessible. Supplied in carry-case with rubber gripped handle, 210mm extension for spinning of loosened nut and impact socket. Suitable for Trucks, Buses, RVs and Other Heavy Duty Vehicles. Removing wheel nuts is made simple by the torque multipliers 1:56 ratio, this means every Nm of torque you put in, it puts out 56.

### Features

- Ideal for heavy duty tightening and loosening
- Dramatically increases torque output
- Removing stubborn wheel nuts is made simple
- Suitable for RH & LH wheel studs
- Robust construction for low maintenance and durability
- Convenient reaction foot design for stability
- Packed in carry case

### Specifications - 8032

- Maximum Torque Output: 4800Nm
- Trans-Speed Ratio: 1:56
- Sockets Included: 27mm 38mm
- Handle Extension: 210mm
- Socket Head: 1" Drive
- Weight: 8kg
- Carton: 345 x 200 x 95mm

### Specifications - 8033

- Maximum Torque Output: 4800Nm
- Trans-Speed Ratio: 1:56
- Sockets Included: 27mm 32mm 33mm 41mm
- Handle Extension: 210mm
- Socket Head: 1" Drive
- Weight: 9kg
- Carton 370 x 210 x 100mm
- Sockets are also available individually

**MADE FOR THE TRADE**



### Intended Use

Designed to loosen over-torqued, rusted or corroded nuts from the wheel face/stud.

**TQ TRADEQUIP**  
the trusted brand in equipment



Product Code: 8032



Product Code: 8033



### About the brand

Our Flagship brand of garage and workshop equipment, TradeQuip is designed for use in a demanding garage and workshop environment by trade users. With proven and trusted "Made for the Trade" reliability, TradeQuip branded products offer the very best in performance for an affordable price. The TradeQuip range is covered by a 12 month trade use warranty.



## Digital Brake Rotor Vernier Caliper - 100mm

Product Code: 4025

The TradeQuip "Made for the Trade" Electronic Brake Disc Rotor (Ball Joint) Caliper is perfect for checking wear, thickness and score depth of disc brake rotors. This Professional Electronic Digital tool allows you to measure accurately and quickly. Hardened tips (with one pointed) is perfectly designed to measure scored rotors. The long jaws enable measurements deep into the rotor to achieve a clear profile of the rotor surface and the single conical anvil is perfect for accurately measuring groove depth. Reads to .0005in. with .001in. accuracy that prevents over-machining the brake rotor during the reconditioning process. This "Made for the Trade" caliper has range that a micrometer cannot handle (large rotors in the heavy-duty truck market and large agricultural machinery).

### Features

- Hardened Tips
- Selectable inch or metric readings
- Push Button On/Off
- Specifically designed for performing reconditioning and inspection work on brake rotors
- Pointed (Conical) contact anvil to accurately locate the deepest pits on a brake rotor

### Specifications

- Range: 0-100mm / 0-4"
- Digital Display: 11mm
- Resolution: 0.01mm/0.0005"
- Accuracy: +/- 0.02mm / 0-0.001"
- Jaw reach: 70mm / 2.75"
- Power: 1 x Alkaline button cell LR44 - 1.5v
- Carton: 400 x 320 x 40mm
- Weight: 1kg

### Intended Use

Precisely determines the amount of brake disc wear via quick and easy measurement of brake disc thickness, i.e., the degree of wear. The design of the measuring jaws provides exact measurement even if the disc has a ridge.

**TQ TRADEQUIP**  
the trusted brand in equipment

**MADE FOR THE TRADE**



## Digital Brake Drum Vernier Caliper - 300mm

Product Code: 4046

The TradeQuip "Made for the Trade" Electronic Brake Drum Caliper is perfect for measuring the internal diameter of brake drums and setting the correct brake shoe dimension. Internal jaws for drum measurement, External jaws for shoe setting. With a range of 0-300mm (0-12") this useful tool has a hardened stainless steel frame and measuring jaws, and thumbroll adjustment with a knurled locking screw.

### Features

- Accurately measures wear on brake drums without taking the wheels off
- Zero Setting at any position
- Large LCD screen is easier to read
- Professional quality hardened stainless steel construction
- Precision ground measuring surfaces
- Blowmould protective case

### Specifications

- Range: 0 - 300mm (12")
- Digital Display: 11mm
- Resolution: 0.01mm/0.0005"
- Accuracy: Below 100mm = +/-0.01mm, Between 100 & 200mm = +/-0.02mm Between 200 & 300mm = +/-0.03mm
- Internal Jaws: 48mm, External Jaws: 64mm
- Operating temperature: 5-40°C
- Power: 1 x Alkaline button cell LR44 - 1.5v
- Weight: 1kg

### About the brand

Our Flagship brand of garage and workshop equipment, TradeQuip is designed for use in a demanding garage and workshop environment by trade users. With proven and trusted "Made for the Trade" reliability, TradeQuip branded products offer the very best in performance for an affordable price. The TradeQuip range is covered by a 12 month trade use warranty.

**TQ TRADEQUIP**  
the trusted brand in equipment

**MADE FOR THE TRADE**





## Gear Puller Kit - Hydraulic 23 Piece



**Product Code: 2007**

This versatile TradeQuip Hydraulic Puller Set includes everything you need to pull gears from 20mm to 105mm in diameter. Constructed from heat-treated steel, this durable set is perfect for pulling bearings, timing gears, steering wheels and pulleys on most cars and light trucks. This gear puller set comes in an individually organized carrying case, making it perfect for both the automotive professional or serious DIY enthusiast.

The professional "Made for the Trade" 10,000kg Hydraulic Puller Set is for pulling / removing gears, races, bearings, sprockets and pulleys. For cars, trucks, off-road construction equipment and machinery. Six position multi-function puller with adjustable two or three leg function. Remove bearings, gears, etc. with minimal effort this hydraulic powered puller.

### Features

- Bearing separator
- Main and extensions rods
- 2 or 3 Jaw Operation
- Sturdy Blow Mould Case

### Specifications

- Capacity: 10,000kg
- Bearing Separator: 20-105mm
- Twin/triple head, beam and legs to build: 100, 150 and 180mm
- Two and three leg hydraulic pullers with separator capacity: 75 – 105mm
- Size: 355(L) x 195(W) x 150(H)mm

Replacement Ram: Product Code: 2007-1

Seal Kit: Product Code: 2007-2

### Intended Use

For regular professional dismantling and re-assembly of passenger car when pulling and removing gears, races, bearings, sprockets and pulleys.



### About the brand

Our Flagship brand of garage and workshop equipment, TradeQuip is designed for use in a demanding garage and workshop environment by trade users. With proven and trusted "Made for the Trade" reliability, TradeQuip branded products offer the very best in performance for an affordable price. The TradeQuip range is covered by a 12 month trade use warranty.



TQB Brands Pty Ltd

TQB Brands has grown to become one of the most respected garage equipment suppliers in Australia and markets the recognised leading brands TradeQuip, TQ Pro, Borum and Red Label Nationally through 1000+ distributors. We offer an extensive range of products including Garage & Workshop, Industrial, Agricultural and Vehicle Service Equipment. We continually strive to introduce new and innovative garage and workshop tools and equipment for the professional, which comply with mandatory Australian Standards. TQB Brands aims to achieve great value for money whilst not compromising on quality. TQB Brands prides itself on offering fit for purpose product through our tiered brand offerings.



Our **Flagship** brand of garage and workshop equipment, **TradeQuip** is designed for use in a demanding **garage and workshop** environment by trade users. With proven and trusted **"Made for the Trade"** reliability, **TradeQuip** branded products offer the very best in performance for an affordable price. The **TradeQuip** range is covered by a **12 month trade use warranty**.



Our **"heavy duty commercial"** range of **Borum Industrial** equipment has been manufactured to exacting standards for the past **34 years**. We specify industrial quality components and design to ensure a long and durable working life in **commercial transport, mining, earthmoving and railway** environments. Our **Borum Industrial** range of equipment is focused on achieving superior professional standards, reliability, quality, and are covered by a **12 month trade use warranty**.



**LATEST APPLIED TECHNOLOGIES**

**TQ Pro** top quality Tools and Equipment are designed and manufactured for specialist professional use in a garage and workshop environment. **TQ Pro** products are strong, reliable, and well finished for the **expert tool user** who appreciates professional design, reliability, and attention to detail. Covered by our **12 month trade use warranty**, our **TQ Pro** Tools & Equipment are made with pride to deliver the best combination of professional performance, presentation, and reliability.



Our price competitive range of tools & equipment is offered under the brand **"Red Label"**. This short range of popular products, offers a **"Great Price"** whilst maintaining 'fit for purpose' quality assurance standards. Not designed to withstand everyday use, **"Red Label"** branded products are covered by a **1 year domestic use warranty** and a **3 month trade use warranty**.