

# Owners Manual

Product Code: 1046T

**MADE FOR THE  
TRADE**

**TQ TRADEQUIP**  
the trusted brand in equipment

**OIL DRAINER  
SELF EVACUATING**



#### Specifications:

- Tank Capacity: 65 Litres
- Drain Pan Capacity: 18 Litres
- Drain Pan Catchment Opening: 500(L) x 300(W)mm
- Maximum Telescopic Height: 1650mm
- Minimum Height: 1080mm
- Air Inlet: 1/4"
- Working Pressure: 0.5 - 0.8 bar (4-7psi)
- Ball Bearing Castor Wheels for easy maneuverability
- Dimensions: 1650(H) x 600(L) x 390(W)mm
- Nett Weight: 23kg
- Carton: 750 x 425 x 540mm
- Gross Weight: 25kg

#### About the Tradequip brand

The 'Tradequip' brand of workshop equipment, is designed for use in a demanding workshop environment by professional users. With proven and trusted "Made for the Trade" reliability, 'Tradequip' branded products offer the very best in performance for an affordable price. All backed by a 1year trade guarantee across 1,000+ distributors Australia wide.

**TQ TRADEQUIP**  
the trusted brand in equipment

**TQ PRO**  
Trusted by serious professionals

**BORUM**  
INDUSTRIAL WORKSHOP EQUIPMENT

**WARNING**

**IMPORTANT: READ ALL INSTRUCTIONS BEFORE USE**



**WARNING**

The instructions and warnings contained in this manual should be read and understood before using or operating this equipment. Do not allow anyone to use or operate this equipment until they have read this manual and have developed a thorough understanding of how this equipment works. Failure to observe any of the instructions contained in the manual could result in severe personal injury to the user or bystanders, or cause damage to the equipment and property. Keep this manual in a convenient and safe place for future reference.

Whilst every effort has been made to ensure accuracy of information contained in this manual, the TradeQuip policy of continuous improvement determines the right to make modifications without prior warning.

**CONTENT**

WARNING ..... 2

CONTENT ..... 2

STANDARD OPERATING PROCEDURE ..... 3

ASSEMBLY, OPERATION, PREVENTITIVE MAINTENANCE ..... 4

TROUBLESHOOTING ..... 6

PARTS LIST ..... 7

WARRANTY ..... 8

**STANDARD OPERATING PROCEDURE**

**DO NOT** use this machine unless you have been trained and assessed to a competent level in its safe use and operation, and have been given permission to use this



Safety glasses must be worn when operating this equipment



Long loose hair must be contained when operating this equipment



Safety footwear must be worn when operating this equipment



Close fitting/protective clothing must be worn when operating this equipment

**PRE-OPERATIONAL SAFETY CHECKS**

Save these instructions. For your safety, read, understand, and follow the information provided with and on this **Self Evacuating Oil Drainer** before using.

- Do not extract flammable liquids.
- Do not expose the reservoir to ANY source of heat.
- While extracting high temperature oils, keep hands and face well protected.
- Use eye and hearing protection. Always wear ANSI approved impact safety goggles, full face shield and ANSI approved hearing protection when working with this product.
- Do not exceed the product's working pressure of 0.5bar.
- If the Air Compressor supplies air pressure in excess of 0.5 Bar, an inline air regulator must be used to maintain air pressure at 0.5 Bar.
- Only use on a flat surface capable of supporting the Oil Drainer Extractor and its maximum load.
- Dress safely. Non-skid footwear or safety boots should be used when working with the product. Do not wear loose clothing or jewellery as they can become caught in moving parts wear a protective hair covering to prevent long hair from becoming caught in moving parts.
- Do not allow children in the work area.
- Always secure the wheels and castors in place while operating the Oil Drainer.
- Dispose of oil properly in accordance with all local laws and regulations.
- Never leave unit unattended when operating or evacuating.
- Never use near open flame or heat source.
- Always check that valve below funnel is closed before emptying
- Always disconnect air supply after emptying.
- Never use unit for handling highly volatile fuels and fluids.
- Use only the nozzle assembly provided.
- Never fill the tank over the maximum level given by the level indicator.
- Observe work area conditions. Keep area well light.
- Use the right product for the job. There are certain applications for which the oil extractor was designed. Do not modify the oil extractor and do not use the oil extractor for a purpose other than it is intended.
- Check for damaged parts. Before using any product, any part that appears damaged should be carefully checked to determine that it will operate properly and perform its intended function. Check for any broken or damaged parts and any other conditions that may affect its operation. Replace or repair damaged or worn parts immediately.
- When servicing, use only TradeQuip identical replacement parts. Use of any other parts will void the warranty. Ensure the Oil Drainer is disconnected from air before servicing.
- Use the right product for the job. There are certain applications for which the Oil Drainer was designed. Do not modify the Oil Drainer and do not use the Oil Drainer for a purpose for which it was not intended.

**INTENDED USE**

This oil drainer is designed to drain waste oil from engines, gearboxes, differentials of most vehicles.

## ASSEMBLY, OPERATION, PREVENTITIVE MAINTENANCE

### 1. FEATURES

**TradeQuip "Made for the Trade"** mobile waste oil drainers are designed to collect, store and carry waste oil and coolant from the service bay to bulk waste oil storage. Practical design including oversize drain bowls, sight gauges and integrated drain hose minimise the risk of operator exposure and spillage. Reservoirs are available in a range of convenient sizes and equipped for quick emptying with low pressure air.

This 65Litre gravity fed waste portable oil drainer is fitted with a long 2m x 25.4mm discharge hose and has a 18 litre steel telescopic collection pan with an easy to read oil reservoir level indicator. The heavy duty castors make it easy to manoeuvre around the workshop via the chrome plated pull-along handle and discharge is by low air pressure care of the safety relief valve.

### 2. ASSEMBLY

Unpack the product and check the product is in perfect condition and that there are no visible damaged parts. The packaging materials (Polyethylene bags, polystyrene etc.), must be disposed of in an appropriate refuse collection container. These materials must not be left within the reach of children as they are potential sources of danger.

#### 1. Handle Assembly:

Slide the handle (14) into the sockets and lock in place with the bolts (16).

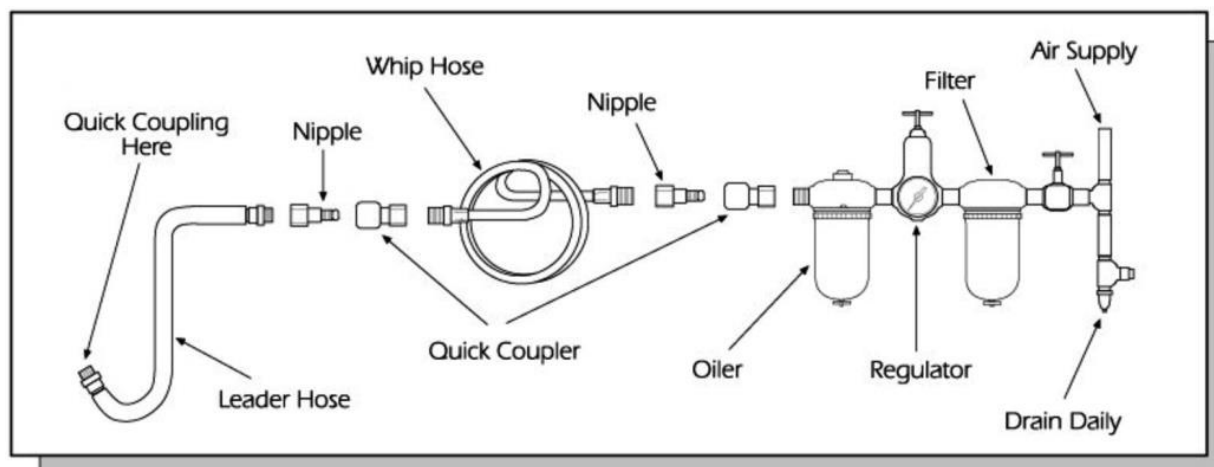
#### 2. Oil Pan and Pipe Assembly:

Attach the oil tray (13) to the connecting pipe (11) and ball valve assembly (12). Wrap the screw thread of oil tray with PTFE thread seal tape and screw up into 1" Ball Valve (12). Screw Rubber Nut (08) onto thread of tank (01) ensure that sealed ring (06) and plastic hoop (07) are fitted. Insert the connecting oil pipe into tank (01). Adjust the height of oil pan to the desired height, screw down Rubber nut (08) and lock tighten loop (10), on pipe using bolts (09).

#### 3. Drain Outlet Hose Assembly:

Attach the emptying hose and in-line ball valve (03) to the tank outlet. Use some PTFE tape (not supplied) on the threads to obtain a good seal. Tighten securely with a suitable size spanner.

#### 4. Typical Air Supply Assembly:



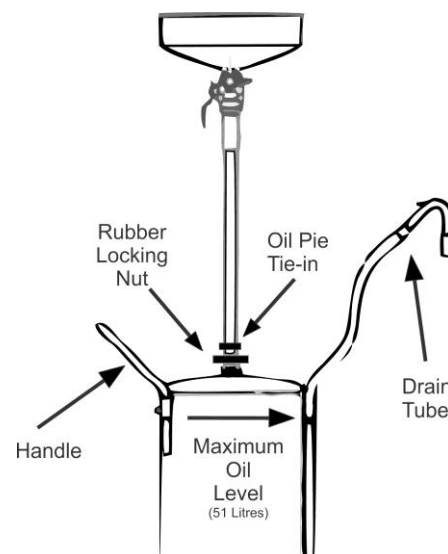
### 3. BEFORE USE

Prior to each use conduct a visual inspection by checking for abnormal conditions, such as cracked welds, leaks, and damaged, loose, or missing parts.

### 4. OPERATION

#### 4.1. TO DRAIN OIL:

With locking rubber nut fully open, set the drain bowl to desired height and lock in place. Then tighten the grub screws on the oil pipe tie in. Drain oil into bowl/tank assembly. Check sight gauge tube on back side of tank frequently. **DO NOT** fill tank above maximum oil level as shown.

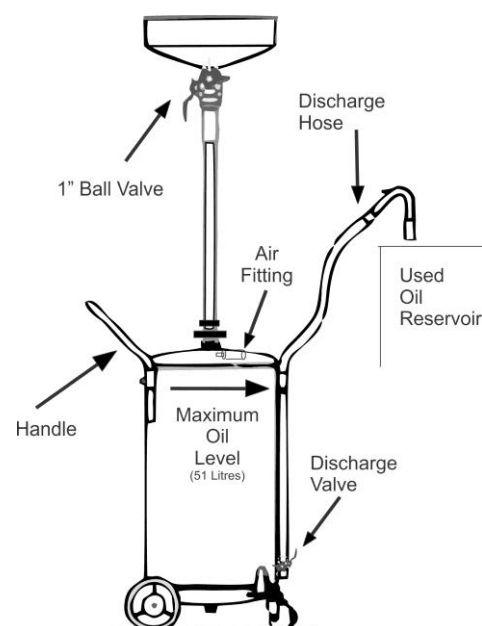


#### 4.2. TO TRANSPORT TANK

Always use the tank handle to transport the tank assembly and ensure the ball valve is fully open.

#### 4.3. EVACUATING WASTE OIL

Evacuate used oil from tank when maximum oil level is obtained. **DO NOT** fill tank above maximum oil level as indicated. Close ball valve fully (valve handle in horizontal position), and place nozzle **SECURELY** into used oil collection reservoir. Connect air to inlet fitting and discharge oil. **MAXIMUM AIR PRESSURE SHOULD NOT EXCEED 11.6 psi**. Open discharge valve on discharge hose. Never leave unit unattended when evacuating oil, immediately disconnect air supply when oil is no longer discharging into reservoir.



**IMPORTANT:** If the Air Compressor supplies air pressure in excess of 11.6psi, an inline air regulator must be used to maintain air pressure at 11.6psi.

**5. INSPECTION**

Prior to each use conduct a visual inspection checking for abnormal conditions, such as cracked welds, leaks, and damaged, loose, or missing parts.

**6. STORAGE**

This Self Evacuating Oil Drainer should always be stored in a dry location on a level surface.

**7. MAINTENANCE**

- Prior to each use ensure pressure relief valve is operating freely.
- Regularly clean tank, in-line ball valve and oil tray.

**8. SERVICE & REPAIR**

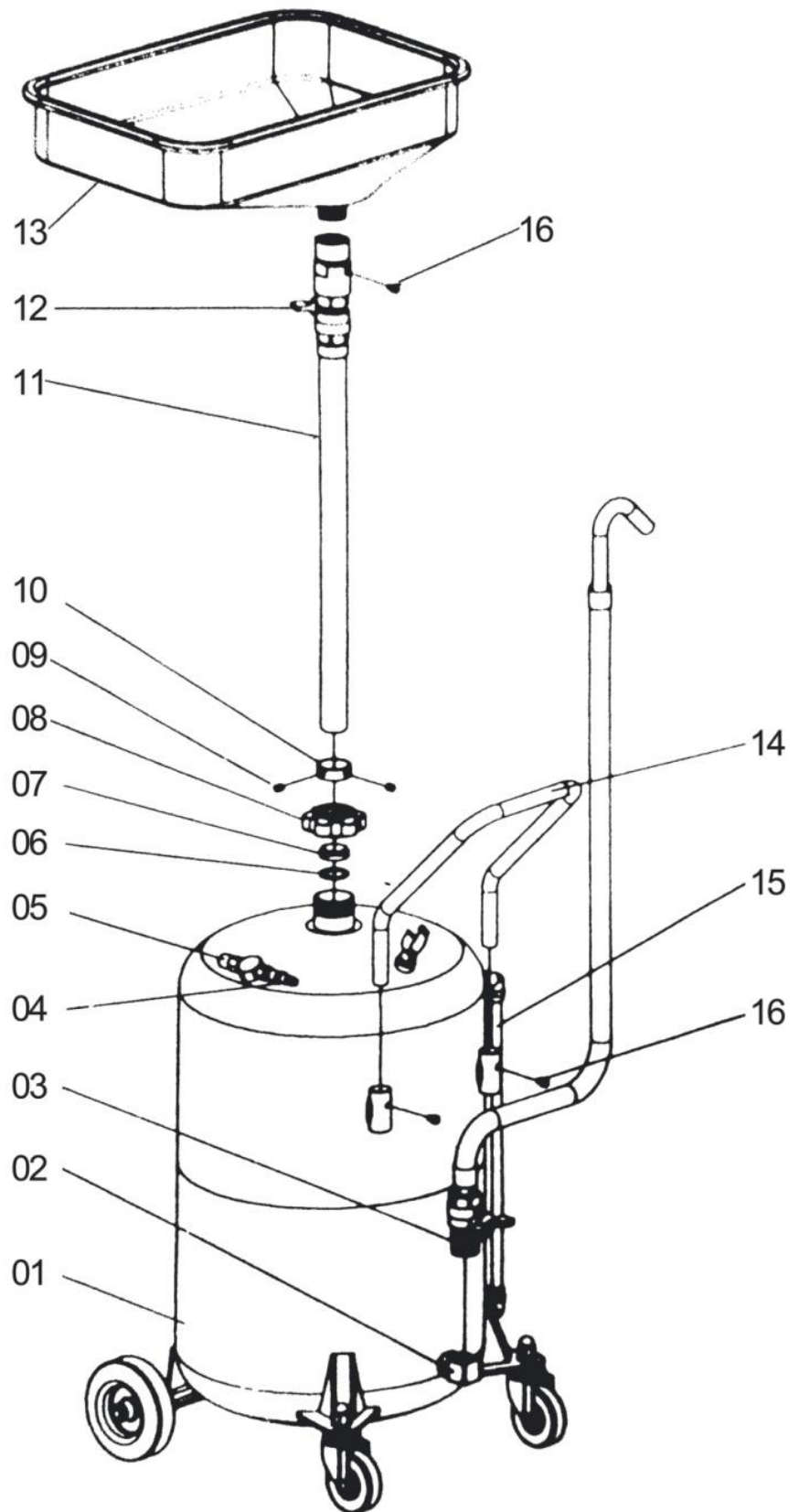
Any TradeQuip Self Evacuating Oil Drainer found damaged in any way, or found to be worn or operates abnormally should be removed from service until repaired by an authorised service agent. Owners and / or operators should be aware that repair of this product may require specialised equipment and knowledge. Only authorised parts, labels, decals shall be used on this equipment. Annual inspection of the Self Evacuating Oil Drainer is recommended and can be made by an authorised repair facility to ensure that your equipment is in optimum condition and that the equipment has the correct decals and safety labels specified by the manufacturer.

**TROUBLESHOOTING**

<b>Problem</b>	<b>Action</b>
Oil does not drain into tank	<ol style="list-style-type: none"> <li>1. Check if ball valve (12) is open</li> <li>2. Check if oil pipe is blocked</li> <li>3. Check if tank is full</li> </ol>
Oil does not self-evacuate	<ol style="list-style-type: none"> <li>1. Check if discharge valve (03) is open</li> <li>2. Check if air pressure delivery is 11.6psi (0.8 Bar)</li> <li>3. Check if pressure relief valve is working correctly</li> <li>4. Check if discharge hose is blocked</li> <li>5. Check if evacuating hose is blocked</li> </ol>

## PARTS LIST

Part #	Description	QTY
1	Tank	1
2	Tie-in Oil Pipe	1
3	1/2" Ball Valve	1
4	Tie-in of Instant Pipe	1
5	Security Valve	1
6	Sealed Ring	1
7	Plastic Loop	1
8	Rubber Nut	1
9	Bolt	2
10	Tighten Loop	1
11	Oil Pipe	1
12	Tie-in of Instant Pipe	1
13	Oil Tray	1
14	Handle	1
15	Oil Ruler	1
16	Bolt	3



## WARRANTY

TradeQuip products have been carefully tested and inspected before shipment and are guaranteed to be free from defective materials and workmanship for a period of 12 months from the date of purchase except where tools are hired out when the guarantee period is ninety days from the date of purchase.

Should the machine develop any fault, please return the complete tool to your nearest authorised warranty repair agent or contact TQB Brands Pty Ltd Warranty team – [warranty@tqbbrands.com.au](mailto:warranty@tqbbrands.com.au).

If upon inspection it is found that the fault occurring is due to defective materials or workmanship, repairs will be carried out free of charge. This guarantee does not apply to normal wear and tear, nor does it cover any damage caused by misuse, careless or unsafe handling, alterations, accident, or repairs attempted or made by any personnel other than the authorised TQB Brands Pty Ltd repair agent.

This guarantee applies in lieu of any other guarantee expressed or implied and variations of its terms are not authorised.

Your TQB Brands Pty Ltd guarantee is not effective unless you can produce upon request a dated receipt or invoice to verify your proof of purchase within the 12 month period.

### Consumer Guarantee

Our goods come with a guarantee that cannot be excluded under the Australian Consumer Law. You are entitled to a replacement or refund for a major failure and compensation for any other reasonably foreseeable loss or damage. You are also entitled to have the goods repaired or replaced if the goods fail to be of acceptable quality and the failure does not amount to a major failure.



All images and illustrations shown are for reference purposes only. All information, specifications and illustrations in this manual are based on the latest information available at the time of publication and are subject to change without notice. The information in this manual is periodically revised to ensure the latest information is included. Download the latest version of this manual and other related technical documentation from [www.tqbbrands.com.au](http://www.tqbbrands.com.au).